

POWER

CYCLONE

UNDER-CABINET

Modern, clean lines provide a perfect complement to any interior, while centrifugal blowers liquefy cooking residue without complex filters to make clean up a snap. Available in black, white and stainless steel finishes.

**ZEPHYR**

ZEPHYRONLINE.COM



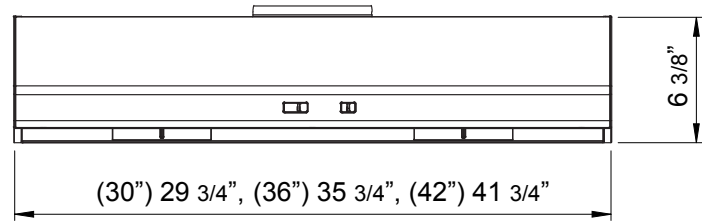
Stainless Steel



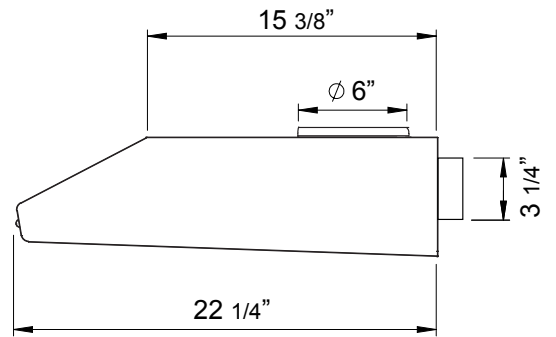
Black



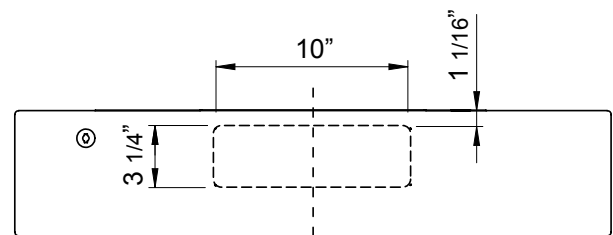
White



Front



Side



C/L

Back

MODEL	AK6500BB	AK6536BB	
Black	AK6500BW	AK6536BW	
White	AK6500BS	AK6536BS	AK6542BS
Stainless Steel			
<b>Size</b>	30" (29-3/4")	36" (35-3/4")	42" (41-3/4")
<b>Blower CFM (Min. - Max.)</b>	290 - 600	290 - 600	290 - 600
<b>Sones (Min. - Max.)</b>	1.5 - 5	1.5 - 5	1.5 - 5
<b>FEATURES</b>			
<b>Controls</b>	Mechanical Slide	Mechanical Slide	Mechanical Slide
<b>Speed Levels</b>	3	3	3
<b>Auto Delay-Off</b>	No	No	No
<b>Lighting</b>	Halogen, 35W x2	Halogen, 35W x2	Halogen, 35W x2
<b>Dual Level Lighting</b>	Yes	Yes	Yes
<b>Removable Safety Grilles</b>	2	2	2
<b>Recirculating Option</b>	No	No	No
<b>Self Cleaning</b>	Yes	Yes	Yes
<b>DUCT SPECIFICATIONS</b>			
<b>Vertical Internal Blower</b>	6" Round or 3-1/4" x 10"	6" Round or 3-1/4" x 10"	6" Round or 3-1/4" x 10"
<b>Horizontal Internal Blower</b>	3-1/4" x 10"	3-1/4" x 10"	3-1/4" x 10"
<b>AC POWER</b>	120V, 60Hz at Max. 2.4A	120V, 60Hz at Max. 2.4A	120V, 60Hz at Max. 2.4A
<b>OPTIONAL ACCESSORIES</b>			
<b>Make-Up Air Kit</b>	MUA006A	MUA006A	MUA006A
<b>MOUNTING HEIGHT RANGE*</b>	24" - 32"	24" - 32"	24" - 32"
<b>WARRANTY</b>	10 years parts, 1 year labor	10 years parts, 1 year labor	10 years parts, 1 year labor

\*Mounting height refers to distance between top of a 36" tall cooking surface and bottom of hood.

# UNIVERSAL MAKE-UP AIR DAMPER

When range hoods exhaust air out of your home, negative air pressure is created unless the exhausted air is replaced by fresh outdoor air. Zephyr's Universal Make-Up Air Damper is designed to balance the air pressure in your home by automatically opening to allow fresh air in while the range hood is operating.

For use with any Zephyr hood operating over 300 CFM.

MODEL	DAMPER SIZE	CFM LEVEL <i>of range hood motor</i>
MUA006A	6" round	up to 600 CFM
MUA008A	8" round	up to 1,000 CFM
MUA010A	10" round	up to 1,200 CFM

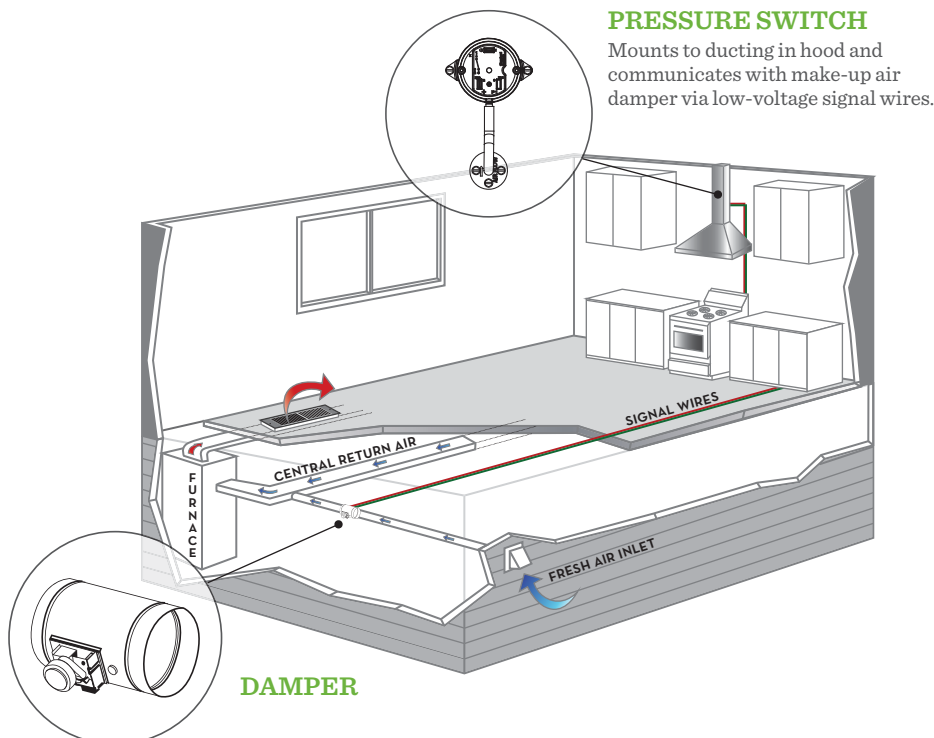
## FEATURES

- 24 VAC, 60 Hz AC motor
- Meets International Residential Code M1503.4
- Automatically opens when range hood is operating
- Automatically closes when range hood is off
- 24-gauge galvanized steel construction
- Adjustment screw to adjust damper opening

## OPTIONAL ACCESSORIES

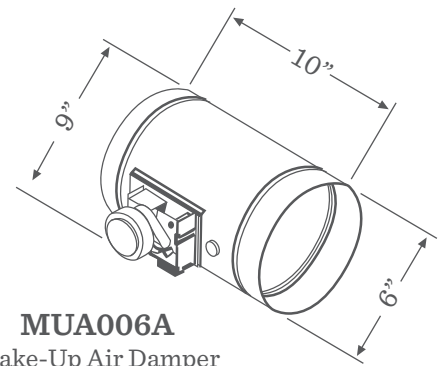
- |         |  |
|---------|--|
| AK00030 | Fresh air inlet cap with screen, 6" round  |
| AK00032 | Fresh air inlet cap with screen, 8" round  |
| AK00052 | Fresh air inlet cap with screen, 10" round |

## Typical Installation

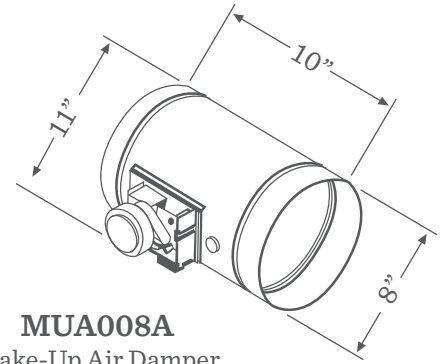


### PRESSURE SWITCH

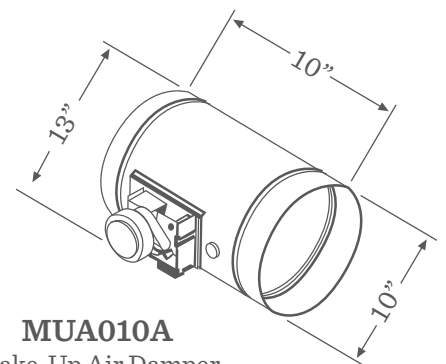
Mounts to ducting in hood and communicates with make-up air damper via low-voltage signal wires.



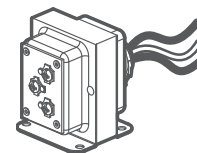
**MUA006A**  
Make-Up Air Damper



**MUA008A**  
Make-Up Air Damper



**MUA010A**  
Make-Up Air Damper

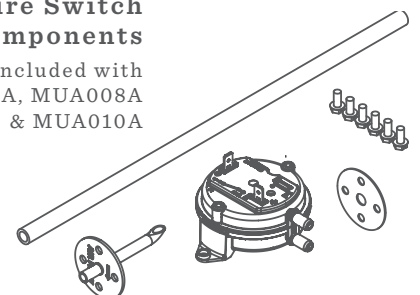


### Transformer

Installs next to damper. Included with MUA006A, MUA008A & MUA010A

### Pressure Switch Components

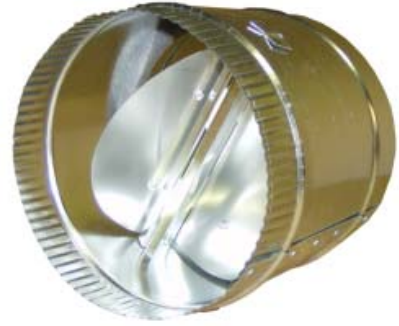
Included with MUA006A, MUA008A & MUA010A



# BACK DRAFT DAMPER

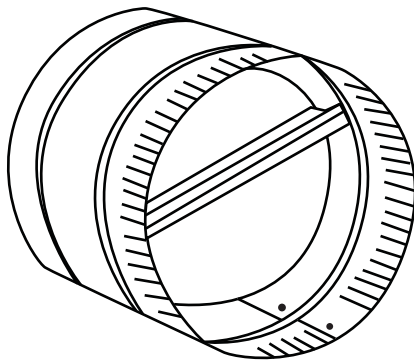
ROUND DAMPER TO PREVENT RETURN-AIR FROM ENTERING KITCHEN

MODEL	DUCT		DIMENSIONS			
	SIZE	A	B	C	D	E
AK00029	6"	6"	6"	2-7/8"	2-7/8"	1/4"
AK00049	7"	7"	7"	3-1/4"	3-1/4"	1/2"
AK00069	8"	8"	8"	3-5/8"	3-5/8"	3/4"

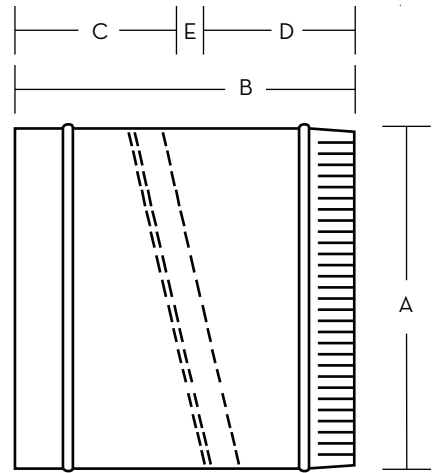


## FEATURES

- Vertical Duct Application
- Galvanized (G-90)
- Foam Seal for Damper Closure
- NOT FOR USE WITH DRYER VENT APPLICATIONS



3/4 View

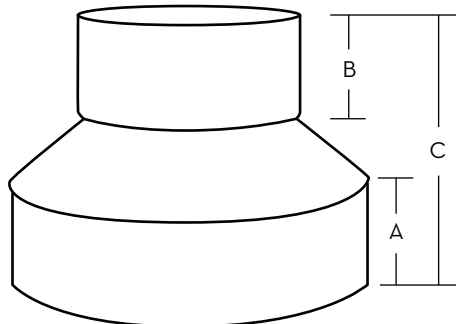


Side View

# TAPERED REDUCER

REDUCES ROUND DUCT SIZE

MODEL	DUCT		DIMENSIONS	
	SIZE	A	B	C
AK00039	7x6"	1-3/4"	1-3/4"	5"
AK00037	8x6"	1-3/4"	1-3/4"	4-3/4"
AK00035	8x7"	1-3/4"	1-3/4"	4-1/4"
AK00040	10x8"	1-3/4"	1-3/4"	5"



Side View



## FEATURES

- Tapered for Best Air Flow
- Galvanized (G-90)

# ROOF CAP EXHAUST, J-VENT

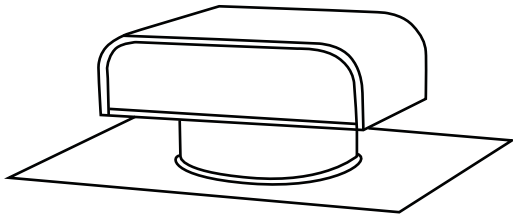
EXHAUST CAP FOR ROUND DUCTING, INSTALLS ON ROOF

MODEL	DUCT SIZE			DIMENSIONS						
	A	B	C	D	E	F	G	H	I	
AK00046	6"	12"	6"	3"	15"	10"	5-1/8"	3-1/4"	1-7/8"	3-1/4"
AK00047	7"	12"	7"	2-1/2"	15"	11"	5-1/8"	3-1/4"	1-7/8"	3-1/4"
AK00048	8"	15"	8"	3-1/2"	15"	12"	5-1/2"	3-1/2"	2"	3-1/4"
AK00050	10"	15"	10"	2-1/2"	20"	16"	6-1/2"	4-1/4"	2-1/4"	3-1/2"

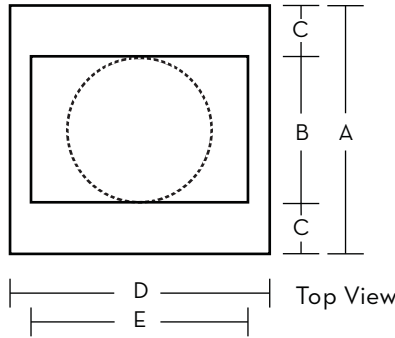


## FEATURES

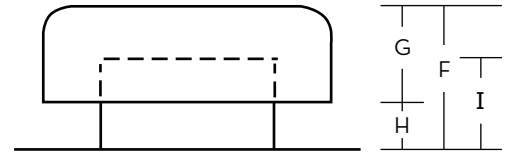
- Low Profile
- Install of Any Roof Pitch
- Mesh Bird Screen
- Galvanized (G-90)



3/4 View



Top View



Side View

# WALL CAP EXHAUST, 3-1/4"x10" RECTANGULAR

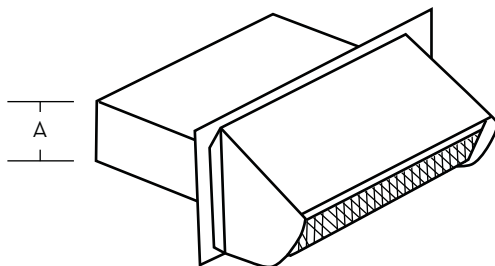
EXHAUST CAP FOR RECTANGULAR DUCTING, PREVENTS RETURN-AIR, INSTALLS ON EXTERIOR WALL

MODEL	DIMENSIONS						
	A	B	C	D	E	F	G
AK00041	3-1/4"	10"	5-5/8"	11"	5"	12-3/4"	9-1/2"

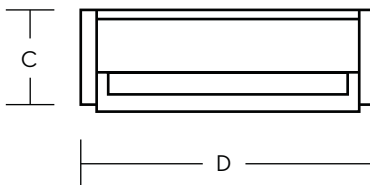


## FEATURES

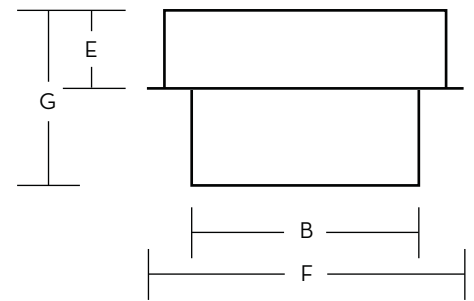
- Aluminum Damper Included
- Mesh Bird Screen
- Rain Proof
- Galvanized (G-90)
- NOT FOR USE WITH INLET VENT APPLICATIONS



3/4 View



Front View



Top View

## WALL CAP EXHAUST, ROUND

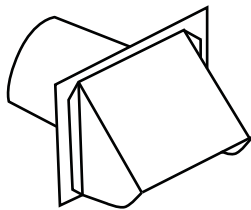
EXHAUST CAP FOR ROUND DUCTING, PREVENTS RETURN-AIR, INSTALLS ON EXTERIOR WALL

MODEL	DUCT			DIMENSIONS					
	SIZE	A	B	C	D	E	F	G	H
AK00042	6"	6"	7-5/8"	8"	1"	8-1/2"	9"	8-5/8"	7-1/8"
AK00043	7"	7"	8-5/8"	9-5/8"	1"	8-1/2"	10-3/4"	9-5/8"	8-1/8"
AK00044	8"	8"	10"	11-5/8"	1-3/4"	8-1/2"	10-3/8"	11-1/8"	10-3/8"
AK00045	10"	10"	12"	13"	1-3/4"	8-1/2"	11-1/2"	13-5/8"	13-7/8"

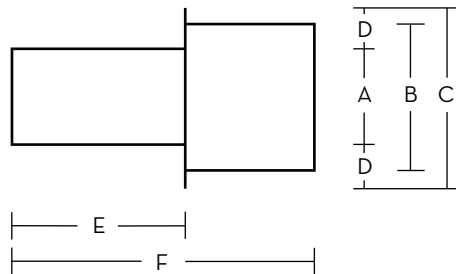


### FEATURES

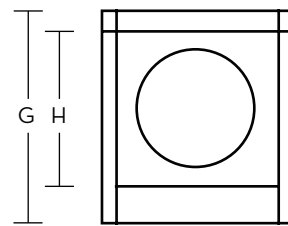
- Aluminum Damper Included
- Rain Proof
- Mesh Bird Screen
- Galvanized (G-90)



3/4 View



Top View



Back View

## WALL CAP INLET, ROUND

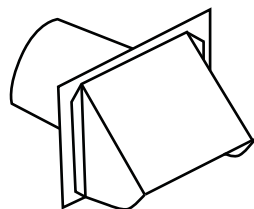
FRESH AIR INLET FOR ROUND DUCTING, COMMONLY USED WITH MAKE-UP AIR KITS

MODEL	DUCT			DIMENSIONS					
	SIZE	A	B	C	D	E	F	G	H
AK00030	6"	6"	7-5/8"	8"	1"	8-1/2"	9"	8-5/8"	7-1/8"
AK00031	7"	7"	8-5/8"	9-5/8"	1"	8-1/2"	10-3/4"	9-5/8"	8-1/8"
AK00032	8"	8"	10"	11-5/8"	1-3/4"	8-1/2"	10-3/8"	11-1/8"	10-3/8"

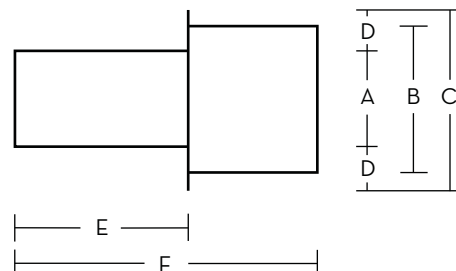


### FEATURES

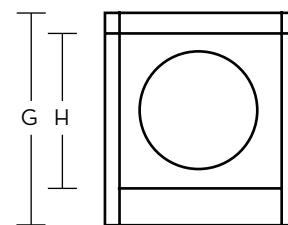
- Mesh Bird Screen
- Galvanized (G-90)
- Rain Proof



3/4 View



Top View



Back View