

## Installation Instructions

IMPORTANT: SAVE FOR THE LOCAL ELECTRICAL INSPECTOR'S USE

Information is subject to change. Please refer to our website to obtain the most current product specification, technical & warranty information.

DGC 6700

DGC 6800


To prevent accidents  
and appliance damage  
read these instructions

**before**

installation or use.

# IMPORTANT SAFETY INSTRUCTIONS

---

 **WARNING** - Read all instructions before installation or use of the steam oven to prevent injury and machine damage.

▶ Before installation make sure that the voltage and frequency listed on the data plate correspond with the household electrical supply. This data must correspond to prevent injury and machine damage. Consult a qualified electrician if in doubt.

▶ Installation, repair and maintenance work should be performed by a Miele authorized service technician. Work by unqualified persons could be dangerous and may void the warranty.

▶ Do not operate any appliance with a damaged cord or plug or if the appliance has been damaged in any manner. Return the appliance to the nearest authorized service facility for examination, repair or adjustment.

▶ Make sure that the outlet is easily accessible after installing the appliance.

▶ This appliance is not to be used in mobile installations, such as ships.

▶ The appliance must be placed so that the content of the cooking pan on the top shelf level can be seen. Only in this way can scalding from spilling hot food and hot water be avoided.

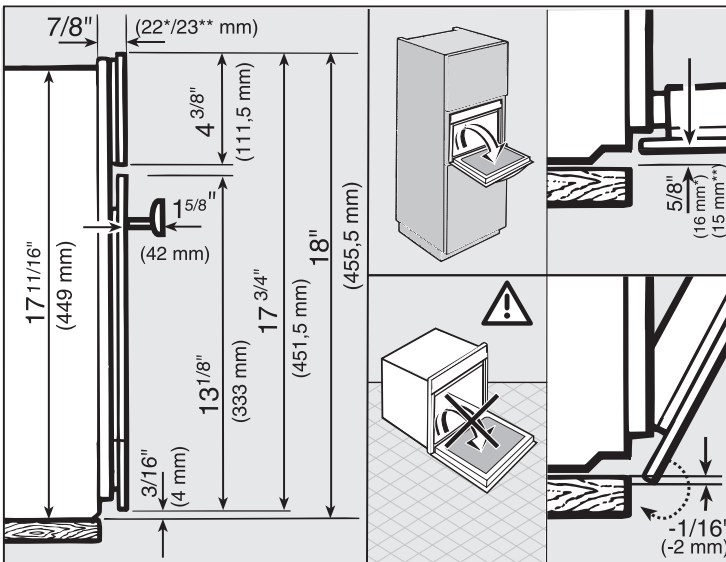
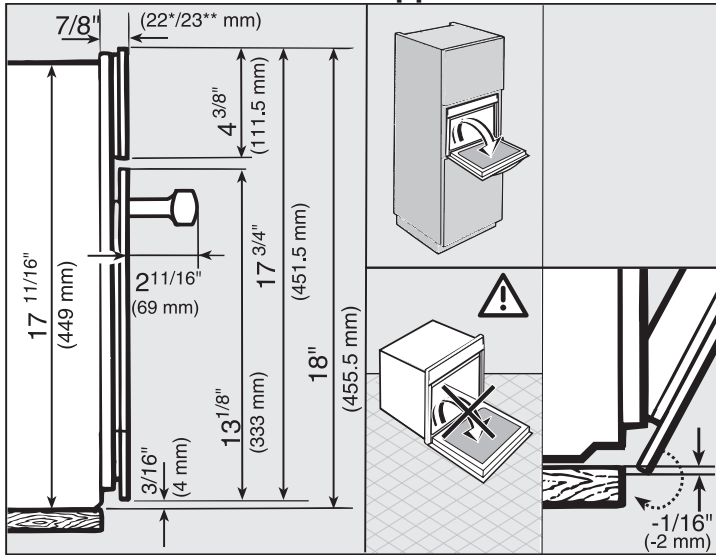
▶ Be certain your appliance is properly installed and grounded by a qualified technician. To guarantee the electrical safety of this appliance, continuity must exist between the appliance and an effective grounding system. It is imperative that this basic safety requirement be met. If there is any doubt, have the electrical system of the house checked by a qualified electrician.

## **Note to the installer:**

Please leave these instructions with the consumer of the appliance for the local building inspectors use.

## **SAVE THESE INSTRUCTIONS**

## Dimension details of the appliance front

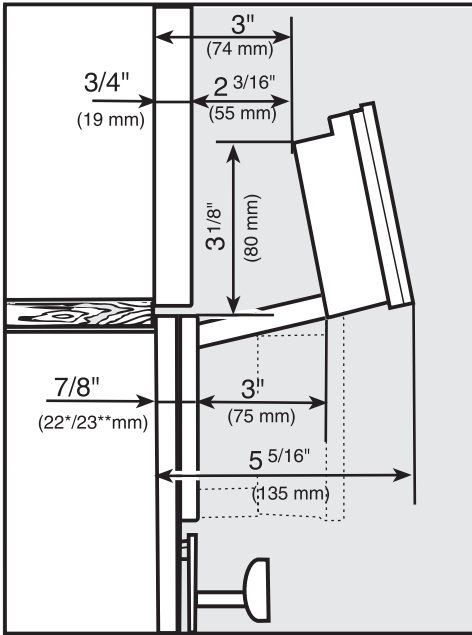


\* Appliances with glass front

\*\* Appliances with metal front

# Installation reference

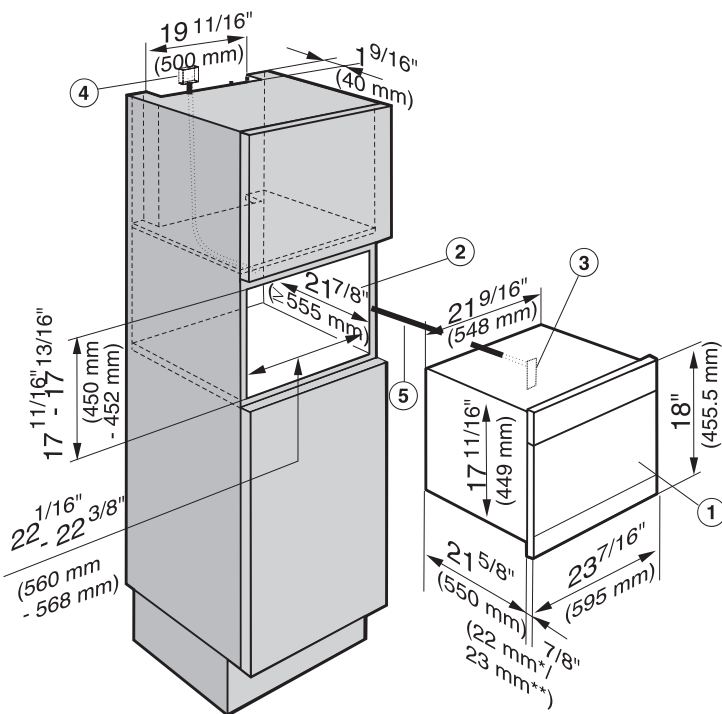
## Control panel swivel range



The area in front of the control panel must not be blocked by anything (such as a door handle) this would hinder the control panel from opening and closing.

# Appliance and installation dimensions

## Wall cabinet installation



- ① Combi Steam Oven
- ② Installation niche
- ③ Power supply to the appliance
- ④ Recommended location for electrical connection
- ⑤ Power cord

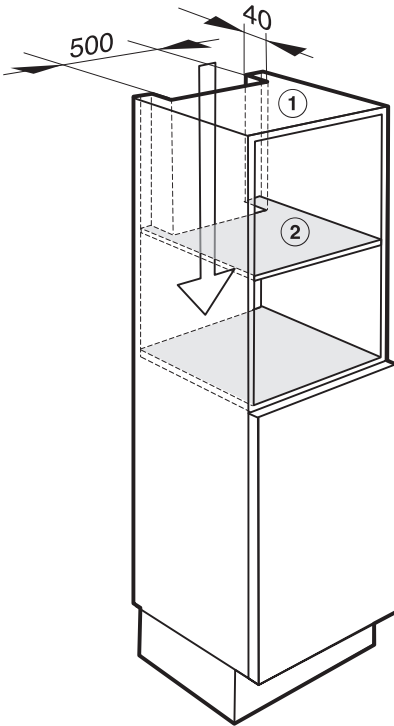
\* Appliances with glass front

\*\* Appliances with metal front

# Appliance and installation dimensions

---

## Cut-outs for venting the Combi Steam Oven



To ensure that the Combi Steam Oven has adequate ventilation, the following cut-outs measuring 19 11/16" x 1 9/16" (500 x 40 mm) must be made:

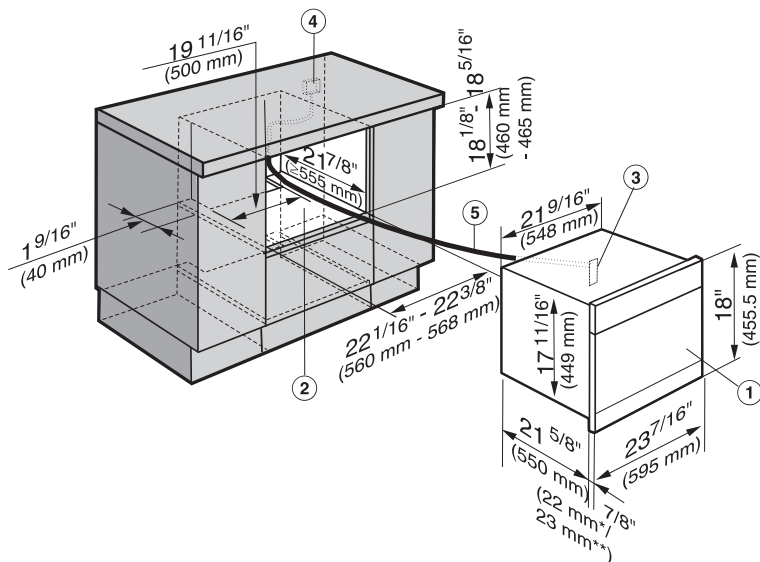
- ① in the top of the cabinet
- ② in the center shelf above the installation niche

The cabinet housing must not have a back panel fitted behind the installation niche.

# Appliance and installation dimensions

## Undercounter installation

If the appliance is to be installed under a cooktop, observe the instructions for installation of the cooktop and its installation height.



- ① Combi Steam Oven
- ② Installation niche
- ③ Power supply to the appliance
- ④ Recommended location for electrical connection
- ⑤ Power cord

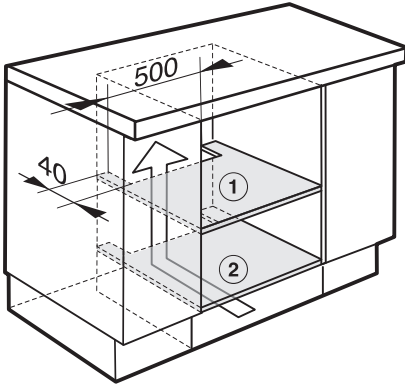
\* Appliances with glass front

\*\* Appliances with metal front

# Appliance and installation dimensions

---

## Cut-outs for venting the Combi Steam Oven



To ensure that the Combi Steam Oven has adequate ventilation, the following cut-outs measuring 19 11/16" x 1 9/16" (500 x 40 mm) must be made:

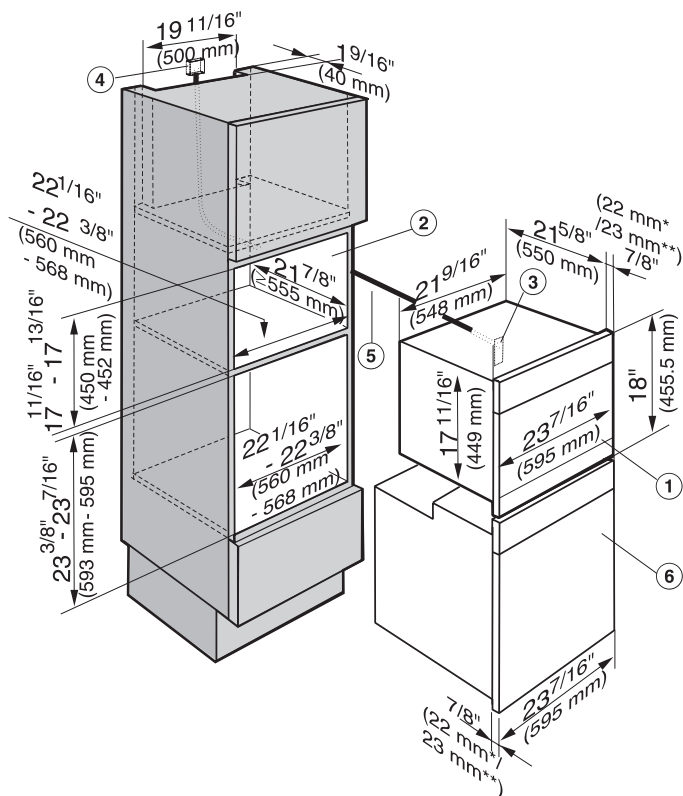
- ① in the appliance support base
- ② in the bottom of the cabinet space below

The cabinet housing must not have a back panel fitted behind the installation niche.



# Appliance and installation dimensions

## Installation in combination with an oven



- ① Combi Steam Oven
- ② Installation niche
- ③ Power supply to the appliance
- ④ Recommended location for electrical connection
- ⑤ Power cord
- ⑥ Oven

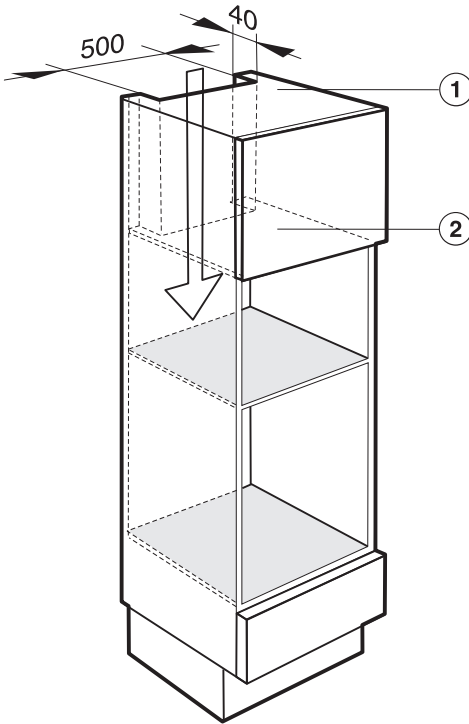
\* Appliances with glass front

\*\* Appliances with metal front

# Appliance and installation dimensions

---

## Cut-outs for venting the Combi Steam Oven



To ensure that the Combi Steam Oven has adequate ventilation, the following cut-outs measuring 19 11/16" x 1 9/16" (500 x 40 mm) must be made:

- ① in the top of the cabinet
- ② in the center shelf above the installation niche

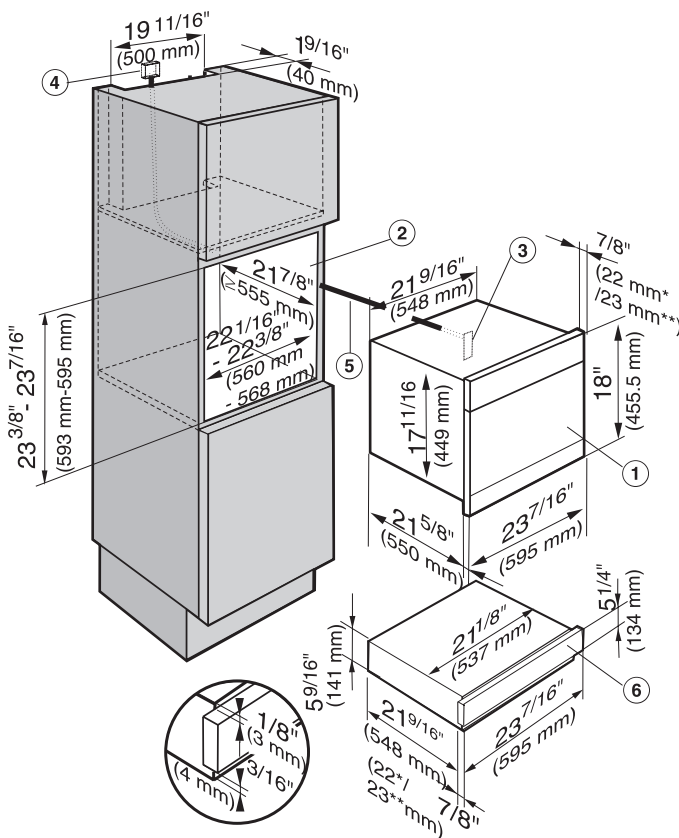
The cabinet housing must not have a back panel fitted behind the installation niche.

Cut-out for venting the oven:

Please refer to the installation instructions for the oven.

# Appliance and installation dimensions

## Installation in combination with ESW 6x14



- ① Combi Steam Oven
- ② Installation niche
- ③ Power supply to the appliance
- ④ Recommended location for electrical connection
- ⑤ Power cord
- ⑥ Warming drawer

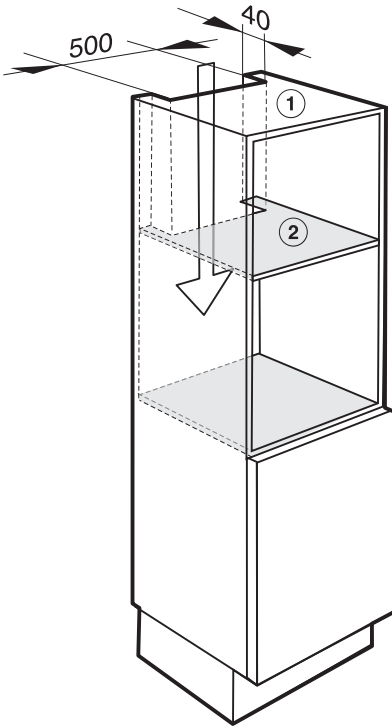
\* Appliances with glass front

\*\* Appliances with metal front

# Appliance and installation dimensions

---

## Cut-outs for venting the Combi Steam Oven



To ensure that the Combi Steam Oven has adequate ventilation, the following cut-outs measuring 19 11/16" x 1 9/16" (500 x 40 mm) must be made:

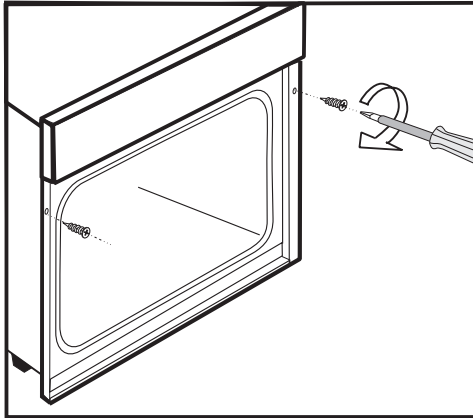
- ① in the top of the cabinet
- ② in the center shelf above the installation niche

The cabinet housing must not have a back panel fitted behind the installation niche.

## Installing the appliance

- Push the appliance into the installation niche and align it.


The appliance must be level, so that the steam generator can operate properly.  
Deviation from the horizontal should not exceed 2°.



- Secure the appliance to the left and right side of the cabinet with the two supplied 1/8" x 1" (3.5 x 25 mm) wood screws.

# Electrical connection

---

 **CAUTION:** Before installation or servicing, disconnect the power supply by either removing the fuse, shutting off the main power or manually "tripping" the circuit breaker.

Installation work and repairs should only be performed by a qualified technician in accordance with all applicable codes and standards. Repairs and service by unqualified persons could be dangerous.

Before connecting the appliance to the power supply, make sure that the voltage and frequency listed on the rating label correspond with the household electrical supply. This data must correspond to prevent appliance damage.

Only operate the appliance after it has been installed.

If there is any question concerning the electrical connection of this appliance to your power supply, please consult a licensed electrician or contact Miele's Technical Service Department.

## Power supply

Installation, repairs and other work by unqualified persons could be dangerous.

- Be sure your electrical supply matches the data plate.

## Power supply

This appliance is equipped with a 5 ft (1.5 m) long power cord with a three-prong grounding plug ready for connection to a 240 V, 20 A, 60 Hz power supply.

Further installation details are on the wiring diagram.

(NEMA 6-20P, 20 amp, 240 VAC, L1, L2, G)

**Installer:**  
**Please leave these instructions with the consumer.**

In the event of a fault which you cannot correct yourself please contact the Miele Technical Service Department at the phone numbers listed on the back of this booklet.

When contacting the Technical Service Department, please quote the model and serial number of your appliance. These are shown on the data plate.

### **MieleCare**

(USA only)

**MieleCare**, our Extended Service Contract program, gives you the assurance of knowing that your appliance investment is covered by 5 years of worry free ownership.

**MieleCare** is the only Extended Service Contract in the industry that guarantees repairs by a Miele Authorized Service Provider using genuine Miele parts. Only genuine Miele parts installed by factory trained professionals can guarantee the safety, reliability, and longevity of your Miele appliance.

Please note that unless expressly approved in writing by Miele's Service department, Extended Service Contracts offered by other providers for Miele products will not be recognized by Miele. Our goal is to prevent unauthorized (and untrained) service personnel from working on your Miele products, possibly doing further damage to them, you and/or your home.

To learn more about **MieleCare** Extended Service Contracts, please contact your appliance dealer or visit us online at:

**<http://mieleusa.com/mielecare>**

# Copyrights and Licenses

---

For the operation and control of the appliance, Miele uses software.

The copyright powers of Miele and other software vendors concerned (e.g. Adobe) are to be respected.

Miele and its suppliers reserve all rights to the software components.

Specifically prohibited are:

- Reproduction and distribution,
- Production of changes and derived items,
- Decompilation, reverse engineering, disassembly and otherwise reducing the software.

This product contains Adobe® Flash® Player software under license from Adobe Systems Incorporated, Adobe Macromedia Software LLC. Adobe and Flash are registered trademarks of Adobe Systems Incorporated.

The software also contains integrated components covered under the GNU General Public License and other Open Source Licenses.

You can obtain an overview of the integrated open source components together with a copy of the license at [www.miele.com/device-software-license\\_en](http://www.miele.com/device-software-license_en) after entering your specific product name.

Miele submits the source code for all components under the GNU General Public License and similar Open Source Licenses licensed software.

To obtain such a source code, please send an e-mail to [info@miele.com](mailto:info@miele.com).



### **Disposal of packing material**

The transport and protective packing materials are environmentally friendly for disposal and may be recyclable.

Ensure that any plastic wrap is disposed of safely and kept out of the reach of children. Danger of suffocation! Danger of suffocation!

### **Disposal of an old appliance**

Old appliances may contain materials that can be recycled. Please contact your local recycling authority about the possibility of recycling these materials.

Before discarding an old appliance ensure that it presents no danger to children while being stored for disposal. Unplug it from the outlet, cut off its power cord and remove any doors to prevent hazards.



Please have the model and serial number of your appliance available before contacting Technical Service.

---



**U.S.A.**  
**Miele, Inc.**

**National Headquarters**

9 Independence Way  
Princeton, NJ 08540  
Phone: 800-843-7231  
609-419-9898  
Fax: 609-419-4298  
[www.mieleusa.com](http://www.mieleusa.com)

**Technical Service & Support**  
**Nationwide**

Phone: 800-999-1360  
Fax: 888-586-8056

[TechnicalService@mieleusa.com](mailto:TechnicalService@mieleusa.com)

**Canada**  
**Miele Limited**

**Headquarters and Showroom**

161 Four Valley Drive  
Vaughan, ON L4K 4V8  
Phone: 800-643-5381  
Fax: 905-532-2290  
[www.miele.ca](http://www.miele.ca)  
[professional@miele.ca](mailto:professional@miele.ca)  
(commercial enquiries)

**MieleCare National Service**

Phone: 800-565-6435  
905-532-2272  
Fax: 905-532-2292  
[customercare@miele.ca](mailto:customercare@miele.ca)  
(general and technical enquiries)



[www.miele-shop.com](http://www.miele-shop.com)

INFORMATION IS SUBJECT TO CHANGE. PLEASE REFER TO OUR WEBSITE TO OBTAIN THE MOST CURRENT PRODUCT SPECIFICATIONS, TECHNICAL & WARRANTY INFORMATION.

DGC 6700 / DGC 6800



en - US, CA

M.-Nr. 09 855 050 / 01