

# SS98NF

## 15" Marine Crescent Ice Maker • Marine Series

### FEATURES & BENEFITS



STAINLESS  
SOLID  
(NO FLANGE)

<b>PERFORMANCE</b>	<ul style="list-style-type: none"> <li>• Uses less than 3 gallons of water to produce up to 25 lbs of ice per day</li> <li>• Up to 25 lbs in ice storage capacity</li> <li>• Crescent ice cube dimensions: 1/2" W x 3/4" H x 1/2" L</li> <li>• On/Off switch is conveniently located on the grille</li> </ul>
<b>INTERIOR/EXTERIOR</b>	<ul style="list-style-type: none"> <li>• No drain required</li> <li>• Zero clearance door swing is field reversible</li> <li>• Standard travel package includes door latch and ice flap, ensuring safe-at-sea storage</li> <li>• Corrosion and UV resistant components</li> </ul>
<b>INTEGRATION</b>	<ul style="list-style-type: none"> <li>• Unit is designed to be built-in or can be freestanding</li> <li>• Accepts a 1/4" custom panel</li> </ul>

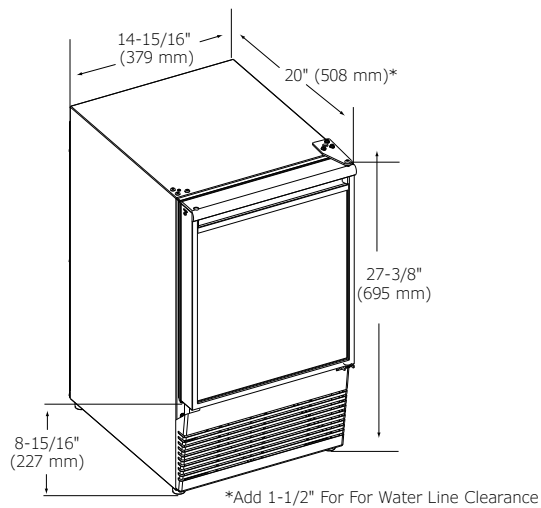
### MODEL DETAILS

Model	Voltage	Door Swing	Finish	Shipping Weight
ULN-SS98NFS-03A	115	Field Reversible (No Flange)	Stainless Solid	74 lbs
ULN-SS98NFS-20A	220 - 240	Field Reversible (No Flange)	Stainless Solid	73 lbs

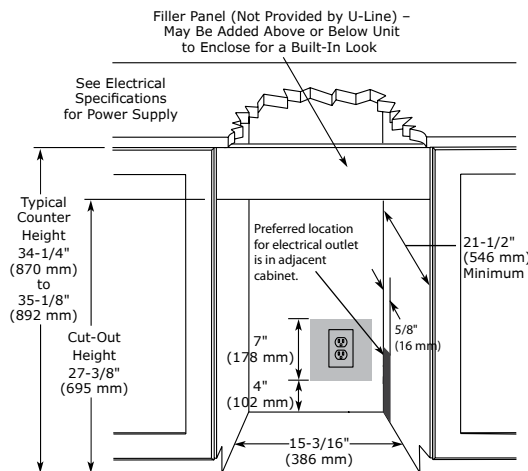
### ACCESSORIES

Model	Description	Finish	Shipping Weight
WATERHOOKUP	Braided water supply line kit	na	2 lbs

### DIMENSIONS



### CABINET CUT-OUT



### INSTALLATION NOTES

No additional clearance around sides, top or rear of unit is needed for ventilation.

Do not obstruct front grille air flow.

### SPECIFICATIONS

Model	SS98NF
Amps: Running (115 v)	2.5
Amps: Running (220 - 240 v)	1.2
Amps: Max Start Up (115 v)	18
Amps: Max Start Up (220 - 240 v)	6
Control Type	On/Off Switch
Defrost Type	Manual
Dimensions: Product Depth	20" / 508 mm
Dimensions: Product Height	27 3/8" / 695 mm
Dimensions: Product Width	14 15/16" / 379 mm
ENERGY STAR	na
Ice Production Per Day	25 lbs
Ice Storage	25 lbs
Product Weight: Max	68 lbs
Refrigerant Type	R134A
Sabbath (Star K Certified)	No

UL listing only applies to 115 v models.

Please visit [u-line.com](http://u-line.com) to view this model's User Guide. All specifications are subject to change without notice.



### ELECTRICAL REQUIREMENTS

This unit requires a grounded a polarized 115 VAC, 60 Hz, 15 A power supply (normal household current).