



Dishwasher

FPID2497RF

24" Built-In



Product Dimensions

Height (Adjustable)	33-3/4" - 35-3/4"
Width	24"
Depth (Including Door)	24-1/4"

More Easy-To-Use Features

PowerPlus™ Dry

Flawlessly finishes dishes so they are cabinet-ready.

PowerSense Technology™

Automatically adjusts the cycle time based on how much cleaning your dishes need.

PowerPlus™ Filtration System

A consistent, reliable clean with a removable stainless steel filter that prevents re-depositing of food particles.

Delicate-Care™ Soft Grips

Holds delicate dishes like glasses in place so they don't move around during the cleaning process.

Multiple Cycle Options

Features a variety of cleaning solutions like Sanitize to help kill germs, Rinse Only to keep food from sticking to plates, and PowerPlus™ Wash to clean crusty dishes with dried-on food.

PowerBright™ Floor Light

Alerts you to when dishes are complete with an LED light that beams on the floor.

Holds up to 14 Place Settings

Wash even more at once with large capacity racks that fit up to 14 place settings in a single load.

Stemware Holders and Fold-Down Tines

Switch between stemware holders and fold-down tines, fold-down tines to fit larger items like pots and pans and stemware holders for securing glasses.

Signature Features



PowerPlus™ 30-Minute Wash

Powerful clean, fast. Washes dishes in a quarter of the time¹.



PrecisionPro Wash Zones™

Target clean hard-to-reach areas of bottles and delicate stemware.



OrbitPower™ Wash Technology

Powerful clean, with 4 times better wash coverage².



Smudge-Proof™

Resists fingerprints and cleans easily.

ENERGY STAR®

NSF® International Certification



Available in:

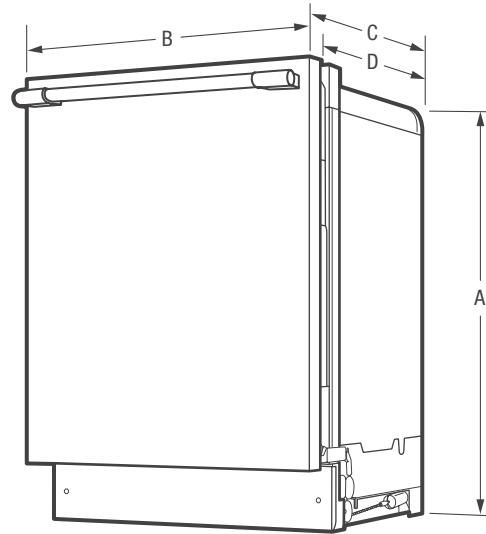


Stainless (F)

¹Compared to the normal cycle on 2014 Frigidaire® dishwasher models.

²Than a traditional lower spray arm.

Features	
Control Design	Fully-Integrated Pro-Select*
Digital Display	Yes
Door Latch/Stay-Put Door Hinge Design	Yes/Yes
Low Rinse-Aid Indicator Light	Yes
Interior Design/Interior Color	Tall Tub/Stainless Steel
Wash System	Direct Feed
Wash Arm	OrbitPower™
Wash Levels/Wash Speeds	5/Variable
PowerSense Technology™	Yes
AquaSurge™ Technology	Yes
Sound Package	SilentDesign™
Filter/Filter Trap	S. Steel/Removable
Soft Food Disposer	
dB Level	47
Drying System	PowerPlus™ Dry
Cycles	
Number of Cycles	7
PowerPlus™ (Heavy)	Yes
Normal	Yes
Light	
Quick Wash (30-Min.)	Yes
Favorite	Yes
China Crystal	Yes
Rinse Only	Yes
Energy Saver Plus	Yes
Upper Rack Wash Only	
Cycle Indicator Light/Control Lock	Yes/Yes
Cycle Complete Floor Beam Indicator	LED
Options	
Heat/No Heat Dry	Yes
Hi-Temp Wash	Yes
NSF® Certified Sanitize Rinse	Yes
Delay Start	1-24 Hour
Rack System	
Rack Design	Deluxe
Rack Coating	Nylon TufRacks™
SpaceWise® Upper Rack -	
Rack Handles	Yes
Delicate-Care™ Soft Grips	Yes
Fold-Down Tines	Yes
Cup Shelves/Stemware Grips	2/6
Versa-Tray™	
Adjustable Rack Height	Yes
Lower Rack -	
SpaceWise® Silverware Basket	3-Piece Split
Fold-Down Tines	2 Full Rows
Small Items Cover	3
Certifications	
ENERGY STAR®	Yes
NSF® International Certification	Yes
Specifications	
Water Inlet Location	Bottom Left
Water Usage (Gallons)	4.0 - 8.0
Water Pressure (PSI)	20 - 90
Integral Air Gap on Supply	Yes
Leveling Legs	3
Power Supply Connection Location	Right Bottom Front
Voltage Rating	120V / 60 Hz / 15A
Connected Load (kW Rating) @ 120 Volts¹	1.44
Amps @ 120 Volts	15
Shipping Weight (Approx.)	75 Lbs.



NOTE: For planning purposes only. Always consult local and national electric and plumbing codes. Refer to Product Installation Guide for detailed installation instructions on the web at frigidaire.com.



Product Dimensions	
A - Height (Adjustable)	33-3/4" - 35-3/4"
B - Width	24"
C - Depth (Including Door)	24-1/4"
D - Depth (To Tub Flange)	22-1/2"
Depth with Door Open 90°	50-1/4"

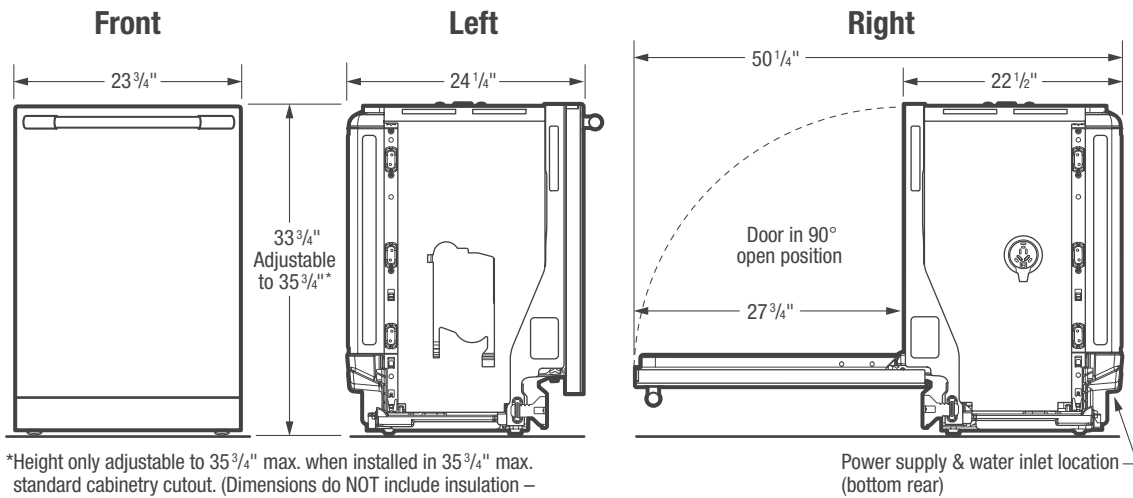
Cutout Dimensions	
Height (Min.)	34"
Height (Max.)	35-3/4"
Width (Min.)	24"
Depth (Min.)	24"

¹For use on adequately wired 120V, dedicated circuit having 2-wire service with a separate ground wire. Appliance must be grounded for safe operation.

Accessories information available on the web at frigidaire.com

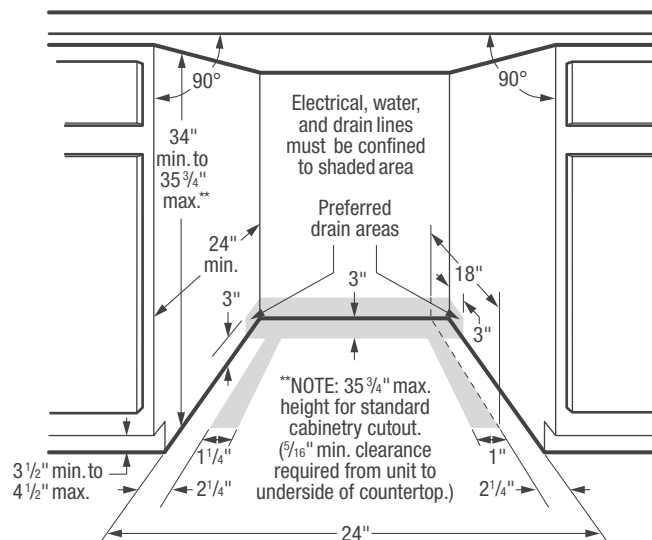
FRIGIDAIRE

USA • 10200 David Taylor Drive • Charlotte, NC 28262 • 1-800-FRIGIDAIRE • frigidaire.com
 CANADA • 5855 Terry Fox Way • Mississauga, ON L5V 3E4 • 1-800-265-8352 • frigidaire.ca



*Height only adjustable to 35 3/4" max. when installed in 35 3/4" max. standard cabinetry cutout. (Dimensions do NOT include insulation – insulation blanket may be compressed during installation.)

Power supply & water inlet location (bottom rear)



Dishwasher Specifications

- Product Shipping Weight (approx.) – 75 Lbs.
- Voltage Rating – 120V / 60 Hz / 15 Amps (maximum 20 Amps if connected with disposer)
- Connected Load (kW Rating) @ 120 Volts = 1.44 kW (For use on adequately wired 120V, dedicated circuit having 2-wire service with a separate ground wire. Appliance must be grounded for safe operation.)
- Amps @ 120V = 15 Amps
- Always consult local and national electric & plumbing codes. Meets requirements of ASSE 1006 – integral air gap on supply.
- Water Pressure – Hot water line to dishwasher must provide between 20 and 90 pounds per square inch (psi) with at least 120° F hot water temperature.
- Make sure location has correct drain, water and electrical outlets to make connections – MUST be confined to shaded areas.
- Electrical and water supplies should enter cabinet opening on floor, or through back or side walls, as shown in shaded areas.
- If connecting drain hose to sink trap, local code may require installation of Air Gap Kit (not included).
- Leveling legs supplied to adjust height. (Note: Height only adjustable to 35-3/4" max. when installed in 35-3/4" max. standard cabinetry cutout. 5/16" min. clearance required from top of unit to underside of countertop. Dimensions do NOT include insulation – insulation blanket may be compressed during installation.)
- When installing adjacent to wall, cabinet or other obstruction that extends beyond front edge of unit, allow 2" minimum clearance between opened door and obstruction.
- Floor should be flat and free of obstructions with carpet removed to provide motor clearance.
- When installing at end of cabinet line, sides and back must be fully enclosed.
- Do not install unit under a cooktop, damage will occur.
- Recommended to seal cabinets, enclosing all sides of dishwasher, including underside of countertop, with oil-based paint or moisture-proof polyurethane to prevent possible steam/moisture damage.

Note: For planning purposes only. Refer to Product Installation Guide on the web at frigidaire.com for detailed instructions.