

EcoFlex Series
Slimline Fully Integrated Dishwasher

DIMENSION SLIMLINE G 4780 SCVi





G 4780 SCVi Features:

- NEW: QuickIntenseWash
- Cutlery tray
- Slimline design
- AutoSensor technology
- 6 wash programs
- Perfect GlassCare system
- China & Crystal program
- Water softening unit
- 46 dBa
- ADA compliant
- 10 place settings
- ComfortClose door

SPECIFICATIONS

G 4780 SCVi - Item 21478062USA

Overall Unit Width	17 ⁵ / ₈ " (448mm)
Overall Unit Height	32 ¹ / ₁₆ " - 34 ² / ₃ " (814 - 880mm)
Overall Unit Depth	22 ⁷ / ₁₆ " (570mm)

Niche

Cabinet Opening Width	17 ¹¹ / ₁₆ " (450mm)
Minimum Cabinet Opening Height	32 ¹ / ₈ " (816mm)
Minimum Cabinet Opening Depth	22 ⁷ / ₁₆ " (570mm)

Plumbing

Water Supply Requirements	May be connected to a cold or hot water supply up to a maximum of 140°F/60°C. Must be connected to a shut-off valve with a 3/4" GHT. The water shut-off valve must be accessible after installation. The water pressure must be between 7.25 psi (0.5 bar) and may not exceed 145 psi (10 bar). If the pressure is higher than 145 psi (10 bar), a pressure reducing valve must be installed. Please see additional information for mounting of the waterproof box.
---------------------------	---

Water Connection Line	4' 11" (1.5m) flexible water intake hose is supplied with a 3/4 GHT connection.
Drain Hose	4' 11" (1.5m) flexible drain hose is supplied.

Electrical

Electrical Requirements - Volts/Amps	110V / 120V, 60Hz, 15 Amps
Power Cord - Plug and length	Yes - NEMA 5-15 plug, 4' (1.2m), Convertible to Hardwire

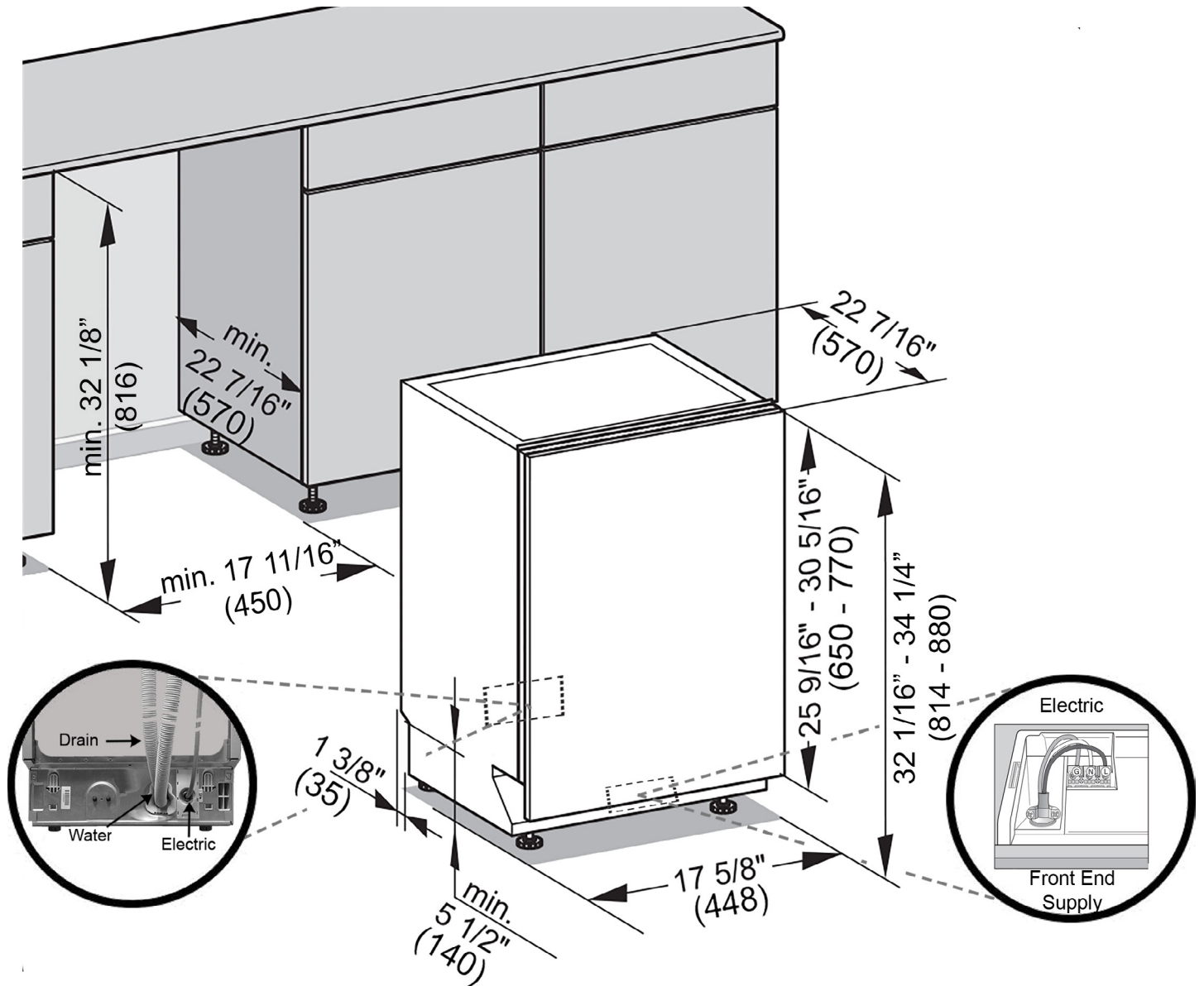
Shipping

Shipping Weight	107 lbs (48.5 kg)
-----------------	-------------------

Support

Call Miele	800.843.7231
Miele Website	🌐www.mieleusa.com
20/20 Link	🌐2020technologies.com

INSTALLATION SPECIFICATIONS



- Drain** - 4 ft 11 in (1.5 m) flexible drain hose.
(Connects from lower center rear)
- Water** - 4 ft 11 in (1.5 m) flexible water intake hose with 3/8" compression fitting.
(Connects from lower center rear)
- Electric** - 4 ft (1.2 m) 120V 15 A 3 wire molded NEMA 5-15 plug power supply.
(Connects via Front End Supply or may be hardwired)

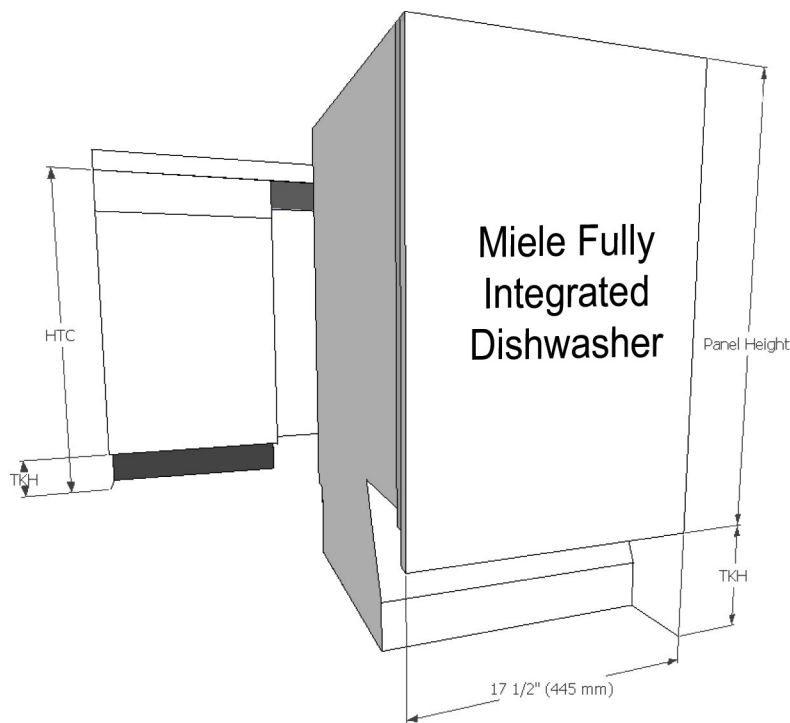
ECOFlex Series

Slimline Fully Integrated Dishwasher



Custom Panel Installation

Some Miele dishwashers do not come equipped with a front panel. These dishwashers are designed to accept a custom door panel supplied by the cabinet maker. Miele has a unique panel integration system which allows the dishwasher to align with the surrounding cabinets.



- Width:** 17 1/2" (445 mm) in all cases
- Thickness:** 3/4" (19 mm) in all cases
- Height:** Determined using the following calculation:
Panel Height = HTC – TKH

- HTC** = Height to the underside of countertop
- TKH** = Toe kick height

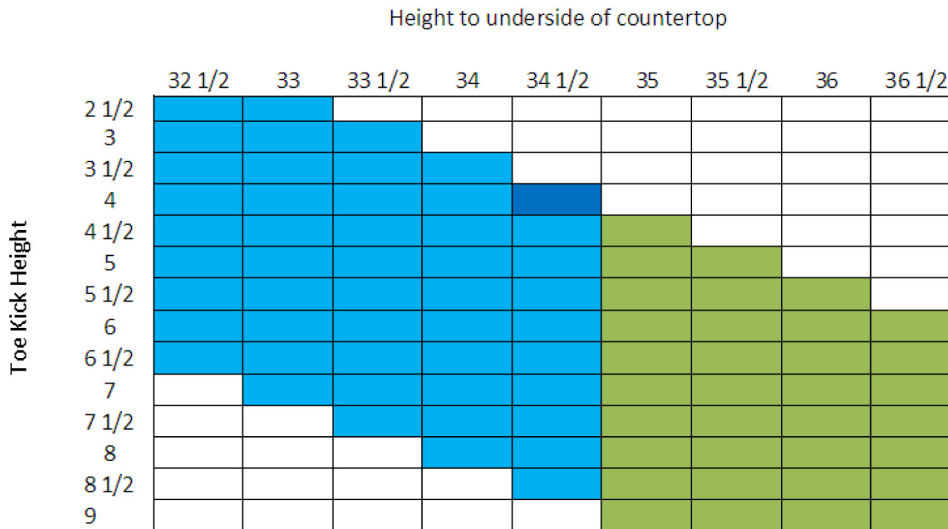
Note: Control panel is along the top edge of the unit. It is not visible when the unit is closed. A handle **MUST** be located on front of panel in order to open unit.

- Maximum panel height:** 30 5/16" (770 mm)
- Minimum panel height:** 25 9/16" (650 mm)
- Maximum panel weight:** 21 Pounds (9.5 kg)

GDU Kit Installations

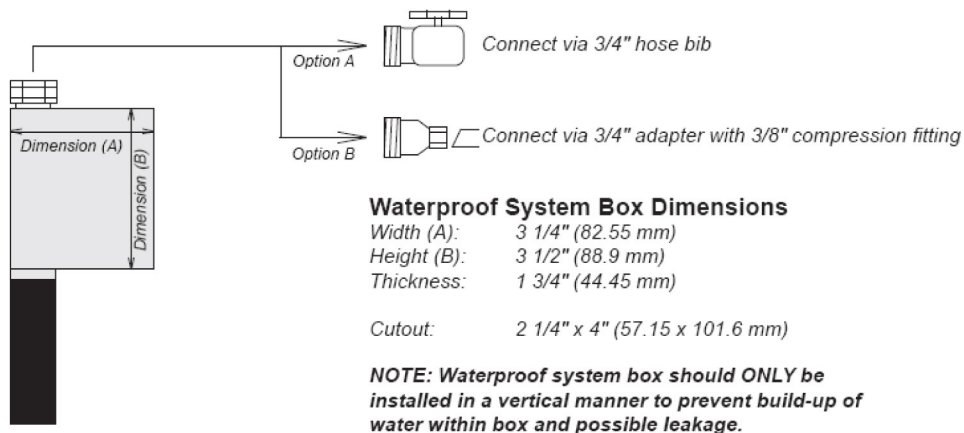
Miele offers pre-fabricated panels for all fully integrated units called DGU kits. These panels are designed for various toe-kick heights and include a black plastic toe kick cover. See Miele Product Brochure for more info.

Acceptable Height Installation



- Acceptable combinations
- Typical American installation
- With extension feet

Water Connection



Waterproof System

Temperature: 110° - 140° F (43° - 60° C)
 Pressure: 4.35 - 145 psi (0.3 - 10 bar)
 Drain hose: 7/8" ID - 5 ft (1.5 m) long