

PureLine  
24" Speed Oven

H 6600 BM



# PureLine Speed Oven H 6600 BM



## H 6600 BM

### Features:

- SensorTronic controls: 5-line TFT display with laterally positioned sensor controls that clearly present menu content
- 19 operating modes
- Rapid Preheat
- Roast probe for perfect roasting results
- MasterChef menu offers over 100 food types to cook to perfection
- Favorites - up to 20 recipes
- 1,000 watt microwave
- Popcorn button
- Minute Plus button - time and power individually programmable
- PerfectClean interior
- Timer
- Sabbath Program
- The simple yet sleek Silhouette handle seems to float enhancing its modern design lines

### SPECIFICATIONS

#### H 6600 BM – Item 22660054USA

|  |   |
|--|---|
| Overall Unit Width - Excluding Fascia Dimension  | 22 <sup>1</sup> / <sub>16</sub> " (560 mm)  |
| Overall Unit Height - Excluding Fascia Dimension | 17 <sup>1</sup> / <sub>2</sub> " (445 mm)   |
| Overall Unit Depth - Excluding Fascia Dimension  | 21 <sup>5</sup> / <sub>16</sub> " (542 mm)  |
| Oven Door Clearance                              | 12 <sup>5</sup> / <sub>16</sub> " (313 mm)  |
| Overall Fascia Dimensions                        | 23 <sup>7</sup> / <sub>16</sub> " (595 mm) W x 17 <sup>15</sup> / <sub>16</sub> " (455 mm) H<br>x 7 <sup>7</sup> / <sub>8</sub> " (22 mm) D |

#### Built-In

|                                |  |
|--------------------------------|--|
| Minimum Cabinet Opening Width  | 22 <sup>1</sup> / <sub>16</sub> " (561 mm) |
| Minimum Cabinet Opening Depth  | 21 <sup>5</sup> / <sub>8</sub> " (550 mm)  |
| Minimum Cabinet Opening Height | 17 <sup>3</sup> / <sub>4</sub> " (450 mm)  |
| Minimum Base Support           | 125 lbs                                    |

#### Electrical

|                         |                                   |
|-------------------------|-----------------------------------|
| Electrical Requirements | 240/208V AC, 60Hz, 20A            |
| Power Cord              | Molded NEMA 14-30 configured plug |
| Electrical Rating       | 2.2kW (240V), 1.76kW (208V)       |

#### Shipping

|                     |   |
|---------------------|---|
| Shipping Weight     | 126 lbs   |
| Shipping Dimensions | 25 <sup>5</sup> / <sub>8</sub> " W (727 mm) x 24 <sup>13</sup> / <sub>16</sub> " (630 mm) H<br>x 27" (686 mm) L |

#### Support

|               |  |
|---------------|--|
| Call Miele    | 800.843.7231   |
| Miele Website | <a href="http://www.mieleusa.com">www.mieleusa.com</a>         |
| 20/20 Link    | <a href="http://2020technologies.com">2020technologies.com</a> |

## HANDLE SPECIFICATIONS

|  |  |
|--|--|
| <p><b>Comfort Handle:</b><br/>Optional with ContourLine<br/>Optional with PureLine<br/>(DS 6708 Item # 09828380)</p> | <p><b>ComfortSwivel Handle:</b><br/>Standard for ContourLine<br/>Optional for PureLine<br/>(DS 6718 Item # 09828390)</p> |
|--|--|

Comfort Handle  
standard on  
H 6100 BM

ComfortSwivel Handle  
standard on  
H 6500 BM  
H 6700 BM

**Silhouette Handle:**  
Standard with Pureline  
Optional for Contourline  
(DS 6808 Item # 09828400)

**Silhouette Handle (Chrome):**  
Standard with BrilliantWhite  
(DS 6808 Item # 09828410)

**Silhouette Handle:**  
Standard with Truffle Brown  
(DS 6808 Item # 09870690)

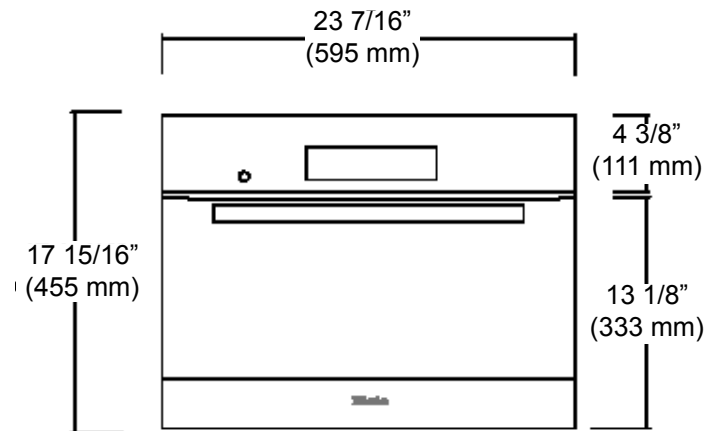
Silhouette Handle  
standard on  
H 6200 BM  
H 6600 BM  
H 6800 BM

# PureLine Speed Oven H 6600 BM

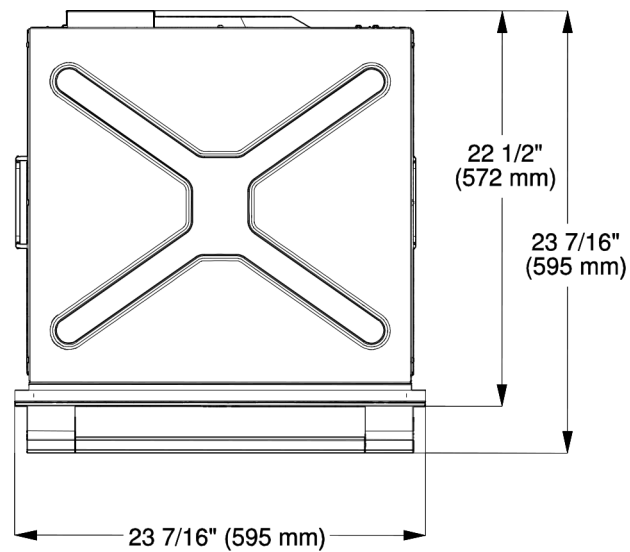


## PRODUCT VIEWS

Fascia



Top View

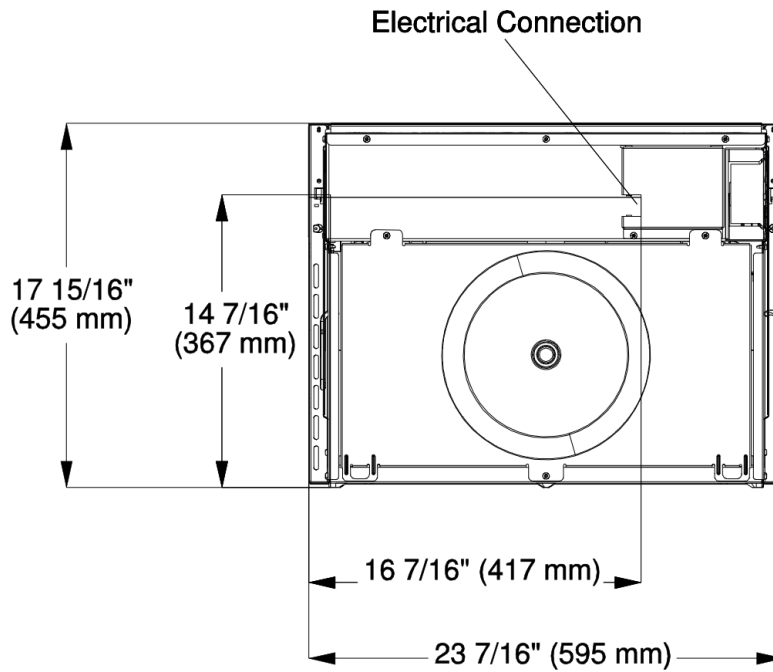


# PureLine Speed Oven H 6600 BM

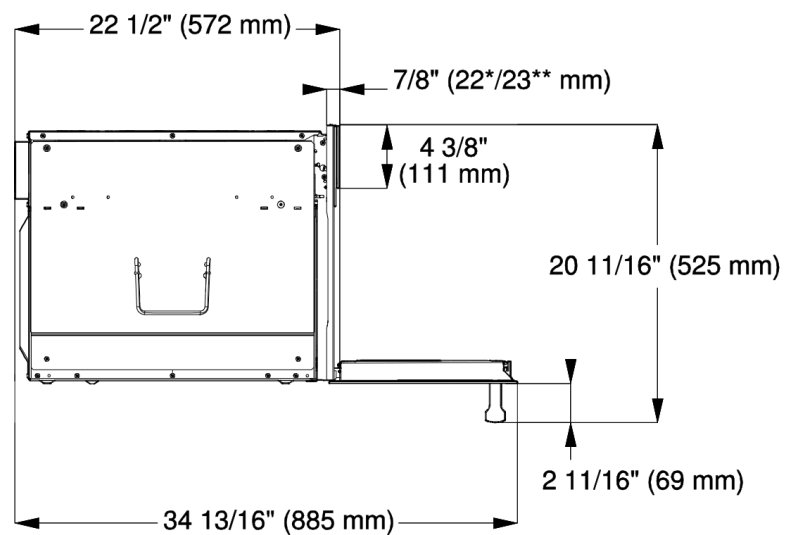


## PRODUCT VIEWS

Rear View



Side View



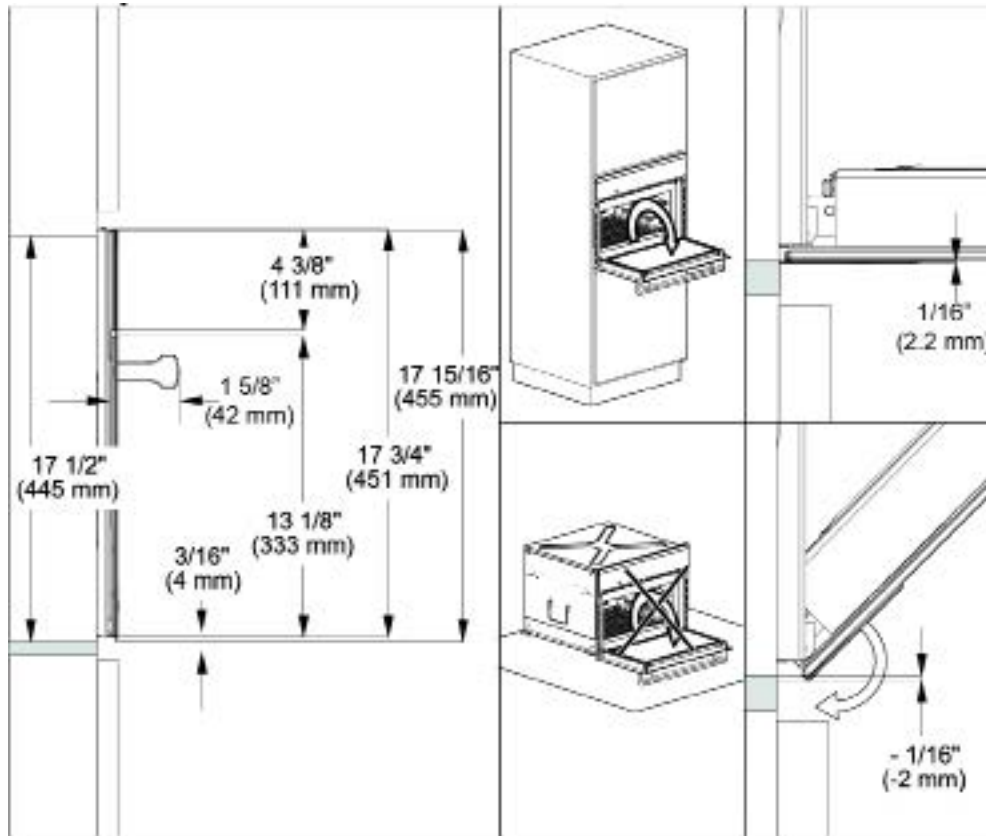
\* Oven with glass frc  
\*\* Oven with metal fr

# PureLine Speed Oven H 6600 BM



## INSTALLATION SPECIFICATIONS

### Door Swing Details

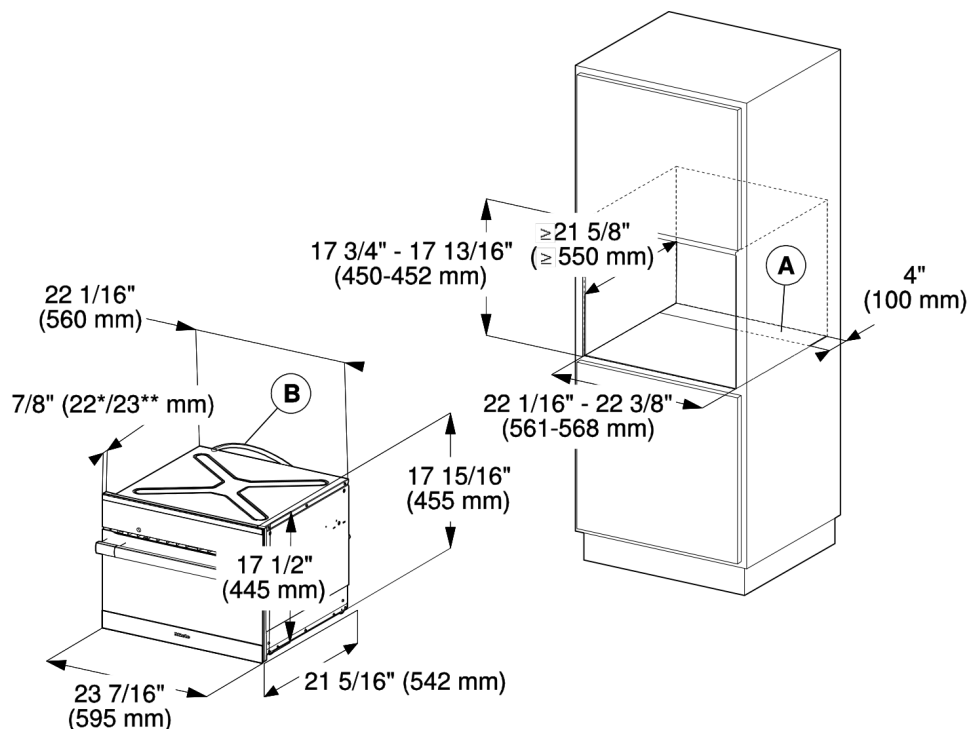


# PureLine Speed Oven H 6600 BM



## INSTALLATION SPECIFICATIONS

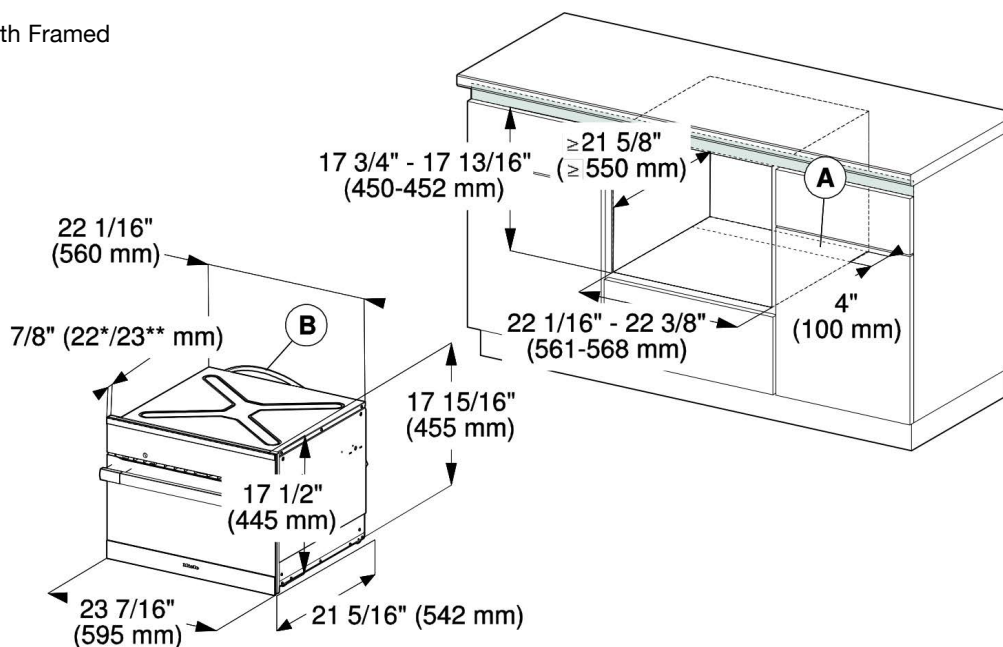
Install in Tall Cabinet



- Ⓐ Cut-out (4" x 22" / 100 mm x 560 mm) in the bottom of the cabinet for power cord and ventilation
- Ⓑ Power cord with plug

\* Oven with glass front  
\*\* Oven with metal front

Undercounter Installation With Framed Cabinet



- Ⓐ Cut-out (4" x 22" / 100 mm x 560 mm) in the bottom of the cabinet for power cord and ventilation
- Ⓑ Power cord with plug

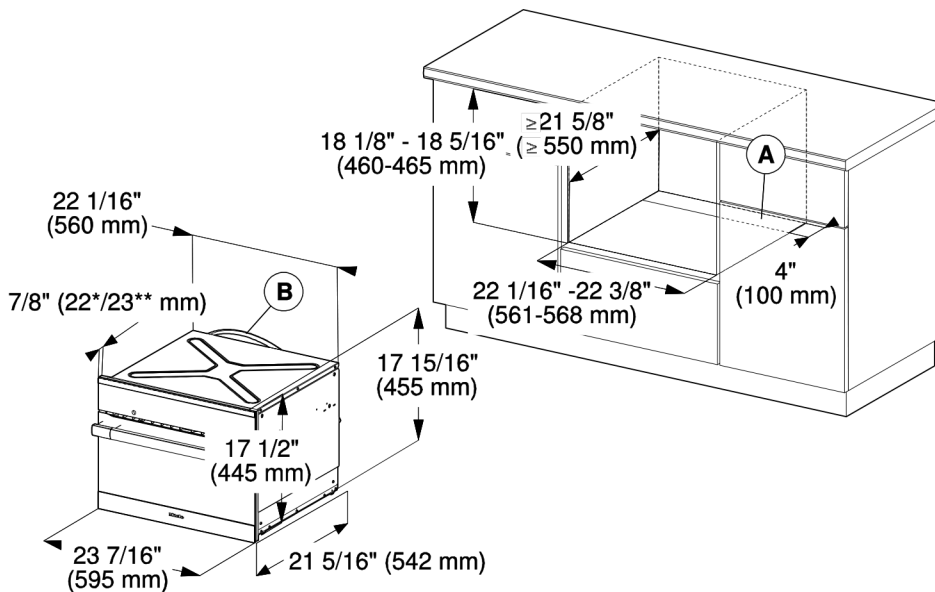
\* Oven with glass front  
\*\* Oven with metal front

# PureLine Speed Oven H 6600 BM



## INSTALLATION SPECIFICATIONS

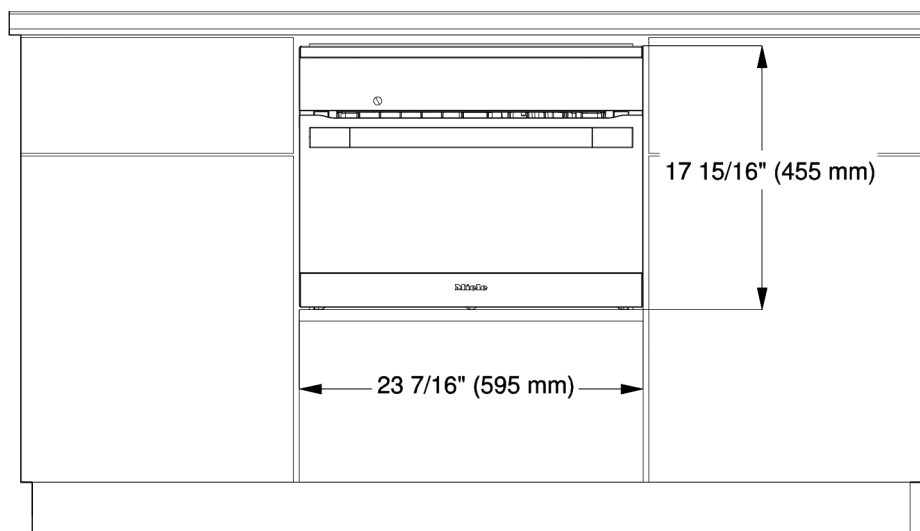
Undercounter Installation Against CounterTop



- Ⓐ Cut-out (4" x 22" / 100 mm x 560 mm) in the bottom of the cabinet for power cord and ventilation
- Ⓑ Power cord with plug

\* Oven with glass front  
\*\* Oven with metal front

Under Counter Install Against Counter Top  
Front View



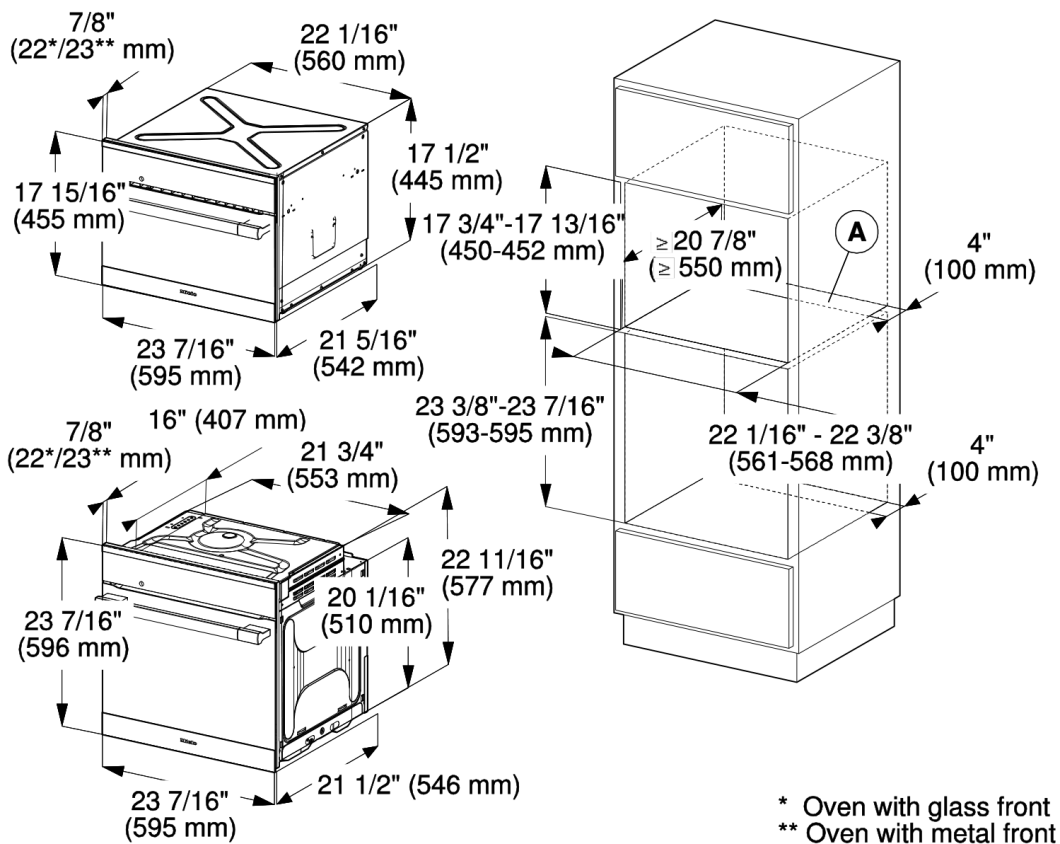


# PureLine Speed Oven H 6600 BM



## INSTALLATION SPECIFICATIONS

Stacked With 24 Inch Oven Installation



Ⓐ Cut-out ( $4'' \times 22''$  /  $100 \text{ mm} \times 560 \text{ mm}$ ) in the bottom of the cabinet for power cord and ventilation