



**Professional grill**  
30" BGC models

**Le gril professionnel**  
Modèles 30po BGC

**Installation instructions  
and User guide**

**Instructions d'installation  
et Guide d'utilisation**

US CA



# A MESSAGE TO OUR CUSTOMERS

Thank you for selecting this DCS Professional “BGC” Series Grill. Because of this appliance’s unique features we have developed this manual. It contains valuable information on how to properly install, operate and maintain your new appliance for years of safe and enjoyable cooking.

To help serve you better, please fill out and submit your Product Registration by visiting our website at [www.dcsappliances.com](http://www.dcsappliances.com) and selecting “Customer Care” on the home page and then select “Product Registration”. In addition, keep this guide handy, as it will help answer questions that may arise as you use your new appliance.

For your convenience, product questions can be answered by a DCS Customer Care Representative at 1-888-936-7872, or email: [customer.care@fisherpaykerl.com](mailto:customer.care@fisherpaykerl.com).

**NOTE:** Please write the Model, Code, and Serial Numbers on this page for reference (can be found on the inside, right side panel behind the drip pan handle. See page 23.)

MODEL NUMBER \_\_\_\_\_ CODE \_\_\_\_\_ SERIAL NUMBER \_\_\_\_\_

**NOTE:** Inspect the product to verify that there is no shipping damage. If any damage is detected, call the shipper and initiate a damage claim. DCS by Fisher & Paykel is not responsible for shipping damage.

*DO NOT discard any packing material (box, pallet, straps) until the unit has been inspected.*

## **WARNING!**

Do not try lighting this appliance without reading the “Lighting Instructions” section of this manual. Improper installation, adjustment, alteration, service or maintenance can cause property damage, injury or death. Read the installation, operating and maintenance instructions thoroughly before use, installing or servicing this equipment. This outdoor cooking gas appliance is not intended to be installed in or on recreational vehicles, boats or in a non-ventilated room. For outdoor use only.

## **WARNING**

1. Do Not store or use gasoline or any other flammable vapors and liquids in the vicinity of this or any other appliance.
2. An LP cylinder not connected for use shall not be stored in the vicinity of this or any other appliance.

## **DANGER**

If you smell gas:

1. Shut off gas to the appliance.
2. Extinguish any open flames.
3. Open lid.
4. If odor continues, keep away from the appliance and immediately call your gas supplier or your fire department.

**PLEASE RETAIN THIS MANUAL FOR FUTURE REFERENCE.**

# CONTENTS

|  |       |
|--|-------|
| SAFETY PRACTICES & PRECAUTIONS             | 3-5   |
| GRILL MODELS                               | 6     |
| INSTALLATION                               |       |
| Locating Grill / Built-in Clearances       | 7-9   |
| Built-in Construction Details              | 10-11 |
| Cart Assembly Instructions                 | 12-15 |
| Gas Hook-up                                | 16-19 |
| Leak Testing                               | 20    |
| Burner Adjustment                          | 21    |
| Radiant Assembly                           | 22    |
| Installer Checklist                        | 23    |
| USING THE GRILL                            |       |
| Lighting Instructions                      | 24    |
| Grilling                                   | 25-26 |
| USING THE ROTISSERIE<br>(SOME MODELS ONLY) | 27-30 |
| CARE & MAINTENANCE                         | 31-32 |
| TROUBLESHOOTING                            | 33    |
| SERVICE                                    | 34    |

# SAFETY PRACTICES & PRECAUTIONS

## **IMPORTANT SAFETY NOTICE!**

Certain Liquid Propane dealers may fill liquid propane cylinders for use in the grill beyond cylinder filling capacity. This "Overfilling" may create a dangerous condition.

"Overfilled" tanks can build up excess pressure. As a safety device, the tank pressure relief valve will vent propane gas vapor to relieve this excess pressure. This vapor is combustible and therefore can be ignited. To reduce this danger, you should take the following safety precautions:

1. When you have your tank filled, be sure you tell the supplier to fill it to no more than 3/4 (75%) of its total capacity.
2. If you own or use a spare tank, or have a disconnected tank, you should NEVER store it near or under the grill/cart unit or heat box, or near any other ignition or heat source. A metallic sticker with this warning is provided with the grill to remind you, your family and all others who may use your grill of these safety precautions. Install this sticker close to your barbeque grill.
3. Do not store a full tank in direct sunlight.

## **WARNING!**

Do not try lighting this appliance without reading the "LIGHTING INSTRUCTIONS" section of this manual. This grill is for outdoor use only.

## **WARNING!**

Push and hold the igniter button, turn the selected burner knob to "SEAR". If burner does not light in 4 to 5 seconds turn knob "OFF" and wait 5 minutes before trying again for any accumulated gas to dissipate.

## **WARNING: IMPORTANT!**

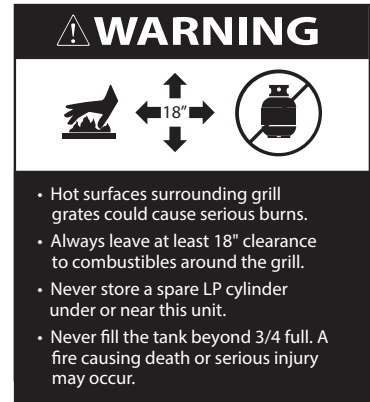
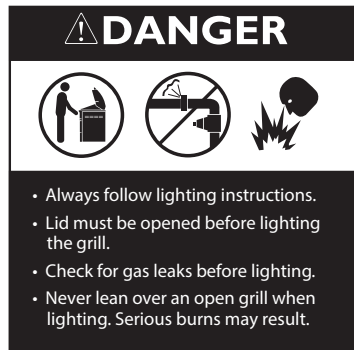
Before each use, inspect the gas supply piping or hose prior to turning the gas "on". If there is evidence of cuts, wear, or abrasion, it must be replaced prior to use.

Never leave the appliance unattended during use.

- Begin by insuring proper installation and servicing. Follow the installation instructions within this manual. Have your grill installed by a qualified installer. Have the installer show you where the gas supply shut-off valve is located so that you know where and how to shut off the gas to the grill. If you smell gas, your installer has not done a proper job of checking for leaks. If the connections are not perfectly sealed, you can have a small leak and therefore a faint gas smell. Finding a leak is not a "do-it-yourself" procedure. Some leaks can only be found with the burner control in the "ON" position and this must be done by a qualified technician.
- Children should not be left alone or unattended in an area where the grill is being used. Never allow them to sit, stand or play on or around the grill at any time. When in use, portions of the grill get hot enough to cause severe burns.
- Do not store items of interest to children around or below the grill, in the cart or masonry enclosure. Never allow children to crawl inside a cart or enclosure.
- Never attach or disconnect an LP cylinder, or move or alter gas fittings when the grill is in operation or is hot.
- Clean and perform general maintenance on the grill twice a year. Watch for corrosion, cracks, or insect activity. Check the regulator, hoses, burner ports, air shutter, and venturi/valve section carefully. Always turn off gas at the source (tank or supply line) prior to inspecting parts.
- After a period of storage or non-use (such as over the winter), the gas grill should be checked for gas leaks, deterioration, proper assembly, and burner obstructions before using.



STICKER



# SAFETY PRACTICES & PRECAUTIONS

- Never let clothing, pot holders or other flammable materials come in contact with or get too close to any grate, burner or hot surface until it has cooled. Fabric may ignite and result in personal injury.
- Do not heat unopened food containers as a build-up of pressure may cause the container to burst.
- Always use a covered hand when opening the grill lid and only do so slowly to allow heat and steam to escape.
- Never lean over an open grill. When lighting a burner, always pay close attention to what you are doing. Be certain you are pushing the control knob when you attempt to light the grill.
- After lighting burners, make sure burners are operating normally (see page 21).
- When using the grill, do not touch the grill burner, grate or immediate surrounding area as these areas become extremely hot and could cause burns.
- Grease is flammable. Never operate the grill without a grease tray. Let hot grease cool before attempting to handle it. Avoid letting grease deposits collect in the drip pan. Clean often.
- Do not use aluminum foil to line drip pans, grill grates or radiants. This can severely upset combustion air flow or trap excessive heat in the control area. The result of this can be melted knobs or damaged ignition components.
- Do not operate with a damaged cord or plug or after the appliance malfunctions or has been damaged in any manner. Contact the manufacturer for repair.
- Do not let the rotisserie motor cord hang over the edge of a table or touch hot surfaces.
- Do not use an outdoor cooking appliance for purposes other than intended.

For personal safety, wear proper apparel. Loose fitting garments or sleeves should never be worn while using this appliance. Some synthetic fabrics are highly flammable and should not be worn while cooking. Only certain types of glass, heat-proof glass ceramic, earthenware, or other glazed utensils are suitable for grill use. Use of these types of materials may break with sudden temperature changes. Use only on low or medium heat settings according to the manufacturer's directions.

## **WARNING!**

Spiders and insects can nest in the grill burners, causing the gas not to flow through the burner. The gas will flow from the front of the burner into the control panel. This is a very dangerous condition which can cause a fire to occur behind the valve panel, thereby damaging the grill components and making it unsafe to operate.

## **WARNING!**

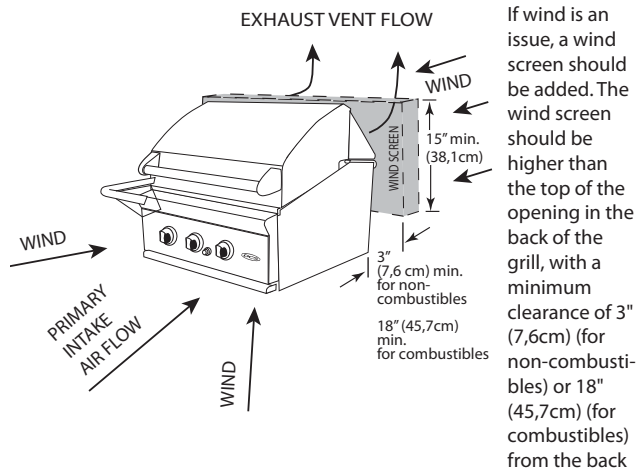
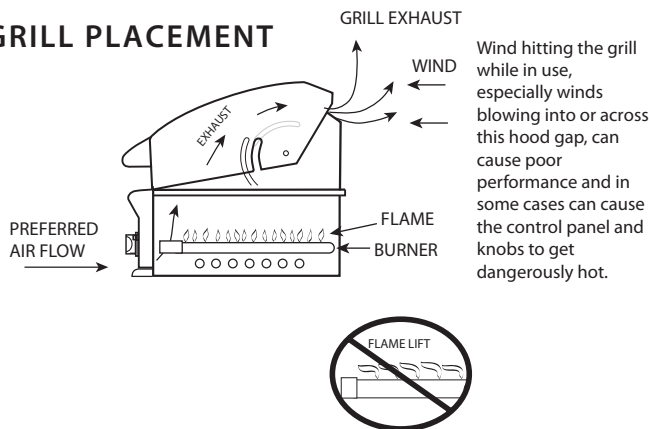
Keep the area surrounding the grill free from combustible materials, trash, or combustible fluids and vapors such as gasoline or charcoal lighter fluid. Do not obstruct the flow of combustion and ventilation air.

## **WARNING!**

Never use the grill in windy conditions. If located in a consistently windy area (oceanfront, mountaintop, etc.) a wind break will be required. Always adhere to the specified clearances as defined in the "INSTALLATION" section of this manual.

When using the side burners always use flat bottomed pans which are large enough to cover the side burner. Adjust the flame so that it heats only the bottom of the pan to avoid ignition of clothing. Position handles inward

## GRILL PLACEMENT



# SAFETY PRACTICES & PRECAUTIONS

away from open edges of the unit to avoid burns associated with unintentional spillovers. Hold the handle of the pan to prevent movement of it when turning or stirring food. For proper lighting and performance of the burners keep the ports clean. It is necessary to clean periodically for optimum performance.

Clean the grill with caution. Avoid steam burns; do not use a wet sponge or cloth to clean the grill while it is hot. Some cleaners produce noxious fumes or can ignite if applied to a hot surface.

Be sure all grill controls are turned off and the grill is cool before using any type of aerosol cleaner on or around the grill. The chemical that produces the spraying action could, in the presence of heat, ignite or cause metal parts to corrode.

Do not use the grill for cooking excessively fatty meats or products which promote flare-ups.

Never grill without the drip pan and grease tray in place and pushed all the way to the back of the grill. Without it hot grease could leak downward and produce a fire or explosion hazard.

Do not operate the grill under unprotected combustible construction. Use only in well ventilated areas. Do not use in buildings, garages, sheds, breezeway, covered structure or other such enclosed areas. This unit is for outdoor use only.

If a cart unit is stored indoors, ensure that it is cool, fold the side shelf down, then push, never pull, the grill and never push or pull on the side shelves. If LP, the cylinder must be unhooked and the LP cylinder stored outside in a well ventilated area, out of reach of children.

Never use the grill in a windy area.

Do not locate, store or operate the grill on an inclined plane. Make sure you lock the castor wheels before operating the grill.

Do not use charcoal or lighter fluid in the grill.

Keep any electrical supply cord, or the rotisserie motor cord away from the heated areas of the grill and water (pools, fountains, puddles).

Never use a dented or rusty LP tank. Keep the ventilation openings of the cylinder enclosure free and clear from debris.

Use only dry potholders; moist or damp potholders on hot surfaces may cause burns from steam. Do not use a towel or bulky cloth in place of potholders. Do not let potholders touch hot portions of the grill or burner grate.

Have an ABC rated Fire Extinguisher accessible – never attempt to extinguish a grease fire with water or other liquids.

To avoid burns when cooking, use long handled BBQ tools.

Do not move the appliance during its use.

**This unit is for outdoor use only!** Do not operate in enclosed areas. This could result in carbon monoxide build-up which would result in injury or death.

When using the grill, be sure that all parts of the unit are firmly in place and that the grill is stable (can't be tipped over).

To reduce the risk of flare-ups, adjust the controls to lower the temperature

**CALIFORNIA PROPOSITION 65-WARNING:** The Burning of gas cooking fuel generates some by-products which are on the list of substances which are known by the State of California to cause cancer or reproductive harm. California law requires businesses to warn customers of potential exposure to such substances. To minimize exposure to these substances, always operate this unit according to the manual, ensuring you provide good ventilation when cooking with gas.

This outdoor cooking gas appliance is not intended to be installed in or on recreational vehicles, trailers and/or boats.

**Note:**

***This product must be installed by a licensed plumber or gas fitter when installed within the Commonwealth of Massachusetts.***

# GRILL MODELS



**BGC30-BQR**



**BGC30-BQ**



# INSTALLATION

## LOCATING GRILL/BUILT-IN CLEARANCES

### LOCATION:

When determining a suitable location take into account concerns such as exposure to wind, proximity to traffic paths and keeping any gas or electrical supply lines as short as possible and away from heat sources. Locate the grill only in a well ventilated area. Do not build the grill under overhead unprotected combustible construction. Never locate the grill in a building, garage, breezeway, shed or other such enclosed areas. During heavy use, the grill will produce a lot of heat and smoke. Ensure there is adequate area for it to dissipate.

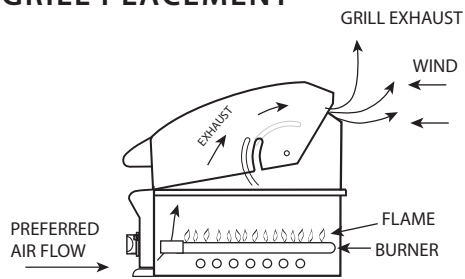
If locating the grill in a windy area, try to locate the grill so the prevailing wind will blow air at the front of the grill as shown in Fig. 01. This will assist the grill in venting hot air thru the back of the grill. In addition, this will help keep any smoke from blowing at someone who is cooking on the grill. If you have to locate the grill in a windy area where the prevailing wind is at the rear of the grill, a windbreak must be installed. The windbreak should be made such that it will block wind from entering the exhaust vent in the rear of the unit as shown in Fig. 01. Location of the windbreak relative to rear of the grill must adhere to the clearances specified for combustible or non-combustible construction as defined in these instructions. Refer to following pages.

As high-performance gas appliance, your grill requires significant amounts of air to support the combustion process. Your grill is designed to take air in through the valve panel area, and send the exhaust products out through the exhaust gap at the rear of the hood. Using your grill in windy conditions can disrupt the proper flow of air though your grill, leading to reduced performance, or in certain severe cases, causing heat buildup in the valve panel area. This can lead to problems such as having the knobs melt, or burn hazards when the valve panel surfaces become too hot to touch.

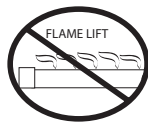
During high wind conditions, it is best if you don't use your grill. If you live in an area that is subject to frequent high winds, or a steady directional wind, then the installation of a suitable windbreak may be advised. If you have a grilling cart, it is best to position the unit so the prevailing wind blows into the valve panel, thus supporting the proper airflow. Winds hitting the back of the grill directly are the most likely to cause problems, although wind blowing along the exhaust gap in the rear can also be problematic.

Please note that damage to your grill resulting from use in windy conditions, such as melted knobs or igniter wires, or valve panel discoloration from heat build-up, are excluded from warranty coverage.

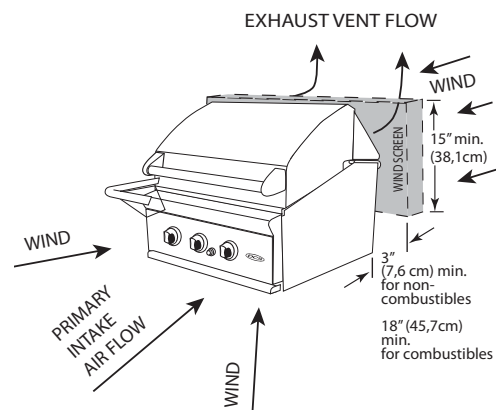
### GRILL PLACEMENT



Wind hitting the grill while in use, especially winds blowing into or across this hood gap, can cause poor performance and in some cases can cause the control panel and knobs to get dangerously hot.



BGC30-BQR model illustrated



If wind is an issue, a wind screen should be added. The wind screen should be higher than the top of the opening in the back of the grill, with a minimum clearance of 3" (7,6cm) for non-combustibles) or 18" (45,7cm) for combustibles) from the back

FIG. 01

### Important!

Gas fittings, regulator, and installer supplied shut-off valves must be easily accessible.

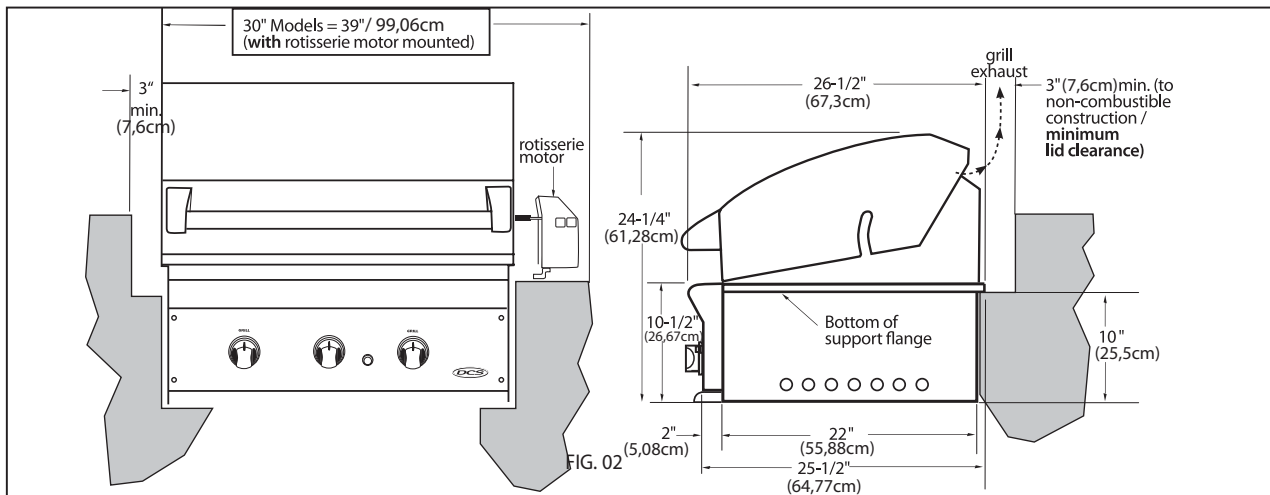
# INSTALLATION

## LOCATING GRILL/BUILT-IN CLEARANCES

### Clearances to Non-Combustible Construction\*:

A minimum of 3" / 7,6cm clearance from the back of the grill to non-combustible construction is required for the purpose of allowing the lid to open fully. It is desirable to allow at least 6" / 15,2cm rear and side clearance to non-combustible construction above the cooking surface for counter space. If you'll be using the rotisserie option (BGC30-BQR models only), the space is essential for motor and skewer clearance. The grill can be placed directly adjacent to non-combustible construction below the cooking surface. (Fig. 02).

### Clearances to Non-Combustible Construction\*



(BGC30-BQR illustrated)

### **! WARNING!**

Failure to maintain required clearances creates a fire hazard that may result in property damage or serious personal injury.

### **! WARNING!**

The BGB /BGC Grills are designed to function in an open area. Recommended minimum clearances should be maintained to all surfaces (combustible and noncombustible) for optimum performance. Noncombustible material within the minimum clearance area could result in discoloration or deterioration.

### **! WARNING!**

If a noncombustible material such as stucco is covering a combustible material such as wood, the minimum clearance distance needs to be held to the wood. The presence of a noncombustible material inside the clearance zone does not eliminate the minimum clearance zone to combustible material.

\* DEFINITION OF NONCOMBUSTIBLE MATERIAL - Material which is not capable of being ignited and burned, such as materials consisting entirely of, or a combination of, steel, iron, brick tile, concrete, slate, and plaster.

### Clearances to Combustible Construction\*\*:

Minimum of 18" / 45,7cm from the sides and rear of grill must be maintained to adjacent vertical combustible construction, above the counter top level. You should take in account that there is a large volume of heat, and smoke will exhaust from the rear of the grill. This may discolor or damage unprotected areas (Fig. 03). Do not install under unprotected combustible construction without using a fire safe ventilation system.

A 18" / 45,7cm minimum clearance must be maintained under the counter top to combustible construction. The clearance can be modified by a use of an insulated jacket.

# INSTALLATION

## LOCATING GRILL/BUILT-IN CLEARANCES (ALL MODELS)

### Clearances to Combustible Construction\*\*

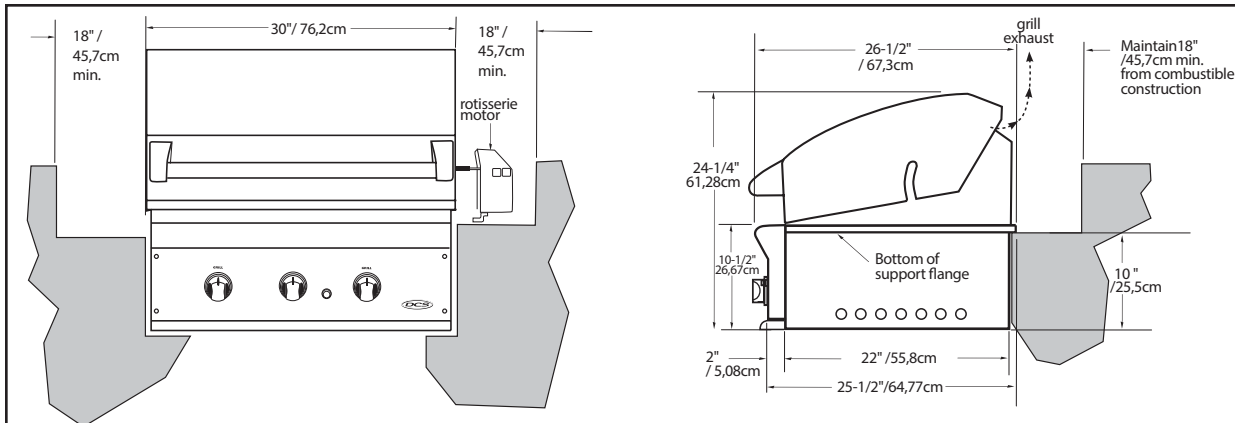


FIG. 03

(BGC30-BQR illustrated)

\*\* DEFINITION OF COMBUSTIBLE MATERIAL - Any materials of a building structure or decorative structure made of wood, compressed paper, plant fibers, vinyl/plastic or other materials that are capable of transferring heat or being ignited and burned. Such material shall be considered combustible even though flame-proofed, fire-retardant treated or surface-painted, or plastered.

### Important!

It is required that a minimum of (3)10 sq. inches / 64,5cm<sup>2</sup> of ventilation opening be provided for both the left and right sides, as well as the back of enclosure (Fig. 04), in order to safely dissipate unburned gas vapors in the event of a gas supply leak.

### ! WARNING!

Note specific built-in enclosure ventilation requirements. See text and Fig. 04.

### GENERAL

The grill is designed for easy placement into built-in masonry enclosures. For non-combustible applications the grill drops into the opening shown in Fig. 04 and hangs from its side flanges. A deck is not required to support it from the bottom. When using the insulated jacket in a combustible enclosure application, see the bottom of Fig. 04. The insulation jacket assembly must be supported from the bottom by a ledge on each side and back or a solid deck.

A carpenter's "spirit level" should be used to assure that the unit is level both front-to-back and side-to-side. If it is not level, burner combustion may be erratic or the unit may not function efficiently for grease flow. If the floor is uneven or has a decided slope, re-leveling may be required after each moving of a freestanding unit.

### INSULATED JACKET:

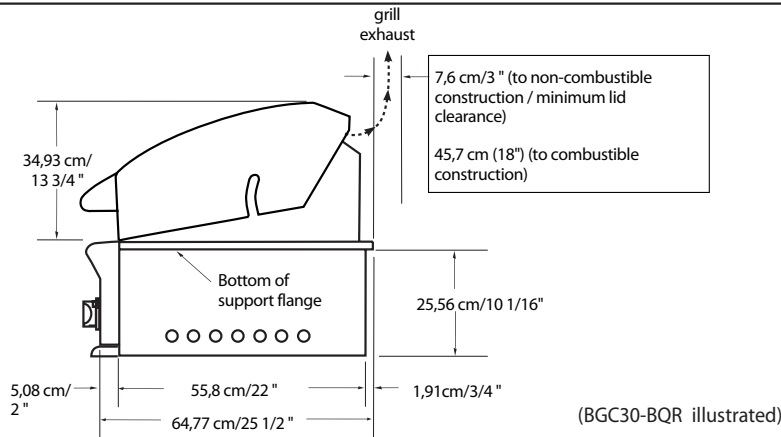
### ! WARNING!

Installing this product into a combustible enclosure without an insulated jacket could result in fire, property damage and personal injury.

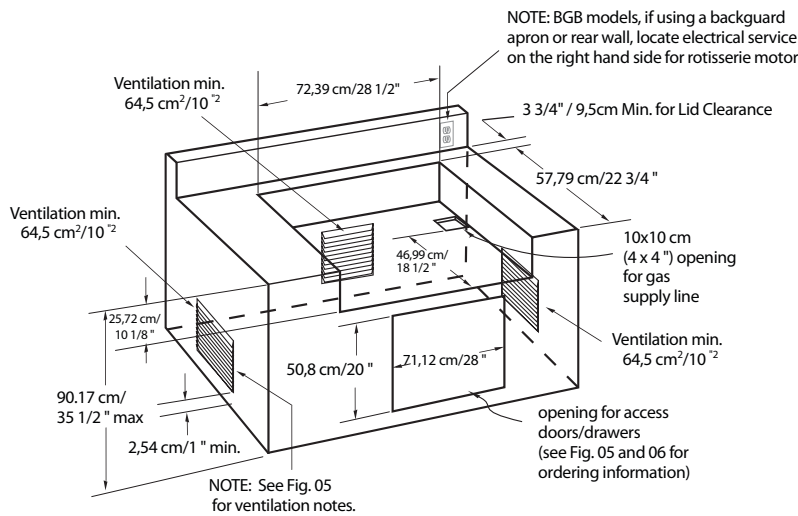
If the grill is to be placed into a combustible enclosure, an approved insulated jacket is necessary. Insulated jackets are available from your dealer. Use only the DCS insulated jacket which has specifically been designed and tested for this purpose. Review the detail drawing shown (Fig. 04) and take into account the provisions shown for gas line hook-up clearance in the right rear corner. It is required that ventilation holes are provided in the enclosure to eliminate the potential build-up of gas in the event of a gas leak. The supporting ledges or deck must be level and flat and strong enough to support the grill and insulated jacket. The counter should also be level.

# INSTALLATION

## BUILT-IN CONSTRUCTION DETAILS



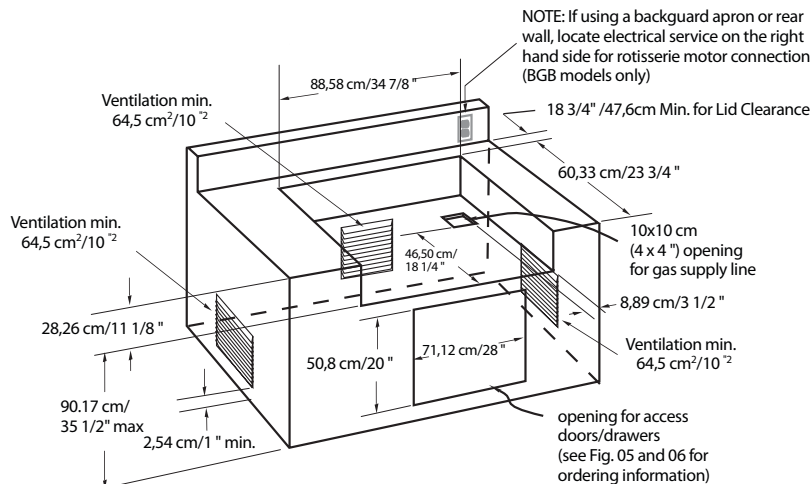
### Standard layout for non-combustible enclosure:



### ⚠ WARNING!

If installing the grill into a non-combustible enclosure, all combustible construction must still be outside the 18 inch / 45,7cm clearance zone. If your island is made of stucco over the top of wooden studs, the wood can not be inside the 18 inch clearance zone to combustible, even though the stucco is what is touching the grill area.

### Layout for insulated jacket only - combustible enclosure:



| INSULATED JACKET |          |
|------------------|----------|
| Size             | Part No. |
| 30               | 70859    |

Note:

The gas connection must be visible to the user (through a door opening or similar).

Gas piping and connectors must be clamped within the enclosure to avoid contact with moving parts and hot surfaces.

Where the gas piping passes through an opening in the enclosure, the piping must be protected for a distance of at least 2" (50mm) either side of the opening.

The gas connector must comply with the Standard for Connectors for Outdoor Gas Appliances & Manufactures Homes, ANSI Z21.75/ CSA 6.27.

The connection must be no longer than 6' (1820mm) in length and be suitable for outdoor installation.

FIG.04

# INSTALLATION

## BUILT-IN CONSTRUCTION DETAILS

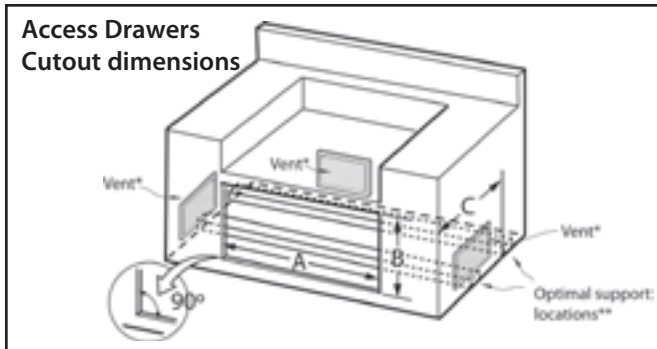


FIG. 05

NOTE: The cutout of each corner should be 90° angle in order for the access drawers to fit properly.

\* Island installation to use minimum of 3 vents, 10 square inches (25,4cm<sup>2</sup>) per vent (typical).

\*\* For proper support and drawer operation, insure that support boards are installed per Installation Guide instructions

| MODEL NUMBER | A<br>(+0,-1/8) | B<br>(+1/8,-0) | C                       |
|--------------|----------------|----------------|-------------------------|
| ADR2-48      | 46"            | 20"            | (Min,<br>All<br>Models) |
| ADR2-36      | 34"            | 20"            |                         |
| ADR2-30      | 28"            | 20"            |                         |
| ADR2-24      | 22"            | 20"            |                         |

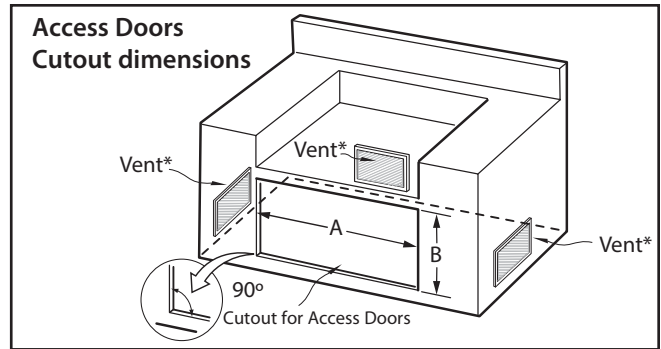


FIG. 06

NOTE: The cutout of each corner should be 90° angle in order for the access drawers to fit properly.

\* Island installation to use minimum of 3 vents, 10 square inches (25,4cm<sup>2</sup>) per vent (typical).

| MODEL NUMBER | A<br>(+0,-1/8) | B<br>(+1/8,-0) |
|--------------|----------------|----------------|
| ADN1-20x48   | 46"            | 20"            |
| ADN1-20x36   | 34"            | 20"            |
| ADN1-20x30   | 28"            | 20"            |
| ADN1-20x24   | 22"            | 20"            |

To order access drawers or doors, please call DCS Customer Care at 1.888.936.7872 for DCS Dealer in your area.

# INSTALLATION

## CART ASSEMBLY INSTRUCTIONS

### IMPORTANT!

Read all instructions before you begin. Do not jump ahead or skip any step.

### CAUTION!

Some parts have sharp edges; care must be taken when handling the various components to avoid injury. Please read safety information provided in these instructions before beginning assembly. Wear gloves when handling. Two or more people should work together to assemble the cart and grill head.

#### Note:

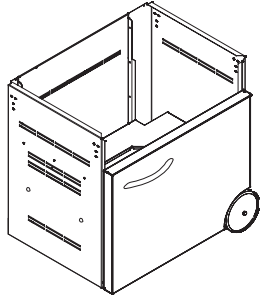
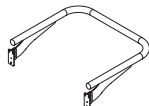
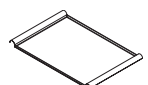

Avoid using side shelf to move cart. Push or pull cart by grasping corners of grill head.



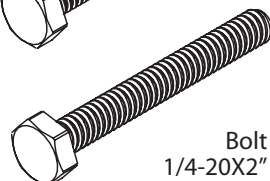


### GETTING STARTED

- Remove packaging.
- Remove side shelf and side tray from inside and discard packing.






#### Contents Included:

Your cart is packaged in one box. The box contains your 30" grill cart and a universal hardware kit to be used for BGC30-BQR grill installation and may contain extra hardware for your convenience.

| Contents   | Qty. |
|--|------|
| <br>30" Grill Cart  | 1    |
| <br>Side Shelf      | 1    |
| <br>Side Shelf Tray | 1    |
| <br>Instruction     | 1    |

| Contents   | Qty. |
|--|------|
|  Machine philip screws 10-24X1/2" | 5    |
|  Bolt 1/4-20X1/2"                | 5    |
|  Bolt 1/4-20X2"                  | 1    |
|  Keps Nut 1/4-20                | 5    |
|  Rubber Bumper                  | 5    |

#### Tools Required:

|  |   |
|--|---|
|  | Eye Goggles   |
|  | Work Gloves   |
|  | Power Screwdriver or Variable Speed Drill with Phillips tip #2 Attachment |
|  | 10 mm Wrench or Socket  |
|  | 3/32" Allen Wrench  |

# INSTALLATION

## CART ASSEMBLY INSTRUCTIONS

### STEP 1

#### Attach Side Shelf on the Right Side (left side is optional side burner location)

1. Attach shelf to right side of the cart using 1/4-20 nuts and bolts provided [leave out (1) bolt front side as shown below].
2. Do not tighten bolts (finger tight only) until completing Step 4.
3. Install bumpers to the sides of the cart as shown below.

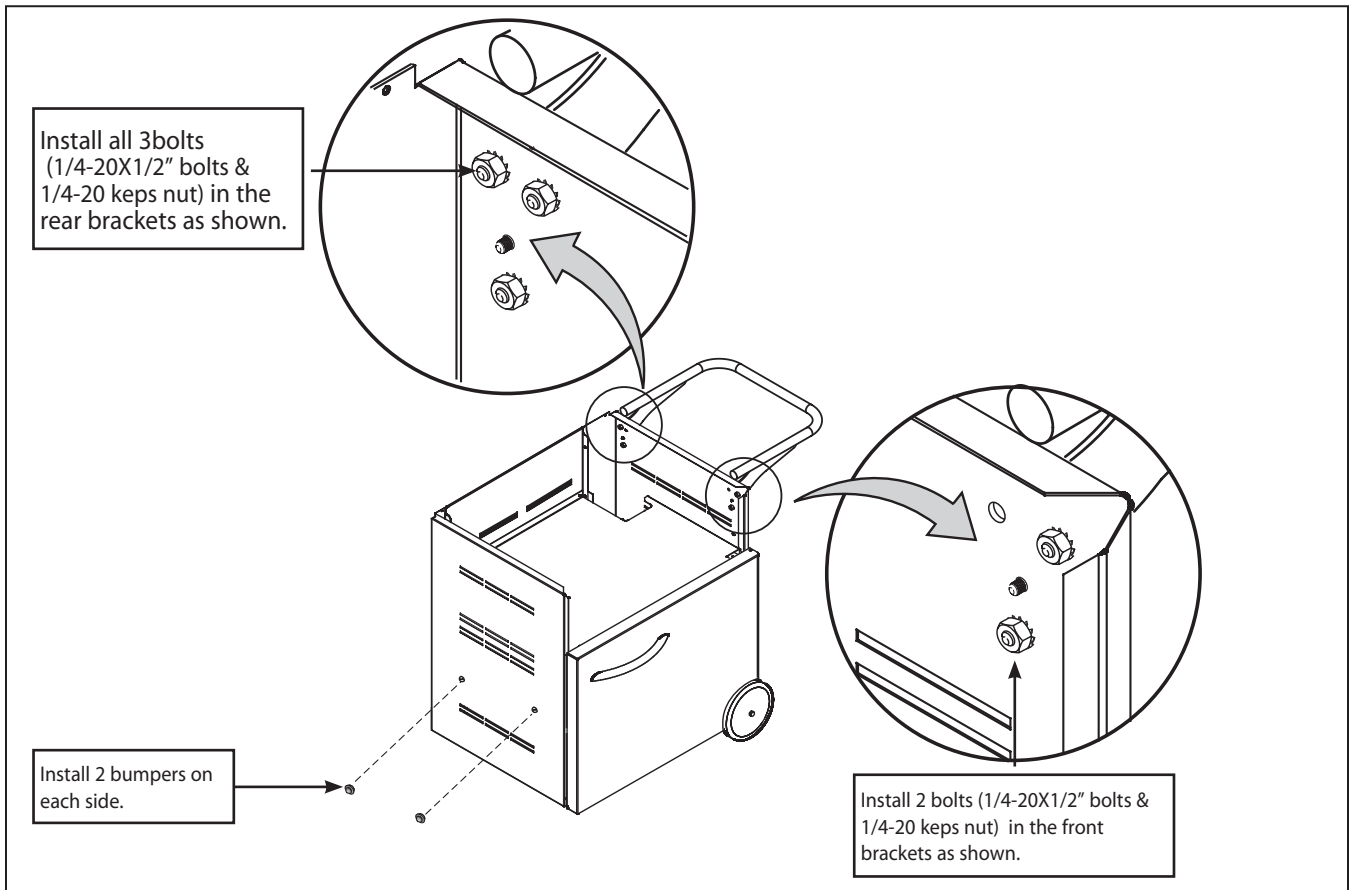


FIG. 07

### STEP 2

#### Grill Placement onto Cart (2 persons required)

1. Remove drip tray/pan for easier handling. Place grill head on cart.
2. Slide back.
3. Ease over rear flange.
4. Secure with screws.



FIG. 08 After drip tray/pan is removed, carefully place grill head on cart (2 person minimum).



FIG. 09 Once grill rests on cart, slide grill to rear of cart as shown.

(Model shown may vary)

# INSTALLATION

## CART ASSEMBLY INSTRUCTIONS

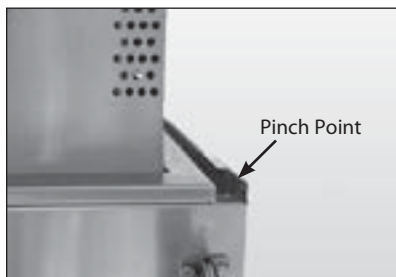


FIG. 10 Lift grill over rear flange of cart (be aware of pinch points).



FIG. 11 Grill head should rest over rear cart flange as shown above.



FIG. 12 Secure grill to rear of cart with (2) Phillips-head screws provided (10-24 x 1/2").

### STEP 3

#### Front End Screw Installation

1. Install remaining (3) screws (10-24X1/2") in front of head to cart.
2. Slide drip tray/pan back into place. Move side shelf bars up and set trays into place.

### STEP 4

#### Bolt Installation

After head is in place, install the bolt (1/4-20 x 2") omitted from Step 1, and tighten all bolts on bracket. Tighten until sides are flush with the trim only.

#### **Note:**

*This bolt secures side bracket to grill head assembly for added side shelf strength. Apply Loctite 242 (blue) to the first 3-4 threads prior to installation of this bolt*



FIG. 13 Secure grill to the front of the cart with Phillips-head screws (provided).



FIG. 14 Front right side



# INSTALLATION

## CART ASSEMBLY INSTRUCTIONS

### STEP 5

#### Side tray adjustment

1. Take the tray and place it onto the handle at a upright position. Make sure the tray sits snugly around the handle.
2. Then tighten the rest of the loose bolts that were not tightened in Step 1.

#### Side shelf adjustment

1. With extended use, the shelves may become unlevel and need to be readjusted.
2. In between the bracket where the handle slides in is a 5/8" long adjustment screw. Grasping the handle as shown, raise up the shelf and hold while with other hand using a 3/32 allen wrench turn to the desired level.

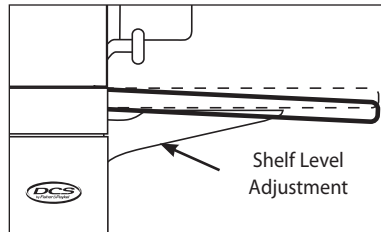


FIG. 15



FIG. 16

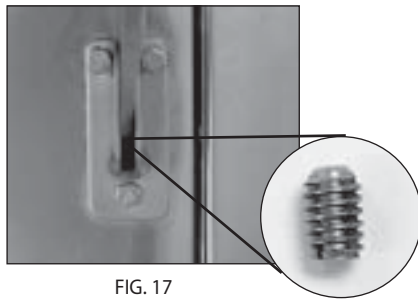


FIG. 17



FIG. 18



FIG. 19

3. Slide drip tray/pan back into place.
4. Move side shelf bars up and set trays into place.

### STEP 6

#### Gas Hookup - LP

Attach LP gas line connector hose assembly (as shown in "LP Gas Hookup" section) and then connect to LP tank as shown below.



FIG. 20



FIG. 21

# INSTALLATION

## GAS HOOK-UP

Note: All gas piping and connectors must conform to the Standard for Connectors for Outdoor Gas Appliances and Manufactured Homes, ANSI Z21.75/CSA 6.27.

### GAS REQUIREMENT

Verify the type of gas supply to be used, either natural or LP, and make sure the marking on the appliance rating plate agrees with that of the supply. The rating plate is located underneath the drip tray. Never connect an unregulated gas line to the appliance. You must use the gas regulator provided with the unit, even if the supply is controlled.

An installer-supplied gas shut-off valve must be installed in an easily accessible location. All installer supplied parts must conform to local codes, or in the absence of local codes, with the National Electrical Code, ANSI/NFPA 70 or the Canadian Electrical Code, CSA C22.1, and the National Fuel Gas Code, ANSI Z223.1 or CSA B149.1 Natural Gas Installation Code or CSA B149.2 Propane Installation Code.

All pipe sealants must be an approved type and resistant to the actions of LP gases. Never use pipe sealant on flare fittings. All gas connections should be made by a qualified technician and in accordance with local codes and ordinances. In the absence of local codes, the installation must comply with the National Fuel Gas Code, ANSI Z223.1. Gas conversion kits are available from Customer Care. When ordering gas conversion kits, have the model number, and the type of gas (natural or LP) from your grill.

### TOTAL GAS CONSUMPTION OF THE GRILL WITH ALL BURNERS ON HI:

BGC30-BQR - 64,000 Btu/hr or 67.5MJ/h BGC30-BQ 50,000Btu/h or MJ/h

The appliance and its individual shut-off valve must be disconnected from the gas supply piping system during any pressure testing of that system at test pressures in excess of 1/2 PSIG (3.5 kPa.). The appliance must be isolated from the gas supply piping system by closing its individual manual shut-off valve during any pressure testing of the gas supply piping system at test pressures equal to or less than 1/2 PSIG (3.5 kPa.). The installation of this appliance must conform with local codes or, in the absence of local codes, with the National Fuel Gas Code, ANSI Z223.1/NFPA 54. Installation in Canada must be in accordance with Natural Gas and Propane Installation Code, CSA B149.1, and/or Propane Storage and Handling Code, B149.2 and local codes.

### NATURAL GAS HOOK UP: (THIS TYPE OF CONNECTION SHOULD BE PERFORMED BY A CERTIFIED OR LICENSED TECHNICIAN ONLY.)

**Connection:** 1/2" NPT female with 3/8" flare adapter.

**Operating pressure:** 4.0" W.C. 1.0kPa **Supply pressure:**

5" (1.2kPa) to 14" water column (2.7kPa). If in excess of 14" W.C., a step down regulator is required. Check with your local gas utility company or local codes for instructions on installing gas supply lines. Be sure to check on type and size of run, and how deep to bury the line. If the gas line is too small, the grill will not function properly. Any joint sealant used must be an approved type and be resistive to the actions of LP gases.

### TO HOOK-UP THE FITTINGS SUPPLIED WITH THE GRILL:

Assemble as shown (Fig. 22). Use threading compound on male threads only. Do not use threading compound on the male end of the 1/2" NPT to 3/8 flare adapter.

Use a second pipe wrench to hold the grill inlet pipe to avoid shifting any internal gas lines of the grill. Ensure that the regulator arrow points in the direction of gas flow towards the unit, away from the supply. Do not forget to place the installer-supplied gas valve in an accessible location.

### LP GAS HOOK UP (TYPE 1 OR QCC1 REGULATOR):

Grills orificed for use with LP gas come equipped with a high capacity hose/regulator assembly for connection to a standard 20 lb / 9kg. LP cylinder (Type 1). The LP tank is not included.

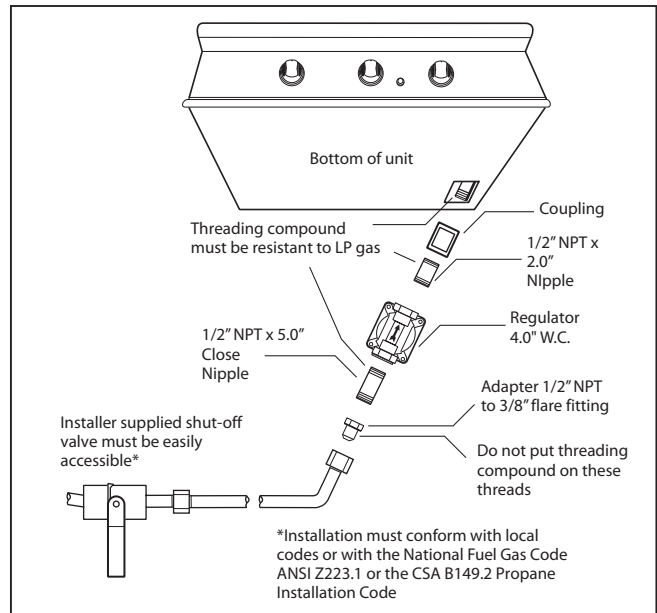


FIG. 22 Natural Gas

# INSTALLATION

## GAS HOOK-UP

**Connection:** LP Hose with a Type 1 quick disconnect and regulator is included. **Operating pressure:** 11.0" W.C / 2.7kPa.

### CAUTION!

Before connecting LP tank to regulator, check that all grill burners, and rotisserie valves (BGC30-BQR models) are in the OFF position and open grill lid.

To connect the LP regulator/hose assembly to the tank/valve assembly, first make sure the main valve on the tank is completely closed. Although the flow of gas is stopped when the Type 1 system is disconnected as part of its safety feature, you should always turn off the LP tank main valve (Fig.23) after each use and during transport of the tank or unit. Insert the regulator inlet into the tank valve and turn the black coupler clockwise until the coupler tightens up. **Do not overtighten the coupler.** Turn the main tank valve on and turn the burner control valves on the unit to the "HI" position for about 20 seconds to allow the air in the system to purge, turn valves off and wait 5 minutes before attempting to light the burners.

To disconnect the coupler, first make sure the main tank valve is turned off. Grasp the coupler and turn counter clockwise. The inlet will then disengage. Remove the inlet from the tank valve opening if it has not already done so when it disengaged. Your local LP filling station should be equipped with the proper equipment to fill your tank.

### LP TANK REQUIREMENTS:

A dented or rusty LP tank may be hazardous and should be checked by your LP supplier. The cylinder that is used must have a collar to protect the cylinder valve. Never use a cylinder with a damaged valve. Always check for leaks after every LP tank change. The LP gas cylinder must be constructed and marked in accordance with the specifications for LP gas cylinders of the U.S. Department of Transportation (DOT or CAN/CSA-B339) and designed for use with a Type 1 system only. Do not change the regulator/hose assembly from that supplied with the unit or attempt to use a Type 1 equipped regulator/hose assembly with a standard 510 POL tank/valve assembly. The cylinder must be provided with a shut-off valve terminating in a LP gas supply cylinder valve outlet specified, as applicable, for connection Type 1. **If the appliance is stored indoors, the cylinder must be disconnected and removed from the appliance. Cylinders must be stored outdoors in a well-ventilated area out of the reach of children.**

#### Note:

When an LP unit is being directly connected to an LP house system, you must follow the natural gas hook up guidelines. The installer must provide the proper gas regulator to reduce the gas pressure to 11" W.C / 2.7kPa.

#### Note:

The Grill comes with the LP Regulator/Hose assembly installed at the factory. The assembly, along with the entire Grill system, is leak tested. Do not remove the Regulator/Hose assembly from the Grill during installation.



### WARNING! :

1. Do not remove the Grill from the pallet until you are ready to install.
2. Do not place the Grill directly on the ground or any other flat surface without support. This will prevent damaging the regulator/hose assembly by the weight of the grill.
3. Check the hose, regulator and connectors for damage. Look for cracks, abrasions, brittleness, holes, dents and nicks.
4. Do not attempt to remove, repair, or replace the Regulator/Hose assembly by yourself. It must be done by a qualified technician only.

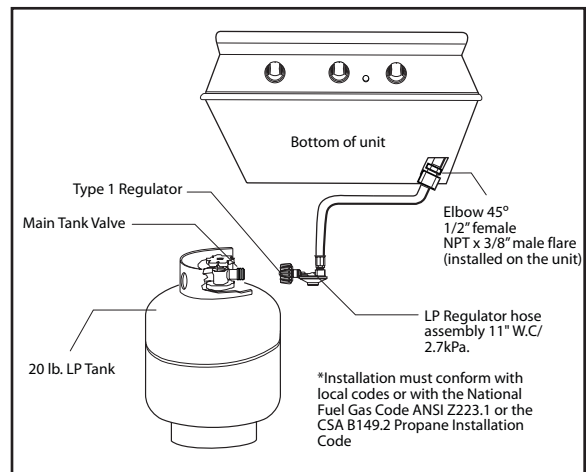


FIG. 23 LP Gas

# INSTALLATION

## GAS HOOK-UP

### LP TANK RESTRAINT FOR BUILT-IN INSTALLATION

If the grill is to be installed in a Built-in application, then the grill must be installed in accordance with the Built-in installation guidelines.

If you intend to operate your Built-in grill on LP gas utilizing a 20 lb Type 1 cylinder, then the Built-in LP tank restraint must be installed prior to initial use of the grill. If you do not have one please contact DCS Customer Care at (888) 936-7872 for information on obtaining one.

The following steps will illustrate how to properly locate and install the LP tank restraint within the Built-in enclosure.

#### **NOTE:**

*The grill comes with the LP Regulator/Hose assembly installed at the factory. The assembly, along with the entire grill system, is leak tested.*

*Do not remove the Regulator/Hose assembly from the grill during installation.*

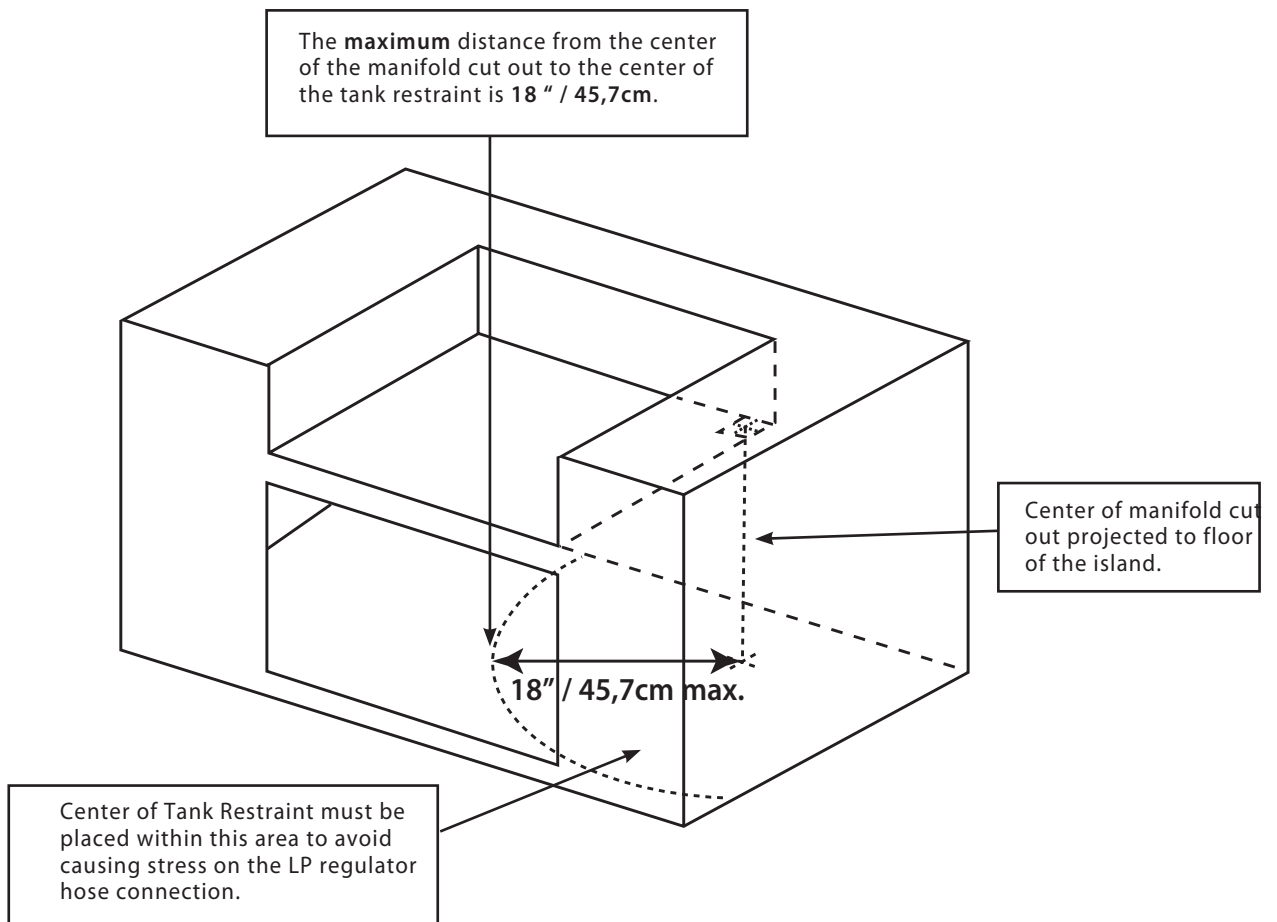


FIG. 24

# INSTALLATION

## GAS HOOK-UP

### STEP 1

Place the tank restraint in the island (Fig. 25).

### STEP 2

Locate the tank restraint in the island within the recommended area (Fig. 24 and 26).

### STEP 3

Once located, secure to the bottom of the island using all eight hole locations provided on the restraint. Wood screws can be used for wooden floors or 1/4 inch diameter anchor screws or bolts may be used if the floor is concrete or masonry (Fig. 27).

### STEP 4

When secure, place the LP cylinder into the tank restraint making sure to seat the tank all the way down, securely affixing the tank in the restraint (Fig. 28).

### STEP 5

Attach the regulator hose assembly and operate the grill normally as described in the manual (Fig. 29).

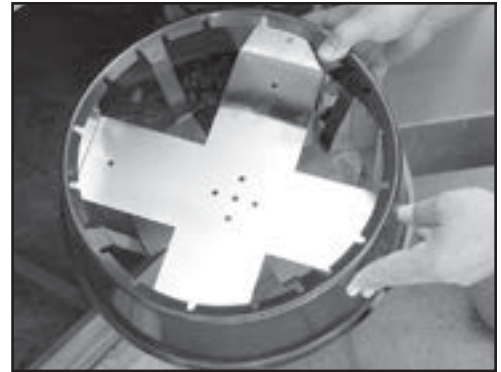


FIG. 25



FIG. 26



FIG. 27



FIG. 28

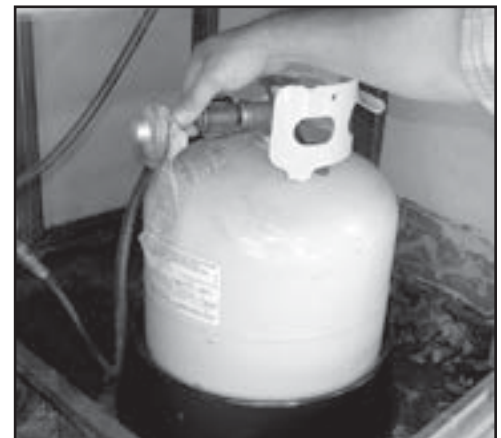


FIG. 29

# INSTALLATION

## LEAK TESTING

### GENERAL:

Although all gas connections on the grill are leak tested at the factory prior to shipment, a complete gas tightness check must be performed at the installation site due to possible mishandling in shipment, or excessive pressure unknowingly being applied to the unit. Periodically check the whole system for leaks, or immediately check if the smell of gas is detected.

### Before Testing:

**Do not smoke while leak testing. Extinguish all open flames. Never leak test with an open flame.** Make a soap solution of one part liquid detergent and one part water. You will need a spray bottle, brush, or rag to apply the solution to the fittings. For LP units, check with a full cylinder. The valve panel must be removed to check the valves and fittings. Remove the knobs and the safety valve knob, then remove the 2 screws which fasten the valve panel to the unit (you will need a Philips screw driver for this). Pull the valve panel outward and unplug the wires from the ignition module. In the back of the unit, remove the screws which hold the service panel in place. Remove the service panel.

### To Test:

Make sure all control valves are in the "OFF" position. Turn the gas supply "ON". Check all connections from the supply line, or LP cylinder up to and including the manifold pipe assembly. Apply the soap solution around the connection, valve, tubing and end of the manifold. Avoid getting the soap solution on or into the valve switches. Soap bubbles will appear where a leak is present. If a leak is present, immediately turn off gas supply, tighten any leaking connections, turn gas on, and recheck. Check all the gas connections at the base of the control valves where they screw into the manifold pipe.

BGC30-BQR models: To check rotisserie burner and safety valve the burner must be lit, then leak test the connections located behind the service panel. If you cannot stop a gas leak turn off the gas supply and call your local gas utility, or the dealer you purchased the appliance from. Only those parts recommended by the manufacturer should be used on the grill. Substitution can void the warranty.



## WARNING!

**Do not use the grill until all connections have been checked and do not leak.**

Check all gas supply fittings for leaks before each use. Keep a spray bottle of soapy water near the gas supply shut-off valve. Spray all the fittings. Bubbles indicate leaks. (Fig. 30 & 31)

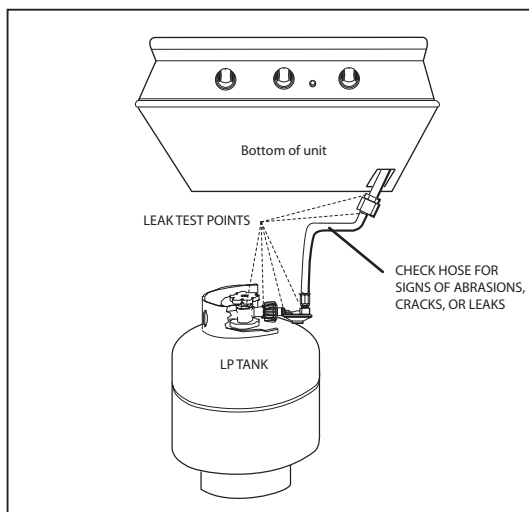


FIG. 30 LP Gas

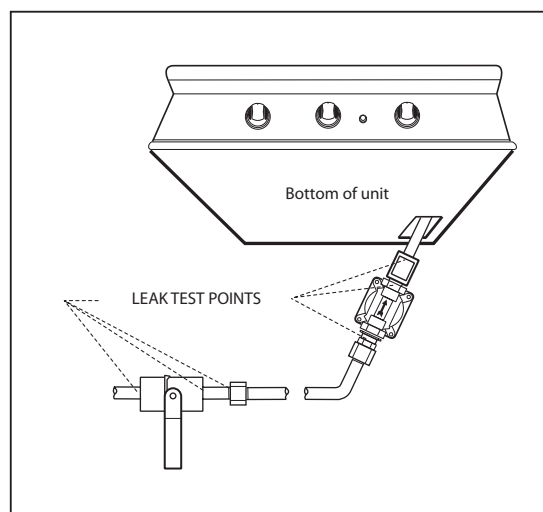


FIG. 31 Nat. Gas

# INSTALLATION

## BURNER ADJUSTMENT

### GRILL BURNER AIR ADJUSTMENT:

Each grill burner is tested and adjusted at the factory prior to shipment; however, variations in the local gas supply or a conversion from one gas type to another may make it necessary to adjust the burners. The flames of the burners (except the rotisserie burner) should be visually checked and compared to that of the drawing in Fig. 32. Flames should be blue and stable with no yellow tips (LP units may have some yellow tipping), excessive noise or lifting. If any of these conditions exist, check if the air shutter or burner ports are blocked by dirt, debris, spider webs, etc. Proceed with air shutter adjustment. The amount of air which enters a burner is governed by a metal cup at the inlet of the burner called an air shutter. It is locked in place by a screw which must be loosened prior to lighting the burner for adjustment.

### GRILL BURNER FLAME HEIGHT:

Before beginning, ensure the grill is OFF and cool. To access the grill burner air shutters, first remove the grates and radiants from the firebox, then remove the grill burner using instructions shown on page 32, Fig. 55. With a screw driver, loosen the lock screw on the face of the air shutter slightly so that the air shutter can be adjusted.

To Adjust:

1. Be careful as the burner may be very hot.
2. If the flame is yellow, indicating insufficient air, turn the airshutter counterclockwise to allow more air to the burner.
3. If the flame is noisy and tends to lift away from the burner, indicating too much air, turn the air shutter clockwise.

Reinstall the U-burner, ensuring the burner is level. Light the burner and check the flame. If all is okay, remove the burner (CAUTION - burner may be hot, allow time to cool) and tighten the air shutter screw. If not repeat the above procedure to readjust the air shutter.

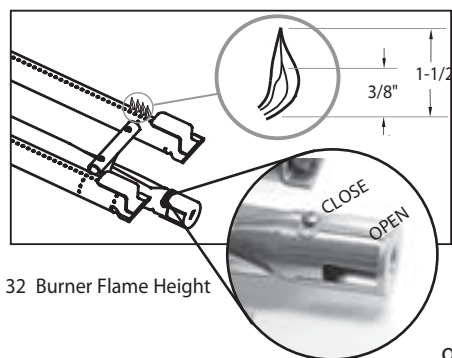


FIG. 32 Burner Flame Height

or

### LOW FLAME SETTING ADJUSTMENT:

The valves on the grill feature an adjustable low setting. Due to fluctuations in gas pressure, heating value or gas conversion, you may feel it necessary to increase or decrease gas flow in the low position. We do not recommend adjusting the infrared rotisserie burner.

To Adjust:

1. Light the burner.
2. Turn the control knob to the lowest setting (all the way counter-clockwise).
3. Remove the knob.
4. While holding the valve shaft with pliers, insert a thin, flat tipped screwdriver into the shaft and while viewing the burner adjust to a minimum stable flame (Fig. 33).

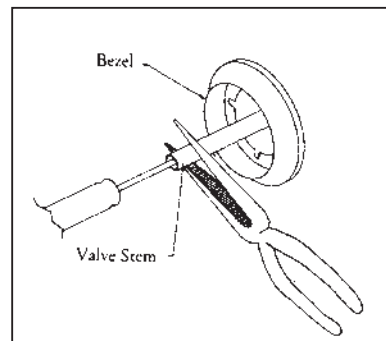


FIG. 33 Low Setting Adjustment

## **WARNING: IMPORTANT!**

Before lighting, inspect the gas supply piping or hose prior to turning the gas "on". If there is evidence of cuts, wear, or abrasion, it must be replaced prior to use.

# INSTALLATION

## RADIANT ASSEMBLY

### RADIANT ASSEMBLY INSTALLATION:

1. Unpack ceramic rods and remove radiant (Fig. 34) from the unit.
2. Unlock radiant end cap by pushing it up with two fingers (Fig. 35).
3. Place 17 ceramic rods on the radiant (Fig. 36).
4. Lock radiant end cap (Fig. 37).
5. Place the assembled radiant in the unit (Fig. 38).



FIG. 34



FIG. 35



FIG. 36



FIG. 37



FIG. 38

### **Note:**

#### ***In case a ceramic rod breaks:***

- a) Unlock radiant end cap by pushing it up with two fingers (Fig. 35) or pliers may be used.
- b) Replace broken ceramic rod.
- c) Lock radiant end cap.



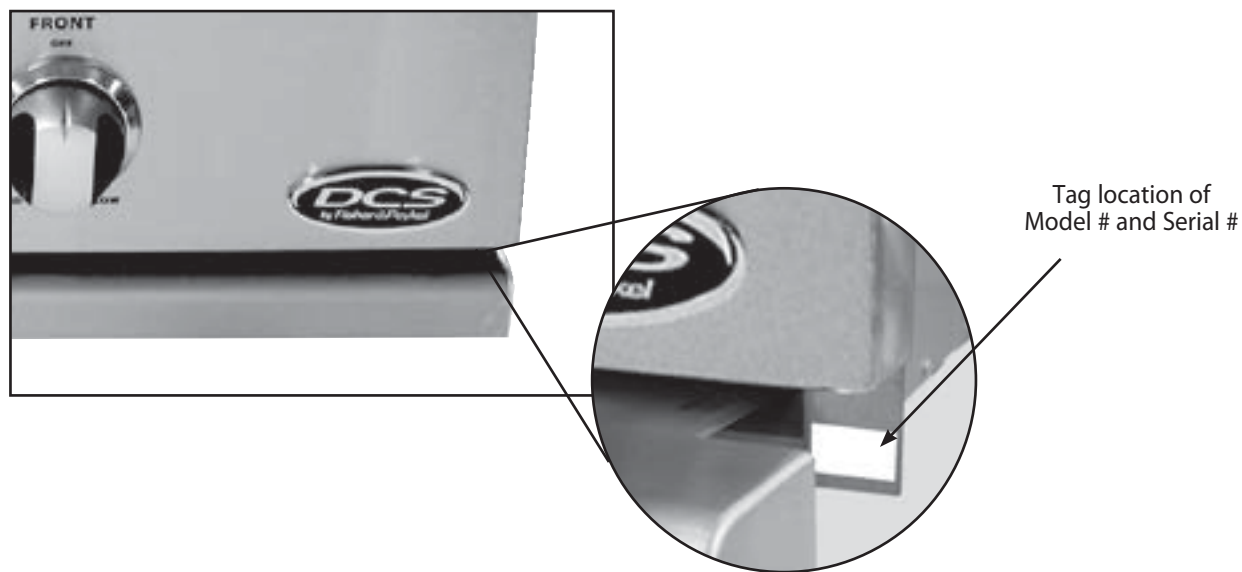
# INSTALLATION

## INSTALLER CHECKLIST

- |   |   |  |
|---|---|--|
| <input type="checkbox"/> Specified clearances maintained to combustibles.   | <input type="checkbox"/> Air shutters adjusted.   | <input type="checkbox"/> User informed of gas supply shut-off valve location.                    |
| <input type="checkbox"/> Verified proper enclosure ventilation.   | <input type="checkbox"/> Low flame setting satisfactory.  | <input type="checkbox"/> All radiants are assembled and put in place.                            |
| <input type="checkbox"/> All internal packaging and any adhesive residue removed. To remove stubborn residue, use rubbing alcohol or a commercially available adhesive remover. | <input type="checkbox"/> Drip pan in place properly and sliding freely.                                 | <input type="checkbox"/> Check match lighting.   |
| <input type="checkbox"/> Knobs turn freely, bezels centered.  | <input type="checkbox"/> Pressure regulator connected and set for 4.0" W.C. Natural, 11.0" W.C. LP gas. | <input checked="" type="checkbox"/> PLEASE LEAVE THESE INSTRUCTIONS WITH THE USER.               |
| <input type="checkbox"/> Each burner lights satisfactorily  | <input type="checkbox"/> Manual shut-off valve installed and accessible.                                | <input checked="" type="checkbox"/> USER, PLEASE RETAIN THESE INSTRUCTIONS FOR FUTURE REFERENCE. |
|   | <input type="checkbox"/> Unit tested and free of leaks.   |  |

### NOTE:

*If any of the listed items are missing, contact DCS at (888) 936-7872. Please be prepared with your Model #, Serial # and description of item(s) that are missing.*



Read all installation instructions in this manual to see if the unit has been properly installed. If not done or done correctly, correct before using the unit.

# USING THE GRILL

## LIGHTING INSTRUCTIONS

### LIGHTING INSTRUCTIONS (BCG30-BQR MODELS ONLY)

**Note:**

Turn all knobs to "OFF". Turn the main gas supply on. If you smell gas, shut-off gas supply and call for service.

**Grill Lighting Instructions:**

Open the grill lid before lighting. The grill knob is connected to the electronic ignition module. Pushing in on the grill knob will activate the ignition module to get a spark. Push in and turn the selected burner knob to "SEAR". Release the knob when the burner lights. If burner does not light in 4 to 5 seconds, turn knob "OFF" and wait 5 minutes before trying again for any accumulated gas to dissipate.



Fig. 39a

**Grill Match Lighting:**

If the burner will not light after several attempts, then the burner can be match lit. If you've just attempted to light the burner with the ignition, allow 5 minutes for any accumulated gas to dissipate. Keep your face as far away from the outdoor appliance as possible and hold a paper book match over the hole located on the top left for burner on the left, or the right hole for the right burner (Fig. 39a and Fig. 39b). Push and turn the control knob which is centered on the burner where the lit match is located, to "SEAR". If the burner does not light in 4 seconds, turn the knob off, wait 5 minutes and try again.



Fig. 39b

Once the left or right burner is lit, the adjacent burner can be lit by the cross-lighting method. Light the left or right burner using the standard or match light procedure. Push and turn the control knob for the adjacent burner to "SEAR". The gas will be ignited by the adjacent burners flame. If the burner does not light in 4 seconds, turn knob off, wait 5 minutes and try again.

### TO LIGHT THE GRILL BURNER (BCG30-BQ MODELS ONLY):

Open the grill lid before lighting. Turn all knobs to "OFF". Turn the main gas supply on slowly. If you smell gas, shut-off gas supply and call for service.

Push and hold the ignition button, turn the selected burner knob to "SEAR". If burner does not light in 4 to 5 seconds, turn knob "OFF" and wait 5 minutes before trying again for any accumulated gas to dissipate.



FIG. 40a



FIG. 40b

**Grill Match Lighting:**


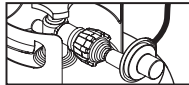

If the burner will not light after several attempts then the burner can be match lit. If you've just attempted to light the burner with the ignition, allow 5 minutes for any accumulated gas to dissipate. Keep your face as far away from the grill as possible and hold and pass a lit, paper book match over the hole located on the top left for burner on the left, or the right hole for the right burner (Fig. 40a and Fig. 40b). Push and turn the control knob which is centered on the burner where the lit match is located, to "SEAR". If the burner does not light in 4 seconds, turn the knob off, wait 5 minutes and try again.

**NOTE:**

*Improper lighting procedures can cause the LP tank flow control to activate, resulting in reduced heat output. If this is suspected, to reset flow control, shut off all burner controls and LP cylinder valve, wait 30 seconds, then turn LP cylinder valve on extremely slowly, wait five (5) seconds and push and hold the ignition button and turn burner valve on to "SEAR".*

**⚠ WARNING**

*Failure to follow the steps in the order shown may cause the Flow Limiting Device to activate resulting in extremely low gas flow and improper operation.*

|          |   |   |
|----------|---|---|
| <b>1</b> |  | All knobs must be in the OFF position before opening LP tank valve. |
| <b>2</b> |  | Attach regulator hose assembly to tank.                             |
| <b>3</b> |  | Now open the LP tank valve two (2) full turns min.                  |

# USING THE GRILL

## GRILLING

### GRILL:

Each grill section consists of a large stainless steel burner, stainless steel heat baffles, a series of ceramic rods encased in a stainless steel radiant, and a stainless steel heat retaining grate. Each burner is rated at 25,000 Btu/hr or 26.3 MJ/h. Below the burners there is a stainless steel heat baffle which reflects usable heat upward into the cooking area and reduces temperatures of the drip pan below. Above the burners are stainless steel radiants which encase the ceramic rods and protect the grill burner ports from blockage (Fig. 40).

The grill is supplied with radiant ceramic rods. Because of the porosity of ceramic rods, performance is superior in the rods' ability to capture heat as it rises from the grill burners. They also possess the thermal mass needed for even cooking performance. Flare ups are controlled because our radiant ceramic rods keep grease from getting to the flames and igniting. The intense heat produced by this system produces true grilled flavor as fats and juices are brought to the surface of the food and caramelized. Discoloration of the grates is normal after use.

### DIRECT/INDIRECT COOKING NOTES:

Direct cooking involves placing food on grates over lighted burners. Use this method for foods that take less than 20 minutes to cook or to sear larger items at the start of the cooking process that will then be indirectly cooked to finish. Place items on the preheated surface and leave until they no longer stick. Turning too soon and too often is one of the most common grilling mistakes. Never spray water on the grill or into grease. Use a meat thermometer to achieve desired doneness and remove items one degree below how you would like to enjoy them, as the resting period before carving or consuming will raise the temperature.

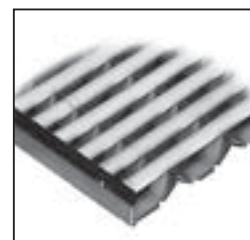
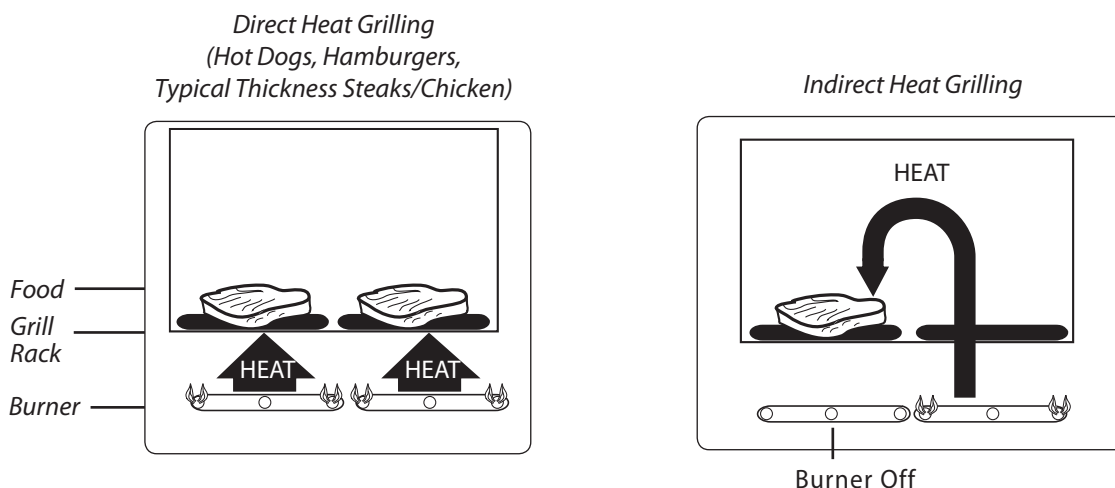


FIG. 41

Indirect cooking method is a popular alternative to direct heat grilling. Indirect cooking uses heat from adjacent burners to cook food and, in many cases, reduces the possibility of overcooked or overly browned food. Foods most appropriate for indirect grilling included breads, thicker pieces of chicken or steaks. Indirect cooking involves placing the food on grates where the burners below are not lit and then closing the grill top to create an oven effect. All the items you usually oven-roast can be grilled to perfection using indirect heating. Preheat the burners surrounding the food to be cooked. Use your basting pan to hold food and add water or chicken broth to the pan to prevent the natural juices from burning or evaporating.



# USING THE GRILL

## GRILLING

### **IMPORTANT - Using the Grill:**

Season the grates before first use, and then periodically as necessary. Seasoning will protect the grates from corrosion and keep food from sticking. See Care and Maintenance. To season the grates, pour a tablespoon of vegetable oil on a soft cloth and rub on both sides of the grates. Only a light coating is needed and some smoke may be visible during the preheating.

Grilling requires high heat for searing and proper browning. Most foods are cooked at the "MEDIUM" to "LOW" heat setting for the entire cooking time. However, when grilling large pieces of meat or poultry, it may be necessary to turn the heat to a lower setting after the initial browning. This cooks the food through without burning the outside. Foods cooked for a long time or basted with a sugary marinade may need a lower heat setting near the end of the cooking time.

1. Check to be certain the drip pan and grease tray are in place.
2. Light the grill burners using the instructions (see 'Lighting instructions').
3. Once you have verified the burners are lit, put the lid down to preheat. Preheat the grill for 5 to 10 minutes.
4. Place the food on the grill and cook to the desired doneness. Adjust heat setting, if necessary. The control knob may be set to any position between "SEAR" and "LOW" - most grilling is done between "MED" and "LOW" settings.
5. When you have finished using the grill, turn the burner knobs to "OFF" and shut off the main gas supply.
6. Allow grill to cool and clean the grates, drip pan and grease tray after each use.

### **Note:**

*If using LP gas, your preheat time may be shorter than recommended. To prevent overcooking or burning, you may want to lower heat settings.*

### **GRILLING HINTS:**

The doneness of meat, whether rare, medium, or well done, is affected to a large degree by the thickness of the cut. Expert chefs say it is impossible to have a rare doneness with a thin cut of meat. The cooking time is affected by the kind of meat, the size and shape of the cut, the temperature of the meat when cooking begins, and the degree of doneness desired. When defrosting meats it is recommended that it be done overnight in the refrigerator as opposed to a microwave. This in general yields a juicier cut of meat. Use a spatula instead of tongs or a fork to turn the meat, as a spatula will not puncture the meat and let the juices run out. To get the juiciest meats, add seasoning or salt after the cooking is finished and turn the meat only once (juices are lost when the meat is turned several times). Turn the meat just after the juices begin to bubble to the surface. Trim any excess fat from the meat before cooking. To prevent steaks or chops from curling during cooking, slit the fat around the edges at 2-inch (5cm) intervals.

# USING THE ROTISSERIE (BGC30-BQR MODELS ONLY)

The grill rotisserie system is designed to cook items from the back using infrared heat. The location of the burner allows the placement of the rotisserie basting pan (included) beneath the food to collect juices and drippings for basting and gravy. To flavor the contents of the basting pan, you can add herbs, onion, garlic, or spices. Hams are especially good with the addition of pineapple slices and brown sugar to the basting pan. The rotisserie burner is an infrared type which provides intense searing radiant heat. Preferred by chefs over other methods, this intense heat is magnificent for searing in the natural juices and nutrients found in quality cuts of meat.

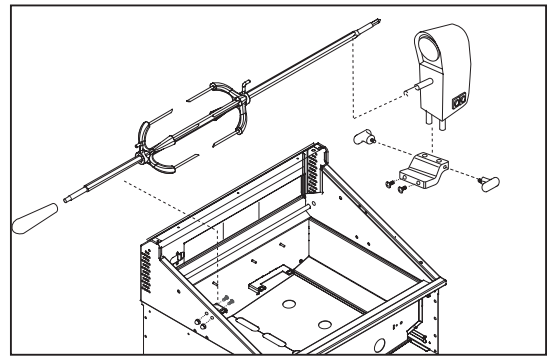


FIG. 42

Once lit, the rotisserie burner will reach cooking temperatures in about 1 minute. The orange/red glow will even out in about 5 minutes. The rotisserie motor is equipped with metal gears and is capable of turning up to a 50 lb. cut of meat or poultry. The rotisserie motor on the grills is secured down to a cast rotisserie block with two black screw-down knobs. The rotisserie block is in turn bolted to the right side panel. The rod for the rotisserie is assembled into the motor assembly by placing the pointed end into the motor, and resting the handle end on the support at the left side of the grill. With the rod pushed as far as possible into the motor, the round end of the rod should rest on the rollers.

To load the rod begin with the handle in place, and slide one of the meat holders (prongs facing away from the handle) onto the rod. Push the rod through the center of the food, then slide the second meat holder (prongs toward the food) onto the rod. Center the product to be cooked on the rod then push the meat holders firmly together. Tighten the 'L'- shape screw with pliers. It may also be necessary to wrap the food with butchers string or dental floss (never use nylon or plastic string) to secure any loose portions. Once the food is secure, insert the rod into the motor. If needed, remove the grill grates. Place the basting pan beneath the food. It is normal for the rod to flex when larger cuts of meat are being cooked.

Also, the motor is equipped with a halogen bulb to provide light when other sources of light are not sufficient. Use only a 50W (or equivalent) Max. Halogen Narrow Flood replacement bulb.

## **WARNING!**

Halogen lamps are constructed of a glass bulb with a pressurized internal filament tube that operates at high temperatures and could unexpectedly shatter. Should the outer bulb break, particles of extremely hot glass could be discharged into the fixture enclosure and/or surrounding environment, thereby creating a risk of personal injury or fire. When replacing the bulb, let the bulb cool, and assure that power to the light has been turned off. Never allow the hot bulb to come into contact with water. **DO NOT TOUCH** the light bulb when in use. It may be hot enough to cause injury.

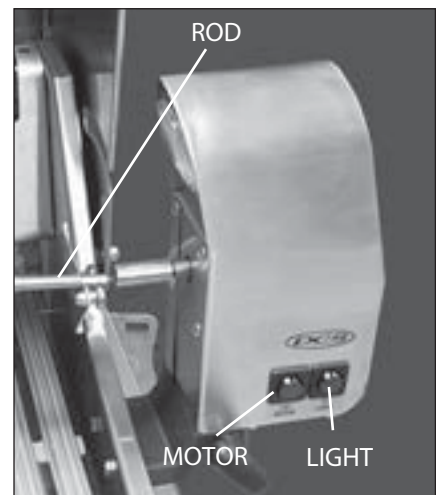


FIG. 43

# USING THE ROTISSERIE (BGC30-BQR MODELS ONLY)

## **WARNING!**

Never have the grill burners (bottom burners) on during Rotisserie cooking. It will burn your meat and make it very dry. Use only one section at a time, grill or rotisserie.

### PREPARATION

#### Recommended:

Dental floss or butcher string, scissors, broiler pan (bottom only), pliers, instant read thermometer, foil, and hot pads.

#### Working Area:

Allow enough space to accommodate food and rotisserie rod assembly in a clean environment.

#### Meat Preparation:

Tie meat with butcher string or Dental floss in three areas. Buy a roast that is equally balanced from top to bottom in size. The meat will cook more evenly while on the Rotisserie. For Poultry, tie wings and legs to the body using Dental floss or butcher string to prevent flopping around while turning. (Fig. 44)



FIG. 44

1. Determine the center placement for the food, put first prong on the rod, turn 'L'- shaped screw to tighten.
2. Center tied meat/poultry on the rod, place second prong, turn 'L'- shaped screw to tighten. (Fig. 45)
3. Pick up the rod, rotate it to check for balance. If not, adjust prongs and food to balance. Take pliers and tighten the 'L'- shaped screws on both sides of the prong.
4. Remove grates and top rack on the grill. Place bottom portion of broiler pan on ceramic rods, so meat drippings can be caught in pan. (Fig. 46)



FIG. 45



FIG. 46

# USING THE ROTISSERIE (BGC30-BQR MODELS ONLY)

## TO LIGHT THE ROTISSERIE BURNER BEFORE COOKING:

The location of the rotisserie burner makes it more susceptible to strong wind conditions, more so than the protected grill burners. For this reason, you should avoid operating the rotisserie during windy conditions. As an added safety feature we've equipped the burner with an automatic safety valve which will not allow gas to flow to the rotisserie burner unless the following conditions are present with the knob on:

1. The safety valve button is pressed, and held down.
2. The safety valve thermocouple has been sufficiently heated to keep safety valve open.

Open the lid. Push and hold the control knob. You'll hear a snapping sound. Turn the control knob to "HI". Engage the safety valve button and continue to hold until the burner is lit. Once lit, turn control knob to desired setting. If the burner does not light within 4 to 5 seconds, release the safety valve button and turn the control knob to "OFF" and wait 5 minutes before trying again.

- *If relighting a hot burner, wait 5 minutes.*
- *Never leave the control knob on if rotisserie is not in use.*
- *Never light a grill burner under the rotisserie while rotisserie burner is lit.*

## MANUAL LIGHTING:

To manually light the rotisserie, place a butane lighter near the tip of the thermocouple as shown in Fig. 47. Turn the control knob to "HI". Hold the safety valve button in for about 4 to 5 seconds or until the burner remains lit. Once lit, turn control knob to desired setting. If the burner does not light within 4 or 5 seconds, release the safety valve button and turn the control knob to "OFF" and wait 5 minutes before trying again.

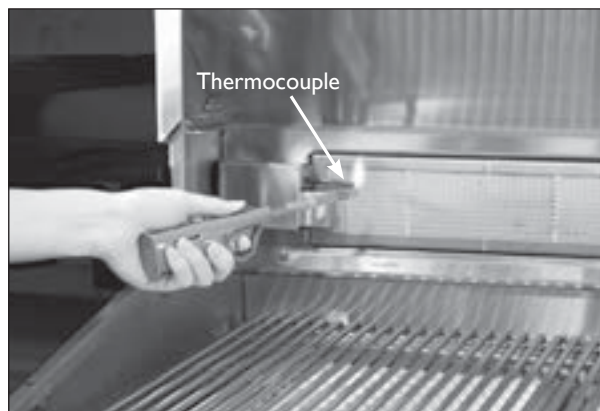


FIG. 47

## **WARNING!**

Keep hands and face away from front of burner! STAND TO THE SIDE WHEN LIGHTING. ONCE LIT MOVE HAND AWAY QUICKLY.

## **WARNING!**

**Electrical Grounding Instructions:** This appliance (rotisserie motor) is equipped with a three-prong (grounding) plug for your protection against shock hazard and should be plugged directly into a properly grounded three-prong receptacle or a three-prong grounded extension cord rated for the power of the rotisserie motor and approved for outdoor use with a W-A marking. Do not cut or remove the grounding prong from this plug. Use only a ground fault interrupter (GFI) protected circuit.

The Rotisserie motor must be electrically grounded in accordance with local codes or, in the absence of local codes, with the National Electrical Code, ANSI/NFPA 70. Keep the Rotisserie motor electric cord away from the heated surfaces of the grill. When not in use, remove and store the motor in a dry location. To protect against electric shock, do not immerse the cord or plug in water or other liquid. Unplug rotisserie unit from the outlet when not in use and before cleaning. Allow the rotisserie to cool before putting on or taking off parts.

# USING THE ROTISSERIE (BGC30-BQR MODELS ONLY)

## COOKING ON ROTISSERIE

1. Place prepared rod into motor, lay across into the rollers on the other side (Fig. 48).
2. Verify placement as shown in Fig. 49.
3. Ignite burner, start rotisserie motor, and keep on rotisserie valve to the desired setting.
4. To check temperature of meat, turn off motor, turn temperature to low while using your instant-read thermometer. For poultry it should read 170° in the breast. Thermometer should touch the breastbone, then lift up 3/4 inch from the bone to get a more accurate temperature reading. Remove thermometer and turn on motor, return heat to high if more cooking is needed. Repeat above instructions (Fig. 50).
5. When you have finished using the rotisserie, turn off motor and turn the rotisserie knob to "OFF". If you have finished using the appliance altogether, turn the main gas supply off too.
6. Remove the rod, using hot pads, place meat or poultry on broiler pan, then remove prongs (Fig. 51).

## **WARNING!**

The fork rods are very sharp. Keep hands away from tips when removing the food.

7. Cover with foil for a 15 to 20 minute waiting time. Meat will carve better and juices will go back into the meat.



FIG. 48



FIG. 49



FIG. 50



FIG. 51



# CARE AND MAINTENANCE

## BATTERY REPLACEMENT:

1. Remove drip pan.
2. Open cart door (on cart model only)
3. Pull battery downwards (this may require use of pliers).
4. Re-install upward and push to snap - Fig. 52. (polarity is shown in Fig. 53).

### Note:

*Battery condition should be checked at least once a year.*

## REGULATOR AND HOSE REPLACEMENT

The pressure regulator and hose assembly supplied with the unit must be used. If replacements are needed, contact Customer Care (888) 936-7872. Do not use the grill if the odor of gas is present. If the unit is LP, screw the regulator into the tank and leak check the hose and regulator connections with a soap and water solution before operating the grill. Turn all knobs to "OFF" then turn on the gas supply. If LP, is there gas in the tank?

- Always keep your face and body as far away from the grill as possible when lighting.
- DO NOT leave the grill unattended while cooking.
- Keep a spray bottle of soapy water near the gas supply valve and check the connections before each use.
- Do not attempt to "LITE" the grill if the odor of gas is present.
- Wait 5 minutes before relighting a hot grill.



## WARNING: IMPORTANT!

Before each use, inspect the gas supply piping or hose prior to turning the gas "on". If there is evidence of cuts, wear, or abrasion, it must be replaced prior to use.

## GRILL GRATES:

Method 1: Turn on "HI" for 15-20 minutes to burn any remaining food particles. After turning the grill "OFF", use a bristle barbecue brush to remove any remaining food particles or ash.

Method 2: The easiest way to clean the grill is immediately after cooking is completed and after turning off the flame. Wear a barbecue mitt to protect your hand from the heat and steam. Dip a soft brass barbecue brush in a mixture of 2 cups of tap water and 1/2 cup of vinegar and scrub the hot grill. Dip the brush frequently in the bowl of water and vinegar. Steam, created as water contacts the hot grill, assists the cleaning process by softening any food particles. The food particles will fall onto the ceramic rods and burn or fall into the drip pan. If the grill is allowed to cool before cleaning, cleaning will be more difficult.

Method 3: Take about 1 foot of aluminum foil, crumpled up in a ball and rub it over cooled grates to release food particles.

### Note:

*Grill grates must be re-seasoned after cleaning to prevent rust stains.*

## DRIP PAN AND GREASE TRAY:

The full width drip pan with grease tray will collect grease from the grill section and boil overs and spills from the power burners. Allow the pan and its contents to cool before attempting to clean. Clean grease from the pan often to avoid the possibility of a grease fire.

## CERAMIC RODS:

It is not necessary to remove the ceramic rods for cleaning. They burn themselves clean during the next cooking operation. Periodically the trays holding the ceramic rods need to be turned over, and shaken free of debris for a thorough cleaning. How often you use the grill and the amount and type of food cooked will determine when it is necessary to clean the trays. If grease can be seen on the top of the tubes or if you get a lot of flare-up during cooking, the tubes need to be turned over and heated on "HI" for 30 minutes; longer for heavy soil.

## STAINLESS STEEL:

The grill is made from non-rusting and non-magnetic stainless steel. After initial usage, areas of the grill may discolor from the intense heat given off by the burners, this is normal. There are many different stainless steel cleaners available. Always use the mildest cleaning procedure first, scrubbing in the direction of the grain. To touch up noticeable scratches in the stainless steel, sand very lightly with wet 100 grit emery paper in the

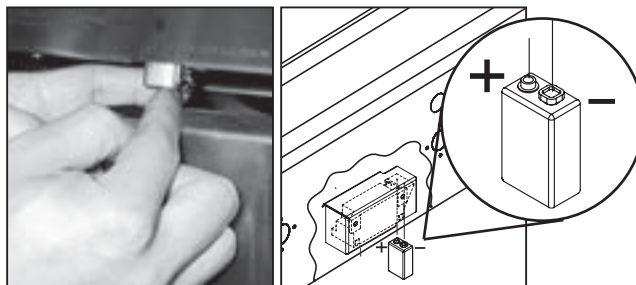


FIG. 52

FIG. 53

con-

# CARE AND MAINTENANCE

direction of the grain. Specks of grease can gather on the surfaces of the stainless steel and bake on to the surface and give the appearance of rust. For removal use an abrasive pad (Scotch Brite is good) in conjunction with a stainless steel cleaner. Always rub in the direction of the grain.

## Note:

*Stainless steel tends to corrode in presence of chlorides and sulfides especially in coastal areas. To ensure corrosion prevention, wash all stainless steel surfaces every 3-4 weeks with fresh water and stainless cleaner. Keep grill covered when not in use.*

## ELECTRODES:

Wipe with a water dampened cotton swab. Be careful not to damage the electrode (see Fig. 54).

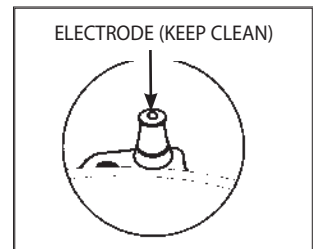


FIG. 54

## GRILL BURNER:

Ensure gas supply has been turned off. Remove the grill grates, then lift out the grill radiant tray. Grasp the burner, pull it up and slightly to the rear of the unit so the burner head comes off the brass orifice at the front, angle the burner sideways, and remove.



FIG. 55 U-Burner

## TO REMOVE THE U-BURNERS FOR CLEANING

Grip the U-burner as shown in the photo (Fig. 55) and press downwards with your thumbs on the bracket in the back while lifting up on the U-Burner. In some cases it may be necessary to use a screw driver to pry open the slot to release the U-burner. After cleaning, when re-installing the U-Burner ensure the U-Burner is completely level and locked in place. This is needed to ensure your grill provide even cooking performance.

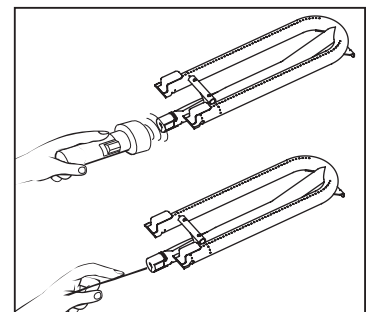


FIG. 56

## GRILL BURNER CLEANING:

Clean the exterior of the burner with a stainless steel wire brush. Clear stubborn scale with a metal scraper. Clear any clogged ports with a straightened paper clip. Never use a wooden toothpick as it may break off and clog the port. Shake out any debris through the air shutter. Use a flashlight to inspect the burner inlet to ensure it is not blocked. If obstructions can be seen, use a metal wire coat hanger that has been straightened (Fig. 56).

## ORIFICE CLEANING:

With the burner removed, remove the orifice and shine a flashlight through the opening to ensure there is no blockage. Use a needle to clear any debris. Be extremely careful not to enlarge the hole or break off the needle. See Fig. 56.

## Note:

*When replacing grill burners or orifices following cleaning, confirm orifice penetration into burner as shown in Fig. 57.*

Be careful not to upset the air shutters' original position (unless readjusting). Lower the rear of the burner into the cutouts on the support channel at the rear of the burner box. Make sure it is level and does not rock. Light all of the burners and check for proper flame characteristics. If adjustments are necessary, refer to page 21. Do this prior to cooking on the grill.

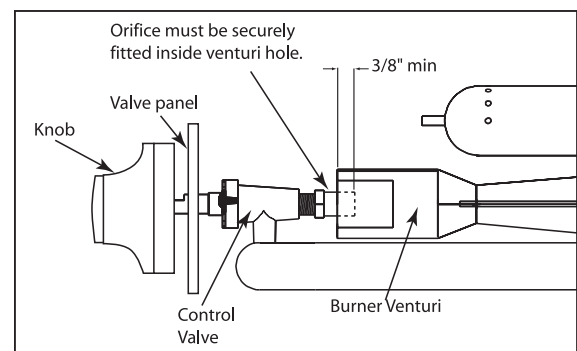
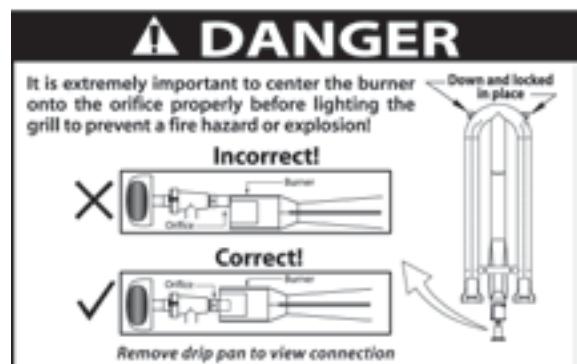


FIG. 57

# TROUBLESHOOTING

## **BEFORE CALLING FOR SERVICE:**

If the grill does not function properly, use the following checklist before contacting your dealer for service. You may save the cost of a service call. Troubleshooting is for general purposes only. If the problem persists and you feel you require service, contact your dealer or the nearest authorized agency to perform service. Only authorized agencies can perform warranty service. **Call DCS Customer Care at (888) 936-7872.**

## **GRILL WON'T LIGHT WHEN THE CONTROL KNOB IS PUSHED:**

1. Is the gas supply turned on?
2. Ensure the grill is cool. Remove the grill top grates and the ceramic radiant trays, watch the electrode tip. You should see a spark jump from the tip of the electrode when the control knob is pushed.
3. If there is no spark when control knob is pushed, check the battery condition. Battery condition should be checked at least once a year.
4. Attempt to match light the burner (see page 24 & 29). Check to see that other burners on the unit operate. Clean ignition tip of any debris.

## **BURNER FLAME IS YELLOW OR ORANGE, IN CONJUNCTION WITH THE ODOR OF GAS:**

1. Check the burner inlet for obstructions such as spider webs. Check the air shutter for proper adjustment.
2. Grill may be in a dusty area. Move to less dusty area if possible.

## **LOW HEAT WITH KNOB IN "HI" POSITION:**

1. If only one of the burners appears low, clean the orifice and burner, clearing ports of any obstruction (see page 32).
2. Grill may be in a dusty area. Move to less dusty area if possible.
3. Check for proper gas supply and pressure.
4. Pre-heat grill for a full 15 minutes.
5. If using LP gas, check for empty tank.

## **ROTISSERIE WON'T LIGHT:**

1. Is the gas supply turned on?
2. Is there is a spark at the electrode?
3. Does the rotisserie burner light when attempting to light with butane lighter (Fig. 47)?

## **ROTISSERIE LIGHTS, BUT WILL NOT HOLD FLAME ONCE BUTTON IS RELEASED:**

1. Continue holding safety valve button in depressed position until burner remains lit when released.

# SERVICE

## HOW TO OBTAIN SERVICE:

For warranty service, please contact your local service provider or DCS Customer Care Representative at (888) 936-7872. Before you call, please have the following information ready:

- Model Number (can be found on the inside, right side panel behind the drip pan handle. See page 23.)
- Serial Number (can be found on the inside, right side panel behind the drip pan handle. See page 23.)
- Code (can be found on the inside, right side panel behind the drip pan handle. See page 23.)
- Date of installation
- A brief description of the problem

Your satisfaction is of the utmost importance to us. If a problem cannot be resolved to your satisfaction, please write:

Fisher & Paykel Appliances Inc.  
Attention: DCS Customer Care  
695 Town Center Drive, Suite 180  
Costa Mesa, CA 92626-1902 USA  
email: [customer.care@fisherpaykel.com](mailto:customer.care@fisherpaykel.com)





# À L'INTENTION DE NOS CLIENTS

Nous vous remercions d'avoir choisi ce gril de la série professionnelle « BGC » de DCS. Nous avons conçu ce Manuel pour expliquer les fonctions uniques de ces appareils. Ce manuel contient des informations extrêmement utiles sur la façon correcte de faire fonctionner votre nouvel appareil et d'en faire l'entretien. Vous pourrez ainsi en profiter pendant des années en toute sécurité.

Aidez-nous à mieux vous servir en remplissant l'enregistrement de produit et en nous le soumettant depuis notre site Web à [www.dcsappliances.com](http://www.dcsappliances.com). Sélectionnez « Customer Care » sur la page d'accueil puis « Product Registration ». De plus, gardez ce manuel à portée de main afin de rapidement trouver réponse à vos questions durant l'utilisation de votre nouvel appareil.

Si vous avez des questions au sujet de notre produit, communiquez avec un représentant du centre de service à la clientèle DCS par téléphone au 1-888-936-7872, ou par courriel : [customer.care@fisherpaykel.com](mailto:customer.care@fisherpaykel.com).

**REMARQUE :** Veuillez noter les numéros de modèle, code, et de série sur cette page pour information (peut se trouver sur le panneau latéral intérieur droit, derrière la poignée du ramasse-gouttes. Voir page 24.)

NUMÉRO DE MODÈLE \_\_\_\_\_ CODE \_\_\_\_\_ NUMÉRO DE SÉRIE \_\_\_\_\_

**REMARQUE :** Inspecter le produit pour vérifier qu'il n'a pas été endommagé pendant l'expédition. En cas de dommages, contacter le transporteur et entamer une déclaration pour dommage. DCS by Fisher & Paykel n'est en aucun cas responsable des dommages pendant l'expédition.

*Ne pas jeter le matériau d'emballage (boîte, palette, sangles) avant d'avoir inspecté l'unité.*

## **AVERTISSEMENT!**

N'essayez pas d'allumer l'appareil sans avoir lu la section « Instructions d'allumage » de ce manuel. Toute installation, ajustement, altération ou entretien incorrect peut causer des dommages matériels, des blessures ou la mort. Veuillez lire soigneusement ces instructions d'installation, d'utilisation et d'entretien avant d'utiliser, installer ou effectuer l'entretien de cet appareil. Cet appareil de cuisson à gaz pour l'extérieur n'est pas conçu pour être installé dans ou sur des véhicules récréatifs, des bateaux ou dans une pièce sans aération. Pour usage en plein air uniquement.

## **POUR VOTRE SÉCURITÉ**

1. Évitez de stocker ou d'utiliser de l'essence ou tous autres liquides et vapeurs inflammables à proximité de cet appareil ou de tout autre appareil électroménager.
2. Évitez de ranger une bouteille de gaz propane (qui n'est pas connectée car non utilisée) à proximité de cet appareil électroménager ou de tout autre.

## **POUR VOTRE SÉCURITÉ**

Si vous sentez une odeur de gaz :

1. Coupez l'arrivée de gaz de l'appareil.
2. Éteignez toute flamme vive.
3. Enlevez le couvercle s'il est mis.
4. Si l'odeur continue, se tenir à distance de l'appareil et appeler immédiatement la compagnie du gaz ou les pompiers.

**VEUILLEZ CONSERVER CE MANUEL À TITRE DE RÉFÉRENCE.**

# TABLE DES MATIÈRES

|   |       |
|---|-------|
| MESURES DE SÉCURITÉ ET DE PRÉCAUTION                          | 3-6   |
| MODÈLES DE GRIL   | 7     |
| INSTALLATION  |       |
| Emplacement du gril et des dégagements                        | 8-10  |
| Détails d'une construction intégrée                           | 11-12 |
| Instructions de montage de chariot                            | 13-16 |
| Branchement du gaz  | 17-20 |
| Test de détection des fuites                                  | 21    |
| Réglage du brûleur du gril                                    | 22    |
| L'ensemble du radiant   | 23    |
| Liste de contrôle de l'installateur                           | 24    |
| UTILISATION DU GRIL   |       |
| Instructions d'allumage                                       | 25    |
| Cuisson sur gril  | 26-27 |
| UTILISATION DE LA RÔTISSOIRE<br>(CERTAINS MODÈLES UNIQUEMENT) | 28-31 |
| ENTRETIEN ET NETTOYAGE  | 32-34 |
| DÉPANNAGE   | 35    |
| SERVICE   | 36    |



# MESURES DE SÉCURITÉ ET DE PRÉCAUTION

## **IMPORTANTE CONSIGNE DE SÉCURITÉ!**

Certains fournisseurs de propane liquide peuvent remplir les bonbonnes de propane liquide du gril au-delà de leur capacité. Ce trop-plein peut créer une situation dangereuse.

Une accumulation de pression peut effet se produire dans les bouteilles trop remplies. En tant que dispositif de sécurité, la soupape de décharge évacue les vapeurs de gaz propane afin de diminuer l'excédent de pression. Ces vapeurs sont combustibles et peuvent donc prendre feu. Pour réduire les risques de danger, prenez les précautions suivantes :

1. Lors du remplissage de la bouteille, assurez-vous que votre fournisseur ne dépasse pas les 3/4 (75 %) de sa capacité totale.
2. Si vous possédez ou utilisez une bouteille supplémentaire, ou si elle est déconnectée, ne la rangez JAMAIS à proximité ou en dessous du gril ou d'un poêle, ni près d'une quelconque source d'ignition ou de chaleur. Un autocollant métallique portant cet avertissement est fourni avec le gril pour vous rappeler cette consigne, ainsi qu'à votre famille et aux autres personnes qui pourraient utiliser le gril. Apposer cet autocollant à proximité de votre gril.
3. N'entreposez pas de bouteille de gaz pleine à la lumière directe du soleil.

## **AVERTISSEMENT!**

N'essayez pas d'allumer l'appareil sans avoir lu la section « INSTRUCTIONS D'ALLUMAGE » de ce manuel. Ce gril est conçu pour un usage en plein air uniquement.

## **AVERTISSEMENT!**

Enfonchez le bouton d'allumeur et tournez le bouton du brûleur choisi à la position « SEAR ». Si le brûleur ne s'allume pas après 4 ou 5 secondes, mettez le bouton sur « OFF » et patientez 5 minutes avant d'essayer de nouveau, afin de laisser le temps au gaz accumulé de se dissiper.

## **AVERTISSEMENT : IMPORTANT!**

Avant chaque utilisation, inspectez le tube ou tuyau d'alimentation en gaz avant d'ouvrir le gaz. S'il porte des signes de coupures, usure ou abrasion, remplacez-le avant l'utilisation.

Ne laissez jamais l'appareil sans surveillance pendant l'utilisation.



AUTOCOLLANT



- Commencez par vous assurer que l'installation et l'entretien sont effectués correctement. Suivez les instructions d'installation fournies avec ce produit. Faites installer le gril par un installateur qualifié. Demandez-lui de vous montrer l'emplacement du robinet d'arrêt de l'alimentation de gaz de manière à savoir où et comment couper le gaz. Si vous sentez une odeur de gaz, cela signifie que l'installateur n'a pas vérifié correctement s'il y avait des fuites. Si les connexions ne sont pas parfaitement étanches, une petite fuite pourrait se produire et laisser s'échapper une faible odeur de gaz. La détection des fuites n'est pas une procédure à faire soi-même. Certaines fuites ne peuvent être détectées que si la commande du brûleur est en position « ON » et ceci doit être fait par un technicien qualifié.

# MESURES DE SÉCURITÉ ET DE PRÉCAUTION

- Ne rangez pas d'objets pouvant intéresser les enfants autour ou en dessous du gril, dans le chariot ou une enceinte de maçonnerie. Ne laissez jamais les enfants ramper à l'intérieur d'un chariot ou d'une enceinte.
- Il ne faut ni attacher ni connecter une bouteille de propane, ni déplacer ni modifier les raccords de gaz lorsque le gril fonctionne ou qu'il est chaud.
- Nettoyez le grill et effectuez un entretien général deux fois par an. Surveillez toute apparition de corrosion, de fissures ou activité d'insectes. Inspectez soigneusement le détendeur, les tuyaux, les têtes de brûleurs, les obturateurs d'air et la section venturi/valve. Fermez toujours le gaz à la source (bouteille ou conduite d'alimentation) avant d'inspecter les pièces.
- Après une période de remisage ou de non utilisation (pendant l'hiver par exemple), le gril au gaz doit être inspecté pour toute présence éventuelle de fuites de gaz, toute détérioration, un bon assemblage et toute obstruction des brûleurs avant utilisation.
- Ne laissez jamais des vêtements, gants ou autres matériaux inflammables en contact ou à proximité d'une grille, d'un brûleur ou d'une surface chaude tant qu'ils n'ont pas refroidi. Les tissus peuvent s'enflammer et causer des blessures.
- Ne chauffez pas de contenant de nourriture fermé car la pression pourrait s'accumuler et le faire exploser.
- Ouvrez toujours le couvercle du gril d'une main recouverte, en vous y prenant lentement, afin de laisser s'échapper la chaleur et la vapeur.
- Ne vous penchez jamais au-dessus d'un gril ouvert. Ne faites jamais fonctionner le gril sans un bac à graisse. Lorsque vous allumez un brûleur, faites très attention à ce que vous faites. Assurez-vous de bien enfoncer le bouton d'allumage lorsque vous tentez d'allumer le gril.
- Après avoir allumé les brûleurs, veillez à ce que les brûleurs fonctionnent normalement (voir page 20).
- Lorsque vous utilisez le gril, évitez de toucher la grille du brûleur ou la zone immédiate car celle-ci devient très chaude et peut causer des brûlures.
- La graisse est inflammable. Laissez toute graisse chaude refroidir avant d'essayer de la manipuler. Évitez de laisser la graisse s'accumuler dans le ramasse-gouttes. Nettoyez souvent.
- N'utilisez pas de papier aluminium pour recouvrir les ramasse-gouttes ou les grilles du gril ou les radiants. Ceci peut sérieusement affecter le débit d'air de combustion ou retenir une quantité excessive de chaleur dans la zone de contrôle. Cela peut faire fondre les boutons ou les boutons d'allumage.
- Ne pas faire fonctionner avec un cordon ou une fiche endommagés ou après les défauts de fonctionnement ou si l'appareil est endommagé de toute façon. Contactez le fabricant pour la réparation.
- Ne laissez pas le cordon de la rôtissoire pendre par-dessus le bord d'une table ou toucher des surfaces chaudes.
- N'utilisez pas un appareil de cuisson extérieur pour des buts autres que prévu.

Pour assurer votre propre sécurité, habillez-vous de façon appropriée. Ne portez jamais de vêtements ou de manches lâches lorsque vous utilisez cet appareil. Certains tissus synthétiques sont extrêmement inflammables et ne doivent pas être portés pendant la cuisson. Seuls certains types d'ustensiles en verre, vitrocéramique calorifugée, poterie ou émaillés sont appropriés pour être utilisés avec un gril. Ces matériaux peuvent se briser à la suite de changements de température subits. Utilisez-les seulement à feu doux ou moyen selon les instructions du fabricant.



## **AVERTISSEMENT!**

Les araignées et insectes peuvent faire leur nid dans les brûleurs du gril, empêchant ainsi le gaz de s'écouler au travers du brûleur. Le gaz circulera de l'avant du brûleur dans le tableau de commande. Ceci est très dangereux et peut provoquer un feu derrière le panneau des valves, ce qui endommagerait les composants du gril et rendrait son utilisation dangereuse.



## **AVERTISSEMENT!**

Gardez la zone entourant le gril libre de matériaux combustibles et de rebus, ou de fluides et vapeurs combustibles tels que l'essence ou du liquide d'allumage pour charbon de bois. N'obstruez pas le débit de l'air de combustion et de ventilation.

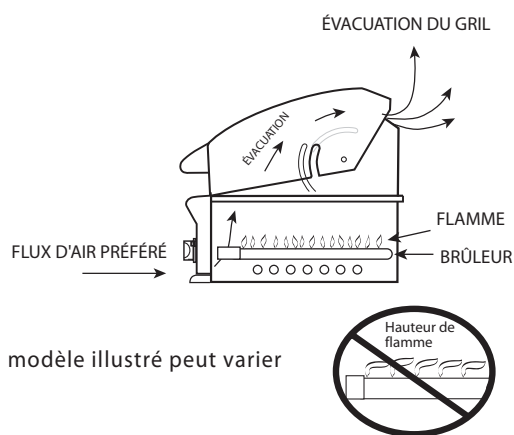


## **AVERTISSEMENT!**

N'utilisez jamais le gril s'il vente. Si vous vous trouvez dans une région où il vente constamment (bord de mer, sommet de montagne, etc.), vous devez utiliser un coupe-vent. Respectez toujours les dégagements comme spécifiés dans la section "INSTALLATION" de ce manuel.

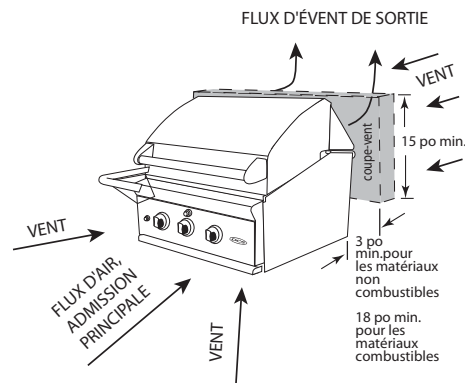
# MESURES DE SÉCURITÉ ET DE PRÉCAUTION

## EMPLACEMENT DU GRIL



modèle illustré peut varier

Le vent qui frappe le grill pendant son utilisation, particulièrement les vents soufflant dans ou sur cet espace de hotte, peut entraîner une performance médiocre et, dans certains cas, peut rendre le panneau de commande extrêmement chaud.



Si le vent est un problème, il faut ajouter un coupe-vent. Le coupe-vent doit être supérieur au haut de l'ouverture sur l'arrière du grill. Le dégagement entre le coupe-vent et le grill doit être 3 po min. pour les matériaux non combustibles et 18 po min. pour les matériaux combustibles.

- Si vous utilisez les brûleurs latéraux en option, servez-vous toujours d'ustensiles à fond plat assez grands pour couvrir les brûleurs latéral. Ajustez la flamme pour qu'elle ne chauffe que le fond du récipient afin de ne pas mettre le feu aux vêtements. Placez les poignées à l'écart des bords ouverts de l'appareil pour éviter de causer des brûlures dues à un renversement accidentel du contenu des récipients. Tenez la poignée du récipient pour empêcher tout mouvement de l'ustensile lorsque vous retournez ou remuez la nourriture. Pour assurer un bon allumage et une bonne performance des brûleurs, gardez les ports dans un état propre. Il faut les nettoyer périodiquement pour garantir des performances optimales.
- Nettoyez le grill avec précaution. Évitez de vous brûler à la vapeur; n'utilisez pas d'éponge ou de chiffon mouillé pour nettoyer le grill quand il est chaud. Certains produits de nettoyage produisent des vapeurs nocives ou peuvent prendre feu s'ils sont appliqués à une surface chaude.
- Assurez-vous que les boutons du grill sont fermés et que le grill est froid avant d'utiliser des nettoyants aérosol à proximité. L'élément chimique qui produit le jet de vaporisation peut, en présence de chaleur, s'enflammer ou provoquer la corrosion des parties métalliques.
- N'utilisez pas le grill pour cuire des viandes ou des produits très gras pouvant alimenter les flammes.
- Ne grillez jamais sans que le ramasse-gouttes et le récipient à graisse ne soient en place et enfoncés jusqu'au fond du grill. Sans cela, de la graisse chaude pourrait s'écouler vers le bas et créer un risque d'incendie ou d'explosion.
- Ne faites pas fonctionner le grill sous une construction combustible non protégée. Utilisez-le seulement dans un lieu bien aéré. N'utilisez pas l'appareil à l'intérieur de bâtiments, garages, abri, passages couverts, structure couverte ou autres lieux clos. Cet appareil est conçu pour un usage en plein air uniquement.
- Si un appareil à chariot est rangé à l'intérieur, assurez-vous qu'il est froid, rabattez la tablette latérale, puis poussez le grill (ne le tirez jamais) et ne poussez ou tirez jamais sur les tablettes latérale. Si la bouteille contient du propane liquide, débranchez-la et rangez-la, à l'extérieur, dans un endroit bien aéré, hors de portée des enfants.
- N'utilisez jamais le grill dans un lieu venteux.
- N'utilisez pas de charbon de bois ou de liquide d'allumage dans le grill.
- Gardez les cordons électriques et le cordon du moteur de la rôtissoire à l'écart des parties chaudes du grill et de l'eau (piscines, fontaines, flaques).
- N'utilisez jamais une bouteille de propane bosselée ou rouillée. Gardez les ouvertures de ventilation du boîtier de la bonbonne dégagées et libres de débris.
- Utilisez seulement des gants isolants secs : des gants humides sur des surfaces chaudes peuvent provoquer des brûlures à cause de la vapeur. N'utilisez pas de serviette ou de chiffon épais à la place de gants isolants. Évitez de toucher les parties chaudes du grill ou de la grille de brûleur avec les gants isolants.

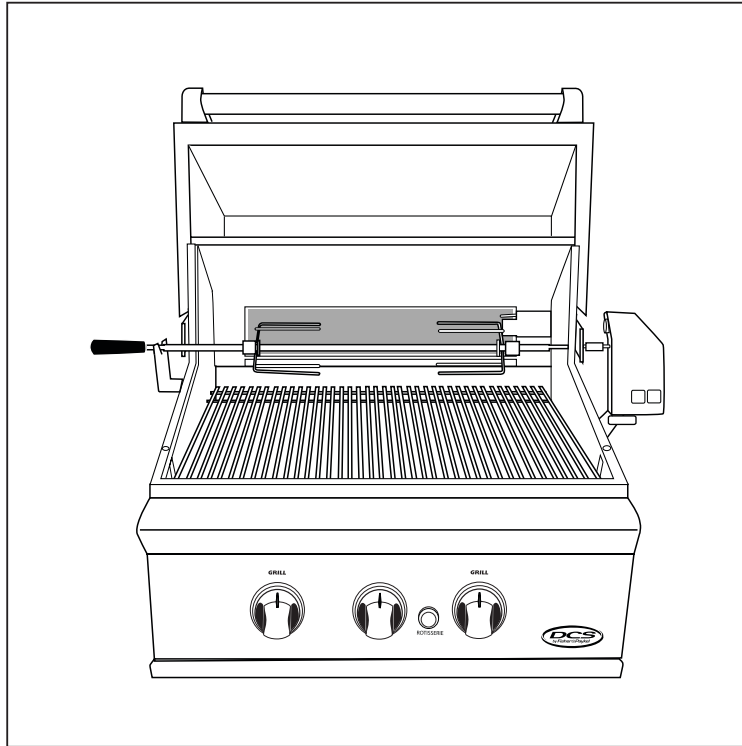
# MESURES DE SÉCURITÉ ET DE PRÉCAUTION

- Ayez un extincteur de classe ABC à portée de la main – ne tentez jamais d'éteindre un incendie de graisse avec de l'eau ou d'autres liquides.
- Pour éviter toute brûlure lors de la cuisson, utilisez des outils de barbecue à manches longs.
- Ne déplacez pas l'appareil durant son utilisation.
- **Cet appareil est conçu pour un usage en plein air uniquement !** Ne faites pas fonctionner dans des endroits clos. Ce qui pourrait entraîner une accumulation de monoxyde de carbone susceptible de provoquer des blessures voire la mort.
- Lors de l'utilisation d'un gril, veillez à ce que toutes les pièces de l'unité soient fermement en place et que le gril soit stable (de manière à ne pas pouvoir basculer).
- Pour éteindre des flammes, ajuster les commandes pour abaisser la température.
- Ne pas localiser, stocker ou utiliser le gril sur un plan incliné. Assurez-vous que vous verrouillez les roulettes avant d'utiliser le gril.
- **AVERTISSEMENT CONCERNANT LA PROPOSITION 65 DE LA CALIFORNIE :** L'incinération de gaz de cuisson génère des sous-produits faisant partie des substances considérées par l'État de Californie comme pouvant causer le cancer ou des malformations congénitales. Les lois de Californie exigent que les entreprises avertissent leurs clients qu'ils risquent d'être exposés à de telles substances. Pour minimiser l'exposition à ces substances, faites toujours fonctionner cet appareil conformément au manuel d'utilisation et d'entretien, en assurant une bonne ventilation lorsque vous cuisinez au gaz.
- Cet appareil de cuisson à gaz pour l'extérieur n'est pas conçu pour être installé sur des véhicules récréatifs ou remorques et/ou bateaux.

## **Remarque :**

*Ce produit doit être installé par un plombier ou ajusteur d'appareils à gaz agréé si l'installation a lieu au sein du Commonwealth du Massachusetts.*

# MODÈLES DE GRIL



**BGC30-BQR**



**BGC30-BQ**

# INSTALLATION

## EMPLACEMENT DU GRIL ET DES DÉGAGEMENTS

### EMPLACEMENT :

Pour déterminer un emplacement approprié, vous devez tenir compte de plusieurs éléments : exposition au vent, proximité de chemins de circulation, nécessité de garder les conduites d'alimentation en gaz ou électrique le plus court possible et à l'écart de toute source de chaleur. Placez l'appareil dans un lieu bien aéré uniquement. Ne construisez pas le gril sous une enceinte combustible non protégée. Ne placez jamais le gril à l'intérieur d'un bâtiment, garage, abri, passage couvert ou autre lieu clos de ce type. Durant un usage intensif, le gril produit beaucoup de chaleur et de fumée : veillez à ce qu'il y ait assez d'espace pour que celle-ci puisse se dissiper.

Si on place le gril dans un endroit venteux, essayez de le placer de manière à ce que le vent dominant souffle de l'air sur l'avant du gril telle que l'indique la Fig. 01. Ceci permettra le gril de ventiler de l'air chaud à travers l'arrière du gril. En outre, ceci empêchera de souffler toute la fumée vers quelqu'un qui cuisine sur le gril. Si le gril doit être placé dans un endroit venteux où le vent dominant se trouve à l'arrière du gril, il faut installer un coupe-vent. Le coupe-vent doit être fabriqué de manière à empêcher le vent d'entrer dans le conduit de sortie sur l'arrière de l'unité comme l'indique la Fig. 01. L'emplacement du coupe-vent relatif à l'arrière du gril se doit tenir aux dégagements pour les constructions combustibles et non combustibles comme définis dans ces instructions. Voyez les pages suivantes.

En qualité d'appareil à gaz de haute performance, le gril requiert de grandes quantités d'air pour supporter le processus de combustion. Votre gril est conçu pour aspirer l'air par la section du panneau de valves et pour envoyer les produits d'échappement à travers l'espace d'échappement sur l'arrière de la hotte. Utiliser le gril dans des conditions venteuses peut perturber le débit adéquat de l'air dans le gril, entraînant ainsi une moindre performance ou, dans certains cas graves, en provoquant une accumulation de chaleur dans la zone du panneau de valves. Ce qui peut provoquer des problèmes tels que la fonte des brûleurs ou des risques de brûlures lorsque les surfaces du panneau de valves deviennent trop chaudes au toucher.

Dans des conditions de grand vent, il vaut mieux ne pas utiliser le gril. Si vous vivez dans une région fréquemment exposées aux grands vents, ou à un vent directionnel constant, l'installation d'un coupe-vent est recommandée. Si vous avez un chariot de gril, il vaut mieux positionner l'unité de manière à ce que le vent dominant souffle dans le panneau de valves, supportant ainsi le débit d'air approprié. Les vents qui frappent l'arrière du gril directement auront le plus de chances de provoquer des problèmes, bien qu'un vent soufflant le long de l'espace d'échappement sur l'arrière peut également être problématique.

Veillez noter que tout dommage du gril résultant de son utilisation dans des conditions venteuses, tel que la fonte des boutons ou des fils d'allumeurs, ou encore la décoloration du panneau de valves provoquée par l'accumulation de chaleur, est exclu de la couverture de garantie.

### EMPLACEMENT DU GRIL

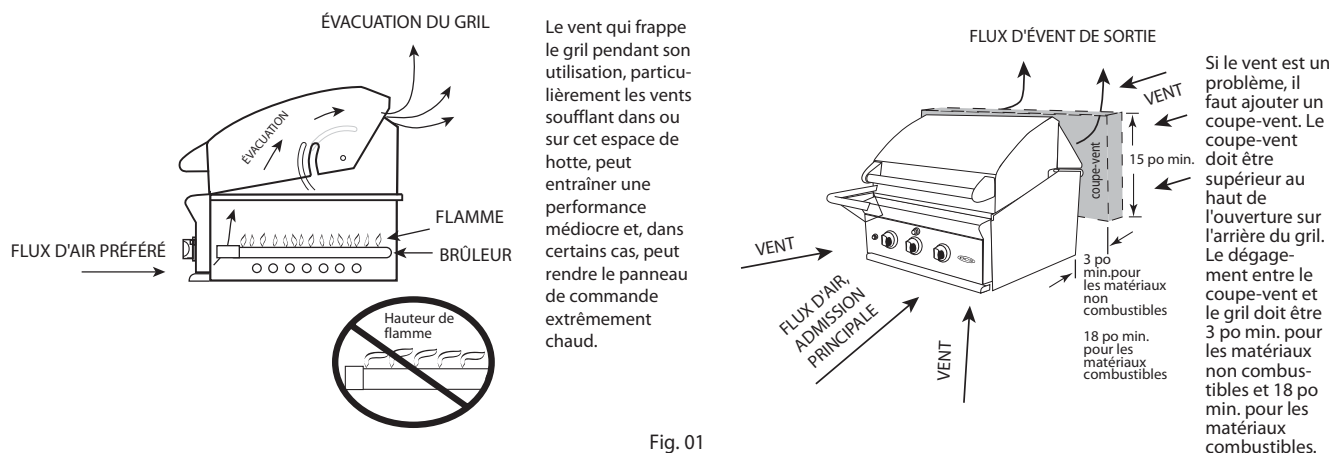


Fig. 01

### Important!

Les raccords de gaz, le régulateur et le robinet d'arrêt fournis par l'installateur doivent être facilement accessibles.

# INSTALLATION

## EMPLACEMENT DU GRIL ET DES DÉGAGEMENTS

### Espaces de dégagement pour une construction non combustible \*:

Prévoyez une distance de 7,6 cm (3 po) minimum entre l'arrière du gril et la construction non combustible afin de pouvoir ouvrir le couvercle complètement. Il est conseillé de prévoir au moins 15,3 cm (6 po) de dégagement latéral et de l'arrière par rapport à la construction non combustible, au-dessus de la surface de cuisson, comme espace de comptoir. Si vous prévoyez utiliser la rôtissoire, cet espace est essentiel pour le dégagement du moteur et de la broche. Le gril peut être adjacent à la construction non combustible, au-dessous de la surface de cuisson (Fig. 02).

### Espaces de dégagement pour une construction non combustible \* (tous les modèles)

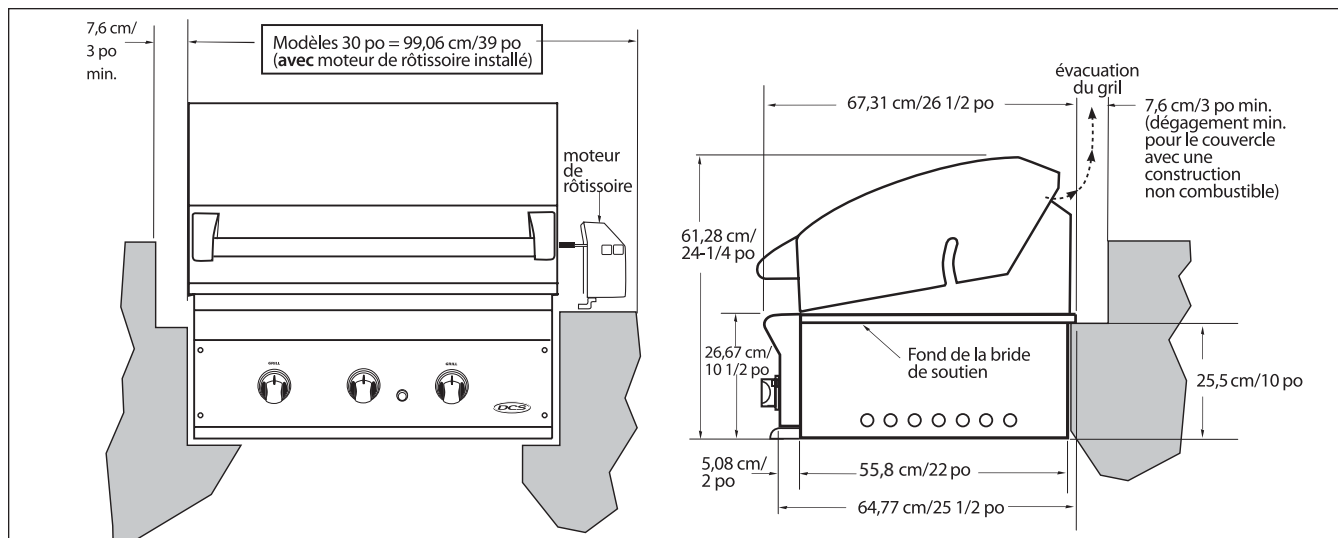


Fig. 02

(BGC30-BQR modèle illustré)

### **! AVERTISSEMENT!**

Le non-respect des dégagements requis pose un risque d'incendie pouvant causer des dommages matériels ou des blessures graves.

### **! AVERTISSEMENT!**

Le Gril BGC30 est conçu pour fonctionner à l'extérieur. Prévoyez des dégagements minimum recommandés pour toutes les surfaces (combustibles et non combustibles) pour une performance optimale. Le matériau non combustible dans la zone de dégagements minimum pourrait entraîner une décoloration ou une détérioration.

### **! AVERTISSEMENT!**

Si un matériau non combustible tel que le stuc recouvrant un matériau combustible comme le bois, la distance de dégagement minimum doit être tenue au bois. La présence d'un matériau non combustible à l'intérieur de la zone de dégagement n'élimine pas la zone de dégagement minimum au matériau combustible

\* DÉFINITION DES MATÉRIAUX NON COMBUSTIBLE – Matériau incapable d'être enflammé et brûlé tel que les matériaux composés entièrement, ou un mélange, d'acier, de fer, de brique, de tuile, de béton, d'ardoise et de plâtre.

### Espaces de dégagement pour une construction combustible \*\* :

Un minimum de 45,7 cm (18po) des côtés et de l'arrière du gril doit être maintenu sur la construction combustible verticale adjacente, au-dessus du niveau supérieur du comptoir. Vous devez tenir compte du fait qu'il existe un grand volume de chaleur et que la fumée s'échappera de l'arrière du gril. Ce qui risque de décolorer ou d'endommager les zones non protégées (Fig. 03). N'installez pas le gril sous une construction combustible non protégée dans utiliser de système de ventilation sécurité feu. Il faut maintenir un dégagement minimum de 45,7 cm (18po) sous le comptoir sur la construction combustible. Le dégagement peut être modifié en utilisant une enveloppe isolée.

# INSTALLATION

## EMPLACEMENT DU GRIL ET DES DÉGAGEMENTS

Espaces de dégagement pour une construction combustible \*\* (tous les modèles)

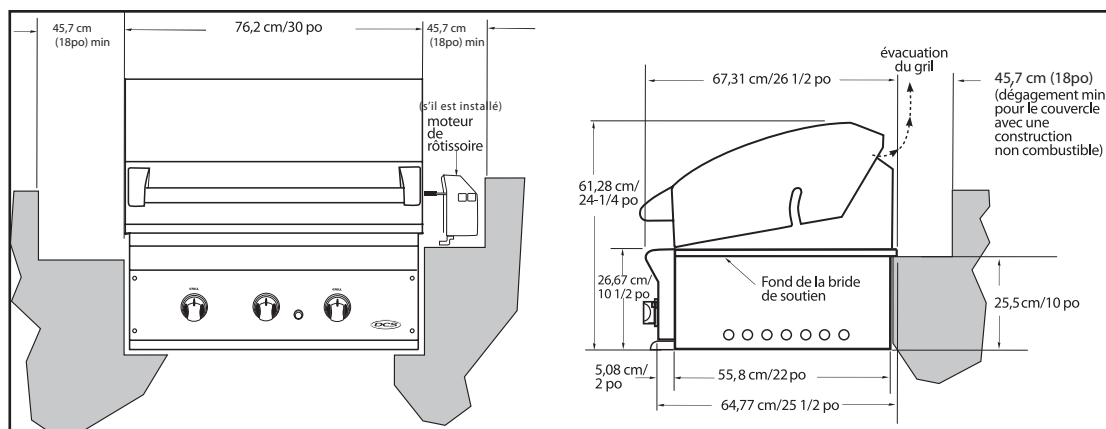


FIG. 03 (BGC30-BQR modèle illustré)

\*\* DÉFINITION DES MATÉRIAUX COMBUSTIBLES -Tout matériau de structure de construction ou structure décorative fabriquée en bois, papier comprimé, fibres de plante, vinyle/plastique ou autres matériaux capables de transférer la chaleur ou d'être enflammés et brûlés. Ledit matériau sera considéré combustible même si ignifugé ou revêtu de peinture ou de plâtre.

### Important!

Il est exigé de fournir un minimum d'ouverture de ventilation de [3] 64,5 cm<sup>2</sup> (10 po<sup>2</sup>) minimum des deux côtés (gauche et droit), ainsi que sur la partie arrière de l'enceinte (Fig. 04) afin de dissiper, en toute sécurité, les vapeurs de gaz non brûlé en cas de fuite de gaz.



### AVERTISSEMENT!

Notez les exigences en matière de ventilation particulières pour les enceintes intégrées. Voir le texte et la Fig. 04.

### GÉNÉRALITÉS

Le grill est conçu pour être placé facilement dans une enceinte de maçonnerie encastrée. Pour les applications non combustibles, on enfonce le grill dans l'ouverture illustrée à la figure 04 et on le suspend par ses brides latérales. Il n'est pas nécessaire de le soutenir par le bas. Si vous utilisez une enveloppe isolée dans une enceinte combustible, reportez-vous au bas de l'illustration de la figure 05c. L'enveloppe isolée doit être soutenue par le bas par une pièce d'appui de chaque côté et sur l'arrière, ou par une base solide.

Utilisez un « niveau à bulle » de menuisier pour vous assurer que l'unité est de niveau à la fois d'avant en arrière et d'un côté à l'autre. Si l'unité n'est pas de niveau, la combustion des brûleurs risque d'être erratique ou l'unité risque de ne pas fonctionner efficacement pour l'écoulement de graisse. Si le sol est inégal ou a une pente marquée, un nouveau nivellement doit être effectué après chaque déplacement d'une unité autoportante.

### ENVELOPPE ISOLÉE :



### AVERTISSEMENT!

L'installation de ce produit dans une enceinte combustible sans enveloppe isolée pourrait entraîner un incendie, des dommages matériels et des blessures corporelles.

Si le grill doit être placé dans une enceinte combustible, une enveloppe isolée homologuée est nécessaire. Des enveloppes isolées sont disponibles auprès de votre distributeur. Utilisez uniquement une enveloppe isolée DCS ayant été conçue et testée spécialement à cette fin. Analysez le schéma détaillé (Fig. 04) et tenez compte des dispositions à prendre pour le branchement de la conduite de gaz au coin droit arrière. Il est nécessaire de prévoir des trous de ventilation dans l'enceinte pour éviter le risque d'accumulation de gaz en cas de fuite. Les pièces d'appui ou la base de support doivent être de niveau et plates, et suffisamment solides pour supporter le grill et l'enveloppe isolée. Le comptoir doit aussi être de niveau.



# INSTALLATION

## DÉTAILS D'UNE CONSTRUCTION INTÉGRÉE

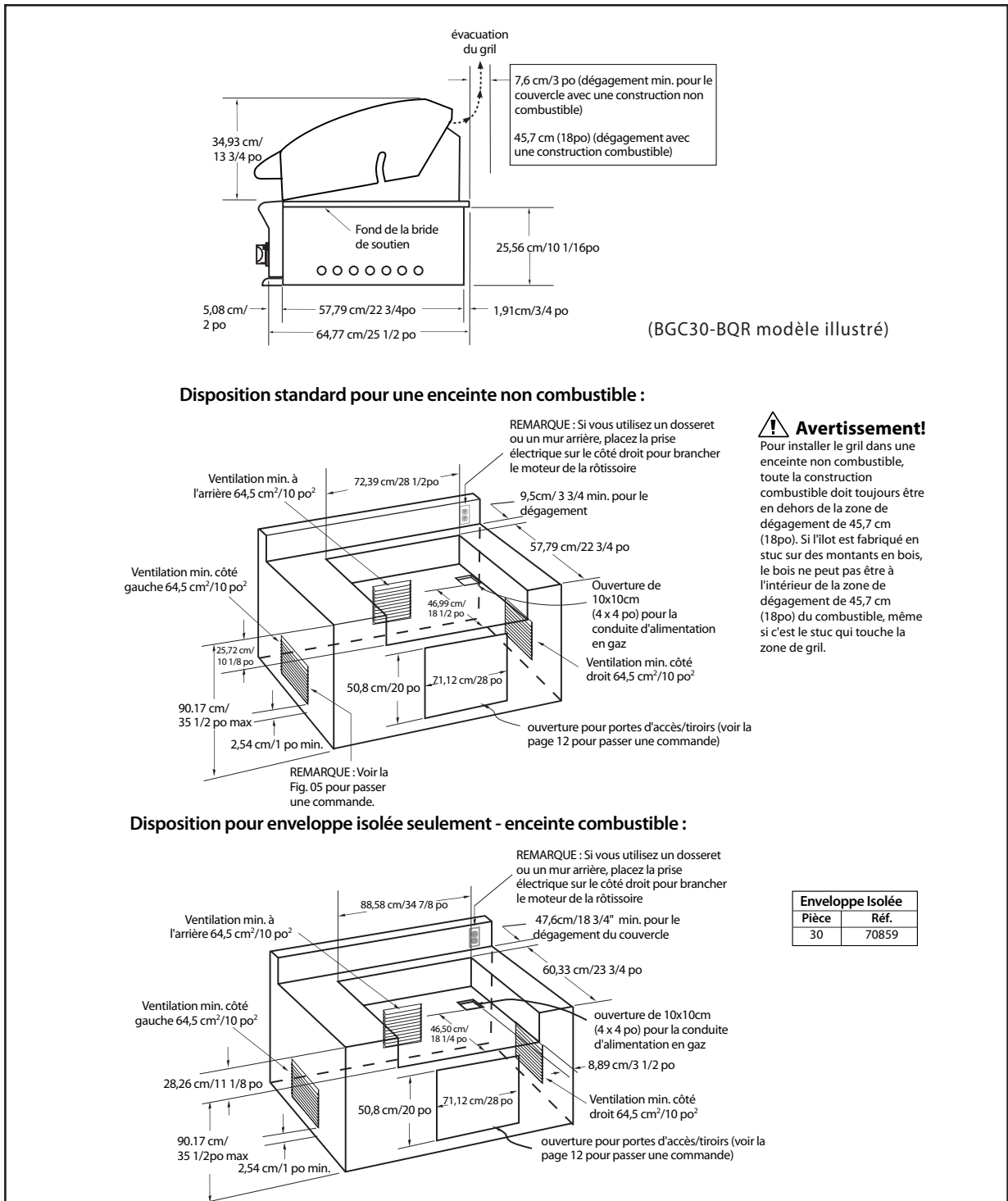


Fig. 04

**Remarque :**

Le raccordement au gaz doit être visible pour l'utilisateur (via une porte ouverture ou similaire).  
Connecteurs et des conduites de gaz doivent être fixés au sein de la l'enceinte pour éviter tout contact avec des surfaces chaudes et pièces en moment.  
Où le gaz passe à travers une ouverture dans l'enveloppe de la tuyauterie, les tuyaux doivent être protégés sur une distance d'au moins 2 po (50 mm) de chaque côté de la ouverture.  
Raccord gaz doit être conformes avec la norme pour connecteurs pour appareils à gaz extérieure & maisons fabrique, ANSI Z21.75 / CSA 6.27.  
La connexion doit être pas plus de 6' (1820mm) de longueur et être adapté pour une installation extérieure.

# INSTALLATION

## DÉTAILS D'UNE CONSTRUCTION INTÉGRÉE

### LES TIROIRS - DIMENSIONS DES DECOUPES

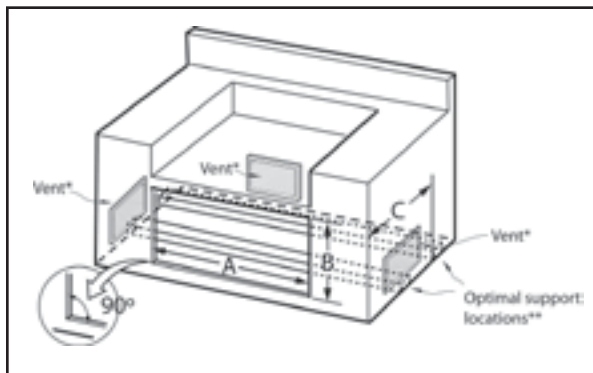


FIG. 05

REMARQUE: La découpe de chaque coin doit être d'un angle de 90° pour que les tiroirs d'accès rentrent correctement.

\* Installation en îlot pour utiliser un minimum de 3 événements, 10 pouces carrés par événement (type).

\*\* Pour un support et un fonctionnement de tiroirs appropriés, assurez-vous que les planches de support sont installées selon les instructions du Guide d'installation.

| MODÈLE   | A<br>(+0,-1/8) | B<br>(+1/8,-0) | C                                  |
|----------|----------------|----------------|------------------------------------|
| ADR2- 48 | 46"            | 20"            | 24-1/2"<br>(Min,<br>All<br>Models) |
| ADR2- 36 | 34"            | 20"            |                                    |
| ADR2- 30 | 28"            | 20"            |                                    |
| ADR2- 24 | 22"            | 20"            |                                    |

### PORTES D'ACCÈS - DIMENSIONS DES DECOUPES

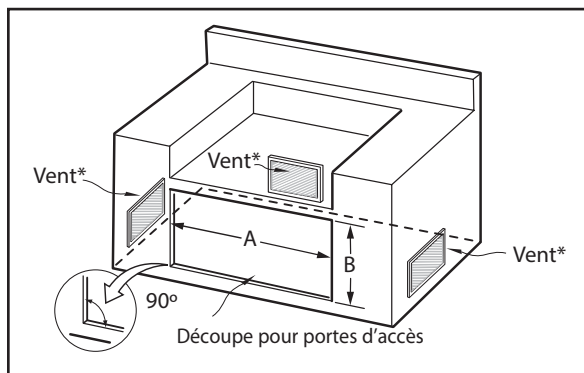


FIG. 06

REMARQUE: La découpe de chaque coin doit être d'un angle de 90° pour que les portes d'accès rentrent correctement.

\* Installation en îlot pour utiliser un minimum de 3 événements, 10 pouces carrés par événement (type).

| MODÈLE     | A<br>(+0,-1/8) | B<br>(+1/8,-0) |
|------------|----------------|----------------|
| ADN1-20x48 | 46"            | 20"            |
| ADN1-20x36 | 34"            | 20"            |
| ADN1-20x30 | 28"            | 20"            |
| ADN1-20x24 | 22"            | 20"            |

Pour information sur la façon dont commander les tiroirs ou les portes d'accès, contactez DCS au 1.888.936.7872

# INSTALLATION

## INSTRUCTIONS DE MONTAGE DE CHARIOT

### Important!

Lisez toutes les instructions avant de commencer. Évitez de sauter des étapes.

### MISE EN GARDE!

Certaines pièces ont des bords coupants; faites attention lorsque vous manipulez les différents composants pour éviter de vous blesser. Veuillez lire les consignes de sécurité de ce manuel avant de commencer l'assemblage. Portez des gants.

Il faut deux personnes ou plus pour assembler le chariot et la tête du gril.

### REMARQUE :

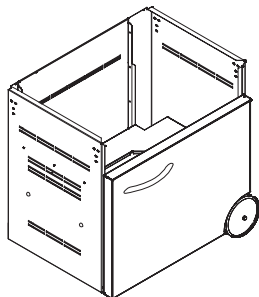
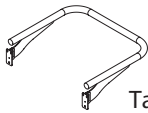
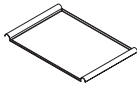

Évitez de déplacer le chariot par la tablette latérale. Poussez ou tirez le chariot en saisissant les coins de la tête du gril.



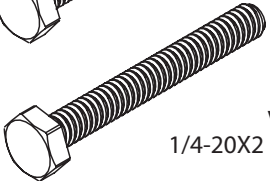


### POUR COMMENCER

- Retirez l'emballage.
- Retirez la tablette latérale et le plateau latéral de l'intérieur et jetez l'emballage.




### Contenu :

Le chariot est emballé dans une seule boîte. Celle-ci contient le chariot de gril 30 po et un kit de matériel universel destiné à l'installation du gril BGB48-BQR qui comprend du matériel supplémentaire pour votre commodité.

| Contenu   | Qté. |
|---|------|
| <br>Chariot de gril 30 po        | 1    |
| <br>Tablette latérale            | 1    |
| <br>Plateau de tablette latérale | 1    |
| <br>Instructions                 | 1    |

| Contenu   | Qté. |
|---|------|
| <br>Vis phillips usinées<br>10-24X1/2 po   | 5    |
| <br>Vis<br>1/4-20X1/2 po                   | 5    |
| <br>Vis<br>1/4-20X2 po                   | 1    |
| <br>Écrou à rondelle<br>dentée<br>1/4-20 | 5    |
| <br>Butée de<br>caoutchouc               | 5    |

### Outils requis :

|  |   |
|--|---|
|  | Lunettes de sécurité  |
|  | Gants de travail  |
|  | Tournevis mécanique ou perceuse à vitesse variable avec embout Phillips no. 2 |
|  | Clé ou douille 10 mm  |
|  | Clé Allen 3/32 po   |

# INSTALLATION

## INSTRUCTIONS DE MONTAGE DE CHARIOT

### ÉTAPE 1

Fixez la tablette latérale sur le côté droit (le côté gauche est l'emplacement du brûleur latéral en option)

1. Fixez la tablette au côté droit du chariot à l'aide d'écrous et de boulons 1/4-20 [laissez de côté (1) boulon sur l'avant tel qu'indiqué ci-dessous].
2. Ne serrez pas les boulons (serrez à la main seulement) avant d'avoir achevé l'étape 4.
3. Installez les butées sur les côtés du chariot comme indiqué ci-dessous.

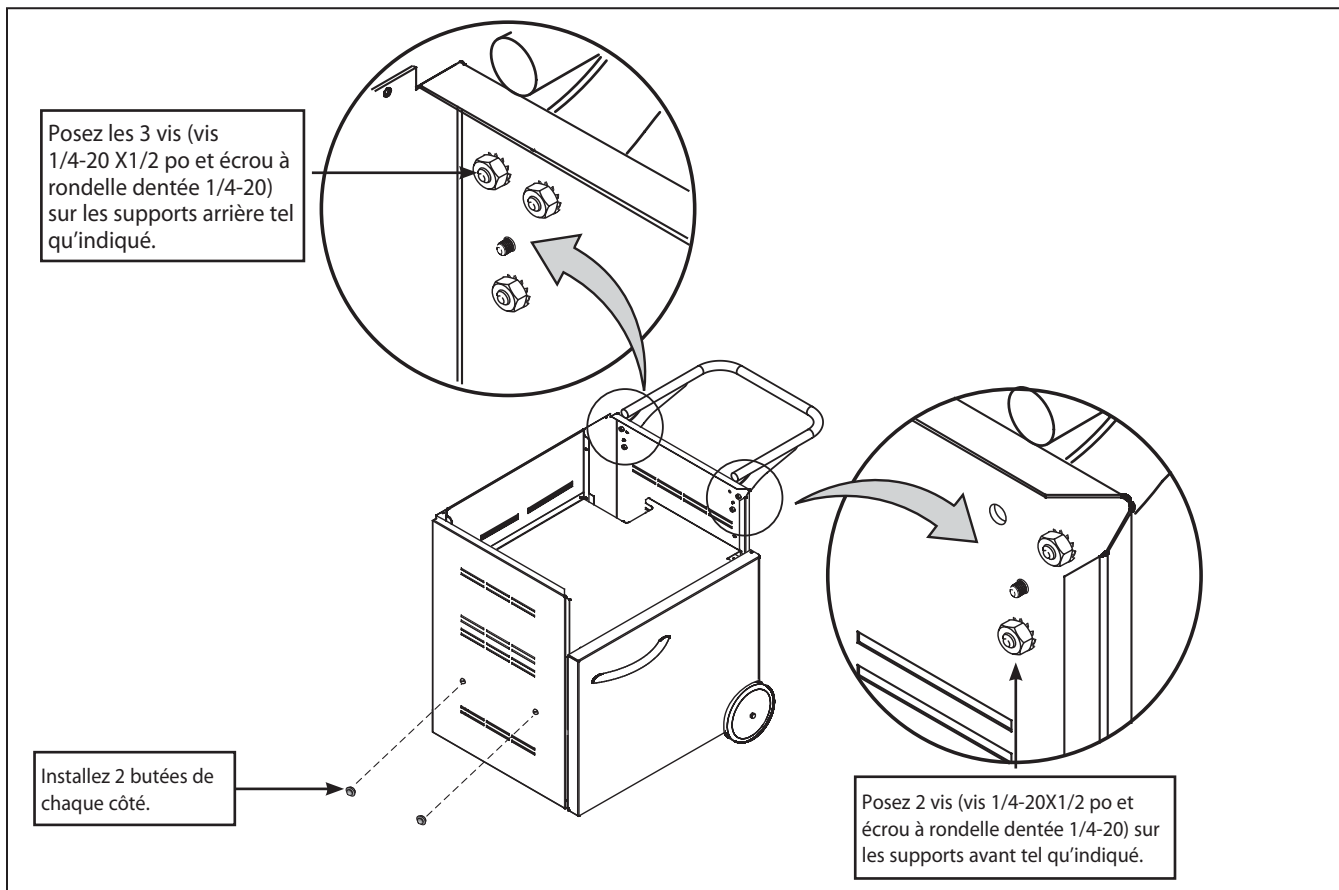


FIG. 07

### ÉTAPE 2

Placement du gril sur le chariot (il faut 2 personnes pour cette tâche)

1. Retirez le récipient à graisse/ramasse-gouttes pour faciliter le travail. Placez la tête du gril sur le chariot.
2. Glissez-la vers l'arrière.
3. Placez-la doucement sur la bride arrière.
4. Fixez à l'aide de vis.



FIG. 08 Une fois le récipient à graisse/ramasse-gouttes enlevé, placez la tête du gril sur le chariot avec précaution (il faut au moins 2 personnes pour cette tâche).



FIG. 09 Une fois le gril sur le chariot, glissez-le vers l'arrière du chariot tel qu'indiqué.

modèle illustré peut varier

# INSTALLATION

## INSTRUCTIONS DE MONTAGE DE CHARIOT

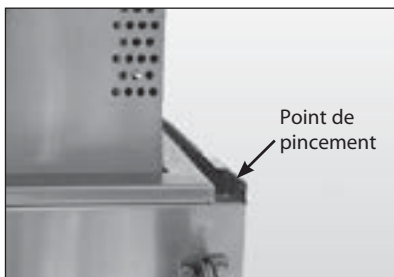


FIG. 10 Placez le gril par-dessus la bride arrière du chariot (faites attention aux points de pincement).



FIG. 11 La tête du gril doit reposer par-dessus la bride arrière du chariot tel qu'indiqué ci-dessus.



FIG.12 Fixez le gril à la partie arrière du chariot à l'aide de (2) vis phillips fournies (10-24 x 1/2 po).

### ÉTAPE 3

#### Pose de la vis de la partie avant

1. Posez les (3) vis (10-24X1/2 po) restantes à l'avant de la tête du chariot.
2. Glissez le récipient à graisse/ramasse-gouttes. Déplacez les barres de la tablette latérale vers le haut et mettez les plateaux en place.

### ÉTAPE 4

#### Pose du boulon

Une fois la tête mise en place, posez le boulon (1/4-20 x 2 po) omis à l'étape 1, et serrez tous les boulons du support. Serrez jusqu'à ce que tous les côtés affleurent la garniture seulement.

#### **Remarque :**

**Ce boulon fixe le support latéral sur la tête du gril afin de renforcer la tablette latérale. Appliquez du Loctite 242 (bleu) aux 3 ou 4 premiers pas avant de poser ce boulon.**



FIG.13 Fixez le gril à la partie avant du chariot à l'aide de vis phillips (fournies).



FIG. 14 Côté avant droit

# INSTALLATION

## INSTRUCTIONS DE MONTAGE DE CHARIOT

### ÉTAPE 5

#### Réglage du plateau latéral

1. Saisissez le plateau et placez-le sur la poignée en position verticale. Assurez-vous que le plateau est bien assis sur la poignée.
2. Serrez ensuite le reste des boulons laissés desserrés à l'étape 1.

#### Réglage de la tablette latérale

1. Avec l'usage, les étagères risquent de n'être plus de niveau et doivent donc être réajustées.
2. Une vis de réglage de 5/8 po se trouve dans le support, là où la poignée coulisse. Saisissez la poignée tel qu'indiqué, soulevez la tablette et retenez-la tout en visant de l'autre main à l'aide d'une clé Allen 3/32 au niveau voulu.

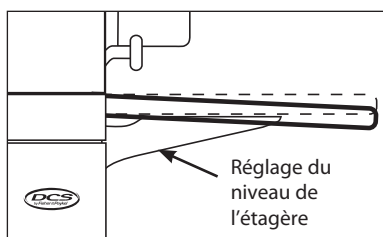


FIG. 15



FIG. 16

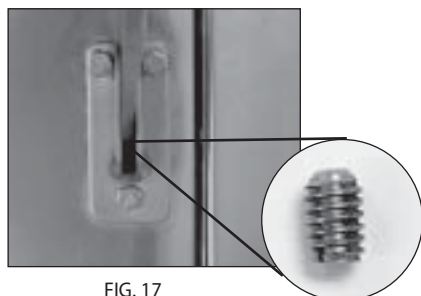


FIG. 17



FIG. 18



FIG. 19

3. Glissez le récipient à graisse/ramasse-gouttes.
4. Déplacez les barres de la tablette latérale vers le haut et mettez les plateaux en place.

### ÉTAPE 6

#### Branchement du gaz propane

Fixez le tuyau et le connecteur de la ligne de gaz propane (tel qu'indiqué à la section « Branchement du gaz propane, puis branchez à la bouteille de propane comme indiqué ci-dessous.



FIG. 20



FIG. 21

# INSTALLATION

## BRANCHEMENT DU GAZ

Remarque : Tous les connecteurs et les conduites de gaz doivent conformes à la norme pour les connecteurs pour appareils à gaz extérieure et maisons préfabriquées, ANSI Z21.75/CSA 6.27.

### EXIGENCES CONCERNANT LE GAZ

Vérifiez le type de gaz à utiliser (gaz naturel ou propane) et assurez-vous que les indications figurant sur la plaque signalétique de l'appareil sont conformes à celles de l'alimentation. L'étiquette de la plaque signalétique est située sur le côté inférieur de l'égouttoir. Ne connectez jamais un tuyau à gaz non régulé à l'appareil. Vous devez utiliser le détendeur de gaz fourni avec l'unité, même si l'alimentation est contrôlée.

Un robinet d'arrêt fourni par l'installateur doit être installé dans un endroit facilement accessible. Toutes les pièces fournies par l'installateur doivent être conformes aux codes en vigueur ou, en l'absence de tels codes, à la norme ANSI/NFPA 70 du National Electrical Code (Code national de l'électricité), ou norme ACNOR C22.1 du Code canadien de l'électricité, et norme ANSI Z223.1 du National Fuel Gas Code (Code national de gaz combustible), ou norme CSA B149.1 du Code d'installation du gaz naturel ou norme CSA B149.2 du Code d'installation du propane.

Tous les produits d'étanchéité utilisés doivent être approuvés et résister aux effets du propane. N'utilisez jamais ces produits sur des raccords évasés. Toutes les connexions de gaz doivent être effectuées par un technicien qualifié conformément aux codes et règlements en vigueur. En l'absence de codes locaux, l'installation doit être conforme à la norme ANSI Z223.1 du National Fuel Gas Code. Les kits de conversion au gaz sont disponibles. Contactez votre le Centre de service à la clientèle DCS. Au moment de commander un kit de conversion au gaz, ayez sous la main le numéro de modèle et le type de gaz (naturel ou propane) de votre gril.

### CONSUMMATION TOTALE DE GAZ DU GRIL, LES BRÛLEURS ÉTANT TOUS SUR HI :

BGC30-BQR - 64 000 Btu/h or 67.5 MJ/h BGC30-BQ 50,000Btu/h or MJ/h

L'appareil et son robinet d'arrêt doivent être déconnectés du système d'alimentation en gaz durant les tests de pression lorsque celle-ci est supérieure à 3,5 kPa (1/2 PSIG). L'appareil doit être isolé du système d'alimentation en gaz en fermant son robinet d'arrêt durant les tests de pression si la pression est inférieure ou égale à 3,5 kPa (1/2 PSIG). L'installation de cet appareil doit être conforme aux codes en vigueur ou, en l'absence de tels codes, à la norme ANSI Z223.1 /NFPA 54 du National Fuel Gas Code. L'installation au Canada doit être conforme aux normes Standard CSA B149.1 ou B149.2 (code d'installation pour les appareils et équipements à gaz) et aux codes en vigueur.

### BRANCHEMENT DU GAZ NATUREL : (CE TYPE DE CONNEXION DOIT ÊTRE EFFECTUÉ PAR UN TECHNICIEN CERTIFIÉ OU AUTORISÉ UNIQUEMENT.)

**Connexion :** Raccord femelle 1/2 po NPT avec adaptateur évasé 3/8 po. **Pression utile :** 4,0 po C.E. **Pression d'alimentation :** 5 à 14 po C.E. Si la pression dépasse 14 po C.E., un régulateur est requis pour diminuer la pression. Renseignez-vous auprès de votre service de distribution de gaz local ou consultez les codes en vigueur au sujet de l'installation de conduites d'alimentation en gaz. Vérifiez en particulier le type et les dimensions de la conduite et de sa profondeur d'enfouissement. Le gril risque de ne pas fonctionner correctement si la conduite de gaz est trop courte. Tous les produits d'étanchéité utilisés doivent être approuvés et résister aux effets du propane.

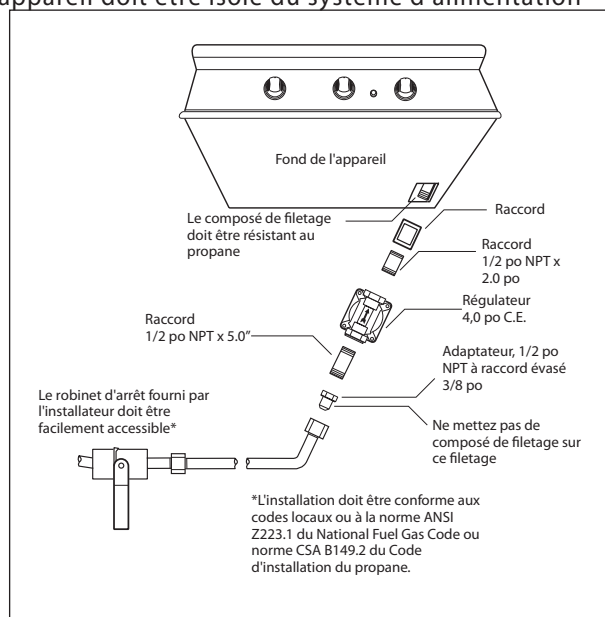


FIG. 22 Gaz naturel

### POUR CONNECTER LES RACCORDS FOURNIS AVEC LE GRIL :

Effectuez l'assemblage tel qu'indiqué (Fig. 04). Utilisez le composé de filetage sur les filetages mâles uniquement. N'en mettez pas sur l'extrémité mâle du raccord 3/8 po NPT avec adaptateur évasé 3/8 po. Utilisez une seconde clé à tube pour maintenir le tuyau d'admission du gril afin d'éviter de déplacer les conduites de gaz internes du gril. Assurez-vous que la flèche du régulateur pointe en direction du débit de gaz, vers l'appareil, dans le sens opposé à l'alimentation de gaz. N'oubliez pas de placer le robinet d'arrêt fourni par l'installateur dans un endroit facilement accessible.

### BRANCHEMENT DU PROPANE (RÉGULATEUR DE TYPE 1 OU QCC1) :

Les grils dont les orifices sont prévus pour du propane sont équipés d'un tuyau et d'un régulateur de haute capacité pouvant être connectés à une bouteille standard de propane de 9 kg (20 lb) (Type 1). La bouteille de propane n'est pas incluse.

# INSTALLATION

## BRANCHEMENT DU GAZ

**Connexion :** Un tuyau de propane avec Type 1 déconnexion rapide et des raccords sont inclus. **Pression utile :** 11,0 po C.E.

### MISE EN GARDE!

Avant de connecter la bouteille de propane au régulateur, assurez-vous que tous les brûleurs et brûleurs latéraux, fumoirs et valves de rôtissoire sont en position OFF, puis ouvrez le couvercle du gril.

Pour connecter le régulateur et le tuyau de propane à la bouteille et au robinet, assurez-vous d'abord que le robinet principal de la bouteille est complètement fermé. Bien que le débit de gaz soit arrêté lorsque le système de Type 1 est déconnecté par mesure de sécurité, fermez toujours le robinet principal de la bouteille (Fig. 23) près chaque utilisation et durant le transport de la bouteille ou de l'appareil. Insérez l'admission du régulateur dans le robinet de la bouteille et tournez le coupleur noir dans le sens des aiguilles d'une montre jusqu'à ce qu'il soit serré. **Évitez de trop serrer.** Ouvrez le robinet principal de la bouteille et mettez les valves de réglage du brûleur en position « HI » pendant environ 20 secondes, fermez les valves, et patientez 5 minutes pour purger l'air du système avant d'allumer les brûleurs.

Avant de déconnecter le coupleur, assurez-vous d'abord que le robinet principal de la bouteille est fermé. Saisissez le coupleur et tournez-le dans le sens contraire des aiguilles d'une montre. L'admission se dégage alors. Retirez-la de l'ouverture du robinet de la bouteille si ce n'est déjà fait. Votre station locale de ravitaillement en propane doit être équipée de façon à pouvoir remplir correctement votre bouteille.

### EXIGENCES CONCERNANT LA BOUTEILLE DE PROPANE :

Une bouteille bosselée ou rouillée peut poser un danger. Faites-la examiner par votre fournisseur de gaz. La bouteille utilisée doit avoir une bague pour protéger la soupape de bouteille. N'utilisez jamais une bouteille dont la valve est endommagée. Regardez toujours s'il y a des fuites après chaque changement de bouteille. La bouteille de propane doit être fabriquée et marquée conformément aux spécifications relatives aux bouteilles de propane publiées par le « U.S. Department of Transportation » (DOT) et porter la mention limitant leur utilisation aux systèmes de Type 1. Ne changez pas le régulateur et le tuyau fournis avec l'appareil et n'essayez pas d'utiliser un régulateur et un tuyau de Type 1 avec une valve de bouteille 510 POL standard. La bouteille doit posséder un robinet d'arrêt terminé par une sortie de valve spécifiée, selon le cas, pour une connexion de Type 1. **Si l'appareil est rangé à l'intérieur, débranchez la bouteille et retirez-la de l'appareil. Les bouteilles doivent être rangées dans un lieu extérieur bien aéré, hors de portée des enfants.**

#### Remarque :

Lorsqu'une unité au propane est directement connectée à un système interne au propane, vous devez respecter les consignes de raccordement de gaz naturel. L'installateur doit fournir un détendeur de gaz approprié pour réduire le débit de gaz à 28" (11") C.E.

#### Remarque :

Le Gril est fourni avec un ensemble détendeur/tuyau de propane installé en usine. L'ensemble, avec le système de gril complet, a été soumis à des essais d'étanchéité. Ne pas retirer l'ensemble détendeur/tuyau du gril durant son installation.

### AVERTISSEMENT :

1. **N** retirez pas le gril de la palette avant d'être prêt à l'installer.
2. Ne placez pas le gril directement sur le sol ou sur toute autre surface plate sans support et ce, pour éviter d'endommager l'ensemble détendeur/tuyau avec le poids du gril.
3. Inspectez le tuyau, le détendeur et les connecteurs pour tout dommage éventuel. Recherchez la présence éventuelle de fissures, d'abrasions, de fragilité, de trous, de bosses et d'entailles.
4. Ne tentez pas de retirer, de réparer ou de remplacer l'ensemble de détendeur/tuyau vous-même. Ceci doit être effectué uniquement par un technicien qualifié agréé.

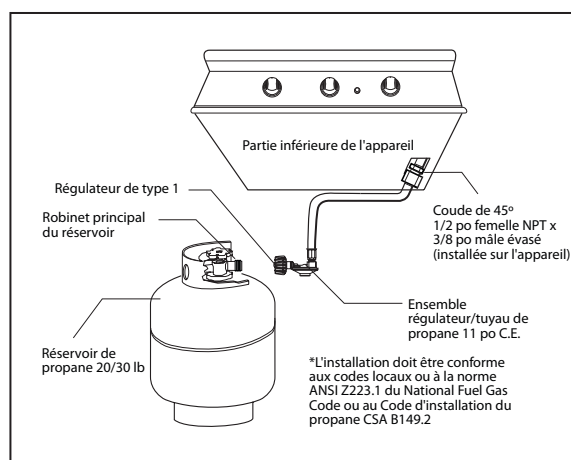


FIG. 23 Propane



# INSTALLATION

## BRANCHEMENT DU GAZ

### INSTRUCTIONS RELATIVES À LA BOUTEILLE DE PROPANE POUR INSTALLATIONS ENCASTRÉES

Pour installer le gril dans une application encastrée, il doit être installé conformément aux directives d'installation encastrée figurant dans le guide d'utilisation et d'entretien accompagnant le gril.

Si le gril va être utilisé avec du gaz propane utilisant une bouteille de 20 lb Type 1, il faut alors installer le dispositif de retenue de la bouteille de propane, avant d'utiliser le gril pour la première fois. Si vous n'avez pas ce dispositif, veuillez contacter le Service à la clientèle DCS en composant le (888) 936-7872 pour en obtenir un.

Les étapes suivantes illustrent la manière de trouver et d'installer correctement le dispositif de retenue de bouteille de propane dans l'enceinte encastrée.

#### REMARQUE :

*Le gril est fourni avec un ensemble détendeur/tuyau de propane installé en usine. L'ensemble, avec le système de gril complet, a été soumis à des essais d'étanchéité.*

*Ne pas retirer l'ensemble détendeur/tuyau du gril durant son installation.*

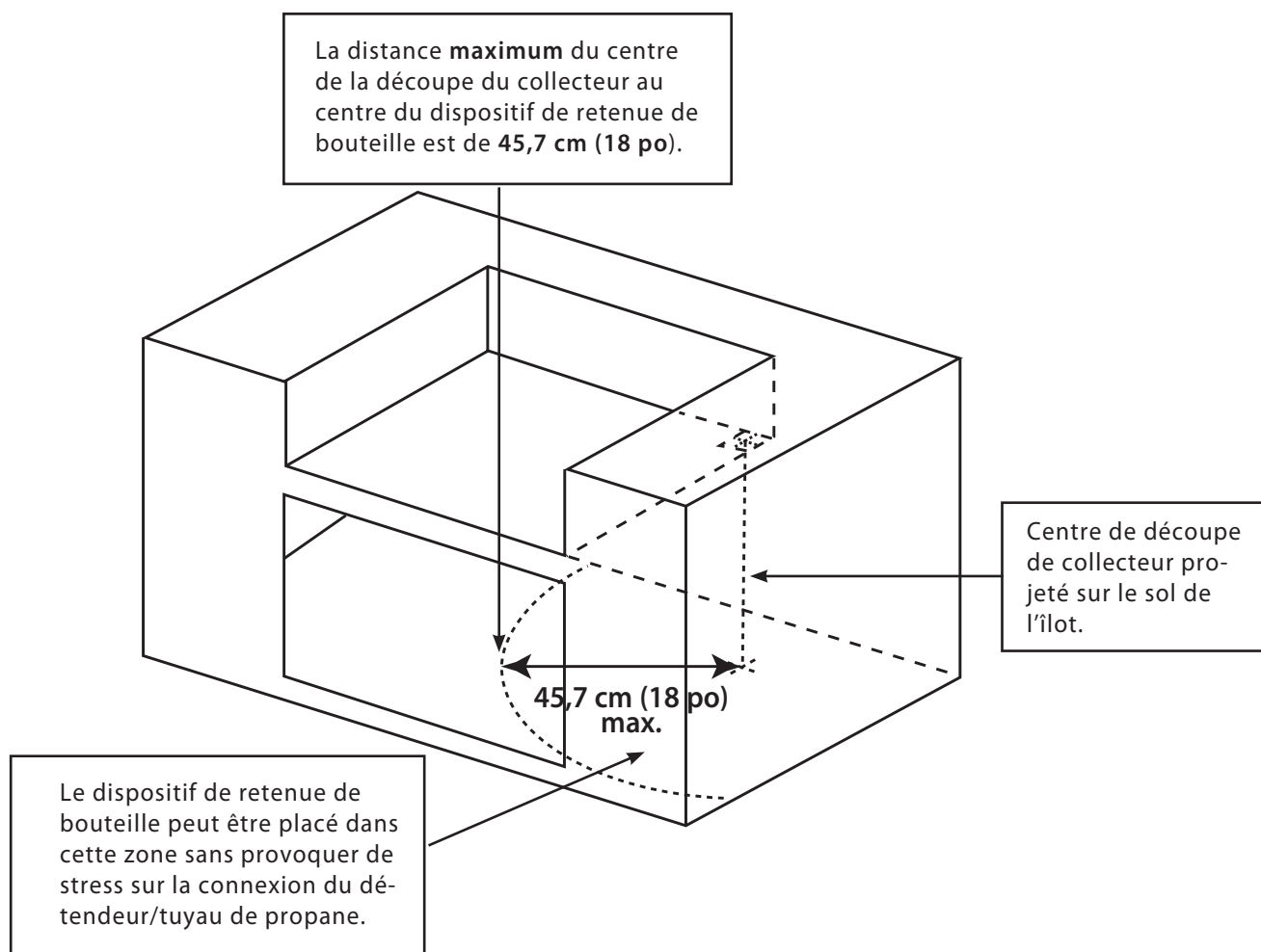


FIG. 24

# INSTALLATION

## BRANCHEMENT DU GAZ

### STEP 1

Placez le dispositif de retenue de bouteille dans l'îlot (Fig. 25).

### STEP 2

Situez le dispositif de retenue de bouteille dans l'îlot à l'intérieur de la zone recommandée (Fig. 24 et 26).

### STEP 3

Une fois situé, fixer sur le bas de l'îlot à l'aide des huit emplacements de trous prévus sur le dispositif de retenue. Utilisez des vis à bois pour les planchers en bois ou des vis d'ancrage ou des boulons pour les sols en béton ou en maçonnerie (Fig. 27).

### STEP 4

Une fois fixé, placez la bouteille de propane dans le dispositif de retenue en vous assurant que la bouteille est complètement vers le bas, en attachant fermement la bouteille dans le dispositif de retenue (Fig. 28).

### STEP 5

Attachez l'ensemble détendeur/tuyau et faites fonctionner le gril normalement comme il l'est indiqué dans le manuel d'utilisation et d'entretien (Fig. 29).

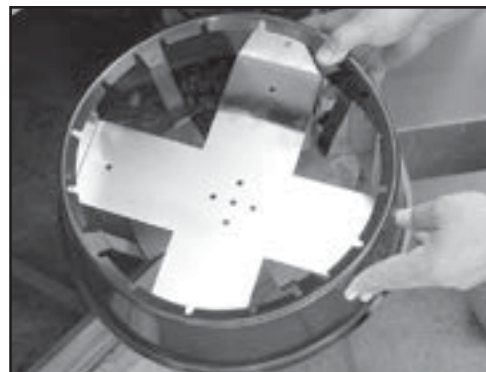


FIG. 25



FIG. 26



FIG. 27



FIG. 28

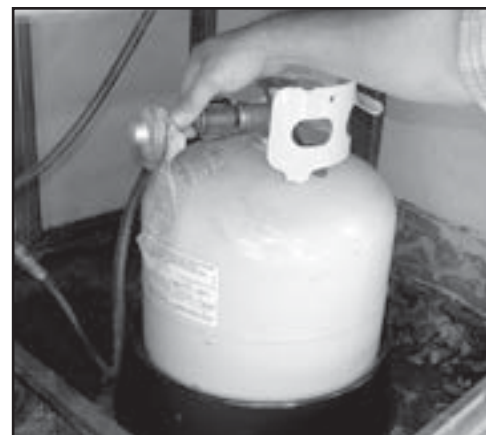


FIG. 29

# INSTALLATION

## TEST DE DÉTECTION DES FUITES

L'ESSAI D'ÉTANCHÉITÉ DOIT ÊTRE EFFECTUÉE PAR UN TECHNICIEN QUALIFIÉ.

### GÉNÉRALITÉS :

Bien que toutes les connexions de gaz du gril soient testées en usine avant l'expédition, une vérification complète doit être effectuée sur le site d'installation, pour s'assurer qu'il n'y a pas de fuites, au cas où l'appareil aurait été malmené durant le transport ou qu'il aurait subi une pression excessive. Vérifiez périodiquement l'absence de fuites dans le système ou vérifiez immédiatement si vous sentez une odeur de gaz.

### Avant la vérification :

**Ne fumez pas pendant le test de détection des fuites. Éteignez toute flamme vive. N'effectuez jamais d'épreuve d'étanchéité près d'une flamme vive.** Faites un mélange, à parts égales, de détergent liquide et d'eau. Vous aurez besoin d'une bouteille avec vaporisateur, d'une brosse ou d'un chiffon pour appliquer la solution aux raccords. Pour les appareils à propane, effectuez la vérification avec une bouteille pleine. Le panneau des valves doit être retiré pour tester les valves et les raccords. Retirez les boutons et le bouton de valve de sécurité, puis les 2 vis qui retiennent le panneau à l'appareil (vous faudra un tournevis cruciforme pour ce travail). Tirez le panneau vers l'extérieur et débranchez les fils du module d'allumage et de l'arrière du bouton d'allumage. Sur l'arrière de l'unité, retirez les vis qui maintiennent le panneau de service en place. Retirez le panneau de service.

### Pour tester :

Assurez-vous que les valves de réglage sont en position « OFF ». Ouvrez l'alimentation en gaz « ON ». Vérifiez toutes les connexions, de la conduite d'alimentation, ou bouteille de propane, jusqu'au tube du collecteur. Évitez tout contact avec la solution de savon sur les commutateurs vannes. Appliquez la solution savonneuse autour des connexions, des valves, des tuyaux et de l'extrémité du collecteur. Des bulles de savon apparaîtront en cas de fuite. Si c'est le cas, fermez immédiatement le gaz, serrez tous les raccords qui fuient, ouvrez le gaz et vérifiez de nouveau. Inspectez toutes les connexions à gaz à la base des valves de réglage, là où elles se vissent dans le tube du collecteur.

BGC30-BQR modèles: Pour vérifier le brûleur de rôtissoire et la valve de sécurité, allumez le brûleur. Effectuez ensuite une épreuve d'étanchéité sur les connexions situées derrière le panneau de service. Si vous ne pouvez pas arrêter une fuite, fermez le gaz et appelez votre service de distribution de gaz ou le distributeur qui vous a vendu l'appareil. Utilisez uniquement les pièces recommandées par le fabricant. Toute substitution peut annuler la garantie.

## AVERTISSEMENT!

N'utilisez pas le gril tant que toutes les connexions n'ont pas été inspectées.

Vérifiez l'absence de fuites au niveau des raccords avant chaque utilisation. Conservez une bouteille d'eau savonneuse munie d'un vaporisateur près du robinet d'arrêt de l'alimentation en gaz. Vaporisez tous les raccords. La formation de bulles indique la présence de fuites (Fig. 30 et 31).

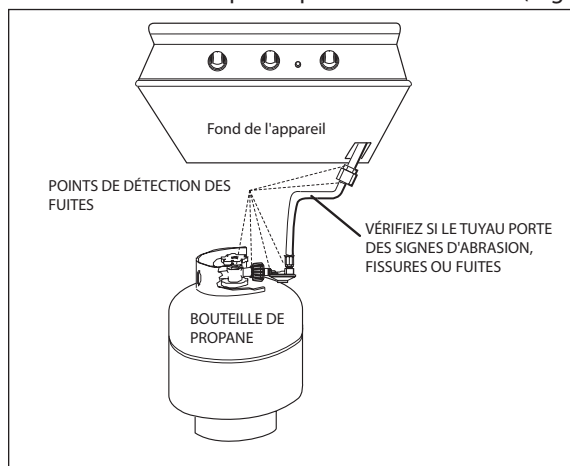


FIG. 30 Gaz propane

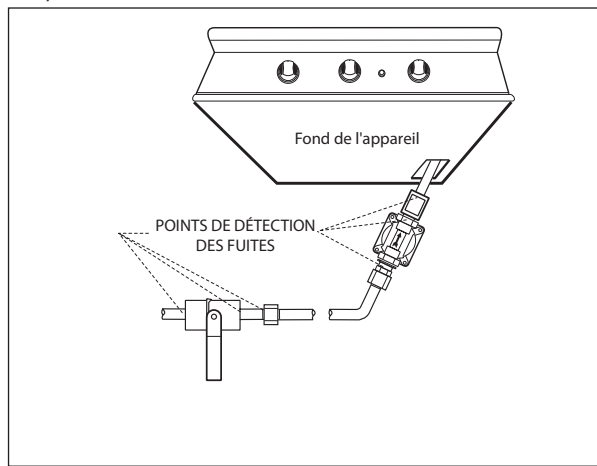


FIG. 31 Gaz naturel

# INSTALLATION

## RÉGLAGE DU BRÛLEUR DU GRIL

### RÉGLAGE D'AIR DU BRÛLEUR DU GRIL :

Chaque brûleur du grill est testé et réglé en usine avant d'être expédié; toutefois, des variations au niveau de l'alimentation en gaz locale ou de la conversion d'un gaz à un autre peut nécessiter un nouveau réglage. Les flammes des brûleurs (excepté le brûleur de la rôtissoire) doivent être vérifiées visuellement et comparées à celles du schéma de la figure 32. Les flammes doivent être bleues et stables (Les unités au propane peuvent avoir des pointes jaunes), sans pointe jaune ni bruit excessif, et ne doivent pas tirer vers le haut. Si l'une de ces situations se produit, vérifiez si les obturateurs d'air ou les ports des brûleurs sont bloqués par de la saleté, des débris, des toiles d'araignée, etc. Ajustez les obturateurs. La quantité d'air qui pénètre dans le brûleur est contrôlée par une cuvette en métal, situé à l'entrée du brûleur, et appelée obturateur d'air. Elle est maintenue en place par une vis qui doit être desserrée avant d'allumer le brûleur pour le régler.

### HAUTEUR DES FLAMMES DU BRÛLEUR DU GRIL :

Avant de commencer, assurez-vous que le grill est éteint et froid. Pour accéder aux obturateurs d'air du brûleur du grill, retirez d'abord les grilles et les radiants du foyer, puis retirez le brûleur du grill en suivant les instructions illustrées en page 33, Fig. 55. À l'aide d'un tournevis, desserrez légèrement la vis de blocage sur la face de l'obturateur d'air de manière à pouvoir ajuster l'obturateur d'air.

#### Réglage :

1. Soyez prudent car le brûleur peut être très chaud.
2. Si la flamme est jaune, ce qui indique une insuffisance d'air, tournez l'obturateur d'air vers la gauche pour laisser passer davantage d'air pour le brûleur.
3. Si la flamme fait du bruit et tend à s'élever du brûleur, ce qui indique un excédent d'air, tournez l'obturateur d'air vers la droite.

Remontez le brûleur en U en vous assurant que le brûleur est de niveau. Allumez le brûleur et inspectez la flamme. Si tout est correct, retirez le brûleur (ATTENTION – le brûleur risque d'être très chaud, laissez-lui le temps de refroidir) et serrez la vis de l'obturateur d'air. Dans le cas contraire, répétez la procédure ci-dessus pour rajuster l'obturateur d'air.

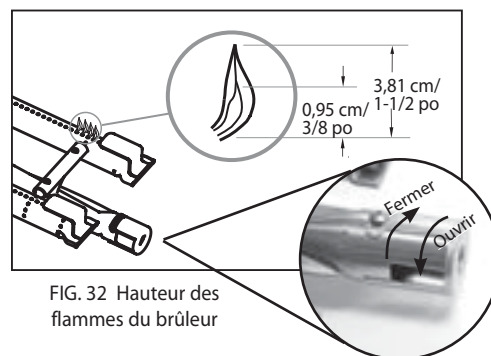


FIG. 32 Hauteur des flammes du brûleur

### RÉGLAGES POUR NIVEAU BAS :

Les valves du grill comportent un niveau bas réglable. Selon les fluctuations de la pression de gaz, du niveau de chaleur ou de la conversion de gaz, vous pourriez juger nécessaire d'augmenter ou de réduire le débit de gaz au niveau bas. Nous ne recommandons pas d'ajuster le brûleur de rôtissoire à infrarouge.

#### Réglage :

1. Allumez le brûleur.
2. Tournez le bouton de réglage vers le niveau le plus bas (complètement à gauche).
3. Retirez le bouton.
4. Tout en tenant l'axe de la valve avec des pinces, insérez un tournevis mince à tête plate dans l'axe et, tout en surveillant le brûleur, ajustez jusqu'à obtenir une petite flamme stable (Fig. 33).

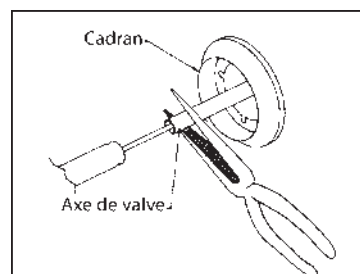


FIG. 33 Réglages pour niveau bas

## AVERTISSEMENT : IMPORTANT!

Avant d'allumer, inspectez le tube ou tuyau d'alimentation en gaz avant d'ouvrir le gaz. S'il porte des signes de coupures, usure ou abrasion, remplacez-le avant l'utilisation.

# INSTALLATION

## INSTALLATION DE L'ENSEMBLE DU RADIANT

### INSTALLATION DE L'ENSEMBLE DU RADIANT :

1. Déballez les tiges en céramique et retirez le radiant (Fig. 34) de l'appareil.
2. Déverrouillez le couvercle du radiant en le poussant de deux doigts (Fig. 35).
3. Placez 17 tiges en céramique sur le radiant (Fig. 36).
4. Verrouillez le couvercle du radiant (Fig. 37).
5. Placez le radiant assemblé dans l'appareil (Fig. 38).



FIG. 35



FIG. 37



FIG. 34



FIG. 36



FIG. 38

### **Remarque :**

#### ***Si une tige en céramique se brise :***

- a) Déverrouillez le couvercle du radiant en le poussant de deux doigts (Fig. 35) ou en utilisant une pince.
- b) Remplacez la tige en céramique brisée.
- c) Verrouillez le couvercle du radiant.

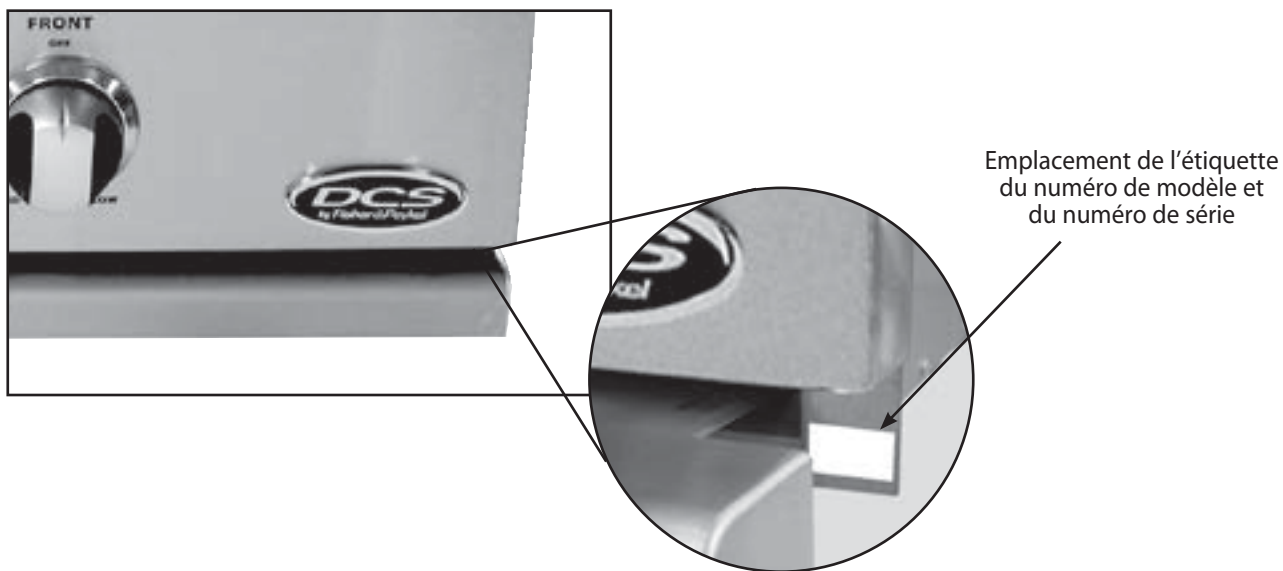
# INSTALLATION

## LISTE DE CONTRÔLE DE L'INSTALLATEUR

|  |   |  |
|--|---|--|
| <input type="checkbox"/> Respect des dégagements spécifiés pour les combustibles.  | adjacent allumé.  | <input type="checkbox"/> Vérifiez l'allumage avec une allumette.   |
| <input type="checkbox"/> Ventilation des enceintes vérifiée.   | <input type="checkbox"/> Obturateurs d'air réglés.  | <input type="checkbox"/> Utilisateur informé de l'emplacement du robinet d'arrêt de l'alimentation en gaz. |
| <input type="checkbox"/> Emballage interne retiré et tout le résidu adhésif enlevé (pour les résidus tenaces, utilisez l'alcool dénaturé ou un solvant adhésif disponible dans le commerce). | <input type="checkbox"/> Réglage de flamme faible satisfaisant.   | <input type="checkbox"/> Tous les radiants sont assemblés et mis en place.                                 |
| <input type="checkbox"/> Boutons tournant librement, cadrans centrés.  | <input type="checkbox"/> Ramasse-gouttes mis en place correctement et glissant librement.                                       | <input checked="" type="checkbox"/> VEUILLEZ LAISSER CES INSTRUCTIONS À L'UTILISATEUR.                     |
| <input type="checkbox"/> Chaque brûleur s'allume correctement, que ce soit seul ou avec le brûleur   | <input type="checkbox"/> Régulateur de pression connecté et réglé pour 4,0 po C.E. (gaz naturel) ou 11,0 po C.E. (gaz propane). | <input checked="" type="checkbox"/> UTILISATEUR, VEUILLEZ CONSERVER CES INSTRUCTIONS À TITRE DE RÉFÉRENCE. |
|  | <input type="checkbox"/> Robinet d'arrêt manuel installé et accessible.   |  |
|  | <input type="checkbox"/> Appareil testé et exempt de fuites.  |  |

### REMARQUE :

Si un des articles indiqués manque, contactez DCS au (888) 936-7872. Veuillez avoir le numéro de modèle, le numéro de série et la description du produit dont vous avez fait l'achat à portée de la main.



Lisez toutes les instructions d'installation figurant dans ce manuel pour voir si l'unité a été correctement installée. Si celle-ci n'a pas été faite ou n'a pas été faite correctement, rectifiez-la avant d'utiliser l'unité.

# UTILISATION DU GRIL

## INSTRUCTIONS D'ALLUMAGE

### INSTRUCTIONS D'ALLUMAGE (BGC30-BQR MODÈLE)

#### Remarque :

Ouvrez le couvercle du gril avant d'allumer. Mettez tous les boutons sur « OFF ». Ouvrez l'alimentation en gaz. Si vous sentez une odeur de gaz, fermez le gaz et appelez le service technique.

#### Instructions d'allumage du gril :

Le bouton du gril est raccordé au module d'allumage électronique. Enfoncer le bouton du gril activera le module d'allumage pour obtenir une étincelle. Enfonchez et maintenez le bouton d'allumage, puis tournez le bouton du brûleur choisi à la position « SEAR ». Si le brûleur ne s'allume pas après 4 ou 5 secondes, mettez le bouton sur « OFF » et patientez 5 minutes avant d'essayer de nouveau, afin de laisser le temps au gaz accumulé de se dissiper.

#### Allumage du gril à l'allumette :

Si le brûleur ne s'allume pas après plusieurs tentatives, utilisez des allumettes. Si vous venez de faire une tentative à l'aide du bouton d'allumage, patientez 5 minutes afin de laisser le gaz accumulé se dissiper. Éloignez toujours le visage le plus possible d'appareil d'extérieur, puis placez une allumette de pochette sur l'orifice situé en haut à gauche (brûleur de gauche) ou à droite (brûleur de droite); voir les figures 52 et 53. Enfonchez et tournez le bouton de réglage centré sur le brûleur où se trouve l'allumette, sur « SEAR ». Si le brûleur ne s'allume pas en moins de 4 secondes, fermez le bouton, patientez 5 minutes, puis essayez de nouveau.

Allumez le brûleur gauche ou droit à l'aide de la procédure normale ou avec une allumette. Enfonchez puis tournez le bouton de réglage du brûleur adjacent à la position « SEAR ». Le gaz s'allume grâce à la flamme des brûleurs adjacents. Si le brûleur ne s'allume pas en moins de 4 secondes, fermez le bouton, patientez 5 minutes, puis essayez de nouveau.



Fig. 39a

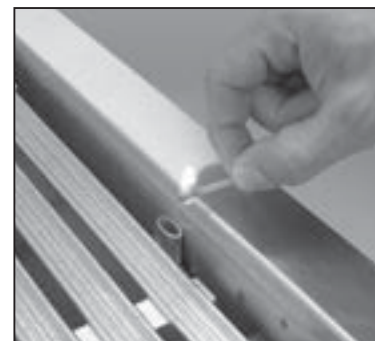


Fig. 39b

### POUR ALLUMER LE BRÛLEUR DU GRIL : (BGC30-BQ MODÈLE)

Ouvrez le couvercle du gril avant d'allumer. Mettez tous les boutons sur « OFF ». Ouvrez lentement l'alimentation en gaz. Si vous sentez une odeur de gaz, fermez le gaz et appelez le service technique.

Enfonchez le bouton d'allumage et tournez le bouton du brûleur choisi à la position « SEAR ». Si le brûleur ne s'allume pas après 4 ou 5 secondes, mettez le bouton sur « OFF » et patientez 5 minutes avant d'essayer de nouveau, afin de laisser le temps au gaz accumulé de se dissiper.

#### Allumage du gril à l'allumette :

Si le brûleur ne s'allume pas après plusieurs tentatives, utilisez des allumettes. Si vous venez de faire une tentative à l'aide du bouton d'allumage, patientez 5 minutes afin de laisser le gaz accumulé se dissiper. Éloignez toujours le visage le plus possible du gril, puis faites passer une allumette de pochette allumée au-dessus du trou situé en haut à gauche (brûleur de gauche) ou à droite (brûleur de droite); voir les figures 39 et 40. Enfonchez et tournez le bouton de réglage centré sur le brûleur où se trouve l'allumette, sur « SEAR ». Si le brûleur ne s'allume pas en moins de 4 secondes, fermez le bouton, patientez 5 minutes, puis essayez de nouveau.

Une fois le brûleur gauche ou droit allumé, vous pouvez allumer les brûleurs adjacents à l'aide de la méthode d'allumage croisé. Pour allumer les brûleurs centraux, allumez le brûleur gauche ou droit adjacent, à l'aide de la procédure normale ou avec une allumette. Enfonchez puis tournez le bouton de réglage d'un brûleur central sur « HI »; le gaz s'allume grâce à la flamme des brûleurs adjacents. Si le brûleur ne s'allume pas en moins de 4 secondes, fermez le bouton, patientez 5 minutes, puis essayez de nouveau.

#### REMARQUE :

Des procédures d'allumage inappropriées peuvent activer la régulation du débit de la bouteille de propane, entraînant une sortie de chaleur réduite. Si cela est soupçonné, pour réinitialiser la régulation du débit, fermez toutes les commandes de brûleurs et le robinet de la bouteille de propane, patientez 30 secondes, puis ouvrez le robinet de propane extrêmement lentement, patientez cinq (5) secondes et appuyez et maintenez le bouton d'allumage, puis mettez la valve du brûleur sur « SEAR ».




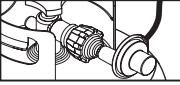

FIG. 40a



FIG. 40b

## ⚠ AVERTISSEMENT

Ne pas suivre les étapes dans l'ordre indiqué risque d'entraîner une activation du dispositif de limitation du débit et de provoquer un débit de gaz extrêmement faible et un mauvais fonctionnement.

-  Tous les boutons doivent être en position OFF avant d'ouvrir le robinet de la bouteille de propane.
-  Attacher l'ensemble du tuyau de détendeur à la bouteille.
-  Maintenant, ouvrir le robinet de la bouteille de propane de deux (2) tours complets au minimum.

# UTILISATION DU GRIL

## CUISSON SUR GRIL

Chaque section du grill consiste en un gros brûleur en acier inoxydable, une série d'écrans thermiques en acier inoxydable, une série de tiges en céramique encastrées dans une radiant en acier inoxydable, et une grille adia-thermique en acier inoxydable. Chaque brûleur est prévu pour 25 000 BTUH / 26.4 MJ/h. Sous chaque brûleur se trouve un écran thermique en acier inoxydable qui réfléchit la chaleur utile vers le haut, vers la zone de cuisson, et réduit la température du ramasse-gouttes vers le bas. Au-dessus des brûleurs se trouvent des radiants en acier inoxydable qui entourent les tiges en céramique et protègent les ports du brûleur de tout blocage potentiel (Fig. 41).

Le grill est livré avec des tiges en céramique. Du fait de la porosité des tiges en céramique, leur rendement est meilleur car elles peuvent mieux capturer la chaleur émanant des brûleurs du grill. Les tubes possèdent aussi la masse thermique nécessaire pour assurer une performance de cuisson uniforme. Les éruptions de flammes sont contrôlées du fait que les tiges en céramique rayonnantes empêchent la graisse d'atteindre les flammes et de prendre feu. La chaleur intense engendrée par ce système produit une vraie saveur de grillade car les matières grasses et les jus sont amenés à la surface des aliments et caramélisés. La décoloration des grille est normale après utilisation.

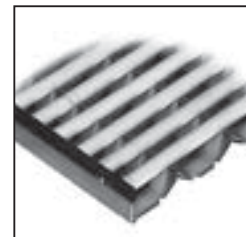
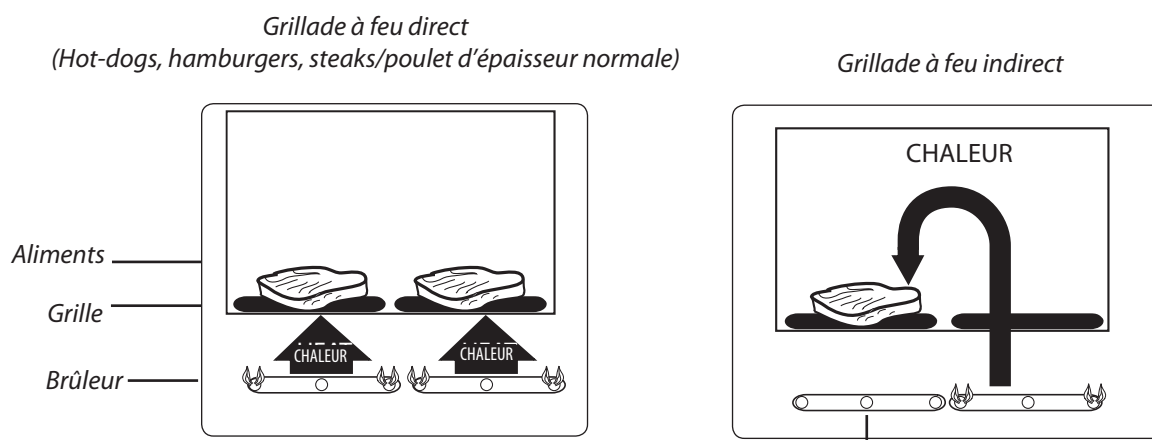


FIG. 41

### REMARQUES SUR LA CUISSON DIRECTE/INDIRECTE :

La cuisson directe implique de place les aliments sur les grilles sur les brûleurs allumés. Utilisez cette méthode pour les aliments qui prennent moins de 20 minutes à cuire ou pour saisir des aliments plus gros au début de la cuisson qui seront alors cuits indirectement pour finir. Placez les aliments sur la surface préchauffée et laissez-les jusqu'à ce qu'ils ne collent plus. Les retourner trop tôt ou trop souvent est l'une des erreurs de grill les plus courantes. Ne vaporisez jamais d'eau sur le grill ou dans la graisse. Le Grease Management System™ (Système de gestion de graisse) breveté réduit les flammes en canalisant la graisse à l'écart de la flamme. Utilisez une thermomètre pour viande pour obtenir la cuisson désirée et retirez les aliments un degré inférieur à la manière dont vous les appréciez étant donné que la période de repos avant de découper ou de consommer augmentera la température.

La méthode de cuisson indirecte est une alternative répandue par rapport à la méthode directe. Elle consiste à utiliser la chaleur provenant des brûleurs adjacents pour cuire les aliments, ce qui évite souvent de les cuire ou braiser excessivement. Les aliments les plus appropriés pour ce type de cuisson comprennent les pains et les morceaux plus épais de poulet ou de steak. La cuisson indirecte implique de placer les aliments sur les grilles lorsque les brûleurs en dessous ne sont pas allumés et de fermer le couvercle du grill pour créer un effet de four. Tous les aliments que vous rôtissez normalement au four peuvent être grillés à perfection avec la méthode de chauffage indirect. Préchauffez les brûleurs entourant les aliments à cuire. Utilisez le grill pour maintenir les aliments et ajoutez de l'eau ou du bouillon de poule dans le plat pour empêcher les jus naturels de brûler ou de s'évaporer.





# UTILISATION DU GRIL

## CUISSON SUR GRIL (suite)

### IMPORTANT Utilisation du gril :

Traiter les grilles avant la première utilisation, puis périodiquement si nécessaire. Ce sera de les protéger contre corrosion et aider à arrêter de coller alimentaire. Pour traiter les grilles, versez une cuillère à soupe d'huile végétale sur un chiffon doux et frottez les deux côtés des grilles. Il suffit d'un léger film et de la fumée risque d'être visible pendant le préchauffage. La cuisson sur gril exige un feu vif pour rôtir les aliments et les braiser correctement. La plupart des aliments sont cuits à feu « MEDIUM » à « LOW » pendant tout le temps de cuisson. Cependant, pour griller de gros morceaux de viande ou de volaille, il peut s'avérer nécessaire de baisser le feu après le braisage initial. Cela permet de cuire la nourriture sans en brûler l'extérieur. Pour les aliments cuits pendant une longue durée ou arrosés d'une marinade sucrée, il est bon de réduire le feu vers la fin du temps de cuisson.

1. Vérifiez que le ramasse-gouttes et le récipient à graisse sont en place.
2. Allumez les brûleurs du gril conformément aux instructions figurant à la page 25.
3. Une fois que vous avez vérifié que les brûleurs sont allumés, abaissez le couvercle pour préchauffer. Préchauffez le gril pendant 5 à 10 minutes.
4. Placez les aliments sur le gril et faites-les cuire jusqu'à obtenir le degré de cuisson désiré. Réglez le niveau du feu au besoin. Le bouton de réglage peut être réglé à n'importe quelle position entre « SEAR » et « LOW »; la cuisson sur gril se fait généralement entre les niveaux « MEDIUM » à « LOW ».
5. Lorsque vous terminez d'utiliser le gril, mettez les boutons des brûleurs sur "OFF" et fermez l'alimentation en gaz.
6. Laissez le gril refroidir et nettoyez les grilles, le ramasse-gouttes et le récipient à graisse après chaque utilisation.

### **Remarque :**

*Si vous utilisez du propane, le temps de préchauffage peut être plus court que celui recommandé. Pour éviter de trop cuire ou de brûler les aliments, réduisez le feu.*

### CONSEILS AU SUJET DU GRIL :

Le degré de cuisson d'une viande (saignant, à demi-saignant ou à point) dépend largement de l'épaisseur des morceaux. Selon les experts, il est impossible d'obtenir un degré de cuisson saignant avec un morceau de viande mince. Le temps de cuisson est affecté par la sorte de viande, les dimensions et la forme du morceau, la température de la viande au début de la cuisson et le degré de cuisson désiré. Il est recommandé de décongeler la viande durant la nuit, dans le réfrigérateur et non pas dans un micro-ondes. Cela donne généralement une viande plus juteuse. Utilisez une spatule au lieu de pincettes ou d'une fourchette pour retourner la viande car la spatule ne perce pas la viande et ne laisse pas le jus s'échapper. Pour obtenir une viande très juteuse, ajoutez des épices ou du sel après la cuisson et retournez la viande une fois seulement (le jus est perdu quand la viande est retournée plusieurs fois). Retournez la viande dès que le jus commence à faire des bulles à la surface. Enlevez l'excès de gras de la viande avant la cuisson. Pour empêcher les biftecks ou les côtelettes de se replier durant la cuisson, faites des entailles dans le gras, le long des bords, par intervalles de 5 cm (2 po).

# UTILISATION DE LA RÔTISSOIRE (BGC30-BQR MODÈLES)

Le système de rôtissoire de grill est conçu pour cuire les aliments par l'arrière, au moyen d'une chaleur à infrarouge. L'emplacement du brûleur permet de placer la cuvette d'arrosage de la rôtissoire (incluse) sous les aliments afin de recueillir les jus et les gouttes qui serviront à arroser la nourriture et faire des sauces. Vous pouvez ajouter des herbes, de l'oignon, de l'ail ou des épices pour parfumer le contenu de la cuvette d'arrosage. L'ajout de tranches d'ananas et de sucre brun donne un résultat particulièrement délicieux avec le jambon. Le brûleur de rôtissoire est de type à infrarouge et fournit une chaleur radiante pour cuisson à haute température. Privilégiée par les chefs par rapport à d'autres méthodes, cette chaleur intense s'avère idéale pour cuire les aliments dans les jus et nutriments naturels que l'on trouve dans des morceaux de viande de choix.

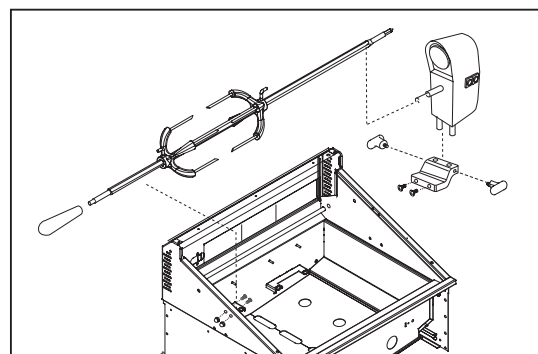


FIG. 42

Une fois allumé, le brûleur de la rôtissoire atteint sa température de cuisson en 1 minute environ. La lueur orange/rouge devient uniforme après 5 minutes. Le moteur de la rôtissoire comporte des engrenages métalliques et peut faire tourner jusqu'à 22 kg (50 lb) de viande ou de poulet. Le moteur de la rôtissoire est assujéti à un bloc moulé à l'aide de deux boutons vissables noirs. Le bloc est lui-même boulonné sur le panneau droit. Le tournebroche de la rôtissoire est installé dans l'ensemble moteur en plaçant l'extrémité pointue dans le moteur et en posant l'extrémité du manche sur le support, sur le côté gauche du grill. Le tournebroche étant enfoncé le plus loin possible dans le moteur, sa fin autour du rouleau doit reposer sur les roulettes.

Pour charger le tournebroche, commencez par mettre le manche en place, puis glissez les fourchettes de retenue (fourches dirigées vers le côté opposé du manche) sur le tournebroche. Enfoncez le tournebroche au centre des aliments, puis glissez les autres fourchettes de retenue (fourches pointant vers les aliments) sur le tournebroche. Centrez l'aliment à cuire sur le tournebroche, puis poussez fermement les fourchettes les unes vers les autres. Serrez l'écrou en forme de L à l'aide d'une pince. Vous devrez peut-être enrouler du fil de boucher ou de la soie dentaire (n'utilisez jamais de nylon ou de fil en plastique) pour assujettir les parties détachées. Une fois les aliments bien attachés, insérez le tournebroche dans le moteur. Retirez les grilles du grill au besoin. Placez la cuvette d'arrosage en dessous des aliments. Il est normal que le tournebroche plie sous le poids de gros morceaux de viande.

De plus, le moteur est équipé d'une ampoule halogène permettant d'éclairer si les autres sources d'éclairage s'avèrent insuffisantes. Pour un rechange, utilisez uniquement une ampoule halogène à faisceau étroit de 50 W ou équivalent maximum.

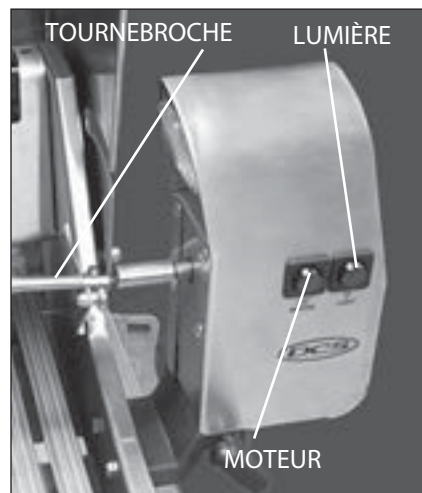


FIG. 43

## **⚠ AVERTISSEMENT!**

Les lampes halogènes sont faites d'une ampoule de verre comportant un tube à filament interne pressurisé fonctionnant à températures élevées et pouvant éclater subitement. Si l'ampoule externe casse, des particules de verre extrêmement chaudes peuvent être relâchées dans l'enceinte du dispositif d'éclairage ou dans son environnement, créant ainsi un risque de blessures ou d'incendie. Avant de remplacer une ampoule, laissez-la refroidir et assurez-vous que le courant est coupé. Ne laissez jamais une ampoule chaude entrer en contact avec l'eau. **NE TOUCHEZ PAS l'ampoule lorsqu'elle est allumée.** Elle pourrait être suffisamment chaude pour vous blesser.

# UTILISATION DE LA RÔTISSOIRE (BGC30-BQR MODÈLES)

## **AVERTISSEMENT!**

N'allumez jamais les brûleurs du grill (brûleurs inférieurs) lorsque vous utilisez la rôtissoire. Cela brûlerait la viande et la rendrait très sèche. Utilisez une section à la fois seulement, soit le grill, soit la rôtissoire.

## **PRÉPARATION**

### **Recommandé :**

Soie dentaire ou corde de boucher, ciseaux, lèche-frite (fond seulement), pince, thermomètre instantané, papier aluminium et poignées isolantes.

### **Zone de travail :**

Prévoyez suffisamment d'espace pour accommoder les aliments et la rôtissoire dans un environnement propre.

### **Préparation de la viande :**

Ficelez la viande avec de la corde de boucher ou de la soie dentaire à trois endroits. Achetez un rôti qui soit de volume égal sur la partie supérieure et inférieure. La viande cuira de façon plus uniforme sur la rôtissoire. Si c'est de la volaille, ficelez les ailes et les cuisses au corps à l'aide de soie dentaire ou de corde de boucher pour éviter qu'elles ne se déplient durant la rotation (Fig. 44).



FIG. 44

1. Déterminez le centre de la pièce, placez les premières fourchettes sur le tournebroche et tournez la vis en forme de L pour serrer.
2. Centrez la viande ou la volaille ficelée sur le tournebroche, placez les secondes fourchettes et tournez la vis en forme de L pour serrer (Fig. 45).
3. Saisissez le tournebroche et tournez-le pour vérifier que le tout est équilibré. Si ce n'est pas le cas, ajustez les fourchettes et les aliments de façon à équilibrer le tout. Serrez à l'aide d'une pince la vis en forme de L des deux côtés des fourchettes.
4. Retirez au besoin les grilles et la grille supérieure du grill. Placez la partie inférieure du lèche-frite sur les tiges en céramique, de façon à récolter les gouttes provenant de la viande (Fig. 46).



FIG. 45



FIG. 46

# UTILISATION DE LA RÔTISSOIRE (BGC30-BQR MODÈLES)

## POUR ALLUMER LE BRÛLEUR DE RÔTISSERIE AVANT DE FAIRE CUIRE :

L'emplacement du brûleur de rôtisserie le rend plus susceptible aux vents forts que les brûleurs de gril qui sont protégés. Pour cette raison, évitez de faire fonctionner la rôtisserie s'il vente. Par mesure de sécurité supplémentaire, nous avons équipé le brûleur d'une valve de sécurité automatique qui ne laisse pas s'écouler le gaz vers le brûleur à moins que les conditions suivantes soient réunies quand le bouton est activé :

1. Le bouton de la valve de sécurité est maintenu enfoncé.
2. Le thermocouple de la valve de sécurité est suffisamment réchauffé pour garder la valve ouverte.

Ouvrez le couvercle. Enfoncez le bouton d'allumage et gardez-le ainsi. Vous devriez entendre un son sec. Mettez le bouton de réglage sur « HI ». Enfoncez le bouton de la valve de sécurité et gardez-le ainsi jusqu'à ce que le brûleur reste allumé. Une fois allumé, mettez le bouton de réglage sur le niveau désiré. Si le brûleur ne s'allume pas en moins de 4 ou 5 secondes, relâchez le bouton de la valve de sécurité et mettez le bouton de réglage sur « OFF », puis patientez 5 minutes avant d'essayer de nouveau.

- Si vous rallumez un brûleur déjà chaud, attendez 5 minutes.
- Ne laissez jamais le bouton de réglage allumé si la rôtisserie n'est pas utilisée.
- N'allumez jamais un brûleur de gril sous la rôtisserie alors que le brûleur de la rôtisserie est allumé.

## ALLUMAGE MANUEL :

Pour allumer manuellement la rôtisserie, placez un briquet à butane à l'extrémité du thermocouple tel qu'indiqué à la figure 27. Mettez le bouton de réglage sur « HI ». Maintenez le bouton de la valve de sécurité enfoncé pendant 4 à 5 secondes ou jusqu'à ce que le brûleur reste allumé. Une fois allumé, mettez le bouton de réglage sur le niveau désiré. Si le brûleur ne s'allume pas en moins de 4 ou 5 secondes, relâchez le bouton de la valve de sécurité et mettez le bouton de réglage sur « OFF », puis patientez 5 minutes avant d'essayer de nouveau.



FIG. 47

## **AVERTISSEMENT!**

Gardez les mains et le visage éloignés de la partie avant du brûleur! Tenez-vous sur le côté lorsque vous allumez. Une fois que c'est allumé, retirez la main tout de suite.

## **AVERTISSEMENT!**

Instructions concernant la mise à la terre électrique : Cet appareil (moteur de rôtisserie) est équipé d'une fiche bipolaire avec terre pour vous protéger contre les risques d'électrocution. Elle doit être directement branché dans une prise triphasée correctement mise à la terre ou dans une rallonge triphasée mise à la terre prévu pour la puissance du moteur de la rôtisserie et homologué pour l'usage extérieur marquée W-A. Ne coupez pas ni ne retirez la broche de terre de cette fiche. Utiliser uniquement un circuit protégé par un interrupteur de défaut à la terre (GFI).

Le moteur doit être mis électriquement à la terre conformément aux codes en vigueur ou, en l'absence de tels codes, à la norme ANSI/NFPA 70-1990 du National Electrical Code (Code national de l'électricité). Gardez le cordon électrique du moteur de la rôtisserie à l'écart des parties chaudes du gril. Retirez le moteur et rangez-le dans un lieu sec lorsque vous ne l'utilisez pas. Pour protéger contre tout choc électrique, ne pas immerger le cordon ou la fiche dans l'eau ou tout autre liquide. Débrancher l'unité de rôtisserie de la prise quand elle n'est pas utilisée et avant de la nettoyer. Laisser la rôtisserie refroidir avant d'installer ou de retirer des pièces.

# UTILISATION DE LA RÔTISSOIRE (BGC30-BQR MODÈLES)

## CUISSON SUR LA RÔTISSOIRE

1. Insérez le tournebroche préparé dans le moteur et dans les rouleaux de l'autre côté. (Fig. 48).
2. Vérifiez le bon emplacement conformément à la figure 49.
3. Allumez le brûleur, démarrez le moteur de la rôtissoire, et conservez la valve de rôtisserie sur le réglage désiré pour faire cuire toutes les viandes sur la rôtisserie.
4. Pour vérifier la température de la viande, éteignez le moteur, mettez la température sur bas niveau tout en utilisant le thermomètre instantané. Pour le poulet, la température doit être de 170° dans le blanc. Touchez le bréchet du thermomètre puis remontez de 5 cm pour obtenir un meilleur relevé de température. Retirez le thermomètre, allumez le moteur et remettez à feu vif s'il faut cuire davantage. Répétez les instructions ci-dessus (Fig. 50).
5. Lorsque vous terminez d'utiliser la rôtissoire, éteignez le moteur et mettez le bouton de la rôtissoire sur "OFF". Si vous avez fini d'utiliser l'appareil, fermez l'alimentation en gaz aussi.
6. Retirez le tournebroche; utilisez les poignées isolantes et placez la viande ou la volaille sur le fond de la lèchefrite, puis enlevez les fourchettes (Fig. 51).



## AVERTISSEMENT!

Les fourchettes sont très coupantes. Gardez les mains éloignées des extrémités lorsque vous retirez les aliments.

7. Recouvrez de papier aluminium pendant une période d'attente de 15 à 20 minutes. La viande sera plus facile à couper et le jus retournera dans la viande.

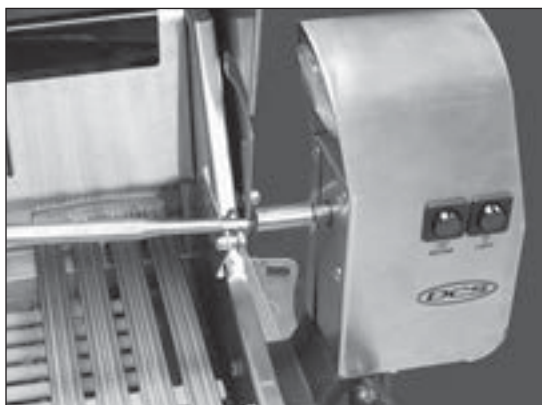


FIG. 48



FIG. 49

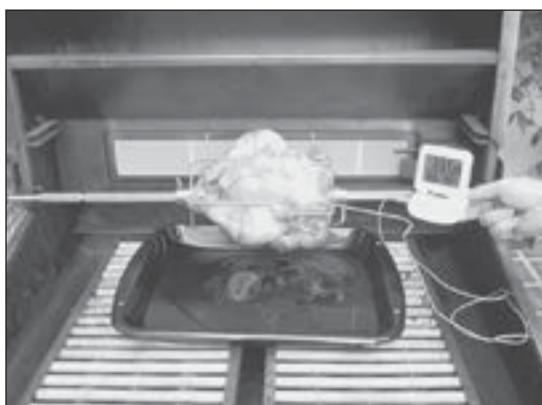


FIG. 50



FIG. 51

# ENTRETIEN ET NETTOYAGE

## REPLACEMENT DE LA PILE :

1. Retirez le ramasse-gouttes.
2. Ouvrez la porte du chariot (modèle à chariot seulement).
3. Tirez la pile vers le bas (servez-vous d'une pince aubesoin).
4. Remettez-la en place vers le haut et poussez jusqu'à entendre un déclic, Fig. 52 (la polarité est indiquée à la Fig. 53).

### Remarque :

*Vérifiez l'état de la pile au moins une fois par an.*

## REPLACEMENT DU RÉGULATEUR ET DU TUYAU :

Vous devez utiliser le régulateur de pression et le tuyau fournis avec l'unité. Pour tout remplacement, contacter le Service à la clientèle au (888) 936-7872. N'utilisez pas le gril si vous sentez une odeur de gaz. S'il s'agit d'une unité à propane, vissez le régulateur dans la bouteille et vérifiez s'il y a des fuites au niveau des connexions du tuyau et du régulateur, à l'aide d'une solution d'eau savonneuse, avant de faire fonctionner le gril. Mettez tous les boutons sur « OFF », puis ouvrez le gaz. Si vous utilisez du propane, y-a-t-il du gaz dans la bouteille?

- Éloignez toujours le visage et le corps le plus possible du gril lorsque vous allumez celui-ci.
- NE laissez PAS le gril sans surveillance pendant la cuisson.
- Conservez une bouteille d'eau savonneuse munie d'un vaporisateur près de la valve d'alimentation en gaz et vérifiez les connexions avant chaque utilisation.
- N'essayez pas d'allumer le gril si vous sentez une odeur de gaz.
- Attendez 5 minutes avant d'allumer de nouveau un gril chaud.

## AVERTISSEMENT : IMPORTANT!

Avant chaque utilisation, inspectez le tube ou tuyau d'alimentation en gaz avant d'ouvrir le gaz. S'il porte des signes de coupures, usure ou abrasion, remplacez-le avant l'utilisation.

## GRILLES DU GRIL :

Méthode 1 : Allumez sur « HI » pendant 15-20 minutes pour brûler toute particule de nourriture restante. Après avoir éteint le gril, utilisez une brosse de barbecue à soies pour éliminer toute particule de nourriture restante ou cendre.

Méthode 2 : La façon la plus facile de nettoyer le gril est de le faire juste après la cuisson, une fois le feu éteint. Portez un gant de barbecue pour vous protéger la main de la chaleur et de la vapeur. Trempez une brosse de barbecue en soies de laiton souple dans une solution de 2 tasses d'eau du robinet et de 1/2 tasse de vinaigre, et frottez le gril chaud. Trempez la brosse fréquemment dans le bol d'eau et de vinaigre. La vapeur produite au contact de l'eau avec le gril chaud facilite le nettoyage en ramollissant les particules d'aliments. Les particules tombent sur les tiges en céramique et brûlent ou atterrissent dans le ramasse-gouttes. Si vous laissez le gril refroidir avant le nettoyage, la tâche n'en sera que plus difficile.

Méthode 3 : Prenez un morceau de papier alu d'environ 30 cm, froissez-le en boule et frottez-le sur les grilles refroidies pour libérer les particules d'aliments.

### Remarque :

*Les grilles du gril doivent être traitées de nouveau après le nettoyage pour éviter toute tâche de rouille.*

## RAMASSE-GOUTTES ET RÉCIPIENT À GRAISSE :

Le ramasse-gouttes à récipient à graisse recueille la graisse de la section gril et les débordements des brûleurs latéraux. Laissez-le et son contenu refroidir avant de le nettoyer. Nettoyez souvent la graisse du ramasse-gouttes pour éviter tout risque de feu de graisse.

## TIGES EN CÉRAMIQUE :

Il n'est pas nécessaire d'enlever les tiges en céramique pour le nettoyage. Elles s'auto-nettoient en brûlant pendant la cuisson suivante. Les plateaux qui soutiennent les tiges en céramique doivent périodiquement être retournés pour éliminer les débris qu'ils peuvent contenir. Il est nécessaire de nettoyer les plateaux dépend de votre fréquence d'utilisation du gril et de la quantité et du type de nourriture cuits. Si la graisse paraît sur le dessus des tubes ou si les flammes jaillissent souvent durant la cuisson, les tubes doivent être retournés et chauffés sur « HI » pendant 30 minutes, ou plus s'ils sont très sales.



FIG. 52

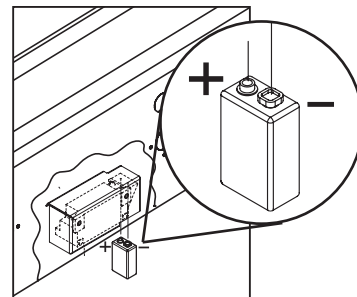


FIG. 53

# ENTRETIEN ET NETTOYAGE

## ACIER INOXYDABLE :

Le gril est fait d'acier inoxydable non magnétique. Après l'utilisation initiale, certaines parties du gril peuvent se décolorer à cause de la chaleur intense dégagée par les brûleurs. Ceci est normal. On trouve toute sorte de nettoyeurs pour acier inoxydable sur le marché. Employez toujours la méthode de nettoyage la plus douce au début, en frottant dans le sens du grain. Pour réparer des égratignures visibles à l'œil nu, frottez très légèrement avec du papier de verre 100, dans le sens du grain. Des taches de graisse peuvent s'accumuler et s'incruster sur les surfaces en acier inoxydable sous l'effet de la cuisson, ce qui peut ressembler à de la rouille. Pour les enlever, utilisez un tampon abrasif (Scotch Brite par exemple) conjointement avec un nettoyeur pour acier inoxydable. Frottez toujours dans le sens du grain.

### Remarque :

*L'acier inoxydable a tendance à se corroder en présence de chlorures et de sulfures, spécialement dans les régions côtières. Pour prévenir les risques de corrosion, lavez toutes les surfaces en acier inoxydable toutes les 3 à 4 semaines à l'aide d'eau douce et d'un nettoyeur pour acier inoxydable. Gardez le gril couvert quand il n'est pas utilisé.*

## ÉLECTRODES :

Essayez à l'aide d'un coton-tige imbibé d'eau. Faites attention de ne pas endommager l'électrode (voir Fig. 54).

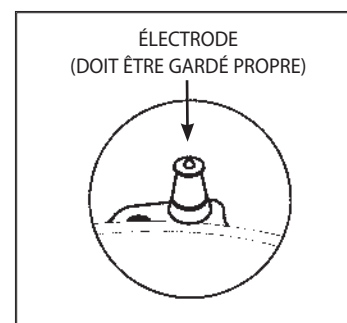


FIG. 54



FIG. 55

## BRÛLEUR DU GRIL :

Assurez-vous que l'alimentation en gaz est éteinte. Retirez les grilles de l'appareil, puis soulevez le plateau radiant du gril. Saisissez le brûleur, tirez-le vers le haut et légèrement vers l'arrière de l'appareil, de manière à ce que la tête du brûleur se dégage de l'orifice en laiton situé à l'avant; inclinez le brûleur latéralement et retirez-le.

## DÉPOSER DES BRÛLEURS EN U POUR LE NETTOYAGE

Saisissez le brûleur en U comme l'indique la photo (Fig. 55) et appuyez vers le bas avec les pouces sur le support à l'arrière tout en soulevant sur le brûleur en U. Dans certains cas, il peut être nécessaire d'utiliser un tournevis pour ouvrir la fente afin de libérer le brûleur en U. Après le nettoyage, lors du remontage du brûleur en U, veillez à ce que celui-ci soit complètement de niveau et bloqué en place. Ceci, pour s'assurer que le gril offre une performance de cuisson uniforme.

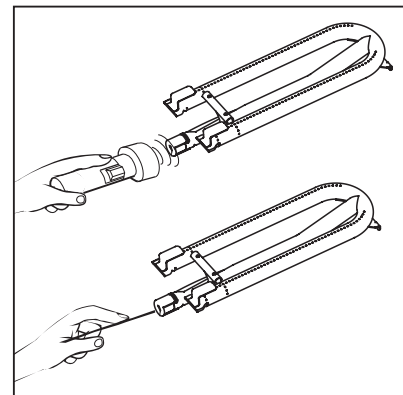


FIG. 56

## NETTOYAGE DU BRÛLEUR DU GRIL :

Nettoyez l'extérieur du brûleur à l'aide d'une brosse métallique en acier inoxydable. Éliminez le tartre coriace à l'aide d'un racloir métallique. Dégagez les ports bouchés avec une trombone déployée. N'utilisez jamais de cure-dent en bois car il pourrait se casser et bloquer le port. Secouez les débris à travers l'obturateur d'air. Inspectez l'entrée du brûleur à l'aide d'une lampe de poche pour vérifier qu'il n'est pas bloqué. Si des obstructions sont visibles, servez-vous d'un cintre métallique déployé au préalable (Voir Fig. 56).

## NETTOYAGE DE L'ORIFICE :

Le brûleur étant retiré, enlevez l'orifice et inspectez l'ouverture avec une lampe de poche pour vous assurer qu'elle n'est pas bloquée. Dégagez les débris à l'aide d'une aiguille. Faites extrêmement attention de ne pas élargir le trou ou de casser l'aiguille.

### Remarque :

*Lorsque vous remplacez le gril ou les orifices après le nettoyage, assurez-vous que l'orifice pénètre bien dans le brûleur tel qu'indiqué à la figure 57.*

# ENTRETIEN ET NETTOYAGE

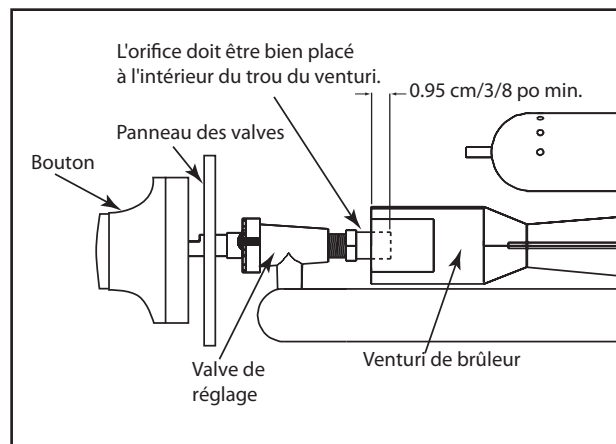
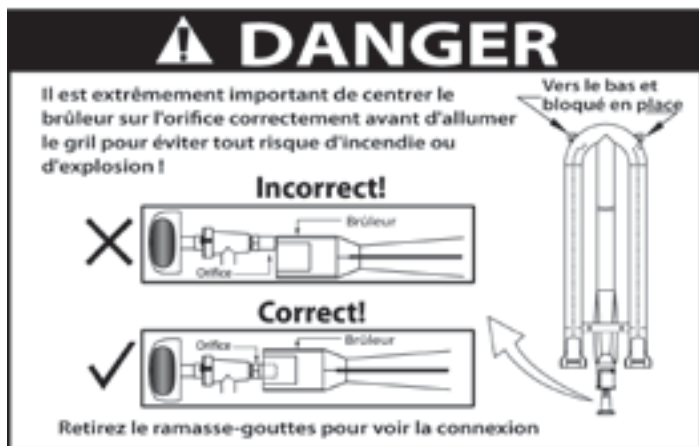


FIG. 57

Faites très attention de ne pas déranger la position initiale de l'obturateur d'air (sauf en cas de réajustement). Abaissez l'arrière du brûleur dans les découpes, sur le canal de support, à l'arrière de la boîte du brûleur. Assurez-vous qu'il est de niveau et ne balance pas. Allumez tous les brûleurs et vérifiez que leur flamme est correcte. Si des réglages sont nécessaires, reportez-vous à la page 22. Faites ceci avant d'utiliser le grill pour la cuisson.



# DÉPANNAGE

## **AVANT D'APPELER LE SERVICE TECHNIQUE :**

Si le gril ne fonctionne pas correctement, utilisez cette liste de contrôle avant de contacter votre distributeur. Vous pourriez ainsi vous épargner le coût d'une demande de service. Le dépannage couvre les problèmes d'ordre général seulement. Si le problème persiste et que vous avez besoin d'assistance, contactez votre distributeur ou le centre de service agréé le plus proche. Seuls les centres de service agréés peuvent entreprendre un service sous garantie. **Appelez le centre de service à la clientèle DCS au (888) 936-7872.**

## **LE GRIL NE S'ALLUME PAS LORSQU'ON ENFONCE LE BOUTON D'ALLUMAGE :**

1. La provision de gaz est-elle allumée?
2. Assurez-vous que le gril est froid. Retirez les grilles supérieures du gril et les plateaux radiants en céramique, puis observez l'embout de l'électrode. Vous devriez voir une étincelle jaillir de l'embout de l'électrode lorsque vous appuyez sur le bouton d'allumage.
3. S'il n'y a pas d'étincelle, vérifiez l'état de la pile. Vérifiez l'état de la pile au moins une fois par an.
4. Essayez d'allumer le brûleur avec une allumette (voir pages 25 & 30); vérifiez si les autres brûleurs de l'unité fonctionnent. Nettoyez tout débris de l'embout de l'électrode.

## **LA FLAMME DU BRÛLEUR EST JAUNE OU ORANGE, ET IL Y A UNE ODEUR DE GAZ :**

1. Vérifiez si l'entrée du brûleur est obstruée (par des toiles d'araignées par exemple). Vérifiez si l'obturateur d'air est bien ajusté.
2. Le gril se trouve peut-être dans un lieu poussiéreux. Déplacez-le, si possible, dans un endroit moins poussiéreux.

## **CHALEUR FAIBLE AVEC LE BOUTON EN POSITION « HI » :**

1. Si seul l'un des brûleurs est faible, nettoyez l'orifice et le brûleur, et débouchez les ports de toute obstruction (voir à la page 33).
2. Le gril se trouve peut-être dans un lieu poussiéreux. Déplacez-le, si possible, dans un endroit moins poussiéreux.
3. Vérifiez que l'alimentation et la pression de gaz sont bonnes.
4. Préchauffez le gril pendant un bon 15 minutes.
5. Si vous utilisez du propane, vérifiez si la bouteille est vide.

## **LA RÔTISSOIRE NE S'ALLUME PAS :**

1. La provision de gaz est-elle allumée?
2. Y-a-t-il une étincelle au niveau de l'électrode?
3. Le brûleur de rôtissoire s'allume-t-il lorsque vous essayez avec un briquet à butane?

## **LA RÔTISSOIRE S'ALLUME MAIS SA FLAMME S'ÉTEINT LORSQU'ON RELÂCHE LE BOUTON :**

1. Continuez d'appuyer sur le bouton de la valve de sécurité jusqu'à ce que le brûleur reste allumé quant on le relâche.

# SERVICE

## POUR L'OBTENTION DU SERVICE DE GARANTIE :

Pour le service sous garantie, contactez votre distributeur ou le Centre de service à la clientèle DCS au (888) 936-7872. Avant d'appeler, veuillez avoir les informations suivantes à portée de main :

- Numéro de modèle (peut se trouver sur le panneau latéral intérieur droit, derrière la poignée du ramasse-gouttes. Voir page 24).
- Numéro de série (peut se trouver sur le panneau latéral intérieur droit, derrière la poignée du ramasse-gouttes. Voir page 24).
- Code (peut se trouver sur le panneau latéral intérieur droit, derrière la poignée du ramasse-gouttes. Voir page 24).
- Date d'installation
- Brève description du problème

Votre satisfaction revêt la plus grande importance pour nous. Si un problème n'est pas résolu à votre entière satisfaction, veuillez communiquer avec nous par courrier.

Écrivez-nous à l'adresse suivante :

Fisher & Paykel Appliances Inc.  
Attention: DCS Customer Care  
695 Town Center Drive, Suite 180  
Costa Mesa, CA 92626-1902 USA  
email: [customer.care@fisherpaykel.com](mailto:customer.care@fisherpaykel.com)



[www.dcsappliances.com](http://www.dcsappliances.com)



**Copyright © Fisher & Paykel 2014. All rights reserved.**

The product specifications in this booklet apply to the specific products and models described at the date of issue. Under our policy of continuous product improvement, these specifications may change at any time. You should therefore check with your Dealer to ensure this booklet correctly describes the product currently available.

**Droits réservés © Fisher & Paykel 2014.**

Les spécifications du produit contenues dans ce manuel s'appliquent aux modèles et produits spécifiques comme décrits à la date de publication. Dans le cadre de notre politique d'améliorations en permanence de nos produits, ces spécifications pourront être modifiées à tout moment. Nous vous recommandons de vérifier auprès de votre revendeur que ce manuel décrit le produit actuellement disponible.