

# FULGOR

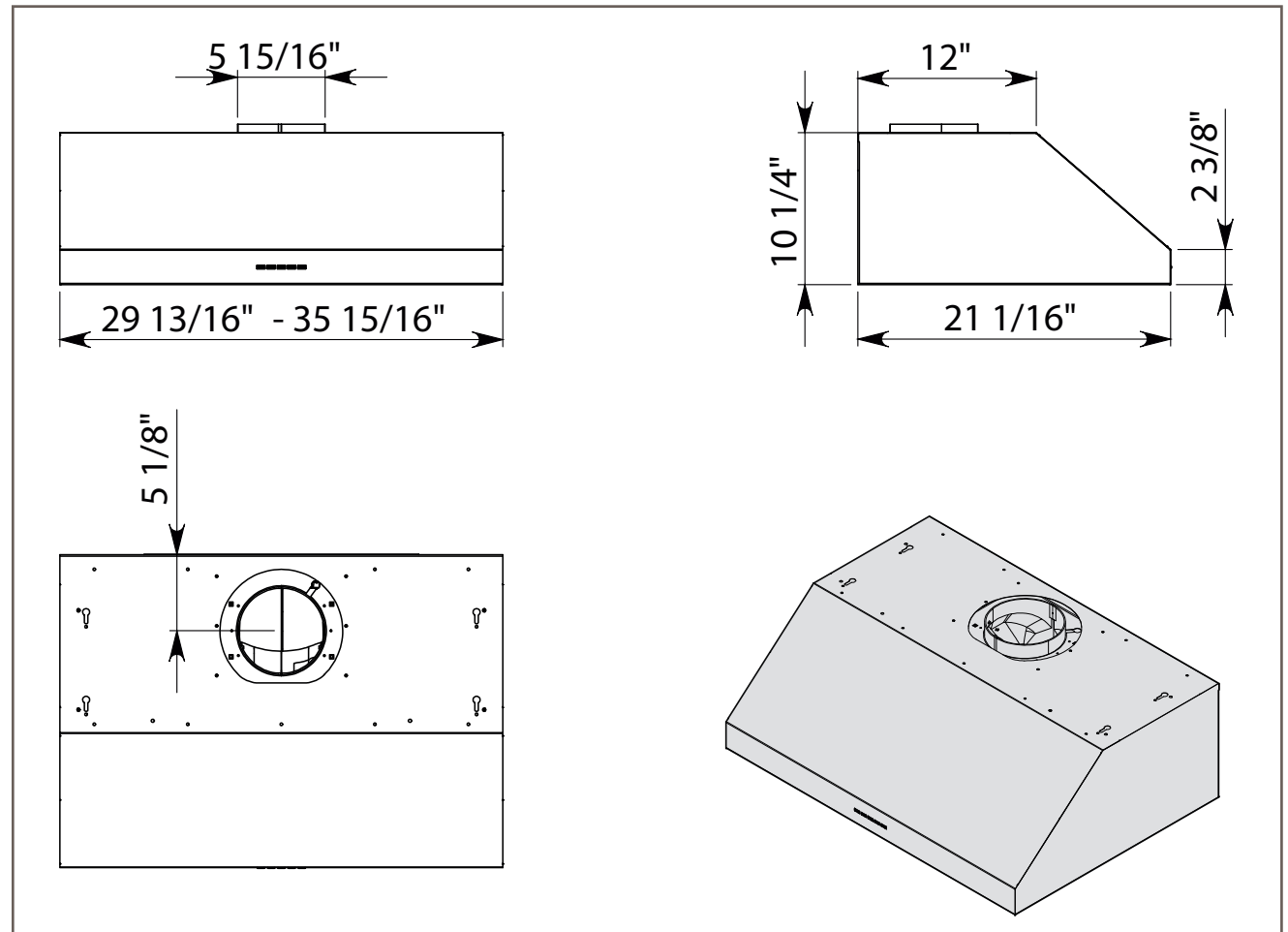
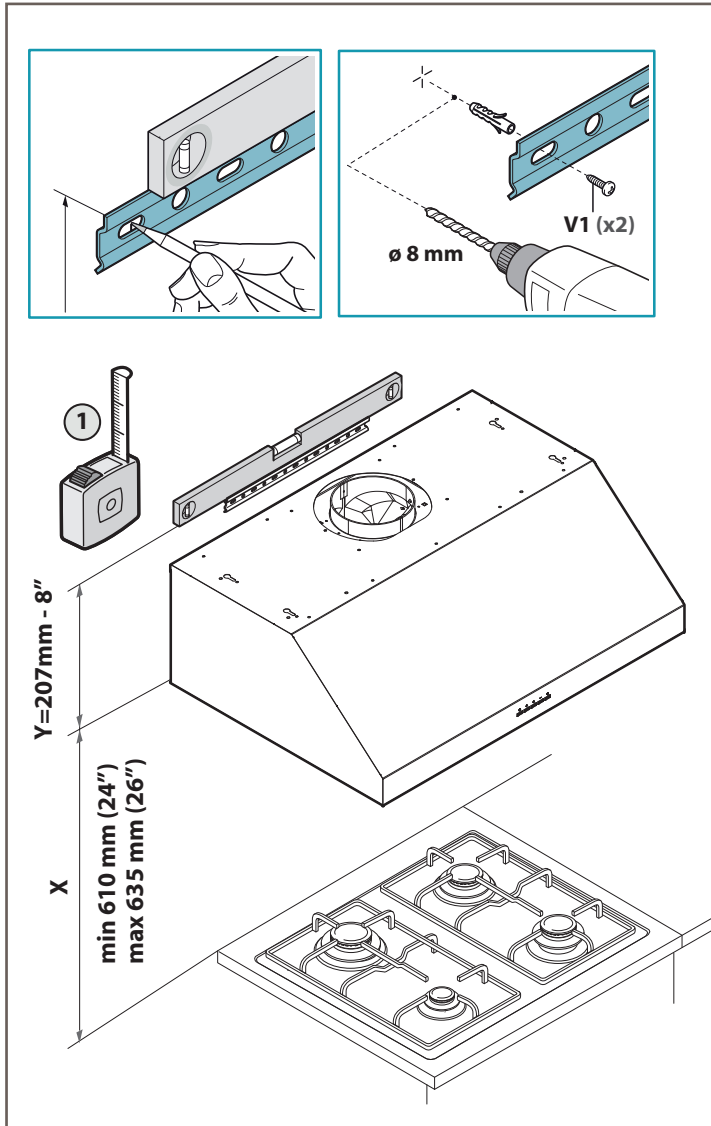
## MILANO

Hoods Undercabinet 400 SERIES

Weight & Dimensions

WEIGHT	30"	36"
	lb (Kg)	lb (Kg)
GROSS WEIGHT	39,7 (18)	46,3 (21)
NET WEIGHT	35,3 (16)	37,5 (17)

PACKAGING DIMENSION	30"		36"	
	cm	inches	cm	inches
WIDTH	84 cm	33"	103,5 cm	40 ¾"
DEPTH	61 cm	24"	74 cm	29 ¼"
HEIGHT	34cm	13 ¼"	36 cm	14 ¼"



# FULGOR

## MILANO

### 400 Series 30" Under Cabinet Hood

**F4UC30S1**

BAR CODE (EAN 13)

8019801016020

<b>Series</b>	<b>400</b>
Type	Undercabinet
Size	30 "
Colour	stainless steel
<b>PERFORMANCES</b>	
OUTPUT (CFM)	450
OUTPUT (m3/h)	800
NOISE	69
<b>MOTOR &amp; CONTROLS</b>	
CONTROL	4 speed mechanical control
VENTING TYPE	Ducted and recirculating
<b>FEATURES</b>	
FILTER	Baffle
LIGHTING	2 x1,2 w Led
DUCT SPECIFICATION	5 15/16 - 15 cm
<b>DOCUMENTATION</b>	
APPROVALS	cCSAus
<b>Dimensions/Weight</b>	
Overall dim - width	29 13/16" -76 cm
Overall dim - height	10 1/4" - 26 cm
Overall dim - depth	21 1/8" - 53,5
Cut out (wxd)	-
Gross (Net) weight (kg)	18 (16)
<b>Power / Ratings (115 V, 60 Hz)</b>	
KW rating	280 W
Power cord + Plug	yes
<b>INSTRUCTIONS FOR USE</b>	
Use & Care Manual	EN, FR, SP
Installation Manual	EN, FR, SP