

# INSTALLATION INSTRUCTIONS SLIDE-IN DOWNDRAFT RANGES

## INSTRUCTIONS D'INSTALLATION DES CUISINIÈRES À ÉVACUATION PAR LE BAS ENCASTRABLES

### Table of Contents/Table des matières

<b>RANGE SAFETY</b> ..... 2	<b>SÉCURITÉ DE LA CUISINIÈRE</b> ..... 27
<b>INSTALLATION REQUIREMENTS</b> ..... 4	<b>EXIGENCES D'INSTALLATION</b> ..... 29
Tools and Parts ..... 4	Outillage et pièces ..... 29
Location Requirements ..... 5	Exigences d'emplacement ..... 30
Venting Requirements ..... 7	Exigences concernant l'évacuation ..... 32
Electrical Requirements – U.S.A. Only ..... 9	Spécifications électriques – Canada seulement ..... 34
Electrical Requirements – Canada Only ..... 10	Spécifications de l'alimentation en gaz ..... 34
Gas Supply Requirements ..... 10	<b>INSTRUCTIONS D'INSTALLATION</b> ..... 36
<b>INSTALLATION INSTRUCTIONS</b> ..... 12	Déballage de la cuisinière..... 36
Unpack Range ..... 12	Installation de la bride antibasculement..... 36
Install Anti-Tip Bracket..... 12	Positionnement du gabarit indiquant l'emplacement du ventilateur ..... 37
Position the Blower Location Template ..... 13	Installation du circuit d'évacuation par le bas ..... 38
Install the Downdraft System ..... 14	Raccordement au gaz ..... 40
Make Gas Connection ..... 16	Réglage de l'aplomb de la cuisinière ..... 40
Level Range ..... 16	Installation du ventilateur ..... 41
Install Blower ..... 17	Réglage des pieds de nivellement ..... 43
Adjust Leveling Legs ..... 19	Vérifier que la bride antibasculement est bien installée et engagée..... 43
Verify Anti-Tip Bracket Is Installed and Engaged ..... 19	Système d'allumage électronique ..... 43
Electronic Ignition System ..... 19	Porte du four ..... 44
Oven Door ..... 20	Achever l'installation ..... 44
Complete Installation..... 20	<b>CONVERSIONS POUR CHANGEMENT DE GAZ</b> ..... 46
<b>GAS CONVERSIONS</b> ..... 22	Conversion pour l'alimentation au propane ..... 46
LP Gas Conversion ..... 22	Conversion pour l'alimentation au gaz naturel ..... 48
Natural Gas Conversion ..... 24	Réglage de la taille des flammes..... 50
Adjust Flame Height..... 26	

**IMPORTANT:**

Save for local electrical inspector's use.

**IMPORTANT :**

À conserver pour consultation par l'inspecteur local des installations électriques.

**W10787365A**

**W10787399A – SP**

# RANGE SAFETY

## Your safety and the safety of others are very important.

We have provided many important safety messages in this manual and on your appliance. Always read and obey all safety messages.



This is the safety alert symbol.

This symbol alerts you to potential hazards that can kill or hurt you and others.

All safety messages will follow the safety alert symbol and either the word “DANGER” or “WARNING.”

These words mean:

**⚠ DANGER**

You can be killed or seriously injured if you don't immediately follow instructions.

**⚠ WARNING**

You can be killed or seriously injured if you don't follow instructions.

All safety messages will tell you what the potential hazard is, tell you how to reduce the chance of injury, and tell you what can happen if the instructions are not followed.

**WARNING: For your safety, the information in this manual must be followed to minimize the risk of fire or explosion, or to prevent property damage, personal injury, or death.**

- Do not store or use gasoline or other flammable vapors and liquids in the vicinity of this or any other appliance.
- **WHAT TO DO IF YOU SMELL GAS:**
  - Do not try to light any appliance.
  - Do not touch any electrical switch; do not use any phone in your building.
  - Clear the room, building, or area of all occupants.
  - Immediately call your gas supplier from a neighbor's phone. Follow the gas supplier's instructions.
  - If you cannot reach your gas supplier, call the fire department.
- Installation and service must be performed by a qualified installer, service agency, or the gas supplier.

**WARNING:** Gas leaks cannot always be detected by smell.

Gas suppliers recommend that you use a gas detector approved by UL or CSA.

For more information, contact your gas supplier.

If a gas leak is detected, follow the “What to do if you smell gas” instructions.

**IMPORTANT:** Do not install a ventilation system that blows air downward toward this gas cooking appliance. This type of ventilation system may cause ignition and combustion problems with this gas cooking appliance resulting in personal injury or unintended operation.

In the State of Massachusetts, the following installation instructions apply:

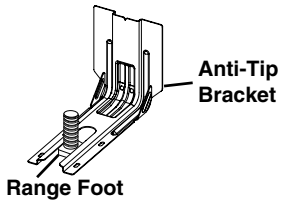
- Installations and repairs must be performed by a qualified or licensed contractor, plumber, or gasfitter qualified or licensed by the State of Massachusetts.
- If using a ball valve, it shall be a T-handle type.
- A flexible gas connector, when used, must not exceed 3 feet.



## **⚠ WARNING**

### **Tip Over Hazard**

- A child or adult can tip the range and be killed.**
- Install anti-tip bracket to floor or wall per installation instructions.**
- Slide range back so rear range foot is engaged in the slot of the anti-tip bracket.**
- Re-engage anti-tip bracket if range is moved.**
- Do not operate range without anti-tip bracket installed and engaged.**
- Failure to follow these instructions can result in death or serious burns to children and adults.**



**To verify the anti-tip bracket is installed and engaged:**

- **Slide range forward.**
- **Look for the anti-tip bracket securely attached to floor or wall.**
- **Slide range back so rear range foot is under anti-tip bracket.**
- **See installation instructions for details.**

# INSTALLATION REQUIREMENTS

## Tools and Parts

Gather the required tools and parts before starting installation. Read and follow the instructions provided with any tools listed here.

### Tools Needed

- Tape measure
- Phillips screwdriver
- Flat-blade screwdriver
- 1/8" (3 mm) flat-blade screwdriver
- Level
- Drill
- Adjustable wrench
- Slip joint pliers
- Pipe wrench
- 15/16" (2.4 cm) combination wrench
- 1/8" (3.2 mm) drill bit (for wood floors)
- Marker or pencil
- 5 1/2" hole saw (round ducting)
- Saw for 3 1/4" x 10" rectangle vent
- #2 square bit and driver
- Flashlight
- Masking tape
- Pipe-joint compound resistant to natural and LP gases
- 3/16" (4.8 mm) carbide-tipped masonry drill bit (for concrete/ceramic floors)
- Noncorrosive leak-detection solution
- Sheet metal aluminum tape

### For LP/Natural Gas Conversions

- 1/2" (13 mm) combination wrench
- 1/4" (6 mm) nut driver
- 9/32" (7 mm) nut driver

### Parts Supplied

Check that all parts are included.

- LP/Natural gas conversion kit (dual fuel models only)
- Blower mounting/venting template
- Grease filter (packaged in place)
- Oven racks (3)
- Blower motor kit (under unit)
- Blower cover kit (packed in cavity)
- 10-32 hex nuts (attached to terminal block) (3)
- Direct wire lugs (3)
- #12 x 1 5/8" (4.1 cm) screws (for mounting anti-tip bracket) (2)
- Anti-tip bracket (inside oven cavity)

Anti-tip bracket must be securely mounted to the back wall or floor. Thickness of flooring may require longer screws to anchor bracket to subfloor. Longer screws are available from your local hardware store.

### Parts Needed

- Use an approved vent cap for proper performance. If an alternate wall or roof cap is used, be certain the cap size is not reduced and that it has a backdraft damper.
- After determining your vent installation, one of the following is needed:

5" (12.7 cm) Round surface wall cap damper – Order Part Number A405.

6" (15.2 cm) Round surface wall cap damper – Order Part Number A406.

**NOTE:** If using 6" (15.2 cm) round venting, you will need a 5" (12.7 cm) to 6" (15.2 cm) round vent transition.

3 1/4" x 10" (8.3 x 25.4 cm) Surface wall cap damper – Order Part Number A403.

To order, see the "Assistance or Service" section of the Use and Care Guide:

- Metal ducting
- Vent clamp
- Aluminum foil tape

Check local codes and consult gas supplier. Check existing gas supply and electrical supply. See the appropriate "Electrical Requirements" and "Gas Supply Requirements" sections.

It is recommended that all electrical connections be made by a licensed, qualified electrical installer.

### Optional Parts

To purchase these or any other accessories, please reference the "Accessories" section of the Use and Care Guide for contact information.

#### ■ Side Trim Kits:

5/8" (1.7 cm) Black – Order Part Number W10675026

5/8" (1.7 cm) Stainless Steel – Order Part Number W10675028

1 1/8" (2.9 cm) Black – Order Part Number W10731886

1 1/8" (2.9 cm) Stainless Steel – Order Part Number W10731887

#### ■ Backsplash Kits:

High 6" (15.2 cm) Black – Order Part Number W10655449

High 6" (15.2 cm) Stainless Steel – Order Part Number W10655450

## Location Requirements

**IMPORTANT:** Observe all governing codes and ordinances. Do not obstruct flow of combustion and ventilation air.

- It is the installer's responsibility to comply with installation clearances specified on the model/serial/rating plate. The model/serial/rating plate is located behind the oven door on the top right-hand side of the oven frame.
- The range should be located for convenient use in the kitchen.
- Recessed installations must provide complete enclosure of the sides and rear of the range.
- To eliminate the risk of burns or fire by reaching over the heated surface units, cabinet storage space located above the surface units should be avoided. If cabinet storage is to be provided, the risk can be reduced by installing a range hood or microwave hood combination that projects horizontally a minimum of 5" (12.7 cm) beyond the bottom of the cabinets.
- All openings in the wall or floor where range is to be installed must be sealed.
- Cabinet opening dimensions that are shown must be used. Given dimensions are minimum clearances.
- The anti-tip bracket must be installed. To install the anti-tip bracket shipped with the range, see "Install Anti-Tip Bracket" section.
- Grounded electrical supply is required. See the appropriate "Electrical Requirements" section.
- Proper gas supply connection must be available. See "Gas Supply Requirements" section.
- Contact a qualified floor covering installer to check that the floor covering can withstand at least 200°F (93°C).
- Use an insulated pad or ¼" (0.64 cm) plywood under range if installing range over carpeting.

**IMPORTANT:** To avoid damage to your cabinets, check with your builder or cabinet supplier to make sure that the materials used will not discolor, delaminate, or sustain other damage. This oven has been designed in accordance with the requirements of UL and CSA International and complies with the maximum allowable wood cabinet temperatures of 194°F (90°C).

### Mobile Home – Additional Installation Requirements

The installation of this range must conform to the Manufactured Home Construction and Safety Standard, Title 24 CFR, Part 3280 (formerly the Federal Standard for Mobile Home Construction and Safety, Title 24, HUD Part 280). When such standard is not applicable, use the Standard for Manufactured Home Installations, ANSI A225.1/NFPA 501A or with local codes.

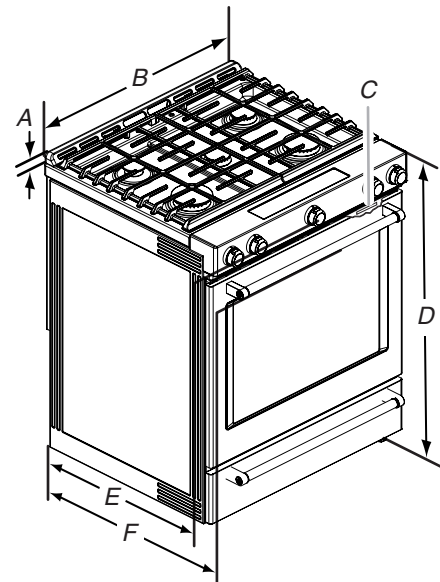
In Canada, the installation of this range must conform with the current standards CAN/CSA-A240-latest edition or with local codes.

### Mobile Home Installations Require:

- When this range is installed in a mobile home, it must be secured to the floor during transit. Any method of securing the range is adequate as long as it conforms to the standards listed above.
- Four-wire power supply cord or cable must be used in a mobile home installation. The appliance wiring will need to be revised. See "Electrical Requirements – U.S.A. Only" section.

## Product Dimensions

This manual covers several models. Your model may appear different from the models depicted. Dimensions given are maximum dimensions across all models.



- A. 1<sup>3</sup>/<sub>16</sub>" (3.0 cm) height from cooktop to top of vent
- B. 29<sup>7</sup>/<sub>8</sub>" (75.9 cm)
- C. Model/serial/rating plate (located behind the oven door on the top right-hand side of the oven frame)
- D. 36" (91.4 cm) height to top of cooktop edge with leveling legs screwed in all the way\*
- E. 28<sup>5</sup>/<sub>16</sub>" (71.9 cm) max. depth from front of console to back of range
- F. 28<sup>7</sup>/<sub>8</sub>" (73.3 cm) max. depth from handle to back of range

**IMPORTANT:** Range must be level after installation. Follow the instructions in the "Level Range" section. Using the cooktop as a reference for leveling the range is not recommended.

\*Range can be raised approximately 1" (2.5 cm) by adjusting the leveling legs.

## Cabinet Dimensions

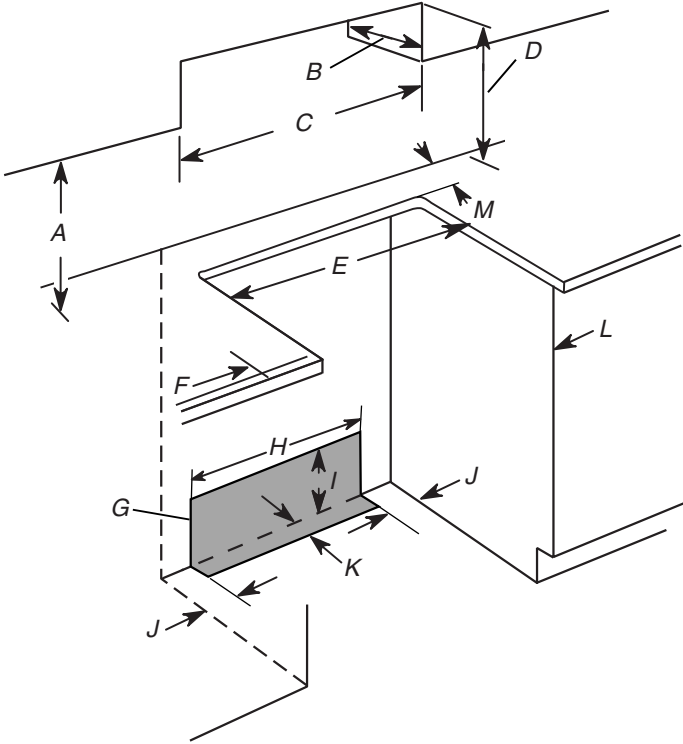
Cabinet opening dimensions shown are for 25" (64.0 cm) countertop depth, 24" (61.0 cm) base cabinet depth and 36" (91.4 cm) countertop height.

**IMPORTANT:** If installing a range hood or microwave hood combination above the range, follow the range hood or microwave hood combination installation instructions for dimensional clearances above the cooktop surface.

Range may be installed next to combustible walls with zero clearance.

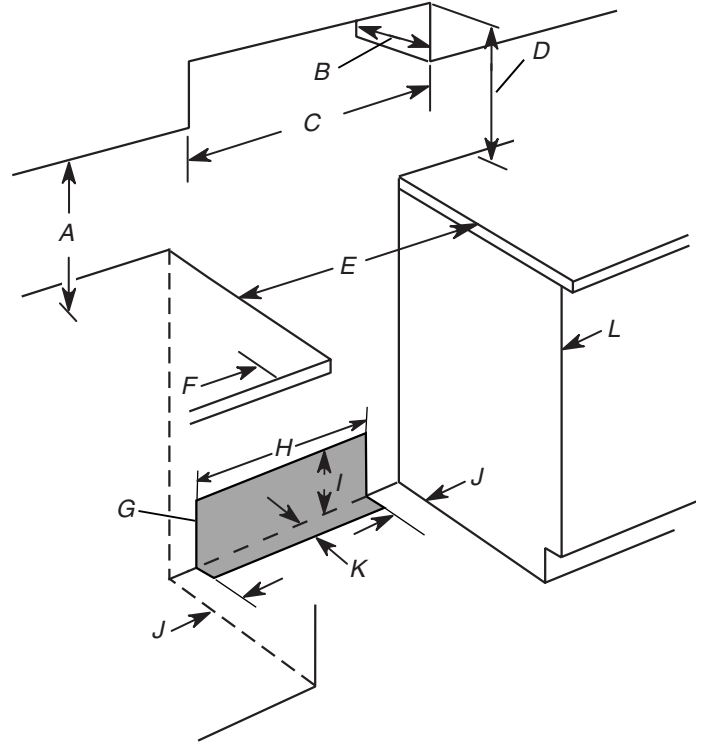
**NOTE:** When installed in a slide-in cutout, the front of oven door may protrude beyond the base cabinet.

### Slide-in Cutout



- A. 18" (45.7 cm) upper side cabinet to countertop
- B. 13" (33 cm) max. upper cabinet depth
- C. 30" (76.2 cm) min. opening width
- D. For minimum clearance to top of cooktop, see NOTE\*.
- E. 30" (76.2 cm) min. opening width
- F. 3" (7.6 cm) min. clearance from both sides of range to side wall or other combustible material
- G. The shaded area is recommended for installation of rigid gas pipe and grounded outlet.
- H. 20<sup>3</sup>/<sub>8</sub>" (51.8 cm)
- I. 7<sup>11</sup>/<sub>16</sub>" (19.5 cm)
- J. 4<sup>13</sup>/<sub>16</sub>" (12.2 cm)
- K. 3<sup>11</sup>/<sub>16</sub>" (9.4 cm) plus measurement of M
- L. Cabinet door or hinges should not extend into the cutout.
- M. Remaining counter depth should not exceed 2<sup>1</sup>/<sub>4</sub>" (5.7 cm).

### Freestanding Cutout



- A. 18" (45.7 cm) upper side cabinet to countertop
- B. 13" (33 cm) max. upper cabinet depth
- C. 30" (76.2 cm) min. opening width
- D. For minimum clearance to top of cooktop, see NOTE\*.
- E. 30" (76.2 cm) min. opening width
- F. 3" (7.6 cm) min. clearance from both sides of range to side wall or other combustible material
- G. The shaded area is recommended for installation of rigid gas pipe and grounded outlet.
- H. 20<sup>3</sup>/<sub>8</sub>" (51.8 cm)
- I. 7<sup>11</sup>/<sub>16</sub>" (19.5 cm)
- J. 4<sup>13</sup>/<sub>16</sub>" (12.2 cm)
- K. 3<sup>11</sup>/<sub>16</sub>" (9.4 cm)
- L. Cabinet door or hinges should not extend into the cutout.

\*NOTE: 24" (61.0 cm) minimum when bottom of wood or metal cabinet is shielded by not less than 1/4" (0.64 cm) flame retardant millboard covered with not less than No. 28 MSG sheet steel, 0.015" (0.4 mm) stainless steel, 0.024" (0.6 mm) aluminum or 0.020" (0.5 mm) copper.  
30" (76.2 cm) minimum clearance between the top of the cooking platform and the bottom of an uncovered wood or metal cabinet.

## Venting Requirements

**IMPORTANT:** This range must be exhausted outdoors unless you are using ductless venting. See the “Venting Methods” section.

- Do not terminate the vent system in an attic or other enclosed area.
- Use an approved vent cap for proper performance. If an alternate wall or roof cap is used, be certain the cap size is not reduced and that it has a backdraft damper.
- Vent system must terminate to the outside unless you are using a ductless vent kit.
- Use a 5" (12.7 cm) or 6" (15.2 cm) round metal vent or a 3¼" x 10" (8.3 cm x 25.4 cm) rectangular vent.
- Rigid metal vent is recommended. For best performance, do not use plastic or metal foil vent.
- If a joist or stud must be cut, then a supporting frame must be constructed.
- The size of the vent should be uniform.
- The vent system must have a damper.
- Seal all joints in the vent system.
- Use caulking to seal exterior wall or roof opening around the cap.
- Determine which venting method is best for your application.

### For Best Performance:

- Use 26-gauge minimum galvanized or 25-gauge minimum aluminum metal vent. Poor quality pipe fittings can reduce airflow. For external venting, flexible metal vent is not recommended.

### NOTES:

- For external venting, flexible metal vent is not recommended. Flexible vent creates back pressure and air turbulence that greatly reduce performance.
- Local codes may require a heavier gauge material.
- Metal duct may be reduced to 30-gauge galvanized steel or 26-gauge aluminized steel if allowed by local codes. This reduction is based on information in the International Residential Codes Section M1601.1 (2006 edition).
- Avoid installing 2 elbows together.
- Use no more than three 90° elbows.
- Make sure there is a minimum of 18" (45.7 cm) of straight vent between the elbows if more than one elbow is used. Elbows too close together can cause excess turbulence that reduces airflow.
- Do not use a 5" (12.7 cm) elbow in a 6" (15.2 cm) or 3¼" x 10" (8.3 x 25.4 cm) system.
- Do not reduce to a 5" (12.7 cm) system after using a 6" (15.2 cm) or 3¼" x 10" (8.3 x 25.4 cm) fittings.
- Avoid forming handmade crimps. Handmade crimps may restrict airflow.

The length of vent system and number of elbows should be kept to a minimum to provide efficient performance.

The maximum equivalent length of the vent system is 60 ft (18.3 m). For altitudes above 4,500 ft (1272 m), reduce recommended vent run by 20% for best performance.

### Cold Weather Installations

An additional backdraft damper should be installed to minimize backward cold air flow and a thermal break installed to minimize conduction of outside temperatures as part of the vent system. The damper should be on the cold air side of the thermal break.

Order Part Number 708786A for a 5" (12.7 cm) thermal break. Order Part Number 715557A for a 6" (15.2 cm) thermal break. To order, see the “Assistance or Service” section of the Use and Care Guide.

### Makeup Air

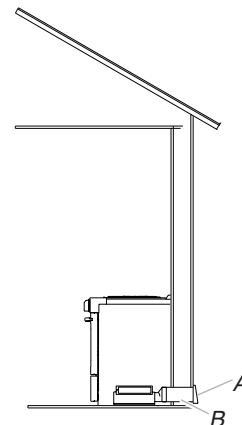
Local building codes may require the use of makeup air systems when using ventilation systems greater than specified CFM of air movement. The specified CFM varies from locale to locale.

Consult your HVAC professional for specific requirements in your area.

## Venting Methods

Common venting methods are shown for a downdraft range. The downdraft range may be vented through the wall or floor.

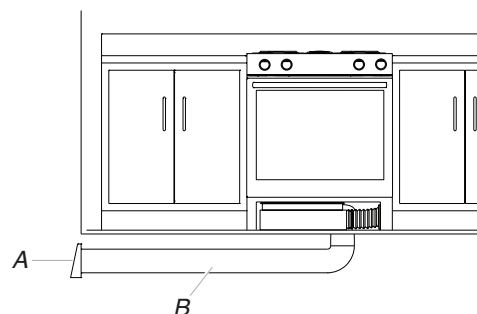
### Wall Venting



A. Wall cap  
B. Venting

### Floor Venting




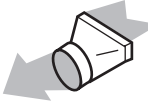

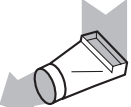
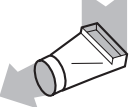
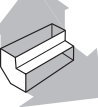
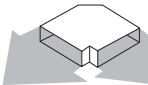
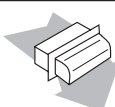
#### Venting Between Floor Joists



A. Wall cap  
B. Venting

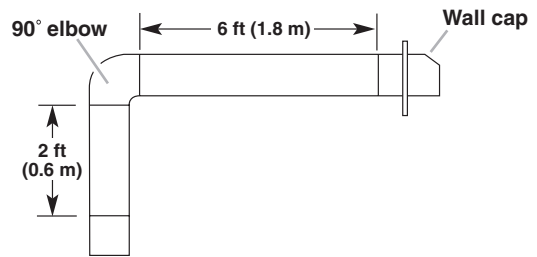
## Calculating Vent System Length

**IMPORTANT:** This range is rated at 60 ft (18.3 m) of 6" (15.2 cm) or 30 ft (9.15 m) of 5" (12.7 cm) straight duct. To calculate the length of the system you need, add the equivalent feet (meters) for each vent piece used in the system.

Vent Piece	5" (12.7 cm) or 6" (15.2 cm) Round	
Straight round		
45° elbow	2.5 ft (0.8 m)	
90° elbow	5.0 ft (1.5 m)	
6" (15.2 cm) wall cap	0.0 ft (0.0 m)	
3/4" x 10" (8.3 cm x 25.4 cm) to 6" (15.2 cm) transition	4.5 ft (1.4 m)	
6" (15.2 cm) to 3/4" x 10" (8.3 cm x 25.4 cm) transition	1 ft (0.3 m)	
3/4" x 10" (8.3 cm x 25.4 cm) to 6" (15.2 cm) 90° elbow transition	5.0 ft (1.5 m)	
6" (15.2 cm) to 3/4" x 10" (8.3 cm x 25.4 cm) 90° elbow transition	5.0 ft (1.5 m)	
3/4" x 10" (8.3 cm x 25.4 cm) 90° elbow	5.0 ft (1.5 m)	
3/4" x 10" (8.3 cm x 25.4 cm) flat elbow	12.0 ft (3.7 m)	
3/4" x 10" (8.3 cm x 25.4 cm) wall cap	0.0 ft (0.0 m)	
Straight 3/4" x 10" (8.3 cm x 25.4 cm)		
5" (12.7 cm) thermal break Part Number 708786A	2.0 ft (0.6 m)	
6" (15.2 cm) thermal break Part Number 715557A		

## Example 6" (15.2 cm) vent system

Venting Between Floor Joists



**Maximum length = 60 ft (18.3 m)**

1 - 90° elbow = 5 ft (1.5 m)

8 ft (2.4 m) straight = 8 ft (2.4 m)

1 - wall cap = 0 ft (0 m)


**System length = 13 ft (3.9 m)**

**NOTE:** For external venting, a flexible vent is not recommended. Flexible vents create back pressure and air turbulence that greatly reduce performance.



## Electrical Requirements – U.S.A. Only

⚠ **WARNING**



**Electrical Shock Hazard**

**Electrically ground range.**

**Failure to do so can result in death, fire, or electrical shock.**

Be sure that the electrical connection and wire size are adequate and in conformance with the National Electrical Code, ANSI/ NFPA 70-latest edition and all local codes and ordinances.

A copy of the above code standards can be obtained from:  
 National Fire Protection Association  
 1 Batterymarch Park  
 Quincy, MA 02169-7471

**WARNING:** Improper connection of the equipment-grounding conductor can result in a risk of electric shock. Check with a qualified electrician or service technician if you are in doubt as to whether the appliance is properly grounded. Do not modify the power supply cord plug. If it will not fit the outlet, have a proper outlet installed by a qualified electrician.

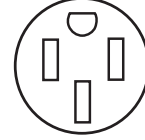
### Electrical Connection

Check local codes and consult gas supplier. Check existing electrical supply and gas supply. See “Gas Supply Requirements” section.

It is recommended that all electrical connections be made by a licensed, qualified electrical installer.

- Range must be connected to the proper electrical voltage and frequency as specified on the model/serial/rating plate. The model/serial/rating plate is located on the right vertical surface of the oven door frame. Refer to the illustrations in the “Product Dimensions” section of the “Location Requirements” section.
- This range is manufactured with a 4-wire power supply cord rated at 240 volts, 40 amps, rated at 194°F (90°C) and investigated for use with this range.

- When a 4-wire, single phase 240 volt, 60 Hz., AC only electrical supply is available, a 40-amp minimum circuit protection is required on 30" (76.2 cm) ranges, fused on both sides of the line.
- A time-delay fuse or circuit breaker is recommended.
- This range is equipped with a UL or CSA International Certified Power Cord intended to be plugged into a standard 14-50R wall receptacle. Be sure the wall receptacle is within reach of range’s final location.



- Do not use an extension cord.
- The wiring diagram is located on the back of the range or in a clear plastic bag.

Range Rating*		Specified Rating of Power Supply Cord Kit and Circuit Protection	
120/240 Volts	120/208 Volts	Amps	Temp Rating
8.8–16.5 kW	7.8–12.5 kW	40 or 50	194°F (90°C)
16.6–22.5 kW	12.6–18.5 kW	50	194°F (90°C)

\*The NEC calculated load is less than the total connected load listed on the model/serial/rating plate.

## Electrical Requirements – Canada Only

### **⚠ WARNING**



#### Electrical Shock Hazard

Electrically ground range.

Failure to do so can result in death, fire, or electrical shock.

Be sure that the electrical connection and wire size are adequate and in conformance with the CSA Standard C22.1, Canadian Electrical Code, Part 1 – latest edition, and all local codes and ordinances.

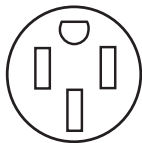
A copy of the above code standards can be obtained from:  
Canadian Standards Association  
178 Rexdale Blvd.  
Toronto, ON M9W 1R3 CANADA

- Check with a qualified electrical installer if you are not sure the range is properly grounded.

Range Rating*		Specified Rating of Power Supply Cord Kit and Circuit Protection	
120/240 Volts	120/208 Volts	Amps	Temp Rating
8.8–16.5 kW	7.8–12.5 kW	40 or 50	194°F (90°C)
16.6–22.5 kW	12.6–18.5 kW	50	194°F (90°C)

\*The NEC calculated load is less than the total connected load listed on the model/serial/rating plate.

- When a 4-wire, single phase 240 volt, 60 Hz., AC only electrical supply is available, a 40-amp minimum circuit protection is required on 30" (76.2 cm) ranges, fused on both sides of the line.
- A time-delay fuse or circuit breaker is recommended.
- This range is equipped with a UL or CSA International Certified Power Cord intended to be plugged into a standard 14-50R wall receptacle. Be sure the wall receptacle is within reach of range's final location.



- Do not use an extension cord.
- The wiring diagram is located on the back of the range or in a clear plastic bag.

## Gas Supply Requirements

### **⚠ WARNING**



#### Explosion Hazard

Use a new CSA International approved gas supply line.

Install a shut-off valve.

Securely tighten all gas connections.

If connected to LP, have a qualified person make sure gas pressure does not exceed 14" (36 cm) water column.

Examples of a qualified person include:

licensed heating personnel,  
authorized gas company personnel, and  
authorized service personnel.

Failure to do so can result in death, explosion, or fire.

Observe all governing codes and ordinances.

**IMPORTANT:** This installation must conform with all local codes and ordinances. In the absence of local codes, installation must conform with American National Standard, National Fuel Gas Code ANSI Z223.1 – latest edition or CAN/CGA B149 – latest edition.

**IMPORTANT:** Leak testing of the range must be conducted according to the manufacturer's instructions.

### Type of Gas

#### Natural Gas:

This range is design-certified by CSA International for use with Natural gas or, after proper conversion, for use with LP gas.

- This range is factory-set for use with Natural gas. See "Gas Conversions" section. The model/serial/rating plate located on the oven frame behind the top right-hand side of the oven door has information on the types of gas that can be used. If the types of gas listed do not include the type of gas available, check with the local gas supplier.

#### LP Gas Conversion:

Conversion must be done by a qualified service technician.

No attempt shall be made to convert the appliance from the gas specified on the model/serial/rating plate for use with a different gas without consulting the serving gas supplier. See "Gas Conversions" section.

### Gas Supply Line

- Provide a gas supply line of 3/4" (1.9 cm) rigid pipe to the range location. A smaller size pipe on longer runs may result in insufficient gas supply. With LP gas, piping or tubing size can be 1/2" (1.3 cm) minimum. Usually, LP gas suppliers determine the size and materials used in the system.

**NOTE:** Pipe-joint compounds that resist the action of LP gas must be used. Do not use TEFLON<sup>®</sup> tape.

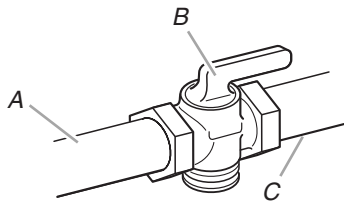
†TEFLON is a registered trademark of E.I. Du Pont De Nemours and Company.

### Flexible Metal Appliance Connector:

- If local codes permit, a new CSA design-certified, 4 to 5 ft (122 to 152.4 cm) long, 1/2" or 3/4" (1.3 or 1.9 cm) I.D. (inside diameter), flexible metal appliance connector may be used for connecting range to the gas supply line.



- A 1/2" (1.3 cm) male pipe thread is needed for connection to the female pipe threads of the inlet to the appliance pressure regulator.
- Do not kink or damage the flexible metal tubing when moving the range.
- Must include a shut-off valve:  
The supply line must be equipped with a manual shut-off valve. This valve should be located in the same room but external to the range opening, such as an adjacent cabinet. It should be in a location that allows ease of opening and closing. Do not block access to shut-off valve. The valve is for turning on or shutting off gas to the range.



A. Gas supply line  
B. Shut-off valve "open" position  
C. To range

---

### Gas Pressure Regulator

---

The gas pressure regulator supplied with this range must be used. The inlet pressure to the regulator should be as follows for proper operation:

#### Natural Gas:

Minimum pressure: 5" WCP

Maximum pressure: 14" WCP

#### LP Gas:

Minimum pressure: 11" WCP

Maximum pressure: 14" WCP

Contact local gas supplier if you are not sure about the inlet pressure.

---

### Burner Input Requirements

---

Input ratings shown on the model/serial/rating plate are for elevations up to 2,000 ft (609.6 m).

For elevations above 2,000 ft (609.6 m), ratings are reduced at a rate of 4% for each 1,000 ft (304.8 m) above sea level (not applicable for Canada).

---

### Gas Supply Pressure Testing

---

Gas supply pressure for testing regulator must be at least 1" (2.5 cm) water column pressure above the manifold pressure shown on the model/serial/rating plate.

#### Line Pressure Testing Above 1/2 psi Gauge (14" WCP)

The range and its individual shut-off valve must be disconnected from the gas supply piping system during any pressure testing of that system at test pressures in excess of 1/2 psi (3.5 kPa).

#### Line Pressure Testing at 1/2 psi Gauge (14" WCP) or Lower

The range must be isolated from the gas supply piping system by closing its individual manual shut-off valve during any pressure testing of the gas supply piping system at test pressures equal to or less than 1/2 psi (3.5 kPa).

# INSTALLATION INSTRUCTIONS

## Unpack Range

### **⚠ WARNING**

#### **Excessive Weight Hazard**

**Use two or more people to move and install range.**  
**Failure to do so can result in back or other injury.**

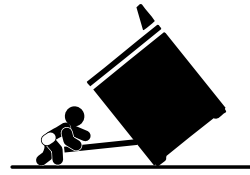
1. Remove shipping materials, tape and film from the range. Keep cardboard bottom under range. Do not dispose of anything until the installation is complete.
2. Remove oven racks and parts package from oven and shipping materials.
3. To remove cardboard bottom, first take 4 cardboard corners from the carton. Stack one cardboard corner on top of another. Repeat with the other 2 corners. Place them lengthwise on the floor behind the range to support the range when it is laid on its back.
4. Using 2 or more people, firmly grasp the range and gently lay it on its back on the cardboard corners.
5. Remove cardboard bottom.

The leveling legs can be adjusted while the range is on its back. See the "Adjust Leveling Legs" section.

**NOTE:** To place range back up into a standing position, put a sheet of cardboard or hardboard on the floor in front of range to protect the flooring. Using 2 or more people, stand range back up onto the cardboard or hardboard.

## Install Anti-Tip Bracket

### **⚠ WARNING**



#### **Tip Over Hazard**

**A child or adult can tip the range and be killed.**

**Install anti-tip bracket to floor or wall per installation instructions.**

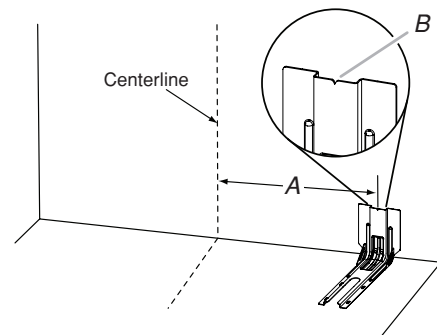
**Slide range back so rear range foot is engaged in the slot of the anti-tip bracket.**

**Re-engage anti-tip bracket if range is moved.**

**Do not operate range without anti-tip bracket installed and engaged.**

**Failure to follow these instructions can result in death or serious burns to children and adults.**

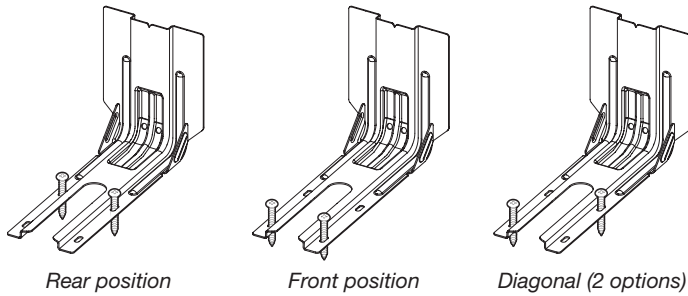
1. Remove the anti-tip bracket from the inside of the oven.
2. Determine which mounting method to use: floor or wall.  
If you have a stone or masonry floor, you can use the wall mounting method. If you are installing the range in a mobile home, you must secure the range to the floor.  
This anti-tip bracket and screws can be used with wood or metal studs.
3. Determine and mark centerline of the cutout space. The mounting bracket can be installed on either the left-hand or right-hand side of the cutout. Position mounting bracket against the wall in the cutout so that the V-notch of the bracket is 12½" (31.8 cm) from centerline as shown.



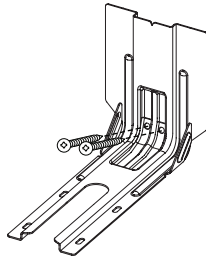
A. 12½" (31.8 cm)  
B. Bracket V-notch

- Drill two 1/8" (3 mm) holes that correspond to the bracket holes of the determined mounting method. See the following illustrations.

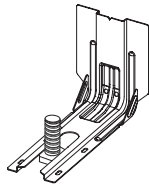
#### Floor Mounting



#### Wall Mounting



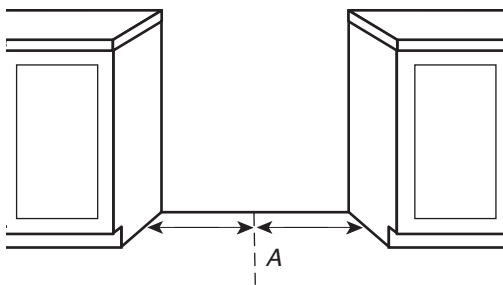
- Using the two #10 x 1 5/8" (4.1 cm) Phillips-head screws provided, mount anti-tip bracket to the wall or floor.
- Move range close enough to opening to allow for final electrical connections. Remove shipping base, cardboard or hardboard from under range.
- Move range into its final location, making sure rear leveling leg slides into anti-tip bracket.



- Move range forward onto shipping base, cardboard or hardboard to continue installing the range, using the following installation instructions.

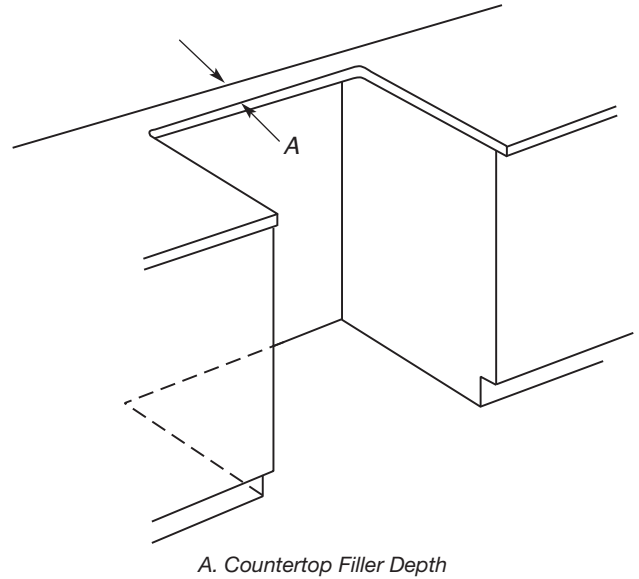
### Position the Blower Location Template

- Determine and mark the centerline on the floor of the cabinet opening.

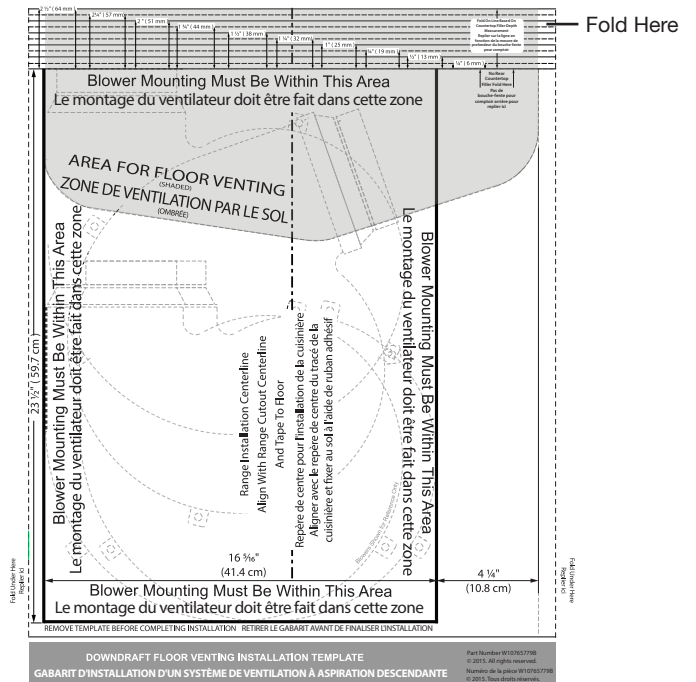


A. Centerline

- Locate the blower location template in the Installation Parts Kit.
- If the countertop extends behind the opening, measure the distance from the back edge of the cabinet cutout to the wall.



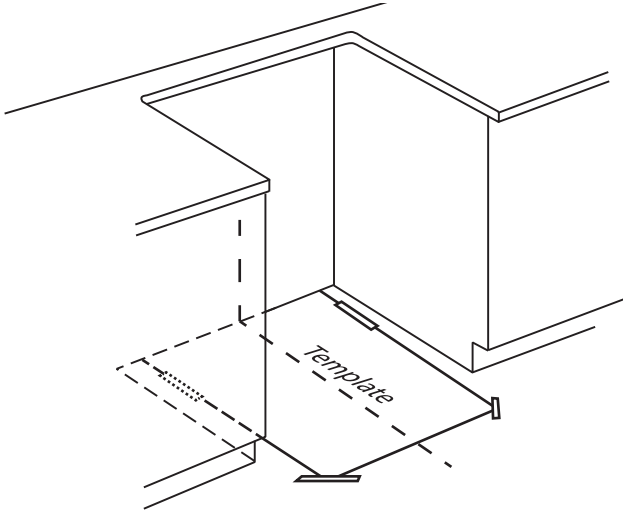
- Fold the top of the blower mounting/venting template on the line that corresponds to the countertop depth measured in Step 3.



**NOTE:** The template has lines every 1/4" (6.4 mm) from the back edge. If the distance measured in the previous step is 1 1/4" (32 mm), fold the template on the line labeled 1 1/4" (32 mm). If there is no countertop filler depth, fold the template at zero depth.

- Align the template centerline with the centerline marked on the floor. Align the folded edge of the template against the rear wall.

**NOTE:** Secure the template to the floor with tape.



## Install the Downdraft System

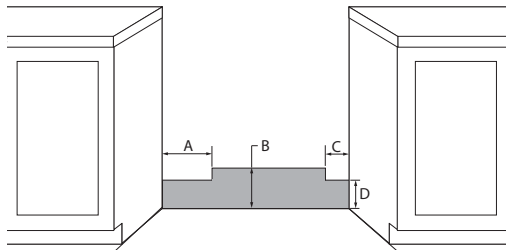
Determine which venting method to use: floor or rear wall venting. Go to the section for your type of venting. Consider the location of all utilities and ducts prior to determining final position to ensure proper fit and location.

### Rear Wall Venting

- Determine where within area illustrated below the vent will exit. Mark the vent hole for the type of venting you are using.

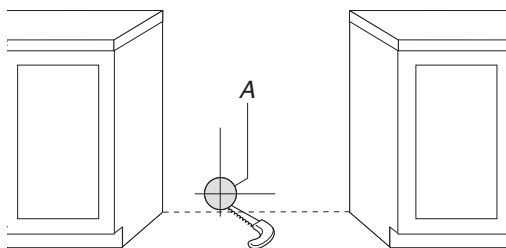
**IMPORTANT:**

- Check for obstructions (plumbing, electrical, wall studs, etc.) before marking the vent hole location.
- The home venting system should terminate within the defined area using 5" (12.7 cm) round venting.



A. 12" (30.5 cm)      C. 8" (20.3 cm)  
B. 7½" (19 cm)      D. 5½" (14 cm)

- Draw an outline of the vent on the wall and cut the vent hole.

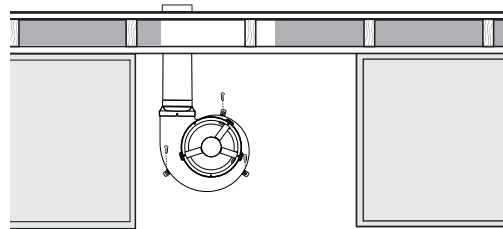


A. Vent hole

- Locate the blower.
- Locate the blower outlet adapter in the installation parts kit.
- Install the blower outlet adapter to the blower vent using three 8-18 x ⅜" screws. Seal the connection with aluminum foil tape.
- Remove three felt pads from the gasket strip.
- Remove the paper backing from the felt pads and apply to the bottom of blower motor tabs.
 

**NOTE:** Felt pads reduce motor noise and aid in mounting to uneven floors.
- Position the blower on the template so that the blower outlet adapter aligns with the home venting.
 

**IMPORTANT:** Make sure the blower motor is positioned within the area as shown on the template.
- Connect the home vent system to the blower outlet adapter using sheet metal screws. Seal the connection with aluminum foil tape.
- Drill three ⅛" (3 mm) pilot holes using the holes in the blower motor tabs as guides.
- Remove the template.
- Mount the blower motor to the floor with three #10 x 1" screws provided.



- Go to the "Make Gas Connection" section.

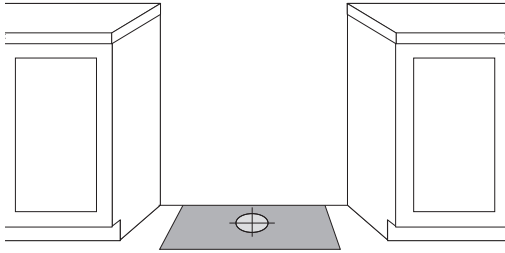
---

## Floor Venting

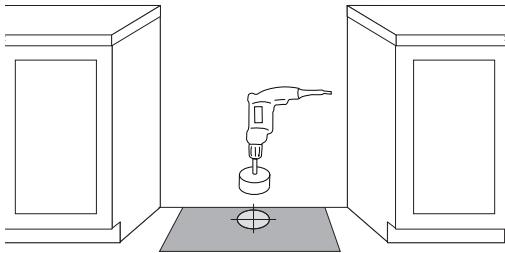
---

1. Determine where within the template area that the vent will exit. Mark the vent hole for the type of venting you are using.

**IMPORTANT:** Check for obstructions (plumbing, electrical, etc.) before marking the vent hole location.

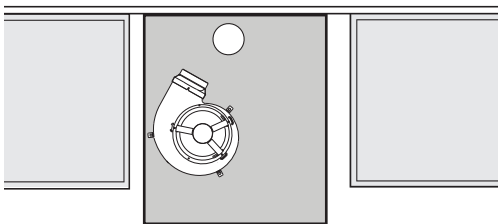


2. Draw and cut the vent hole in the floor.

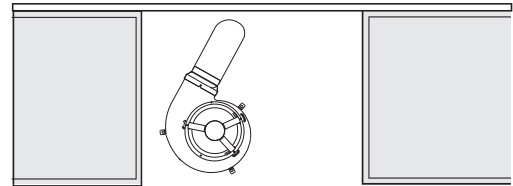


3. Install the blower outlet adapter to the blower vent using three 8-18 x 3/8" screws. Seal the connection with aluminum foil tape.
  4. Remove three felt pads from the gasket strip.
  5. Remove the paper backing from the felt pads and apply the bottom of a blower motor tabs.
- NOTE:** Felt pads reduce motor noise and aid in mounting to uneven floors.
6. Position the blower motor in the cabinet opening so that the blower exhaust venting aligns with the vent hole cut in Step 2.

**IMPORTANT:** Make sure the blower motor is positioned within the area as shown on the template.



7. Connect the house vent system to the blower outlet adapter using a vent clamp; then wrap connection with aluminum tape.
8. Drill three 1/8" (3 mm) pilot holes using the blower motor tabs as guides.
9. Remove the template.
10. Mount the blower motor to the floor with three #10 x 1" screws provided.



Top View

11. Go to the "Make Gas Connection" section.

## Make Gas Connection

### **⚠ WARNING**



#### Explosion Hazard

Use a new CSA International approved gas supply line.

Install a shut-off valve.

Securely tighten all gas connections.

If connected to LP, have a qualified person make sure gas pressure does not exceed 14" (36 cm) water column.

Examples of a qualified person include:

licensed heating personnel,  
authorized gas company personnel, and  
authorized service personnel.

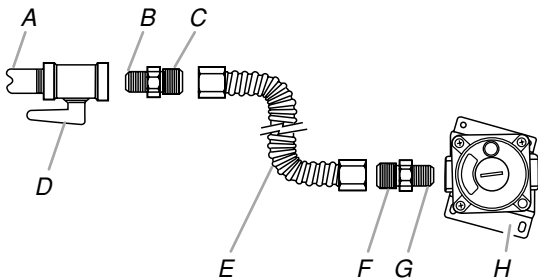
Failure to do so can result in death, explosion, or fire.

This range is factory-set for use with Natural gas. To use this range with LP gas, see the "Gas Conversions" section before connecting this range to the gas supply. Gas conversions from Natural gas to LP gas or from LP gas to Natural gas must be done by a qualified installer.

#### Typical Flexible Connection

1. Apply pipe-joint compound made for use with LP gas to the smaller thread ends of the flexible connector adapters. See B and G in the following illustration.
2. Attach one adapter to the gas pressure regulator and the other adapter to the gas shut-off valve. Tighten both adapters, being certain not to move or turn the gas pressure regulator.
3. Use a  $1\frac{5}{16}$ " (2.4 cm) combination wrench and an adjustable wrench to attach the flexible connector to the adapters.

**IMPORTANT:** All connections must be wrench-tightened. Do not make connections to the gas regulator too tight. Making the connections too tight may crack the regulator and cause a gas leak. Do not allow the regulator to turn when tightening fittings.

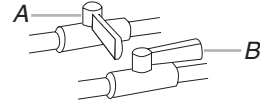


- A.  $\frac{1}{2}$ " (1.3 cm) or  $\frac{3}{4}$ " (1.9 cm) gas pipe  
 B. Use pipe-joint compound.  
 C. Adapter  
 D. Manual gas shut-off valve

- E. Flexible connector  
 F. Adapter (must have  $\frac{1}{2}$ " [1.3 cm] male pipe thread)  
 G. Use pipe-joint compound.  
 H. Gas pressure regulator

#### Complete Connection

1. Open the manual shut-off valve in the gas supply line. The valve is open when the handle is parallel to the gas pipe.

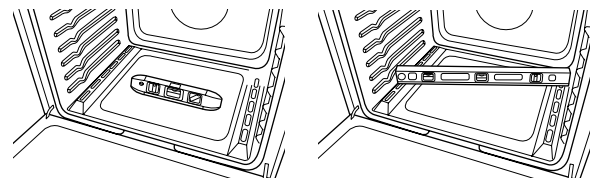


- A. Closed valve  
 B. Open valve

2. Test all connections by brushing on an approved noncorrosive leak-detection solution. If bubbles appear, a leak is indicated. Correct any leak found.

#### Level Range

1. Place level on the oven bottom, as indicated in one of the two figures below, depending on the size of the level. Check with the level side to side and front to back.



2. If range is not level, use a wrench or pliers to adjust leveling legs up or down until the range is level.

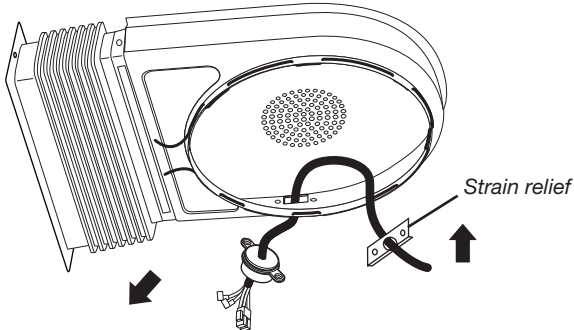
**NOTE:** Range must be level for satisfactory baking performance and best cleaning results using AquaLift® Self-Clean Technology.



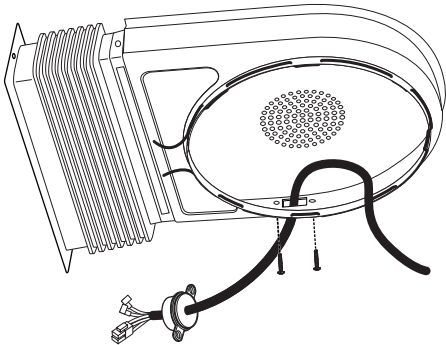
## Install Blower

### Install Blower Cover

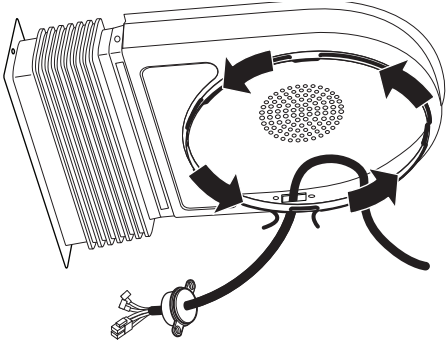
1. Locate blower motor cover.
2. Run the blower motor wires with strain relief through the small opening in the blower motor cover, starting from the inside and feeding out.



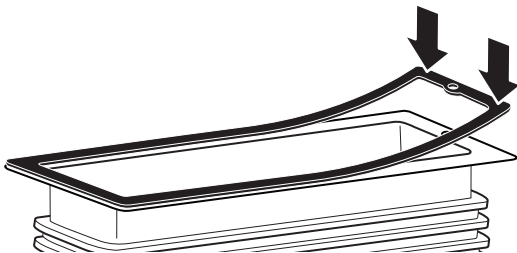
3. Feed blower motor wire through opening and place the strain relief bracket to the inside of the blower cover. Install and tighten the two (2) provided #8-18 x 3/8" screws to secure the strain relief bracket.



4. Reposition the blower motor cover retainer spring as illustrated.

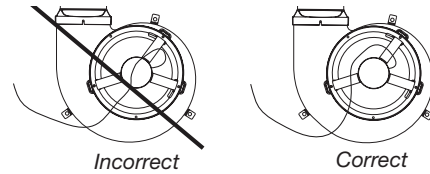


5. Remove paper from the rear of the rectangular felt pad and apply adhesive side of felt to the bellow flange.  
**NOTE:** This step is important to ensure maximum blower performance.

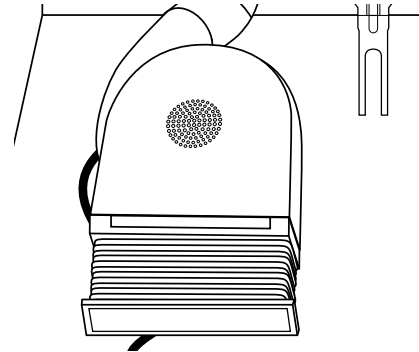


6. Apply blower motor cover to the blower. Slightly spread the cover retainer spring to allow the cover to drop into position on the blower motor.

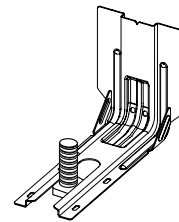
**NOTE:** The blower motor cover will not properly install if the motor wire is on the top of the motor.



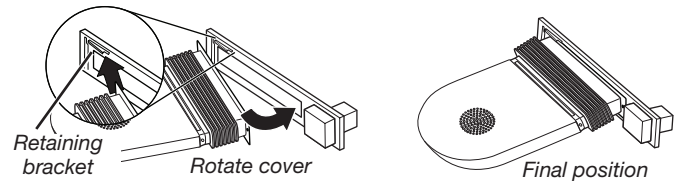
7. Rotate blower motor cover so the bellows are facing towards the front of the installation.



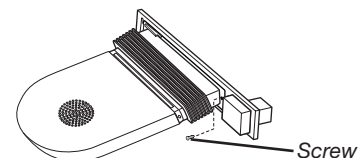
8. Move blower motor wire to the front of the installation.
9. Remove the cardboard or hardboard from under the range.
10. Remove the front lower access panel of the range by gently lifting on the panel then pull outward.
11. Using 2 or more people, gently move the range into its final location.
12. Check to ensure the flexible metal gas connector and electrical cord are not kinked. Use a flashlight to look underneath the bottom of and behind the range.
13. Verify that the anti-tip bracket is installed and engaged.
  - a. Use a flashlight to look underneath the bottom of and behind the range.
  - b. Visually check that the rear range foot is inserted into the slot of the anti-tip bracket.



14. Rotate blower motor cover so the bellows are in their final position. Ensure the rear of the bellow flange is engaged in the retaining bracket.



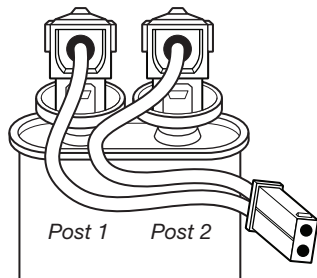
15. Secure the front of the blower bellow flange to the range frame with the supplied #8-18 x 3/8" screw.



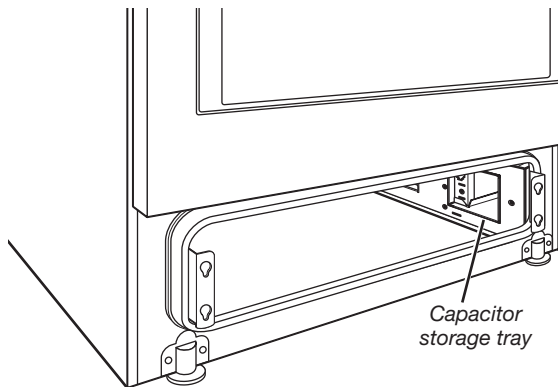
## Connect Blower Electrical Parts

1. Locate the capacitor (in Blower Motor Kit).

**NOTE:** The capacitor is supplied with a small harness that terminates in a two-pin connector as shown.

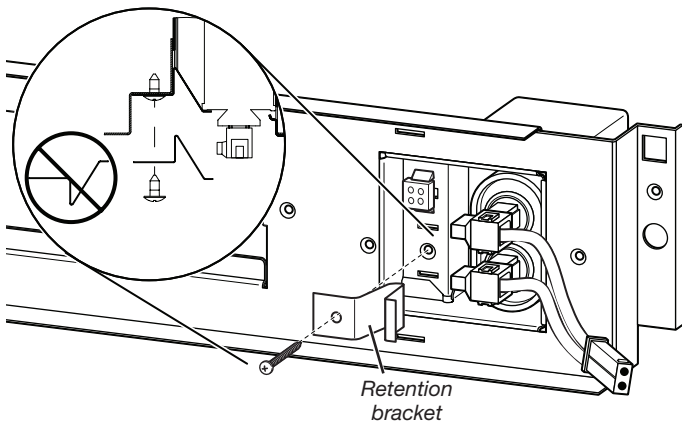


2. Locate the capacitor storage tray in front of the blower bellow connection point in the lower right side of the range.

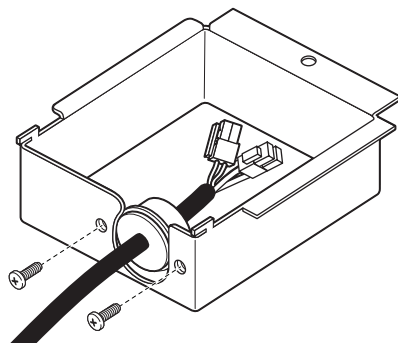


3. Place capacitor in tray.

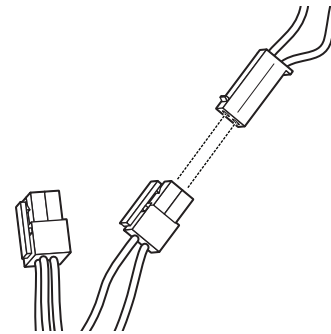
4. Secure the capacitor with the capacitor retention bracket, then install the bracket screw.



5. Secure the blower motor strain relief, near the quick connection end, to the blower electrical terminal cover with the two provided screws.

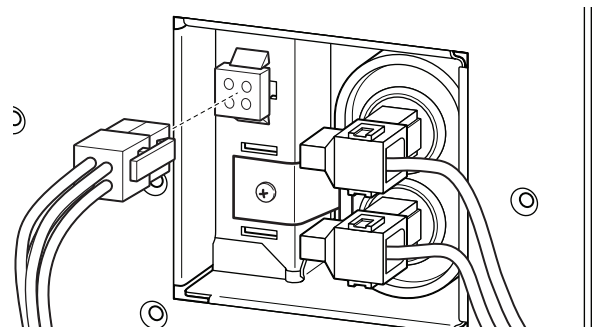


6. Locate the two-pin connector on the blower motor wire harness and connect it to the two-pin capacitor connector.



7. Locate the 4-pin connector on the blower motor wire and plug it into the terminal connection point directly behind the capacitor storage tray.

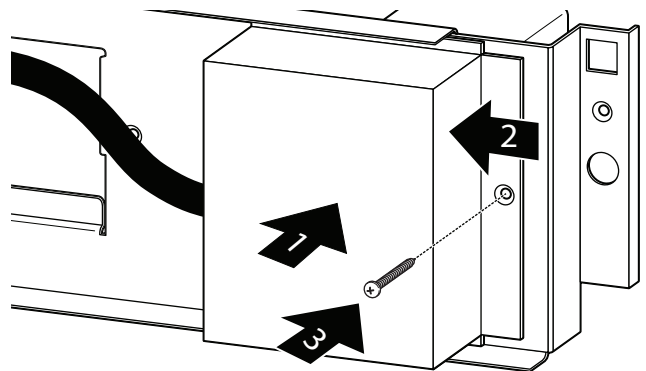
**NOTE:** The terminal release (clip point) will be facing toward the front of the range.



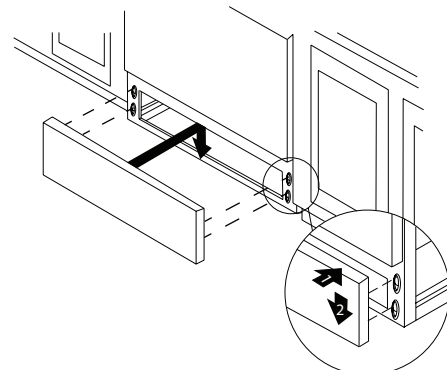
8. Install blower electrical terminal cover.

**NOTE:** When replacing cover, insert the terminal cover tabs in the corresponding slots in the range, and push the terminal cover rearward to engage.

9. Install terminal cover screw.



10. Replace the access panel by aligning the studs with the keyhole slots on the range. Press the access panel forward into the slots and push downward to engage the studs.



11. Reconnect power.

## Adjust Leveling Legs

1. If range height adjustment is necessary, use a wrench or pliers to loosen the 4 leveling legs. This may be done with the range on its back or with the range supported on 2 legs after the range has been placed back to a standing position.

**NOTE:** To place range back up into a standing position, put a sheet of cardboard or hardboard in front of range. Using 2 or more people, stand range back up onto the cardboard or hardboard.

### **WARNING**



#### **Tip Over Hazard**

**A child or adult can tip the range and be killed.**

**Install anti-tip bracket to floor or wall per installation instructions.**

**Slide range back so rear range foot is engaged in the slot of the anti-tip bracket.**

**Re-engage anti-tip bracket if range is moved.**

**Do not operate range without anti-tip bracket installed and engaged.**

**Failure to follow these instructions can result in death or serious burns to children and adults.**

2. Measure the distance from the top of the counter to the floor.
3. Measure the distance from the top of the cooktop to the bottom of the leveling legs. This distance should be the same. If it is not, adjust the leveling legs to the correct height. The leveling legs can be loosened to add up to a maximum of 1" (2.5 cm). A minimum of  $\frac{3}{16}$ " (5 mm) is needed to engage the anti-tip bracket.

**NOTE:** If height adjustment is made when range is standing, tilt the range back to adjust the front legs, and then tilt forward to adjust the rear legs.
4. When the range is at the correct height, check that there is adequate clearance under the range for the anti-tip bracket. Before sliding range into its final location, check that the anti-tip bracket will slide under the range and onto the rear leveling leg prior to anti-tip bracket installation.

**NOTE:** If a Trim Kit will be used, the top of the cooktop should be higher than the counter. See the Installation Instructions included with the Trim Kit for the correct height.

## Verify Anti-Tip Bracket Is Installed and Engaged

1. Ensure range is in its final location.
2. Remove the front lower access panel.
3. Use a flashlight to look underneath the bottom of the range.
4. Visually check that the rear range foot is inserted into the slot of the anti-tip bracket.
5. Replace the front lower access panel.

**IMPORTANT:** If the range is moved to adjust the leveling legs, verify that the anti-tip bracket is engaged by repeating steps 1 to 5.

## Electronic Ignition System

### Initial Lighting and Gas Flame Adjustments

Cooktop and oven burners use electronic igniters in place of standing pilots. When the cooktop control knob is turned to the ignite position, the system creates a spark to light the burner. All cooktop burners will spark, but only the burner with the control knob turned to the ignite position will produce a flame. This sparking continues as long as the control knob is turned to the ignite position.

When the oven control is turned to the desired setting, sparking occurs and ignites the gas.

### Check Operation of Cooktop Burners

#### Standard Surface Burners

Push in and turn each control knob to the ignite position.

The flame should light within 4 seconds. The first time a burner is lit, it may take longer than 4 seconds to light because of air in the gas line.

#### If Burners Do Not Light Properly:

- Turn cooktop control knob to the off position.
- Check that the range is plugged into a grounded 3-prong outlet. Check that the circuit breaker has not tripped or the household fuse has not blown.
- Check that the gas shut-off valves are set to the open position.
- Check that burner caps are properly positioned on burner bases.

Repeat start-up. If a burner does not light at this point, turn the control knobs to the off position and contact your dealer or authorized service company for assistance. Please reference the "Warranty" section of the Use and Care Guide to contact service.

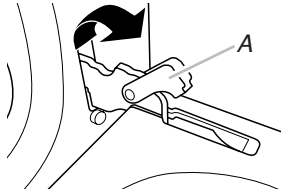
If the cooktop "low" burner flame needs to be adjusted for any of the burners, see the "Adjust Flame Height" section.

## Oven Door

For normal range use, it is not suggested to remove the oven door. However, if removal is necessary, make sure the oven is off and cool. Then follow these instructions. **NOTE:** The oven door is heavy.

### To Remove:

1. Open oven door all the way.
2. Pinch the hinge latch between two fingers and pull forward. Repeat on other side of oven door.



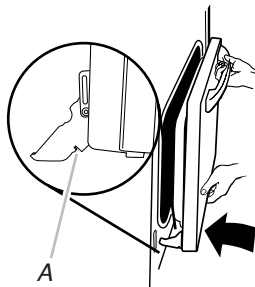
A. Hinge latch

3. Close the oven door as far as it will shut.
4. Lift the oven door while holding both sides. Continue to push the oven door closed and pull it away from the oven door frame.



### To Replace:

1. Insert both hanger arms into the door. Be sure that the hinge notches are engaged in the oven door frame.

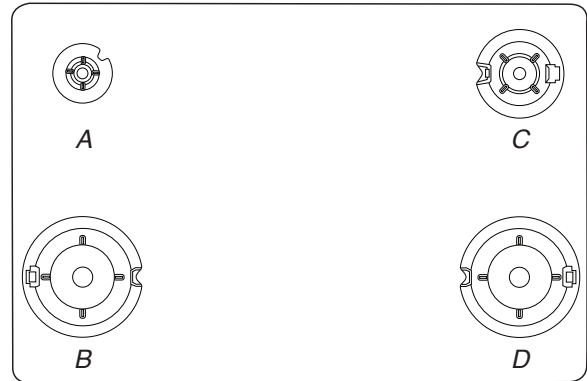


A. Hinge notch

3. Open the oven door. The door should be able to open all the way.
4. Move the hinge levers back to the locked position. Check that the door is free to open and close and is level while closed. If it is not, repeat the removal and installation procedures.

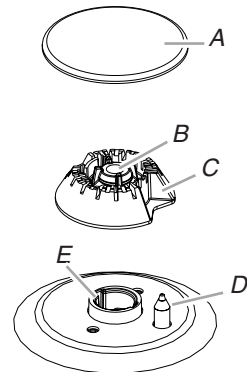
## Complete Installation

1. Remove cooktop burner caps and bases from package containing parts. Place the burner bases as indicated by the following illustration:



A. Small      C. Medium  
B. Large      D. Large

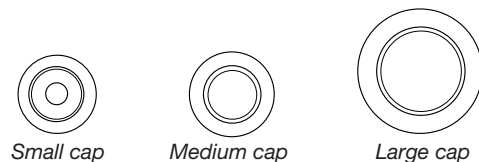
2. Align the gas tube opening in the burner base with the orifice holder on the cooktop and the igniter electrode with the notch in the burner base.



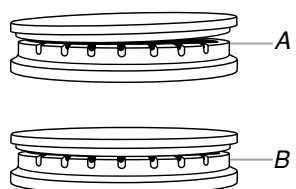
A. Burner cap      D. Igniter electrode  
B. Gas tube opening      E. Orifice holder  
C. Burner base

3. Place the burner caps on the appropriate burner bases.

**IMPORTANT:** The bottom of the small and medium caps are different. Do not put the wrong size burner cap on the burner base.



Burner caps should be level when properly positioned. If burner caps are not properly positioned, surface burners will not light. The burner cap should not rock or wobble when properly aligned.



A. Incorrect  
B. Correct

4. Place burner grates over burners and caps.
5. Plug into grounded outlet. See the appropriate “Electrical Requirements” section.
6. Check that all parts are now installed. If there is an extra part, go back through the steps to see which step was skipped.
7. Check that you have all of your tools.
8. Check that you have all of the range accessories, especially oven racks. These accessories may be in the range packaging.
9. Dispose of/recycle all packaging materials.
10. Check that the range is level. See the “Level Range” section.
11. Use a mild solution of liquid household cleaner and warm water to remove waxy residue caused by shipping material. Dry thoroughly with a soft cloth. For more information, see the “Range Care” section of the Use and Care Guide.
12. Read the Use and Care Guide.
13. Turn on surface burners and oven. See the Use and Care Guide for instructions on range operation.

**NOTE:** Odors and smoke are normal when the oven is used the first few times.

#### If Range Does Not Operate, Check the Following:

- Household fuse is intact and tight, or circuit breaker has not tripped.
- Gas pressure regulator shut-off valve is in the open position.
- Range is plugged into a grounded outlet.
- Electrical supply is connected.

**IMPORTANT:** If the range control displays an “F9” or “F9, E0” error code, the electrical outlet in the home may be miswired. Disconnect power and contact a qualified electrician to verify the electrical supply.

14. When the range has been on for 5 minutes, check for heat. If the range is cold, turn off the range and check that the gas supply line shut-off valve is open.
  - If the gas supply line shut-off valve is closed, open it, and then repeat the 5-minute test as outlined above.
  - If the gas supply line shut-off valve is open, close it, and contact a qualified technician.

#### If You Need Assistance or Service:

Please reference the “Warranty” section of the Use and Care Guide to contact service.

# GAS CONVERSIONS

Gas conversions from Natural gas to LP gas or from LP gas to Natural gas must be done by a qualified installer.

## ⚠️ WARNING



### Explosion Hazard

Use a new CSA International approved gas supply line.

Install a shut-off valve.

Securely tighten all gas connections.

If connected to LP, have a qualified person make sure gas pressure does not exceed 14" (36 cm) water column.

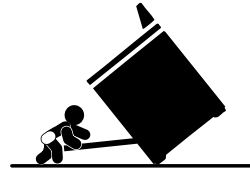
Examples of a qualified person include:

licensed heating personnel, authorized gas company personnel, and authorized service personnel.

Failure to do so can result in death, explosion, or fire.

## LP Gas Conversion

## ⚠️ WARNING



### Tip Over Hazard

A child or adult can tip the range and be killed.

Install anti-tip bracket to floor or wall per installation instructions.

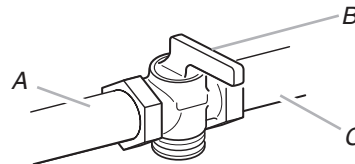
Slide range back so rear range foot is engaged in the slot of the anti-tip bracket.

Re-engage anti-tip bracket if range is moved.

Do not operate range without anti-tip bracket installed and engaged.

Failure to follow these instructions can result in death or serious burns to children and adults.

1. Turn manual shut-off valve to the closed position.

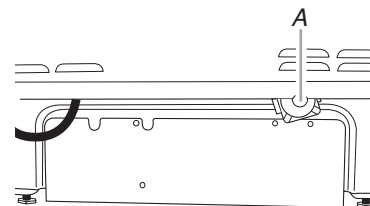


- A. To range
- B. Shut-off valve (closed position)
- C. Gas supply line

2. Unplug range or disconnect power.

## To Convert Gas Pressure Regulator (Natural Gas to LP Gas)

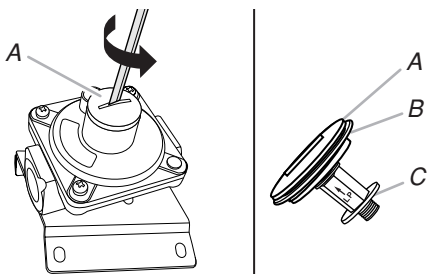
1. Move the range out from the wall.
2. Locate the gas pressure regulator at the lower right corner on the back of the range.



A. Gas pressure regulator

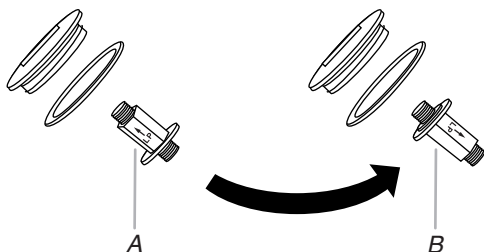
- IMPORTANT:** Do not remove the gas pressure regulator.
3. Remove the front lower panel of the range.
  4. Disconnect the blower motor electrical connections.
  5. Disconnect the downdraft blower bellows from the range.

- Unscrew the metal cover and unscrew the blue regulator cap. Keep the washer in place.



A. Metal cover  
B. Washer  
C. Blue regulator cap

- Flip the blue regulator cap over and screw it back into the metal cover.

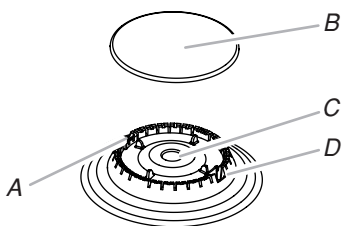


A. Natural gas position  
B. LP gas position

- Screw the metal cover securely back into place. Do not overtighten.

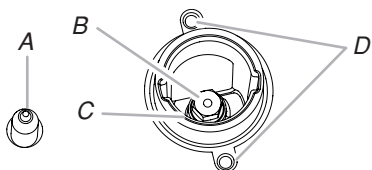
### To Convert Surface Burners (Natural Gas to LP Gas)

- If installed, remove the burner grates.
- Remove the burner caps.
- Remove the burner base.



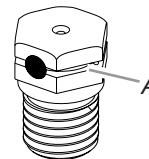
A. Igniter electrode  
B. Burner cap  
C. Gas tube opening  
D. Burner base

- Apply masking tape to the end of a  $\frac{9}{32}$ " (7 mm) nut driver to help hold the gas orifice spud in the nut driver while changing it. Press nut driver down onto the gas orifice spud and remove by turning it counterclockwise and lifting out. Set gas orifice spud aside.



A. Igniter electrode  
B. Orifice spud  
C. Orifice spud holder  
D. Screws

- Remove the orifice spuds shipped in the literature package in the oven. Gas orifice spuds are stamped with a number, marked with 1 or 2 color dots, and have a groove in the hex area. Replace the Natural gas orifice spud with the correct LP gas orifice spud.



A. LP groove

Refer to the following chart for correct LP gas orifice spud ratings and to spud holder card for proper placement.

### LP Gas Orifice Spud Chart for Surface Burners

Burner Rating/Type	Color	Size (mm)	ID Number	Placement
15,000 BTU/ Stacked*	Silver	1.05	L105	LF
	Black/	0.32	L32	
	Orange			
14,200 BTU/ Ultra/ Stacked*	Silver	1.05	L105	LF/RF
8,000 BTU/ Semi	Red/ Orange	0.85	L85	RR/CTR
5,000 BTU/ Auxiliary	Red/ Blue	0.65	L65	LR
1,200 BTU/ Stacked/ Simmer*	Black/ Orange	0.32	L32	LF (Simmer)

\*Not in all kits/models.

**NOTE:** Refer to the model/serial/rating plate located on the oven frame behind the top right-hand side of the oven door for proper sizing of spuds for each burner location.

- Place Natural gas orifice spuds in the orifice spud bag.
 

**IMPORTANT:** Keep the Natural gas orifice spuds in case of reinstallation with Natural gas.
- Replace the burner base.
- Replace burner cap.
- Repeat steps 1 to 7 for the remaining burners.

### Complete Installation (Natural Gas to LP Gas)

- Refer to the "Make Gas Connection" section for proper connection of the range to the gas supply.
- Refer to the "Electronic Ignition System" section for proper burner ignition and operation.
- Refer to the "Adjust Flame Height" section for burner flame adjustments.
 

**IMPORTANT:** You may have to adjust the low setting for each cooktop burner.

Checking for proper cooktop burner flame is very important. Natural gas flames do not have yellow tips.
- Refer to "Complete Installation" in the "Installation Instructions" section of this manual to complete this procedure.

**IMPORTANT:** Make sure to save the orifices that have just been replaced in the conversion.

## Natural Gas Conversion

### **! WARNING**



#### Tip Over Hazard

**A child or adult can tip the range and be killed.**

**Install anti-tip bracket to floor or wall per installation instructions.**

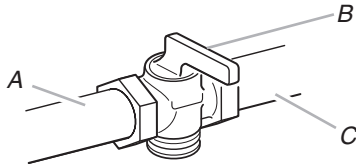
**Slide range back so rear range foot is engaged in the slot of the anti-tip bracket.**

**Re-engage anti-tip bracket if range is moved.**

**Do not operate range without anti-tip bracket installed and engaged.**

**Failure to follow these instructions can result in death or serious burns to children and adults.**

1. Turn manual shut-off valve to the closed position.

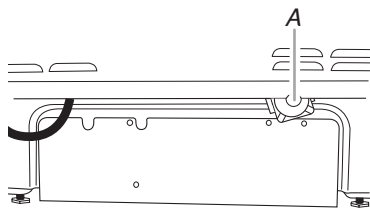


A. To range  
B. Shut-off valve (closed position)  
C. Gas supply line

2. Unplug range or disconnect power.

### To Convert Gas Pressure Regulator (LP Gas to Natural Gas)

1. Move the range out from the wall.
2. Locate the gas pressure regulator at the lower right corner on the back of the range.

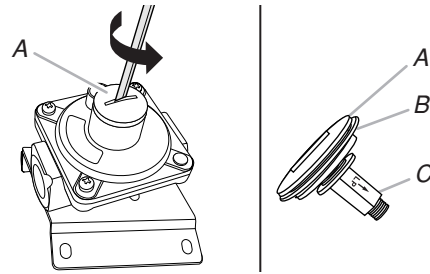


A. Gas pressure regulator

**IMPORTANT:** Do not remove the gas pressure regulator.

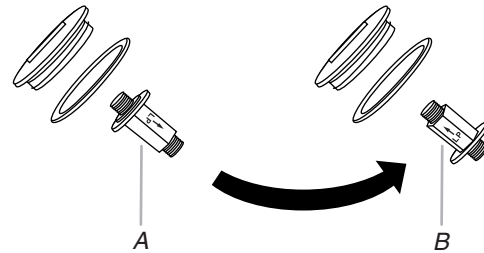
3. Remove the front lower panel of the range.
4. Disconnect the blower motor electrical connections.
5. Disconnect the downdraft blower bellows from the range.

6. Unscrew the metal cover and unscrew the blue regulator cap. Keep the washer in place.



A. Metal cover  
B. Washer  
C. Blue regulator cap

7. Flip the blue regulator cap over and screw it back into the metal cover.

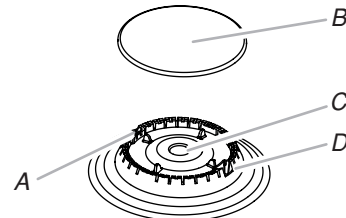


A. LP gas position  
B. Natural gas position

8. Screw the metal cover securely back into place. Do not overtighten.

### To Convert Surface Burners (LP Gas to Natural Gas)

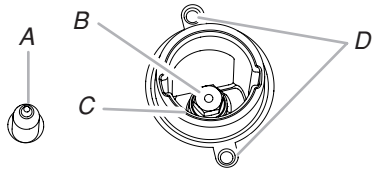
1. If they are installed, remove the burner grates.
2. Remove the burner caps.
3. Remove the burner base.



A. Igniter electrode  
B. Burner cap  
C. Gas tube opening  
D. Burner base

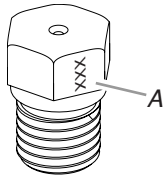


- Apply masking tape to the end of a  $\frac{1}{32}$ " (7 mm) nut driver to help hold the gas orifice spud in the nut driver while changing it. Press nut driver down onto the gas orifice spud and remove by turning it counterclockwise and lifting out. Set gas orifice spud aside.



A. Igniter electrode  
 B. Orifice spud  
 C. Orifice spud holder  
 D. Screws

- Gas orifice spuds are stamped with a number on the side. Replace the LP gas orifice spud with the correct Natural gas orifice spud.



A. Stamped number

Refer to the following chart for the correct Natural gas orifice spud placement.

#### Natural Gas Orifice Spud Chart

Burner Rating	Color	Size (mm)	ID Number
19,000 BTU (ST)	White/Gray	1.84	184
17,000 BTU (ST)	N/A	1.75	175
17,000 BTU	White/Blue	1.90	190
15,000 BTU	White/Green	1.80	180
9,200 BTU	White/Black	1.35	135
8,000 BTU	White/Yellow	1.25	125
5,000 BTU	White/Orange	1.00	100
1,200 BTU	Black	0.52	52

**NOTE:** Refer to the model/serial/rating plate located on the oven frame behind the top right-hand side of the oven door for proper sizing of spuds for each burner location.

- Place LP gas orifice spuds in the orifice spud bag.  
**IMPORTANT:** Keep the LP gas orifice spuds in case of reinstallation with LP gas.
- Replace the burner base.
- Replace the burner cap.
- Repeat steps 1 to 7 for the remaining burners.

#### Complete Installation (LP Gas to Natural Gas)

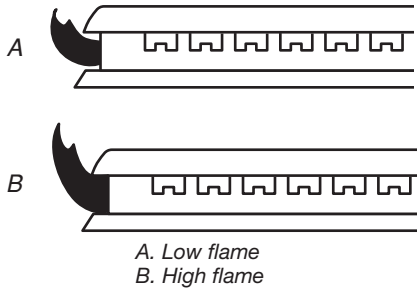
- Refer to the "Make Gas Connection" section for proper connection of the range to the gas supply.
- Refer to the "Electronic Ignition System" section for proper burner ignition and operation.
- Refer to the "Adjust Flame Height" section for burner flame adjustments.  
**IMPORTANT:** You may have to adjust the low setting for each cooktop burner.  
 Checking for proper cooktop burner flame is very important. Natural gas flames do not have yellow tips.
- Refer to "Complete Installation" in the "Installation Instructions" section of this manual to complete this procedure.

**IMPORTANT:** Make sure to save the orifices that have just been replaced in the conversion.

## Adjust Flame Height

### Adjust Surface Burner Flame

Adjust the height of top burner flames. The cooktop “low” burner flame should be a steady blue flame approximately ¼" (6 mm) high. LP gas flames have a slightly yellow tip.



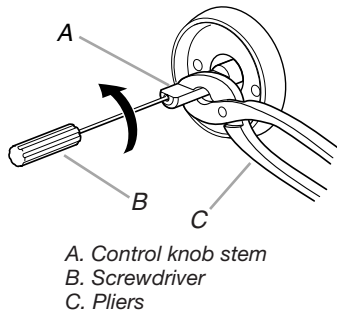
### To Adjust Standard Burner:

The flame can be adjusted using the adjustment screw in the center of the valve stem. The valve stem is located directly underneath the control knob.

#### If the “Low” Flame Needs to be Adjusted:

1. Light one burner and turn to lowest setting.
2. Remove the control knob.

Hold the knob stem with a pair of pliers. Use a small flat-blade screwdriver to turn the screw located in the center of the control knob stem until the flame is the proper size. Turning the screw clockwise will increase the flame size, and turning the screw counterclockwise will decrease the flame size.

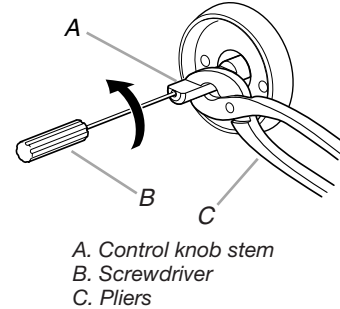


3. Replace the control knob.
4. Test the flame by turning the control from the low position to the high position, checking the flame at each setting.
5. Repeat the previous steps for each burner.

### To Adjust Double Burner (On Some Models):

1. Light burner and turn to lowest setting where both inner and outer burners are lit.
2. Remove the control knob.

Hold the knob stem with a pair of pliers. Use a small flat-blade screwdriver to turn the screw located in the center of the control knob stem until the flame is the proper size. Turning the screw clockwise will increase the flame size, and turning the screw counterclockwise will decrease the flame size.



3. Replace the control knob.
4. Test the flame by turning the control from the low position to the high position, checking the flame at each setting.

# SÉCURITÉ DE LA CUISINIÈRE

## Votre sécurité et celle des autres est très importante.

Nous donnons de nombreux messages de sécurité importants dans ce manuel et sur votre appareil ménager. Assurez-vous de toujours lire tous les messages de sécurité et de vous y conformer.



Voici le symbole d'alerte de sécurité.

Ce symbole d'alerte de sécurité vous signale les dangers potentiels de décès et de blessures graves à vous et à d'autres.

Tous les messages de sécurité suivront le symbole d'alerte de sécurité et le mot "DANGER" ou "AVERTISSEMENT". Ces mots signifient :

**⚠ DANGER**

Risque possible de décès ou de blessure grave si vous ne suivez pas immédiatement les instructions.

**⚠ AVERTISSEMENT**

Risque possible de décès ou de blessure grave si vous ne suivez pas les instructions.

Tous les messages de sécurité vous diront quel est le danger potentiel et vous disent comment réduire le risque de blessure et ce qui peut se produire en cas de non-respect des instructions.

**AVERTISSEMENT : Pour votre sécurité, les renseignements dans ce manuel doivent être observés pour réduire au minimum les risques d'incendie ou d'explosion ou pour éviter des dommages au produit, des blessures ou un décès.**

- Ne pas entreposer ou utiliser de l'essence ou d'autres vapeurs ou liquides inflammables à proximité de cet appareil ou de tout autre appareil électroménager.
- QUE FAIRE DANS LE CAS D'UNE ODEUR DE GAZ :
  - Ne pas tenter d'allumer un appareil.
  - Ne pas toucher à un commutateur électrique; ne pas utiliser le téléphone se trouvant sur les lieux.
  - Évacuer tous les gens de la pièce, de l'édifice ou du quartier.
  - Appeler immédiatement le fournisseur de gaz d'un téléphone voisin. Suivre ses instructions.
  - À défaut de joindre votre fournisseur de gaz, appeler les pompiers.
- L'installation et l'entretien doivent être effectués par un installateur qualifié, une agence de service ou le fournisseur de gaz.

**AVERTISSEMENT :** L'odorat ne permet pas toujours la détection d'une fuite de gaz.

Les distributeurs de gaz recommandent l'emploi d'un détecteur de gaz (homologation UL ou CSA).

Pour d'autre information, contacter le fournisseur de gaz local.

En cas de détection d'une fuite de gaz, exécuter les instructions "Que faire dans le cas d'une odeur de gaz".

**IMPORTANT :** Ne pas installer un système de ventilation avec évacuation de l'air vers le bas, qui évacuerait l'air vers cet appareil de cuisson à gaz. Ce type de système de ventilation peut causer des problèmes d'allumage et de combustion avec cet appareil de cuisson à gaz et entraîner des blessures corporelles ou le fonctionnement non désiré de cet appareil.

Dans l'État du Massachusetts, les instructions d'installation suivantes sont applicables :

- Les travaux d'installation et réparation doivent être exécutés par un plombier ou tuyauteur qualifié ou licencié, ou par le personnel qualifié d'une entreprise licenciée par l'État du Massachusetts.
- Si une vanne à boisseau sphérique est utilisée, elle doit comporter une manette "T".
- Si un conduit de raccordement flexible est utilisé, sa longueur ne doit pas dépasser 3 pi.

## **⚠ AVERTISSEMENT**

### **Risque de basculement**

**Un enfant ou une personne adulte peut faire basculer la cuisinière, ce qui peut causer un décès.**

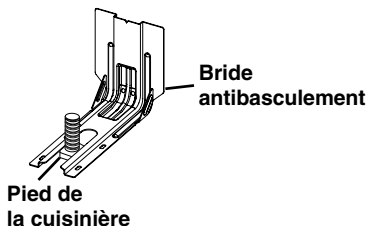
**Fixer la bride antibasculement au plancher ou au mur, conformément aux instructions d'installation.**

**Faire glisser de nouveau la cuisinière de façon à ce que le pied arrière de la cuisinière se trouve dans la fente de la bride antibasculement.**

**Réengager la bride antibasculement si la cuisinière a été déplacée.**

**Ne pas faire fonctionner la cuisinière si la bride antibasculement n'est pas installée et engagée.**

**Le non-respect de ces instructions peut causer un décès ou des brûlures graves aux enfants et aux adultes.**



**Pour vérifier que la bride antibasculement est bien installée et engagée :**

- **Faire glisser la cuisinière vers l'avant.**
- **Vérifier que la bride antibasculement est bien fixée au plancher ou au mur.**
- **Faire de nouveau glisser la cuisinière vers l'arrière de sorte que le pied de la cuisinière se trouve sous la bride antibasculement.**
- **Voir les instructions d'installation pour plus de détails.**

# EXIGENCES D'INSTALLATION

## Outillage et pièces

Rassembler les outils et pièces nécessaires avant d'entreprendre l'installation. Lire et observer les instructions fournies avec chacun des outils de la liste ci-dessous.

### Outils nécessaires

- Mètre-ruban
  - Tournevis Phillips
  - Tournevis à lame plate
  - Tournevis à lame plate de 1/8" (3 mm)
  - Niveau
  - Perceuse
  - Clef à molette
  - Pincés
  - Clé à tuyauterie
  - Clé mixte de 15/16" (2,4 cm)
  - Foret de 1/8" (3,2 mm) (pour plancher de bois)
  - Crayon ou marqueur
  - Scie pour trou de 5/2" (conduit rond)
  - Scie pour évent rectangulaire de 3 1/4" x 10"
  - Douille à pointe carrée n° 2
  - Lampe de poche
  - Ruban adhésif de masquage
  - Composé d'étanchéité des raccords filetés – résistant au gaz naturel et gaz propane
  - Foret à maçonnerie à pointe carburée de 3/16" (4,8 mm) (pour planchers en béton/céramique)
  - Solution non corrosive de détection des fuites
  - Ruban aluminium à tôle
- Pour la conversion pour l'alimentation au gaz propane/gaz naturel**
- Clé mixte de 1/2" (13 mm)
  - Tourne-écrou 1/4" (6 mm)
  - Tourne-écrou 9/32" (7 mm)

### Pièces fournies

Vérifier que toutes les pièces sont présentes.

- Ensemble de conversion au gaz propane/naturel (modèles à double combustible uniquement)
- Gabarit pour le montage du ventilateur/conduit d'évacuation
- Filtre à graisses (emballé en place)
- Grilles du four (3)
- Trousse du moteur de ventilateur (sous l'appareil)
- Trousse du couvercle de moteur (dans la cavité)
- Écrous hexagonaux de 10-32 (fixés au bornier) (3)
- Cosses pour câblage direct (3)
- Vis n°12 x 1 5/8" (4,1 cm) (pour le montage de la bride antibasculement) (2)
- Bride antibasculement (à l'intérieur de la cavité du four)

La bride antibasculement doit être solidement fixée à la cloison arrière ou au plancher. La profondeur du plancher peut nécessiter des vis plus longues pour l'ancrage de la bride dans le sous-plancher. Des vis plus longues sont disponibles auprès de votre quincaillerie locale.

### Pièces nécessaires

- Utiliser un clapet de conduit approuvé pour que le rendement soit correct. Si une bouche de décharge de toit ou murale est utilisée, s'assurer que ses dimensions ne sont pas plus petites et qu'elle est équipée d'un clapet anti-retour.
  - Après avoir déterminé le type d'installation de ventilation, l'une ou l'autre des pièces suivantes est requise :
    - Clapet de décharge en surface rond 5" (12,7 cm) – Référence de commande A405.
    - Clapet de décharge en surface rond 6" (15,2 cm) – Référence de commande A406.
- REMARQUE :** Si vous utilisez un conduit d'évacuation rond de 6" (15,2 cm), vous aurez besoin d'un raccord d'évacuation rond de 5" (12,7 cm) vers 6" (15,2 cm).
- Clapet de décharge murale en surface 3 1/4" x 10" (8,3 x 25,4 cm) – Référence de commande A403.

Pour commander, voir la section "Assistance ou service" du Guide d'utilisation et d'entretien :

- Conduit métallique
- Bride de fixation
- Papier d'aluminium, ruban

Consulter les codes locaux en vigueur et le fournisseur de gaz. Déterminer les caractéristiques des sources disponibles d'électricité et gaz. Voir la section "Spécifications électriques" et "Spécifications de l'alimentation en gaz" correspondante.

Il est recommandé de faire réaliser tous les raccordements électriques par un électricien qualifié agréé.

### Pièces facultatives

Pour acheter ces accessoires ou d'autres, se reporter à la section "Accessoires" du guide d'utilisation et d'entretien pour les informations de contact.

- **Trousse de garnitures latérales :**
  - 5/8" (1,7 cm) – Commander la pièce numéro W10675026
  - 5/8" (1,7 cm) Acier inoxydable – Commander la pièce numéro W10675028
  - 1 1/8" (2,9 cm) Noir – Commander la pièce numéro W10731886
  - 1 1/8" (2,9 cm) Acier inoxydable – Commander la pièce numéro W10731887
- **Panneaux anti-éclaboussures :**
  - Hauteur 6" (15,2 cm) Noir : Commander la pièce numéro W10655449
  - Hauteur 6" (15,2 cm) Acier inoxydable : Commander la pièce numéro W10655450

## Exigences d'emplacement

**IMPORTANT :** Observer les dispositions de tous les codes et règlements en vigueur. Ne pas obstruer le flux de combustion et de ventilation.

- C'est à l'installateur qu'incombe la responsabilité de respecter les distances de séparation spécifiées sur la plaque signalétique. La plaque signalétique se trouve derrière la porte du four, dans le coin supérieur droit du châssis.
- La cuisinière doit être installée à un endroit pratique dans la cuisine.
- Dans le cas d'une cuisinière encastrée, l'enceinte doit recouvrir complètement les côtés et l'arrière de la cuisinière.
- Afin de supprimer le risque de brûlures ou d'incendie lié au fait de se pencher au-dessus des plaques de cuisson chaudes, les placards de rangement au-dessus des plaques doivent être évités. Si des placards de rangement sont prévus, le risque peut être réduit par l'installation d'une hotte de cuisinière ou d'un ensemble hotte/micro-ondes dépassant horizontalement de 5" (12,7 cm) au moins par rapport au bas des placards.
- Toutes les ouvertures dans le mur ou le plancher de l'emplacement d'installation de la cuisinière doivent être scellées.
- Respecter les dimensions indiquées pour les ouvertures à découper dans les meubles. Ces dimensions constituent les valeurs minimales des dégagements.
- La bride antibasculement doit être installée. Pour l'installation de la bride antibasculement fournie avec la cuisinière, voir la section "Installation de la bride antibasculement".
- Une source d'électricité avec liaison à la terre est nécessaire. Voir la section "Spécifications électriques" correspondante.
- Un raccordement adéquat à l'alimentation en gaz doit être disponible. Voir la section "Spécifications de l'alimentation en gaz".
- Contacter un installateur de revêtement de sol qualifié, qui pourra déterminer si le revêtement de sol peut résister à une température d'au moins 200°F (93°C).
- Dans le cas de l'installation de la cuisinière sur une moquette, placer sous la cuisinière un tapis isolant ou une plaque de contreplaqué de ¼" (0,64 cm).

**IMPORTANT :** Afin d'éviter d'endommager les placards, consulter l'installateur ou le fabricant des placards pour déterminer si les matériaux utilisés peuvent subir une décoloration, une déstratification ou d'autres dommages. Ce four a été conçu conformément aux exigences des normes UL et CSA International et respecte les températures maximales permises de 194°F (90°C) pour les placards en bois.

### Résidence mobile – Spécifications additionnelles à respecter lors de l'installation

L'installation de cette cuisinière doit être conforme aux dispositions de la norme Manufactured Home Construction and Safety Standard, Title 24 CFR, Part 3280 (anciennement Federal Standard for Mobile Home Construction and Safety, Title 24, HUD Part 280). Lorsque cette norme n'est pas applicable, l'installation doit satisfaire aux critères de la norme Standard for Manufactured Home Installations, ANSI A225.1/NFPA 501A ou aux dispositions des codes locaux.

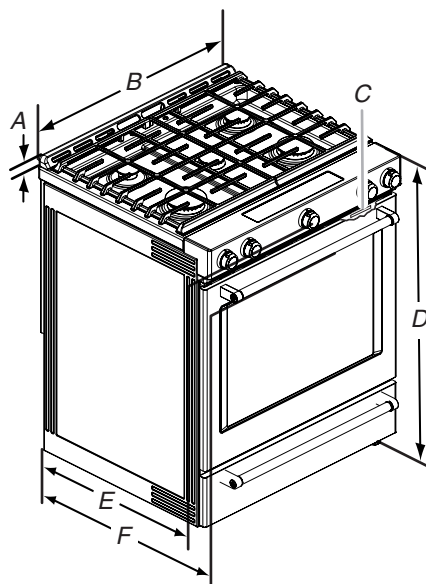
Au Canada, l'installation de cette cuisinière doit satisfaire aux stipulations de la version la plus récente de la norme CAN/CSA-A240 ou des codes locaux en vigueur.

### Autres critères à respecter pour une installation en résidence mobile :

- Dans le cas de l'installation de cette cuisinière dans une résidence mobile, la cuisinière doit être fixée au plancher durant tout déplacement du véhicule. Toute méthode de fixation de la cuisinière est adéquate dans la mesure où elle satisfait aux critères des normes mentionnées ci-dessus.
- Pour une installation en résidence mobile, un câble ou cordon d'alimentation à quatre conducteurs doit être utilisé. Le câblage de l'appareil devra être révisé. Voir la section "Raccordement électrique".

## Dimensions du produit

Ce manuel concerne plusieurs modèles. Votre modèle peut différer de ceux illustrés. Les dimensions indiquées sont les dimensions maximales sur tous les modèles.



- A. 1<sup>3</sup>/<sub>16</sub>" (3,0 cm) de la table de cuisson au sommet de l'évent
- B. 29<sup>7</sup>/<sub>8</sub>" (75,9 cm)
- C. Plaque signalétique (située derrière la porte du four, dans le coin supérieur droit du châssis)
- D. 36" (91,4 cm) jusqu'à la bordure de la table de cuisson, pieds de nivellement complètement rétractés\*
- E. 28<sup>5</sup>/<sub>16</sub>" 71,9 cm) de profondeur maximale de l'avant de la console à l'arrière de la cuisinière
- F. 28<sup>7</sup>/<sub>8</sub>" (73,3 cm) de profondeur maximale entre la poignée et l'arrière de la cuisinière

**IMPORTANT :** La cuisinière doit être d'aplomb après l'installation. Suivre les instructions de la section "Réglage de l'aplomb de la cuisinière". Il n'est pas recommandé d'utiliser la table de cuisson comme référence pour établir l'aplomb de la cuisinière.

\*La cuisinière peut être surélevée d'environ 1" (2,5 cm) en ajustant les pieds de nivellement.

## Dimensions du placard

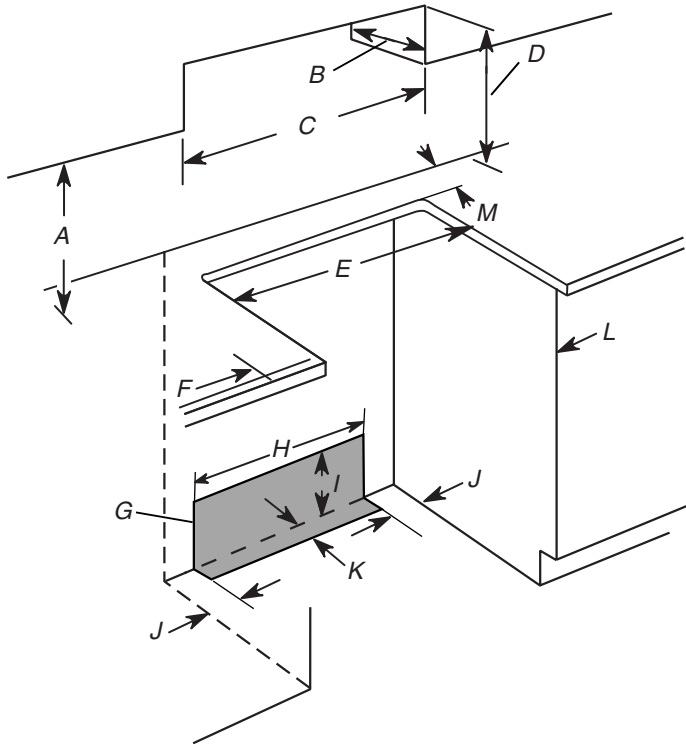
Les dimensions de l'ouverture entre les placards correspondent à une installation entre des placards de 25" (64,0 cm) de profondeur, avec plan de travail de 24" (61,0 cm) de profondeur et de 36" (91,4 cm) de hauteur.

**IMPORTANT :** En cas d'installation d'une hotte ou d'un ensemble hotte/four à micro-ondes au-dessus de la cuisinière, suivre les instructions fournies avec ces appareils concernant les dégagements à respecter au-dessus de la surface de la table de cuisson.

Une cuisinière peut être installée à côté de parois combustibles sans aucun espace.

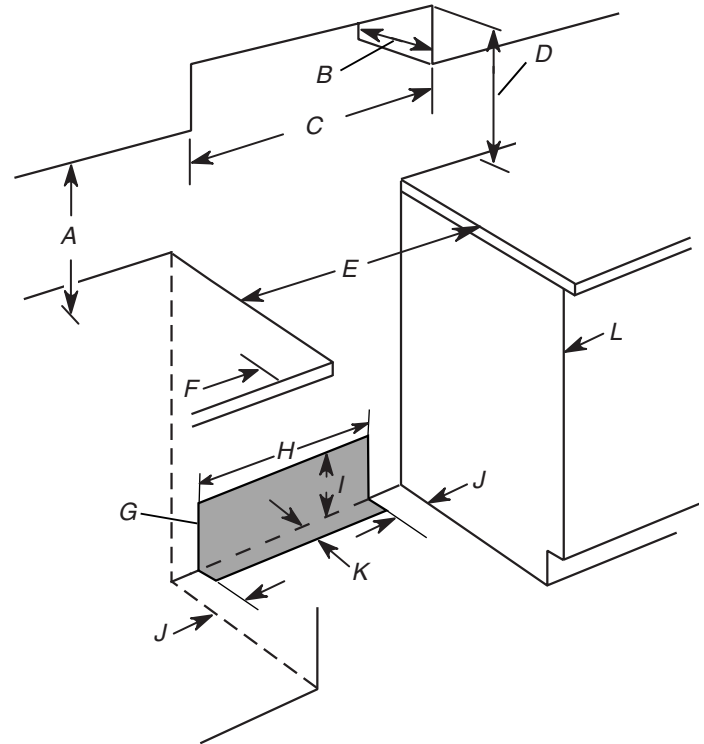
**REMARQUE :** Lorsqu'une cuisinière encastrée est glissée dans une ouverture prévue à cet effet, l'avant de la porte du four peut dépasser du meuble.

### Découpe pour cuisinière encastrée



- A. 18" (45,7 cm) entre le placard latéral supérieur et le plan de travail
- B. 13" (33 cm) de profondeur maximale du placard supérieur
- C. 30" (76,2 cm) de largeur min. d'ouverture
- D. Pour le dégagement minimum par rapport au dessus de la table de cuisson, voir la REMARQUE\*.
- E. Largeur min. d'ouverture 30" (76,2 cm)
- F. Dégagement minimal de 3" (7,6 cm) entre l'un ou l'autre côté de la cuisinière et la paroi latérale ou d'autres matériaux combustibles
- G. Il est recommandé d'effectuer l'installation de la canalisation de gaz rigide et de la prise reliée à la terre dans cette zone grisée.
- H. 20<sup>3</sup>/<sub>8</sub>" (51,8 cm)
- I. 7<sup>1</sup>/<sub>16</sub>" (19,5 cm)
- J. 4<sup>3</sup>/<sub>16</sub>" (12,2 cm)
- K. 3<sup>1</sup>/<sub>16</sub>" (9,4 cm) plus la mesure de M
- L. La porte du placard ou ses charnières ne doit pas dépasser à l'intérieur de l'ouverture.
- M. La profondeur restante du plan de travail ne doit pas dépasser 2<sup>1</sup>/<sub>4</sub>" (5,7 cm).

### Découpe pour cuisinière autoportante



- A. 18" (45,7 cm) entre le placard latéral supérieur et le plan de travail
- B. 13" (33 cm) de profondeur maximale du placard supérieur
- C. 30" (76,2 cm) de largeur min. d'ouverture
- D. Pour le dégagement minimum par rapport au dessus de la table de cuisson, voir la REMARQUE\*.
- E. Largeur min. d'ouverture 30" (76,2 cm)
- F. Dégagement minimal de 3" (7,6 cm) entre l'un ou l'autre côté de la cuisinière et la paroi latérale ou d'autres matériaux combustibles
- G. Il est recommandé d'effectuer l'installation de la canalisation de gaz rigide et de la prise reliée à la terre dans cette zone grisée.
- H. 20<sup>3</sup>/<sub>8</sub>" (51,8 cm)
- I. 7<sup>1</sup>/<sub>16</sub>" (19,5 cm)
- J. 4<sup>3</sup>/<sub>16</sub>" (12,2 cm)
- K. 3<sup>1</sup>/<sub>16</sub>" (9,4 cm)
- L. La porte du placard ou ses charnières ne doit pas dépasser à l'intérieur de l'ouverture.

\***REMARQUE :** Distance de séparation de 24" (61,0 cm) ou plus lorsque le fond d'un placard de bois ou de métal est protégé par une planche ignifugée d'au moins 1/4" (0,64 cm) recouverte d'une feuille métallique d'épaisseur égale ou supérieure à : acier calibre 28 MSG, acier inoxydable 0,015" (0,4 mm), aluminium 0,024" (0,6 mm) ou cuivre 0,020" (0,5 mm).

Distance de séparation minimale de 30" (76,2 cm) entre le dessus de la table de cuisson et le fond d'un placard de bois ou de métal non protégé.

## Exigences concernant l'évacuation

**IMPORTANT :** Cette cuisinière doit être évacuée à l'extérieur à moins d'utiliser un système d'évacuation sans conduit. Voir la section "Méthodes d'évacuation".

- Ne pas terminer le circuit d'évacuation dans un grenier ou dans un autre espace clos.
- Utiliser un clapet de conduit approuvé pour que le rendement soit correct. Si une bouche de décharge de toit ou murale est utilisée, s'assurer que ses dimensions ne sont pas plus petites et qu'elle est équipée d'un clapet anti-retour.
- Le circuit d'évacuation doit se terminer à l'extérieur à moins d'utiliser un système d'évacuation sans conduit.
- Utiliser uniquement un conduit métallique rond de 5" (12,7 cm) ou 6" (15,2 cm) ou un conduit rectangulaire de 3¼" x 10" (8,3 cm x 25,4 cm).
- Un conduit en métal rigide est recommandé. Pour une performance optimale, ne pas utiliser de conduit de plastique ou en aluminium.
- Dans ce cas, on devra construire une structure de support appropriée.
- La taille du conduit doit être uniforme.
- Le circuit d'évacuation doit comporter un clapet anti-reflux.
- Assurer l'étanchéité au niveau de chaque jointure du circuit d'évacuation.
- À l'aide d'un produit de calfeutrage, assurer l'étanchéité autour de la bouche de décharge à l'extérieur (à travers le mur ou le toit).
- Déterminer la méthode d'évacuation la plus appropriée.

### Pour une performance optimale :

- Utiliser un conduit métallique en acier galvanisé de calibre 26 minimum ou en aluminium de calibre 25 minimum. Des raccords de tube de qualité médiocre peuvent réduire la circulation d'air. On déconseille l'emploi d'un conduit métallique flexible pour une évacuation vers l'extérieur.

### REMARQUES :

- On déconseille l'emploi d'un conduit métallique flexible pour une évacuation vers l'extérieur. Un conduit flexible peut causer une contre-pression et des turbulences d'air, qui réduisent considérablement la performance.
- Les codes locaux peuvent imposer un matériau d'épaisseur supérieure.
- Les conduits métalliques peuvent être réduits à de l'acier galvanisé de calibre 30 ou de l'acier aluminisé de calibre 26 si les codes locaux l'autorisent. Cette réduction repose sur les informations du document International Residential Codes Section M1601.1 (édition 2006).
- Ne pas installer 2 coudes successifs.
- Ne pas utiliser plus de trois coudes à 90°.
- Veiller à incorporer une section de conduit rectiligne d'au moins 18" (45,7 cm) entre deux raccords coudés adjacents. Des coudes trop rapprochés peuvent occasionner une turbulence excessive qui réduit la circulation de l'air.
- Ne pas utiliser un coude de 5" (12,7 cm) dans un système de 6" (15,2 cm) ou 3¼" x 10" (8,3 x 25,4 cm).
- Ne pas effectuer de réduction en un circuit de 5" (12,7 cm) après avoir utilisé des raccords de 6" (15,2 cm) ou 3¼" x 10" (8,3 x 25,4 cm).
- Éviter les assemblages par sertissage à la main. Les sertissages à la main peuvent réduire la circulation d'air.

La longueur du circuit d'évacuation et le nombre de coudes doit être réduit au minimum pour des performances optimales.

La longueur équivalente maximale du circuit d'évacuation est de 60 pi (18,3 m). À une altitude supérieure à 4500 pi (1272 m), réduire la longueur du circuit d'évacuation de 20 % pour une meilleure performance.

### Installations dans les régions au climat froid

On devrait installer un clapet anti-retour additionnel pour minimiser le reflux d'air froid et installer une barrière thermique pour minimiser la conduction des températures extérieures par l'intermédiaire du conduit d'évacuation. Le clapet anti-reflux doit être placé du côté air froid de la barrière thermique.

Commander la pièce numéro 708786A pour une barrière thermique de 5" (12,7 cm).

Commander la pièce numéro 715557A pour une barrière thermique de 6" (15,2 cm).

Pour commander, voir la section "Assistance ou service" du Guide d'utilisation et d'entretien.

### Air d'appoint

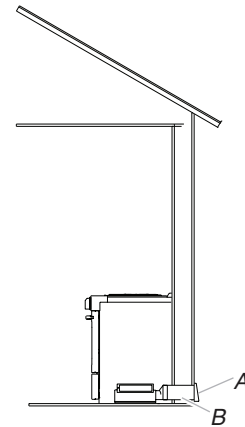
Les codes locaux en bâtiment peuvent imposer l'emploi d'un circuit de renouvellement de l'air/introduction d'air d'appoint, lors de l'utilisation d'un circuit d'aspiration de débit supérieur à une valeur spécifiée en pieds cubes par minute (CFM). Le débit spécifié en pieds cubes par minute varie d'une juridiction à l'autre.

Consulter un professionnel des installations de chauffage ventilation/climatisation au sujet des exigences spécifiques applicables dans la juridiction locale.

## Méthodes d'évacuation

Les méthodes communes d'évacuation sont illustrées pour une cuisinière à aspiration par le bas. L'évacuation de la cuisinière à aspiration par le bas peut se faire par le mur ou le plancher.

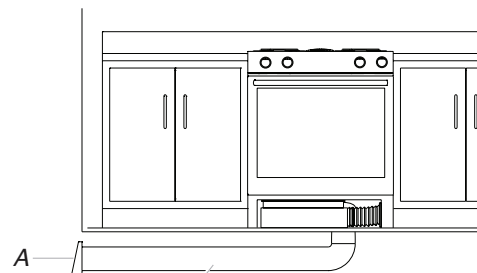
### Évacuation par le mur



A. Bouche de décharge murale  
B. Évacuation

### Évacuation par le plancher

#### Évacuation entre solives de plancher




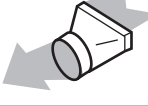

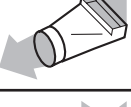

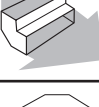
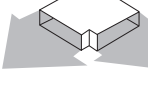
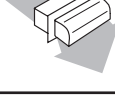


A. Bouche de décharge murale  
B. Évacuation



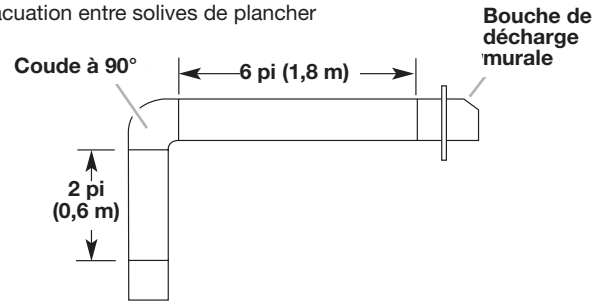
## Calcul de la longueur du circuit d'évacuation

**IMPORTANT :** Cette cuisinière est conçue pour un conduit droit de 6" (15,2 cm) sur 60 pi (18,3 m) ou de 5" (12,7 cm) sur 30 pi (9,15 m). Pour calculer la longueur effective du circuit d'évacuation nécessaire, additionner les longueurs équivalentes (en pieds ou mètres) de tous les composants utilisés dans le circuit.

Composant	5" (12,7 cm) ou 6" (15,2 cm), rond	
Droit rond		
Coude à 45°	2,5 pi (0,8 m)	
Coude à 90°	5,0 pi (1,5 m)	
Bouche de décharge murale de 6" (15,2 cm)	0,0 pi (0,0 m)	
Raccord de 3/4 x 10" (8,3 cm x 25,4 cm) vers 6" (15,2 cm)	4,5 pi (1,4 m)	
Raccord de 6" (15,2 cm) vers 3/4" x 10" (8,3 cm x 25,4 cm)	1 pi (0,3 m)	
Raccord coudé à 90° de 3/4 x 10" (8,3 cm x 25,4 cm) vers 6" (15,2 cm)	5,0 pi (1,5 m)	
Raccord coudé à 90° de 6" (15,2 cm) vers 3/4" x 10" (8,3 cm x 25,4 cm)	5,0 pi (1,5 m)	
Coude à 90° de 3/4" x 10" (8,3 cm x 25,4 cm)	5,0 pi (1,5 m)	
Coude plat de 3/4" x 10" (8,3 cm x 25,4 cm)	12,0 pi (3,7 m)	
Bouche de décharge murale de 3/4" x 10" (8,3 cm x 25,4 cm)	0,0 pi (0,0 m)	
Conduit droit de 3/4" x 10" (8,3 cm x 25,4 cm)		
Pièce numéro 708786A pour une barrière thermique de 5" (12,7 cm) Pièce numéro 71557A pour une barrière thermique de 6" (15,2 cm)	2,0 pi (0,6 m)	

## Exemple de système de décharge de 6" (15,2 cm)

Évacuation entre solives de plancher



**Longueur maximale = 60 pi (18,3 m)**

1 coude à 90° = 5 pi (1,5 m)

Section droite de 8 pi (2,4 m) = 8 pi (2,4 m)

1 bouche de décharge murale = 0 pi (0 m)

Longueur totale = 13 pi (3,9 m)

**REMARQUE :** On déconseille l'emploi d'un conduit flexible pour une évacuation vers l'extérieur. Un conduit flexible peut causer une contre-pression et des turbulences d'air, qui réduisent considérablement la performance.

### ⚠️ AVERTISSEMENT



#### Risque de choc électrique

**Relier la cuisinière à la terre.**

**Le non-respect de cette instruction peut causer un décès, un incendie ou un choc électrique.**

Vérifier que le raccordement à la source d'électricité et le calibre des conducteurs sont adéquats et conformes aux prescriptions de la plus récente édition de la norme CSA C22.1, partie 1 – Code canadien de l'électricité, et de tout code ou règlement local en vigueur.

On peut obtenir un exemplaire de la norme ci-dessus auprès de :

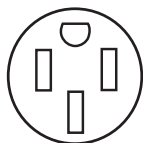
Canadian Standards Association  
178 Rexdale Blvd.  
Toronto, ON M9W 1R3 CANADA

- En cas de doute quant à la qualité de la liaison à la terre de la cuisinière, consulter un électricien qualifié.

Spécifications électriques pour la cuisinière*		Intensité nominale spécifiée du cordon d'alimentation et de la protection du circuit	
120/240 volts	120/208 volts	Ampères	Temp. Rating
8,8 à 16,5 kW	7,8 à 12,5 kW	40 ou 50	194°F (90°C)
16,6 à 22,5 kW	12,6 à 18,5 kW	50	194°F (90°C)

\*La charge NEC calculée est inférieure à la charge totale connectée indiquée sur la plaque signalétique.

- Lorsqu'on dispose d'une alimentation électrique monophasée à 4 conducteurs de 240 volts, 60 Hz, et CA uniquement, une protection de circuit de 40 ampères minimum est requise pour les cuisinières de 30" (76,2 cm); dans chaque cas, la protection de circuit doit être protégée par fusible aux deux extrémités de la ligne.
- On recommande l'emploi d'un fusible temporisé ou d'un disjoncteur.
- Cette cuisinière est dotée d'un cordon d'alimentation (homologation UL ou CSA International) destiné à être branché sur une prise de courant murale standard 14-50R. Veiller à ce que la prise de courant murale soit placée à portée de la position de service finale de la cuisinière.



- Ne pas utiliser de câble de rallonge.
- Le schéma de câblage est situé à l'arrière de la cuisinière ou dans un sachet plastique transparent.

### ⚠️ AVERTISSEMENT



#### Risque d'explosion

**Utiliser une canalisation neuve d'arrivée de gaz approuvée par la CSA International.**

**Installer un robinet d'arrêt.**

**Bien serrer chaque organe de connexion de la canalisation de gaz.**

**En cas de connexion au gaz propane, demander à une personne qualifiée de s'assurer que la pression de gaz ne dépasse pas 36 cm (14 po) de la colonne d'eau.**

**Par personne qualifiée, on comprend :**

**le personnel autorisé de chauffage,  
le personnel autorisé d'une compagnie de gaz, et  
le personnel d'entretien autorisé.**

**Le non-respect de ces instructions peut causer un décès, une explosion ou un incendie.**

Observer toutes les prescriptions des codes et règlements en vigueur.

**IMPORTANT :** L'installation doit satisfaire aux critères de tous les codes et règlements locaux. En l'absence de code local, l'installation doit satisfaire aux prescriptions de la plus récente édition du : National Fuel Gas Code ANSI Z223.1 (American National Standard), ou CAN/CGA B149 (édition la plus récente).

**IMPORTANT :** Les tests de fuite de la cuisinière doivent être effectués selon les instructions du fabricant.

### Type de gaz

#### Gaz naturel :

La conception de cette cuisinière a été homologuée par CSA International pour l'alimentation au gaz naturel, ou pour l'alimentation au propane après conversion adéquate.

- Cette cuisinière a été configurée à l'usine pour l'alimentation au gaz naturel. Voir la section "Conversions pour changement de gaz". La plaque signalétique située sur le châssis du four, derrière le côté supérieur droit de la porte du four indique les types de gaz utilisables. Si le type de gaz disponible n'est pas mentionné, consulter le fournisseur de gaz local.

#### Conversion pour l'alimentation au propane :

L'opération de conversion doit être exécutée par un technicien qualifié.

Consulter le fournisseur de gaz avant toute conversion de l'appareil pour l'utilisation d'un type de gaz qui n'est pas mentionné sur la plaque signalétique. Voir la section "Conversions pour changement de gaz".

## Canalisation d'alimentation en gaz

- Installer une canalisation d'alimentation en gaz rigide de  $\frac{3}{4}$ " (1,9 cm) jusqu'à l'emplacement d'installation de la cuisinière. L'emploi d'une canalisation de plus petit diamètre ou plus longue peut susciter une déficience du débit d'alimentation. Pour l'alimentation au propane, le diamètre des canalisations doit être de  $\frac{1}{2}$ " (1,3 cm) ou plus. Généralement, le fournisseur de gaz propane détermine les matériaux à utiliser et la dimension appropriée.

**REMARQUE :** On doit utiliser un composé d'étanchéité pour tuyauteries résistant à l'action du gaz propane. Ne pas utiliser de ruban TEFLON<sup>†</sup>.

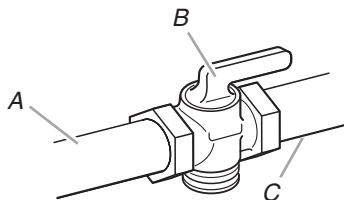
### Raccord métallique flexible pour appareil ménager :

- Si les codes locaux le permettent, pour raccorder la cuisinière à la canalisation de gaz, on peut utiliser un raccord métallique flexible pour appareil ménager neuf (homologation CSA) de 4 à 5 pi (122 à 152,4 cm) de longueur, de diamètre interne de  $\frac{1}{2}$ " ou  $\frac{3}{4}$ " (1,3 ou 1,9 cm).



- Un raccord avec filetage mâle de  $\frac{1}{2}$ " (1,3 cm) est nécessaire pour la connexion sur le raccord à filetage femelle à l'entrée du détendeur de l'appareil.
- Veiller à ne pas déformer ou endommager le tube métallique flexible lors d'un déplacement de la cuisinière.
- Robinet d'arrêt nécessaire :

La canalisation d'alimentation doit comporter un robinet d'arrêt manuel. Le robinet d'arrêt manuel doit être séparé de l'ouverture de la cuisinière, mais doit se trouver dans la même pièce, par exemple dans un placard adjacent. La canalisation doit se trouver en un endroit facilement accessible pour les manoeuvres d'ouverture/fermeture. Ne pas entraver l'accès au robinet d'arrêt manuel. Le robinet d'arrêt manuel est prévu pour ouvrir ou fermer l'alimentation en gaz de la cuisinière.



A. Canalisation d'alimentation en gaz  
B. Robinet d'arrêt en position d'ouverture  
C. Vers la cuisinière

## Détendeur

Le détendeur fourni avec cette cuisinière doit être utilisé. Pour un fonctionnement correct, la pression d'alimentation du détendeur doit être comme suit :

### Gaz naturel :

Pression minimum : 5" (colonne d'eau)

Pression maximum : 14" (colonne d'eau)

### Gaz propane :

Pression minimum : 11" (colonne d'eau)

Pression maximum : 14" (colonne d'eau)

En cas d'incertitude quant à la pression d'alimentation à établir, contacter le fournisseur de gaz local.

## Débit thermique des brûleurs

Les débits thermiques indiqués sur la plaque signalétique correspondent à une altitude d'utilisation inférieure ou égale à 2000 pi (609,6 m).

Lorsque l'appareil est utilisé à une altitude supérieure à 2000 pi (609,6 m), on doit réduire le débit thermique indiqué de 4 % pour chaque tranche de 1000 pi (304,8 m) au-dessus du niveau de la mer (pas applicable au Canada).

## Tests de pressurisation de la canalisation de gaz

On doit tester le détendeur sous une pression supérieure d'au moins 1" (2,5 cm) à la pression de la tubulure de distribution indiquée sur la plaque signalétique.

### Pressurisation à une pression supérieure à $\frac{1}{2}$ lb/po<sup>2</sup> (14" – colonne d'eau)

Lors de tout test de pressurisation de ce système à une pression supérieure à  $\frac{1}{2}$  lb/po<sup>2</sup> (3,5 kPa), on doit déconnecter la cuisinière et son robinet d'arrêt individuel de la canalisation de gaz.

### Pressurisation à une pression égale ou inférieure à $\frac{1}{2}$ lb/po<sup>2</sup> (14" – colonne d'eau)

Lors de tout test de pressurisation de la canalisation de gaz à une pression égale ou inférieure à  $\frac{1}{2}$  lb/po<sup>2</sup> (3,5 kPa), on doit isoler la cuisinière de la canalisation de gaz par fermeture de son robinet d'arrêt manuel individuel.

# INSTRUCTIONS D'INSTALLATION

## Déballage de la cuisinière

### **⚠ AVERTISSEMENT**

#### Risque du poids excessif

Utiliser deux ou plus de personnes pour déplacer et installer la cuisinière.

Le non-respect de cette instruction peut causer une blessure au dos ou d'autre blessure.

1. Ôter les matériaux d'emballage, le ruban adhésif et la pellicule protectrice de la cuisinière. Garder la base de carton sous la cuisinière. Ne rien jeter avant d'avoir complètement terminé l'installation.
2. Retirer les grilles de four et le sachet de pièces du four et des matériaux d'emballage.
3. Pour retirer le fond en carton, prendre d'abord les 4 coins en carton de la caisse. Empiler l'un des coins sur un autre. Répéter avec les 2 autres coins. Les disposer sur le plancher dans le sens de la longueur derrière la cuisinière, à titre de support de la cuisinière lorsque celle-ci est placée sur sa partie postérieure.
4. À 2 personnes au moins, saisir fermement la cuisinière et la déposer délicatement sur sa partie postérieure, sur les coins en carton.
5. Retirer le fond en carton.

Les pieds de nivellement peuvent être réglés pendant que la cuisinière repose sur sa partie postérieure. Voir la section "Réglage des pieds de nivellement".

**REMARQUE :** Pour relever la cuisinière en position verticale, placer un carton ou un panneau de fibres dur au sol devant la cuisinière pour protéger le plancher. À 2 personnes au moins, redresser la cuisinière et la placer sur le carton ou le panneau de fibres dur.

## Installation de la bride antibasculement

### **⚠ AVERTISSEMENT**



#### Risque de basculement

Un enfant ou une personne adulte peut faire basculer la cuisinière, ce qui peut causer un décès.

Fixer la bride antibasculement au plancher ou au mur, conformément aux instructions d'installation.

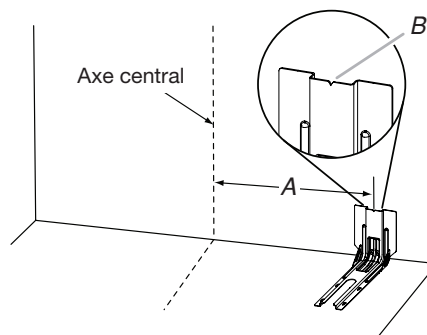
Faire glisser de nouveau la cuisinière de façon à ce que le pied arrière de la cuisinière se trouve dans la fente de la bride antibasculement.

Réengager la bride antibasculement si la cuisinière a été déplacée.

Ne pas faire fonctionner la cuisinière si la bride antibasculement n'est pas installée et engagée.

Le non-respect de ces instructions peut causer un décès ou des brûlures graves aux enfants et aux adultes.

1. Sortir la bride antibasculement de l'intérieur du four.
2. Déterminer la méthode de montage à utiliser : au plancher ou au mur.  
Pour un plancher en pierre ou en briquetage, on peut utiliser la méthode de montage au mur. En cas d'installation de la cuisinière dans une résidence mobile, il est impératif de fixer la cuisinière au sol.  
Cette bride antibasculement et les vis peuvent servir avec des goujons en métal ou en bois.
3. Déterminer et marquer l'axe central de l'espace à découper. Le montage peut être effectué du côté gauche ou droit de la découpe. Positionner la bride de montage contre le mur dans l'ouverture, de telle sorte que l'encoche en V de la bride se trouve à 12 1/2" (31,8 cm) de l'axe central, tel qu'illustré.

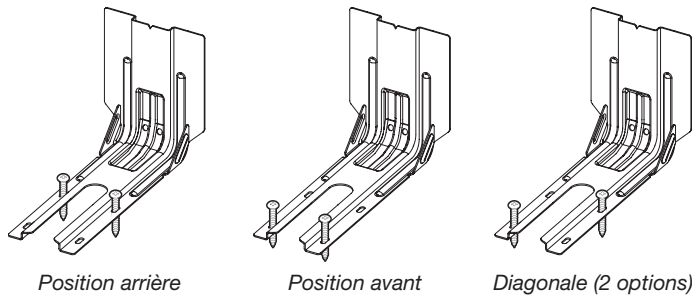


A. 12 1/2" (31,8 cm)

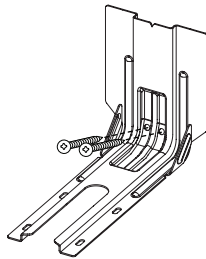
B. Encoche en V de la bride

- Percer deux trous de 1/8" (3 mm) qui correspondent aux trous de la bride selon la méthode de montage déterminée. Voir les illustrations suivantes.

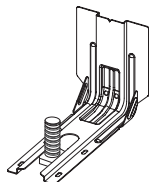
#### Montage au plancher



#### Montage mural



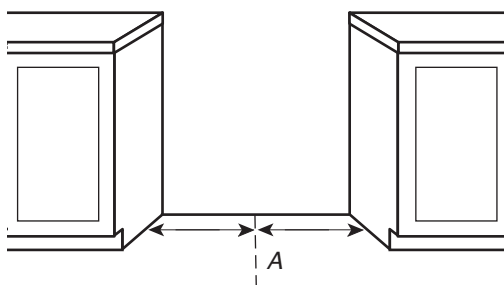
- À l'aide des deux vis à tête Phillips n° 10 x 1 5/8" (4,1 cm) fournies, visser la bride antibasculement au mur ou au plancher.
- Rapprocher la cuisinière le plus près possible de l'ouverture afin de faciliter les raccordements électriques définitifs. Retirer la plaque de transport, le carton ou le panneau de fibres dur de sous la cuisinière.
- Placer la cuisinière dans son emplacement définitif en s'assurant que le pied de nivellement arrière glisse dans la bride antibasculement.



- Déplacer la cuisinière vers l'avant sur sa plaque de transport, son carton ou son panneau de fibres dur pour poursuivre l'installation de la cuisinière à l'aide des instructions d'installation suivantes.

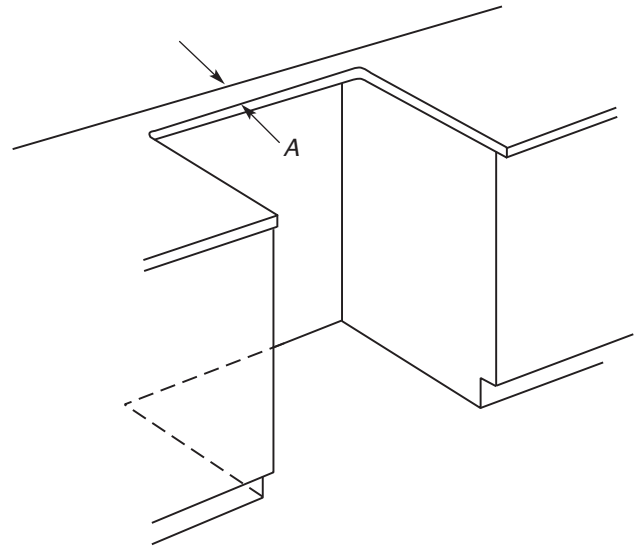
### Positionnement du gabarit indiquant l'emplacement du ventilateur

- Repérer et tracer clairement l'axe central sur le plancher pour l'ouverture du placard.



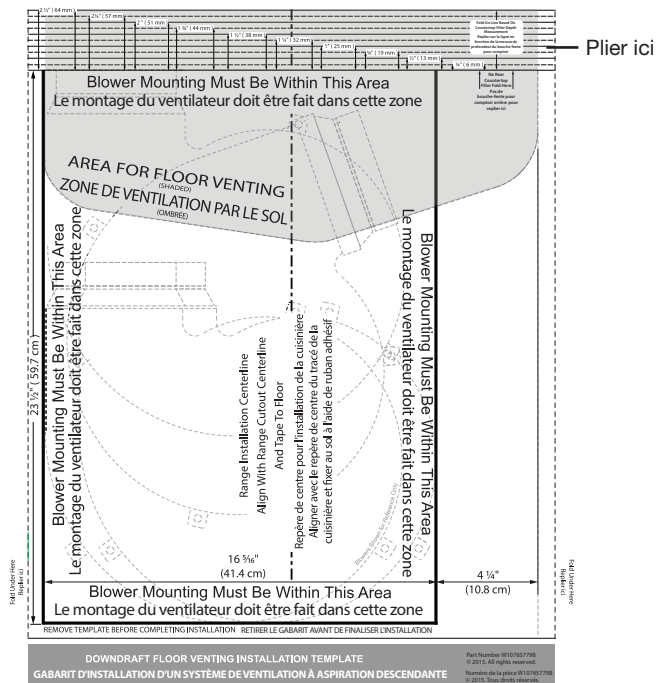
A. Axe central

- Trouver le gabarit pour le positionnement du ventilateur dans la trousse des pièces pour l'installation.
- Si le comptoir se prolonge à l'arrière de l'ouverture, mesurer la distance du rebord arrière de l'ouverture du placard et le mur.



A. Épaisseur du mortier pour comptoir

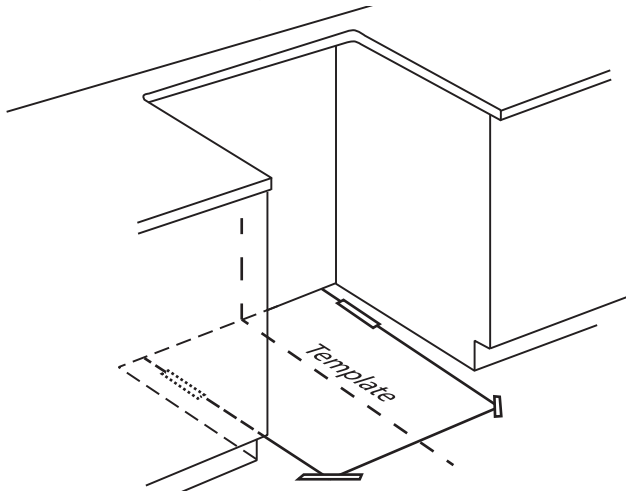
- Replier le haut du gabarit pour le montage du ventilateur/ conduit d'évacuation sur la ligne correspondant à la profondeur du comptoir mesurée à l'Étape 3.



**REMARQUE :** Le gabarit comporte des lignes tous les 1/4" (6,4 mm) du rebord arrière. Si la distance mesurée à l'étape précédente est de 1 1/4" (32 mm), replier le gabarit sur la ligne étiquetée 1 1/4" (32 mm). S'il n'y a pas de mortier pour comptoir, replier le gabarit sur le repère zéro (0).

- Aligner l'axe central du gabarit sur l'axe central indiqué sur le plancher. Aligner le rebord plié du gabarit contre le mur arrière.

**REMARQUE :** Fixer le gabarit au plancher à l'aide de ruban.



## Installation du circuit d'évacuation par le bas

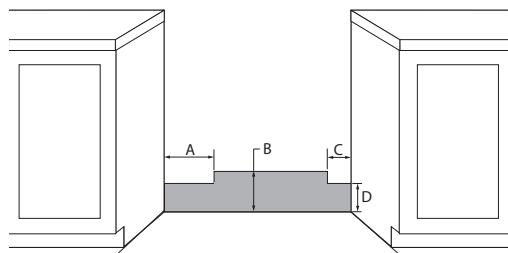
Déterminer quelle méthode d'évacuation utiliser : plancher ou mur arrière. Consulter la section se rapportant à votre type d'évacuation. Prendre en considération l'emplacement de tous les services publics et des conduits avant de déterminer l'emplacement final afin d'assurer un bon ajustement et un bon positionnement.

### Évacuation par le mur arrière :

- Déterminer à quel endroit dans la zone illustrée ci-dessous le conduit d'évacuation sortira. Repérer l'emplacement du trou d'évacuation selon le type d'évacuation qui sera utilisé.

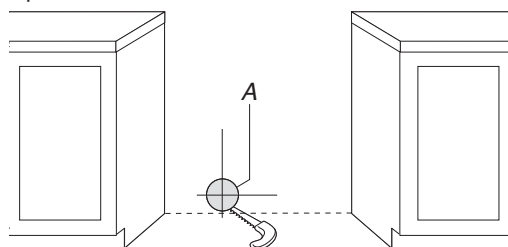
#### IMPORTANT :

- Vérifier s'il y a des obstructions (plomberie, électricité, colombages, etc.) avant de tracer l'emplacement du trou d'évacuation.
- Le système de ventilation résidentiel doit se terminer dans la zone définie à l'aide d'un conduit de ventilation rond de 5" (12,7 cm).



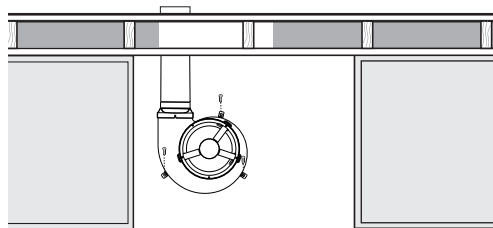
A. 12" (30,5 cm)      C. 8" (20,3 cm)  
B. 7½" (19 cm)      D. 5½" (14 cm)

- Tracer le contour du conduit de ventilation sur le mur et couper le trou de ventilation.



A. Trou de ventilation

- Repérer le ventilateur.
- Trouver l'adaptateur de prise pour le ventilateur dans la trousse des pièces pour l'installation.
- Poser l'adaptateur de prise pour le ventilateur sur le conduit d'évacuation à l'aide de trois vis 8-18 x ¾". Assurer l'étanchéité de chaque connexion avec du ruban aluminium.
- Retirer trois feutres du ruban isolant.
- Retirer l'endos de papier des feutres et les poser dans le bas des pattes du moteur du ventilateur.  
**REMARQUE :** Les feutres réduisent le bruit du moteur et facilitent l'installation sur des planchers inégaux.
- Positionner le ventilateur sur le gabarit de façon à ce que l'adaptateur de prise s'aligne sur le système de ventilation résidentiel.  
**IMPORTANT :** S'assurer que le moteur du ventilateur est bien positionné dans la zone selon ce qui est illustré sur le gabarit.
- Connecter le système de ventilation résidentiel à l'adaptateur de prise pour le ventilateur à l'aide des vis à tôle. Assurer l'étanchéité de chaque connexion avec du ruban aluminium.
- Percer trois avant-trous de ⅛" (3 mm) en utilisant les trous sur les pattes du moteur de ventilateur comme guides.
- Retirer le gabarit.
- Fixer le ventilateur au sol avec les trois vis #10 x 1" à tête hexagonale.

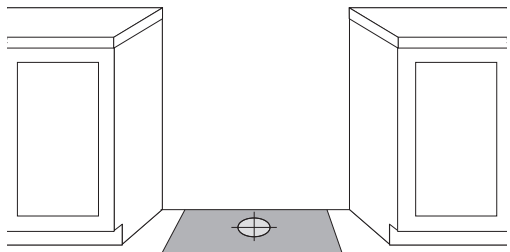


- Voir la section "Raccordement au gaz".

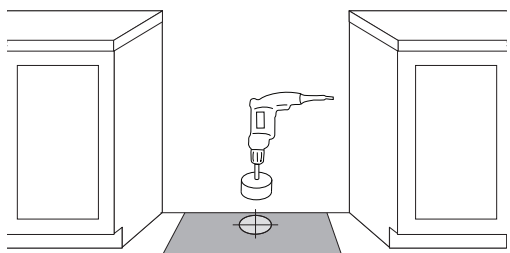
## Évacuation par le plancher

1. Déterminer à quel endroit sur le gabarit le conduit d'évacuation sortira. Repérer l'emplacement du trou d'évacuation selon le type d'évacuation qui sera utilisé.

**IMPORTANT :** Vérifier s'il y a des obstructions (plomberie, électricité, etc.) avant de tracer l'emplacement du trou d'évacuation.



2. Tracer et percer le trou d'évacuation au niveau du plancher.



3. Poser l'adaptateur de prise pour le ventilateur sur le conduit d'évacuation à l'aide de trois vis 8-18 x 3/8". Assurer l'étanchéité de chaque connexion avec du ruban aluminium.

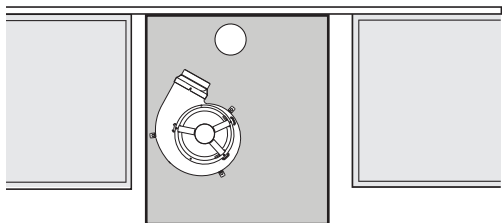
4. Retirer trois feutres du ruban isolant.

5. Retirer l'endos de papier des feutres et les poser dans le bas des pattes du moteur du ventilateur.

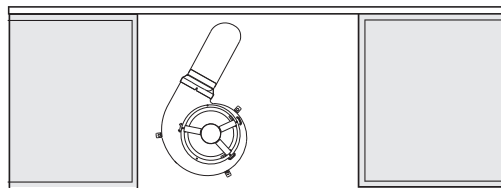
**REMARQUE :** Les feutres réduisent le bruit du moteur et facilitent l'installation sur des planchers inégaux.

6. Positionner le moteur du ventilateur dans l'ouverture du placard de façon à ce que le conduit d'évacuation du ventilateur soit aligné sur le trou d'évacuation coupé à l'Étape 2.

**IMPORTANT :** S'assurer que le moteur du ventilateur est bien positionné dans la zone selon ce qui est illustré sur le gabarit.



7. Connecter le système de ventilation résidentiel à l'adaptateur de prise pour ventilateur à l'aide d'une bride de fixation; recouvrir ensuite la connexion à l'aide de ruban aluminium.
8. Percer trois avant-trous de 1/8" (3 mm) en utilisant les pattes du moteur de ventilateur comme guides.
9. Retirer le gabarit.
10. Fixer le ventilateur au sol avec les trois vis #10 x 1".



Vue de dessus

11. Voir la section "Raccordement au gaz".

## Raccordement au gaz

# ⚠ AVERTISSEMENT



### Risque d'explosion

Utiliser une canalisation neuve d'arrivée de gaz approuvée par la CSA International.

Installer un robinet d'arrêt.

Bien serrer chaque organe de connexion de la canalisation de gaz.

En cas de connexion au gaz propane, demander à une personne qualifiée de s'assurer que la pression de gaz ne dépasse pas 36 cm (14 po) de la colonne d'eau.

Par personne qualifiée, on comprend :

le personnel autorisé de chauffage,  
le personnel autorisé d'une compagnie de gaz, et  
le personnel d'entretien autorisé.

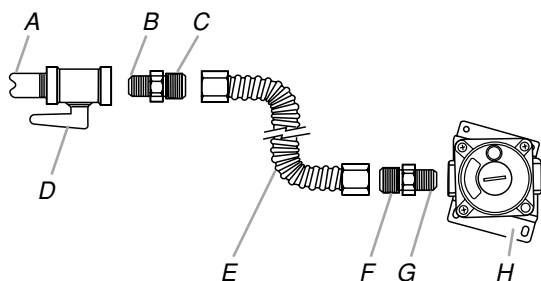
Le non-respect de ces instructions peut causer un décès, une explosion ou un incendie.

Cette cuisinière a été configurée à l'usine pour l'alimentation au gaz naturel. Pour utiliser cette cuisinière avec du gaz propane, voir la section "Conversions pour changement de gaz" avant de la relier à l'alimentation en gaz. Les conversions pour changement de gaz naturel à propane ou de propane à gaz naturel doivent être effectuées par un installateur qualifié.

### Raccordement typique par raccord flexible

1. Appliquer un composé d'étanchéité des filetages résistant au propane sur l'extrémité filetée la plus petite des adaptateurs de raccord flexible (voir B et G dans l'illustration suivante).
2. Fixer un adaptateur sur le détendeur et l'autre adaptateur sur le robinet d'arrêt de la canalisation de gaz. Serrer les deux adaptateurs en veillant à ne pas déplacer ni faire tourner le détendeur.
3. Utiliser une clé mixte de  $1\frac{5}{16}$ " (2,4 cm) et une pince multiprise pour fixer le raccord flexible sur les adaptateurs.

**IMPORTANT :** Tous les raccords doivent être bien serrés à l'aide d'une clé. Ne pas serrer excessivement la connexion sur le détendeur. Un serrage excessif pourrait provoquer une fissuration du détendeur et une fuite de gaz. Lors du serrage d'un raccord, empêcher le détendeur de tourner.

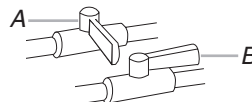


- A. Conduite de gaz de  $\frac{1}{2}$ " (1,3 cm) ou  $\frac{3}{4}$ " (1,9 cm)  
B. Utiliser un composé d'étanchéité pour tuyauteries  
C. Adaptateur  
D. Robinet d'arrêt manuel

- E. Raccord flexible  
F. Adaptateur (doit comporter un filetage mâle de  $\frac{1}{2}$ " [1,3 cm])  
G. Utiliser un composé d'étanchéité pour tuyauteries.  
H. Détendeur

### Achever le raccordement

1. Ouvrir le robinet d'arrêt manuel sur la canalisation d'alimentation en gaz. Le robinet est ouvert lorsque la poignée est parallèle au conduit d'alimentation en gaz.

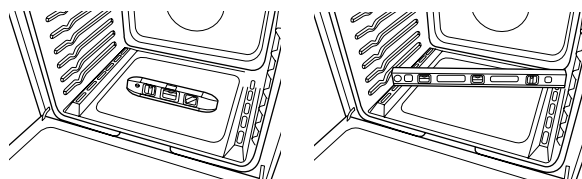


A. Robinet fermé  
B. Robinet ouvert

2. Vérifier tous les raccords en les badigeonnant d'une solution de détection des fuites non corrosive approuvée. L'apparition de bulles indique une fuite. Réparer toute fuite éventuelle.

### Réglage de l'aplomb de la cuisinière

1. En fonction de la taille du niveau, le placer sur le bas du four tel qu'indiqué dans l'une des deux figures ci-dessous. Contrôler l'aplomb transversal et dans le sens avant/arrière.



2. Si la cuisinière n'est pas horizontale, utiliser une clé ou une pince pour régler les pieds de nivellement vers le haut ou vers le bas jusqu'à ce que la cuisinière soit d'aplomb.

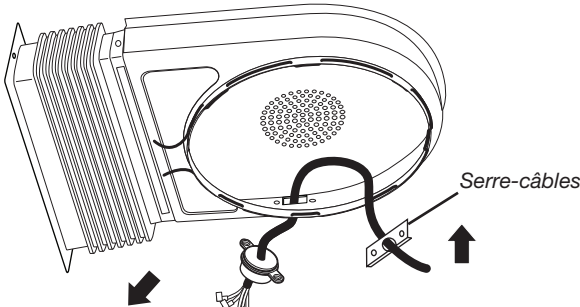
**REMARQUE :** La cuisinière doit être d'aplomb pour obtenir les résultats de cuisson au four satisfaisants et un nettoyage optimal avec la technologie d'autonettoyage AquaLift®.



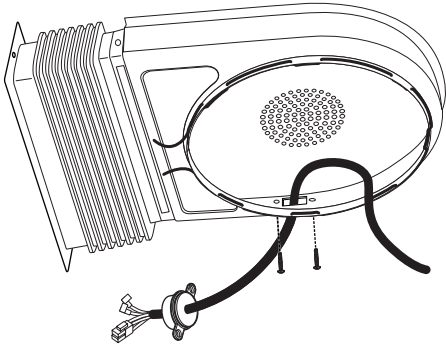
## Installation du ventilateur

### Installer le couvercle du ventilateur

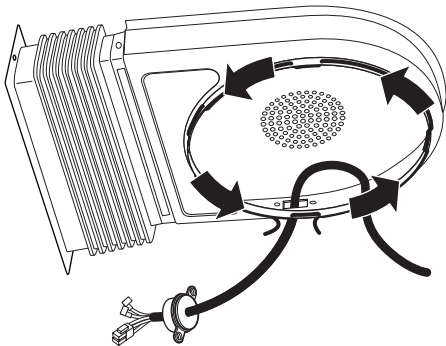
1. Repérer le couvercle du moteur du ventilateur.
2. Faire passer les câbles avec serre-câbles du moteur de ventilateur dans la petite ouverture située sur le couvercle du moteur du ventilateur en partant de l'intérieur vers l'extérieur.



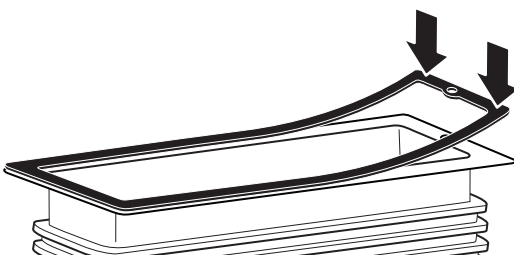
3. Passer le câble du moteur de ventilateur dans l'ouverture et placer la bride du serre-câbles à l'intérieur du couvercle du ventilateur. Mettre en place et serrer les deux (2) vis #8-18 x 3/8" comprises pour fixer la bride du serre-câbles.



4. Repositionner la bague de retenue du couvercle du ventilateur de la façon illustrée.

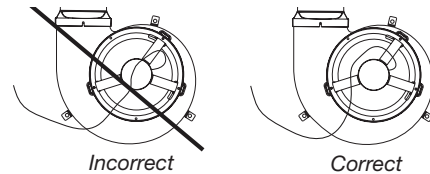


5. Retirer le papier de l'endos du feutre rectangulaire et appliquer le côté adhésif sur la bride du soufflet.  
**REMARQUE :** Cette étape est importante pour assurer un rendement maximum du ventilateur.

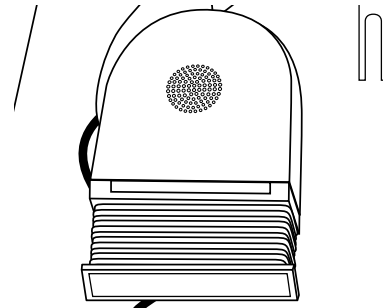


6. Poser le couvercle sur le ventilateur. Écarter légèrement le ressort de retenue du couvercle afin de permettre à ce dernier de se positionner sur le ventilateur.

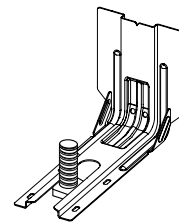
**REMARQUE :** Le couvercle du moteur de ventilateur ne peut être correctement mis en place si le câble de moteur est situé sur le dessus du moteur.



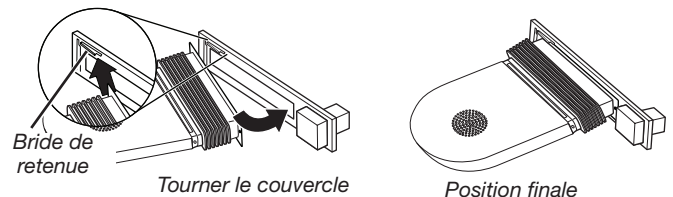
7. Tourner le couvercle du ventilateur afin que les soufflets soient positionnés vers l'avant de l'installation.



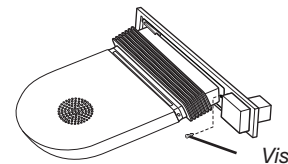
8. Déplacer le fil vers l'avant de l'installation.
9. Retirer le carton ou le panneau de fibres dur de sous la cuisinière.
10. Retirer le panneau d'accès inférieur avant de la cuisinière en soulevant légèrement le panneau et en le tirant vers l'extérieur.
11. À deux personnes ou plus, déplacer doucement la cuisinière à son emplacement final.
12. Inspecter le connecteur en métal flexible pour le gaz et le câblage électrique pour vérifier qu'ils ne sont pas déformés. Au moyen d'une torche électrique, inspecter le dessous et l'arrière de la cuisinière.
13. Vérifier que la bride antibasculement est bien installée et engagée.
  - a. Au moyen d'une torche électrique, inspecter le dessous et l'arrière de la cuisinière.
  - b. Vérifier visuellement que le pied arrière de la cuisinière se trouve dans la fente de la bride antibasculement.



14. Tourner le couvercle du ventilateur pour que les soufflets soient bien en position. S'assurer que l'arrière de la bride du soufflet est bien engagé dans la bride de retenue.



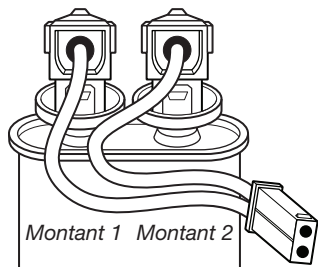
15. Fixer l'avant de la bride du soufflet au cadre de la cuisinière à l'aide des vis #8-18 x 3/8" fournies.



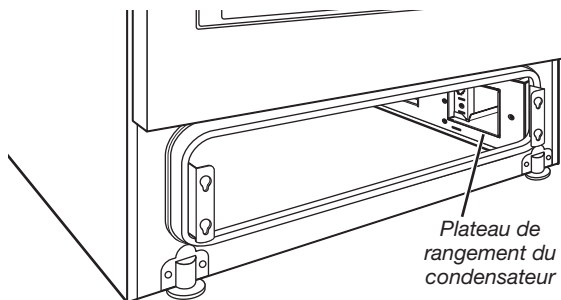
## Raccordement des composants électriques du ventilateur

1. Repérer le condensateur (dans la trousse du moteur de ventilateur).

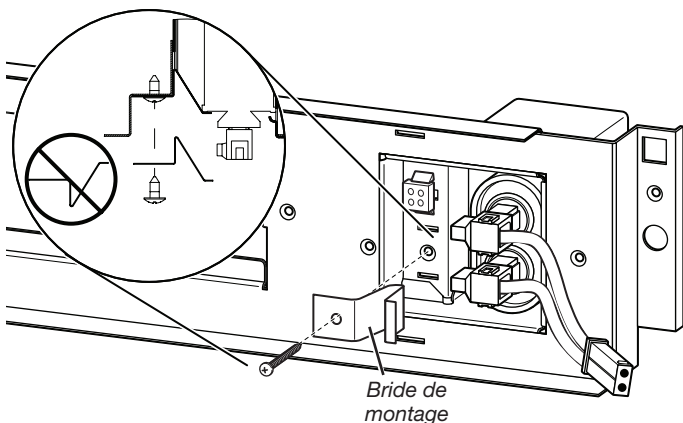
**REMARQUE :** Le condensateur est accompagné d'une petite borne qui se termine par un connecteur à deux broches (voir image).



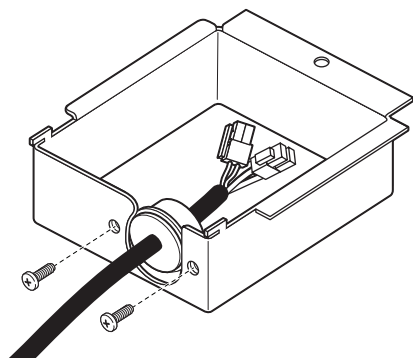
2. Repérer le plateau de rangement du condensateur devant le point de raccordement du soufflet du ventilateur dans le coin inférieur droit de la cuisinière.



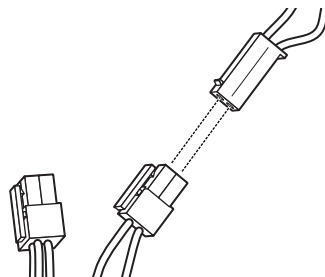
3. Placer le condensateur dans le plateau.
4. Fixer le condensateur à l'aide de la bride de montage du condensateur, puis placer la vis de la bride.



5. Fixer le serre-câbles du moteur de ventilateur, près du bout du raccord rapide, au couvercle du cache-borne électrique du ventilateur à l'aide des deux vis comprises.

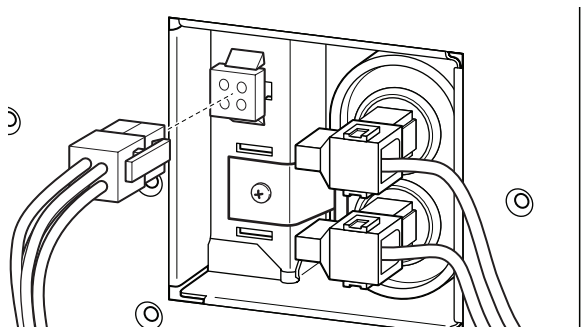


6. Repérer le connecteur à deux broches situé sur la borne du câble du moteur de ventilateur et le brancher au connecteur à deux broches du condensateur.



7. Repérer le connecteur à 4 broches sur le fil du ventilateur et la brancher au point de raccordement se trouvant directement à l'arrière du plateau de rangement du condensateur.

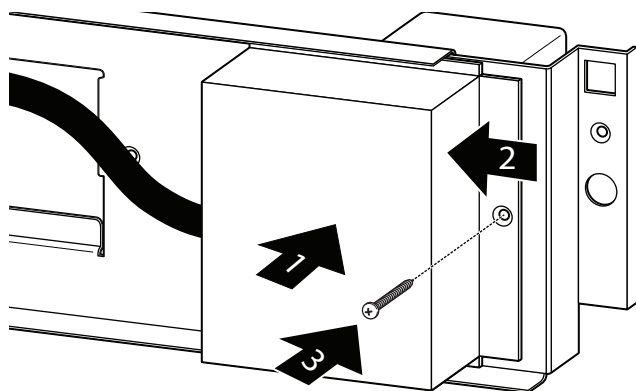
**REMARQUE :** L'agrafe de la borne (point e fixation) fera face à l'avant de la cuisinière.



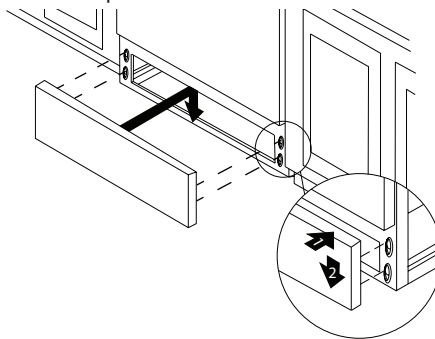
8. Remplacer le cache-borne électrique du ventilateur.

**REMARQUE :** Lors du positionnement du cache, insérer les pattes du cache-borne dans les fentes correspondantes sur la cuisinière, puis remplacer le cache-borne.

9. Remplacer la vis du cache-borne.



10. Remplacer le panneau d'accès en alignant les goujons aux fentes en forme de trou de serrure de la cuisinière. Pousser le panneau d'accès vers l'avant sur les fentes, puis vers le bas pour fixer le tout.



11. Rétablir l'alimentation électrique.

## Réglage des pieds de nivellement

1. Si un ajustement de la hauteur de la cuisinière est nécessaire, utiliser une clé ou une pince pour desserrer les 4 pieds de nivellement.

Cette opération peut être effectuée alors que la cuisinière repose sur sa partie postérieure ou sur 2 pieds après avoir été relevée en position verticale.

**REMARQUE :** Pour placer à nouveau la cuisinière en position verticale, placer un carton ou un panneau de fibres dur devant la cuisinière. À 2 personnes au moins, redresser la cuisinière et la placer sur le carton ou le panneau de fibres dur.

### **AVERTISSEMENT**



#### Risque de basculement

**Un enfant ou une personne adulte peut faire basculer la cuisinière, ce qui peut causer un décès.**

**Fixer la bride antibasculement au plancher ou au mur, conformément aux instructions d'installation.**

**Faire glisser de nouveau la cuisinière de façon à ce que le pied arrière de la cuisinière se trouve dans la fente de la bride antibasculement.**

**Réengager la bride antibasculement si la cuisinière a été déplacée.**

**Ne pas faire fonctionner la cuisinière si la bride antibasculement n'est pas installée et engagée.**

**Le non-respect de ces instructions peut causer un décès ou des brûlures graves aux enfants et aux adultes.**

2. Mesurer la distance entre le haut du plan de travail et le plancher.
3. Mesurer la distance entre le haut de la table de cuisson et le bas des pieds de nivellement. Cette distance doit être la même. Dans le cas contraire, régler les pieds de nivellement à la hauteur correcte. Les pieds de nivellement peuvent être desserrés pour ajouter une hauteur maximale de 1" (2,5 cm). Une longueur minimale de  $\frac{3}{16}$ " (5 mm) est nécessaire pour engager la bride antibasculement.

**REMARQUE:** Si un ajustement de la hauteur est effectué alors que la cuisinière est debout, incliner la cuisinière vers l'arrière pour ajuster les pieds avant, puis incliner la cuisinière vers l'avant pour ajuster les pieds arrière.

4. Lorsque la cuisinière est à la hauteur souhaitée, vérifier que l'espace sous la cuisinière est suffisant pour loger la bride antibasculement. Avant de faire glisser la cuisinière à son emplacement final, vérifier qu'il sera possible de faire glisser la bride antibasculement sous la cuisinière et sur le pied de nivellement arrière avant l'installation de la bride antibasculement.

**REMARQUE :** En cas d'utilisation d'un jeu de garnitures, le dessus de la table de cuisson doit être plus haut que le plan de travail. Voir les instructions d'installation fournies avec le jeu de garnitures pour la hauteur correcte.

## Vérifier que la bride antibasculement est bien installée et engagée

1. S'assurer que la cuisinière est bien à son emplacement final.
2. Ôter le panneau d'accès inférieur avant.
3. Au moyen d'une torche électrique, inspecter le dessous de la cuisinière.
4. Vérifier visuellement que le pied arrière de la cuisinière se trouve dans la fente de la bride antibasculement.
5. Replacer le panneau d'accès inférieur avant.

**IMPORTANT :** Si la cuisinière est déplacée pour le réglage des pieds de nivellement, vérifier que la bride antibasculement est bien engagée en répétant les étapes 1 à 5.

## Système d'allumage électronique

### Allumage initial et réglage des flammes de gaz

Un système d'allumage électronique est utilisé à la place des flammes de veille pour l'allumage des brûleurs (table de cuisson et four). Lorsqu'on place le bouton de commande de la table de cuisson à la position d'allumage, le système produit une étincelle pour allumer le brûleur. Tous les brûleurs de la table de cuisson produisent des étincelles, mais seul le brûleur dont le bouton de commande est placé en position d'allumage produira une flamme. La génération d'étincelles se poursuit tant que le bouton de commande est laissé à la position d'allumage.

Lorsqu'on place le bouton de commande du brûleur du four à la position désirée, les étincelles générées provoquent l'inflammation du gaz.

### Contrôle du fonctionnement des brûleurs de la table de cuisson

#### Brûleurs standard de la table de cuisson

Enfoncer et tourner chaque bouton de commande à la position d'allumage.

La flamme doit s'allumer sur le brûleur en moins de 4 secondes. Lors de l'allumage initial du brûleur, le délai d'allumage peut être supérieur à 4 secondes du fait de la présence d'air dans la canalisation de gaz.

#### Si les brûleurs ne s'allument pas correctement :

- Tourner le bouton de commande de la table de cuisson à la position Off (arrêt).
- Vérifier que la cuisinière est branchée sur une prise de courant à 3 alvéoles reliée à la terre. Vérifier si le disjoncteur s'est déclenché ou si un fusible est grillé.
- Vérifier que les robinets d'arrêt de gaz sont en position ouverte.
- Vérifier que les chapeaux de brûleur sont correctement placés sur la base des brûleurs.

Répéter le processus de mise en marche. Si un brûleur ne s'allume pas à ce stade, tourner les boutons de commande sur la position Off (arrêt) et contacter le revendeur ou un dépanneur agréé. Se reporter à la section "Garantie" du guide d'utilisation et d'entretien pour contacter le service de maintenance.

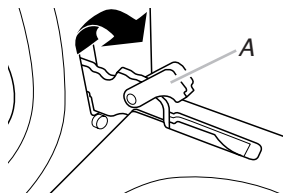
Si la flamme d'un brûleur de la table de cuisson en position "low" (bas) doit être réglée, consulter la section "Réglage de la taille des flammes".

## Porte du four

Il n'est pas recommandé d'enlever la porte du four pour une utilisation normale. Toutefois, si la dépose est nécessaire, s'assurer que le four est éteint et froid. Ensuite, suivre les instructions ci-dessous. **REMARQUE** : La porte du four est lourde.

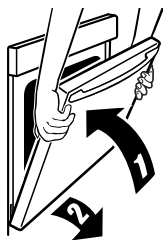
### Démontage :

1. Ouvrir la porte du four complètement.
2. Pincer le loquet de charnière entre les deux doigts et le tirer vers l'avant. Répéter cette opération pour l'autre côté de la porte du four.



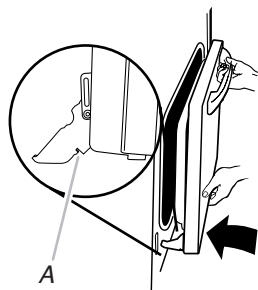
A. Loquet de charnière

3. Fermer la porte du four aussi loin que possible.
4. Soulever la porte du four en la retenant de chaque côté. Tout en la maintenant en position fermée, la dégager du cadre de la porte du four.



### Remontage :

1. Insérer les deux bras de suspension dans la porte. Vérifier que les encoches de charnière sont engagées dans le cadre de la porte du four.

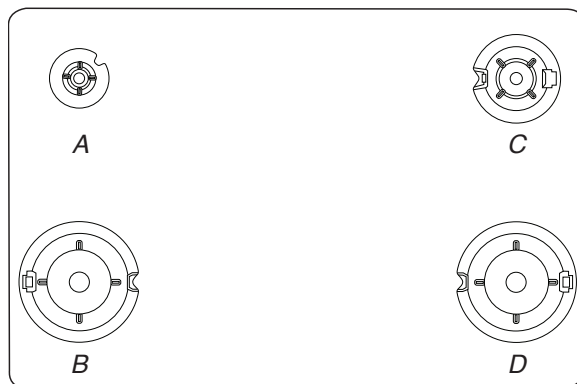


A. Encoche de charnière

3. Ouvrir la porte du four. La porte doit pouvoir s'ouvrir complètement.
4. Remettre les leviers des charnières à la position verrouillée. Vérifier que la porte s'ouvre et se ferme facilement et qu'elle est bien droite en position fermée. Si tel n'est pas le cas, répéter la procédure de dépose et de repose de la porte.

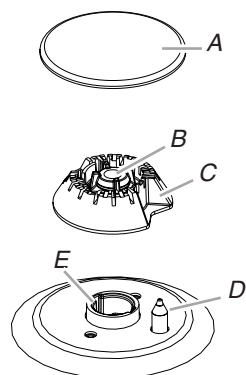
## Achever l'installation

1. Ôter les chapeaux et les bases de brûleur de la table de cuisson du sachet de pièces. Placer les bases de brûleur comme indiqué dans l'illustration suivante :



A. Petit C. Moyen  
B. Grand D. Grand

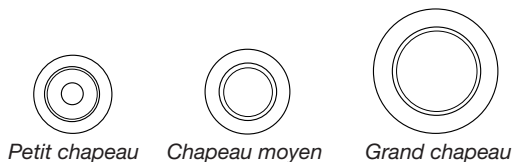
2. Aligner l'ouverture du tube d'arrivée de gaz de la base de brûleur avec le support de gicleur sur la table de cuisson et l'électrode d'allumage avec l'encoche ménagée sur la base du brûleur.



A. Chapeau de brûleur D. Électrode d'allumage  
B. Tube d'arrivée de gaz E. Support du gicleur  
C. Base du brûleur

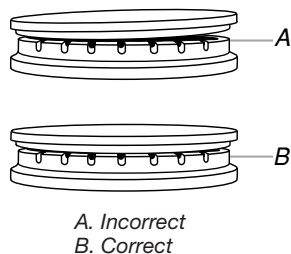
3. Placer les chapeaux de brûleur sur les bases de brûleur correspondantes.

**IMPORTANT** : Les dessous des chapeaux petit et moyen sont différents. Ne pas placer un chapeau de la taille incorrecte sur la base du brûleur.



Petit chapeau Chapeau moyen Grand chapeau

Un chapeau de brûleur correctement placé doit être horizontal. Si les chapeaux de brûleur ne sont pas correctement installés, les brûleurs de surface ne s'allumeront pas. Lorsque le chapeau de brûleur est correctement aligné, il ne balance pas et n'oscille pas.



4. Placer les grilles de brûleur sur les brûleurs et chapeaux.
5. Brancher l'appareil dans une prise adéquate. Voir la section "Spécifications électriques" correspondante.
6. Vérifier que toutes les pièces sont maintenant installées. S'il reste une pièce, passer en revue les différentes étapes pour découvrir laquelle aurait été oubliée.
7. Vérifier la présence de tous les outils.
8. Vérifier que tous les accessoires de la cuisinière sont présents, en particulier les grilles du four. Ces accessoires peuvent se trouver dans les matériaux d'emballage de la cuisinière.
9. Éliminer/recycler tous les matériaux d'emballage.
10. Vérifier que la cuisinière est d'aplomb. Voir la section "Réglage de l'aplomb de la cuisinière".
11. Utiliser une solution d'eau tiède et de nettoyant ménager doux pour éliminer tout résidu de cire laissé par les matériaux d'emballage. Sécher soigneusement avec un chiffon doux. Pour plus d'informations, consulter la section "Entretien de la cuisinière" dans le Guide d'utilisation et d'entretien.
12. Lire le guide d'utilisation et d'entretien.
13. Mettre en marche les brûleurs de surface et le four. Pour des instructions spécifiques concernant l'utilisation de la cuisinière, consulter le Guide d'utilisation et d'entretien.

**REMARQUE :** Ou cours des premières utilisations du four, il est normal qu'il dégage des odeurs et de la fumée.

### Si la cuisinière ne fonctionne pas, contrôler ce qui suit :

- Les fusibles du domicile sont intacts et serrés; le disjoncteur n'est pas déclenché.
- Le robinet d'arrêt du détendeur est en position ouverte.
- La cuisinière est branchée sur une prise reliée à la terre.
- La prise de courant est correctement alimentée.

**IMPORTANT :** Si le tableau de commande de la cuisinière affiche le code d'erreur "F9" ou "F9, E0", cela peut signifier que le câblage de la prise électrique est défectueux. Déconnecter la source de courant électrique et contacter un électricien qualifié pour qu'il contrôle le circuit d'alimentation électrique.

14. Après 5 minutes de fonctionnement de la cuisinière, évaluer le niveau de chaleur. Si la cuisinière est froide, arrêter la cuisinière et déterminer si le robinet d'arrêt d'alimentation en gaz est ouvert.
  - Si le robinet d'arrêt de l'alimentation en gaz est fermé, l'ouvrir, puis répéter le test de 5 minutes décrit ci-dessus.
  - Si le robinet d'arrêt de l'alimentation en gaz est ouvert, le fermer et contacter un technicien qualifié.

### Pour obtenir de l'assistance ou une visite de service :

Se reporter à la section "Garantie" du guide d'utilisation et d'entretien pour contacter le service de maintenance.

# CONVERSIONS POUR CHANGEMENT DE GAZ

Les conversions pour changement de gaz naturel à propane ou de propane à gaz naturel doivent être effectuées par un installateur qualifié.

## ⚠ AVERTISSEMENT



### Risque d'explosion

Utiliser une canalisation neuve d'arrivée de gaz approuvée par la CSA International.

Installer un robinet d'arrêt.

Bien serrer chaque organe de connexion de la canalisation de gaz.

En cas de connexion au gaz propane, demander à une personne qualifiée de s'assurer que la pression de gaz ne dépasse pas 36 cm (14 po) de la colonne d'eau.

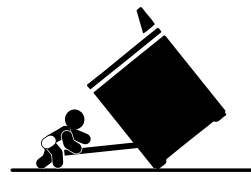
Par personne qualifiée, on comprend :

le personnel autorisé de chauffage,  
le personnel autorisé d'une compagnie de gaz, et  
le personnel d'entretien autorisé.

Le non-respect de ces instructions peut causer un décès, une explosion ou un incendie.

## Conversion pour l'alimentation au propane

## ⚠ AVERTISSEMENT



### Risque de basculement

Un enfant ou une personne adulte peut faire basculer la cuisinière, ce qui peut causer un décès.

Fixer la bride antibasculement au plancher ou au mur, conformément aux instructions d'installation.

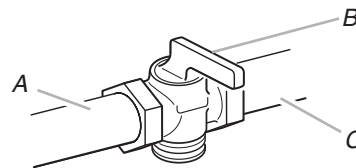
Faire glisser de nouveau la cuisinière de façon à ce que le pied arrière de la cuisinière se trouve dans la fente de la bride antibasculement.

Réengager la bride antibasculement si la cuisinière a été déplacée.

Ne pas faire fonctionner la cuisinière si la bride antibasculement n'est pas installée et engagée.

Le non-respect de ces instructions peut causer un décès ou des brûlures graves aux enfants et aux adultes.

1. Tourner le robinet d'arrêt manuel pour le placer à la position de fermeture.

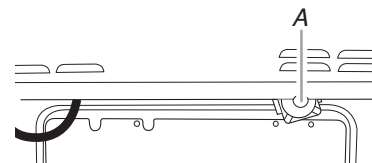


- A. Vers la cuisinière  
B. Robinet d'arrêt manuel à la position "fermée"  
C. Canalisation d'alimentation en gaz

2. Débrancher la cuisinière ou déconnecter la source de courant électrique.

## Conversion du détendeur de gaz (du gaz naturel au gaz propane)

1. Écarter la cuisinière du mur.
2. Localiser le détendeur situé dans le coin inférieur droit à l'arrière de la cuisinière.

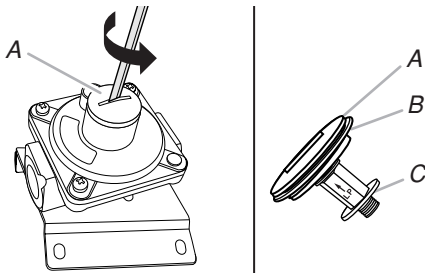


A. Détendeur

**IMPORTANT** : Ne pas enlever le détendeur.

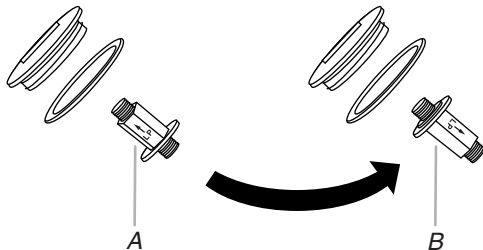
3. Retirer le panneau inférieur avant de la cuisinière.
4. Débrancher les connexions électriques du moteur du ventilateur.
5. Débrancher le soufflet du ventilateur à évacuation par le bas de la cuisinière.

6. Dévisser le couvercle métallique et dévisser le capuchon du détendeur bleu. Laisser la rondelle en place.



A. Couvercle métallique  
B. Rondelle  
C. Capuchon du détendeur bleu

7. Retourner le capuchon du détendeur bleu à l'envers et le revisser en place dans le couvercle métallique.

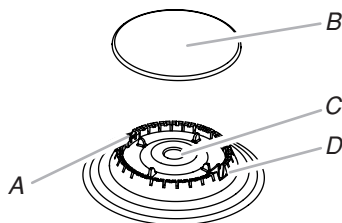


A. Position pour gaz naturel  
B. Position pour gaz propane

8. Remettre le couvercle métallique en place en le vissant solidement. Ne pas serrer excessivement.

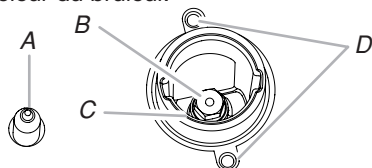
### Conversion des brûleurs de surface (du gaz naturel au gaz propane)

1. Enlever les grilles de brûleur si elles sont installées.
2. Ôter le chapeau de brûleur.
3. Ôter la base du brûleur.



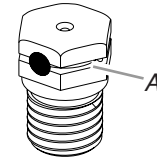
A. Électrode d'allumage  
B. Chapeau du brûleur  
C. Ouverture du tube de gaz  
D. Base du brûleur

4. Appliquer du ruban adhésif de masquage à l'extrémité d'un tourne-écrou de  $\frac{3}{32}$ " (7 mm) pour retenir le gicleur du brûleur dans le tourne-écrou durant l'extraction. Placer le tourne-écrou sur le gicleur; tourner dans le sens antihoraire et soulever pour enlever le gicleur. Conserver à part le gicleur du brûleur.



A. Électrode d'allumage  
B. Gicleur  
C. Support du gicleur  
D. Vis

5. Retirer les gicleurs fournis dans le sachet de documentation situé dans le four. Chaque gicleur est marqué d'un code d'identification gravé et d'un ou deux points colorés, et comporte une rainure dans la zone hexagonale. Remplacer le gicleur pour gaz naturel par le gicleur pour propane correct.



A. Rainure pour gaz propane

Consulter le tableau qui suit permet de sélectionner la capacité correcte de gicleur pour propane, et consulter la carte du support de gicleur pour connaître l'emplacement correct.

### Tableau de sélection des gicleurs pour gaz propane pour les brûleurs de surface

Capacité/ type de brûleur	Couleur	Taille (mm)	Identifiant	Emplacement
15 000 BTU/ Superposé*	Argent	1,05	L105	Avant gauche
	Noir/ Orange	0,32	L32	
14 200 BTU/ Ultra/ Superposé*	Argent	1,05	L105	Avant gauche/ avant droit
8 000 BTU/ Semi-rapide	Rouge/ Orange	0,85	L85	Arrière droit/ central
5 000 BTU/ Auxiliaire	Rouge/ Bleu	0,65	L65	Arrière gauche
1 200 BTU/ Superposé/ Mijotage*	Noir/ Orange	0,32	L32	Avant gauche (mijotage)

\*Pas disponible sur tous les ensembles/modèles.

**REMARQUE :** Voir la plaque signalétique située sur le cadre du four, derrière le coin supérieur droit de la porte du four pour connaître la taille de gicleur à utiliser pour chaque brûleur (selon sa position).

6. Placer les gicleurs pour gaz naturel dans le sachet prévu à cet effet.  
**IMPORTANT :** Conserver les gicleurs pour gaz naturel en cas de réinstallation ultérieure pour gaz naturel.
7. Réinstaller la base du brûleur.
8. Réinstaller le chapeau de brûleur.
9. Répéter les étapes 1 à 7 pour les autres brûleurs.

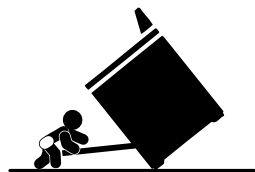
### Achever l'installation (du gaz naturel au gaz propane)

1. Pour le raccordement correct de la cuisinière à l'alimentation en gaz, se reporter à la section "Raccordement au gaz".
2. Pour allumer et utiliser correctement les brûleurs, voir la section "Système d'allumage électronique".
3. Pour régler la flamme des brûleurs, se reporter à la section "Réglage de la taille des flammes".  
**IMPORTANT :** Il peut être nécessaire de modifier le réglage des flammes à la position du débit thermique minimum pour chaque brûleur de la table de cuisson.  
Il est très important de vérifier l'établissement de flammes correctes sur la table de cuisson. Les flammes d'un brûleur alimenté au gaz naturel ne comportent pas de pointe jaune.
4. Voir le paragraphe "Achever l'installation" de la section "Instructions d'installation" de ce manuel pour achever cette procédure.

**IMPORTANT :** S'assurer de bien conserver les gicleurs qui ont été remplacés au cours de la conversion.

## Conversion pour l'alimentation au gaz naturel

### ⚠ AVERTISSEMENT



#### Risque de basculement

Un enfant ou une personne adulte peut faire basculer la cuisinière, ce qui peut causer un décès.

Fixer la bride antibasculement au plancher ou au mur, conformément aux instructions d'installation.

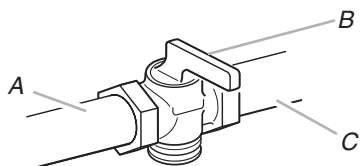
Faire glisser de nouveau la cuisinière de façon à ce que le pied arrière de la cuisinière se trouve dans la fente de la bride antibasculement.

Réengager la bride antibasculement si la cuisinière a été déplacée.

Ne pas faire fonctionner la cuisinière si la bride antibasculement n'est pas installée et engagée.

Le non-respect de ces instructions peut causer un décès ou des brûlures graves aux enfants et aux adultes.

1. Tourner le robinet d'arrêt manuel pour le placer à la position de fermeture.

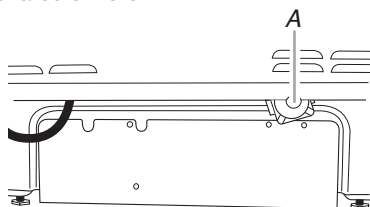


A. Vers la cuisinière  
B. Robinet d'arrêt manuel à la position "fermée"  
C. Canalisation d'alimentation en gaz

2. Débrancher la cuisinière ou déconnecter la source de courant électrique.

### Conversion du détendeur de gaz (du gaz propane au gaz naturel)

1. Écarter la cuisinière du mur.
2. Localiser le détendeur situé dans le coin inférieur droit à l'arrière de la cuisinière.

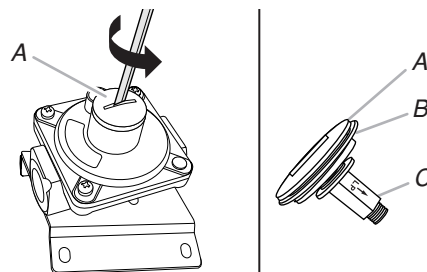


A. Détendeur

**IMPORTANT :** Ne pas enlever le détendeur.

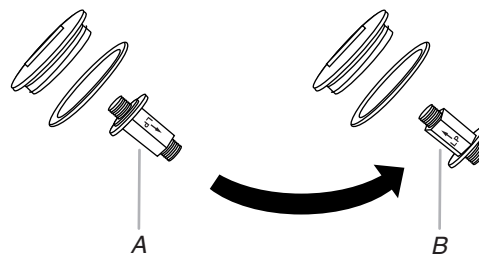
3. Retirer le panneau inférieur avant de la cuisinière.
4. Débrancher les connexions électriques du moteur du ventilateur.
5. Débrancher le soufflet du ventilateur à évacuation par le bas de la cuisinière.

6. Dévisser le couvercle métallique et dévisser le capuchon du détendeur bleu. Laisser la rondelle en place.



A. Couvercle métallique  
B. Rondelle  
C. Capuchon du détendeur bleu

7. Retourner le capuchon du détendeur bleu à l'envers et le revisser en place dans le couvercle métallique.

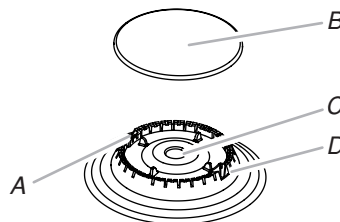


A. Position pour gaz propane  
B. Position pour gaz naturel

8. Remettre le couvercle métallique en place en le vissant solidement. Ne pas serrer excessivement.

### Conversion des brûleurs de surface (du gaz propane au gaz naturel)

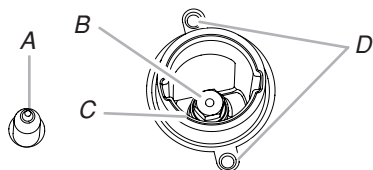
1. Enlever les grilles de brûleur si elles sont installées.
2. Ôter le chapeau de brûleur.
3. Ôter la base du brûleur.



A. Électrode d'allumage  
B. Chapeau du brûleur  
C. Ouverture du tube de gaz  
D. Base du brûleur

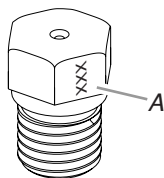


4. Appliquer du ruban adhésif de masquage à l'extrémité d'un tourne-écrou de  $\frac{9}{32}$ " (7 mm) pour retenir le gicleur du brûleur dans le tourne-écrou durant l'extraction. Placer le tourne-écrou sur le gicleur; tourner dans le sens antihoraire et soulever pour enlever le gicleur. Conserver à part le gicleur du brûleur.



A. Électrode d'allumage  
B. Gicleur  
C. Support du gicleur  
D. Vis

5. Chaque gicleur est marqué d'un code d'identification gravé sur le côté. Remplacer le gicleur pour propane par le gicleur correct pour gaz naturel.



A. Chiffre gravé

Le tableau qui suit permet de sélectionner le gicleur pour gaz naturel correct pour chaque brûleur.

**Tableau de sélection des gicleurs pour gaz naturel**

Puissance thermique	Couleur	Diamètre (mm)	Identifiant
19 000 BTU (ST)	Blanc/Gris	1,84	184
17 000 BTU (ST)	N/A	1,75	175
17 000 BTU	Blanc/Bleu	1,90	190
15 000 BTU	Blanc/Vert	1,80	180
9 200 BTU	Blanc/Noir	1,35	135
8 000 BTU	Blanc/Jaune	1,25	125
5 000 BTU	Blanc/Orange	1,00	100
1 200 BTU	Noir	0,52	52

**REMARQUE :** Voir la plaque signalétique située sur le cadre du four, derrière le coin supérieur droit de la porte du four pour connaître la taille de gicleur à utiliser pour chaque brûleur (selon sa position).

6. Placer les gicleurs pour gaz propane dans le sachet prévu à cet effet.

**IMPORTANT :** Conserver les gicleurs pour gaz propane en cas de réinstallation ultérieure pour gaz propane.

7. Réinstaller la base du brûleur.  
8. Réinstaller le chapeau de brûleur.  
9. Répéter les étapes 1 à 7 pour les autres brûleurs.

### Achever l'installation (du gaz propane au gaz naturel)

1. Pour le raccordement correct de la cuisinière à l'alimentation en gaz, se reporter à la section "Raccordement au gaz".
2. Pour allumer et utiliser correctement les brûleurs, voir la section "Système d'allumage électronique".
3. Pour régler la flamme des brûleurs, se reporter à la section "Réglage de la taille des flammes".

**IMPORTANT :** Il peut être nécessaire de modifier le réglage des flammes à la position du débit thermique minimum pour chaque brûleur de la table de cuisson.

Il est très important de vérifier l'établissement de flammes correctes sur les brûleurs de la table de cuisson. Les flammes d'un brûleur alimenté au gaz naturel ne comportent pas de pointe jaune.

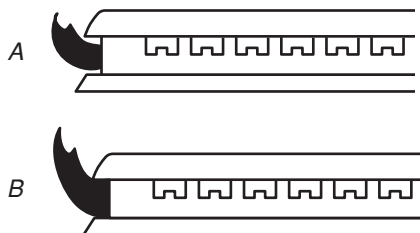
4. Voir le paragraphe "Achever l'installation" de la section "Instructions d'installation" de ce manuel pour achever cette procédure.

**IMPORTANT :** S'assurer de bien conserver les gicleurs qui ont été remplacés au cours de la conversion.

## Réglage de la taille des flammes

### Réglage de la flamme des brûleurs de surface

Régler la taille des flammes sur les brûleurs de la table de cuisson. Pour le réglage au débit thermique minimum, on doit observer des flammes stables bleues de ¼" (6 mm). Les flammes d'un brûleur alimenté au propane comportent une pointe légèrement jaune.



A. Débit thermique minimum  
B. Débit thermique maximum

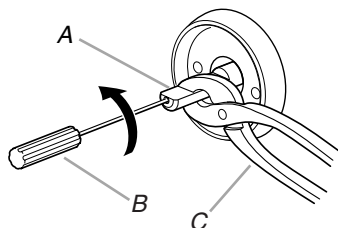
### Réglage des brûleurs standards :

La vis de réglage au centre de la tige de commande du robinet permet de régler la taille des flammes. La tige de commande est située directement au-dessous du bouton de commande.

#### S'il est nécessaire de régler la taille des flammes pour le débit thermique minimum :

1. Allumer un brûleur et le tourner au réglage le plus bas.
2. Ôter le bouton de commande.

Immobiliser la tige de commande avec une pince. Utiliser un petit tournevis à lame plate pour faire tourner la vis située au centre de la tige de commande; ajuster les flammes à la taille désirée. La rotation de la vis dans le sens horaire augmente la hauteur de flamme. La rotation de la vis dans le sens antihoraire la diminue.



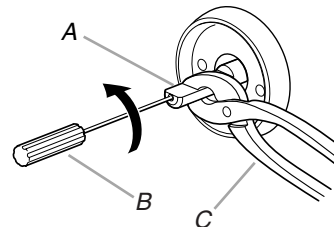
A. Tige du bouton de commande  
B. Tournevis  
C. Pince

3. Réinstaller le bouton de commande.
4. Tester la flamme en tournant le bouton de commande pour le faire passer de la position "Low" (basse) à la position "High" (élevée) et observer les flammes pour chaque réglage.
5. Répéter les étapes ci-dessus pour chaque brûleur.

### Réglage du brûleur double (sur certains modèles)

1. Allumer le brûleur et le tourner au réglage le plus bas auquel les brûleurs interne et externe puissent rester allumés.
2. Ôter le bouton de commande.

Immobiliser la tige de commande avec une pince. Utiliser un petit tournevis à lame plate pour faire tourner la vis située au centre de la tige de commande; ajuster les flammes à la taille désirée. La rotation de la vis dans le sens horaire augmente la hauteur de flamme. La rotation de la vis dans le sens antihoraire la diminue.



A. Tige du bouton de commande  
B. Tournevis  
C. Pince

3. Réinstaller le bouton de commande.
4. Tester la flamme en tournant le bouton de commande pour le faire passer de la position "Low" (basse) à la position "High" (élevée) et observer les flammes pour chaque réglage.



