

MASTERPIECE
30" WALL HOOD WITH BLOWER
HMWB30FS

Thermador® | *An American Icon*®

FEATURES & BENEFITS

Powerful yet quiet internal blower can vent up to 600 CFM.

Stainless steel filters efficiently capture grease and are dishwasher safe.

Classic edgy design perfectly coordinates with Thermador's entire Masterpiece™ Series family of kitchen appliances.

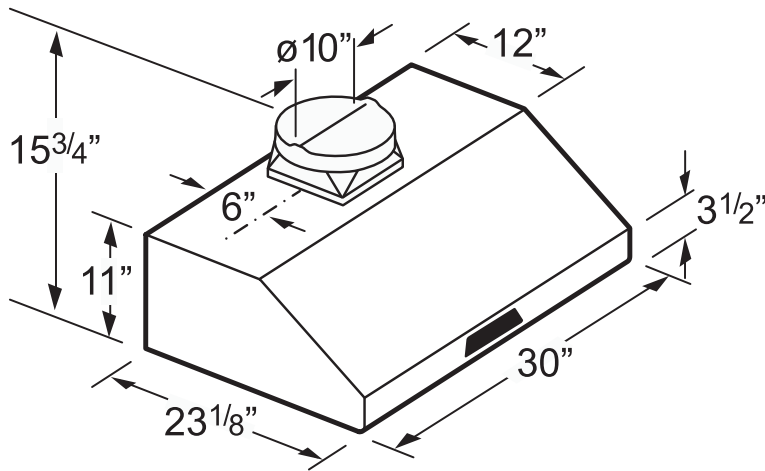
Halogen lighting brilliantly illuminates the cooking surface.

Easy-access electronic controls feature a 7-segment display for easy monitoring.



MASTERPIECE
30" WALL HOOD WITH BLOWER
HMWB30FS

Thermador® | *An American Icon*®



SKU	HMWB30FS
Available Sizes (Width)	30", 36"
Hood Dimensions	30" W x 11" H x 23 1/8"D
Color / Finish	Brushed Stainless Steel
Installation Type	Wall
Blower Type	600 CFM Internal Blower
HOOD INFORMATION	
Duct Size At Discharge	10" Round
Ducting Direction	Vertical
Halogen Lights	2 x 50 Watt
Filter Type	Low-profile Stainless Steel Baffle
Number of Dishwasher Safe Filters	2
Backdraft Damper	Included with Hood
Recirculation Kit (sold separately)	RECIRC30FS
Minimum Height Above Cooktop	30" Electric, 30" Gas
Control Type	Electronic Button
Fan Speeds	3 Speeds + Intensive
Welded and Polished Seams	yes
Recommended for these Thermador Cooktops and Ranges	Non-professional gas, electric, or induction cooktops
MOTOR INFORMATION	
Required Power Supply	15 Amps (min) 120 VAC, 60 Hz
Motor	Double Inlet Centrifugal Blower
OPTIONAL ACCESSORIES	
6" Stainless Chimney Extension	DC_ _US (30, 36, 48)
12" Stainless Chimney Extension	DCT_ _US (30, 36, 48)
Replacement Charcoal Filter Kit (for hoods used in recirculation mode only)	CHFILT3036

