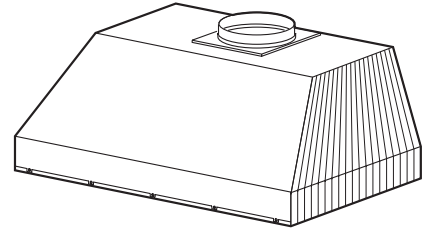


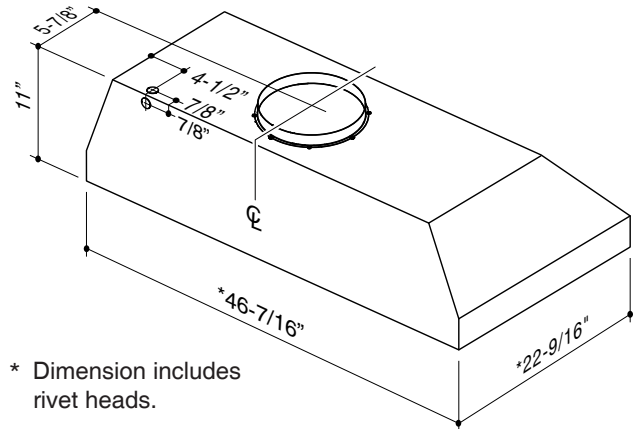
CP37 SERIES RANGE HOODS



All-in-one design includes liner, blower, filtration, controls, lighting, and damper for easy installation into custom canopy hoods. Intended for all residential applications, including commercial-style cooking surfaces.

FEATURES

- Cabinet mount - custom applications
- Finish: 430 Stainless Steel #4 Brushed
- Width: 46-3/8"
- Depth: 22-1/2"
- 10" round duct connector with backdraft damper
- Two-setting cooktop lighting (Uses two 50W, GU10 halogen lamps. Bulbs included.)
- Easily accessible, dishwasher safe stainless steel baffle filters with handles
- Infinite speed rotary blower control with on-off rocker switch
- Powerful, centrifugal blower with high-efficiency motor produces 1200 CFM
- Quiet, normal speed operation
- Heat Sentry™ - automatically turns blower to high speed when excess cooking heat is detected



* Dimension includes rivet heads.



HVI-2100 CERTIFIED RATINGS comply with new testing technologies and procedures prescribed by the Home Ventilating Institute, for off-the-shelf products, as they are available to consumers. Product performance is rated at 0.1 in. static pressure, based on tests conducted in a state-of-the-art test laboratory. Sones are a measure of humanly-perceived loudness, based on laboratory measurements.

SPECIFICATIONS

| VOLTS | AMPS | CFM | SONES | DUCT |
|-------|------|--------------------------------------|-------------|-----------|
| 120 | 9.0 | 1200 (high speed) 380 (low speed) | 13.5 2.0 | 10" round |

Best Hartford, Wisconsin www.BestRangeHoods.com 800-558-1711

| REFERENCE | QTY. | REMARKS | Project |
|-----------|------|---------|--------------|
| | | | Location |
| | | | Architect |
| | | | Engineer |
| | | | Contractor |
| | | | Submitted by |
| | | | Date |

CP37 SERIES HOOD SYSTEM

