

1215RSOD • 15" Outdoor Refrigerator • Outdoor Series

FEATURES & BENEFITS



STAINLESS SOLID



STAINLESS SOLID (LOCK)

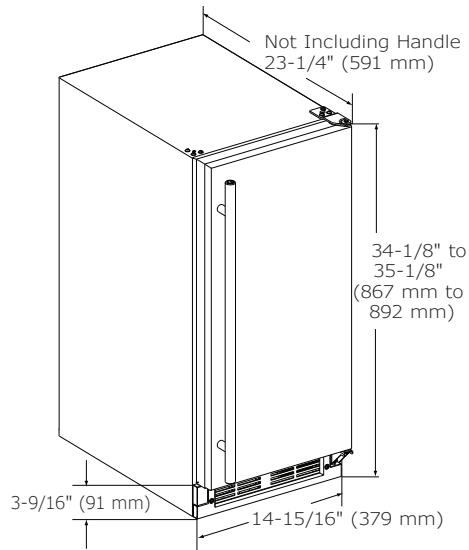
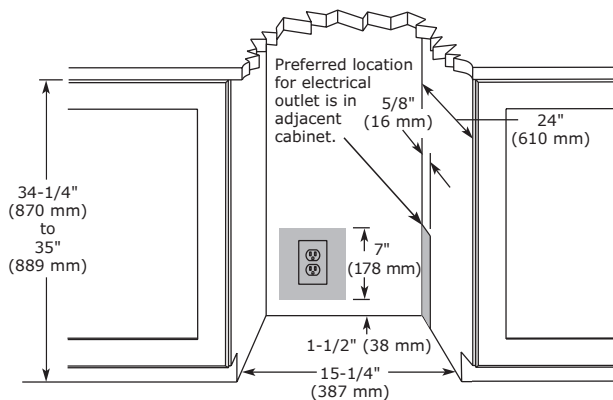
PERFORMANCE	<ul style="list-style-type: none"> • Overall volume of 2.9 cu ft holds up to 57 bottles (12 oz) or 92 cans (12 oz) • Digital Touch Pad Control is conveniently located on upper face of unit • Temperature range: 34°F - 45°F • Passive cooling system
INTERIOR/EXTERIOR	<ul style="list-style-type: none"> • White interior is illuminated with LED lighting • Three removable tempered glass shelves • Standard professional stainless steel handle is interchangeable with commercial handle accessory • Full stainless steel cabinet and door are deemed suitable for outdoor use by UL • Door swing is field reversible • Door lock model available
INTEGRATION	<ul style="list-style-type: none"> • Unit is designed to be built-in or can be freestanding • Four independently adjustable leveling legs provide a precise undercounter fit

MODEL DETAILS

Model	Voltage/Hz	Door Swing	Finish	Shipping Weight
U-1215RSOD-00B	115 / 60	Field Reversible	Stainless Solid	83 lb
U-1215RSOD-13A	115 / 60	Field Reversible	Stainless Solid (Lock)	83 lb

ACCESSORIES

Model	Description	Finish	Shipping Weight
80-54247-00	Professional Door Handle, 1 1/4" Diameter	Stainless	2 lb
80-54214-00	Commercial Door Handle, 7/8" Diameter	Stainless	2 lb

Outdoor Series • 15" Outdoor Refrigerator • 1215RSOD
DIMENSIONS

CABINET CUT-OUT

SPECIFICATIONS

Model	1215RSOD
Amps: Running	1.2
Capacity: Bottle (12 oz)	57
Capacity: Can (12 oz)	92
Capacity: Volume (cu ft)	2.9
Capacity: Wine Bottle (750 ml)	N/A
Control Type	Digital Touch Pad
Dimensions: Depth	23 1/4" / 591 mm
Dimensions: Height	34 1/8" / 867 mm
Dimensions: Width	14 15/16" / 379 mm
Energy Consumption: Avg. Per Year	225 kWh
ENERGY STAR	ENERGY STAR / Tier 3
Product Weight: Max	76 lb
Refrigerant Type	R600a
Sabbath (Star K Certified)	Yes
Temperature Range	34°F - 45°F

INSTALLATION NOTES

When installing adjacent to wall, ensure 2-1/2" clearance on hinged side for 90° door opening, allowing ample room for door handle.

Cutout includes the additional 1/4" width overall to ensure proper installation.

No additional clearance around sides, top or rear of unit is needed for ventilation.

Do not obstruct front grille air flow.

COOLING SYSTEM

ELECTRICAL REQUIREMENTS

This unit requires a grounded, polarized 115 VAC, 60 Hz, 15 A power supply (normal household current).