



Stainless



Overlay

## 2115WC

### 2000 SERIES

#### FEATURES

##### PERFORMANCE

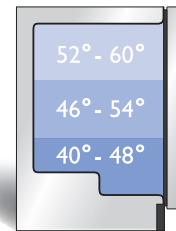
- Wine bottle capacity of up to 24 bottles (.75L)
- Touch glass digital control featuring easy view command center manages key functions and provides user alerts such as an audible door open alarm
- Digital controlled triple temperature zone
- Temperature range 40 to 60°F
- Stable temperature, vibration safe environment and 50% relative humidity support long term storage
- Sabbath / Blackout mode turns off all lighting and controls display and automatically resets after 36 hours
- UL residential and commercial listings

##### INTERIOR / EXTERIOR

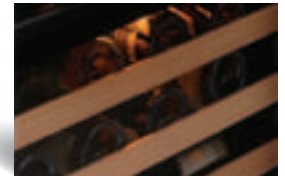
- 2 wine racks will fit larger diameter wine bottles, including Champagne bottles
- Lighted black interior optimizes elegant display of wines and can be manually turned on for display with door closed; automatically shuts off after four hours
- Solid beech wood trimmed, full extension black vinyl coated wine racks allow for full access to stored wines and lower display rack allows for elegant wine presentation
- Standard commercial stainless steel handle is interchangeable with professional handle option on stainless steel model
- Self-closing door ensures a positive door seal and prevents door bounce back
- Stainless and overlay models have a field reversible door
- LowE coated, argon gas filled thermopane glass door provides protection from potentially harmful UV rays and added insulating energy efficiency
- Black vinyl clad textured cabinet is more resistant to scratching, peeling and flaking

##### INTEGRATION

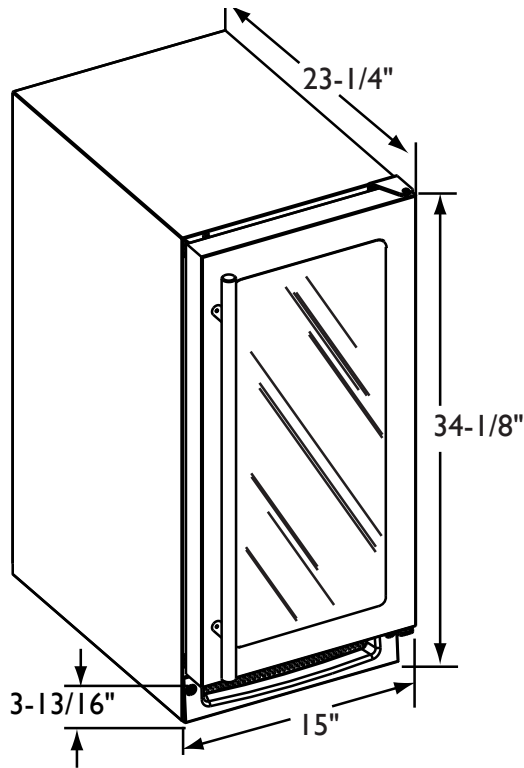
- Solid beech wood trim on wine racks can be stained to match surrounding cabinetry
- Unit can be built-in or freestanding providing a custom aesthetic
- Overlay model accepts a full 3/4" overlay frame and can be fully integrated into all styles of cabinetry with zero clearance
- Allow a 2-1/2" clearance on hinged side for 90° door opening when installed adjacent to a wall (for stainless steel model)
- Allow 1/4" width overall for proper installation (see backside for details)
- No additional clearance around sides, top or rear of unit is needed for ventilation
- Durable, factory installed level legs provide a more precise undercounter fit
- Do not obstruct front grille air flow



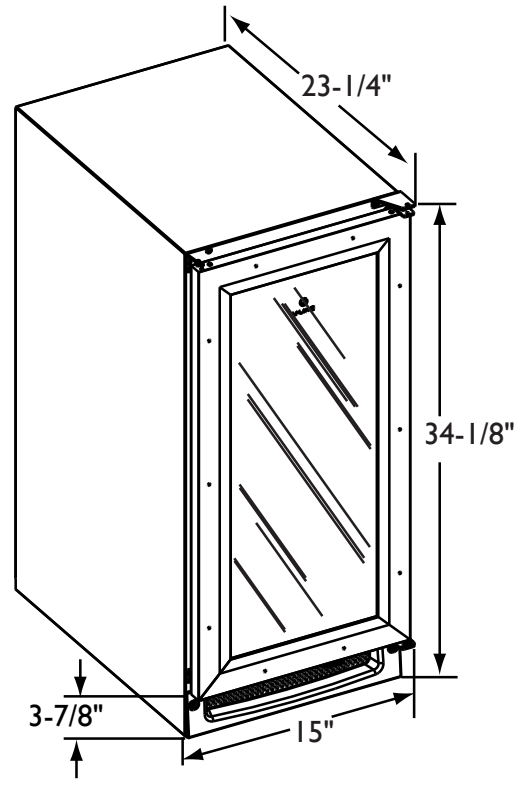
Triple Zone System featured in 2115WC.



For elegant presentation of your wine collection, all U-Line Wine Captain® Models have an illuminated interior.



2115WCS Stainless Model



2115WCOL Overlay Model  
\* Not including wood overlay frame

DIMENSIONS AND SPECIFICATIONS

OVERALL DIMENSIONS

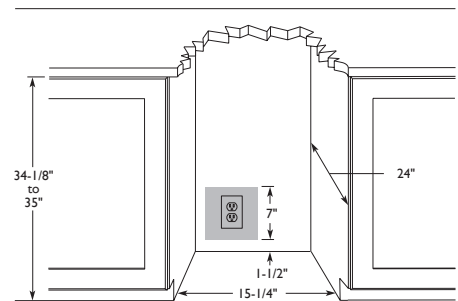
Height	34-1/8" (86.6)
Width	15" (38.1)
Depth	23-1/4" (59.0)
With stainless steel handle	25-1/8" (63.8)

Shipping weight:	
Overlay model	112 lbs (51 kg)
Stainless model	114 lbs (52 kg)

Running amps	2.4
Maximum start-up amps	9.8
Amps pertain to voltage rating	110/115 volt, 60 Hz

Capacities:	
Wine bottle storage (0.75L)	Up to 24

2115WC	
Stainless	U-2115WCS-00
Overlay	U-2115WCOL-00



Please visit [www.u-line.com](http://www.u-line.com) for installation guide.  
All specifications are subject to change without notice.

