

# FRIGIDAIRE GALLERY®

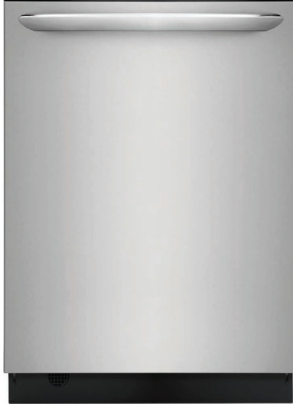
FGID2468UF  
FGID2468UD

Available Colors : Stainless Steel, Black Stainless Steel

Dishwasher

Version : 05/19

24" Built-In Dishwasher with Dual OrbitClean® Wash System



## Product Specifications

### Exterior

|                        |            |
|------------------------|------------|
| Door Latch             | Pull Latch |
| Door Type              | Stay-Put   |
| Door and Handle Design | Yes        |

### Certifications & Approvals

|                        |             |
|------------------------|-------------|
| CSA Listed             | Yes         |
| ENERGY STAR® Certified | Yes         |
| NSF® Certified         | Yes         |
| UL Listed              | 1-UL Listed |

### General Specifications

|                        |                   |
|------------------------|-------------------|
| Energy Efficiency Tier | Tier I            |
| Leveling Legs          | 4                 |
| Shipping Weight (lbs)  | 83                |
| Sound Level (dBA)      | 49                |
| Sound Package          | Silent Design 1   |
| Water Inlet Location   | Left Bottom Front |

### Dishwasher: Rack Lower

|                   |                    |
|-------------------|--------------------|
| Height Clearance  | 11" - 13"          |
| Rack Options      | 2                  |
| Silverware Basket | 3-Piece Splittable |

### Dishwasher: Rack System

|              |                  |
|--------------|------------------|
| Rack Coating | Nylon TuffRacks™ |
|--------------|------------------|

### Dimensions: Exterior

|                         |         |
|-------------------------|---------|
| Depth(w/ 90° Door Open) | 49-1/4" |
| Height                  | 35-1/4" |
| Height (Min)            | 33-1/2" |
| Width                   | 24"     |

### Dimensions: Cut-Out

|        |     |
|--------|-----|
| Depth  | 25" |
| Height | 35" |
| Width  | 24" |

### Dishwasher: Options

|                  |     |
|------------------|-----|
| Heat/No Heat Dry | Yes |
| Hi-Temp Wash     | Yes |
| NSF® Certified   | Yes |

### Electrical Specifications

|                  |           |
|------------------|-----------|
| Amps @ 120 Volts | 10.0      |
| Voltage Rating   | 120V 60Hz |

### Dishwasher

|                            |                                 |
|----------------------------|---------------------------------|
| Automatic Temperature Ctl  | Yes                             |
| Capacity                   | 14                              |
| Drying System              | SaharaDry™                      |
| Filter                     | Stainless Steel                 |
| Filter Trap                | Removable                       |
| Filtered Water (%)         | 100                             |
| Food Disposer              | Yes                             |
| Hard Food Disposer         | Hard Food Disposer & Filtration |
| Intergal Air Gap on Supply | Yes                             |
| Interior                   | Graystone                       |
| Multi Speeds               | 3                               |
| Rinse Aid Dispenser        | Adjustable with Indicator       |
| Satellite Spray Arm        | OrbitClean®                     |
| Smart Soil Sensor          | Yes                             |
| Tub Design                 | Tall-Tub Design                 |
| Wash Levels                | 5                               |
| Wash System                | Direct Feed                     |
| Water Pressure - PSI       | 20 - 120                        |
| Water Usage (Gallons)      | 4.9 - 8.5 Normal Cycle          |

### Dishwasher: Cycles

|                  |     |
|------------------|-----|
| China Crystal    | Yes |
| Upper Rack       | Yes |
| Energy Saver     | Yes |
| Favorite         | Yes |
| Heavy            | Yes |
| Normal           | Yes |
| Number of Cycles | 8   |
| Quick            | Yes |
| Rinse Only       | Yes |

### Controls

|                     |                  |
|---------------------|------------------|
| Control Lock        | Yes              |
| Control Type        | Fully-Integrated |
| Delay Start - hours | 1 - 24 Hours     |
| Digital Display     | Yes              |

### Dishwasher: Rack Upper

|                   |             |
|-------------------|-------------|
| Cup Shelf         | 2           |
| Folding - NotElux | Yes         |
| Height Clearance  | 8" - 7-3/8" |
| Rack Handles      | Yes         |

Note: For planning purposes only. Always consult local and national electric, gas and plumbing codes. Refer to Product Installation Guide for detailed installation instructions on the web at [frigidaire.com](http://frigidaire.com) / [frigidaire.ca](http://frigidaire.ca). Specifications subject to change. Accessories information available on the web at [frigidaire.com](http://frigidaire.com) / [frigidaire.ca](http://frigidaire.ca).

# FRIGIDAIRE GALLERY

FGID2468UF  
FGID2468UD

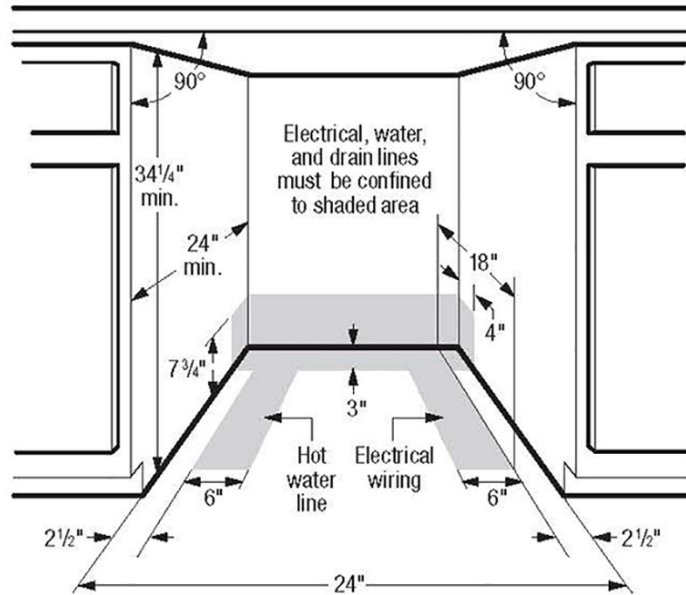
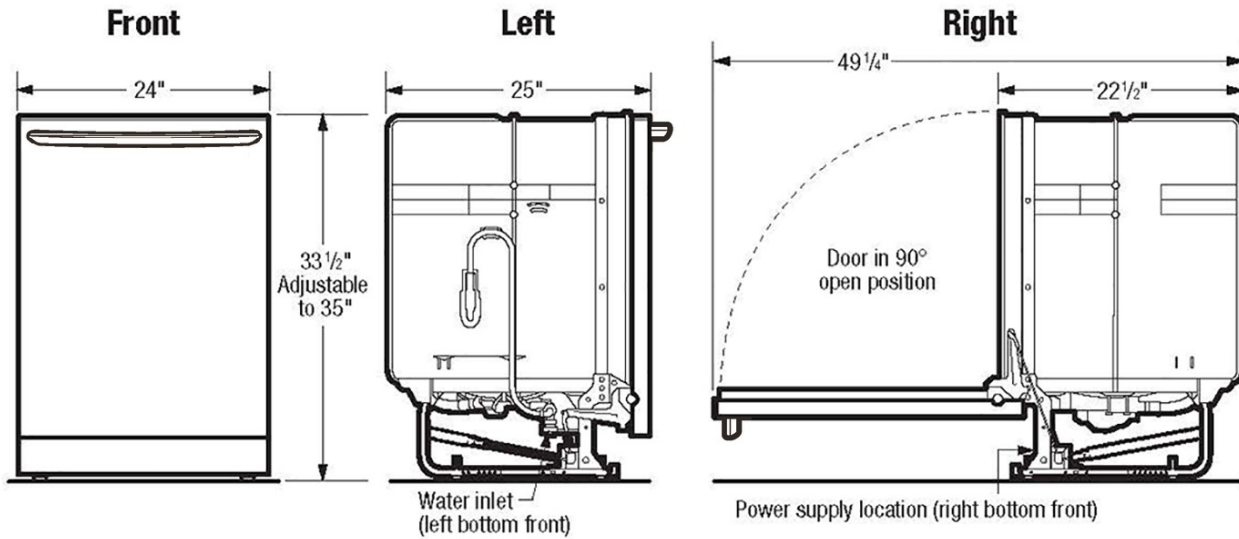
Available Colors : Stainless Steel, Black Stainless Steel

Dishwasher

Version : 05/19

24" Built-In Dishwasher with Dual OrbitClean® Wash System

## Installation Drawing



Note: For planning purposes only. Always consult local and national electric, gas and plumbing codes. Refer to Product Installation Guide for detailed installation instructions on the web at [frigidaire.com / frigidaire.ca](http://frigidaire.com/frigidaire.ca). Specifications subject to change. Accessories information available on the web at [frigidaire.com / frigidaire.ca](http://frigidaire.com/frigidaire.ca).