

# FRIGIDAIRE

PROFESSIONAL®

## FPBS2778UF

## FRENCH DOOR REFRIGERATOR

26.7 CU. FT.

**Smudge-Proof™**  
STAINLESS STEEL



AVAILABLE  
COLORS



Stainless

### PRODUCT DIMENSIONS

|                                  |         |
|----------------------------------|---------|
| Height (Cabinet Including Hinge) | 69-7/8" |
| Width                            | 36"     |
| Depth (Including Door)           | 32"     |

### MORE EASY-TO-USE FEATURES

#### Full-Width Deli Drawer

Easily store anything from meats and cheeses to sheet cakes and large platters in our fully-extendable, large capacity deli drawer.

#### Multi-level LED Lighting

Find fresh foods quickly with bright multi-level LED Lighting.

#### EvenTemp™ Cooling System

Our EvenTemp™ cooling system keeps food cool without breaking a sweat, distributing air effectively so groceries stay at the right temperature.

#### SpaceWise® Freezer Organization System

Our SpaceWise® Freezer Organization System keeps frozen foods organized and accessible with deep freezer storage and an adjustable divider.

#### Exterior Water and Ice Dispenser

Easily access fresh drinking water and cold ice without opening your refrigerator or freezer.

#### PureSource Ultra® II Ice & Water Filtration

Remove 99.3% of lead and 99.9% of cysts from your household water with a genuine water filter.

#### Dual Ice

Be ready for any occasion with two ice makers.

#### PureAir Ultra® II Air Filter

Fresh air offers great taste. Our PureAir Ultra® II air filters effortlessly keep the food in your refrigerator tasting fresh by removing odor particles with fast-acting, highly absorbent carbon technology.

### SIGNATURE FEATURES



#### SpaceWise® Organization System

Our SpaceWise® Organization System makes it easy to keep food organized and accessible, with a flip-up shelf to fit taller items with ease, plus adjustable door bins and shelves that offer storage capacity and flexibility.



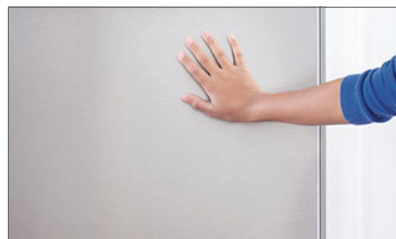
#### CrispSeal™ Crispers

Humidity-controlled CrispSeal™ crispers keep produce fresher longer, so you can waste less and save money.



#### Professional-Grade Design

Durable hardware and professional-grade design features including smoky door bins, door bin liners, edge-to-edge glass shelving with metallic trim, and a distinctive handle lend a high-quality look to your kitchen.



#### Smudge-Proof™ Stainless Steel

Resists fingerprints and cleans easily.

# FPBS2778UF FRENCH DOOR REFRIGERATOR

26.7 CU. FT.

**FRIGIDAIRE**  
PROFESSIONAL

## FEATURES

|                              |                              |
|------------------------------|------------------------------|
| Door Design                  | Square Doors                 |
| Door Handle Design           | Stainless Steel              |
| Cabinet Finish               | Gray                         |
| Door Stops / Door Closers    | No / Yes                     |
| Door Hinge Covers            | Hidden                       |
| Rollers - Front / Rear       | Adjustable / Yes             |
| Energy Saver Plus Technology |                              |
| Water Filter Location        | Top-Right Fresh Food Section |
| Sound Package                | Quiet Design                 |

## DISPENSER

|   |                               |
|---|-------------------------------|
| Controls                                | LED Controls                  |
| Dispenser Design                        | Flush, Single-Paddle          |
| User Interface Buttons                  | 4 Dispenser / 11 Side Control |
| Crushed Ice / Cube Ice / Water          | Yes/Yes/Yes                   |
| Ice Option / Freeze Option              | No / PowerPlus® Freeze        |
| Display On / Off Option                 |                               |
| Lock / Light                            | No / Yes                      |
| Temp / Door Ajar / Power Failure Alerts | Yes / Yes / Yes               |
| Water Filter Change Indicator Light     | Yes                           |
| Air Filter Change Indicator Light       | Yes                           |

## REFRIGERATOR FEATURES

|   |                      |
|---|----------------------|
| Lighting                                  | Multi-Level LED      |
| Water Filter Type                         | PureSource Ultra® II |
| Air Filter Type                           | PureAir Ultra® II    |
| Flip-Up Shelves                           | 1                    |
| Half-Width Fixed Shelves                  | 3                    |
| Quarter-Width Sliding Shelves             |                      |
| Cantilever Shelves                        | Yes                  |
| Full-Width Deli Drawer                    | 1                    |
| Wine Rack / Can Dispenser                 | Yes/Yes              |
| CrispSeal™ Crispers with Humidity Control | 2                    |
| Dairy Compartment                         | 1 Smoky (Right Door) |
| Gallon Fixed Door Bins                    | 2 Smoky (1 per Door) |
| 2-Liter Fixed Door Bins                   | 1 Smoky              |
| Gallon Adjustable Door Bins               | 2 Smoky              |
| 2-Liter Adjustable Door Bins              |                      |
| Dispenser Bin                             |                      |
| Non-Slip Bin Liner / Bottle Retainers     | 5 Gray / No          |

## FREEZER FEATURES

|                                     |                            |
|-------------------------------------|----------------------------|
| Effortless® Glide Freezer Drawer    | Yes                        |
| Sliding Full-Width Freezer Baskets  | 1                          |
| Basket Dividers                     | 2 (Upper and Lower Basket) |
| Lighting                            | LED                        |
| Automatic Ice Maker (2nd Ice Maker) | Yes                        |

## CERTIFICATIONS

|                                  |     |
|----------------------------------|-----|
| Sabbath Mode (Star-K® Certified) | Yes |
|----------------------------------|-----|

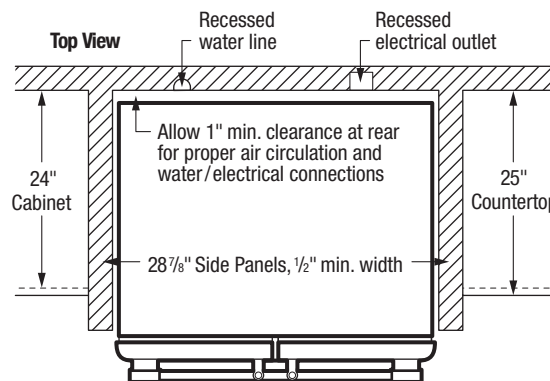
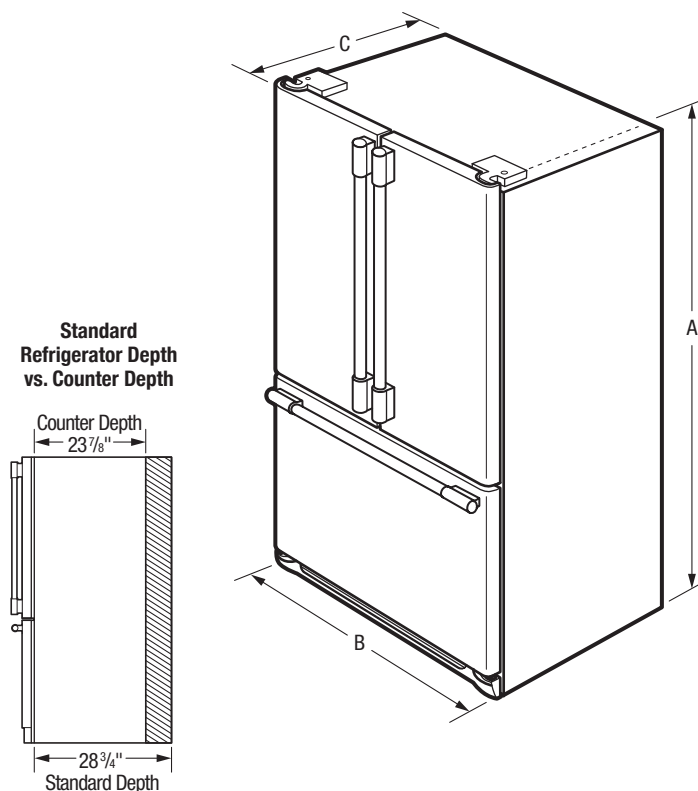
## SPECIFICATIONS

|   |                   |
|---|-------------------|
| Total Capacity (Cu. Ft.)                            | 26.7              |
| Refrigerator Capacity (Cu. Ft.)                     | 18.0              |
| Freezer Capacity (Cu. Ft.)                          | 8.7               |
| Power Supply Connection Location                    | Right Bottom Rear |
| Water Inlet Connection Location                     | Left Bottom Rear  |
| Voltage Rating                                      | 120V / 60Hz / 15A |
| Connected Load (kW rating) @ 120 Volts <sup>1</sup> | 1.02              |
| Amps @ 120 Volts                                    | 8.5               |
| Minimum Circuit Required (Amps)                     | 15                |
| Shipping Weight (Approx.)                           | 365 Lbs.          |

<sup>1</sup>For use on adequately wired 120V, dedicated circuit having 2-wire service with a separate ground wire. Appliance must be grounded for safe operation.

## PRODUCT DIMENSIONS

|   |               |
|---|---------------|
| A - Height (Incl. Hinges & Rollers)             | 69-7/8"       |
| B - Cabinet Width / Door Width                  | 35-5/8" / 36" |
| C - Depth (Incl. Door)                          | 32"           |
| Depth with Door Open 90°                        | 47-3/8"       |
| Depth with Drawer Fully Extended (Incl. Handle) | 54-3/8"       |



**Note:** For planning purposes only. Always consult local and national electric, gas and plumbing codes. Refer to Product Installation Guide for detailed installation instructions on the web at [frigidaire.com](http://frigidaire.com) / [frigidaire.ca](http://frigidaire.ca). Specifications subject to change. Accessories information available on the web at [frigidaire.com](http://frigidaire.com) / [frigidaire.ca](http://frigidaire.ca)

**FRIGIDAIRE**

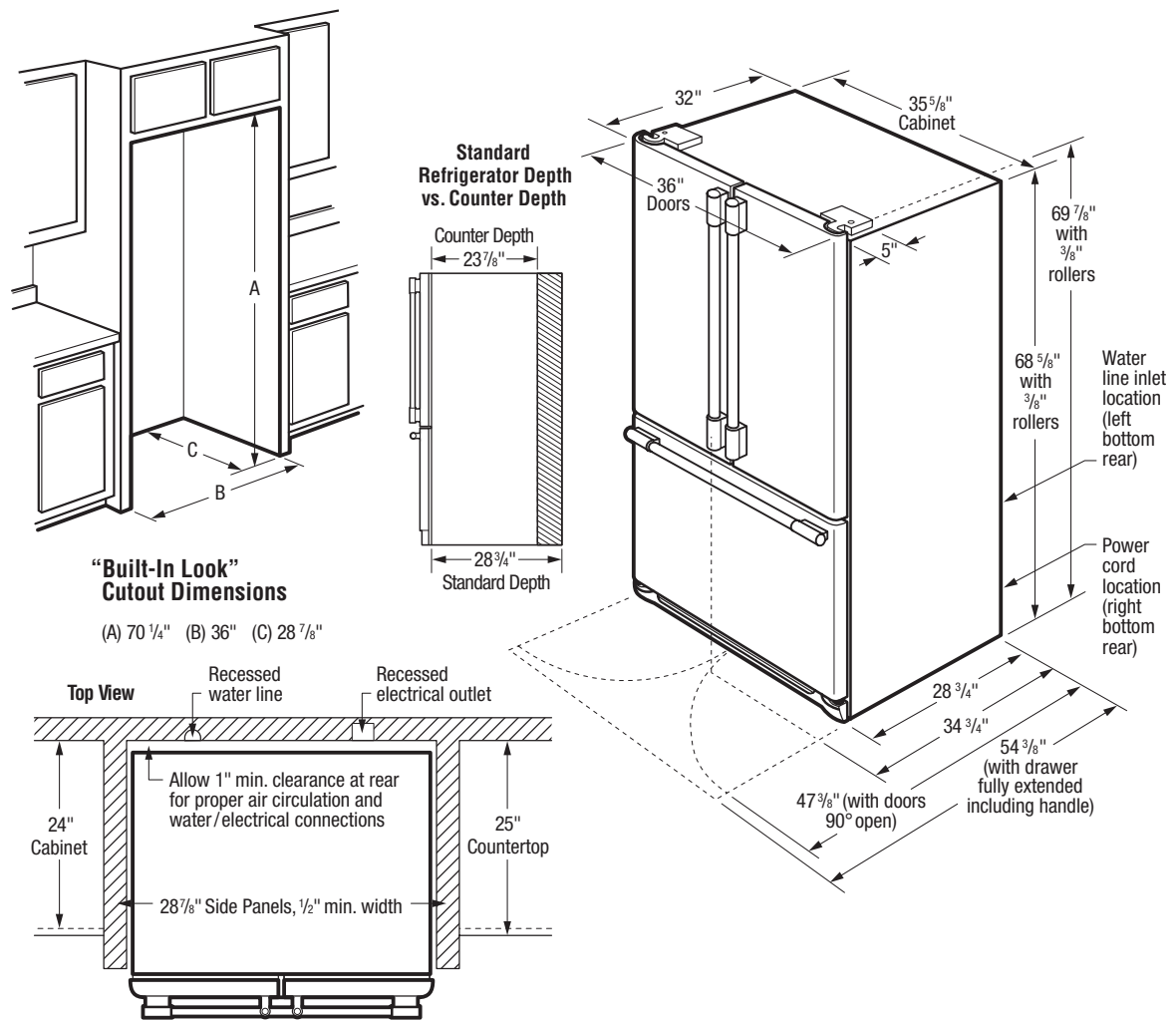
USA • 10200 David Taylor Drive • Charlotte, NC 28262 • 1-800-FRIGIDAIRE • [frigidaire.com](http://frigidaire.com)  
CANADA • 5855 Terry Fox Way • Mississauga, ON L5V 3E4 • 1-800-265-8352 • [frigidaire.ca](http://frigidaire.ca)

FPBS2778UF 9/18  
© 2018 Electrolux Home Products, Inc.

# FPBS2778UF FRENCH DOOR REFRIGERATOR

26.7 CU. FT.

**FRIGIDAIRE**  
PROFESSIONAL



## INSTALLATION SPECIFICATIONS

- Product Shipping Weight (approx.) – 365 Lbs.
- An electrical supply with grounded three-prong receptacle is required. The power supply circuit must be installed in accordance with current edition of National Electrical Code (NFPA 70) and local codes & ordinances.
- Voltage Rating – 120V / 60 Hz / 15 Amps
- Connected Load (kW Rating) @ 120 Volts = 1.02 kW
- Amps @ 120 Volts = 8.5 Amps
- Always consult local and national electric & plumbing codes.
- Floor should be level surface of hard material, capable of supporting fully loaded refrigerator.
- Minimum 3/8" clearance required for sides and top of refrigerator or freezer with 1" clearance at rear to allow for ease of installation, proper air circulation, and plumbing / electrical connections.
- When installing refrigerator adjacent to wall, cabinet or other appliance that extends beyond front edge of unit, 20" minimum clearance recommended to allow for optimum 120° to 180° door swing, providing complete drawer / crisper access and removal. (Absolute 4-1/2" minimum clearance will ONLY allow for 90° door swing which will provide drawer / crisper access with restricted removal.) Minimum 3/8" clearance required for sides and top of refrigerator or freezer with 1" clearance at rear to allow for ease of installation, proper air circulation, and plumbing/electrical connections.
- To ensure optimum performance, (do not install in areas where temperature drops below 55° F or rises above 110° F) and avoid installing in direct sunlight or close proximity to range, dishwasher or other heat source.
- Refrigerator must be placed on level surface of hard material, same height as flooring. Surface must support approximately 800 lbs. when fully loaded. Unit equipped with 4-point leveling.
- For proper ventilation, front grille MUST remain unobstructed.
- Recess electrical outlet when possible.
- Water recess on rear wall recommended to prevent water line damage.
- Water Pressure – Cold water line must provide between 30 and 100 pounds per square inch (psi).
- Copper or stainless steel tubing with 1/4" O.D. recommended for water supply line with length equal to distance from rear of unit to household water supply line plus 7 additional feet. Optional Water Supply Installation Kits available.
- Adjustable front rollers to assist with door alignment.

### "BUILT-IN LOOK" SPECIFICATIONS

- Minimum opening of 70-1/4" H x 36" W x 28-7/8" D required to allow for ease of installation, proper air circulation, and plumbing / electrical connections.
- Remove all wall / floor molding prior to installation.



**FRIGIDAIRE**

USA • 10200 David Taylor Drive • Charlotte, NC 28262 • 1-800-FRIGIDAIRE • [frigidaire.com](http://frigidaire.com)  
CANADA • 5855 Terry Fox Way • Mississauga, ON L5V 3E4 • 1-800-265-8352 • [frigidaire.ca](http://frigidaire.ca)

*Note: For planning purposes only. Always consult local and national electric, gas and plumbing codes. Refer to Product Installation Guide for detailed installation instructions on the web at [frigidaire.com](http://frigidaire.com) / [frigidaire.ca](http://frigidaire.ca). Specifications subject to change. Accessories information available on the web at [frigidaire.com](http://frigidaire.com) / [frigidaire.ca](http://frigidaire.ca)*

FPBS2778UF 9/18  
© 2018 Electrolux Home Products, Inc.