

AN UPDATED GLASS ISLAND HOOD WITH ADVANCED FEATURES. The new and improved Glassy Isola island glass hood by Faber now with VAM technology, features a stunning flat glass body with advanced electronic controls, an optional remote control and two level energy efficient LED lights. The Glassy Isola delivers a stylish and contemporary flat glass island range hood.

Now with
Variable Air Management
adjust CFM for
your local codes

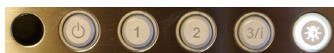


AVAILABLE MODELS

Model #	Size / Color	Motor Class (CFM)	Sound Levels (sones)
GLASIS36SSV	36" Stainless	295, 395, 600 CFM	2.8 - 7.5

Note: Set to 600 CFM motor class out of the box.

KEY FEATURES



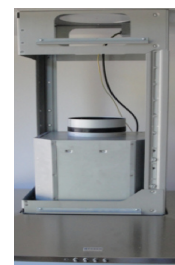
Backlit Electronic Controls
Backlit electronic controls with a White LED light to indicate the current speed and two level lighting.



LED Bulbs
Low consumption 1 watt LED bulbs with a dimmer light up your cooking but use very little energy.



Remote Control (optional)
Control all features of the hood from the convenience of a wireless remote control. (sold separately)



Island Structure
This solid internal support structure makes a simple, adjustable and safe.

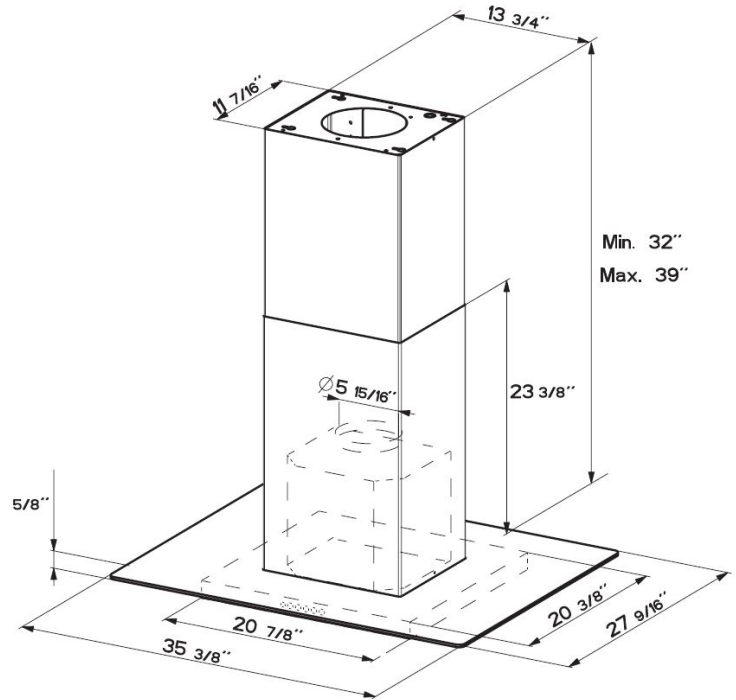
GLASSY ISOLA ISLAND RANGE HOOD

FABER
AIR MATTERS

SPECIFICATIONS

DIMENSIONS

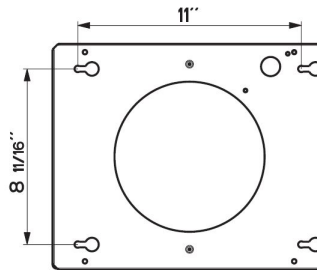
min. / max. ceiling height	7' 9 7/8" - 8' 10 7/8"
convertible to ductless / recirculating	yes - with DUCT2
canopy depth / height	27 9/16" d / 15 5/8" h
high ceiling kit	yes - reaches up to 10' 10 1/2" ceilings
controls	4 speed electronic w/ white LED
Variable Air Management	yes (set to 295, 395, 600 CFM)
lighting	4 x 1 (w) LED
ducting top	6" round
grease filters	dishwasher safe mesh
10 minute intensive speed	yes
15 minute auto shut off	yes
ADA compliant	yes (with remote control purchase)
power cord included	yes
AC power	322 watts / 2.8 amps



PERFORMANCE

SPEED	1	2	3	BOOST
CFM	150	295	395	560
Sones	2.8	4.3	6.0	7.5

Overall



Ceiling Connection

ACCESSORIES

FILTER2 - Charcoal Filter Kit
High quality charcoal filter for use when recirculating the air back into the kitchen. Filters out odor and should be replaced every 6 months

REMCTRL2 - Remote Control
Control all features of the hood from the convenience of a wireless remote control

HIGH2 - High Ceiling Kit
High ceiling kit replaces the upper chimney with a taller chimney to reach up to 10' 10 1/2"

MUDAMPER6 / MUDAMPER8 - Universal Make-Up Air Damper
Satisfies make-up air requirements, this kit uses an air switch to activate the make-up air damper to open and bring fresh air into the home when the hood fan is on. It then closes tightly when the hood is off. The CFM level is not reduced with this accessory.

DUCT2 - Ductless Conversion Kit
To convert the Glassy Isola to ductless, this kit includes a chimney with holes, charcoal filters and a diverter to send the air thru the side grates on the new lower chimney.

WARNING! Product specifications are subject to change without notification. Consult the installation instructions before you begin installing this range hood. * Check local make up air codes for guidelines.

