



36-INCH PRO GAS COOKTOP

HDCT365GS | HERITAGE COLLECTION



FEATURES & BENEFITS

- Illumina Burner™ Controls glow Dacor's signature flame-blue to always let you know when a burner is on.
- SimmerSear™ Burners provide up to 18,000 BTUs and achieve ultra-low temperatures for simmering and melting without any scorching.
- Exclusive Bead-Blasted, PermaClean™ Finish on a one-piece sealed spill basin makes cleaning easy and keeps cooktop scratch-free.
- Burner Configuration:
 - 5 Burners (57,500 Total BTUs)
 - 1 Dual-Stacked Sealed Burner (18,000 BTU)
 - 2 Dual-Stacked Sealed Burner (12,500 BTU)
 - 1 Dual-Stacked Sealed Burners (9,500 BTU)
 - 1 Sealed Burner with Simmer Cap (5,000 BTU)
- Continuous Platform Grates are porcelain coated and allow extra large pots and pans to be moved effortlessly from burner to burner.
- Perma-Flame™ Technology automatically re-ignites a flame for continuous heating and uninterrupted cooking should a burner unexpectedly go out.
- Downdraft Compatible (MRV3615S)

GENERAL PROPERTIES

FINISH	STAINLESS STEEL
--------	-----------------

OPTIONAL ACCESSORIES

WOK RING	AWR4
----------	------

TECHNICAL INFORMATION

ELECTRICAL REQUIREMENTS	120VAC/60HZ/15AMP
-------------------------	-------------------

TOTAL CONNECTED LOAD	0.25A (0.03KW)
----------------------	----------------

GAS CONFIGURATIONS	NG - NATURAL GAS NG / H - NATURAL GAS / HIGH ALTITUDE LP - LIQUID PROPANE LP / H - LIQUID PROPANE / HIGH ALTITUDE
--------------------	--

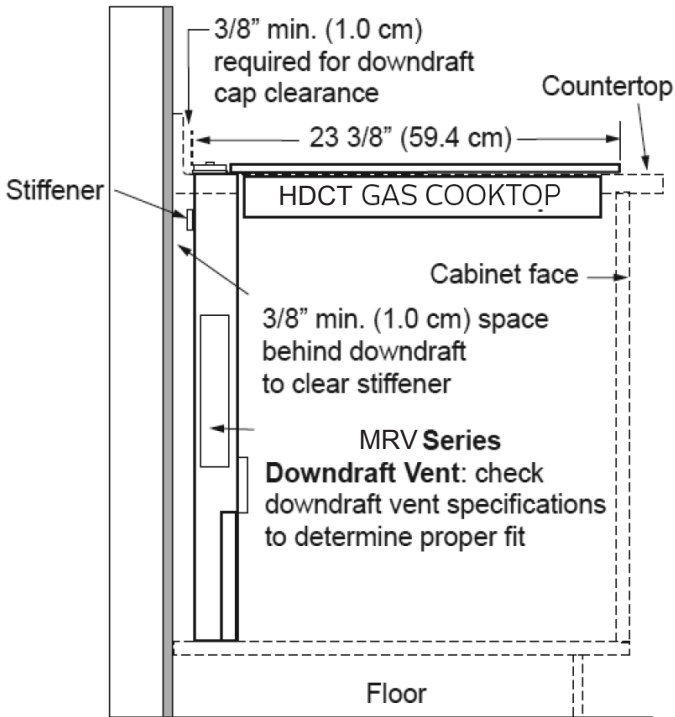
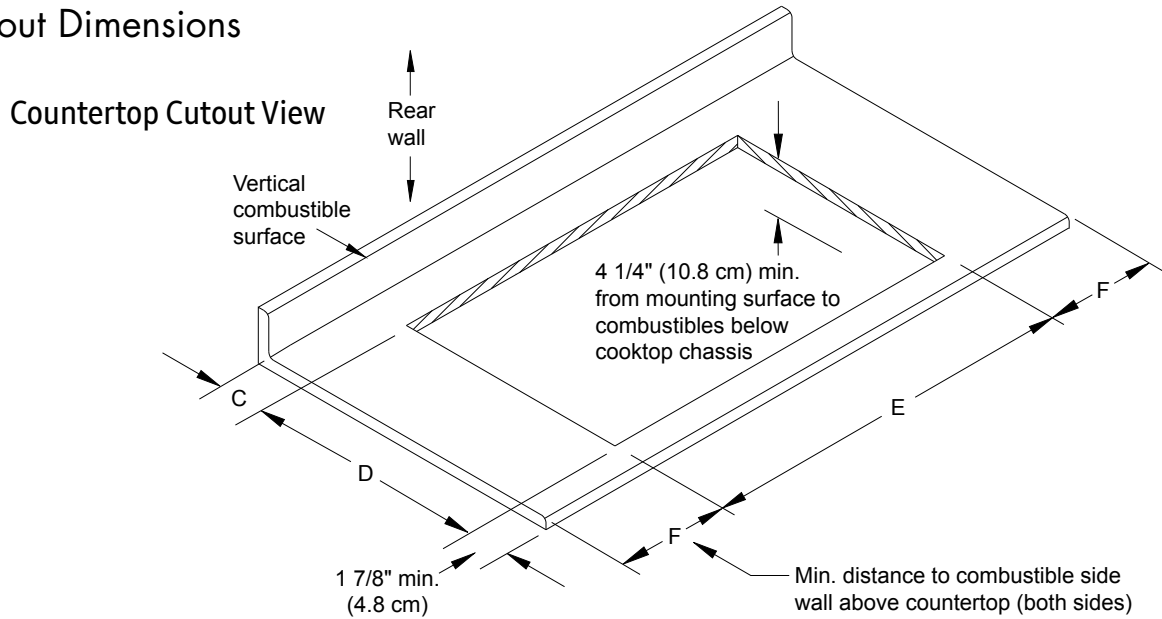
PRODUCT DIMENSIONS

APPLIANCE DIMENSIONS (W X H X D) (IN.)	36" x 4" x 21"
--	----------------

ALL TOLERANCES	± 1/16" (± 1.6MM) UNLESS OTHERWISE NOTED
----------------	--

INSTALLATION TYPE	(C)	(D)	(E)	(F)
HDCT365G W/ NO DOWNDRAFT VENT	2 7/8" (7.3 CM)	19 3/4" (50.2 CM)	33 3/4" (85.7 CM)	7" (17.8 CM)
HDCT365G W/ MRV3615	3/8" (1.0CM)	22 1/2" (57.2CM)		

Cutout Dimensions



Cooktop with MRV Series Downdraft Vent

