

NE63A6751SS

SAMSUNG

Samsung Smart Freestanding Electric Range
with Flex Duo™, No Preheat Air Fry & Griddle
6.3 cu. ft. Capacity



Signature Features

Flex Duo™

- Use the full oven for a large roast or split it into two smaller ovens that can cook at different temperatures, saving both time and energy.

Air Fry

- A healthier way to prepare your favorite fried foods right in your oven with little to no oil.* No preheating required. Air Fry tray included.

*As compared to deep frying.

Removable Nonstick Griddle

- Grill your family's favorite foods with the included griddle that is perfectly sized to fit the griddle burners.

Available Colors



Fingerprint Resistant
Stainless Steel (shown)



Fingerprint Resistant
Black Stainless Steel



Flex Duo™



Air Fry

Features

- Flex Duo™
- Air Fry, Tray Included
- Removable Nonstick Griddle
- Convection+
- Large Oven Capacity – 6.3 cu. ft.
- Fingerprint Resistant Finish
- Extra Oven Settings - Bread Proof, Dehydrate, Favorite Cook, Keep Warm
- Storage Drawer

- Flexible Cooktop:
Five-Burner Cooktop
 - One Triple Burner (6"/9"/12")
 - Two Bridge Burners
 - One Single Burner (6")
 - Warming Center

Convenience

- Wi-Fi Connectivity
- Voice-Enabled
- SmartThings Cooking
- Convection Auto Conversion
- Self & Steam Clean
- Hidden Bake Element
- Sabbath Mode
- Child Safety Lock
- Delay Start
- Auto Oven Light
- Kitchen Timer

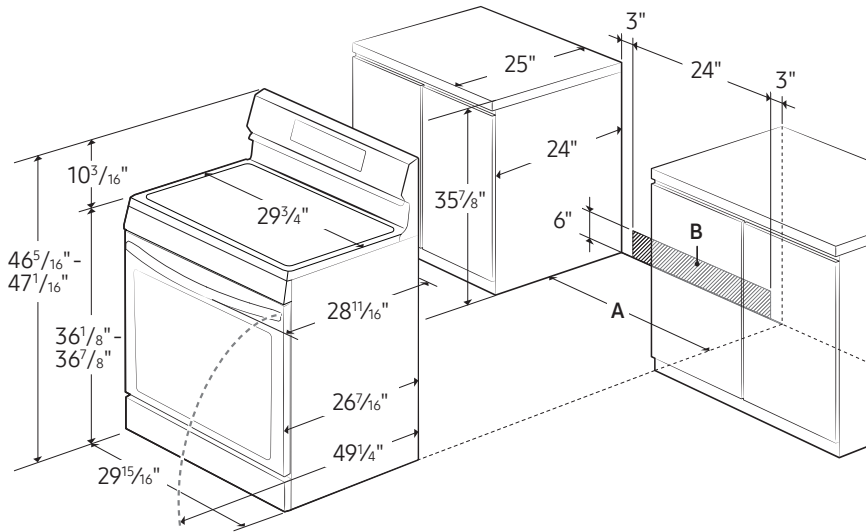


NE63A6751SS

SAMSUNG

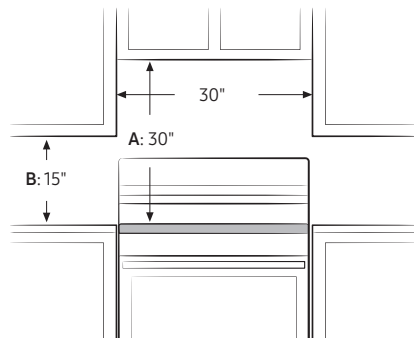
Samsung Smart Freestanding Electric Range with Flex Duo™, No Preheat Air Fry & Griddle
6.3 cu. ft. Capacity

Installation Specifications



A: Cabinet opening min 30"
B: Acceptable electrical outlet area

IMPORTANT: If your cabinets are over 36³/₄" high, you must install this range on a hard, heat-resistant support that raises the surface of the range so that it is about even with the countertop.



A: 30" minimum clearance between the top of the cooking surface and the bottom of an unprotected wood or metal cabinet; or 24" minimum when the bottom of the wood or metal cabinet is protected by not less than 1/4" of flame-retardant millboard covered with not less than no. 28 MSG sheet steel, 0.015" stainless steel, 0.024" aluminum, or 0.020" copper.

B: 15" minimum between the countertop and the adjacent cabinet bottom.

IMPORTANT: Consult with Installation Manual for detailed instructions before installing. All ranges must be installed with the Anti-Tip device that is included.

Power Source

240 V/208 V/60 Hz/40 A

Electric Ceramic Cooktop

- Right Front: 6"/9"/12" Triple Ring Burner, 3000 W
- Left Front: Griddle Burner, 1800 W
- Right Rear: 6", 1200 W
- Left Rear: Griddle Burner, 1800 W
- Center: Warming Center, 100 W

Oven

- Upper Capacity: 3.4 cu. ft.
- Lower Capacity: 2.7 cu. ft.
- Convection Element/Heater
- Convection Bake
- Convection Roast
- Bake
- Variable Broil: Low/High
- Air Fry
- Bread Proof
- Dehydrate

Warranty

One (1) Year Parts and Labor

Product Dimensions & Weight (WxHxD)

Oven Interior Dimensions:

24¹³/₁₆" x 22⁷/₁₆" x 19³/₄"

Outside Net Dimensions:

29¹⁵/₁₆" x 46⁵/₁₆"-47¹/₁₆" (Adjustable) x 28¹¹/₁₆"

Weight: 192 lbs

Shipping Dimensions & Weight (WxHxD)

Dimensions:

33¹/₁₆" x 50⁹/₁₆" x 30⁵/₁₆"

Weight: 215 lbs

Color

Fingerprint Resistant
Stainless Steel

Model

NE63A6751SS

UPC Code

887276552101

Fingerprint Resistant
Black Stainless Steel

NE63A6751SG

887276552088

