

# Gas Cooktop

## Installation Manual

NGM8657UC



**BOSCH**  
Invented for life



# Table of Contents

<b>▲ Safety Definitions</b> .....	<b>2</b>	Cabinet Requirements .....	6
<b>IMPORTANT SAFETY INSTRUCTIONS</b> .....	<b>3</b>	Countertop Requirements .....	7
Gas Appliance Safety .....	3	Ventilation Requirements .....	7
High Altitude Installation .....	4	<b>Installation Procedure</b> .....	<b>8</b>
Appliance Handling Safety .....	4	Prepare Installation Space .....	8
Safety Codes and Standards .....	4	Install the Cooktop .....	8
Electric Safety .....	4	Connect Gas Supply .....	9
Gas Safety .....	4	Connect Electrical Supply .....	10
Propane Gas Installation .....	5	Burner Cap and Burner Base Placement .....	10
Related Equipment Safety .....	5	Install Burner Grates .....	10
<b>Before You Begin</b> .....	<b>6</b>	Check the Installation .....	11
Tools and Parts Needed .....	6	<b>Conversion to LP Gas</b> .....	<b>11</b>
Parts Included .....	6	Converting the Pressure Regulator .....	11
Appliance Dimensions .....	6	Replacing the Nozzles .....	12
General Requirements .....	6	Adjusting the Gas Valves .....	12
Electrical Requirements .....	6	<b>Customer Service</b> .....	<b>13</b>
Gas Requirements .....	6		

Questions?  
1-800-944-2904  
www.bosch-home.com  
1901 Main Street, Suite 600  
Irvine, CA 92614  
We look forward to hearing from you!

## ▲ Safety Definitions

---

### ▲ WARNING

This indicates that death or serious injuries may occur as a result of non-observance of this warning.

---

---

### ▲ CAUTION

This indicates that minor or moderate injuries may occur as a result of non-observance of this warning.

---


**NOTICE:** This indicates that damage to the appliance or property may occur as a result of non-compliance with this advisory.

**Note:** This alerts you to important information and/or tips.

# **IMPORTANT SAFETY INSTRUCTIONS**

READ AND SAVE THESE INSTRUCTIONS

## Gas Appliance Safety

 **WARNING:** If the information in these instructions is not followed exactly, a fire or explosion may result causing property damage, personal injury or death.

- Do not store or use gasoline or other flammable vapors and liquids in the vicinity of this or any other appliance.
- **WHAT TO DO IF YOU SMELL GAS**
  - Do not try to light any appliance.
  - Do not touch any electrical switch.
  - Do not use any phone in your building.
  - Immediately call your gas supplier from a neighbor's phone. Follow the gas supplier's instructions.
  - If you cannot reach your gas supplier, call the fire department.
- Installation and service must be performed by a qualified installer, service agency or the gas supplier.

 **WARNING:**

**Never Operate the Top Surface Cooking Section of this Appliance Unattended.**

- Failure to follow this warning statement could result in fire explosion, or burn hazard that could cause property damage, personal injury, or death.
- If a fire should occur, keep away from the appliance and immediately call your fire department.

**DO NOT ATTEMPT TO EXTINGUISH  
AN OIL/GREASE FIRE WITH WATER.**

# **IMPORTANT SAFETY INSTRUCTIONS**

## READ AND SAVE THESE INSTRUCTIONS

**IMPORTANT:** THE APPLIANCE MUST BE INSTALLED BY A QUALIFIED INSTALLER.

**INSTALLER:** LEAVE THESE INSTRUCTIONS WITH THE APPLIANCE AFTER INSTALLATION IS COMPLETE.

**IMPORTANT:** SAVE FOR THE LOCAL INSPECTOR'S USE.

**OWNER:** PLEASE RETAIN THESE INSTRUCTIONS FOR FUTURE REFERENCE.

---

### **WARNING**

If the information in this manual is not followed exactly, fire or shock may result causing property damage or personal injury.

---

---

### **WARNING**

Do not repair, replace or remove any part of the appliance unless specifically recommended in the manuals. Improper installation, service or maintenance can cause injury or property damage. Refer to this manual for guidance. All other servicing should be done by an authorized servicer.

---

---

### **WARNING**

Disconnect electrical and gas supply before servicing.

---

## **High Altitude Installation**

This appliance has been tested for operation up to an altitude of 10,100 ft (3,078 m) elevation above sea level. If desired, for altitudes above 2,000 ft (610 m) elevation above sea level, adjustments may be made. Burners should be checked at the lowest setting, if the flame is not stable the simmer should be increased until the flame is stable. This can be done by adjusting the bypass screw in the valve. If flame performance is satisfactory, adjustment will not be required. It is required that a Certified Professional make the high altitude adjustments during installation.

## **Appliance Handling Safety**



Hidden surfaces may have sharp edges. Use caution when reaching behind or under appliance.

## **Safety Codes and Standards**

This appliance complies with the following Standard:

### **ANSI Z21.1 / CSA 1.1 Household Cooking Gas Appliances**

It is the responsibility of the owner and the installer to determine if additional requirements and/or standards apply to specific installations.

Installation must conform with local codes or, in the absence of local codes, with the National Fuel Gas Code, ANSI Z223.1/NFPA 54 or, in Canada, the Natural Gas and Propane Installation Code, CSA B149.1.

The appliance must be electrically grounded in accordance with local codes or, in the absence of local codes, with the National Electrical Code, NFPA 70 latest edition or, in Canada, the Canadian Electric Code, CSA C22.1-02.

## **Electric Safety**

---

### **WARNING**

Before you plug in an electrical cord or turn on power supply, make sure all controls are in the OFF position.

---

For appliances equipped with a cord and plug, do not cut or remove the ground prong. It must be plugged into a matching grounding type receptacle to avoid electrical shock. If there is any doubt as to whether the wall receptacle is properly grounded, the customer should have it checked by a qualified electrician.

Do not use an extension cord.

Do not use an adapter.

If required by the National Electrical Code (or Canadian Electrical Code), this appliance must be installed on a separate branch circuit.

The circuit breaker should have a contact separation of at least 3 mm on all poles.

Be sure your appliance is properly installed and grounded by a qualified technician. Installation, electrical connections and grounding must comply with all applicable codes.

Before installing, turn power OFF at the service panel. Lock service panel to prevent power from being turned ON accidentally.

Installer – show the owner the location of the circuit breaker or fuse. Mark it for easy reference.

## **Gas Safety**

Install a gas shutoff valve near the appliance. It must be easily accessible in an emergency.

Leak testing must be conducted by the installer according to the instructions in this manual.

The appliance and its individual shutoff valve must be disconnected from the gas supply piping system during any pressure testing at pressures in excess of ½ psi (3.5 kPa).

The appliance must be isolated from the gas supply piping system by closing its individual manual shutoff

# **IMPORTANT SAFETY INSTRUCTIONS**

## READ AND SAVE THESE INSTRUCTIONS

valve during any pressure testing of the gas supply piping system at test pressures equal to or less than ½ psi (3.5 kPa).

The minimum supply pressure must be 1" water column above the manifold pressure printed on the rating label. The maximum supply pressure must not exceed 14.0 inches water column (34.9 Millibars).

**IMPORTANT SAFETY NOTICE:** Burning gas cooking fuel generates some by-products which are on the list of substances which are known by the State of California to cause cancer or reproductive harm. To minimize exposure to these substances, always operate this unit according to the instructions contained in this booklet and provide good ventilation.

### **Proposition 65 Warning:**

This product may contain a chemical known to the State of California, which can cause cancer or reproductive harm. Therefore, the packaging of your product may bear the following label as required by California:

**STATE OF CALIFORNIA PROPOSITION 65 WARNING:**



Cancer and Reproductive Harm - [www.P65Warnings.ca.gov](http://www.P65Warnings.ca.gov)

### **Propane Gas Installation**

The propane gas tank must be equipped with its own high pressure regulator. In addition, the regulator supplied with this unit must also be used.

The appliance is shipped from the factory for use with natural gas. It must be converted for use with propane. A qualified technician or certified installer must do the conversion.

For use with propane the appliance must be converted per the LP conversion instructions. → "Conversion to LP Gas" on page 11

### **For Massachusetts installations:**

- Installation must be performed by a qualified or licensed contractor, plumber or gas fitter qualified or licensed by the state, province or region where this appliance is being installed.
- Shut-off valve must be a "T" handle gas cock.
- Flexible gas connector must not be longer than 36 inches.

Installer - show the owner where the gas shut-off valve is located.

### **Related Equipment Safety**

The appliance should only be used if installed by a qualified technician in accordance with these installation instructions. The manufacturer is not responsible for any damage resulting from incorrect installation.

Remove all tape and packaging before using the appliance. Destroy the packaging after unpacking the appliance. Never allow children to play with packaging material.

Never modify or alter the construction of the appliance. For example, do not remove leveling legs, panels, wire covers or anti-tip brackets/screws.

To eliminate the risk of burns or fire by reaching over heated surface units, cabinet storage space located above the surface units should be avoided. If cabinet storage is to be provided, the risk can be reduced by installing a hood that projects horizontally a minimum of 5 inches (127 mm) beyond the bottom of the cabinet. Verify that cabinets above the cooktop are a maximum of 13" (330 mm) deep.

When installing a cooktop over a single oven, be sure to follow both the oven's and cooktop's installation manuals.

You can find a list of approved combinations of cooktop and oven in the Appliance Document List of your cooktop, or you can contact Customer Service for the latest list of approved combinations. Do not try to install your cooktop over any oven that is not stated in that list.

### **Ventilation Recommendations**

We strongly recommend the installation of a ventilation hood above this appliance. The hood must be installed according to instructions furnished with the hood.

---

### **CAUTION**

---

The appliance should not be installed with a ventilation system that blows air downward toward the burners. This type of ventilation system may cause ignition and combustion problems with the gas cooking appliance resulting in personal injury or unintended operation.

---

# Before You Begin

## Tools and Parts Needed

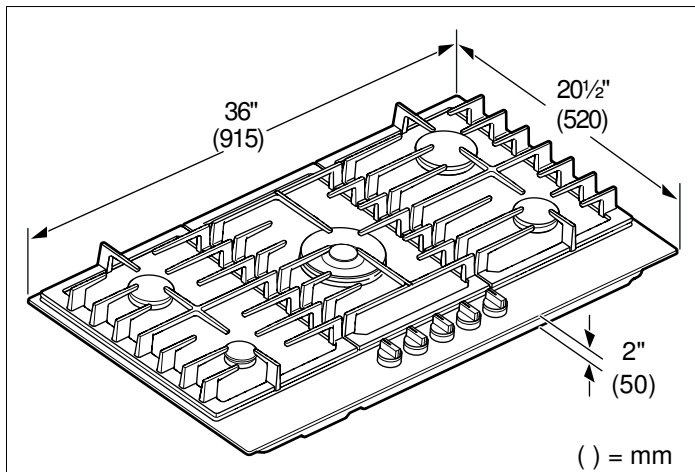
- Phillips Head Screwdriver
- Precision Flathead Screwdriver
- Tape Measure
- Teflon Tape (Gas Rated)
- Adjustable Wrench or Channel Lock Pliers

## Parts Included

- Cooktop
- Mounting Brackets (6)
- Sheet Metal Screws, DIN7982 4.2x25 (1") (6)
- Burner Grates (3)
- Burners (5)
- Burner Caps (6)
- OptiSim® Cap (1)
- Pressure Regulator
- LP Gas Conversion Kit

**Note:** If parts are missing or damaged, call Customer Support or write to the address listed on the inside back cover.

## Appliance Dimensions



## General Requirements

- The cabinet in which the cooktop is installed must be properly secured and stable.
- The cabinets next to the cooktop, the laminated covering and glue for adhering it must be made of non-flammable and heat resistant materials.
- This appliance cannot be installed above fridges, washing machines, dishwashers or similar.
- If an oven is installed underneath the cooktop, the thickness specified for the countertop surface may exceed the minimum thickness stated in these instructions. Observe the information in the oven installation instructions.

## Electrical Requirements

### ⚠ CAUTION

Do not use an extension cord with the gas cooktop.

This appliance requires a 60 Hz, 15 Amp, 120 VAC connection. Plan the installation so that the power connection is accessible from the front of the cabinet.

## Gas Requirements

The cooktop is shipped from the factory for use with natural gas. For use with LP conversion, a certified technician or installer must do the conversion.

Supply Pressure:

- **Natural Gas:** 7 inches water column (17.4 Millibars)
- **Propane Gas:** 11 inches water column (27.4 Millibars)

The propane gas tank must be equipped with its own high pressure regulator in addition to the pressure regulator supplied with this unit.

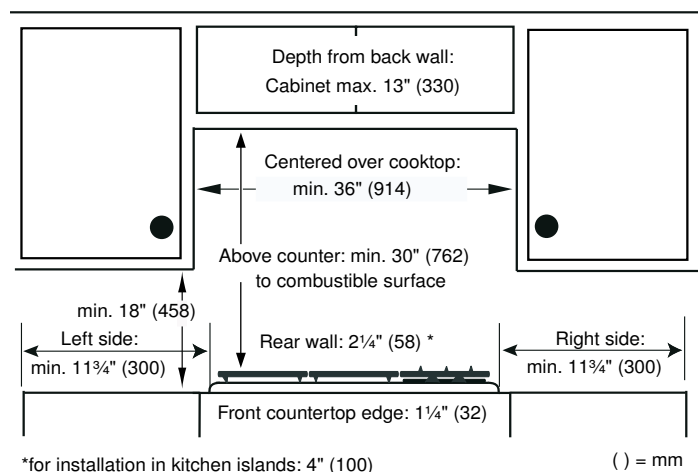
## Cabinet Requirements

Instructions are based on standard American cabinets 36" high (91 cm) x 24" deep (61 cm) with a 25" (63 cm) countertop.

The maximum depth of a cabinet installed above the cooktop is 13" (33 cm).

**Note:** All measurements given must be precisely followed. If nonstandard cabinets are used, make sure they are installed with minimum dimensions shown.

Plan the installation of the unit so that the power cord, gas shut-off valve and gas pressure regulator are accessible from the front of the cabinet.



For installation in a kitchen island, the minimum distance from the cooktop to the edge of the countertop must be at least 4" (100 mm).

## Hook Up

- Plan the installation of the unit so that the power cord, gas shut-off valve and gas pressure regulator are accessible from the front of the cabinet.
- The supply line must not interfere with the back of the unit.
- Make sure the gas supply is turned off at the manual shut-off valve before connecting to the appliance.

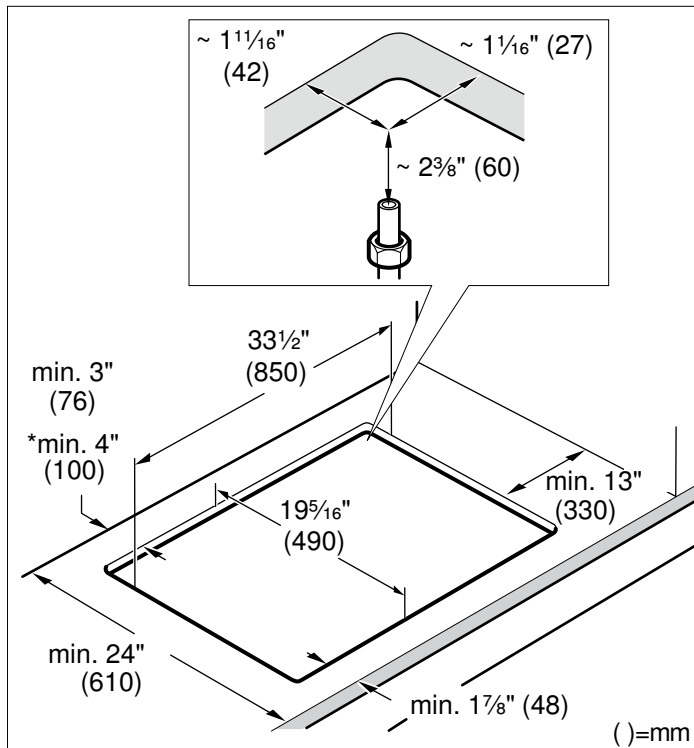
## Countertop Requirements

### ▲ WARNING

To reduce the risk of ignition of surrounding combustible materials, install at least 1 1/4" (300 mm) from both sidewalls and at least 2 1/4" (58 mm) from the rear wall.

The countertop must be level and horizontal. The stability of the countertop must be maintained after the cut-out has been made.

**Note:** All measurements given must be precisely followed. If nonstandard cabinets are used, make sure they are installed with minimum dimensions shown in the following image.



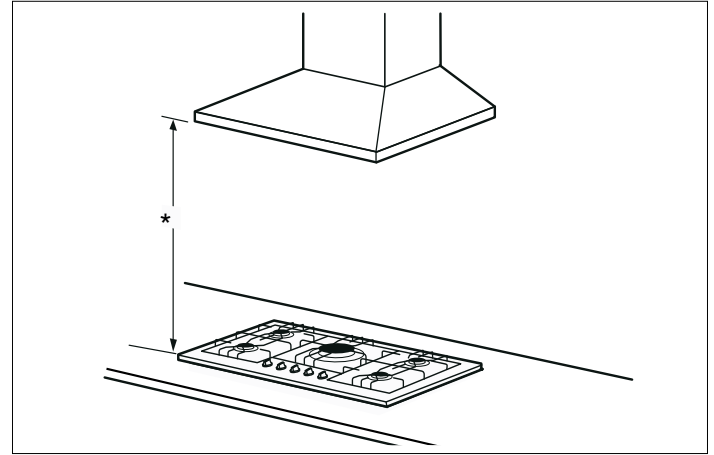
\* for installation in a kitchen island

## Ventilation Requirements

We strongly recommend the installation of ventilation with the appliance. The appliance must be installed according to the ventilation instructions.

### ▲ CAUTION

The appliance should not be installed with a ventilation system that blows air downward toward the burners. This type of ventilation system may cause ignition and combustion problems with the gas cooking appliance resulting in personal injury or unintended operation.



\* When installed in combination with a hood, refer to hood manufacturer's requirements for installation.

# Installation Procedure

## Prepare Installation Space

Create the cut-out in the countertop according to the installation drawings. The angle of the cut surface to the countertop must be 90°.

After creating the cut-out, remove shavings. Seal cut surfaces in a heat-resistant manner.

Some solid surface countertops require special installations. For example, heat reflective tape and rounded corners may be necessary. Contact the countertop manufacturer for instructions specific to your countertop.

---

### ⚠ WARNING

To avoid electrical shock hazard, before installing the cooktop, switch power off at the service panel to prevent the power from being switched on accidentally.

---

Cut out the countertop per the dimensions shown in the section "Countertop Requirements".

If there is no oven beneath the cooktop, put a non-flammable intermediate floor (e.g. metal or plywood)  $\frac{3}{8}$ " (10 mm) from the base of the cooktop. This will prevent access to the base of the cooktop.

The distance from the intermediate floor to the power supply connection for the appliance must be at least  $\frac{3}{8}$ " (10 mm).

## Install the Cooktop

---

### ⚠ WARNING

Before you plug in an electrical cord or turn on power supply, make sure all controls are in the OFF position.

---

---

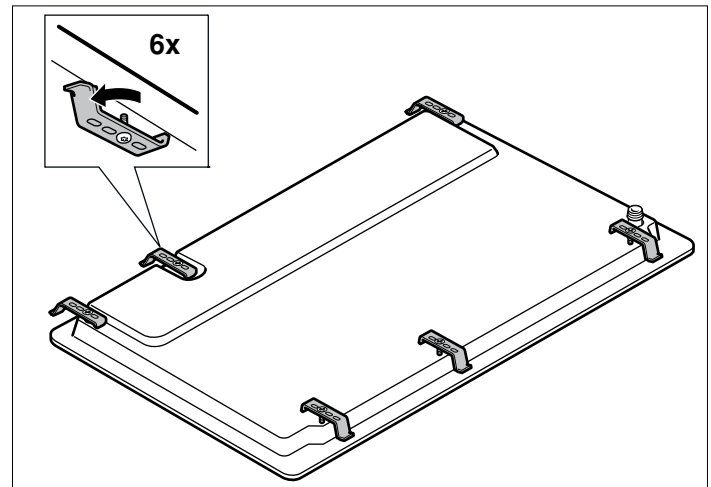
### ⚠ CAUTION

Sharp edges. Use protective gloves when installing the cooktop.

---

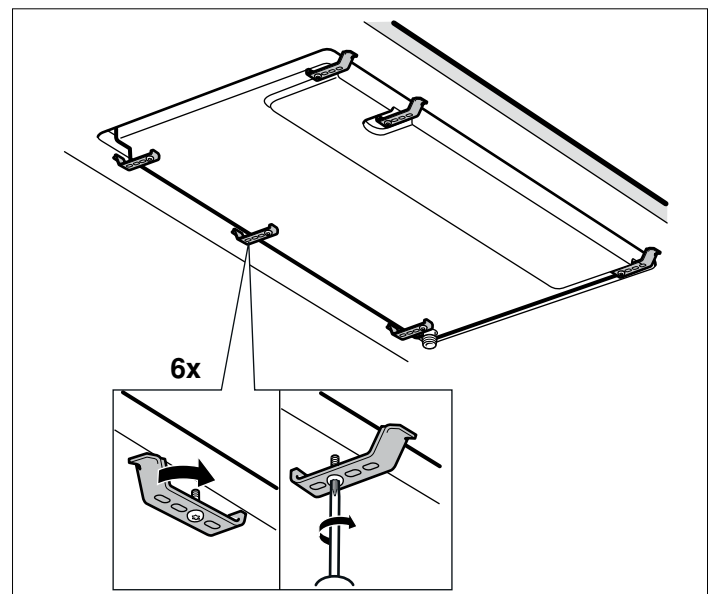
IMPORTANT: A foam tape seal is factory installed on the underside of the cooktop to prevent leaks. Do not remove the seal under any circumstances.

1. Screw each one of the clips into the position shown in the following image, so that they are free to rotate.

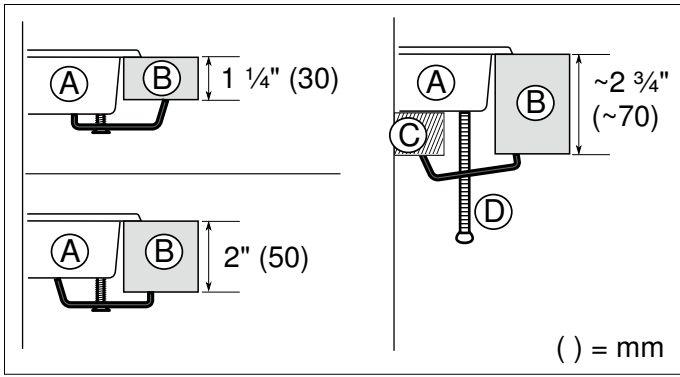


2. Turn the mounting brackets and tighten them fully. The orientation of the mounting brackets depends on how thick the countertop surface is. For countertops between 2" (50 mm) and 2 $\frac{3}{4}$ " (70 mm) thick, insert a wooden block between the end of the adjusting screw and the bottom of the countertop.

**Note:** Do not overtighten adjusting screw.





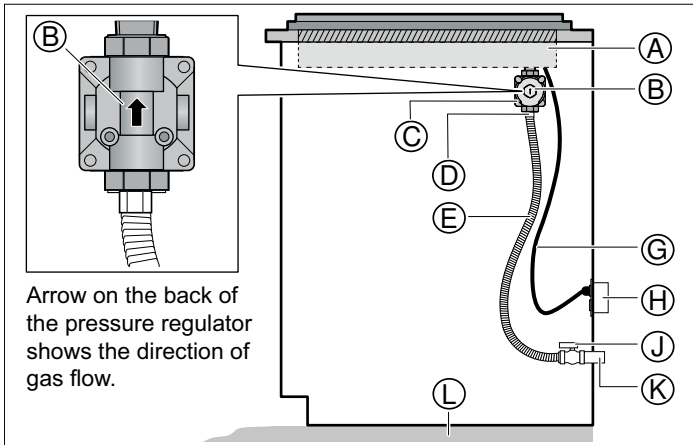


- |          |                                                                                                                                        |
|----------|----------------------------------------------------------------------------------------------------------------------------------------|
| <b>A</b> | Cooktop                                                                                                                                |
| <b>B</b> | Countertop                                                                                                                             |
| <b>C</b> | Wooden block<br>Required for installation in countertops that are between 2" (50 mm) and 2 3/4" (70 mm) thick.                         |
| <b>D</b> | Long adjusting screw<br>Required for installation with wooden block available for purchase from Customer Service (order no. 10011930). |

**NOTICE:** Do not use silicone to glue the cooktop to the countertop surface.

## Connect Gas Supply

### Side View Gas Cooktop Installation



### Gas and Electrical Location

- |          |                             |
|----------|-----------------------------|
| <b>A</b> | Cooktop Rough-in Box        |
| <b>B</b> | Arrow on Pressure Regulator |
| <b>C</b> | Pressure Regulator          |
| <b>D</b> | 1/2" Female Pipe Threads    |
| <b>E</b> | Flexible Gas Line           |
| <b>G</b> | Power Cord (40"/1 m)        |
| <b>H</b> | 120 Volt Receptacle         |
| <b>J</b> | Gas Cut-off Valve           |
| <b>K</b> | Gas Supply Line Stub-out    |
| <b>L</b> | Floor                       |

## Installing the Pressure Regulator

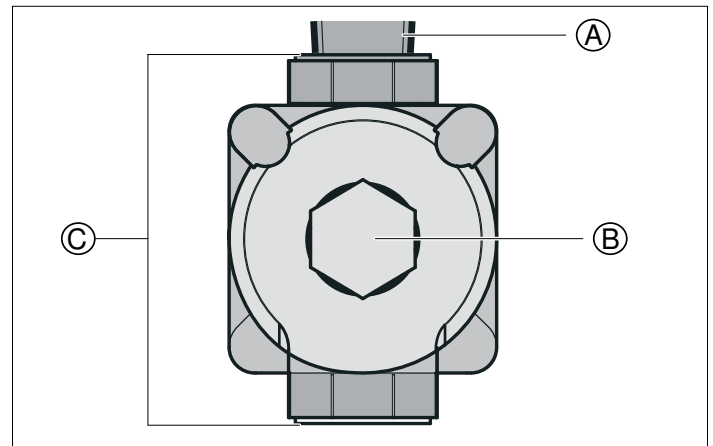
### ▲ WARNING

Do not attempt any adjustment of the pressure regulator, except when converting to propane. Adjustments could lead to leaks or cause incorrect gas pressure to the appliance.

Install the pressure regulator (supplied with unit) to manifold pipe using Teflon tape on threads of manifold pipe. Turn to hand tighten plus 1/4 turn, not exceeding 1 turn for alignment.

To prevent possible damage to the gas pressure regulator, install it after the cooktop is in its permanent position. When the regulator is securely installed on the manifold pipe, the conversion nut will be easily accessible.

For tight installations a suitable kit is available from Customer Service (order no. 00611084)



- |          |                               |
|----------|-------------------------------|
| <b>A</b> | Appliance Manifold Connection |
| <b>B</b> | Conversion Nut                |
| <b>C</b> | Pressure Regulator            |

### Connecting the Gas Supply Line

Connect the gas supply line to the unit pressure regulator using a 1/2" flex gas line connector between manual shut-off valve and pressure regulator. Always use a new flex line.

### Checking Gas Line for Leaks

Check supply line connections for leaks using a soap solution or non-corrosive leak detection fluid. Do not use a flame of any sort.

1. Turn on gas.
2. Apply a soap solution or non-corrosive leak detection fluid to all joints and fittings in the gas connection between the shut-off valve and the cooktop. Include gas fittings and joints in the cooktop if connections may have been disturbed during installation. Bubbles appearing around fittings and connections indicate a leak.
3. If a leak appears, turn off supply line gas shut-off valve and tighten connections.

4. Retest for leaks by turning on the supply line gas shut-off valve. When leak check is complete (no bubbles appear), test is complete.
5. Wipe off all soap solution or detection fluid residue.

**Important Notes for Gas Connection:**

- The appliance and its individual gas shutoff valve must be disconnected from the gas supply piping system during any pressure testing of that system at test pressures in excess of 1/2 psi (3.5kPa).
- The appliance must be isolated from the gas supply piping system by closing its individual manual shut-off valve during any pressure testing of the gas supply piping system at test pressures equal to or less than 1/2 psi (3.5kPa).

**Connect Electrical Supply**

Before connecting the 40" (1 m) supply cord to a wall receptacle, make certain that gas shut-off valve and all burner controls are in OFF position.

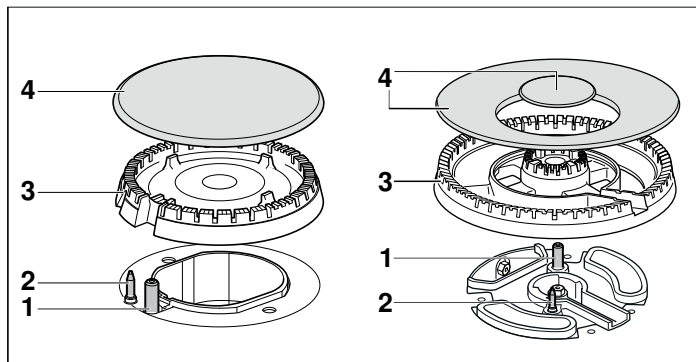
**Burner Cap and Burner Base Placement**

The burner parts must be properly placed for the cooktop to function properly. If the burner parts are not properly placed, one or more of the following may occur:

- Burner flames are too high.
- Flames shoot out of burners.
- Burners do not ignite.
- Burner flames light unevenly.
- Burner emits gas odor.

**Placing Burner Parts**

After electrical connection is complete, assemble the burner parts correctly and evenly. When assembling the burner parts, make sure that the burner head is placed on the base in such a way that the prongs of the burner cap fit snugly into the groove of the burner base.

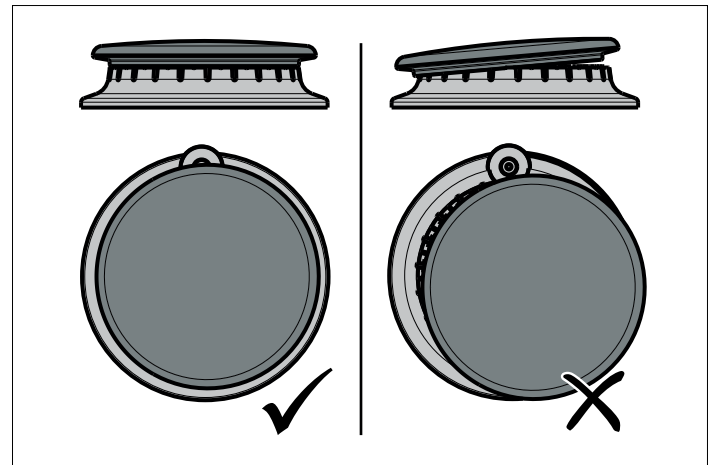


**Parts**

1	Igniter
2	Thermocouple
3	Burner base
4	Burner cap

**Checking Burner Cap Placement**

Check to make sure that there is no gap between the burner parts. You may gently try to move the burner parts from side to side to check if they are properly placed.

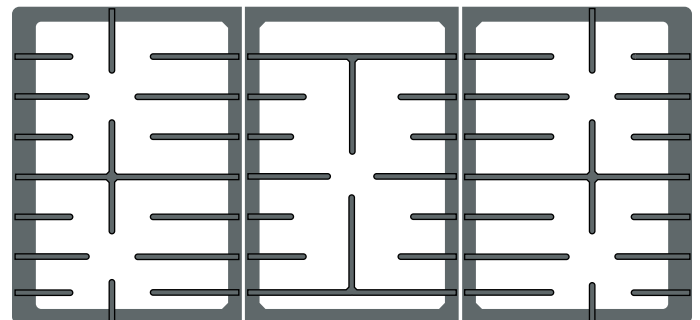


**Install Burner Grates**

Properly position and install each burner grate as shown in the illustration below.

**▲ WARNING**

To prevent flare-ups, properly support pots and avoid spills, all grates must be properly positioned on the cooktop whenever the cooktop is in use. Each of the four feet must be placed into the corresponding dimples in the cooktop. Do not use a grate if the rubber feet are missing or damaged.



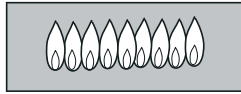
## Check the Installation

Place each correct sized burner cap in its seated, notched position and check the operation of the electric igniters. Check flame characteristics. Flame should be blue with a minimal yellow tip on the outer cone of the flames.

### Checking Flame Characteristics

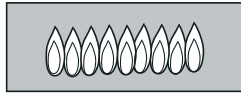
#### Yellow Flames:

Further adjustment is required.



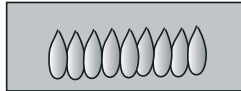
#### Yellow Tips on Outer Cones:

Normal for LP Gas



#### Soft Blue Flames:

Normal for Natural Gas



**Note:** If the flame is completely or mostly yellow, verify that the regulator is set for the correct fuel. After adjustment, retest.

Some yellow streaking is normal during the initial start-up. Allow unit to operate 4-5 minutes and re-evaluate before making adjustments.

## Conversion to LP Gas

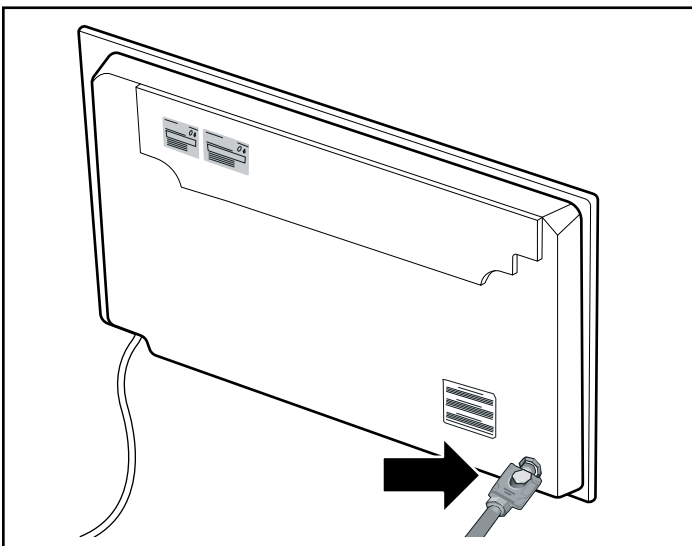
The components required for this are contained in the conversion kit included with this appliance, or are available from Customer Service.

**Important:** After finishing, attach the sticker indicating the new gas type close to the rating label if you change to LP Gas, or remove the sticker if you are changing back to Natural Gas.

### Converting the Pressure Regulator

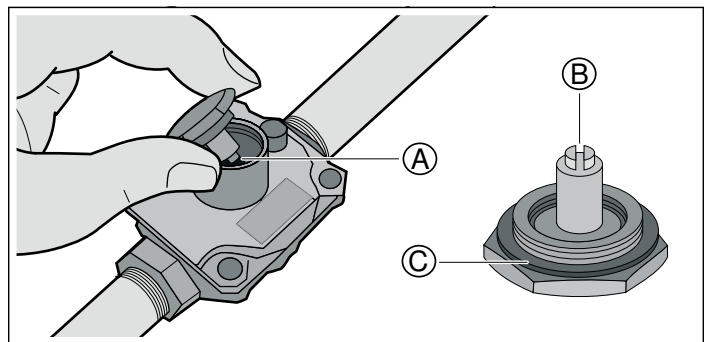
Locate the pressure regulator on the bottom right end of the cooktop.

**Note:** The arrow on the back of the regulator must point in the direction of the gas flow to the cooktop.



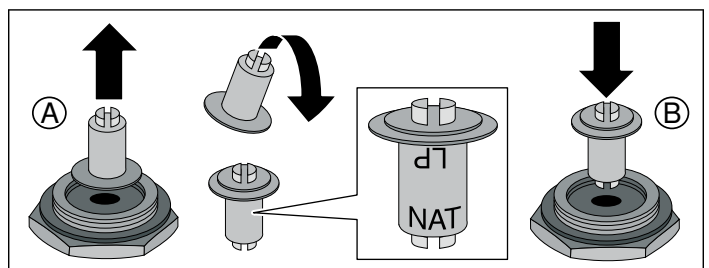
1. Remove the hexagon shaped cap from the regulator making sure not to dislodge the gasket on the cap or the spring inside the regulator.

2. Grasp the plastic button stem firmly and pull it forcefully from the metal cap. The stem snaps snugly into an indent in the cap and may require a strong pull to remove. (Hint: it may be helpful to gently "rock" the plastic stem while pulling it from the metal cap.)

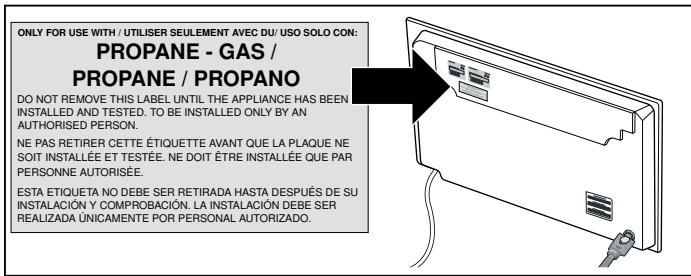


A	Spring
B	Plastic button stem
C	Gasket

3. After removing the stem from the cap, rotate the stem 180° so the button end of the stem is away from the cap and the letters "LP" on the stem are upside down when the cap is set flat on its head. Snap the stem back in place in this position inserting it into the indent in the metal cap. The stem should snap into place.



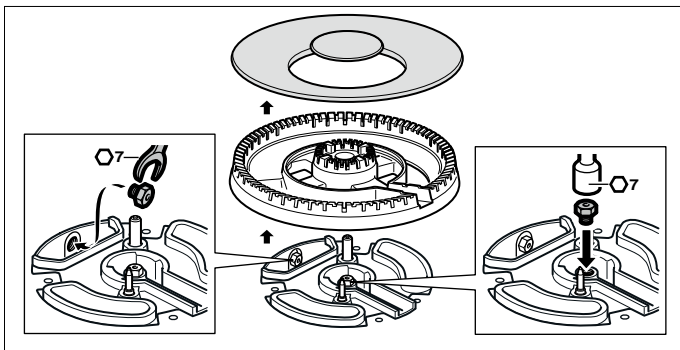
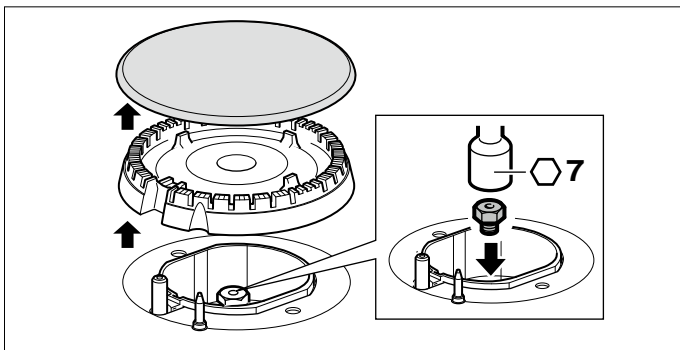
- 4. Important:** Attach the metallic sticker (included with this conversion kit) to the bottom of the appliance as shown, placing it near the appliance data plate (shows model number and information about the appliance). This sticker provides notice that the appliance has been converted for use with LP gas.



## Replacing the Nozzles

### Replacing the nozzles

1. Remove all burner grates, burner caps and burner bases.
2. To replace the nozzles, use a 7 mm socket wrench. See table. It is important to make sure that the nozzles do not become detached during removal or fastening. They must be properly tightened to ensure that there are no leaks. With these burners, there is no need to adjust the primary air.

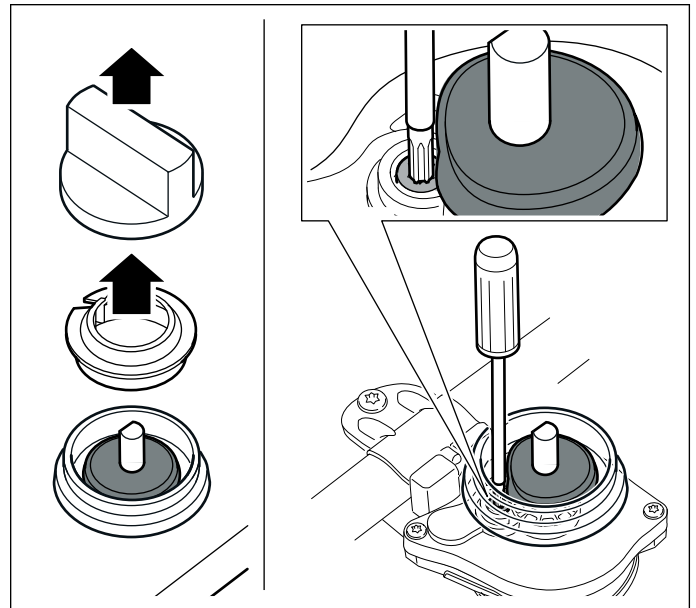


3. Fasten the nozzles and attach the burner caps to the corresponding burners. Put the burner grates in place on the corresponding burners.
4. Attach the sticker indicating the new gas type close to the rating label. Save the nozzles removed from the appliance for future use. If you change the type of gas back to Natural Gas at a later point, remove the sticker.

## Adjusting the Gas Valves

1. Turn the control knobs to the lowest setting.
2. Remove the control knobs from the gas valves and remove the white ring that is underneath. A flexible black rubber sealing ring will be visible. Below the left upper position of that seal, there is a visible black Star T10 screw, partly hidden by the seal. Press the rubber seal aside a bit to meet the screw with a long thin T10 screwdriver. The dual-flame burner has 2 setting screws.

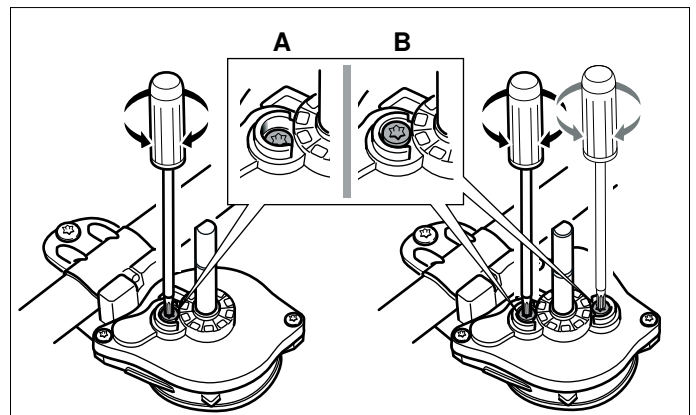
**Never remove the sealing ring.** Sealing rings prevent liquids and dirt from finding their way into the appliance and impairing its ability to function properly.








3. See the following chart for the setting of the gas valve's setting screws (M):  
**A:** LP Gas- The gas valve's setting screws must be tightened properly.  
**B:** Natural Gas- The gas valve's setting screws must finish flush with the fitting.

Make sure the flame does not go out and there are no flashbacks when you turn the control knob between the highest and lowest setting.

Never remove the valve stem. In the event of damage, the gas valve must be completely replaced.



	Gas	Pressure "wc		BTU/h	kW	M (valve adjustment screw setting)
	Natural gas	7	77	3400	1	B
	Propane	11	54	3400	1	A
	Natural gas	7	102	6000	1.76	B
	Propane	11	71	6000	1.76	A
	Natural gas	7	125	9010	2.64	B
	Propane	11	88	9010	2.64	A
	Natural gas	7	1 - 161 2 - 74	17000	4.98	B
	Propane	11	1 - 105 2 - 51	15700	4.6	A

## Customer Service

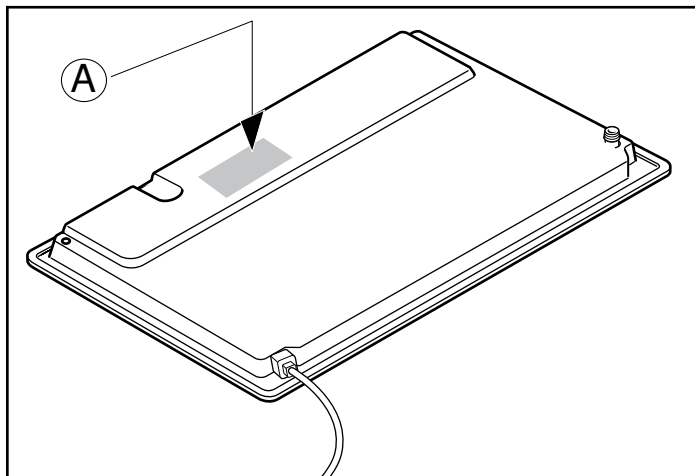
Contact Customer Service if your appliance needs repair (see phone number below). Our Customer Service will be happy to provide you with information about an authorized servicer near you.

### Model (E) number and FD number

When you contact Customer Service, please have the Model (E) number and the FD number for your appliance available.

You can find this information on the rating label:

- in the Appliance Document List
- on the underside of the appliance



A Rating label location

**800-944-2904**  
[www.bosch-home.com](http://www.bosch-home.com)  
 1901 Main Street, Suite 600  
 Irvine, CA 92614

# Table des Matières

<b>▲ Définitions de sécurité</b> .....	<b>14</b>	Exigences pour les placards .....	19
<b>CONSIGNES DE SÉCURITÉ IMPORTANTES</b> .....	<b>15</b>	Exigences concernant le plan de travail .....	20
Utilisation sécuritaire de l'électroménager alimenté au gaz .....	15	Exigences concernant la ventilation .....	20
Installation à altitude élevée .....	16	<b>Procédure d'installation</b> .....	<b>21</b>
Sécurité de manutention des appareils .....	16	Préparation des meubles .....	21
Codes et normes de sécurité .....	16	Installation de la table de cuisson .....	21
Sécurité électrique .....	16	Branchement du gaz .....	22
Sécurité en matière de gaz .....	17	Brancher l'alimentation électrique .....	23
Installation au gaz propane .....	17	Positionnement du chapeau et de la base du brûleur .....	23
Équipement de sécurité .....	17	Installation des grilles du brûleur .....	24
<b>Avant de commencer</b> .....	<b>19</b>	Vérification de l'installation .....	24
Outils et pièces nécessaires .....	19	<b>Conversion gaz de PL</b> .....	<b>25</b>
Pièces incluses .....	19	Conversion du régulateur de pression .....	25
Dimensions de l'appareil électroménager .....	19	Remplacement des buses .....	26
Conditions générales .....	19	Ajustement des soupapes de gaz .....	26
Exigences électriques .....	19	<b>Service après-vente</b> .....	<b>27</b>
Exigences en matière de gaz .....	19		

Question ?  
1-800-944-2904  
www.bosch-home.com  
1901 Main Street, Suite 600  
Irvine, CA 92614  
Nous attendons de vos nouvelles.

## ▲ Définitions de sécurité

### ▲ AVERTISSEMENT

Ceci indique que le non-respect de cet avertissement peut entraîner des blessures graves, voire la mort.

### ▲ ATTENTION

Ceci indique que le non-respect de cet avertissement peut entraîner des blessures légères ou de gravité moyenne.


**AVIS :** Ceci indique que la non-conformité à cet avis de sécurité peut entraîner des dégâts matériels ou endommager l'appareil.

**Remarque :** Ceci vous signale des informations et/ou indications importantes.

# **CONSIGNES DE SÉCURITÉ IMPORTANTES**

LIRE ET CONSERVER CES INSTRUCTIONS

Utilisation sécuritaire de l'électroménager alimenté au gaz :

 **AVERTISSEMENT** : Si les directives ne sont pas suivies à la lettre, il y a un risque d'incendie ou d'explosion pouvant entraîner des dommages matériels, des blessures ou un décès.

- Ne pas conserver ou utiliser de l'essence ou d'autres liquides ou vapeurs inflammables à proximité de cet appareil ou de tout autre appareil.
- **QUE FAIRE SI VOUS PERCEVEZ UNE ODEUR DE GAZ**
  - Ne pas essayer de mettre un appareil sous tension.
  - Ne pas toucher d'interrupteur de courant électrique.
  - Ne pas utiliser de téléphones dans l'édifice.
  - Communiquer immédiatement avec le fournisseur de gaz depuis l'appareil téléphonique d'un voisin. Respecter les directives du fournisseur de gaz.
  - S'il s'avère impossible de joindre le fournisseur de gaz, communiquer avec les pompiers.
- Utiliser les services d'un installateur ou d'une agence de services qualifiés ou le fournisseur de gaz pour procéder à l'installation et aux réparations.

## **AVERTISSEMENT :**

Ne jamais faire fonctionner la surface de la table de cuisson de cet appareil sans surveillance.

- Le non-respect de cet avertissement pourrait entraîner un risque d'incendie, d'explosion ou de brûlure qui pourrait provoquer des dommages matériels, des blessures ou un décès.
- En cas d'incendie, se tenir à l'écart de l'appareil et appeler immédiatement les pompiers.

**NE PAS ESSAYER D'ÉTEINDRE UN INCENDIE DE GRAISSE OU D'HUILE AVEC DE L'EAU.**

# **CONSIGNES DE SÉCURITÉ IMPORTANTES**

## LIRE ET CONSERVER CES INSTRUCTIONS

**IMPORTANT** : IL FAUT FAIRE POSER L'APPAREIL PAR UN INSTALLATEUR QUALIFIÉ.

INSTALLATEUR : LAISSEZ CES INSTRUCTIONS AVEC L'APPAREIL APRÈS UNE FOIS L'INSTALLATION TERMINÉE. IMPORTANT : À CONSERVER POUR L'USAGE DE L'INSPECTEUR LOCAL.

PROPRIÉTAIRE : PRIÈRE DE CONSERVER CES CONSIGNES POUR RÉFÉRENCE ULTÉRIEURE.

---

### AVERTISSEMENT

Si l'information de ce guide n'est pas suivie exactement, il peut en résulter un incendie ou un choc électrique causant des dommages à la propriété, des blessures ou la mort.

---

---

### AVERTISSEMENT

Ne réparez, remplacez, ni ne retirez aucune partie de l'appareil, excepté si les manuels recommandent de le faire. Une installation, un entretien ou une inspection incorrects peuvent occasionner des blessures ou des dommages matériels. Reportez-vous au présent manuel pour obtenir des indications. Toute autre intervention doit être effectuée par un technicien agréé.

---

---

### AVERTISSEMENT

Couper l'alimentation électrique et de gaz avant toute réparation.

---

## Installation à altitude élevée

Cet appareil a été testé pour fonctionner à une altitude allant jusqu'à 3 078 m (10 100 pi) au-dessus du niveau de la mer.

Le cas échéant, il faudrait procéder à des ajustements pour les utiliser à des altitudes au-dessus de 610 m (2 000 pi). Veuillez vérifier les brûleurs au réglage le plus bas. Si la flamme est instable, haussez la flamme de mijotage jusqu'à ce qu'elle soit stable. Vous pouvez le faire en réglant la vis de dérivation de la soupape. Si la flamme réagit de manière satisfaisante, aucun ajustement n'est requis. Lors de l'installation, il est obligatoire de faire appel à un professionnel certifié pour procéder aux réglages d'utilisation à altitude élevée.

## Sécurité de manutention des appareils



Certaines surfaces peuvent avoir des bords tranchants. Faire attention en étendant le bras derrière l'appareil ou en dessous.

## Codes et normes de sécurité

Ce appareil est conforme à la norme suivante :

### **ANSI Z21.1/CSA 1.1, Appareils électroménagers pour la cuisson à gaz**

Il incombe au propriétaire et à l'installateur de déterminer si des exigences et/ou normes additionnelles s'appliquent pour des installations spécifiques.

L'installation doit être conforme aux codes locaux ou, en l'absence de tels codes, au National Fuel Gas Code ANSI Z223.1/NFPA 54 ou, au Canada, au code national CSA B149.1 d'installation du gaz naturel et du propane.

L'appareil doit être mise à la terre en conformité aux codes locaux, ou en l'absence de tels codes, à la dernière version du National Electric Code NFPA 70 ou, au Canada, au code canadien de l'électricité CSA C22.1-02.

## Sécurité électrique

---

### AVERTISSEMENT

Avant tout raccordement de cordon électrique ou toute mise sous tension, assurez-vous que toutes les commandes sont en position OFF (d'arrêt).

---

Pour les appareils dotés d'un cordon et d'une fiche, ne pas couper ou enlever la broche de mise à la terre. Le cordon doit être branché dans une prise de courant adaptée de type mise à la terre pour éviter tout risque d'électrocution. S'il y a un doute en ce qui concerne la mise à la terre de la prise murale, le client devra s'adresser à un électricien qualifié.

N'utilisez pas de rallonge.

N'utilisez pas d'adaptateur.

S'il y a lieu, conformément au Code national de l'électricité (ou au Code canadien de l'électricité), cet appareil doit être installé sur un circuit de dérivation séparé.

Le disjoncteur doit avoir une séparation de contact de 3 mm. minimum pour tous les pôles.

S'assurer que l'appareil est installé et mis à la terre par un technicien qualifié. L'installation, les connexions électriques et la mise à la terre doivent être conformes à tous les codes applicables.

Avant l'installation, mettre l'appareil hors service au panneau de service. Verrouiller le panneau d'entrée d'électricité pour éviter que le courant ne soit accidentellement rétabli.

Installateur – Indiquer au propriétaire l'emplacement du disjoncteur ou du fusible. Identifier sa position pour pouvoir le retrouver facilement.



# **CONSIGNES DE SÉCURITÉ IMPORTANTES**

## LIRE ET CONSERVER CES INSTRUCTIONS

### Sécurité en matière de gaz

Installer un robinet d'arrêt de gaz à proximité de l'appareil. Celui-ci doit être facilement accessible en cas d'urgence.

Les essais d'étanchéité doivent être effectués par l'installateur conformément aux instructions du présent manuel.

L'appareil et le robinet individuel de fermeture à commande manuelle dont il est muni doivent être déconnectés du système de canalisations de gaz lors de tout contrôle de pression où la pression d'essai est supérieure à ½ psi (3,5 kPa).

L'appareil doit être isolé du système de canalisations de gaz en fermant le robinet individuel de fermeture à commande manuelle dont il est muni pendant tout contrôle de pression du système de canalisations de gaz à des pressions d'essai inférieures ou égales à ½ psi (3,5 kPa).

La pression minimale d'alimentation doit être de 1 po CE au-dessus de la pression du distributeur, tel qu'indiqué sur la plaque signalétique.

La pression maximale d'alimentation ne pas dépasser 14 po CE (34,9 millibars).

**AVIS DE SÉCURITÉ IMPORTANT :** l'incinération de combustible gazeux de cuisson peut générer des sous-produits qui figurent sur la liste des substances reconnues par l'État de Californie comme étant cancérigènes ou nuisibles à la reproduction. Pour minimiser l'exposition à ces substances, toujours faire fonctionner cet appareil conformément aux instructions contenues dans cette brochure et assurer une bonne ventilation.

### Avertissement issu de la proposition 65 :

Ce produit pourrait contenir un produit chimique reconnu par l'État de la Californie comme cancérigène ou ayant des effets nocifs sur la reproduction. Par conséquent, l'emballage de votre produit pourrait porter l'étiquette suivante, comme requis par la Californie :

**AVERTISSEMENT ISSUE DE LA PROPOSITION 65 DE L'ÉTAT DE LA CALIFORNIE :**

 **AVERTISSEMENT**

Cancer et dommages à la reproduction -  
[www.P65Warnings.ca.gov](http://www.P65Warnings.ca.gov)

### Installation au gaz propane

La bouteille de gaz propane doit comporter son propre régulateur haute pression. De plus, le régulateur fourni avec cet appareil doit également être utilisé.

L'appareil électroménager est livré de l'usine prêt à utiliser avec du gaz naturel. Il doit être converti pour usage avec gaz propane. Un technicien qualifié ou un installateur certifié doit procéder à la conversion.

Si l'appareil doit être utilisé avec du gaz propane, il doit être converti conformément aux instructions pour la conversion au gaz propane.

### Pour les installations dans l'État du Massachusetts

- L'installation doivent être effectuée par un entrepreneur qualifié ou titulaire d'une licence, un plombier ou un monteur d'installation au gaz qualifié ou titulaire d'une licence octroyée par l'État, la province ou la région où cet appareil est installé.
- Le robinet d'arrêt doit être un robinet de gaz muni d'une poignée en « T ».
- La longueur du raccord flexible de gaz ne doit pas dépasser 36 pouces.

Installateur - montrez au propriétaire où se trouve le robinet d'arrêt de gaz.

### Équipement de sécurité

Utilisez uniquement l'appareil électroménager s'il a été installé par un technicien qualifié conformément aux présentes instructions d'installation. Le fabricant ne peut pas être tenu responsable de tous dommages causés par une installation inadéquate.

Enlever le ruban adhésif et l'emballage avant d'utiliser l'appareil. Détruire l'emballage après avoir déballé l'appareil. Ne jamais laisser les enfants jouer avec les matériaux de conditionnement.

Ne jamais modifier ni altérer la configuration de l'appareil. Par exemple, ne pas retirer les pieds de nivellement, les panneaux, les couvercles de câblage ou les fixations/vis antibasculement.

Pour éliminer le risque de brûlures ou d'incendie lorsque l'on allonge le bras au-dessus des éléments de surface chauds, éviter d'installer des placards au-dessus des éléments de surface. Si l'installation de placards est prévue, le risque peut être réduit en installant une hotte aspirante qui dépasse horizontalement d'au moins 5 po (127 mm) la base du placard.

Vérifiez que la profondeur des armoires situées au-dessus de la table de cuisson ne dépasse pas 13 po (330 mm).

Lors de l'installation de la table de cuisson sur un four simple, prendre bien soin de suivre les instructions des manuels d'installation du four et de la table de cuisson.

Dans la liste du document de l'appareil électroménager, vous trouverez la liste des combinaisons de tables de cuisson et de fours approuvées ou communiquez avec le service après-vent pour obtenir la dernière liste des combinaisons approuvées. Ne pas essayer d'installer la table de cuisson au-dessus de n'importe quel four non énuméré dans cette liste.

# **CONSIGNES DE SÉCURITÉ IMPORTANTES**

LIRE ET CONSERVER CES INSTRUCTIONS

## **Recommandations sur la ventilation**

Il est vivement recommandé d'installer une hotte aspirante au-dessus de cet appareil. La hotte aspirante doit être installée conformément aux instructions qui l'accompagnent.

---

## **ATTENTION**

L'appareil ne devrait pas être installé avec un système de ventilation qui souffle l'air vers les brûleurs. Ce type de système de ventilation peut causer des problèmes d'allumage et de combustion avec l'appareil de cuisson au gaz et pourrait provoquer des blessures ou nuire au fonctionnement normal.

---

# Avant de commencer

## Outils et pièces nécessaires

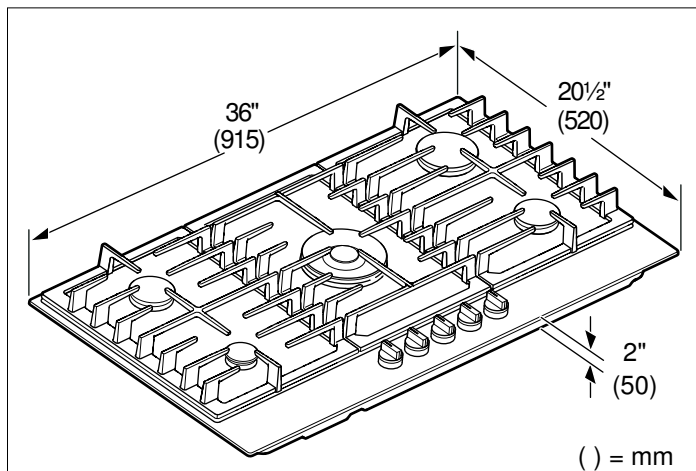
- Tournevis à tête Phillips
- Tournevis à lame plate de précision
- Ruban à mesurer
- Ruban de teflon (de classe Gaz)
- Clé réglage ou pince multiprise

## Pièces incluses

- Table de cuisson
- Équerres de fixation (6)
- Vis à tôle DIN7982 4,2 x 25 (1 po) (6)
- Grilles de brûleur (3)
- Brûleurs (5)
- Chapeaux de brûleur (6)
- Chapeau OptiSim® (1)
- Régulateur de pression
- Trousse de conversion au gaz de PL

**Remarque :** Si des pièces sont manquantes ou endommagées, communiquer avec le service après-vente ou écrire à l'adresse indiquée à la troisième de couverture.

## Dimensions de l'appareil électroménager



## Conditions générales

- Les armoires qui recevront la table de cuisson doivent être solides et stables.
- Le revêtement laminé et la colle des armoires adjacentes à la table de cuisson doivent être composés de matériel ininflammable et à l'épreuve de la chaleur.
- Cet appareil électroménager ne peut pas être installé au-dessus d'un réfrigérateur, d'une laveuse, d'un lave-vaisselle ou d'appareils semblables.
- En présence d'un four sous la table de cuisson, l'épaisseur précisée pour la surface du plan de travail peut dépasser épaisseur minimale énoncée dans ces

directives. Respectez les renseignements fournis dans les directives d'installation du four.

## Exigences électriques

### ⚠ ATTENTION

Ne pas utiliser une rallonge avec la table de cuisson.

Cet électroménager a besoin d'un raccord de 60 Hz, 15 A, 120 volts c.a. Planifier l'installation de sorte que le raccord électrique est accessible de l'avant de l'armoire.

## Exigences en matière de gaz

La table de cuisson est livrée de l'usine prête à fonctionner au gaz naturel. Pour une conversion au gaz de PL, un technicien ou un installateur homologué doit y procéder.

Pression d'admission :

- **Gaz naturel :** 7 po de colonne d'eau (17,4 millibars)
- **Gaz propane :** 11 po de colonne d'eau (27,4 millibars)

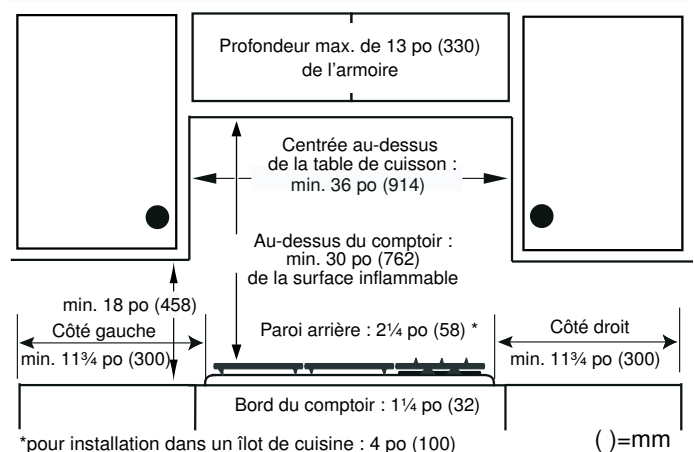
Le réservoir de gaz propane doit être doté de son propre régulateur de pression élevée en plus du régulateur de pression fourni avec cet appareil.

## Exigences pour les placards

- Les directives sont fondées sur des armoires normales (aux États-Unis) de 36 po (91 cm) de hauteur et de 24 po (61 cm) de profondeur avec un plan de travail à 25 po (63 cm).
- La profondeur maximale de l'armoire installée au-dessus de la table de cuisson est de 13 po (33 cm).

**Remarque :** Il faut respecter précisément toutes les mesures fournies. Dans le cas d'armoires hors normes, s'assurer qu'elles respectent les dimensions minimales d'installation indiquées.

Planifier l'installation de l'appareil de sorte que le cordon d'alimentation, le robinet d'arrêt et le régulateur de pression du gaz sont accessibles de l'avant de l'armoire.



Pour une installation dans un îlot de cuisine, il faut maintenir une distance minimum de 4 po (100 mm) entre la table de cuisson et le bord du plan de travail.

### Raccordement

- Planifier l'installation de l'appareil de sorte que le cordon d'alimentation, le robinet d'arrêt et le régulateur de pression du gaz sont accessibles de l'avant de l'armoire.
- La conduite d'alimentation en gaz ne doit pas nuire à l'arrière de l'appareil.
- S'assurer que le robinet d'arrêt manuel est fermé pour couper l'alimentation en gaz avant de raccorder le gaz à l'appareil électroménager.

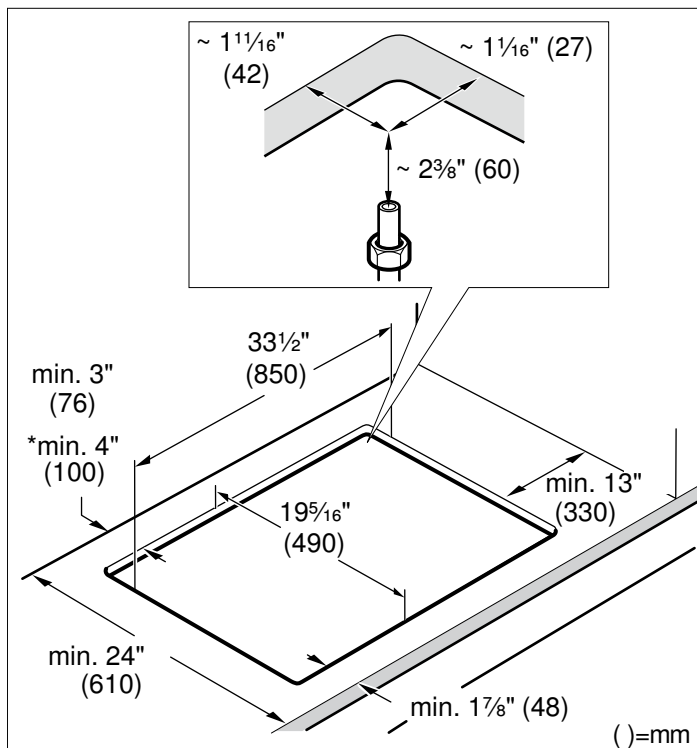
### Exigences concernant le plan de travail

#### ▲ AVERTISSEMENT

Pour réduire le risque d'inflammation des matériaux combustibles adjacents, l'installation doit laisser un dégagement d'au moins 1 1/4 po (300 mm) entre la table de cuisson et les murs latéraux et d'au moins 2 1/4 po (58 mm) entre la table de cuisson et le mur arrière.

Le plan de travail doit être de niveau et horizontal. Le plan de travail doit rester stable après la découpe.

**Remarque :** Il faut respecter précisément toutes les mesures fournies. Dans le cas d'armoires hors normes, assurez-vous qu'elles ont les dimensions minimales d'installation indiquées sur l'image ci-dessous.



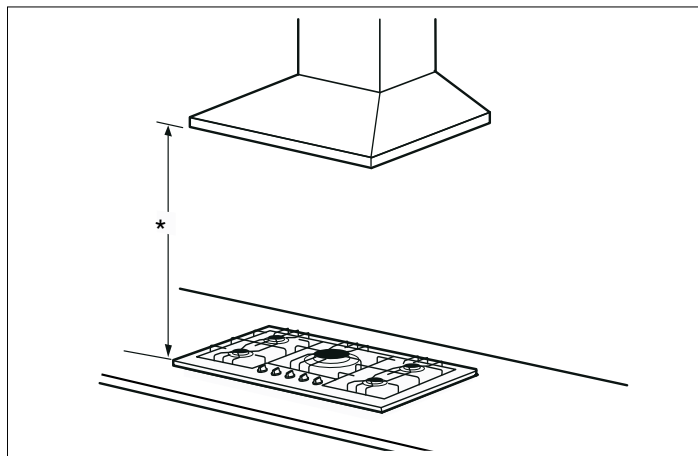
\* pour installation dans un îlot de cuisine

### Exigences concernant la ventilation

Nous recommandons vivement l'installation d'un système de ventilation avec l'appareil électroménager. Il doit être installé conformément aux consignes d'installation fournies avec le système de ventilation.

#### ▲ ATTENTION

L'appareil électroménager ne doit pas être installé avec un système de ventilation qui souffle l'air vers le bas en direction des brûleurs. Ce type de système de ventilation peut entraîner des problèmes d'allumage et de combustion avec l'appareil de cuisson au gaz pouvant causer des blessures corporelles ou un fonctionnement indésirable.



\* Lors d'une installation en combinaison avec une hotte, consultez les exigences d'installation du fabricant de la hotte.

# Procédure d'installation

## Préparation des meubles

Préparez la découpe du plan de travail selon les illustrations d'installation. Maintenez un angle de coupe de 90 degrés par rapport au plan de travail.

Après la découpe, retirez les copeaux. Étanchéifiez les surfaces de coupe avec un produit scellant à l'épreuve de la chaleur.

Certaines surfaces solides de plan de travail exigent une installation spéciale. Par exemple, il peut être nécessaire d'appliquer du ruban réflecteur de chaleur et de découper des coins ronds. Communiquez avec le fabricant du plan de travail pour connaître les directives spécifiques à ce dernier.

### ⚠ AVERTISSEMENT

Pour éviter tout danger d'électrocution avant d'installer la table de cuisson, coupez l'alimentation au boîtier à fusibles ou des disjoncteurs pour éviter que l'alimentation soit rétablie accidentellement.

Découpez le plan de travail aux dimensions indiquées dans la section « Exigences concernant le plan de travail ».

Si aucun four n'est installé sous la table de cuisson, installer un plancher intermédiaire ininflammable (par ex., métal ou contreplaqué) à  $\frac{3}{8}$  po (10 mm) de la base de la table de cuisson. Cette couche bloquera l'accès à la base de la table de cuisson.

La distance entre le plancher intermédiaire et le raccord de l'alimentation électrique de l'appareil électroménager doit être d'au moins  $\frac{3}{8}$  po (10 mm).

## Installation de la table de cuisson

### ⚠ AVERTISSEMENT

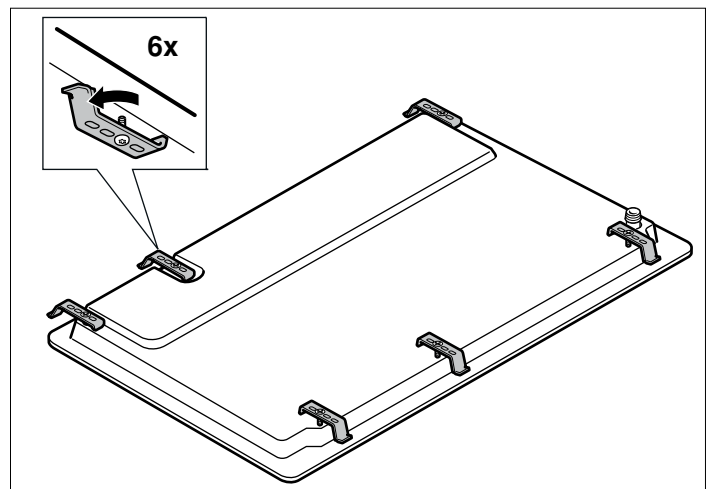
Avant tout raccordement de cordon électrique ou toute mise sous tension, assurez-vous que toutes les commandes sont en position OFF (d'arrêt).

### ⚠ ATTENTION

Bords coupants. Mettre des gants de protection pendant l'installation de la table de cuisson.

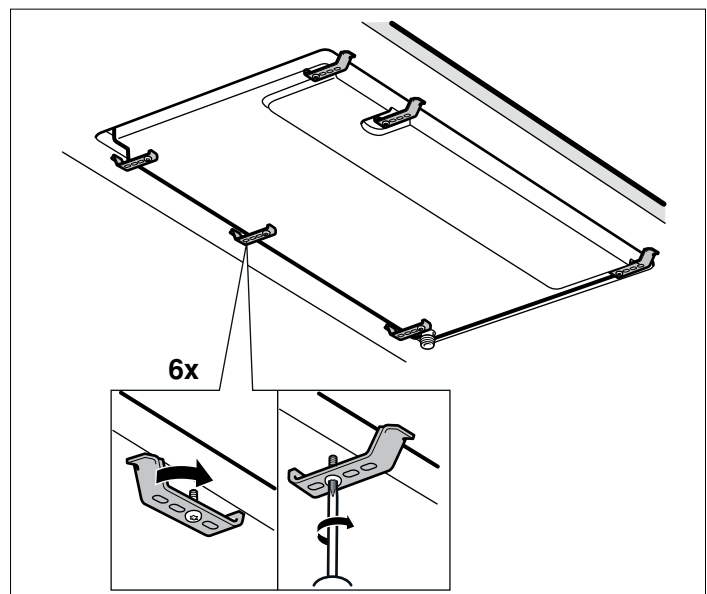
**IMPORTANT :** un ruban de mousse scellant est installé en usine sous la table de cuisson pour prévenir les fuites. Ne jamais retirer le scellant.

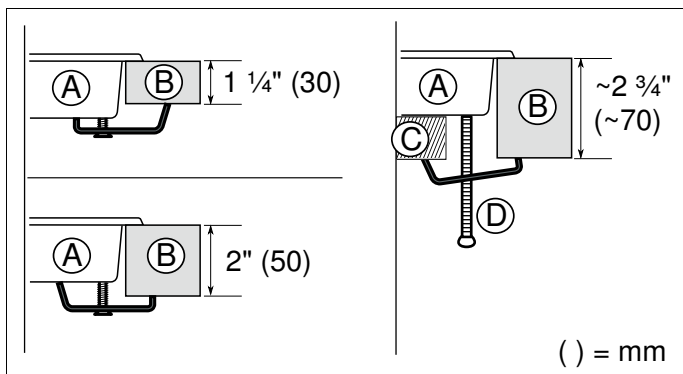
1. Vissez chacune des attaches dans la position indiquée sur l'image qui suit, pour que chacune puisse tourner librement.



2. Tourner les équerres de fixation et les visser complètement. L'orientation des équerres de fixation dépend de l'épaisseur de la surface du plan de travail. Pour les plans de travail entre 2 po (50 mm) et  $2\frac{3}{4}$  po (70 mm) d'épaisseur, insérer un bloc de bois entre l'extrémité de la vis de réglage et le dessous du plan de travail.

**Remarque :** Ne pas trop serrer la vis de réglage.



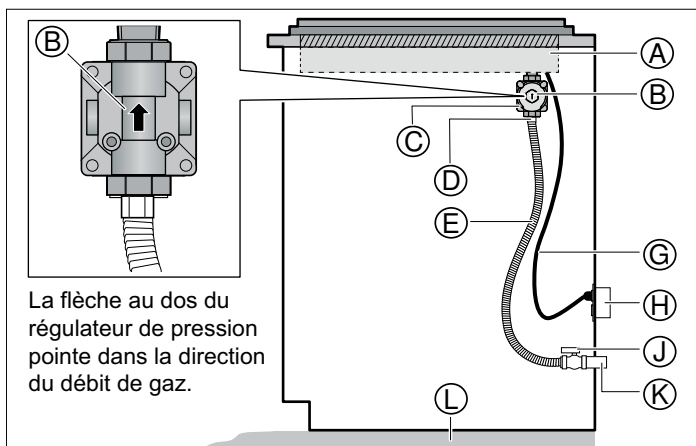


- A** Table de cuisson
- B** Plan de travail
- C** Bloc de bois  
Requis pour une installation sur plans de travail entre 2 po (50 mm) et 2 3/4 po (70 mm) d'épaisseur.
- D** Vis de réglage longue  
Requise pour une installation avec un bloc de bois disponible auprès du service après-vente (no de commande 10011930).

**AVIS :** Ne pas utiliser de silicone pour coller la table de cuisson à la surface du plan de travail.

## Branchement du gaz

### Vue latérale de l'installation de la table de cuisson à gaz



### Emplacement du gaz et de l'électricité

- A** Boîtier de la robinetterie brute de la table de cuisson
- B** Flèche sur le régulateur de pression
- C** Régulateur de pression
- D** Tuyau de 1/2 po à filets femelles
- E** Conduite de gaz souple
- G** Cordon d'alimentation (40 po/1 m)
- H** Prise de 120 volts
- J** Robinet d'arrêt du gaz
- K** Embout pour la conduite d'alimentation en gaz
- L** Plancher

## Installation du régulateur de pression

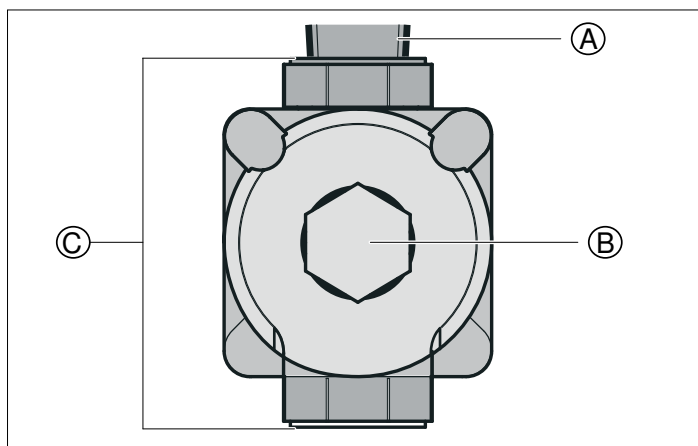
### ▲ AVERTISSEMENT

N'essayez pas d'ajuster le régulateur de pression à moins de convertir l'appareil électroménager au propane. Les réglages peuvent entraîner des fuites ou une mauvaise pression en direction de l'appareil électroménager.

Installez le régulateur de pression (fourni avec l'appareil) au tuyau collecteur avec du ruban teflon sur les filets de ce dernier. Serrez à la main puis tournez 1/4 de tour de plus sans excéder 1 tour, pour l'alignement.

Pour éviter d'endommager le régulateur de pression de gaz, installez-le après avoir mis la table de cuisson dans sa position permanente. Une fois le régulateur solidement fixé sur le tuyau collecteur, il sera facile d'accéder à l'écrou de conversion.

Pour les installations dans des endroits restreints, une trousse adéquate est disponible auprès du service après-vente (no de commande 00611084)



- A** Raccord du tuyau collecteur de l'appareil
- B** Écrou de conversion
- C** Régulateur de pression

### Raccordement de la conduite d'alimentation en gaz

Raccordez la conduite d'alimentation en gaz au régulateur de pression de l'appareil avec un connecteur souple de gaz de 1/2 po entre le robinet d'arrêt manuel et le régulateur de pression. Utilisez toujours une conduite souple neuve.

### Inspection des fuites de la conduite de gaz

Vérifiez la présence de fuites des conduites d'alimentation au moyen d'une solution savonneuse ou d'un liquide de détection de fuites non corrosif. Ne jamais utiliser une flamme sans égard à son type.

- Ouvrez le gaz.
- Appliquez une solution savonneuse ou un liquide de détection de fuites non corrosif à toutes les jonctions et tous les raccords des conduites de gaz entre le robinet d'arrêt et la table de cuisson. Incluez les raccords et les jonctions de gaz de la table de cuisson

si les raccords auraient pu être déréglés au cours de l'installation.

Une bulle qui apparaît autour d'un raccordement indique une fuite.

3. En présence d'une fuite, coupez l'alimentation en gaz en fermant le robinet d'arrêt et serrez le ou les raccords qui fuient.
4. Testez de nouveau la présence de fuites en ouvrant le robinet d'arrêt de l'alimentation de gaz. Quand aucune bulle n'apparaît, le test de fuite est terminé.
5. Essuyez tout résidu de la solution savonneuse ou du liquide de détection de fuite.

#### Remarques importantes pour les raccords de gaz :

- L'appareil et son propre robinet d'arrêt doivent être déconnectés de la canalisation du système d'alimentation en gaz au cours de tests de pression de ce système aux pressions qui dépassent 1/2 psi (3,5 kPa).
- L'appareil électroménager doit être isolé de la canalisation du système d'alimentation en gaz en fermant son propre robinet d'arrêt manuel pour tout test de pression de la canalisation du système d'alimentation en gaz à des pressions égales ou inférieures à 1/2 psi (3,5 kPa).

#### Brancher l'alimentation électrique

Avant de raccorder le cordon d'alimentation de 40 po. (1 m) à une prise murale, s'assurer que le robinet d'arrêt et toutes les commandes de brûleur sont en position fermée.

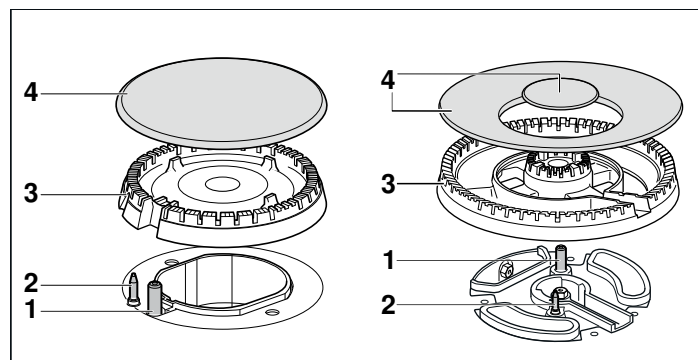
#### Positionnement du chapeau et de la base du brûleur

Il faut que les pièces de brûleurs soient correctement positionnées pour le bon fonctionnement de la table de cuisson. Un ou plusieurs problèmes peuvent survenir si une pièce de brûleur n'est pas bien positionnée :

- La flamme du brûleur est trop élevée.
- Des flammes jaillissent des brûleurs.
- Les brûleurs ne s'allument pas.
- La flamme du brûleur n'est pas uniforme.
- Une odeur de gaz se dégage du brûleur.

#### Positionnement des pièces du brûleur

À la fin du raccordement électrique, assemblez correctement les pièces du brûleur pour qu'elles soient de niveau. Lors de l'assemblage des pièces du bonheur, assurez-vous que la tête de brûleur soit bien installée sur la base de sorte que les pattes de chapeau du brûleur soient bien ajustées dans la goutlotte de la base.

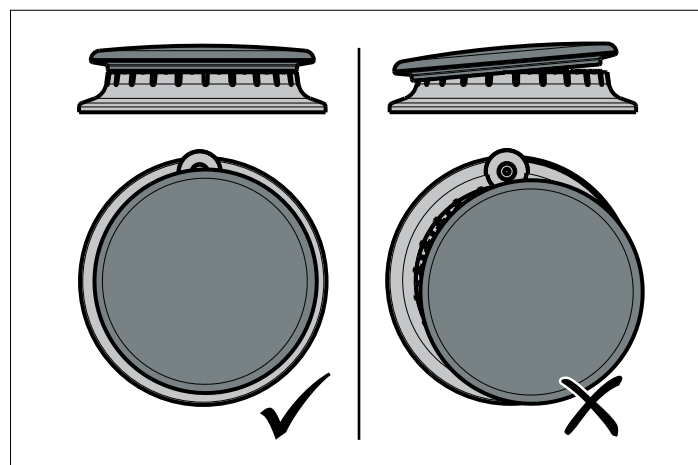


#### Pièces

1	Allumeur
2	Thermocouple
3	Base du brûleur
4	Chapeau du brûleur

#### Vérification du positionnement du chapeau du brûleur

Assurez-vous qu'il n'y a aucun espace entre les pièces du brûleur. Vous pouvez essayer de bouger délicatement les pièces du brûleur pour vérifier si elles sont correctement positionnées.



## Installation des grilles du brûleur

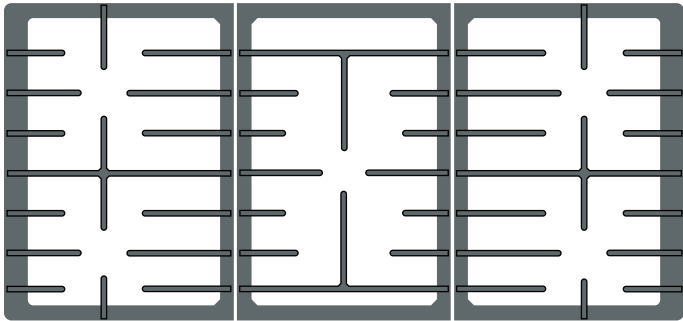
Positionnez et installez correctement la grille de chaque brûleur comme illustré ci-dessous.

---

### ▲ AVERTISSEMENT

Pour éviter des flambées, toutes les grilles doivent être bien positionnées sur la table de cuisson à chaque utilisation pour bien soutenir les casseroles et éviter les éclaboussures. Chacun des quatre pieds doit s'appuyer dans les petites dépressions correspondantes de la table de cuisson. Ne pas utiliser une grille si les pieds de caoutchouc sont manquants ou endommagés.

---



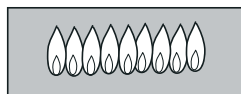
## Vérification de l'installation

Insérer chaque chapeau de brûleur du bon diamètre en place sur la rainure et vérifier le fonctionnement des allumeurs électriques. Vérifier les caractéristiques de la flamme. La flamme doit être bleue avec une toute petite extrémité jaune sur le cône extérieur des flammes.

### Vérification des caractéristiques de la flamme

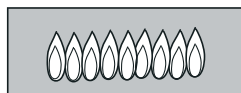
#### Flammes jaunes :

Réglages supplémentaires requis.



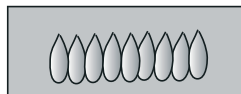
#### Extrémités des cônes externes jaunes :

Normales pour un gaz de pétrole liquéfié



#### Flammes bleues douces :

Normales pour le gaz naturel



---

**Remarque :** Si la flamme est entièrement ou presque toute jaune, vérifier si le régulateur est réglé au bon combustible. Après le réglage, procéder à un nouveau test.

Au cours du démarrage initial, il est normal que la flamme soit bigarrée de jaune. Laisser l'appareil fonctionner de quatre à cinq minutes puis réévaluer avant de procéder aux réglages.



# Conversion gaz de PL

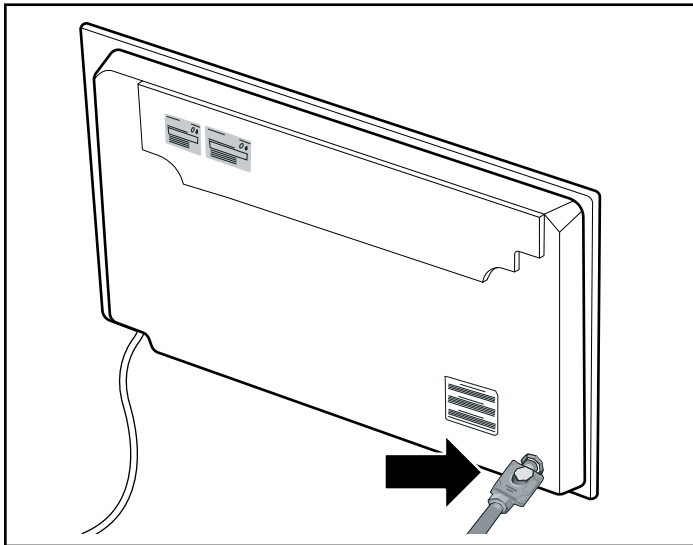
Les composants nécessaires à la conversion sont inclus dans la trousse de conversion livrée avec l'appareil ou sont disponibles auprès du service après-vente.

**Important :** À la fin de la conversion au gaz de PL, veillez à apposer à côté de l'étiquette de cote, l'adhésif indiquant le nouveau type de gaz et retirer l'adhésif si vous revenez au gaz naturel.

## Conversion du régulateur de pression

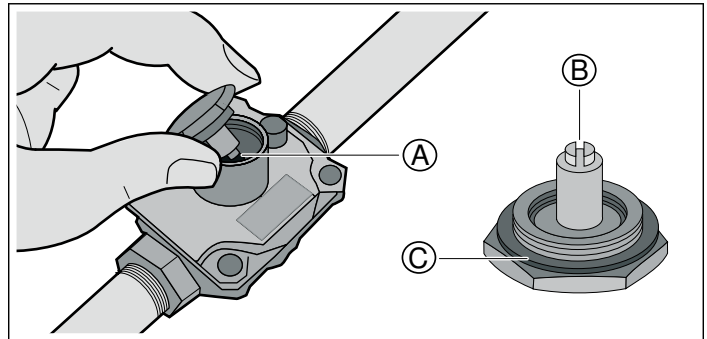
Localiser le régulateur de pression au bas du coin droit de la table de cuisson.

**Remarque :** La flèche au dos du régulateur doit pointer dans la direction du débit de gaz vers la table de cuisson.



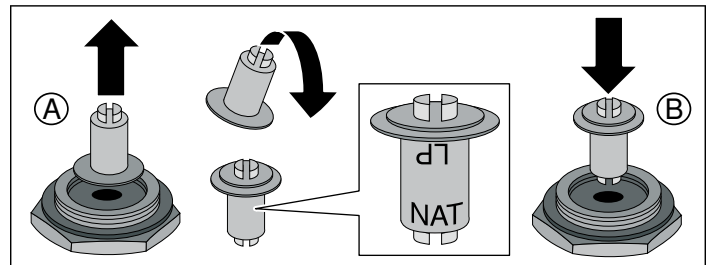
1. Retirer le capuchon de forme hexagonale du régulateur. S'assurer de ne pas déloger le joint du capuchon ou le ressort à l'intérieur du régulateur.

2. Saisir solidement la tige de plastique du bouton et tirer avec force pour le dégager du capuchon de métal. La tige s'enclenche et est bien serrée dans une rainure du capuchon et peut demander beaucoup de force pour la retirer. (Conseil : il peut être utile de balancer délicatement la tige de plastique tout en tirant dessus pour le retirer du capuchon de métal.)

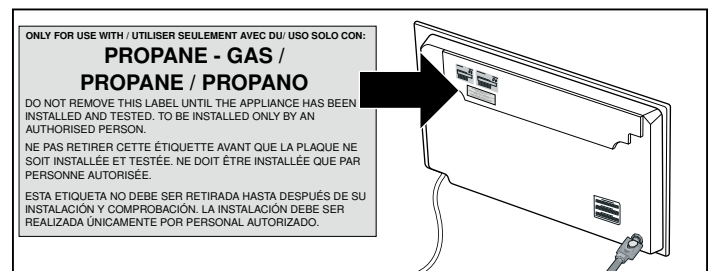


A	Ressort
B	Tige de plastique du bouton
C	Joint

3. Après le dégagement de la tige du capuchon, tourner la tige sur 180 degrés de sorte que l'extrémité du bouton de la tige est à l'écart du capuchon et les lettres LP de la tige sont à l'envers lorsque le capuchon est à plat sur sa tête. Enclencher la tige en place dans cette position en l'insérant dans la rainure du capuchon de métal. La tige devrait s'enclencher en place.



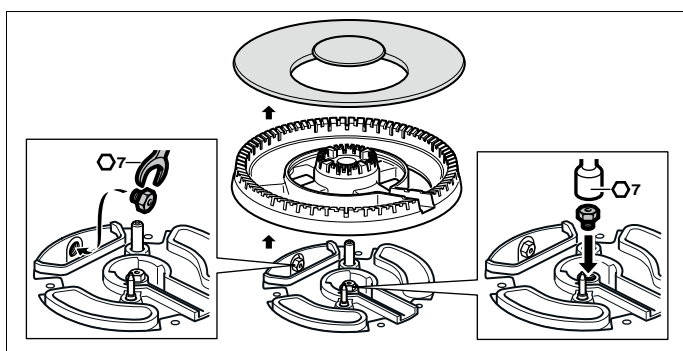
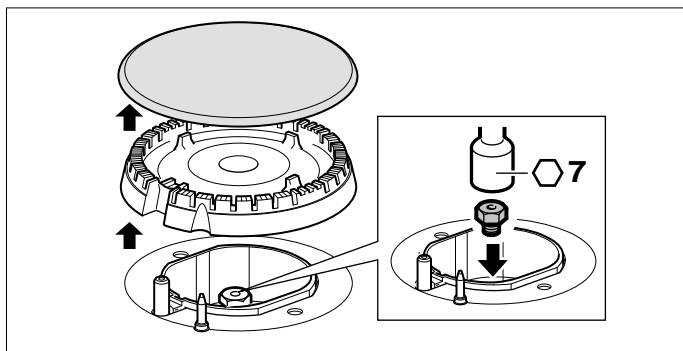
4. **Important :** Coller l'autocollant métallique (inclus dans cette trousse de conversion) au bas de l'électroménager, comme illustré, pour qu'il soit près de la plaque signalétique de l'appareil (indique le numéro de modèle et les renseignements concernant l'électroménager). Cet autocollant indique que l'électroménager a été converti à une utilisation de gaz de PL.



## Remplacement des buses

### Remplacement des buses

1. Retirez toutes les grilles, les chapeaux et les bases de brûleur.
2. Pour remplacer les buses, utiliser une clé à douille de 7 mm. Consulter le tableau. Il est important de s'assurer que les buses ne se détachent pas lors du retrait ou de la fixation. Elles doivent être bien serrées pour éviter les fuites.  
Il n'y a aucun besoin d'ajuster l'air primaire avec ces brûleurs.



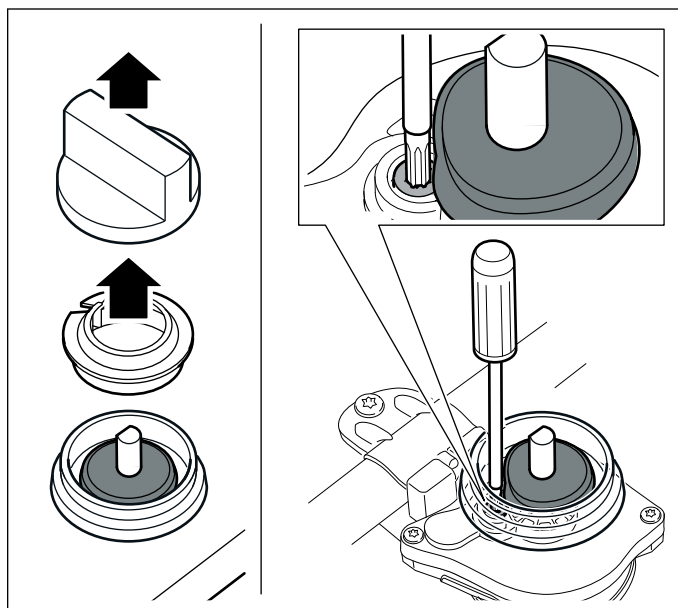
3. Fixez les buses et remettez le chapeau sur le brûleur correspondant. Mettez les grilles de brûleur en place par-dessus les brûleurs correspondants.
4. Apposer l'adhésif à côté de l'étiquette de cote indiquant le nouveau type de gaz.  
Conservé les buses retirées de l'appareil électroménager pour un usage ultérieur. Si vous reconvertissez au gaz naturel plus tard, retirer l'adhésif.

### Ajustement des soupapes de gaz

1. Tournez des boutons de commande au réglage le plus faible.
2. Retirer les boutons de commande des soupapes de gaz et retirer la bague blanche qui se trouve en dessous.  
Vous serez en mesure de voir un joint d'étanchéité noir en caoutchouc souple. Sous le coin supérieur gauche du joint, il y a une vis étoilée T10 noire visible, partiellement masquée par le joint. Pousser le joint de caoutchouc un peu sur le côté pour atteindre la vis avec un long tournevis T10 mince. Le brûleur à flamme double comporte deux vis de réglage.

**Ne jamais retirer le joint d'étanchéité.** Les joints d'étanchéité préviennent la pénétration de liquides et

de saletés dans l'appareil électroménager, ce qui l'empêcherait de fonctionner correctement.



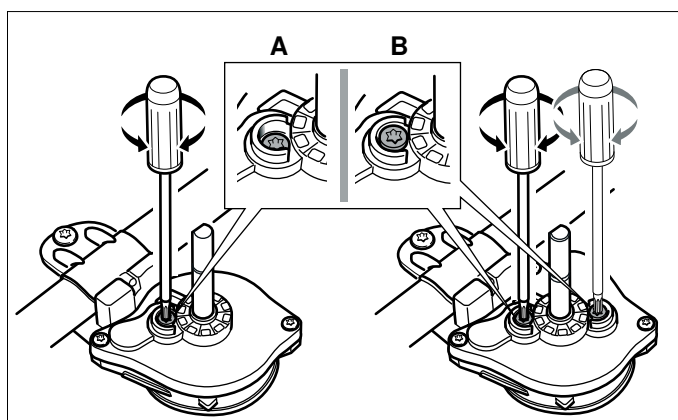
3. Consulter le tableau suivant pour connaître le réglage des vis de réglage (M) des robinets de gaz :






**A :** Gaz au PL, les vis de réglage des robinets de gaz doivent être bien serrées.

**B :** Pour le gaz naturel, les vis de réglage des robinets de gaz doivent affleurer avec le raccord.

S'assurer que la flamme ne s'éteint pas et qu'il y a aucun retour de flamme lorsque vous tournez le bouton de commande entre les réglages les plus faibles et les plus élevés.

Ne jamais retirer la tige de la soupape. En cas de dommage, il faut remplacer au complet la soupape à gaz.



	Pression	de gaz en colonne d'eau (po)		BTU/h	kW	M (réglage de la vis de réglage de la soupape)
	Gaz naturel	7	77	3 400	1	B
	Gaz au propane	11	54	3 400	1	A
	Gaz naturel	7	102	6 000	1,76	B
	Gaz au propane	11	71	6 000	1,76	A
	Gaz naturel	7	125	9 010	2,64	B
	Gaz au propane	11	88	9 010	2,64	A
	Gaz naturel	7	1 - 161 2 - 74	17 000	4,98	B
	Gaz au propane	11	1 - 105 2 - 51	15 700	4,6	A

## Service après-vente

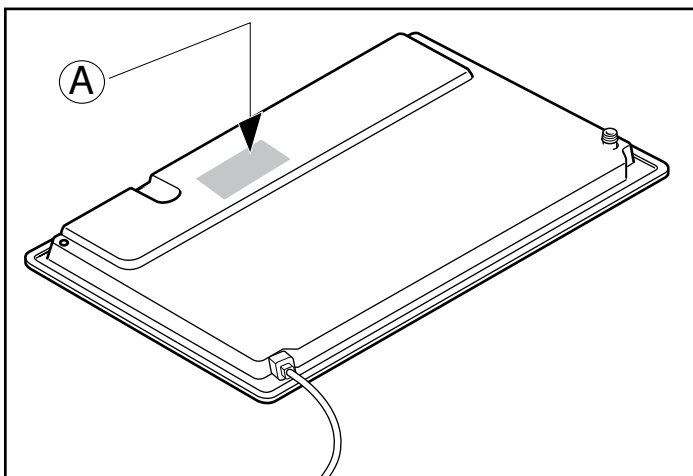
Communiquez avec le service après-vente si l'appareil électroménager a besoin de réparations (voir le numéro de téléphone ci-dessous). Le service après-vente se fera un plaisir de vous communiquer les coordonnées d'un centre de réparations autorisé près de chez vous.

### Numéro de modèle (E) et numéro FD

Lorsque vous communiquez avec le service après-vente, veuillez avoir à portée de main le numéro de modèle (E) et le numéro FD de l'appareil électroménager.

Vous pouvez trouver la plaque signalétique avec ces numéros :

- sur le ticket de l'appareil;
- sur la face inférieure de l'appareil.



A Emplacement de la plaque signalétique

800-944-2904

[www.bosch-home.com](http://www.bosch-home.com)

1901 Main Street, Suite 600  
Irvine, CA 92614



**9001415545**

990617



**BOSCH**

Invented for life

1901 Main Street, Suite 600 • Irvine, CA 92614 • 800-944-2904  
[www.bosch-home.com](http://www.bosch-home.com) • © 2019 BSH Home Appliances