

NX60A611SS

SAMSUNG

Samsung Smart Freestanding Gas Range with Integrated Griddle

6.0 cu. ft. Capacity



Signature Features

Large Oven Capacity

- This large 6.0 cu. ft. oven can fit multiple dishes at one time.

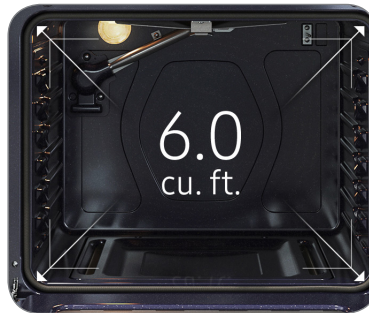
17K BTU Power Burner

- Boil fast with a powerful burner.

Flexible Cooktop

- This 5-burner cooktop includes 2 power burners and cast iron edge-to-edge grates so you can slide pots and pans across more usable cooktop space. Use the simmer burner to cook your favorite sauces.

Available Colors



Large Capacity Oven



17K BTU Power Burner

Features

- Large Oven Capacity – 6.0 cu. ft.
- Integrated, Cast-Iron Griddle
- Extra Oven Settings - Bread Proof, Favorite Cook, Keep Warm
- Edge-to-Edge Grates
- Storage Drawer
- Flexible Cooktop:
 - Five Burner Cooktop
 - Right Front: 17K BTU
 - Left Front: 12K BTU
 - Right Rear: 5K BTU
 - Left Rear: 9.5K BTU
 - Center (Oval): 10K BTU

Convenience

- Wi-Fi Connectivity
- Voice-Enabled
- SmartThings Cooking
- Sabbath Mode
- Child Safety Lock
- Delay Start
- Auto Oven Light
- Kitchen Timer



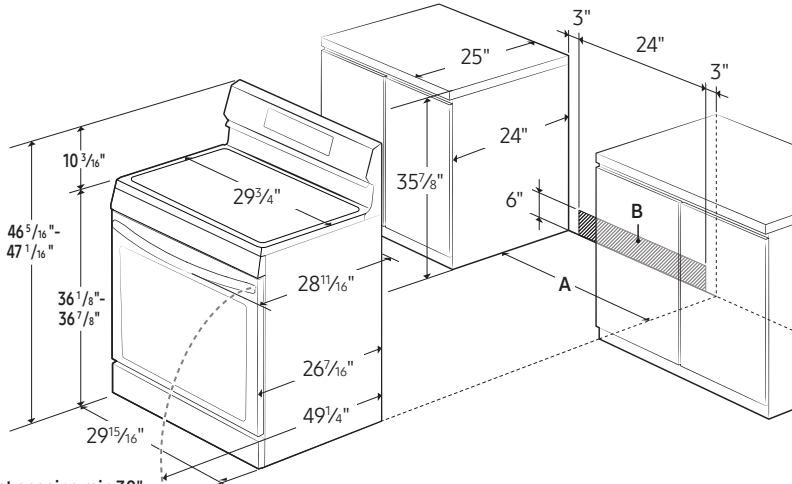
NX60A611SS

SAMSUNG

Samsung Smart Freestanding Gas Range with Integrated Griddle

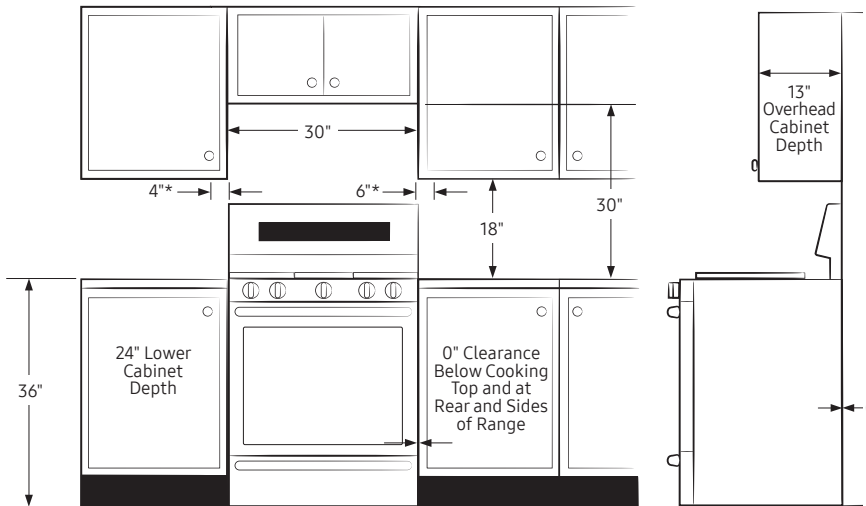
6.0 cu. ft. Capacity

Installing Your Range



A: Cabinet opening min 30"
B: Acceptable electrical outlet area

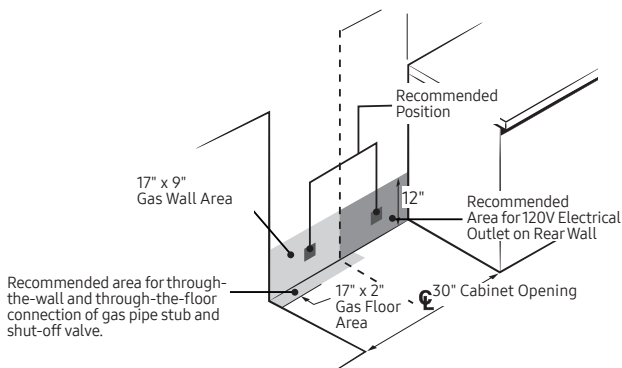
IMPORTANT: If your cabinets are over 36 3/4" high, you must install this range on a hard, heat-resistant support that raises the surface of the range so that it is about even with the countertop.



* Side clearance above cooking surface to any objects, i.e., wall.

IMPORTANT: Consult with Installation Manual for detailed instructions before installing.
All ranges must be installed with the Anti-Tip device that is included.

Recommended Locations for Gas Piping and Electrical Outlets



Power Source

120V/60 Hz/20A

Total Power (BTU)

53,500 BTU

5-Burner Cooktop

- Right Front: 17K BTU
- Left Front: 12K BTU
- Right Rear: 5K BTU
- Left Rear: 9.5K BTU
- Center (Oval): 10K BTU

Oven

- Capacity: 6.0 cu. ft.
- Bake
- Variable Broil: Low/High
- Bread Proof

Warranty

One (1) Year Parts and Labor

Product Dimensions & Weight (WxHxD)

Oven Interior Dimensions:

24 13/16" x 21 5/8" x 19 5/8"

Outside Net Dimensions:

29 15/16" x 46 5/16"-47 1/16" (Adjustable) x 28 11/16"

Weight: 169 lbs

Shipping Dimensions & Weight (WxHxD)

Dimensions:

33 1/16" x 50 9/16" x 30 5/16"

Weight: 193 lbs

Color

- Stainless Steel
- Black
- White

Model

- NX60A6111SS
- NX60A6111SB
- NX60A6111SW

UPC Code

- 887276509525
- 887276509518
- 887276509532



Actual color may vary. Design, specifications, and color availability are subject to change without notice. Non-metric weights and measurements are approximate.

©2021 Samsung Electronics America, Inc. 85 Challenger Road, Ridgefield Park, NJ 07660. Tel: 800-SAMSUNG. samsung.com. Samsung is a registered trademark of Samsung Electronics Co. Ltd.