

# RS22T5561SR

SAMSUNG

## 21.5 cu. ft. Side-By-Side Counter Depth Refrigerator with 21.5" Touchscreen Family Hub™



### 6 Simple Truths

#### What should we have for dinner?

See inside your refrigerator from anywhere, shop for groceries, search for recipes and pre-heat your oven all from the Family Hub.

#### I love entertaining friends and family

Stream your favorite music apps on the Family Hub and enjoy premium speaker quality listening.

#### I miss out because I'm busy in the kitchen

Mirror shows, movies, or live sports from your Samsung TV on the Family Hub.

#### I'm always multi-tasking

Get a notification on the Family Hub when the laundry is done.

#### I want peace of mind when I am home with my family

See who's at the front door. Monitor the baby's room. Adjust the thermostat all from the Family hub.

#### It's the little moments that matter

Upload pictures remotely to the Family Hub. Leave handwritten notes for loved ones. Set reminders for when you get home.

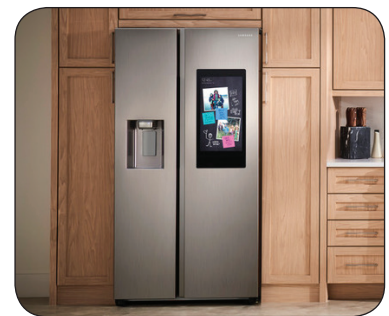
### Available Colors

 Fingerprint Resistant Stainless Steel (shown)

 Fingerprint Resistant Black Stainless Steel



Family Hub™



Built-in Look with Counter Depth

### Design

- Built-in Look with Counter Depth
- Fingerprint Resistant Finish
- Minimal Display Dispenser: external filtered water and ice
- LED Lighting
- Four Gallon Door Bins
- Two Clear Drawers
- 25W Speaker

### Convenience

- Wi-Fi and Bixby Enabled
- Adjustable Top Shelf
- Door Alarm
- Water Filter Indicator

### Performance

- All-Around Cooling
- In-Door Ice Maker - Stores up to 4.4 lbs of ice

### Rating



ENERGY STAR® rated:  
636 kWh/yr

# RS22T5561SR

SAMSUNG

## 21.5 cu. ft. Side-By-Side Counter Depth Refrigerator with 21.5" Touchscreen Family Hub™

### Installation Specifications

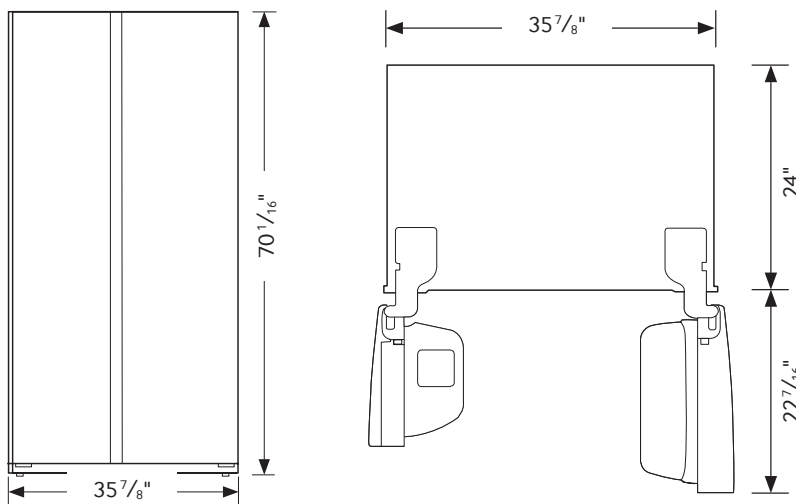
1. Measure the height, width and depth of the opening, making sure to include baseboards, molding tile, countertop overhang, etc. Check to be sure there is enough room to open the door (consider walls, islands or other obstacles when measuring).
2. Refer to illustration below to determine dimensions.
3. Allow 2.5" of clearance on hinge side of refrigerator when installing next to a wall where handle may make contact.
4. Allow 1" minimum clearance at rear for proper air circulation and water/electrical connections. Allow a 3/8" minimum clearance at sides and top for ease of installation.
5. Ensure each door and entryway in the home is wide enough for the refrigerator to be moved through easily.

For optimal usage and to be able to open refrigerator doors completely, do not install next to a wall.

Please note: The following dimension and cutout information is for planning purposes only. For complete installation details, consult manual packed with product, or download manual online at [samsung.com](http://samsung.com).



### Dimensions



**Total Capacity: 21.5 cu. ft.**

**Refrigerator: 14.1 cu. ft.**

- 4 Tempered Glass Shelves
- 2 Clear Drawers
- 5 Door Bins
  - 1 Gallon Bin
  - 4 Door Bins
- LED Lighting

**Freezer: 7.4 cu. ft.**

- External Filtered Water and Ice Dispenser (Crushed or Cubed Ice)
- In-Door Ice Maker
- 4 Tempered Glass Shelves
- 2 Drawers, 1 with Flip Cover
- 2 Door Bins
- LED Lighting

### Accessories

Water Filter: HAF-QIN

### Warranty

One (1) Year Parts and Labor on Refrigerator  
Five (5) Years Parts and Labor on Sealed Refrigeration System Only\*  
Ten (10) Years Parts and Five (5) Years Labor on Digital Inverter Compressor

\*Compressor, evaporator, condenser, drier and connecting tubing.

### Product Dimensions & Weight

Dimensions (WxHxD with hinges, handles, doors and dispenser): 35 7/8" x 70 1/16" x 28 5/8"

Dimensions (WxHxD without hinges and door): 35 7/8" x 68 5/8" x 24"

Dimensions (WxHxD with hinge and door, no handle): 35 7/8" x 70 1/16" x 28 5/8"

Weight: 256 lbs

### Shipping Dimensions & Weight (WxHxD)

Dimensions: 37 3/4" x 75 3/8" x 30 1/8"

Weight: 265 lbs

Color	Model #	UPC Code
Fingerprint Resistant Stainless Steel	RS22T5561SR	887276372198
Fingerprint Resistant Black Stainless Steel	RS22T5561SG	887276372181