

WA50B5100AV

SAMSUNG

5.0 cu. ft. Large Capacity Top Load Washer with Deep Fill and EZ Access Tub



Available Color



Brushed Black
WA50B5100AV

Features

- EZ Access Tub
- Deep Fill
- Large 5.0 cu. ft. Capacity
- Smart Care*
- Self Clean
- Vibration Reduction Technology+
- Swirl+ Tub Interior
- Soft-Close Lid
- 10 Preset Washing Cycles
- 4 Additional Washing Options
- 5 Temperature Levels
- 750 RPM Maximum Spin Speed
- Direct Drive Motor
- LED Display: Red

Convenience

- Child Lock
- Dispenser Trays:
Main Wash, Softener, Bleach,
EZ Drawer Dispenser

Ratings

IMEF = 1.57
IWF = 6.5
140 kWh/yr

Electrical Requirements

120 V / 60 Hz
15 Amps

Specifications

10 Preset Washing Cycles:

Normal, Bedding/Waterproof, Heavy Duty, Permanent Press, Delicates, Quick Wash, Self Clean, Rinse + Spin, Spin Only, Deep Wash

4 Additional Washing Options:

Extra Rinse, Child Lock, Deep Fill, Smart Care

5 Temperature Settings:

Hot, Warm, Eco Warm, Cool, Cold

3 Soil Settings:

Heavy, Normal, Light

Warranty

One (1) Year Parts and Labor
Three (3) Years Stainless Steel Tub (Part Only)
Ten (10) Years DD Motor (Part Only)

Product Dimensions & Weight (WxHxD)

Dimensions: 27¹/₂" x 46³/₁₆" x 29⁷/₁₆"
Weight: 130.1 lbs

Shipping Dimensions & Weight (WxHxD)

Dimensions: 30¹/₈" x 48⁵/₁₆" x 31¹/₄"
Weight: 138.9 lbs

Washer	Model #	UPC Code
Brushed Black	WA50B5100AV	887276661032
Matching Electric Dryer		
Brushed Black	DVE50B5100V	887276658704
Matching Gas Dryer		
Brushed Black	DVG50B5100V	887276658728

*Requires Samsung Smart Washer/Dryer App. The Samsung Smart Washer/Dryer App supports Android OS 2.3.6 or later and iOS 3 or later for iPhone models. Samsung Smart Washer/Dryer App available in App Store and Play Store.

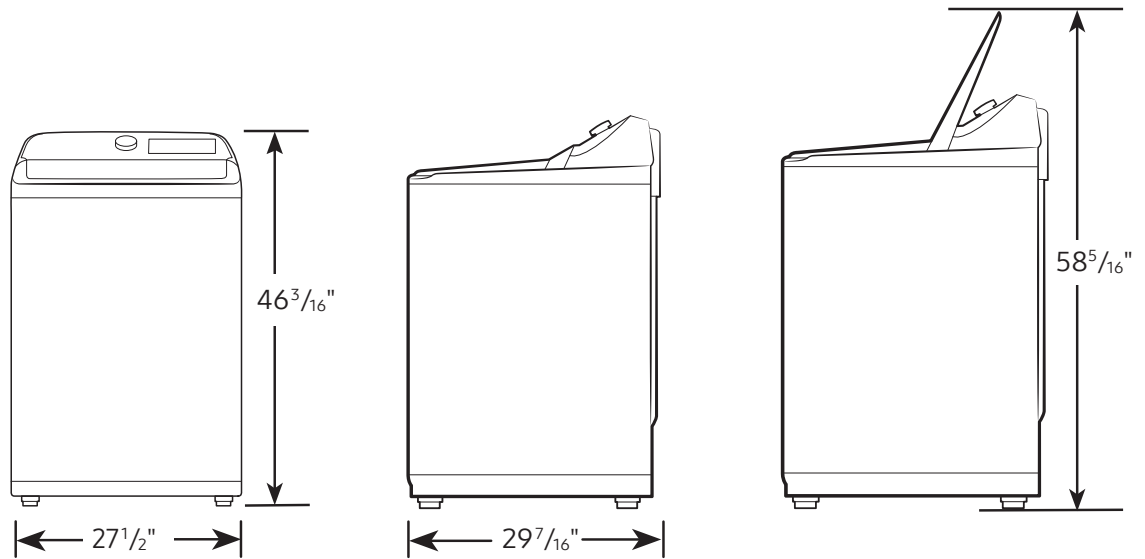
WA50B5100AV

SAMSUNG

5.0 cu. ft. Large Capacity Top Load Washer with Deep Fill and EZ Access Tub

Dimensions

Required dimensions for installation:

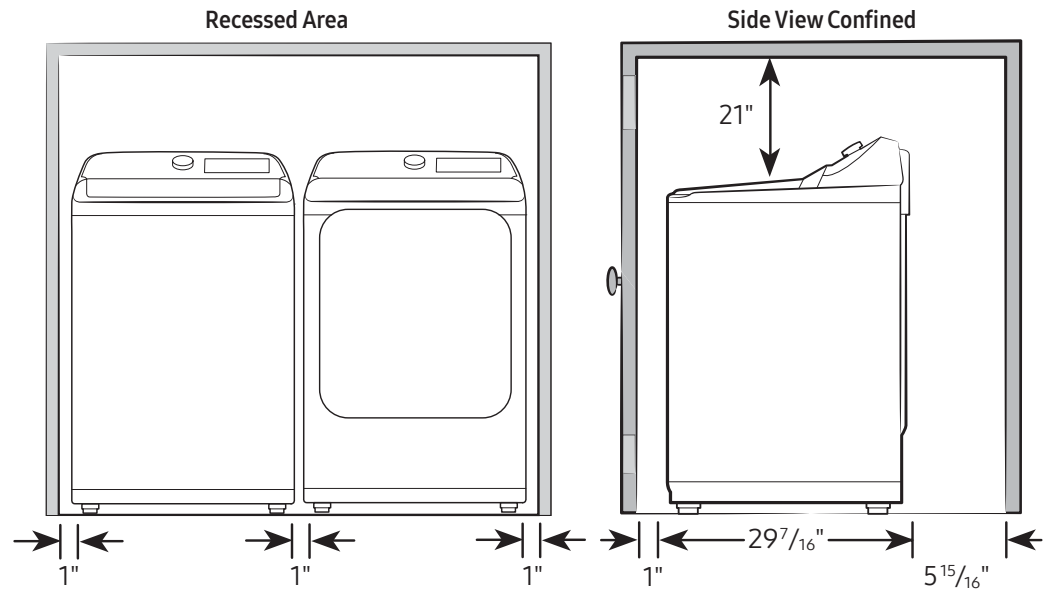


Installation Specifications – Side-by-Side

If the washer and dryer are installed together or the dryer alone, the closet front must have two unobstructed air openings for a combined minimum total area of 72-inch². Your washer alone does not require a specific air opening.

Alcove or closet installation

Minimum clearance for closet and alcove installations:

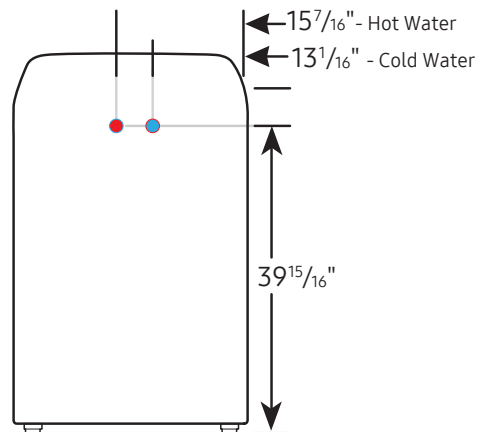


Connection Dimensions

Back view of washer

LEGEND:

- Hot Water Connection
- Cold Water Connection



Actual color may vary. Design, specifications, and color availability are subject to change without notice. Non-metric weights and measurements are approximate.

©2022 Samsung Electronics America, Inc., 85 Challenger Road, Ridgefield Park, NJ 07660. Tel: 800-SAMSUNG.samsung.com. Samsung is a registered trademark of Samsung Electronics Co., Ltd.