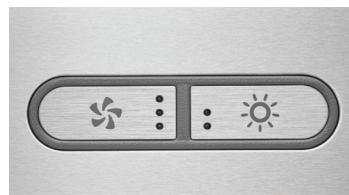




WCP3 Series

Cooking enthusiasts and experts alike love the superior performance, refined look, and thoughtful details that set BEST WCP3 Chimney range hoods apart. This chimney range hood's unique, stylish design quickly creates a signature look and focal point in any personalized kitchen.

- Powered by internal blower system with 650 MAX blower CFM. Very quiet 1.5 sones at normal setting.
- 3-speed electronic Tap Touch controls and filter clean reminder helps ensure optimal performance.
- Two-level integrated LED modules provide even lighting over the cooktop.
- Hybrid aluminum mesh and stainless steel low profile baffle filters effectively capture grease and are dishwasher-safe making it easier to have a cleaner, odor-free kitchen.
- Optional recirculation kit for non-ducted capability.
- Horizontal or vertical exhaust capability to ease the retrofit on remodeling.



best[®]

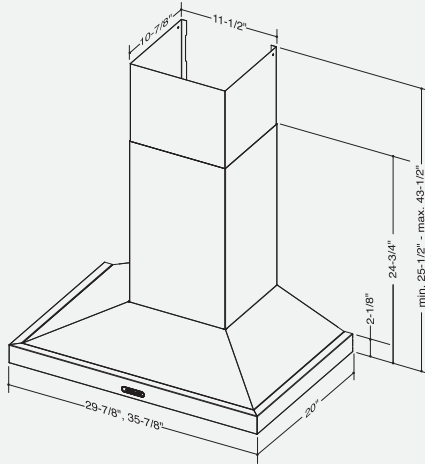
PERFORMANCE THAT INSPIRES

At **BEST**, we make high performance range hoods that perform beautifully. Astonishingly quiet. Impressively effective. Remarkably efficient. And perfectly suited for the most distinguished kitchens.

Whether it's the centerpiece of the room or letting its surroundings shine, **BEST** is where high-end performance inspires.

Installation height above the cooking surface: 24"-30"

Ducted telescopic flue accommodates ceiling heights from 8' to 9'.
Flue extension for higher ceilings is also available.
300 CFM max with ARP6 or ARP10 reducer plate option.



HOOD SIZES*

Internal Blower, Single - Depth: 20"

30" WCP3I30SB

36" WCP3I36SB

* For exact dimensions, please refer to the technical drawing of each model.

FEATURES

Finish	Brushed Stainless Steel (Grade 430)
Lighting Type	LED Modules (450 Lumens each, 6.5W per module, color temp 3000K)
Number of Modules	2
Lighting Levels	2
Lighting Modules Included	Yes
Control Type	3-speed Tap Touch
Control Features	Filter Clean Reminder
Remote Control	Not Available
Filter Type	Hybrid Baffle
Non-ducted Capability	Yes

HOOD BLOWER INCLUDED WCP3

Internal	
Max Blower CFM*	650

ACCESSORIES

10' Flue Extension (Ducted)	AEWCP3SB
Recirculation Kit	HRKBSS
Non-Duct Filter	FILTERECB
CFM Reducer Kit	ARP6, ARP310

INSTALLATION REQUIREMENTS

Amps @ 120V: Internal Blower	3.9
Electrical Connection	Plug In
Duct Size: Internal Blower	6", 3-1/4" x 10"
Duct Direction	Vertical / Horizontal
Backdraft Damper	Included

*MAX Blower CFM indicates the performance of the hood blower in open air.

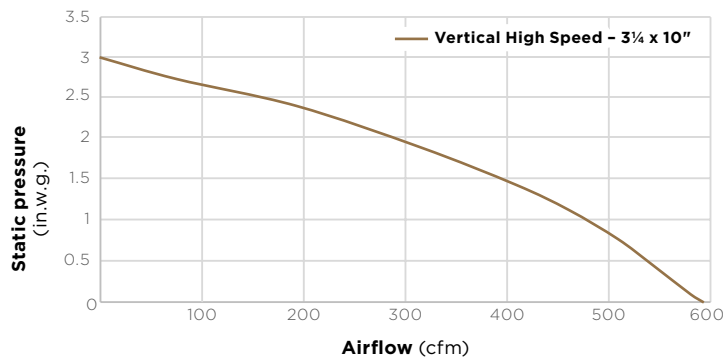
HVI PERFORMANCE

INTERNAL BLOWER - WCP3

SONES		
Normal Speed 1.5		High Speed* 11.0
CFM		
Normal Speed 200	High Speed* 0.25 in. w.g. 535	High Speed* 0.1 in. w.g. 550

* Where noted performance rating is not HVI certified but was established in accordance with HVI Standardized test procedure.

AIRFLOW PERFORMANCE



HVI-2100 CERTIFIED RATINGS comply with new testing technologies and procedures prescribed by the Home Ventilating Institute, for off-the-shelf products, as they are available to consumers. Product performance is rated at .01 in. static pressure, based on tests conducted in AMCA's state-of-the-art test laboratory. Sones are a measure of humanly-perceived loudness, based on laboratory measurements.