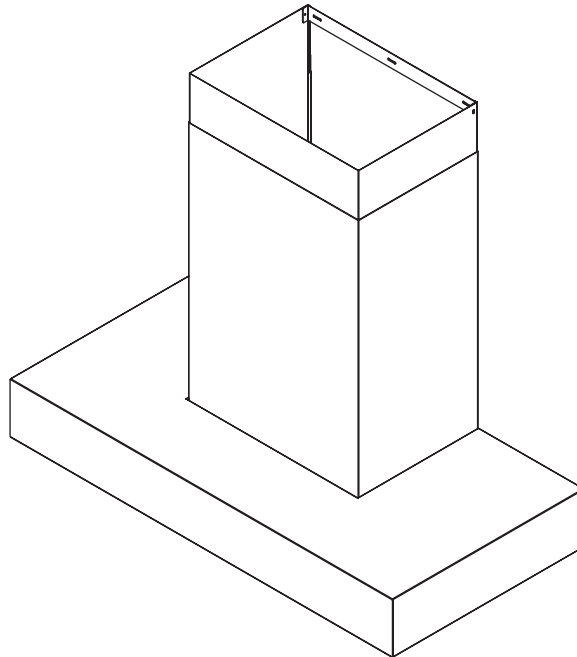


Use, Care, and Installation Guide

Roma Pro Wall

ZRP-E36AS
ZRP-E48AS



Model number: _____

Serial Number: _____

AUG19.0101 © Zephyr Ventilation LLC.

READ AND SAVE THESE INSTRUCTIONS



SAFETY NOTICE 2-3

LIST OF MATERIALS 4

INSTALLATION

 Ducting Calculation Sheet 5

 Mounting Height & Clearance 6

 Ducting Options 7

 Specifications 8

 Mounting the Range Hood 9

 PBD-1300A Dual Blower Ducting 10

FEATURES & CONTROLS

 Electronic LCD Controls 11

 Optional Remote Control 12

MAINTENANCE

 Cleaning, Filter Removal & Lights 13

TROUBLESHOOTING 14

ACT™ CONVERSION 15

WIRING DIAGRAMS 16

LIST OF PARTS AND ACCESSORIES 17

WARRANTY 18

PRODUCT REGISTRATION 19

Important Safety Notice

WARNING

TO REDUCE THE RISK OF FIRE OR ELECTRIC SHOCK, DO NOT USE THIS FAN WITH ANY SOLID-STATE CONTROL DEVICE.

WARNING

TO REDUCE THE RISK OF FIRE ELECTRIC SHOCK, OR INJURY TO PERSONS, OBSERVE THE FOLLOWING:

- a. Use this unit only in the manner intended by the manufacturer, if you have questions, contact the manufacturer.
- b. Before servicing or cleaning unit, switch power off at service panel and lock panel to prevent power from being switched on accidentally. When the service disconnecting means cannot be locked, securely fasten a prominent warning device, such as a tag, to the service panel.

CAUTION

For general ventilating use only. Do not use to exhaust hazardous or explosive materials and vapors. Take care when using cleaning agents or detergents. Suitable for use in household cooking area.

WARNING

TO REDUCE THE RISK OF RANGE TOP GREASE FIRE:

- a. Never leave surface units unattended at high settings. Boilovers cause smoking and greasy spillovers that may ignite. Heat oils slowly on low or medium settings.
- b. Always turn hood ON when cooking at high heat or when flaming food
- c. Clean ventilating fans frequently. Grease should not be allowed to accumulate on fan or filter.
- d. Use proper pan size. Always use cookware appropriate for the size of the surface element.
- e. Keep fan, filters and grease laden surfaces clean.
- f. Use high setting on hood only when necessary.
- g. Don't leave hood unattended when cooking.
- h. Always use cookware and utensils appropriate for the type of and amount of food being prepared.

WARNING

TO REDUCE THE RISK OF INJURY TO PERSONS IN THE EVENT OF A RANGE TOP FIRE, OBSERVE THE FOLLOWING:

- a. SMOTHER FLAMES with a close-fitting lid, cookie sheet, or metal tray, then turn off the burner. BE CAREFUL TO PREVENT BURNS. If the flames do not go out immediately, EVACUATE AND CALL THE FIRE DEPARTMENT.
- b. NEVER PICK UP A FLAMING PAN – You may be burned.
- c. DO NOT USE WATER, including wet dishcloths or towels – a violent steam explosion will result.
- d. Use an extinguisher ONLY if:
 - 1. You know you have a Class ABC extinguisher, and you already know how to operate it.
 - 2. The fire is small and contained in the area where it started.
 - 3. The fire department is being called.
 - 4. You can fight the fire with your back to an exit

WARNING

TO REDUCE THE RISK OF FIRE, ELECTRIC SHOCK OR INJURY TO PERSONS, OBSERVE THE FOLLOWING:

- a. Installation work and electrical wiring must be done by qualified person(s) in accordance with all applicable codes and standards. Including fire-rated construction.
- b. Sufficient air is needed for power combustion and exhausting of gases through the flue (chimney) of fuel burning equipment to prevent back-drafting. Follow the heating equipment manufacturer's guideline and safety standards such as those published by the National Fire Protection Association (NFPA) and the American Society for Heating, Refrigeration and Air Conditioning Engineers (ASHRAE) and the local code authorities.
- c. When cutting or drilling into wall or ceiling, do not damage electrical wiring and other hidden utilities.
- d. Ducted fans must always vent to the outdoors.
- e. NEVER place a switch where it can be reached from a tub or shower.
- f. Make sure the power is off before installing, wiring or maintenancing.

WARNING

TO REDUCE THE RISK OF FIRE, USE ONLY METAL DUCTWORK.

CAUTION

To reduce risk of fire and to properly exhaust air outside - Do not vent exhaust air into spaces within walls, ceilings, attics, crawl spaces or garages.

OPERATION

Always leave safety grilles and filters in place. Without these components, operating blowers could catch onto hair, fingers and loose clothing.

The manufacturer declines all responsibility in the event of failure to observe the instructions given here for installation, maintenance and suitable use of the product. The manufacturer further declines all responsibility for injury due to negligence and the warranty of the unit automatically expires due to improper maintenance.

***NOTE: Please check www.zephyronline.com for revisions before doing any custom work.**

ELECTRICAL REQUIREMENTS

Important:

Observe all governing codes and ordinances.

It is the customer's responsibility:

- To contact a qualified electrical installer.
- To assure that the electrical installation is adequate and in conformance with National Electrical Code, ANSI/NFPA 70 latest edition* or CSA standards C22.1-94, Canadian Electrical Code, Part 1 and C22.2 No.0-M91 - latest edition** and all local codes and ordinances.

If codes permit and a separate ground wire is used, it is recommended that a qualified electrician determine that the ground path is adequate.

Do not ground to a gas pipe.

Check with a qualified electrician if you are not sure the range hood is properly grounded.

Do not have a fuse in the neutral or ground circuit.

*National Fire Protection Association Batterymarch Park, Quincy, Massachusetts 02269

** CSA International 8501 East Pleasant Valley Road, Cleveland, Ohio 44131-5575

This appliance requires a 120V 60Hz electrical supply and connected to an individual properly grounded branch circuit protected by a 15 or 20 ampere circuit breaker or time delay fuse. Wiring must be 2 wire with ground. Please also refer to Electrical Diagram on product.

A cable locking connector (not supplied) might also be required by local codes. Check with local requirements, purchase and install appropriate connector if necessary.

FEDERAL COMMUNICATION COMMISSION INTERFACE STATEMENT

This equipment has been tested and found to comply with the limits for a Class B digital device, pursuant to Part 15 of the FCC Rules. These limits are designed to provide reasonable protection against harmful interference in a residential installation.

This equipment generates, uses and can radiate radio frequency energy and, if not installed and used in accordance with the instructions, may cause harmful interference to radio communications. However, there is no guarantee that interference will not occur in a particular installation. If this equipment does cause harmful interference to radio or television reception, which can be determined by turning the equipment off and on, the user is encouraged to try to correct the interference by one of the following measures:

- . Reorient or relocate the receiving antenna.
- . Increase the separation between the equipment and receiver.
- . Connect the equipment into an outlet on a circuit different from that to which the receiver is connected.
- . Consult the dealer or an experienced radio/TV technician for help

Prop. 65 Warning for California Residents



WARNING:

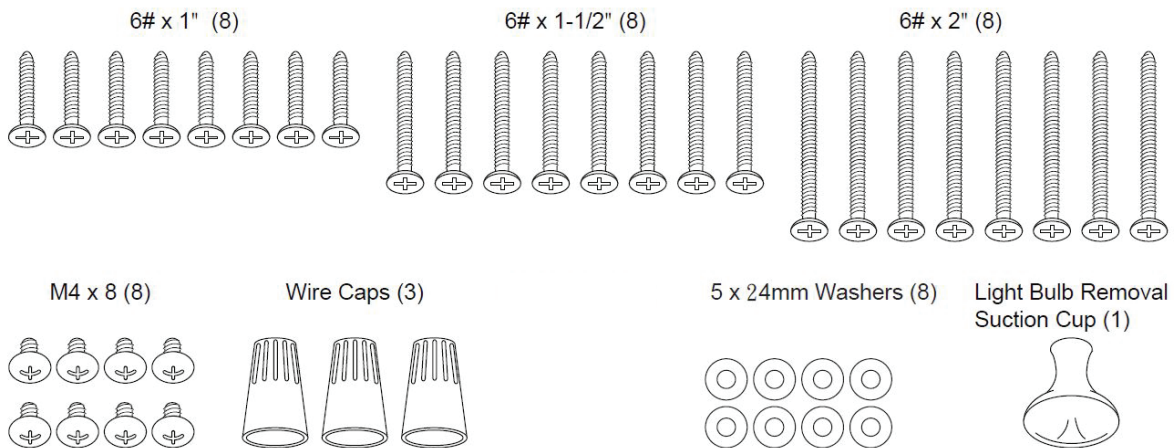
Cancer and Reproductive Harm - www.P65Warnings.ca.gov

List of Materials

MODELS: ZRP-E36AS, ZRP-E48AS

PARTS SUPPLIED

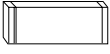
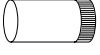
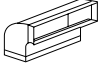
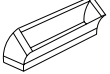

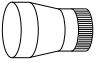



- 1 - Hood
- 2 - Duct covers, 1 upper & 1 lower
- 1 - Duct cover bracket
- 2 - Baffle filters, ZRP-E36AS
- 3 - Baffle filters, ZRP-E48AS
- 2 - LED light bulbs, ZRP-E36AS
- 4 - LED light bulbs, ZRP-E48AS
- 1 - 8 in. round starting collar (for single blower ducting)
- 1 - Hardware package



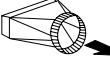
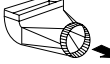
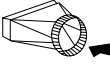
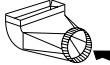
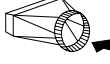
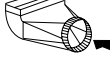
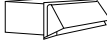
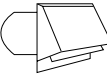

PARTS NOT SUPPLIED

- Ducting, conduit and all installation tools
- Cable connector (if required by local codes)
- Dual Internal Blower Kit (PBD-1300A)
- Duct Cover Extension Accessory
- Remote Control Accessory

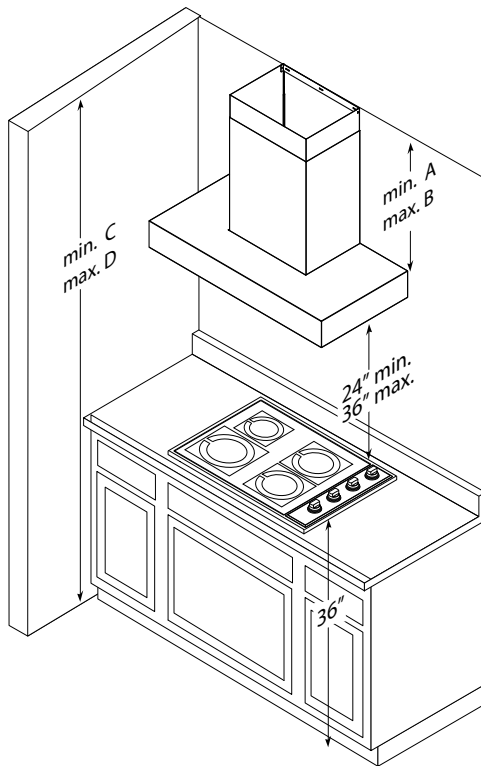
Installation – Ducting Calculation Sheet

Duct pieces		Equivalent number length x used =	Total
	3-1/4" x 10" Rect., straight	1 Ft. x () =	Ft.
	6", 7", 8", 10" Round, straight	1 Ft. x () =	Ft.
	3-1/4" x 10" Rect. 90° elbow	15 Ft. x () =	Ft.
	3-1/4" x 10" Rect. 45° elbow	9 Ft. x () =	Ft.
	3-1/4" x 10" Rect. 90° flat elbow	24 Ft. x () =	Ft.
	7" to 6" or 8" to 7" Round tapered reducer	25 Ft. x () =	Ft.
	6", 7", 8" Round in-line damper	15 Ft. x () =	Ft.
	6", 7", 8", 10" Round, 90° elbow	15 Ft. x () =	Ft.
	6", 7", 8", 10" Round, 45° elbow	9 Ft. x () =	Ft.
Subtotal column 1 =			Ft.

Maximum Duct Length: For satisfactory air movement, the total duct length should not exceed 100 equivalent feet.

Duct pieces		Equivalent number length x used =	Total
	3-1/4" x 10" Rect. to 6" round transition	5 Ft. x () =	Ft.
	3-1/4" x 10" Rect. to 6" round transition 90° elbow	20 Ft. x () =	Ft.
	6" round to 3-1/4" x 10" rect. transition	1 Ft. x () =	Ft.
	6" round to 3-1/4" x 10" rect. transition 90° elbow	16 Ft. x () =	Ft.
	7" round to 3 1/4" x 10" rect. transition	8 Ft. x () =	Ft.
	7" round to 3-1/4" x 10" rect. transition 90° elbow	23 Ft. x () =	Ft.
	3-1/4" x 10" Rect. wall cap with damper	30 Ft. x () =	Ft.
	6", 7", 8", 10" Round, wall cap with damper	30 Ft. x () =	Ft.
	6", 7", 8", 10" Round roof cap	30 Ft. x () =	Ft.
Subtotal column 2 =			Ft.
Subtotal column 1 =			Ft.
Total ductwork =			Ft.

Installation – Mounting Height & Clearance



Hood Heights	Standard Duct Cover	Extension Duct Cover
minimum ducted (A)	31 1/2"	43"
maximum (B)	51"	79"
Ceiling Heights		
minimum ducted (C)	91 1/2" (7' 7 1/2")	103" (8' 7")
maximum (D)	121" (10' 1")	149" (12' 5")

DUCTING

A minimum of 8" round duct must be used to maintain maximum air flow efficiency for single internal blower and 10" round duct for dual internal blower.

Always use rigid type metal ducts only. Flexible ducts could restrict air flow by up to 50%.

Also use calculation (on page 5) to compute total available duct run when using elbows, transitions and caps.

ALWAYS, when possible, reduce the number or

transitions and turns. If long duct run is required, increase duct size.

If turns or transitions are required; install as far away from hood duct output and as far apart, between the two as possible.

Minimum mount height between range top to hood bottom should be no less than 24".

Maximum mount height should be no higher than 36".

It is important to install the hood at the proper mounting height. Hoods mounted too low could result in heat damage and fire hazard; while hoods mounted too high will be hard to reach and will lose its performance and efficiency.

If available, also refer range manufacturer's height clearance requirements and recommended hood mounting height above range.

Vertical Ducting:

- 8" round minimum (single internal blower)
- 10" round minimum (dual internal blower)

SHIPMENT / INSTALLATION:

- Please fully inspect unit for damage before installation.
- If the unit is damaged in shipment, return the unit to the store in which it was bought for repair or replacement.
- If the unit is damaged by the customer, repair or replacement is the responsibility of the customer.
- If the unit is damaged by the installer (if other than the customer), repair or replacement must be made by arrangement between customer and installer.

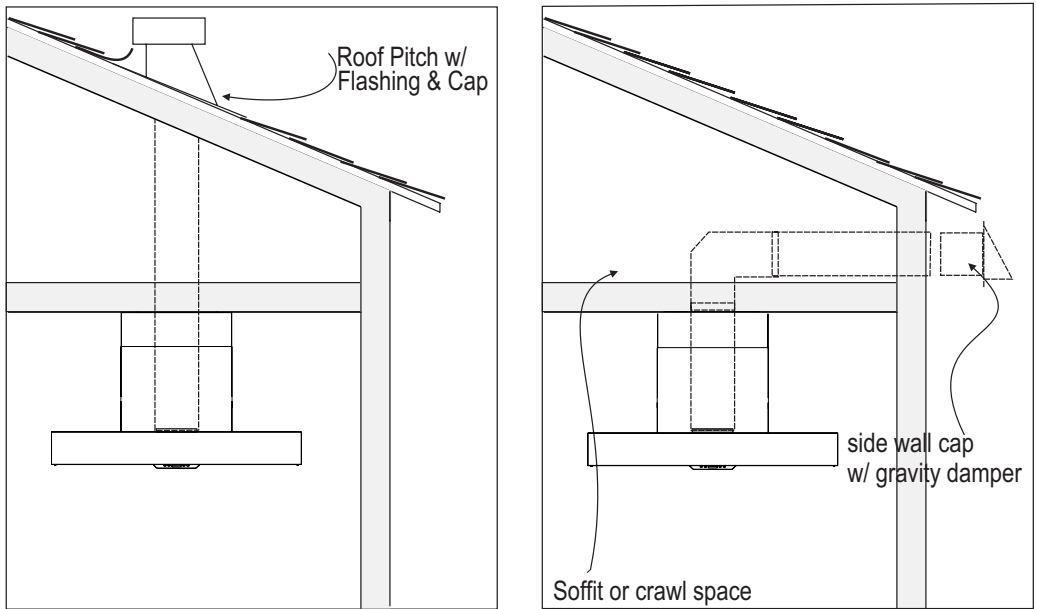
WARNING FIRE HAZARD

NEVER exhaust air or terminate duct work into spaces between walls, crawl spaces, ceiling, attics or garages. All exhaust must be ducted to the outside.

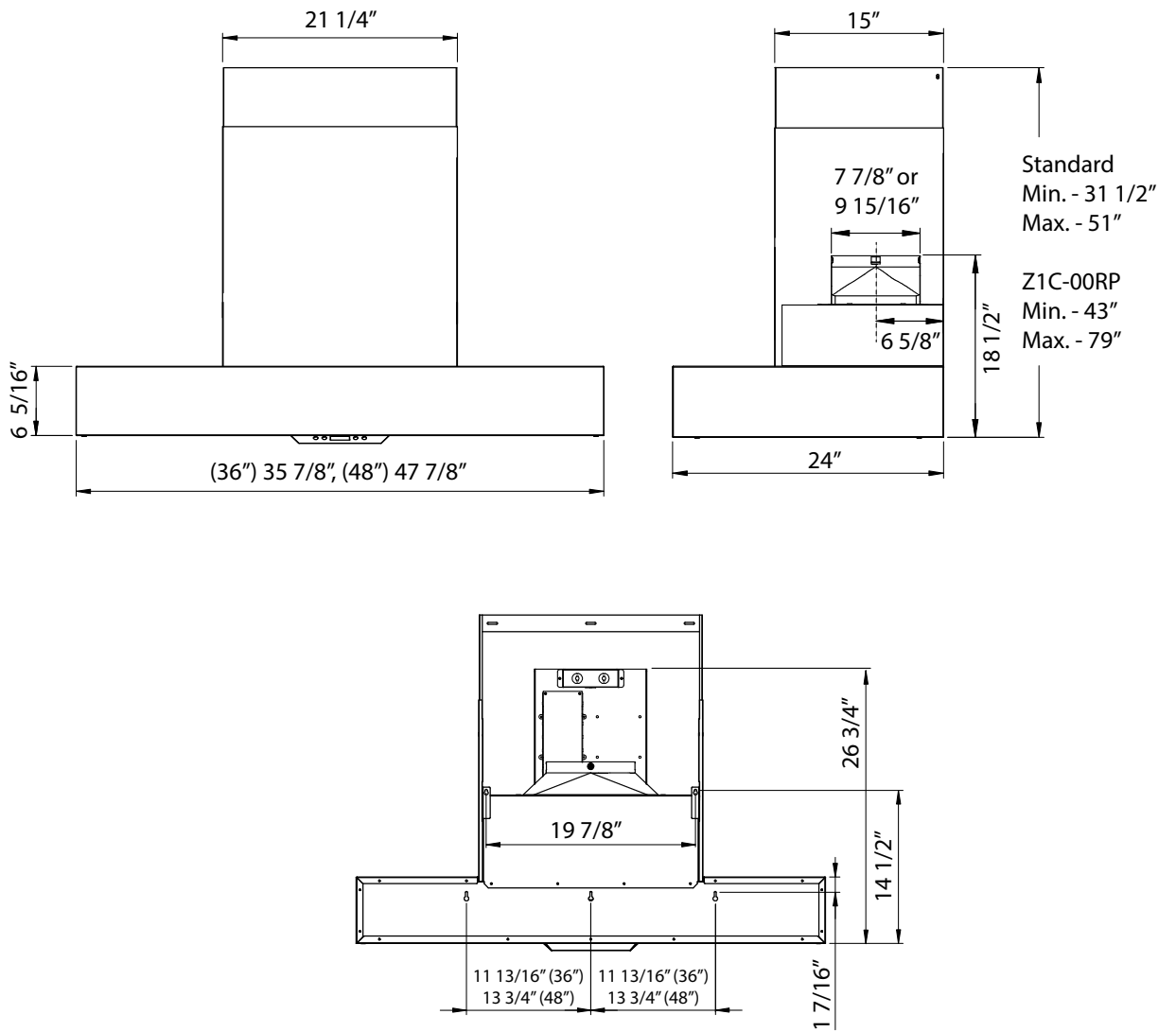
Use rigid metal ductwork only.

Fasten all connections with sheet metal screws and tape all joints with certified Aluminum Tape or Duct Tape.

Some Ducting Options

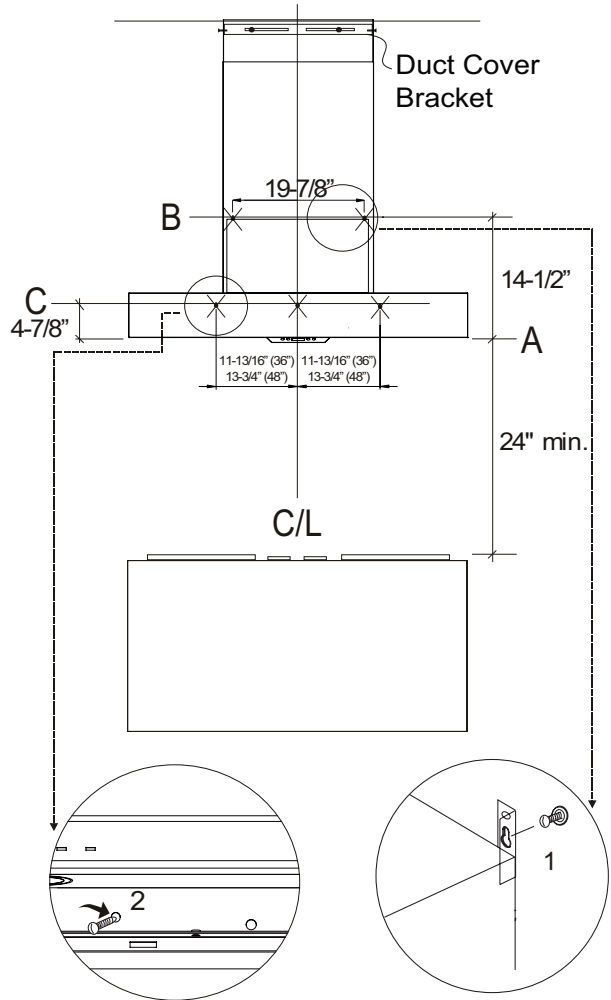


Installation – Specifications



⚠ CAUTION: At least two installers are required due to the weight and size of the hood.

1. Measure from range top to hood bottom and mark line A. (24" minimum from range top).
2. Plum and mark center line.
3. Mark mounting height line B. (14-1/2" from line A)
4. Mark mounting height line C. (4-7/8" from line A)
5. Mark mounting spread from C/L on line B and C according to diagram.
6. Fasten (2) 6# x 2" screws into studs on line B. Fasten (3) 6# x 2" screws into studs on line C. Do not fasten screws all the way, leave approximately 3/8" exposed. **Note: wood blocking may need to be added behind the drywall if no studs are present. Wall anchors may also be used but check local codes for compliance. Failure to use suitable wall anchors and screws to hold the weight of the hood could result in personal injury or damage to cooking surface or counter.**
7. Install round duct collar with backdraft damper to top or rear of hood by (4) M4x8 screws.
8. Hang hood onto wall mounted screws and tighten. (FIG. A #1)
9. Center and attach duct cover bracket to wall below ceiling or soffit using (2) 6# x 1 1/2" screws.
10. Prepair and connect electrical and install duct work and duct tape.
11. Power up hood and check for leaks around duct tape.
12. Place telescopic duct covers onto hood and extend inner (top) duct cover upwards and secure to duct cover bracket using (2) M4x8 screws.



Installation – Mounting the Range Hood

⚠ WARNING: Electrical wiring must be done by a qualified person(s) in accordance with all applicable codes and standards. This range hood must be properly grounded. Turn off electrical power at service entrance before wiring.

Warning:

For personal safety, remove house fuse or open circuit breaker before beginning installation. Do not use extension cord or adaptor plug with this appliance.

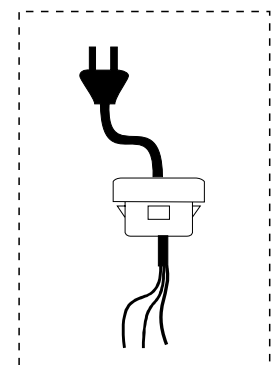
Follow national electrical codes or prevailing local codes and ordinances.

Electrical Supply:

This appliance requires a 120V 60Hz electrical supply, and connected to an individual, properly grounded branch circuit, protected by a 15 or 20 ampere circuit breaker or time delay fuse. Wiring must be 2 wire w/ground. Please refer to Electrical Diagram labeled on product.

Cable Lock:

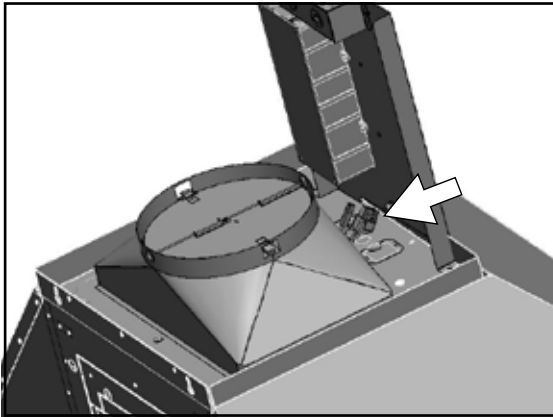
A cable locking connector (not supplied) might also be required by local codes. Check with local requirements and codes, purchase and install appropriate connector if necessary.



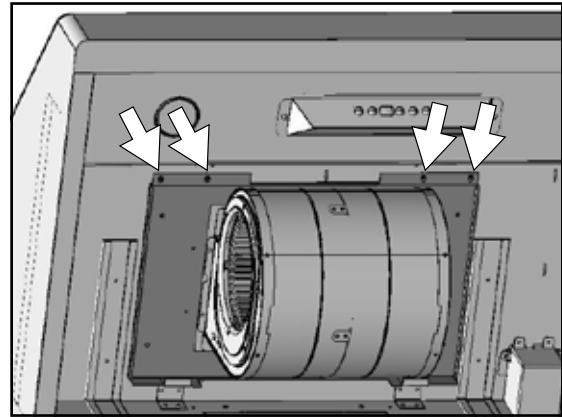
Cable Lock

Installation – PBD-1300A Dual Blower Ducting

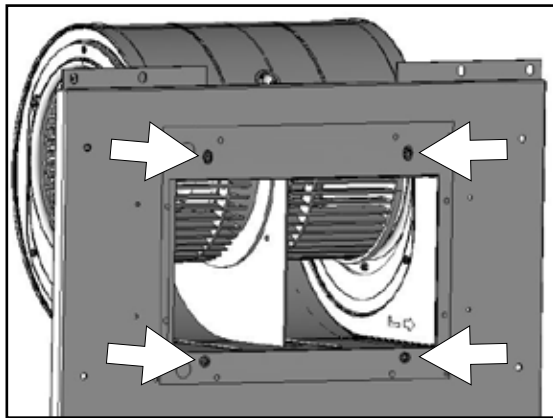
This range hood is equipped standard with a single blower vertical duct option. To convert from single blower vertical ducting to dual blower vertical ducting please following the instructions below.



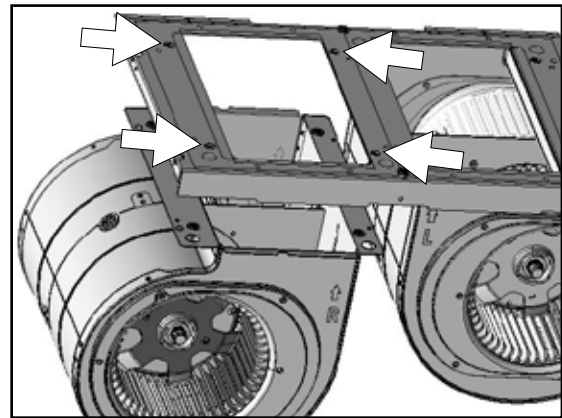
1. Disconnect blower plug and white and black power cables.



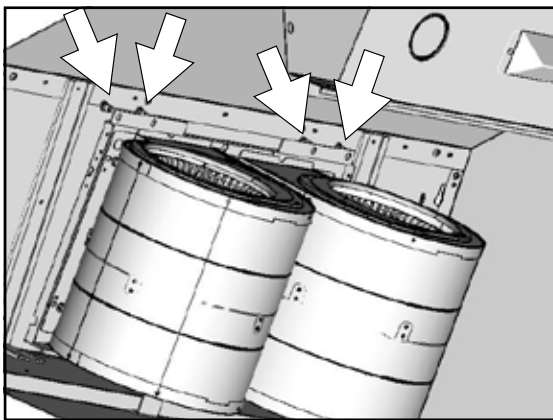
2. Remove (4) screws from interior of hood body attaching single blower plate to top of hood body. Remove single blower and single blower plate.



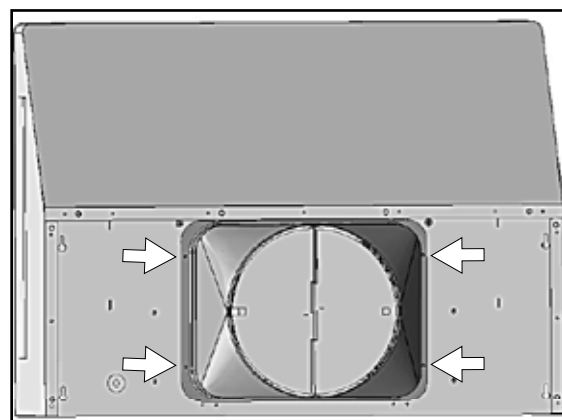
3. Remove (4) screws attaching single blower to single blower plate.



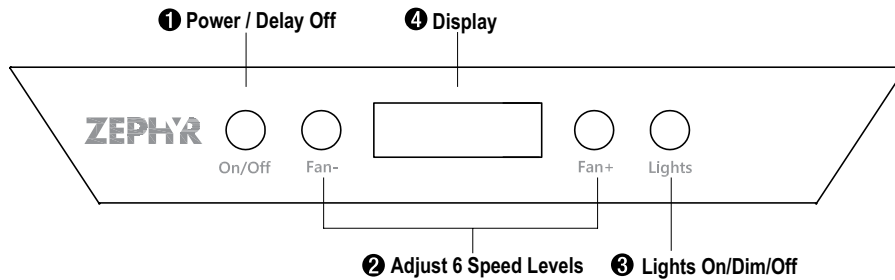
4. Attach single blower to dual blower plate by (4) previously removed screws from step 3.



5. Position dual blower inside hood body as shown. Be sure to tuck dual blower plate into blower plate tabs. Secure dual blower by (4) screws previously removed from step 2.



6. Attach 10" round blower collar to top of hood body by (4) M4 x 8 screws. Connect blower wire extension cable to new blower and connect plugs from each blower to female plugs behind switch panel.



1. Power / Delay Off

Power Button Function

On/Off button will turn power on and off for entire hood (fan and lights). The hood will remember the last speed and light level it was turned off at.

Delay Off Button Function

With the fan on, press and hold the On/Off button for three seconds. The fan will change to speed 1 and the 10 minute delay off timer will start. A countdown timer will show on the display indicating the time left until the fan and lights automatically turn off. Pressing the On/Off button while the Delay Off Function is enabled will turn the hood off and cancel the Delay Off Function.

ACT™ Verification

Airflow Control Technology (ACT™) allows the installer to set the maximum blower CFM to align with local codes and regulations.

To verify the maximum blower CFM:

With hood off, hold the On/Off button for three seconds. The Display will show if ACT™ is disabled and set to the maximum CFM or if ACT™ is enabled and set to one of the restricted maximum CFM levels of 590, 390 or 290.

2. Speed Selection

The 6 speed levels are selected by pressing Fan - to decrease and Fan + to increase speed levels. The Display indicates the speed level selected.

ACT™ Enabled Speed Selections

When ACT™ is enabled, the number of fan speeds will be reduced to Maximum 3 speeds.

3. Lights On/Dim/Off

Switch lights on by pressing Lights button once, press a second time to dim and again to shut off lights.

4. Display

The display window indicates speed levels and features such as baffle filter clean reminder, delay off and clean air indicator.

Filter Clean Reminder

After 30 hours of fan usage the words "Clean grease filters" will show on the Display indicating it is time to clean the filters.

To Reset: With hood off, hold the Fan - button for 3 seconds until the display words "Clean grease filters" turns off

Clean Air

Clean Air is a feature that turns the fan on every 4 hours for 10 minutes to remove stagnant air in the kitchen.

To enable Clean Air Function:

With hood off, hold the Fan - button and Fan + button simultaneously for three seconds. The words "CleanAir Function Activated" will illuminate and the fan will turn on speed 1 for 10 minutes. After 10 minutes the fan will turn off and the 4 hour timer will begin.

To disable Clean Air Function:

With hood off, hold the Fan - button and Fan + button simultaneously for three seconds. The words "CleanAir Function Deactivated" will illuminate indicating the function has been disabled.

When the Clean Air Function is enabled the fan will turn on speed 1 for 10 minutes every 4 hours of non fan usage. After 10 minutes the fan will turn off and the 4 hour timer will reset.

If the user changes the fan speed while the Clean Air Function is in use, the Clean Air Function will stop. If the user presses the On/Off button at any time the 4 hour Clean Air timer will reset.

Optional Remote Control Pairing

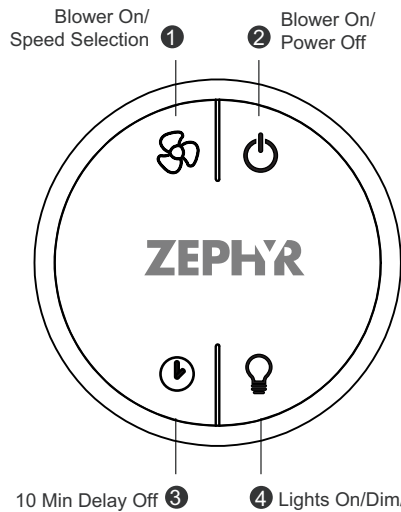
To create a unique link between your hood and optional remote control please follow these steps.

With Hood off, press and hold the Lights button until the Display shows the words "Remote Pairing..." then press any button on the remote, the Display will then show the words "Remote Paired" indicating the remote control pairing is complete.

FCC Caution: To assure continued compliance, any changes or modifications not expressly approved by the party responsible for compliance could void the user's authority to operate this equipment. (Example - use only shielded interface cables when connecting to computer or peripheral device. This device complies with Part 15 of the FCC Rules. Operation is subject to the following two conditions. (1) This device may not cause harmful interference, and (2) This device must accept any interference received, including interference that may cause undesired operation.

REMOTE PAIRING: To create a unique link between your hood and remote control please follow these steps:
 1. With hood off, press and hold the "lights" button on the hood until "Remote Pairing" shows on the display screen.
 2. Press the any button on the remote, the display will show "Remote Paired" indicating the pairing is complete.

RF REMOTE FUNCTIONS:



1 Blower On / Speed Selection

Press to power on blower and cycle through all six blower speeds.

2 Blower On / Power Off

By pressing , the blowers will power on at the last speed setting. Press again and the entire hood will power off, including lights.

3 Delay Off

By pressing , the blower and lights will enter Delay Off mode. The blower will change to speed 1 and shut down after 10 minutes.

4 Lights On / Dim / Off

Switch lights On by pressing once, again to dim and again to switch Off.

RF REMOTE FEATURES:

The RF remote control is equipped with a magnet on the back for easy storage. The remote may be placed on any magnetic surface such as a refrigerator or the Zephyr remote holder, FIG. 1. The remote holder can be inserted into a standard electrical outlet for easy storage. Note: The remote holder does not charge the RF remote.

Maximum remote control communication distance is 15 feet from the hood.

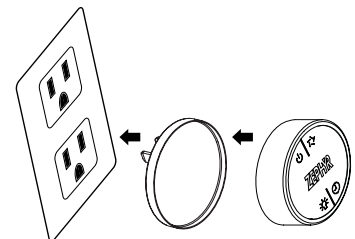


FIG. 1

RF REMOTE MAINTENANCE:

Clean the remote control using non abrasive detergents

Follow instructions below for replacing battery.

Using a small flat head screwdriver, raise the cover of the battery door (A) in order to access the battery compartment. FIG. 2.

Remove the battery and replace with battery type **A23 12V**.

Negative end of battery should face the spring inside the remote.

Re-install battery door and recycle old battery.

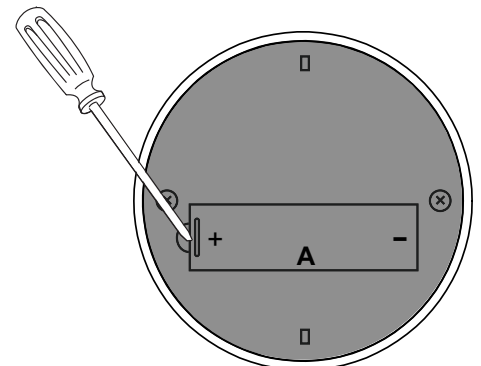


FIG. 2

THE RF REMOVE CONTROL IS AN OPTIONAL ACCESSORY NOT INCLUDED WITH THE HOOD AND MUST BE PURCHASED SEPARATELY

SURFACE MAINTENANCE:

Do not use corrosive detergents, abrasive detergents or oven cleaners.
 Do not use any product containing chlorine bleach or any product containing chloride.
 Do not use steel wool or abrasive scrubbing pads which will scratch and damage surface.

Cleaning Stainless Steel

Clean periodically with warm soapy water and clean cotton cloth or micro fiber cloth. Always rub in the direction of the stainless steel grain. To remove heavier grease build up use a liquid degreaser detergent.

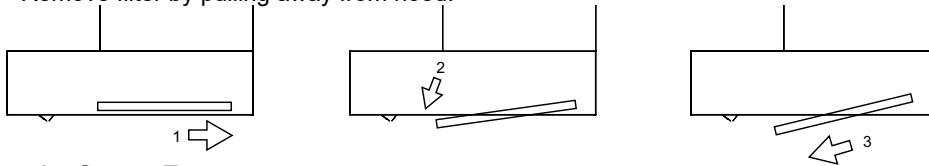
After cleaning use a non-abrasive stainless steel polish/cleaners, to polish and buff out the stainless luster and grain. Always scrub lightly, with clean cotton cloth or micro fiber cloth and buff in the direction of the stainless steel grain.

Stainless Steel Baffle Filters

The stainless steel baffle filters are intended to trap residue and grease from cooking. Although the filters should never need replacing, they are required to be cleaned every 30 days or more often depending on cooking habits. Filters may be placed in dishwasher at low heat or soaked in hot soapy water. Dry filters and re-install before using hood.

Removing Baffle Filters

1. Push filter toward back of range hood using handles.
2. Pivot front of filter downward.
3. Remove filter by pulling away from hood.



Cleaning the Grease Tray

The grease tray is intended to catch residue and grease that may drip from the baffle filters. The grease tray should be cleaned when baffle filters are cleaned. Clean the grease tray by soaking in hot soapy water and gently scrubbing any residue off with a soft terry cloth. Dry grease tray and re-install before using hood.

REPLACING LIGHT BULBS

Make sure all power is turned off.

Remove by turning bulb counter clockwise. **Note:** Bulb does not unscrew; it turns 60 degrees, stops and falls out. If bulbs are difficult to turn due to prolonged use, firmly attach a glass suction cup approximately the diameter of the bulb or use a rubber/latex glove and turn counter clockwise. FIG. 3.

Directional Lighting

The light bulbs can be tilted forwards and backwards to better direct light over your cooking surface. FIG. 4.

Replacement bulbs are available to purchase directly from Zephyr. Purchase online at <http://store.zephyronline.com> or call us at 1.888.880.8368

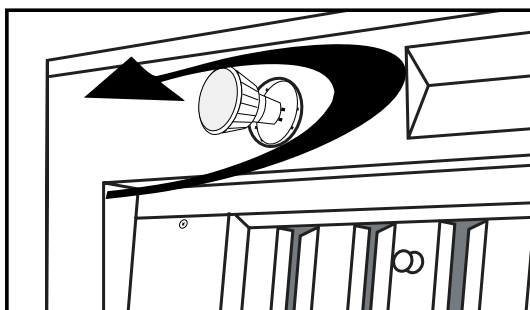


FIG. 3

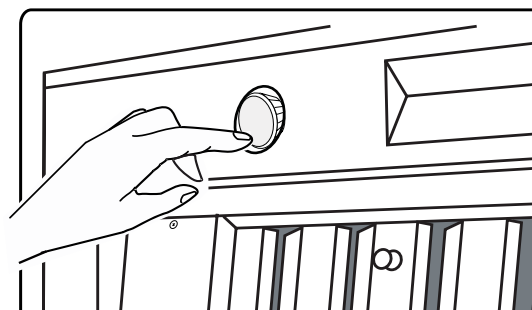


FIG. 4

TROUBLESHOOTING PROCEDURES

Issue	Cause	What to do
After installation, the unit doesn't work.	1. The power source is not turned ON.	1. Make sure the circuit breaker and the unit's power is ON.
	2. The power line and the cable locking connector is not connecting properly.	2. Check the power connection with the unit is connected properly.
	3. The switch board and control board wirings are disconnected.	3. Make sure the wirings between the switch board and control board are connected properly.
	4. The wires on control board are loose.	4. Make sure the wires on the control board are connected properly.
	5. The switch board or control board is defective.	5. Change the switch board or control board.
Light works, but the blower is not turning.	1. The blower is defective, possible seized.	1. Change the blower.
	2. The thermally protected system detects if the blower is too hot to operate and shuts the blower down.	2. The blower will function properly after the thermally protected system cool down.
	3. Damaged capacitor.	3. Change the capacitor.
	4. The blower wire is not connected.	4. Make sure the blower wire is plugged into the molex connector.
The unit is vibrating.	1. The blower is not secure in place.	1. Tighten the blower in place.
	2. Damaged blower wheel.	2. Change the blower.
	3. The hood is not secured in place.	3. Check the installation of the hood.
The blower is working, but the lights are not.	1. Defective halogen bulb.	1. Change the halogen bulb.
	2. The light bulb is loose.	2. Tighten the light bulb.
	3. The light bulb plug is disconnected.	3. Check the light bulb plug connection.
The hood is not venting out properly.	1. The hood might be hanging too high from the cook top.	1. Adjust the distance between the cook top and the bottom of the hood within 24" and 34" range.
	2. The wind from the opened windows or opened doors in the surrounding area are affecting the ventilation of the hood.	2. Close all the windows and doors to eliminate the outside wind flow.
	3. Blockage in the duct opening or duct work.	3. Remove all the blocking from the duct work or duct opening.
	4. The direction of duct opening is against the wind.	4. Adjust the duct opening direction.
	5. Using the wrong size of ducting.	5. Change the ducting to correct size.
Metal filter is vibrating.	1. Metal filter is loose.	1. Change the metal filter.
	2. Spring clip is broken.	2. Change the spring clip.
The blower turns on by itself.	1. The clean air function has been enabled turning the blower on every 4 hours.	1. Disable the clean air function by following the steps on page 11.

Airflow Control Technology (ACT™)

Some local codes limit the maximum amount of CFM a range hood can move. ACT™ allows you to control the maximum blower CFM of select Zephyr Ventilation range hoods without the need for expensive make up air kits. ACT™ enables the installer to easily set the maximum blower speed to one of two most commonly specified CFM levels; 590, 390 or 290 CFM. The usage of ACT™ may not be necessary for your installation. Please check your local codes for CFM restrictions.

By default the maximum blower CFM is set to 750.

ACT™ NOT AVAILABLE WITH 1300 CFM DUAL INTERNAL BLOWER OPTION



CAUTION:

Hood must be disconnected from main power prior to performing the conversion instructions listed below. Failure to do so could result in personal injury or damage to the product.

To enable ACT™

1. Before hood installation, gain access to PC board by following the steps shown in FIG. C.
2. Change plastic jumper positioning as shown in FIG. D to set the desired maximum blower CFM.
3. Re-install PC board & continue with hood installation.
4. Remove the appropriate foil CFM sticker included with the hood literature and place inside the hood body below the wiring diagram or in another clearly visible location.

NOTE: After re-positioning the jumper and powering on the hood, the CFM cannot be changed again.

To verify if your installer enabled ACT™

With hood off, hold the On/Off button for three seconds. The Display will show if ACT™ is disabled and set to the maximum CFM or if ACT™ is enabled and set to one of the restricted maximum CFM levels of 590, 390 or 290.

There should also be a foil label located inside the hood body near the wiring diagram that indicates the blower CFM.

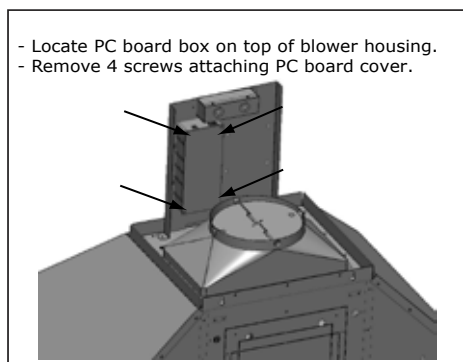


FIG. C

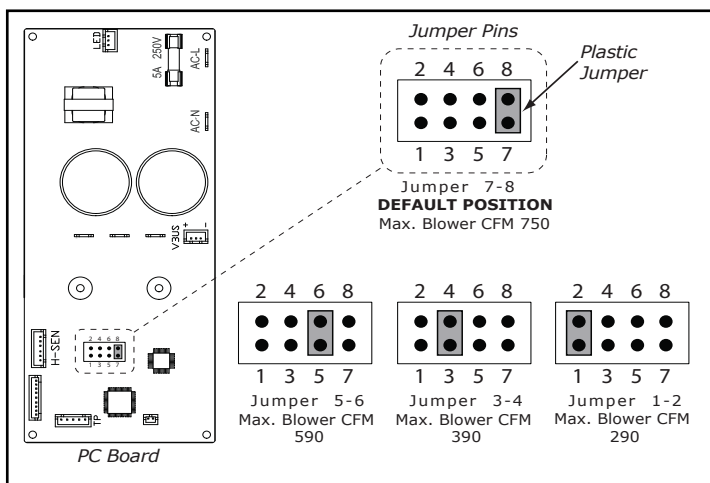
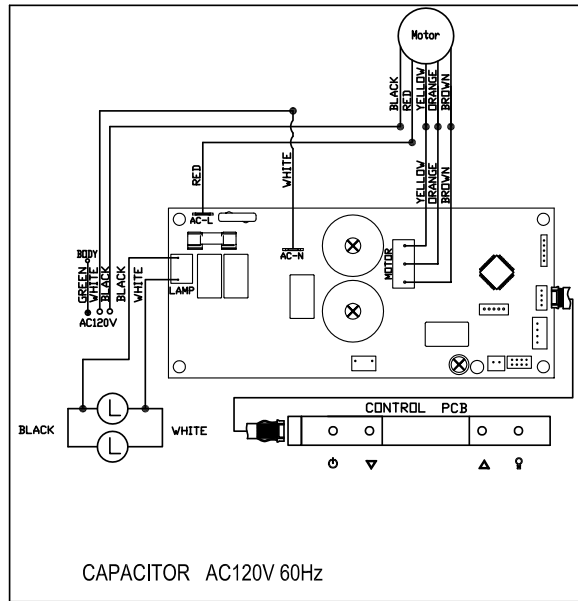


FIG. D

Wiring Diagrams

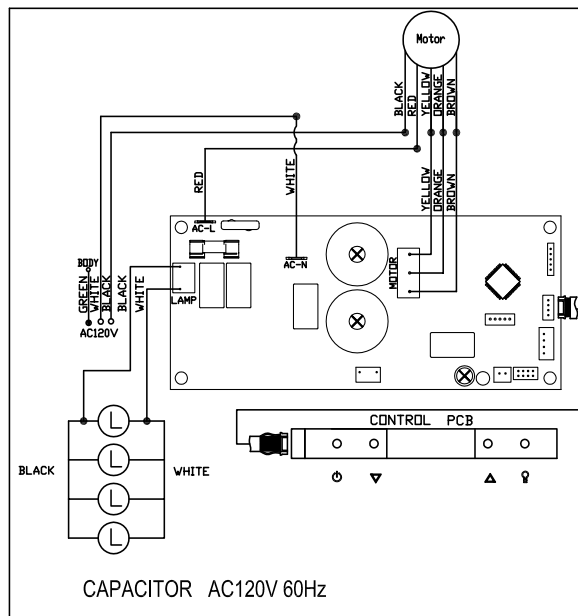
Models: ZRP-E36AS
 Voltage: 120V 60HZ 4A
 Power consumption
 Total: 286W
 Lamp: 13W
 Fan: 273W

THERMALLY PROTECTED



Models: ZRP-E48AS
 Voltage: 120V 60HZ 4.2A
 Power consumption
 Total: 299W
 Lamp: 26W
 Fan: 273W

THERMALLY PROTECTED



ACT 590 CFM - Fan Max. 175W @ 2.6A
 ACT 390 CFM - Fan Max. 94W @ 1.4A
 ACT 290 CFM - Fan Max. 63W @ 0.9A

DESCRIPTION	PART #
Replacement Parts	
LED Light Bulb MR16 (GU10) 6W (each)	Z0B0040
Baffle Filter (each)	50210033
Optional Accessories	
Dual Internal Blower	PBD-1300A
Duct Cover Extension	Z1C-00RP
Make-Up Air Kit (Single Blower)	MUA008A
Make-Up Air Kit (Dual Blower)	MUA010A

To order parts, visit us online at <http://store.zephyronline.com> or call us at 1.888.880.8368

ZEPHYR
Limited Warranty

STAPLE YOUR RECEIPT HERE
Proof of the original purchase
date is needed to obtain
service under warranty

TO OBTAIN SERVICE UNDER WARRANTY OR FOR ANY SERVICE RELATED QUESTIONS, please call:
1-888-880-8368

Zephyr Ventilation, LLC (referred to herein as “we” or “us”) warrants to the original consumer purchaser (referred to herein as “you” or “your”) of Zephyr products (the “Products”) that such Products will be free from defects in materials or workmanship as follows:

Three Year Limited Warranty for Parts: For three years from the date of your original purchase of the Products, we will provide, free of charge, Products or parts (including LED light bulbs, if applicable) to replace those that failed due to manufacturing defects subject to the exclusions and limitations below. We may choose, in our sole discretion, to repair or replace parts before we elect to replace the Products.

One Year Limited Warranty for Labor: For one year from the date of your original purchase of the Products, we will provide, free of charge, the labor cost associated with repairing the Products or parts to replace those that failed due to manufacturing defects subject to the exclusions and limitations below. After the first year from the date of your original purchase, you are responsible for all labor costs associated with this warranty.

Warranty Exclusions: This warranty covers only repair or replacement, at our option, of defective Products or parts and does not cover any other costs related to the Products including but not limited to: (a) normal maintenance and service required for the Products and consumable parts such as fluorescent, incandescent or halogen light bulbs, mesh and charcoal filters and fuses; (b) any Products or parts which have been subject to freight damage, misuse, negligence, accident, faulty installation or installation contrary to recommended installation instructions, improper maintenance or repair (other than by us); (c) commercial or government use of the Products or use otherwise inconsistent with its intended purpose; (d) natural wear of the finish of the Products or wear caused by improper maintenance, use of corrosive and abrasive cleaning products, pads, and oven cleaner products; (e) chips, dents or cracks caused by abuse or misuse of the Products; (f) service trips to your home to teach you how to use the Products; (g) damage to the Products caused by accident, fire, floods, acts of God; or (h) Custom installations or alterations that impact serviceability of the Products. If you are outside our service area, additional charges may apply for shipping costs for warranty repair at our designated service locations and for the travel cost to have a service technician come to your home to repair, remove or reinstall the Products. After the first year from the date of your original purchase, you are also responsible for all labor costs associated with this warranty. All Products must be installed by a qualified professional installer to be eligible for warranty repairs or service.

Limitations of Warranty. OUR OBLIGATION TO REPAIR OR REPLACE, AT OUR OPTION, SHALL BE YOUR SOLE AND EXCLUSIVE REMEDY UNDER THIS WARRANTY. WE SHALL NOT BE LIABLE FOR INCIDENTAL, CONSEQUENTIAL OR SPECIAL DAMAGES ARISING OUT OF OR IN CONNECTION WITH THE USE OR PERFORMANCE OF THE PRODUCTS. THE EXPRESS WARRANTIES IN THE PRECEDING SECTION ARE EXCLUSIVE AND IN LIEU OF ALL OTHER EXPRESS WARRANTIES. WE HEREBY DISCLAIM AND EXCLUDE ALL OTHER EXPRESS WARRANTIES FOR THE PRODUCTS, AND DISCLAIM AND EXCLUDE ALL WARRANTIES IMPLIED BY LAW, INCLUDING THOSE OF MERCHANTABILITY AND FITNESS FOR A PARTICULAR PURPOSE.

Some states or provinces do not allow limitations on the duration of an implied warranty or the exclusion or limitation of incidental or consequential damages, so the above limitations or exclusions may not apply to you. To the extent that applicable law prohibits the exclusion of implied warranties, the duration of any applicable implied warranty is limited to the same three-year and one-year periods described above if permitted by applicable law. Any oral or written description of the Products is for the sole purpose of identifying the Products and shall not be construed as an express warranty. Prior to using, implementing or permitting use of the Products, you shall determine the suitability of the Products for the intended use, and you shall assume all risk and liability whatsoever in connection with such determination. We reserve the right to use functionally equivalent refurbished or reconditioned parts or Products as warranty replacements or as part of warranty service. This warranty is not transferable from the original purchaser and only applies to the consumer residence where the Product was originally installed located in the United States and Canada. This warranty is not extended to resellers.

To Obtain Service Under Limited Warranty: To qualify for warranty service, you must: (a) notify us at the address or telephone number stated below within 60 days of the discovery of the defect; (b) give the model number and serial number; and (c) describe the nature of any defect in the Product or part. At the time of the request for warranty service, you must present evidence of your proof of purchase and proof of the original purchase date. If we determine that the warranty exclusions listed above apply or if you fail to provide the necessary documentation to obtain service, you will be responsible for all shipping, travel, labor and other costs related to the services. This warranty is not extended or restarted upon warranty repair or replacements.

Please check our website for any additional Product information, www.zephyronline.com.

Zephyr Ventilation Service Department, 2277 Harbor Bay Parkway, Alameda, CA 94502 1-888-880-8368

PRODUCT REGISTRATION

Congratulations on your Zephyr range hood purchase! Please take a moment to register your new range hood at www.zephyronline.com/registration

IT'S IMPORTANT

Prompt registration helps in more ways than one.

- Ensures warranty coverage should you need service.
- Ownership verification for insurance purposes.
- Notification of product changes or recalls.

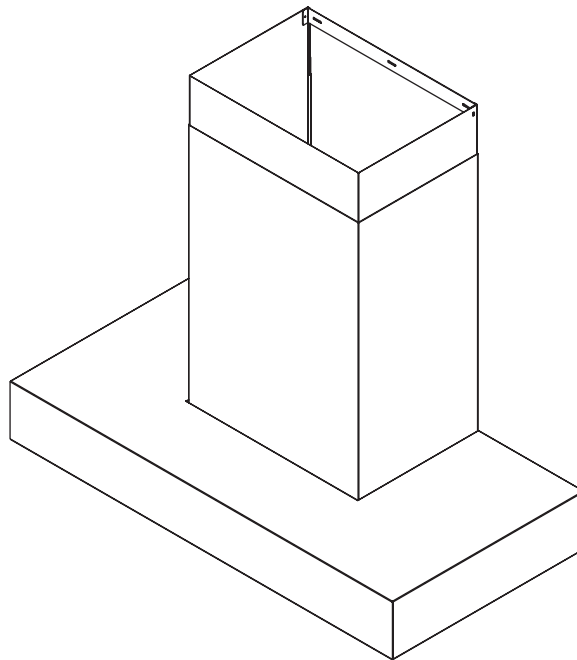


Zephyr Ventilation | 2277 Harbor Bay Pkwy. | Alameda, CA 94502 | 1.888.880.8368

Roma Pro Wall

ZRP-E36AS

ZRP-E48AS



Numéro de modèle : _____

Numéro de série : _____

Date d'achat : _____

Détaillant: _____



MISE EN GARDE DE SÉCURITÉ.....2-3

LISTE DU MATÉRIEL.....4

INSTALLATION

 Feuille de calcul pour le conduit.....5

 Espace libre et hauteur de montage.....6

 Options d’installation pour le conduit.....7

 Spécifications.....8

 Installation de la hotte.....9

 Conduit pour ventilateur double PBD-1200A.....10

COMMANDES ET CARACTÉRISTIQUES

 Commandes à effleurement.....11

 Commande à distance optionnelle12

ENTRETIEN

 Nettoyage et retrait des filtres et Ampoules.....13

DÉPANNAGE.....14

FICHE DE CONVERSION D’ACT.....15

SCHÉMAS DE CÂBLAGE.....16

LISTES DES ACCESSOIRES ET DES PIÈCES.....17

GARANTIE.....18

ENREGISTRMENT DU PRODUIT.....19

AVERTISSEMENT

POUR RÉDUIRE LES RISQUES D'INCENDIE OU DE DÉCHARGE ÉLECTRIQUE, N'UTILISEZ PAS CET APPAREIL AVEC UN TABLEAU DE COMMANDE À SEMI-CONDUCTEURS.

AVERTISSEMENT

POUR RÉDUIRE LES RISQUES D'INCENDIE, DE DÉCHARGE ÉLECTRIQUE OU DE BLESSURE, RESPECTEZ CES CONSIGNES :

- N'utilisez cet appareil que de la manière prévue par le fabricant. Si vous avez des questions, communiquez avec le fabricant.
- Avant de procéder au nettoyage ou à l'entretien de l'appareil, éteignez l'alimentation du panneau électrique et bloquez le dispositif de déconnexion pour éviter que l'alimentation électrique ne soit accidentellement rallumée. Si le dispositif de sectionnement d'électricité ne peut être bloqué, attachez un avertissement (comme une étiquette) bien en vue sur le tableau électrique.

ATTENTION

Pour ventilation générale seulement. N'utilisez pas cet appareil pour évacuer des vapeurs et des matériaux explosifs ou dangereux. Prenez garde lors de l'utilisation d'agents nettoyants ou de détergents. Ne devrait être utilisé que dans la cuisine de votre maison.

AVERTISSEMENT

POUR RÉDUIRE LES RISQUES DE FEU DE GRAISSE SUR LA SURFACE DE CUISSON :

- Ne laissez jamais l'appareil sans surveillance lors de son utilisation à haute température. Les débordements par bouillonnement causent de la fumée et des déversements de graisse qui peuvent prendre feu. Faites chauffer l'huile à des températures basses ou moyennes.
- Allumez toujours la hotte lorsque vous cuisinez à haute température ou que vous faites flamber des aliments.
- Nettoyez fréquemment les ventilateurs de la hotte. La graisse ne devrait jamais s'accumuler dans les ventilateurs ou les filtres.
- Utilisez des poêlons aux dimensions adéquates. Utilisez toujours une batterie de cuisine correspondant aux dimensions de l'élément.
- Assurez-vous que le ventilateur, les filtres et les surfaces où la graisse pourrait s'accumuler sont toujours propres.
- Utilisez le réglage haut de la hotte seulement lorsque nécessaire.
- Ne laissez pas la hotte sans surveillance lorsque vous cuisinez.
- Utilisez toujours une batterie de cuisine et des ustensiles convenant au type et à la quantité de nourriture que vous préparez.

AVERTISSEMENT

POUR RÉDUIRE LES RISQUES DE BLESSURE LORS D'UN INCENDIE SUR LA SURFACE DE CUISSON :

- ÉTOUFFEZ LES FLAMMES avec un couvercle, une plaque à biscuits ou un plateau de métal et éteignez ensuite le brûleur. PRENEZ GARDE AUX RISQUES DE BRÛLURE. Si les flammes ne disparaissent pas, ÉVACUEZ LES LIEUX ET APPELEZ LE SERVICE D'INCENDIE.
- NE PRENEZ JAMAIS UN POÉLON EN FEU – Vous pourriez vous brûler.
- N'UTILISEZ PAS D'EAU, ou un linge à vaisselle mouillé – une violente explosion de vapeur s'ensuivra.
- Utilisez un extincteur SEULEMENT si :
 - Vous savez que vous possédez un extincteur de classe ABC et vous savez vous en servir.
 - Le feu est faible et ne s'est pas répandu depuis son point d'origine.
 - Vous avez appelé le service d'incendie.
 - Vous pouvez sortir facilement de l'endroit où vous combattez le feu.

AVERTISSEMENT

POUR RÉDUIRE LES RISQUES D'INCENDIE, DE DÉCHARGE ÉLECTRIQUE OU DE BLESSURE, SUIVEZ LES CONSIGNES SUIVANTES :

- Les travaux d'installation et de câblage électrique doivent être faits par une personne qualifiée selon les stipulations de tous les normes et standards en vigueur, dont les normes des constructions ayant une cote de résistance au feu.
- Pour prévenir les contre-explosions, une certaine quantité d'air est nécessaire pour la combustion et l'évacuation des gaz par le carneau (cheminée) de l'appareil de combustion. Respectez les directives du fabricant d'outillage de chauffage et les normes de sécurité comme celles publiées par la NFPA (Association nationale des services d'incendie), par la Société américaine des ingénieurs en chauffage, réfrigération et climatisation (ASHRAE) et par les normes des autorités locales.
- Lorsque vous coupez ou percez un mur ou un plafond, assurez-vous de ne pas endommager le câblage électrique ou toute autre installation technique dissimulée.
- Les ventilateurs canalisés doivent toujours évacuer l'air à l'extérieur.
- N'installez JAMAIS un interrupteur à une distance atteignable depuis un bain ou une douche.
- Assurez-vous que l'alimentation électrique est éteinte avant de procéder à l'installation, au câblage ou à l'entretien de l'appareil.

ATTENTION

POUR RÉDUIRE LES RISQUES D'INCENDIE, N'UTILISEZ QUE DES CONDUITS D'AÉRATION EN MÉTAL.

ATTENTION

Pour réduire les risques d'incendie et pour évacuer l'air convenablement, assurez-vous de canaliser l'air à l'extérieur de la maison. N'installez pas l'échappement du conduit dans les espaces entre les murs, le plafond, le grenier, les vides sanitaires ou le garage.

FONCTIONNEMENT

Laissez toujours les grilles de sûreté et les filtres en place. Sans ces éléments, les ventilateurs en marche pourraient accrocher des cheveux, des doigts ou des vêtements amples.

Le fabricant se dégage de toute responsabilité dans les cas de non-respect des instructions transmises dans le présent manuel pour l'installation, l'entretien et l'utilisation adéquate du produit. Le fabricant se dégage également de toute responsabilité pour des blessures qui résulteraient de la négligence lors de l'utilisation. De plus, la garantie prend fin automatiquement lors de l'entretien inapproprié de l'appareil.

***NOTE : Veuillez communiquer avec nous ou visitez le www.zephyronline.com pour obtenir des révisions avant de procéder à des travaux sur commande.**

EXIGENCES ÉLECTRIQUES

Important :

Respectez tous les codes et règlements en vigueur.

Il est de la responsabilité du client de :

- Communiquer avec un installateur-électricien qualifié.
- S'assurer que l'installation électrique est adéquate et qu'elle respecte le Code national de l'électricité, la plus récente édition* du ANSI/NFPA 70 ou des normes du CSA C22.1-94, le Code canadien de l'électricité, section 1, la plus récente édition** du code C22.2 No.0-M91 ainsi que tous les codes et règlements en vigueur.

Si les codes permettent l'utilisation d'un fil de garde isolé et que vous en utilisez un, il est recommandé qu'un électricien qualifié détermine si le cheminement du fil est adéquat.

N'effectuez pas la mise à la terre à un tuyau de gaz.

Demandez à un électricien qualifié si vous n'êtes pas certain que la hotte a été mise à la terre adéquatement.

N'introduisez aucun fusible dans le circuit neutre ou de mise à la terre.

*National Fire Protection Association Batterymarch Park, Quincy, Massachusetts 02269

** CSA International 8501 East Pleasant Valley Road, Cleveland, Ohio 44131-5575

Cet appareil requiert une alimentation électrique de 120V 60Hz. Il doit être connecté à un circuit terminal individuel dûment mis à la terre, protégé par un disjoncteur de circuit ou un fusible temporisé de 15 ou 20 ampères. Le câblage doit compter 2 fils avec mise à la terre. Veuillez vous référer au Diagramme électrique étiqueté sur l'appareil.

Un raccord de câble (non inclus) pourrait également être exigé par les normes et réglementations locales. Informez-vous des exigences et des normes locales. Achetez et installez le connecteur approprié si nécessaire.

Déclaration sur les interférences de la Federal Communications Commission (FCC) [États-Unis]

Cet appareil a été testé et respecte les limites des appareils numériques de classe B, conformément au chapitre 15 de la réglementation de la FCC. La conformité aux spécifications de la classe B offre une protection raisonnable contre les perturbations électromagnétiques dans les zones résidentielles. Ce matériel génère, utilise et peut diffuser des fréquences radio; s'il n'est pas installé et utilisé conformément aux directives fournies, il risque d'engendrer des interférences et de perturber les émissions radio. Toutefois, il n'est pas garanti que des perturbations n'interviennent pas pour une installation particulière. Si cet appareil provoque des perturbations gênantes dans les communications radio ou télévision, mettez-le hors tension puis sous tension pour vous en assurer. L'utilisateur peut tenter de remédier à cet incident en appliquant une ou plusieurs des mesures suivantes :

Réorienter ou déplacer l'antenne réceptrice.

Éloigner l'appareil du récepteur.

Brancher l'appareil sur une prise différente de celle du récepteur, sur un circuit distinct.

Consultez le vendeur ou un technicien radio / télé expérimenté pour obtenir de l'aide.

Prop. 65 Avertissement pour les résidents californiens



AVERTISSEMENT:

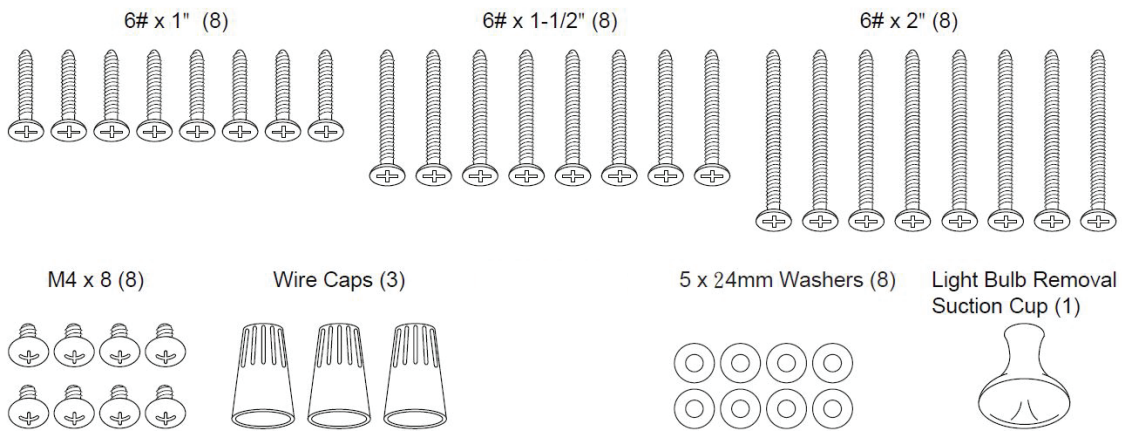
Cancer et troubles de l'appareil reproducteur
www.P65Warnings.ca.gov

Liste du matériel

MODÈLES : ZRP-E36AS, ZRP-E48AS

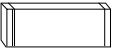

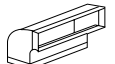
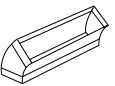
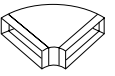
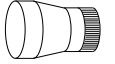

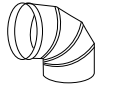

PIÈCES FOURNIES

- 1 - Hotte
- 1 - Support mural pour le recouvrement de conduit
- 1 - Ensemble de recouvrement de conduit (parties supérieure et inférieure)
- 2 - Filtres défecteurs, ZRP-E36AS
- 3 - Filtres défecteurs, ZRP-E48AS
- 2 - Ampoules, ZRP-E36AS
- 4 - Ampoules, ZRP-E48AS
- 1 - Collier de départ circulaire de 8"
- 1 - Paquet de matériel

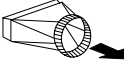
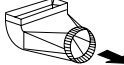
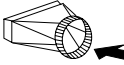
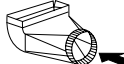
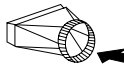
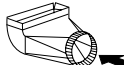
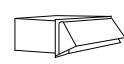
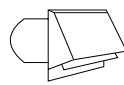



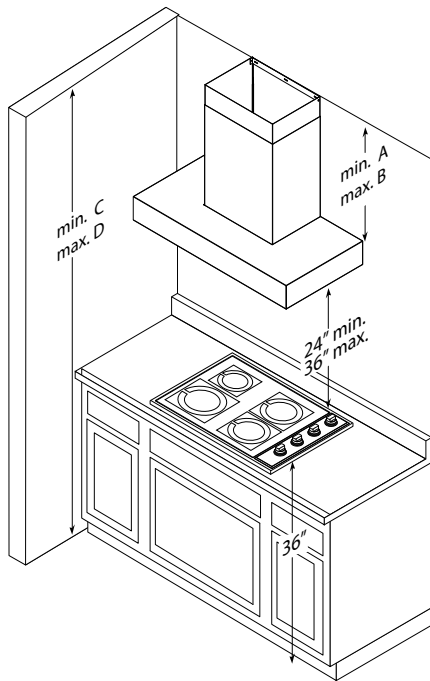
PIÈCES NON FOURNIES

- Conduit et tous les outils d'installation
- Raccord de câble (si exigé par les codes en vigueur)
- Trousse de ventilateur double (PBD-1300A)
- Planche de bois à laquelle suspendre la hotte

Pièces de conduit		Longueur x Nombre utilisé	=	Total
	3-1/4" x 10" rect., droit	1 pi	x () =	pi
	6", 7", 8", 10" circ., droit	1 pi	x () =	pi
	3-1/4" x 10" rect., coude à 90°	15 pi	x () =	pi
	3-1/4" x 10" rect., coude à 45°	9 pi	x () =	pi
	3-1/4" x 10" rect., coude plat à 90°	24 pi	x () =	pi
	7" to 6" or 8" to 7" circ. reducteur conique	25 pi	x () =	pi
	6", 7", 8" circ. bouchone de l'air	15 pi	x () =	pi
	6", 7", 8", 10" circ., coude à 90°	15 pi	x () =	pi
	6", 7", 8", 10" coude à 45°	9 pi	x () =	pi
Sous-total - colonne 1=				pi

Longueur maximale du conduit d'aération :
 Pour un mouvement d'air convenable, la longueur totale d'un conduit d'aération ne devrait pas compter plus que l'équivalent de 100 pieds.

Pièces de conduit		Longueur x Nombre utilisé	=	Total
	6" circ. à rect. de 3-1/4" x 10"	5 pi	x () =	pi
	6" circ. à rect. de 3-1/4" x 10", coude à 90°	20 pi	x () =	pi
	6" circ. à rect. de 3-1/4" x 10"	1 pi	x () =	pi
	6" circ. à rect. de 3-1/4" x 10", coude à 90°	16 pi	x () =	pi
	7" circ. à rect. de 3-1/4" x 10"	8 pi	x () =	pi
	7" circ. à rect. de 3-1/4" x 10", coude à 90°	23 pi	x () =	pi
	3-1/4" x 10" embout mural rect./registre	30 pi	x () =	pi
	6", 7", 8", 10" embout mural circ./registre	30 pi	x () =	pi
	6", 7", 8", 10" chapeau de toiture circ.	30 pi	x () =	pi
Sous-total - colonne 2 =				pi
Sous-total - colonne 1 =				pi
Total du conduit =				pi



	Recouvrement de conduit standard	Prolongement de rec. de conduit
Hauteur de la hotte		
min. avec conduit (A)	31 1/2"	43"
maximum (B)	51"	79"
Hauteur de plafond		
min. avec conduit (C)	91 1/2" (7' 7 1/2")	103" (8' 7")
maximum (D)	121" (10' 1")	149" (12' 5")

CONDUIT D'AÉRATION

Un conduit circulaire minimal de 8" doit être utilisé pour assurer un mouvement d'air maximale lors de l'utilisation d'un ventilateur interne simple. Lors de l'utilisation d'un ventilateur interne double, le conduit circulaire doit être de 10".

N'utilisez que des conduits en métal rigide. Les conduits souples pourraient réduire la circulation d'air jusqu'à 50 %.

Utilisez la feuille de calcul (page 5) pour obtenir la longueur totale du conduit lors de l'utilisation de coudes, de pièces de transition ou de couvercles.

Lorsqu'il possible de le faire, diminuez TOUJOURS le nombre de pièces et de changements de direction. Si un long tronçon de conduit est nécessaire, augmentez le diamètre du conduit.

Si des changements de direction ou des

adaptateurs sont nécessaires, installez-les le plus loin possible de l'ouverture et le plus éloigné possible l'un de l'autre.

La hauteur de montage de la surface de la cuisinière au bas de la hotte ne devrait pas être inférieure à 24".

La hauteur de montage maximale ne devrait pas dépasser 36".

Il est important d'installer la hotte à la hauteur de montage adéquate. Les hottes installées trop basses pourraient être endommagées par la chaleur en plus de présenter des risques d'incendie plus élevés tandis que les hottes installées trop hautes seront difficiles à atteindre et verront leur efficacité et leur rendement réduits.

Si elles sont disponibles, consultez les exigences de hauteur d'espace libre requise par le fabricant de la cuisinière ainsi que la hauteur recommandée de montage de la hotte au-dessus de la surface de cuisson.

Conduit vertical :

- 8" circulaire minimum (ventilateur interne simple)
- 10" circulaire minimum (ventilateur interne double)

ENDOMMAGEMENT LORS DE LA LIVRAISON/ INSTALLATION :

- Veuillez vous assurer que toutes les pièces de l'appareil ne sont pas endommagées avant l'installation.
- Si l'appareil est endommagé durant la livraison, retournez l'appareil à l'endroit où vous l'avez acheté pour réparation ou remplacement.
- Si l'appareil est endommagé par le client, la réparation ou le remplacement est à la charge du client.
- Si l'appareil est endommagé par l'installateur (si autre que le client), le client et l'installateur doivent en venir à une entente pour la réparation ou le remplacement.

AVERTISSEMENT DE RISQUE D'INCENDIE

N'évacuez ou ne terminez JAMAIS l'échappement du conduit dans les espaces entre les murs, les vides sanitaires, le plafond, le grenier, ou le garage. Tous les échappements doivent être dirigés à l'extérieur de la maison.

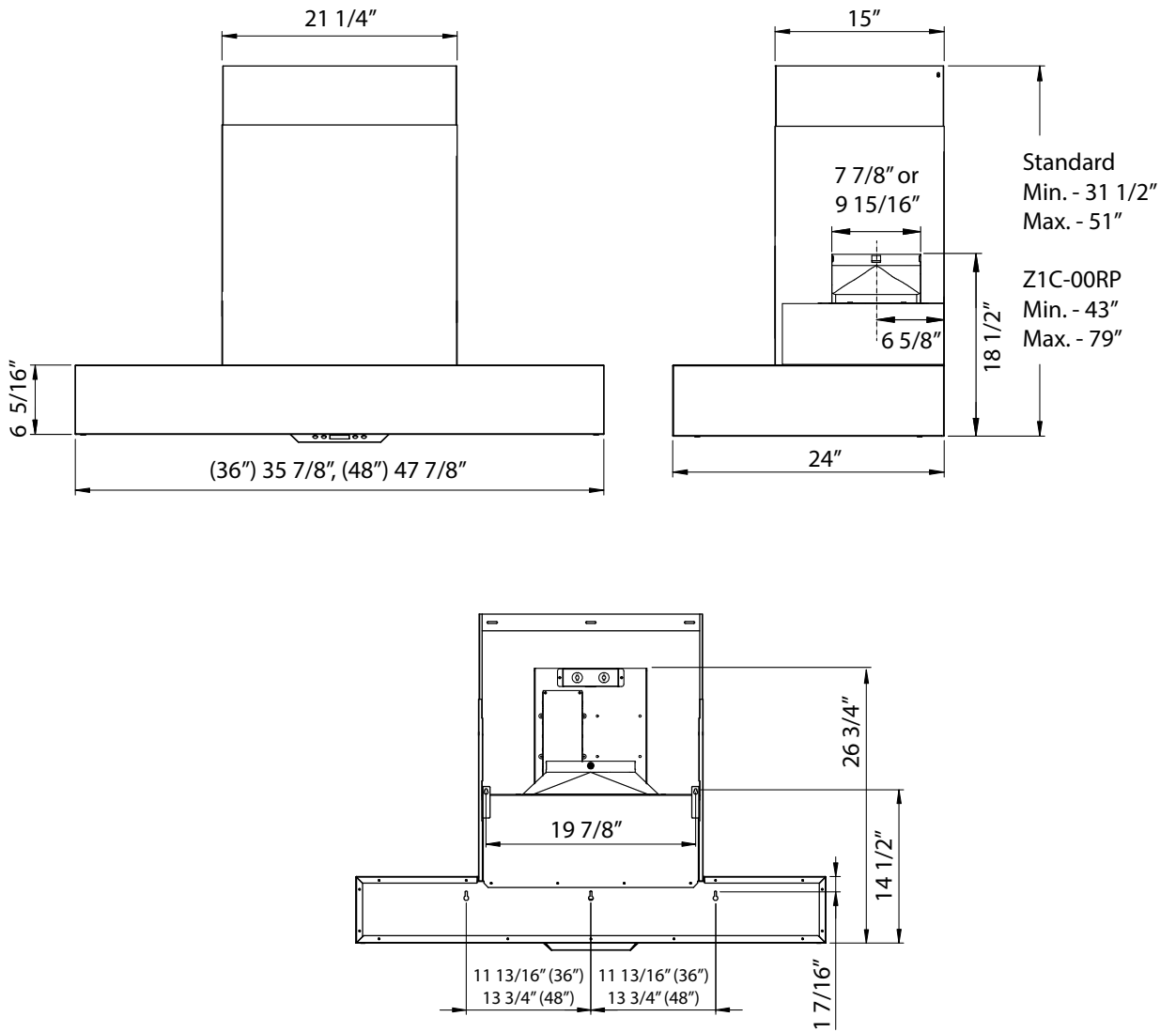
N'utilisez que des conduits en métal pour cloison simple.

Fixez toutes les pièces du conduit avec des vis à tôle et isolez tous les joints avec du ruban à conduit en toile ou du ruban réflecteur certifié.

Exemples d'options pour le conduit d'aération

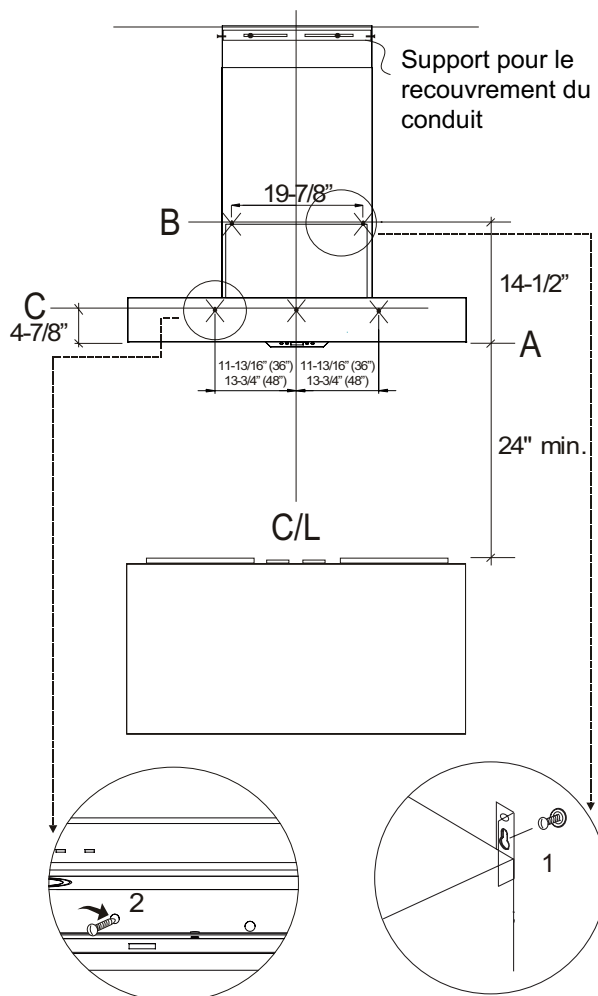


Installation – Specifications



⚠ ATTENTION : Compte tenu du poids et des dimensions de la hotte, au moins deux installateurs sont nécessaires.

1. Prenez la mesure entre la surface de la cuisinière et la base de la hotte; marquez la ligne A (min. 24" à partir du dessus de la cuisinière).
2. Marquez la ligne centrale avec exactitude.
3. Marquez la ligne de hauteur de montage B (à 14-1/2" de la ligne A).
4. Marquez la ligne de hauteur de montage C (à 4-7/8" de la ligne A).
5. Marquez la largeur de montage à partir de la L/C.
6. Fixez (2) vis 6# x 2" aux poutres de la ligne B. Fixez (2) vis 6# x 2" aux poutres de la ligne C. Ne tournez pas les vis jusqu'au fond. **Note : Vous pourriez avoir à ajouter des renforcements de bois derrière la cloison sèche si aucune poutre n'est présente. Des dispositifs d'ancrage au mur peuvent également être utilisés, mais vérifiez d'abord les réglementations locales avant d'utiliser de tels dispositifs.**
7. Enlevez le ruban et les deux vis qui retiennent le support de montage du dispositif électronique à la hotte.
8. Centrez et fixez à l'aide de (2) vis 6# x 1-1/2" le support de montage du recouvrement de conduit au mur juste en dessous du plafond ou de la retombée de plafond.
9. Enlevez le ruban qui retient le support de montage du dispositif électronique à la hotte et fixez-le à la hotte à l'aide des deux vis préinstallées.
10. Procédez à l'installation électrique.
11. Installez les conduits et le ruban à conduit.
12. Mettez la hotte sous tension et vérifiez s'il y a des fuites d'air autour du ruban à conduit.



⚠ AVERTISSEMENT : Le câblage électrique doit être réalisé par une personne qualifiée en conformité avec tous les codes et toutes les normes en vigueur. Cette hotte doit être mise à la terre convenablement. Coupez l'alimentation électrique du panneau électrique avant de procéder au câblage.

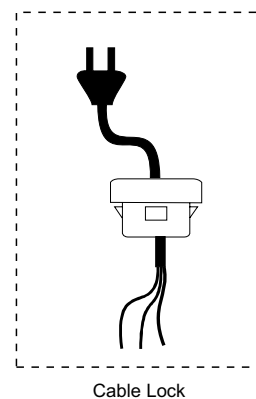
Suivez le code électrique national ou les codes et réglementations en vigueur.

Alimentation électrique :

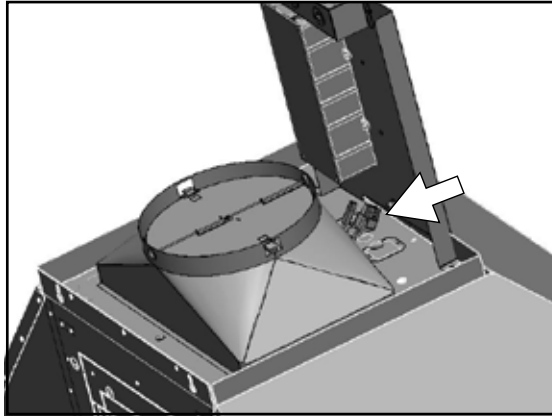
Cet appareil requiert une alimentation électrique de 120V 60Hz et doit être connecté à un circuit terminal individuel dûment mis à la terre et protégé par un disjoncteur de circuit ou un fusible temporisé de 15 ou 20 ampères. Le câblage doit compter deux fils avec mise à la terre. Veuillez consulter le schéma de câblage étiqueté sur l'appareil.

Raccord de câble :

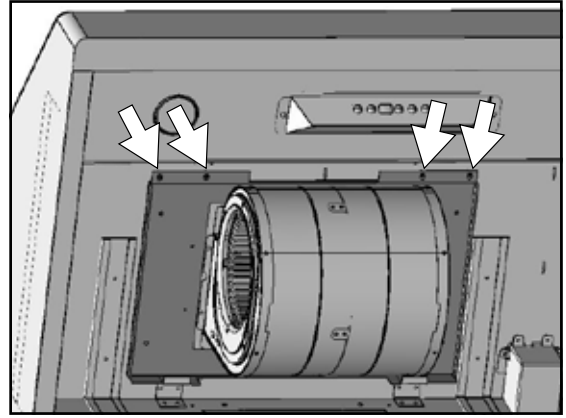
Les normes et réglementations locales peuvent également exiger l'utilisation d'un raccord de câble (non inclus). Informez-vous des exigences et des normes locales. Achetez et installez le connecteur approprié si nécessaire.



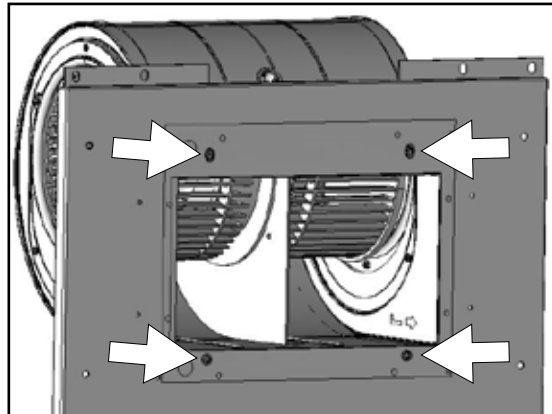
Cette hotte standard est munie d'une entrée pour conduit vertical avec un ventilateur simple. Pour la convertir d'un conduit vertical à ventilateur simple à un conduit vertical à ventilateur double, veuillez suivre les instructions ci-dessous.



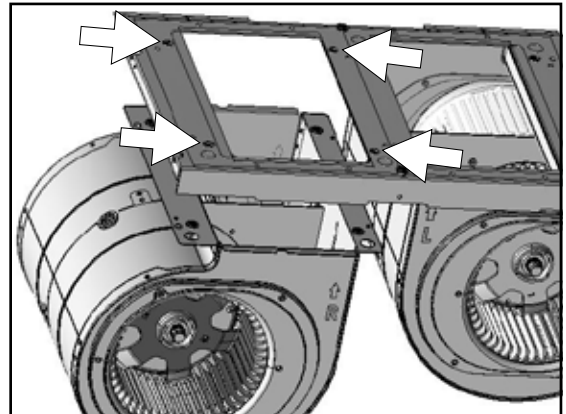
1. Débranchez le connecteur du ventilateur et les câbles d'alimentation blanc et noir.



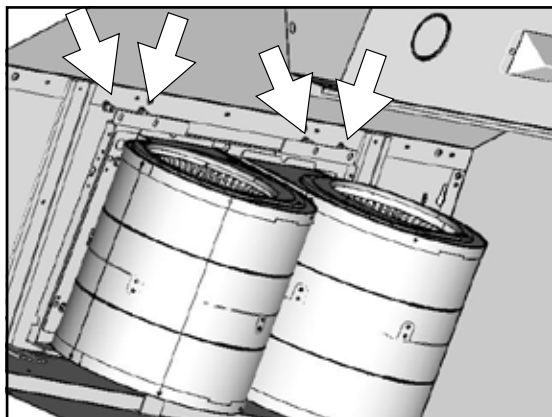
2. Enlevez les quatre (4) vis de l'intérieur de la hotte qui retiennent la plaque du ventilateur à la partie supérieure du bâti. Retirez la plaque du ventilateur simple et la plaque du ventilateur simple.



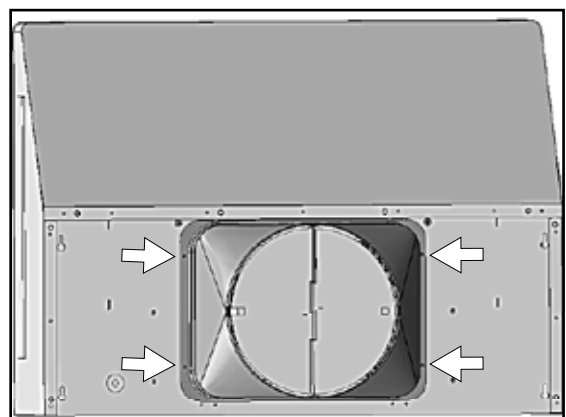
3. Enlevez les quatre (4) vis qui retiennent le ventilateur simple à la plaque du ventilateur simple



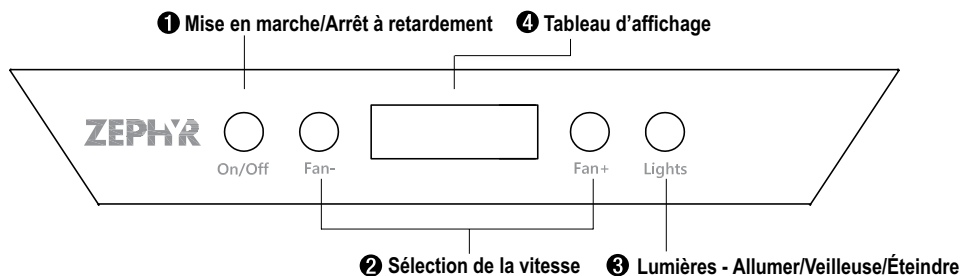
4. Fixez le ventilateur simple à la plaque du ventilateur double à l'aide des quatre (4) vis enlevées à l'étape 3.



5. Placez le ventilateur double à l'intérieur du bâti de la hotte, comme illustré. Assurez-vous de réinsérer la plaque du ventilateur double dans les languettes de la hotte. Fixez le ventilateur double en place à l'aide des quatre (4) vis préalablement retirées à l'étape 2.



6. Fixez le collier de conduit circulaire de 10" à la partie supérieure du bâti de la hotte à l'aide de quatre (4) vis M4 x 8. Branchez le câble d'extension du ventilateur au nouveau ventilateur et branchez les fiches des ventilateurs dans les prises femelles derrière le panneau d'interrupteurs.



1. Mise en marche/Arrêt à retardement

Fonction de mise en marche

La touche On/Off permet d'allumer et d'éteindre toutes les fonctions de la hotte (ventilateur et lumières). Lorsqu'elle est éteinte, la hotte garde en mémoire la dernière vitesse du ventilateur et le dernier réglage d'intensité des lumières.

Fonction d'arrêt automatique

Lorsque le ventilateur est en marche, appuyez sur la touche On/Off pendant trois secondes. Le ventilateur passe à la vitesse 1 et la minuterie de dix minutes de la fonction d'arrêt à retardement commence. Un compte à rebours s'affiche à l'écran pour indiquer le temps qu'il reste avant que le ventilateur et les lumières s'éteignent automatiquement. Si vous appuyez sur la touche On/Off pendant que la fonction d'arrêt à retardement est en marche, la hotte s'éteint et la fonction d'arrêt à retardement s'annule.

Vérification de l'ACT™

La technologie de contrôle du débit d'air (ACT) permet à l'installateur de configurer le nombre maximal de pi³/min de débit d'air de la hotte afin de respecter les codes et réglementations en vigueur.

Pour vérifier le débit d'air maximal en pi³/min :

Lorsque la hotte est éteinte, appuyez sur la touche On/Off pendant trois secondes. Le tableau d'affichage indique si la fonction ACT™ est désactivée et ajustée au nombre de pi³/min maximal ou si elle est activée et ajustée à l'un des niveaux minimaux de 590, 390 ou 290.

2. Sélection de la vitesse

Pour choisir l'une des six vitesses, appuyez sur Fan - pour diminuer la vitesse et sur Fan + pour l'augmenter. Le tableau d'affichage indique la vitesse sélectionnée.

Sélection de la vitesse avec la fonction ACT™ activée

Lorsque la fonction ACT™ est activée, le nombre de vitesses du ventilateur est réduit à un maximum de trois vitesses.

3. Lumières - Allumer/Veilleuse/Éteindre

Allumez les lumières en appuyant une fois sur la touche des lumières, appuyez une deuxième fois pour les mettre en veilleuse, et encore une fois pour les éteindre.

4. Tableau d'affichage

Le tableau d'affichage indique la vitesse sélectionnée ainsi que certaines fonctions, comme le rappel de nettoyage des filtres déflecteurs, l'arrêt à retardement et l'indicateur d'air pur.

Rappel de nettoyage des filtres

Après 30 heures d'utilisation, les mots « Clean grease filters » apparaissent sur le tableau d'affichage, indiquant qu'il est temps de nettoyer les filtres.

Pour réinitialiser la fonction : lorsque la hotte est éteinte, appuyez sur la touche Fan + pendant trois secondes, jusqu'à ce que les mots « Clean grease filters » disparaissent.

Air pur

La fonction d'air pur allume le ventilateur toutes les quatre heures pendant dix minutes pour chasser l'air stagnant de la cuisine.

Pour activer la fonction d'air pur :

Lorsque la hotte est éteinte, appuyez simultanément sur les touches Fan - et Fan + pendant trois secondes. Les mots « Clean Air Function Activated » apparaissent sur le tableau d'affichage et le ventilateur s'allume à la vitesse 1 pendant dix minutes. Après dix minutes, le ventilateur s'éteint et le compte à rebours de quatre heures commence.

Pour désactiver la fonction d'air pur :

Lorsque la hotte est éteinte, appuyez simultanément sur les touches Fan - et Fan + pendant trois secondes. Les mots « Clean Air Function Deactivated » apparaissent sur le tableau d'affichage, indiquant que la fonction a été désactivée.

Lorsque la fonction d'air pur est activée, le ventilateur s'allume à la vitesse 1 pendant dix minutes pour chaque période d'inutilisation de quatre heures. Après dix minutes, le ventilateur s'éteint et le compte à rebours de quatre heures commence.

Si l'utilisateur change la vitesse du ventilateur pendant que la fonction d'air pur est activée, la fonction s'éteint. Si l'utilisateur appuie sur la touche On/Off à tout moment, la minuterie de la fonction d'air pur se réinitialise.

Jumelage de la commande à distance optionnelle

Pour créer un lien unique entre votre hotte et la commande à distance optionnelle, veuillez suivre les directives suivantes.

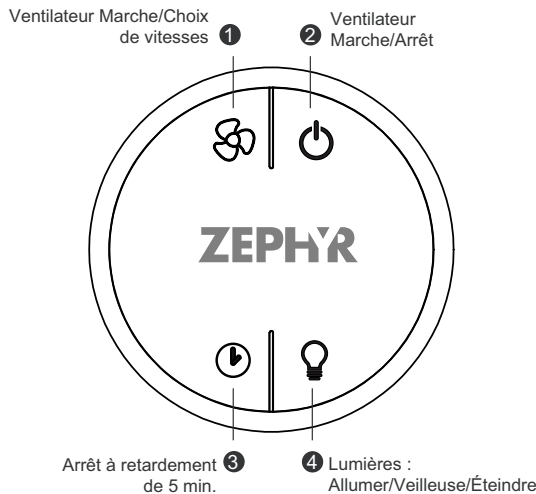
Lorsque la hotte est éteinte, appuyez simultanément sur la touche des lumières pendant trois secondes, jusqu'à ce que les mots « Remote pairing... » apparaissent sur le tableau d'affichage. Appuyez sur l'une ou l'autre des touches de la commande à distance. Les mots « Remote Paired » apparaissent alors à l'écran, indiquant le jumelage réussi de la commande à distance.

Mise en garde de la FCC : Dans le but d'assurer une conformité continue, toute modification apportée sans l'approbation expresse du parti responsable de la conformité pourrait annuler l'autorisation de l'utilisateur de faire fonctionner cet appareil. (Exemple – N'utilisez que des câbles d'interface armés lors du branchement à un ordinateur ou à un périphérique.) Cet appareil respecte l'article 15 des réglementations FCC. Le fonctionnement doit respecter les deux réglementations suivantes : (1) cet appareil ne doit pas causer de brouillage nuisible et (2) cet appareil doit pouvoir recevoir tout type d'interférence, dont des interférences qui pourraient causer un fonctionnement involontaire.

SYNCHRONISATION : Pour créer un lien unique entre l'appareil et la commande à distance, veuillez suivre les instructions suivantes :

1. Éteignez l'appareil et appuyez sur le bouton « Lights » de l'appareil jusqu'à ce que la lettre « F » apparaisse à l'écran de l'afficheur.
2. Appuyez sur le bouton « Lights » de la commande à distance. Les lumières de l'appareil s'allumeront et la synchronisation sera assurée.

FONCTIONS DE LA COMMANDE À DISTANCE :



① Ventilateur Allumer/Choix de vitesses

Appuyez sur pour mettre le ventilateur en marche et choisir l'une des six vitesses de fonctionnement.

② Ventilateur Marche/Arrêt

Appuyez sur pour allumer le ventilateur à la vitesse à laquelle il fonctionnait lorsque vous l'avez éteint. Appuyez de nouveau sur et toutes les fonctions de l'appareil s'éteignent, y compris les lumières.

③ Arrêt à retardement

Appuyez sur pour activer la fonction d'arrêt à retardement du ventilateur et des lumières. Un point clignotera dans la partie inférieure droite de l'afficheur pour vous confirmer que la fonction a été activée. La hotte passera à la vitesse 1 et s'éteindra après 5 minutes.

④ Lumières : Allumer/Veilleuse/Éteindre

Appuyez une fois sur le bouton pour allumer les lumières, une deuxième fois pour les mettre en veilleuse et une troisième fois pour les éteindre.

FONCTIONS DE LA COMMANDE À DISTANCE :

La commande à distance radioélectrique est munie d'un aimant pour un entreposage facile. La commande peut être mise sur n'importe quelle surface magnétique, comme un réfrigérateur ou le support à commande Zephyr (FIG. 1). Le support à commande peut s'installer à une prise électrique standard pour un rechargement facile. Note : Le support à commande ne recharge pas la commande à distance RF.

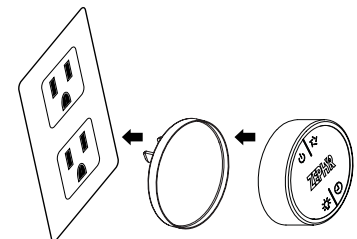


FIG. 1

La distance maximale de l'appareil à laquelle la commande fonctionne est de 15 pieds.

ENTRETIEN DE LA COMMANDE À DISTANCE :

Nettoyez la commande à distance avec des détergents non abrasifs.

Suivez les instructions ci-dessous pour remplacer la pile.

Enlevez le couvercle du compartiment à pile (A) à l'aide d'un tournevis plat pour avoir accès au compartiment de la pile (FIG. 2).

Enlevez la pile et remplacez-la par une pile **A23 12V**. L'extrémité négative devrait faire face au ressort à l'intérieur de la commande à distance.

Remettez le couvercle du compartiment en place et recyclez la vieille pile.

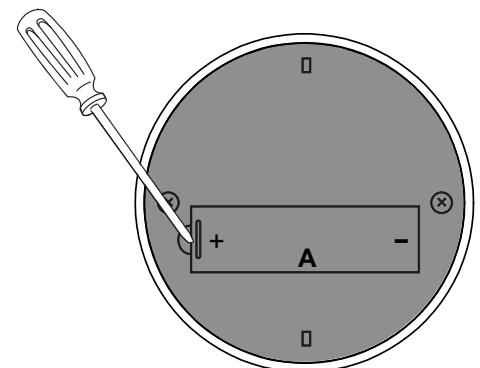


FIG. 2

LA COMMANDE À DISTANCE RF EST UN ACCESSOIRE OPTIONNEL QUI N'EST PAS INCLUS AVEC LA HOTTE ET DOIT ÊTRE ACHETÉ SÉPARÉMENT.

ENTRETIEN DES SURFACES :

Nettoyez régulièrement les surfaces de la hotte avec de l'eau savonneuse chaude et un chiffon de coton propre. N'utilisez pas de détergent abrasif ou corrosif, de laines d'acier ou de tampons à récurer; ils égratigneront et endommageront les surfaces. N'utilisez pas de produits à blanchir au chlore ou d'agents nettoyants « orange ».

Pour les taches plus tenaces, utilisez du produit dégraissant liquide.

Après le nettoyage, vous pouvez polir les surfaces avec des produits de polissage à acier inoxydable non abrasifs pour redonner de l'éclat et du lustre aux surfaces. Frottez toujours doucement, avec un chiffon de coton propre, et dans le sens du grain.

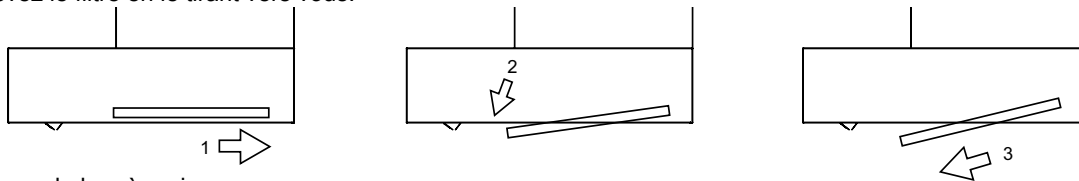
Nettoyage des filtres déflecteurs en inox

Les filtres déflecteurs en inox installés par le fabricant ont pour fonction de filtrer les résidus et la graisse de cuisson. Bien qu'ils ne nécessitent aucun remplacement sur une base régulière, les filtres doivent être nettoyés tous les 30 jours ou plus souvent, selon vos habitudes culinaires.

Vous pouvez laver les filtres au lave-vaisselle avec de l'eau tiède ou les faire tremper dans de l'eau chaude savonneuse. Séchez les filtres et réinstallez-les avant d'utiliser la hotte.

Retrait des filtres déflecteurs :

1. Poussez le filtre vers l'arrière de la hotte à l'aide des poignées.
2. Faites pivoter l'avant du filtre vers le bas.
3. Enlevez le filtre en le tirant vers vous.



Nettoyage du bac à graisse

Le bac à graisse est conçu pour retenir les résidus et les graisses qui peuvent s'écouler des filtres à chicane. Le bac à graisse doit être nettoyé lorsque les filtres déflecteurs sont nettoyés. Nettoyez le bac à graisse en le faisant tremper dans de l'eau chaude savonneuse et en frottant doucement tout résidu avec un chiffon doux. Séchez le bac à graisse et réinstallez-le avant d'utiliser le capot.

REPLACEMENT DES AMPOULES

Assurez-vous que l'alimentation électrique est coupée et que les ampoules ne sont pas chaudes.

Enlevez les ampoules en les dévissant dans le sens contraire des aiguilles d'une montre. Note : les ampoules ne se dévissent pas; après une rotation de 60 degrés, elles s'arrêtent et tombent de la douille.

Lorsqu'il est difficile de retirer les ampoules après un usage prolongé, fixez une ventouse équivalant approximativement au diamètre de l'ampoule ou utilisez des gants en latex et tournez.

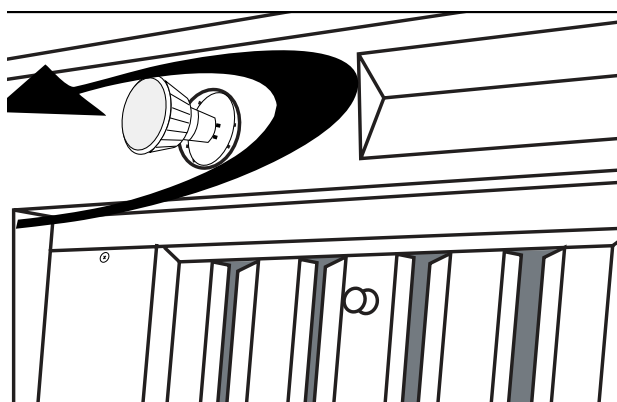


FIG. 3

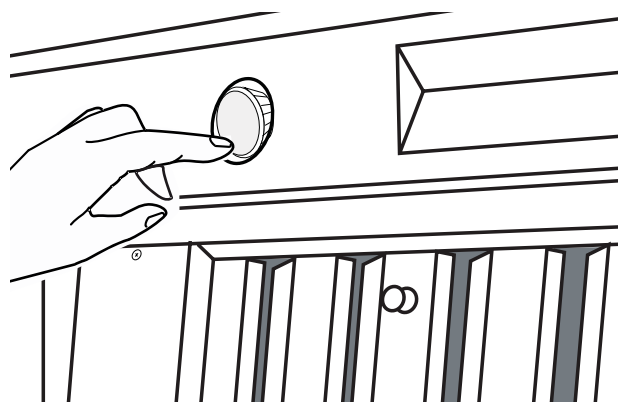


FIG. 4

Dépannage

TROUBLESHOOTING PROCEDURES FOR ROMA PRO

Problème	Cause	Solution
Après l'installation, l'appareil ne fonctionne pas.	1. Le bloc d'alimentation n'est pas allumé	1. Assurez-vous que l'alimentation du disjoncteur et de l'appareil est allumée
	2. La ligne électrique et le raccord de câble ne sont pas correctement branchés	2. Vérifiez que le branchement de l'appareil a été fait correctement
	3. Les fils électriques du tableau de contrôle et de commande sont débranchés	3. Assurez-vous que les fils électriques entre les tableaux de contrôle et de commande sont branchés convenablement
	4. Les câbles du tableau de contrôle sont desserrés.	4. Assurez-vous que les câbles du tableau de contrôle sont branchés adéquatement.
	5. Tableau de contrôle/commande défectueux	5. Remplacez le tableau de contrôle/commande
Les lumières fonctionnent, mais le ventilateur ne tourne pas.	1. Le câble du ventilateur n'est pas branché.	1. Assurez-vous que le câble du ventilateur est branché dans le connecteur Molex.
	2. Le ventilateur est défectueux, possiblement bloqué.	2. Remplacez le ventilateur.
	3. Le système de protection thermique détecte que le ventilateur est trop chaud pour fonctionner et l'éteint.	3. Le ventilateur fonctionnera normalement lorsque le système de protection thermique aura refroidi
	4. Le condensateur est endommagé	4. Remplacez le condensateur
L'appareil vibre	1. Le ventilateur n'est pas bien fixé en place	1. Fixez bien le ventilateur en place.
	2. Damaged blower wheel.	2. Remplacez le ventilateur.
	3. The hood is not secured in place.	3. Vérifiez l'installation de la hotte.
Le ventilateur fonctionne, mais pas les lumières.	1. La prise de l'ampoule est débranchée.	1. Branchez la prise de l'ampoule.
	2. L'ampoule halogène est défectueuse	2. Remplacez l'ampoule halogène
	3. L'ampoule est desserrée	3. Serrez l'ampoule et assurez-vous qu'elle est bien en place
La hotte ne fonctionne pas bien.	1. La hotte est possiblement installée trop haut par rapport à la cuisinière	1. Ajustez la distance entre la surface de la cuisinière et la base de la hotte entre 24" et 34"
	2. Du vent provenant d'une fenêtre ou d'une porte ouverte avoisinante nuit à la ventilation	2. Fermez toutes les portes et fenêtres pour éliminer les courants d'air
	3. L'ouverture du conduit ou le conduit lui-même est bloqué	3. Enlevez tout ce qui bloque l'ouverture ou le conduit d'aération
	4. L'ouverture du conduit est contre le vent	4. Ajustez l'orientation de l'ouverture du conduit
	5. Mauvaises dimensions de conduit d'aération	5. Remplacez le conduit par un conduit adéquat.
Le filtre métallique vibre.	1. Le filtre métallique est desserré	1. Ajustez ou remplacez le filtre métallique
	2. Le ressort du filtre est brisé.	2. Remplacez le ressort.
Le ventilateur s'allume seul	1. La fonction de purification d'air est active et le ventilateur démarre toutes les quatre heures.	1. Désactivez la fonction de purification d'air en suivant les instructions

Technologie de contrôle du débit d'air (ACT)

Certains codes et règlements limitent la quantité maximale de pi^3/min qu'une hotte peut extraire. La ACT permet de contrôler la quantité maximale de pi^3/min qu'évacuent un éventail de hottes Zephyr, éliminant la nécessité d'acheter un dispositif d'air d'appoint dispendieux. La ACT permet à l'installateur d'ajuster facilement la vitesse maximale du ventilateur à l'un des niveaux de pi^3/min les plus fréquemment utilisés : 590 pi^3/min ou 390 pi^3/min ou 290 pi^3/min . Il est possible que l'utilisation de la ACT ne soit pas requise pour votre installation. Veuillez vérifier les codes en vigueur dans votre région pour connaître les restrictions en matière de pieds cubes par minute.

Par défaut, le nombre maximal de pi^3/min du ventilateur est de 750.

⚠ ATTENTION:

Avant de suivre les instructions apparaissant ci-dessous, veuillez débrancher la hotte de sa source d'alimentation. Le non-respect de cette consigne peut provoquer une lésion corporelle ou endommager l'appareil.

Pour activer ACT

1. Avant de procéder à l'installation de la hotte, accédez à la carte de circuits imprimés en suivant les étapes de la FIG. C.
2. Modifiez la position des cavaliers de plastique comme illustre sur la FIG. D pour ajuster le débit d'air au nombre maximal de pi^3/min désiré.
3. Reinstallez la carte de circuits imprimés au boîtier de la carte de circuits imprimés et continuez l'installation de la hotte.
4. Prenez l'étiquette d'aluminium appropriée indiquant le nombre de pi^3/min inclus avec les documents de la hotte et placez-le à l'intérieur du boîtier de l'appareil, sous l'étiquette du schéma de câblage ou à un autre endroit visible.

NOTE: Après avoir modifié la position du cavalier et branché l'appareil, le débit de la hotte ne peut être modifié à nouveau.

Pour vérifier si votre installateur a activé la ACT

Lorsque la hotte est éteinte, appuyez sur la touche On/Off pendant trois secondes. Le tableau d'affichage indique si la fonction ACT™ est désactivée et ajustée au nombre de pi^3/min maximal ou si elle est activée et ajustée à l'un des niveaux minimaux de 590, 390 ou 290.

Une étiquette en aluminium devrait également se trouver à l'intérieur du pavillon de la hotte, près du schéma de câblage indiquant le nombre de pi^3/min que peut évacuer le ventilateur.

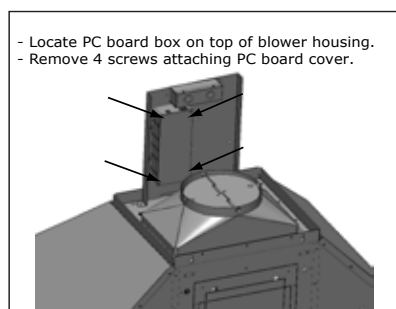


FIG. C

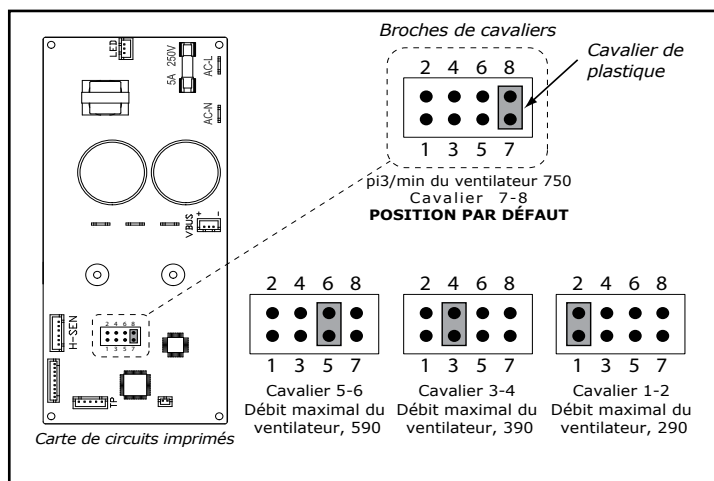
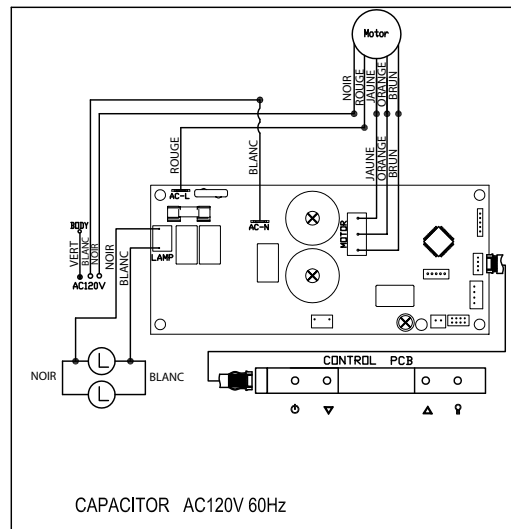


FIG. D

Schéma de câblage

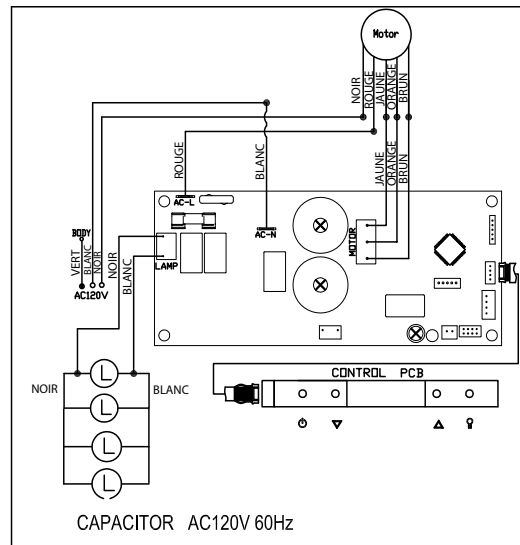
Modèles: ZRP-E36AS
 Voltage: 120V 60HZ 4A
 Consommation D'énergie
 Total: 286W
 Ampoule: 13W
 Ventilateur: 273W

Thermiquement Protégé



Modèles: ZRP-E48AS
 Voltage: 120V 60HZ 4.2A
 Consommation D'énergie
 Total: 299W
 Ampoule: 26W
 Ventilateur: 273W

Thermiquement Protégé



ACT 590 pi³/min — Max. du ventilateur : 175W à 2,6 A

ACT 390 pi³/min — Max. du ventilateur : 94W à 1,4 A

ACT 290 pi³/min — Max. du ventilateur : 63W à 0,9 A

DESCRIPTION

PART #

Pièces de remplacement

Ampoule MR16 (GU10) 6W (unité)
Filtre déflecteur (unité)

Z0B0040
50210033

Optional Accessories

Ventilateur interne double
Recouvrement de conduit
Clapet universel d'air compensation ventilateur double
Clapet universel d'air compensation ventilateur simple

PBD-1300A
Z1C-00RP
MUA008A
MUA010A

Pour commander des pièces, visitez-nous en ligne au www.zephyronline.com ou communiquez avec nous par téléphone au 1-888-880-8368

ZEPHYR
Garantie limitée

AGRAFEZ VOTRE REÇU ICI

Une preuve de la date d'achat originale
est nécessaire pour obtenir du service
lorsque le produit est sous garantie

**POUR OBTENIR DU SERVICE SOUS GARANTIE OU POUR TOUTE QUESTION LIÉE À L'ENTRETIEN,
veuillez communiquer avec nous au 1-888-880-8368**

Zephyr Ventilation, LLC (désigné aux présentes sous le nom de « nous ») garantit au premier acheteur (désigné aux présentes sous le nom de « vous » ou « votre ») de produits Zephyr (les « Produits ») que lesdits produits sont exempts de défauts de fabrication ou de main-d'œuvre selon les conditions suivantes :

Garantie de trois ans sur les pièces : Garantie de trois ans à partir de la date d'achat originale du Produit. Nous fournirons sans frais les Produits ou les pièces (y compris les ampoules LED, le cas échéant) de remplacement qui comportaient des défauts de fabrication. Nous pourrions choisir, à notre seule discrétion, de réparer ou de remplacer des pièces avant de prendre la décision de remplacer le Produit.

Garantie limitée d'un an sur la main-d'œuvre : Garantie d'un an à partir de la date d'achat originale du Produit. Nous couvrirons sans frais les frais de main-d'œuvre afférents à la réparation du Produit ou des pièces de remplacement qui comportaient des défauts de fabrication. Un an après la date d'achat originale, vous serez responsable de tous les frais de main-d'œuvre associés à la présente garantie.

Exclusions de la garantie : Cette garantie ne couvre que la réparation ou le remplacement, à notre gré, de pièces ou de Produits défectueux et ne couvre aucun autre coût afférent aux Produits, dont, sans s'y limiter, les frais liés : (a) à l'entretien normal des Produits et au remplacement des pièces consommables, comme les fluorescent, incandescence ou halogéneampoules, les filtres métalliques, les filtres à charbon et les fusibles; (b) à tout Produit ou pièce ayant été endommagé durant le transport ou étant le résultat d'un mauvais usage, d'une négligence, d'un accident, d'une installation incorrecte ou ne respectant pas les notices d'installation recommandées, d'un entretien ou d'une réparation inapproprié (dont ne nous sommes pas responsables); (c) à une utilisation commerciale ou ne correspondant pas à l'utilisation pour laquelle les Produits sont conçus; (d) à l'usure naturelle du fini, à l'usure due à un entretien inadéquat, à l'utilisation de produits nettoyants corrosifs ou abrasifs, de tampons nettoyeurs et de produits de nettoyage pour le four; (e) aux éclats, entailles ou fissures résultant d'un abus ou d'une mauvaise utilisation du Produit; (f) aux déplacements d'un technicien de service à votre domicile pour vous montrer comment utiliser les Produits; (g) aux dommages causés par un accident, un incendie, une inondation, un cas fortuit; ou (h) Les installations personnalisées ou modifications qui ont un impact maintenabilité du Produit. Si vous vous trouvez à l'extérieur du territoire que nous desservons, des frais supplémentaires pourraient s'appliquer pour la livraison des produits à nos points de service désignés pour une réparation sous garantie ou vous pourriez avoir à déboursier les frais de déplacement du technicien à votre domicile pour que le Produit soit réparé, enlevé ou réinstallé. Un an après la date d'achat originale du Produit, vous êtes également responsable de tous les frais de main-d'œuvre associés à la présente garantie.

Restrictions de la garantie. NOTRE OBLIGATION DE RÉPARER OU DE REMPLACER, À NOTRE GRÉ, LE PRODUIT CONSTITUE VOTRE SEUL ET UNIQUE RECOURS SOUS LA PRÉSENTE GARANTIE. NOUS NE NOUS PORTONS PAS RESPONSABLES POUR TOUT DOMMAGE INDIRECT, ACCESSOIRE OU PARTICULIER RÉSULTANT OU AYANT UN LIEN AVEC L'UTILISATION OU LE RENDEMENT DES PRODUITS. LES GARANTIES EXPRESSES DE LA SECTION PRÉCÉDENTE SONT EXCLUSIVES ET TIENNENT LIEU DE TOUTE AUTRE GARANTIE EXPRESSE. PAR LES PRÉSENTES, NOUS REJETONS ET EXCLUONS TOUTE AUTRE GARANTIE EXPRESSE POUR LES PRODUITS ET TOUTES LES GARANTIES TACITES PRÉVUES PAR LA LOI, DONT CELLES RELATIVES À LA QUALITÉ MARCHANDE OU À L'ADÉQUATION DU PRODUIT POUR UNE UTILISATION PARTICULIÈRE. Certains États ou provinces n'autorisent pas les restrictions sur la durée d'une garantie implicite ou l'exclusion ou la restriction des dommages indirects ou accessoires; par conséquent, les exclusions et restrictions mentionnées ci-dessus pourraient ne pas s'appliquer à votre cas. Dans la mesure où une loi applicable interdit l'exclusion de garanties implicites, la durée de toute garantie implicite applicable se limite à la période de deux ans décrite ci-dessus. L'unique objectif de toute description orale ou écrite est de présenter les Produits et celle-ci ne devrait pas être interprétée comme une garantie expresse. Avant d'utiliser ou de permettre l'utilisation des Produits, vous devez déterminer si les Produits conviennent aux utilisations prévues et vous devrez assumer tout risque et toute responsabilité relatifs à ces utilisations. Nous nous réservons le droit d'utiliser des pièces reconstruites ou remises à neuf pour remplacer l'une des fonctionnalités dans le cadre de la présente garantie ou de l'une des parties de la présente garantie. L'acheteur original ne peut transférer la présente garantie et celle-ci n'est valide qu'aux États-Unis et au Canada.

Pour obtenir du service sous la garantie : Pour avoir droit à du service sous garantie, vous devez : (a) nous avertir en utilisant l'adresse ou le numéro de téléphone inscrit ci-dessous dans les soixante jours suivant la détection du défaut; (b) donner le numéro du modèle, le numéro d'identification de la pièce ainsi que le numéro de série; et (c) décrire la nature de tout défaut de la pièce ou du Produit. Au moment de faire la demande de service sous garantie, vous devrez présenter votre preuve d'achat et la preuve de la date d'achat originale. Si nous déterminons que les exclusions de la garantie énumérées ci-dessus s'appliquent ou si vous vous trouvez dans l'incapacité de nous fournir la documentation nécessaire pour obtenir du service, vous serez responsable de tous les frais d'expédition, de déplacement, de main-d'œuvre ou de tout autre coût afférent au service.

Veuillez consulter notre site Web au www.zephyronline.com pour savoir si des révisions ont été apportées à la garantie.

Zephyr Ventilation Service Department, 2277 Harbor Bay Parkway, Alameda, CA 94502 1-888-880-8368

AUG14.0401

ENREGISTRMENT DU PRODUIT

Nous vous félicitons d'avoir acheté une hotte Zephyr. Veuillez prendre un moment pour enregistrer votre nouvelle hotte au www.zephyronline.com/registration

C'EST IMPORTANT

Cet enregistrement rapide est utile à bien des égards.

- Il assure la couverture de votre garantie si vous avez besoin de service après-vente.
- À des fins d'assurance, il permet de confirmer que vous êtes le propriétaire.
- Il vous permet de recevoir des avis concernant des modifications ou des rappels de produits.



Zephyr Ventilation | 2277 Harbor Bay Pkwy. | Alameda, CA 94502 | 1.888.880.8368