

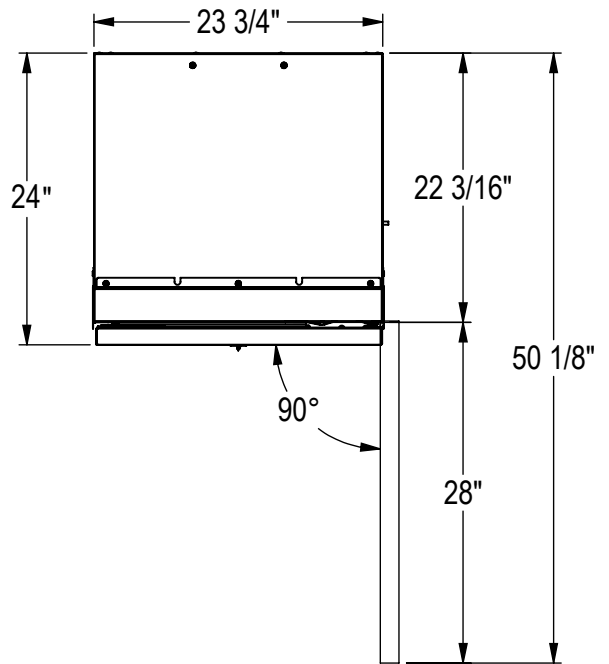


QUICK FEATURES

- Ready to accept custom or stainless steel panel
- Industry exclusive 4 independently-controlled temperature zone model for precision preservation of fresh foods
- Dual chamber air filtration throughout
- Touch-screen control streamlines the user experience. Enjoy access to smart settings for a variety of fresh foods, or customize to your preference in 1° increments. Access settings for lighting, Sabbath mode and more with a single touch.
- Brightly illuminated by white roll-on theatre lighting
- Frameless spill-proof shelving
- Tiered deli drawer provides storage for a variety of foods
- Tip-out produce bin provides ample storage for fresh produce
- Slide-in stainless steel pans provide space for marinating, storing pre-made appetizers or storing sous vide packets

PRODUCT SPECIFICATIONS

Appliance Dimensions	Exterior Width	23-3/4"
	Exterior Depth	24"*
	Exterior Height	83-11/16"
Required Cutout Dimensions	Cutout Width	24"
	Cutout Depth	25"
	Cutout Height	84"
Depth with Door Open	50"	
Product Weight	486 lbs	
Capacity	12.6 cu. ft.	
Electrical Requirements	Electrical Supply	115V, 60 Hz., 1 Phase, 2.3 amps
	Electrical Service	15 amp dedicated circuit
	Power Cord/ Receptacle	NEMA 5-15 plug, 5' /3 prong grounding-type



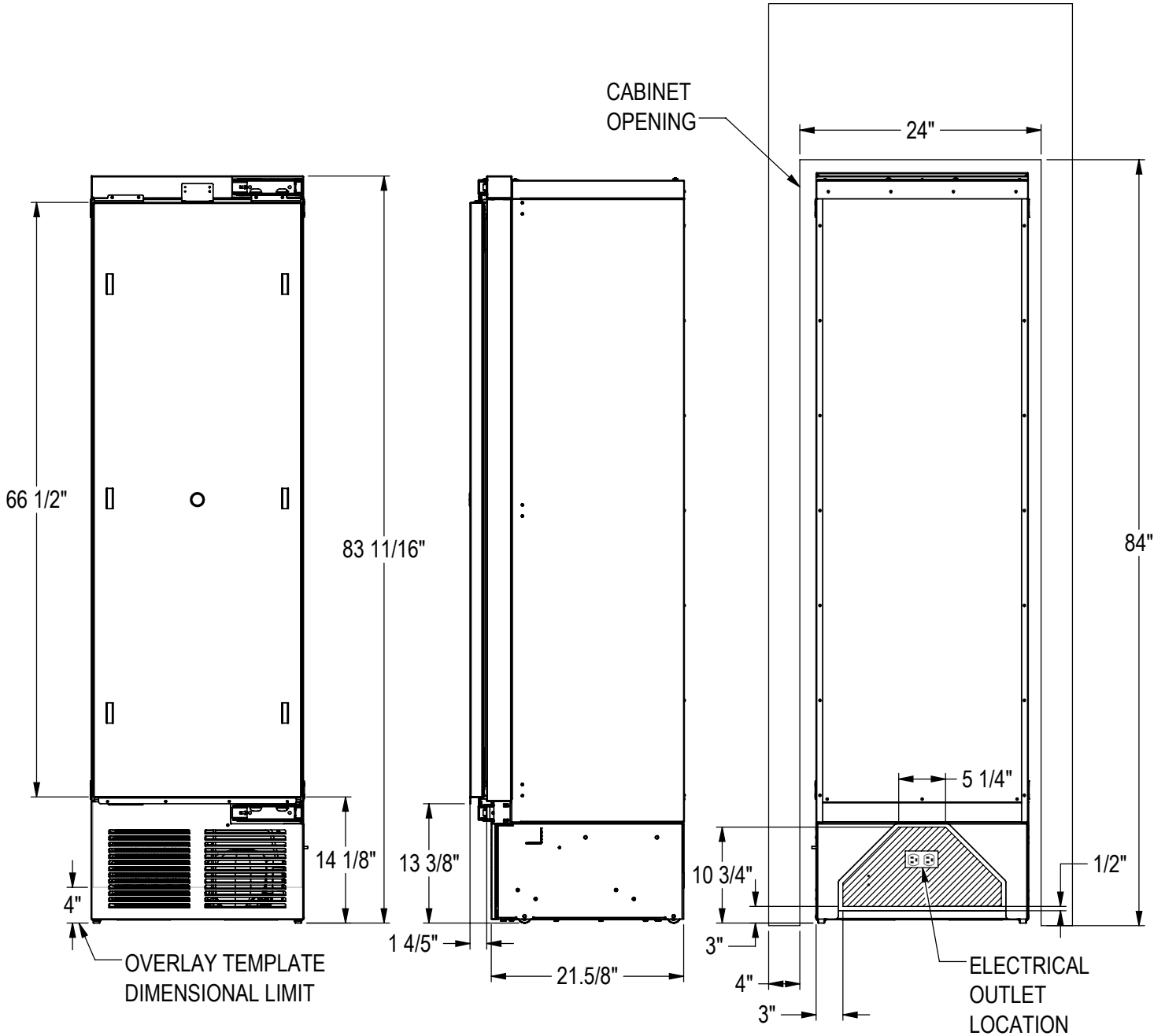
*Less panel. With typical 3/4" overlay panel installed, depth becomes 24-3/4"

TEMPERATURE RANGES

Main Compartment	Factory Set to 38° (Range 34°-42°F)
Deli Drawer	Factory Set to 33° (Range 32°-37°F)
Meat/Fish Drawer	Factory Set to 35° (Range 32°-37°F)
Tip-Out Produce Bin	Factory Set to 35° (Range 32°-37°F)

AVAILABLE MODELS

CR24R-1-2L	Refrigerator, solid overlay ready, hinged left
CR24R-1-2R	Refrigerator, solid overlay ready, hinged right



ACCESSORIES

- Dual installation kits
- Stainless steel exterior side finishing panels
- Stainless steel door panels with Perlick Pro Handle

Perlick accessories are available for purchase through an authorized Perlick dealer. For a full list of accessories and to find a dealer near you, visit perlick.com/residential.