

MAESTRALE 18 WALL RANGE HOOD



THE #1 CHOICE IN PROFESSIONAL WALL HOODS. The updated Maestrale by Faber is a 18" tall, 25" deep under cabinet wall hood with a 600 or 1200 CFM PRO all metal impellers. With baffle style grease filters, top or direct rear venting, welded, wrapped and polished corners, this unbranded hood can be easily mixed and matched with any cooking brand of your choice.



AVAILABLE MODELS

Model #	Size / Color	Motor Class (CFM)	Sound Levels (sones)
MAES3018SS600-B	30 Stainless	600 CFM	2.8 - 7.5 sones
MAES3618SS600-B	36 Stainless	600 CFM	2.8 - 7.5 sones
MAES3618SS1200-B	36 Stainless	1200 CFM	5.0 - 12.0 sones
MAES4218SS1200-B	42 Stainless	1200 CFM	5.0 - 12.0 sones
MAES4818SS1200-B	48 Stainless	1200 CFM	5.0 - 12.0 sones

KEY FEATURES



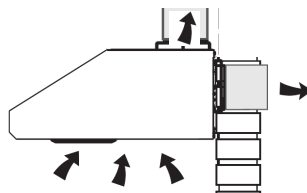
Pro Motor

The motor in this hood is surrounded in metal with all metal impellers for top performance



Adjustable Mounting Hardware

Wall brackets are adjustable once the hood is hung to insure a perfect level installation



Direct Rear Venting

Vent the ducting up or rotate the blower to the back to avoid extra duct work when on an outside wall



Baffle Grease Filters

Dishwasher safe SS metal filters capture grease and allow for easy clean up in the dishwasher

MAESTRALE 18 WALL RANGE HOOD



SPECIFICATIONS

depth / height	25" d / 18" h
convertible to ductless / recirculating	yes - kit sold separately
controls	3 speed slider w/ led indicator
lighting	2 (30") or 3 (36", 42") or 4 (48") x 5 (w) led
ducting top / rear (back)	6" round / 2 x 6" round on 1200 cfm models (top or back)
grease filters	dishwasher safe stainless steel baffle
pro motor with metal impellers	yes
AC power	350 watts / 2.9 amps (600 cfm models)

PERFORMANCE (600 CFM model)

SPEED	1	2	3
CFM	180	380	560
Sones	2.8	4.5	7.5

ACCESSORIES

MUDAMPER6 / MUDAMPER8 / MUDAMPER10 -

Universal Make-Up Air Damper

Satisfies make-up air requirements, this kit uses an air switch to activate the make-up air damper to open and bring fresh air into the home when the hood fan is on. It then closes tightly when the hood is off. The CFM level is not reduced with this accessory.

DUCTGRT30 / DUCTGRT36 -

Ductless Vent Grate Kit

A 4" tall stainless steel vent grate which is installed between the hood & the cabinet to recirculate the air back into the kitchen when ducting outside isn't possible. Includes the vent grate, hardware and charcoal filters.

FILTER1 -

Replacement Charcoal Filter Kit

High quality charcoal filter for use when recirculating the air back into the kitchen. Filters out odor and should be replaced every 6 months

TELEMAES

Telescopic Chimney Cover

24" wide, extends to accommodate 8 - 9 foot ceilings

FULL30 / FULL36 / FULL42 / FULL48

Full Width Duct Cover

12" high, extends full width of the hood

CFMRED

CFM Reducer Kit

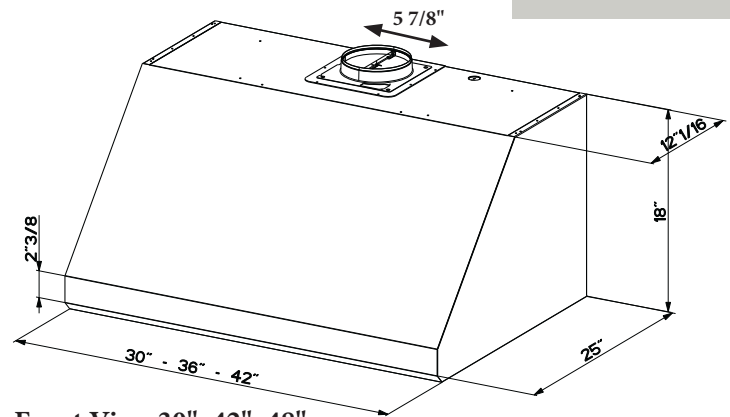
For use in make up air environments where an under 300 cfm hood is required. This kit reduces the ducting to 5" round and reduces the cfm to under 300.

TRNSPRO

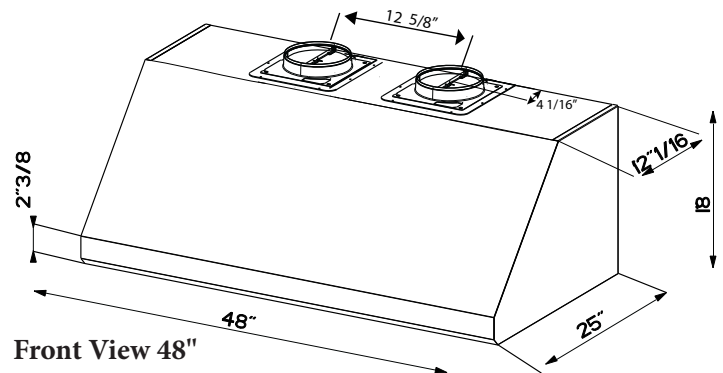
Duct Transition Kit

For 48" model only, transitions two 6" openings to one 10" round opening

DIMENSIONS



Front View 30", 42", 48"



Front View 48"



WARNING! Product specifications are subject to change without notification. Consult the installation instructions before you begin installing this range hood



Imagined in Italy