

## FFEW3026T D/S/W/B

SINGLE WALL OVEN  
30" ELECTRIC



### AVAILABLE COLORS



Black  
Stainless



Stainless



White



Black

### PRODUCT DIMENSIONS

Height	29"
Width	30"
Depth	24-3/4"

### MORE EASY-TO-USE FEATURES

Attractive Stainless Steel Exterior<sup>1</sup>

#### Self-Cleaning

Your oven cleans itself — so you don't have to. Self clean options available in 2-, 3- and 4-hour cycles.

### CERTIFICATIONS

#### A.D.A. - Compliant

When properly installed, this model is A.D.A.-qualified based on the United States Access Board's A.D.A./A.B.A. Accessibility Guidelines and the Department of Justice's 2010 A.D.A. Standards for Accessible Design.



Star-K® Certified (*Sabbath Mode*)

<sup>1</sup>Select models only.

## SIGNATURE FEATURES

### Built with American Pride

Designed, engineered and assembled in the U.S.A.

### Even Baking Technology

Our Even Baking Technology ensures even baking every time.

### Oven Rack Handles

Oven racks are designed with space for you to easily pull out the racks, even when wearing an oven mitt.

### Ready-Select® Controls

Easily select options or control cooking temperature with our easy-to-use controls.

# FFEW3026T D/S/W/B SINGLE WALL OVEN

30" ELECTRIC

FRIGIDAIRE

## FEATURES

Oven Control/Timing System	Ready-Select*
Window	Large
Exterior Door Finish	Stainless Steel (D/S), Color-Coordinated (W/B)
Handle Design	Stainless Steel (D/S), Color-Coordinated (W/B)
Oven Cleaning System	Self-Clean

## OVEN CONTROLS

Bake/Broil	Yes/Variable (400 - 550°F)
Convection Conversion	
Convection Bake/Broil/Roast	
Quick Bake Convection	
Quick Preheat	
My Favorite	
Slow Cook	
Effortless™ Temperature Probe	
Keep Warm	Yes
Add-a-Minute	
Delay Start	Yes
Self-Clean/Clean Options	Yes/2, 3, 4 Hours
Steam Clean	
Delay Clean	Yes
Kitchen Timer	Yes
Timed Cook Option	Yes
Control Lock	Yes
Auto Oven Shut-Off	
Oven Lock-Out	Yes

## OVEN FEATURES

Capacity (Cu. Ft.)	4.6
Convection System	
Oven Light	1 Halogen
Hidden Bake Element	Yes
Rack Configuration	2 Handle Racks
Baking System	Even Baking Technology
Broiling System	Vari-Broil™
Bake/Broil Element (Watts)	2,000/3,400

## OPTIONAL ACCESSORIES

3"-High Bottom Trim - Black Stainless (D)/Stainless Steel (S)/White (W)/Black (B)	(D) PN# A10788801 (S) PN# 318903519 (W) PN# 318903516 (B) PN# 318903517
10'-Long Armored Power Cable	PN# 903056-9010

## CERTIFICATIONS

A.D.A. Compliant <sup>1</sup>	Yes
Sabbath Mode (Star-K® Certified)	Yes

## SPECIFICATIONS

Oven Interior (H x W x D)	17-1/2" x 24-1/8" x 18-3/4"
Power Supply Connection Location	Left Bottom Rear
Voltage Rating	240V / 208V / 60Hz
Connected Load (kW Rating) @ 240/208 Volts <sup>2</sup>	3.7/2.8
Amps @ 240/208 Volts	15.4/13.5
Minimum Circuit Required (Amps)	20
Approved for Under-Counter Installation	Yes
Shipping Weight (Approx.)	140 Lbs.

<sup>1</sup>When properly installed, this model is A.D.A.-qualified based on the United States Access Board's A.D.A./A.B.A. Accessibility Guidelines and the Department of Justice's 2010 A.D.A. Standards for Accessible Design.

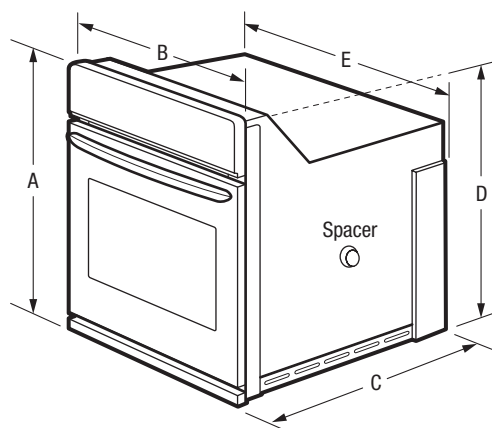
<sup>2</sup>Single phase 3- or 4-wire cable, 120/240 or 120/208 Volt, 60 Hertz AC only electrical supply with ground required on separate circuit fused on both sides of line.

## PRODUCT DIMENSIONS

A - Height	29"
B - Width	30"
C - Depth	24-3/4"
D - Height (Wrapper)	27-1/4"
E - Width (Wrapper)	28-1/4"
Depth with Door Open 90°	44-3/4"

## CUTOUT DIMENSIONS

Height (Min.)	27-1/4"
Height (Max.)	28-1/4"
Width (Min.)	28-1/2"
Width (Max.)	29"
Depth (Min.)	24"

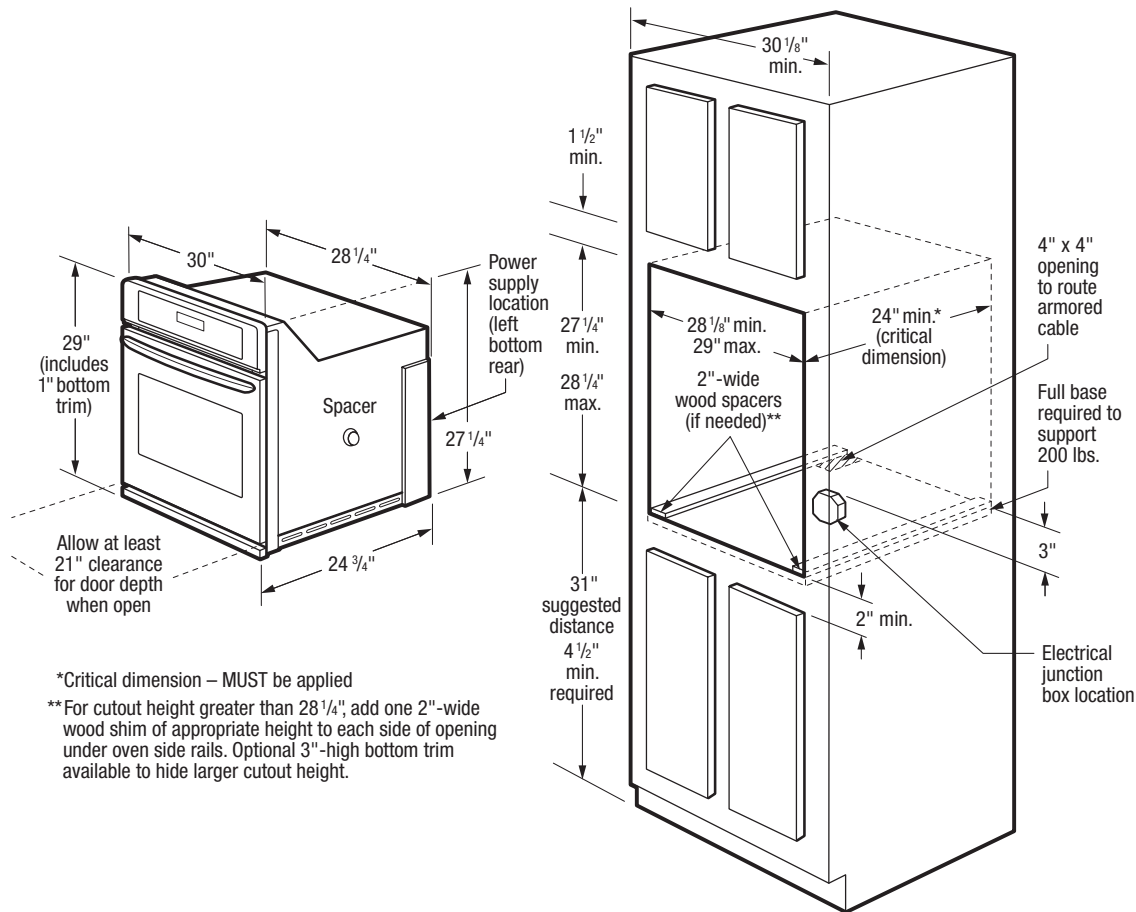


**Note:** For planning purposes only. Always consult local and national electric, gas and plumbing codes. Refer to Product Installation Guide for detailed installation instructions on the web at [frigidaire.com](http://frigidaire.com) / [frigidaire.ca](http://frigidaire.ca).  
Specifications subject to change. Accessories information available on the web at [frigidaire.com](http://frigidaire.com) / [frigidaire.ca](http://frigidaire.ca)

FRIGIDAIRE

USA • 10200 David Taylor Drive • Charlotte, NC 28262 • 1-800-FRIGIDAIRE • [frigidaire.com](http://frigidaire.com)  
CANADA • 5855 Terry Fox Way • Mississauga, ON L5V 3E4 • 1-800-265-8352 • [frigidaire.ca](http://frigidaire.ca)

FFEW3026T 07/17  
© 2017 Electrolux Home Products, Inc.



## INSTALLATION SPECIFICATIONS

- Product Shipping Weight (approx.) – 140 Lbs.
- Single phase 3- or 4-wire cable, 120/240 or 120/208 Volt, 60 Hertz AC only electrical supply with ground required on separate circuit fused on both sides of line.
- Connected Load (kW Rating) @ 240/208 Volts = 3.7/2.8kW
- Amps @ 240/208 Volts = 15.4/13.5 Amps
- Recommended Circuit Breaker – 20 Amps
- Always consult local and national electric codes.
- Minimum 21" clearance for oven door depth when open.
- Suggested distance from floor is 31". Minimum required distance is 4-1/2".
- Minimum 24" deep cutout dimension is critical for proper installation, to ensure that oven's faceplate will fit flush against cabinet front.
- For cutout height greater than 28-1/4", add one 2"-wide wood shim of appropriate height to each side of opening under oven side rails. Optional 3"-high bottom trim available to hide larger cutout height.
- Full oven base of solid plywood or similar material required, capable of supporting 200 Lbs.
- Base must be level and cabinet front must be square.

- Single Wall Oven is NOT approved to be used in stackable or side-by-side installation.
- Single Wall Oven is approved to be used alone in under-counter installation or beneath any approved Frigidaire® gas or electric cooktop. (Refer to Gas or Electric Cooktop Installation Over 30"/27" Electric Single Wall Oven Specifications pages on web.)
- Single Wall Oven is approved to be used in combination with any Frigidaire® Warmer Drawer. (Refer to model-specific Warmer Drawer product page for Combination Installation Specifications.)
- Single Wall Oven is approved to be used in combination with any Frigidaire® Built-In Microwave Oven.

### OPTIONAL ACCESSORIES

- 3"-High Black Stainless Steel Bottom Trim – (PN# A10788801).
- 3"-High Stainless Steel Bottom Trim – (PN# 318903519).
- 3"-High White Bottom Trim – (PN# 318903516).
- 3"-High Black Bottom Trim – (PN# 318903517).
- 10'-Long Armored Power Cable – (PN# 903056-9010).



FRIGIDAIRE

USA • 10200 David Taylor Drive • Charlotte, NC 28262 • 1-800-FRIGIDAIRE • frigidaire.com  
CANADA • 5855 Terry Fox Way • Mississauga, ON L5V 3E4 • 1-800-265-8352 • frigidaire.ca

**Note:** For planning purposes only. Always consult local and national electric, gas and plumbing codes. Refer to Product Installation Guide for detailed installation instructions on the web at [frigidaire.com](http://frigidaire.com) / [frigidaire.ca](http://frigidaire.ca). Specifications subject to change. Accessories information available on the web at [frigidaire.com](http://frigidaire.com) / [frigidaire.ca](http://frigidaire.ca)

FFEW3026T 07/17  
© 2017 Electrolux Home Products, Inc.