

LIEBHERR

Installation Instructions

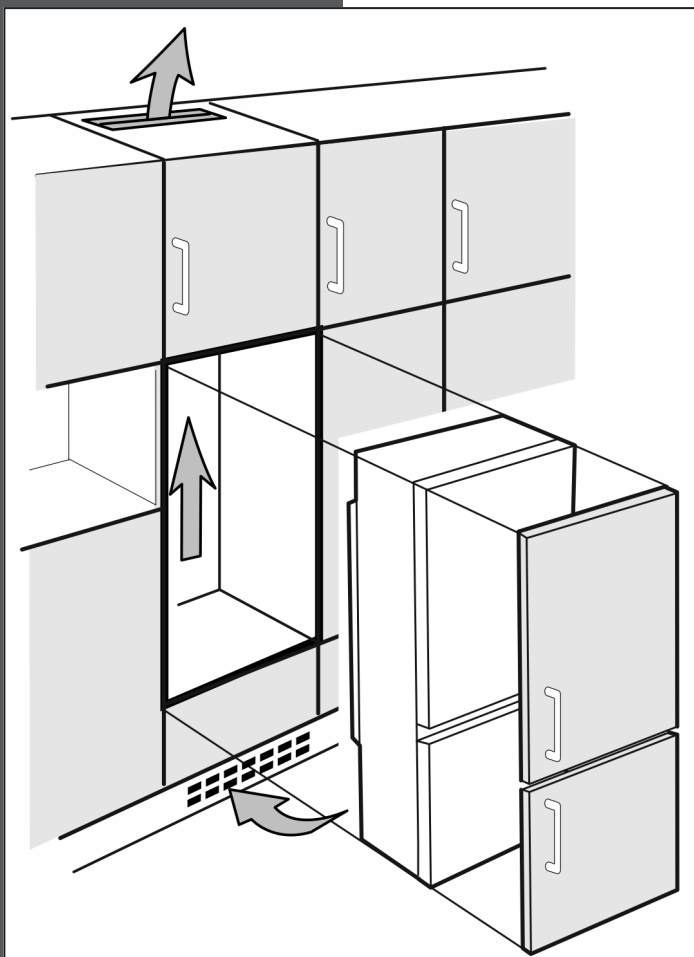
Combined fridge-freezer for
integrated use, door-on-door

Instrucciones de montaje

Combinado frigorífico-congelador,
integrable, puerta fija

Instructions de montage

Combiné réfrigérateur-
congélateur, intégrable, porte fixe



HC 10..

070415 7085586 - 01

General safety information

Contents

1	General safety information.....	2
2	Transporting the appliance.....	2
3	Setting up the device.....	2
4	Appliance dimensions.....	4
5	Recess dimensions.....	4
6	Cabinet door.....	5
7	Air circulation in the kitchen cabinet.....	7
8	Reversing the door.....	8
9	Water connection.....	12
10	Installing the appliance in the recess.....	13
11	Disposal of packaging.....	22
12	Connecting the appliance.....	23

The manufacturer is constantly working to improve all models. Therefore please understand that we reserve the right to make design, equipment and technical modifications.

To get to know all the benefits of your new appliance, please read the information contained in these instructions carefully.




The instructions apply to several models, so there may be differences. Sections which only apply to certain appliances are indicated with an asterisk (*).

Instructions for action are marked with a ►, the results of action are marked with a ▷.

1 General safety information

- Read and follow these instructions. They contain safety advice which is important for safe and problem-free installation and operation. Always read and follow the safety advice.
- It is important that the guidelines and instructions in this manual are followed so that the appliance is correctly installed and operates properly. Read and understand all information in this manual before the appliance is installed.
- Risk of asphyxiation and crushing:
Remove doors and shelves from old appliances to prevent them from becoming a potential hazard to children at play.
- Only install, connect and dispose of the appliance in accordance with the instructions. Pay particular attention to “niche dimensions” (see 5) and “ventilation and fume extraction in kitchen units” (see 7).
- The socket must be easily accessible so that the appliance can be disconnected from the

mains quickly in an emergency. It must not be behind the back of the appliance.

	DANGER	indicates a hazardous situation, which if not avoided, will result in death or serious injury.
	WARNING	indicates a hazardous situation, which if not avoided, could result in death or serious injury.
	CAUTION	indicates a hazardous situation, which if not avoided, will result in minor or moderate injury.
	NOTICE	indicates a hazardous situation, which if not avoided, could result in damage to property.
	Note	indicates useful advice and tips.

2 Transporting the appliance



CAUTION

Risk of injury or damage if incorrectly transported.

- Transport the appliance in its packaging.
- Transport the appliance upright.
- Do not move the appliance on your own.

3 Setting up the device



WARNING

Risk of fire due to short circuit.

If the power cable or plug of the appliance or another appliance and the back of the appliance touch each other the power cable or plug will be damaged by the vibrations of the appliance which could lead to a short circuit.

- Install the appliance so that it does not touch any plugs or power cables.
- Do not connect the appliance or other appliances to the sockets on the back of the appliance.



WARNING

Risk of fire due to moisture!

If live parts or the power cord get wet, this can cause a short circuit.

- The appliance is designed for use in enclosed spaces. Do not operate the appliance in open space or in damp areas or where there is spray.
- Only operate the appliance after it has been installed.

Setting up the device



WARNING

Risk of fire due to refrigerant.

The refrigerant contained within the appliance, R 600a, is environmentally friendly, but flammable. Leaking refrigerant can ignite.

- ▶ Do not damage the pipes of the refrigerant circuit.



WARNING

Danger of fire and damage!

- ▶ Do not place devices that give off heat, e.g. microwaves, toasters, etc. on the appliance.

NOTICE

Risk of damage caused by condensation

Installing the appliance next to any other refrigerator or freezer can cause condensation or damage to the Liebherr appliance.

- ▶ Do not install this appliance next to any other refrigerator or freezer except another Liebherr model. Liebherr models are designed to allow side-by-side installation. They are equipped with a heating system to eliminate condensation when refrigerators or freezers are installed side-by-side.

NOTICE

Risk of damage for the finished floor surface!

- ▶ Protect the finished floor surface before you uncrate the unit.



WARNING

Danger of damage from overheating. May restrict operation.

- ▶ Keep ventilation openings, in the appliance enclosure or in the built-in structure, clear of obstruction.



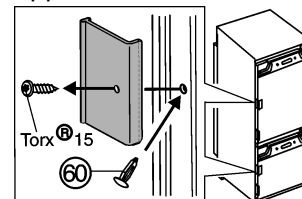
WARNING

Danger of tilting.

- ▶ To avoid a hazard due to instability of the appliance, it must be fixed in accordance with the instructions.

- If possible, have a professional install the appliance in your kitchen cabinet unit.
- If the appliance is damaged check with the supplier immediately before connecting it.
- The floor of the installation site must be horizontal and level.
- Do not install the appliance in direct sunlight or next to an oven, heater or similar heat source.
- Do not install the appliance on your own. It is better to do this with two or more people.

- The more R 600a refrigerant is in the appliance, the larger the room must be where the device is located. In the case of a leak, a flammable gas-air mixture may be created in a room that is too small. In accordance with standard EN 378, for every 0.39 oz (11 g) R 600a coolant, the installation space must be at least 35.5 ft³ (1 m³). The amount of refrigerant in your appliance is indicated on the identification plate inside the appliance.
- If the appliance is installed in a very damp environment condensate water may form on the outside of the appliance. Always ensure good ventilation.
- The load-bearing capacity of the floor must be sufficient for the weight of the appliance plus about 1200 pounds (544 kg) of food weight.
- The electrical socket must be assessed precisely to ensure the correct position and fuse.
- Do not restrict ventilation. Sufficient ventilation is required for the appliance to operate correctly. The ventilation grid fitted at the factory guarantees an effective ventilation gap on the appliance of 31 in.² (200 cm²). If you replace the ventilation grid with a fascia, this must have at least the same size or larger ventilation gap as the manufacturer's ventilation grid.
- ▶ Note down the type (model, number), appliance name, appliance or serial number, date of purchase and manufacturer's address in the place provided for this in the Use & Care Manual.
- ▶ Remove all materials that could prevent it from being installed properly or prevent proper ventilation from the back or the side panels of the appliance.
- ▶ Remove the red transport safety device. Close off any holes that have been revealed with plugs (60).



After installation:

- ▶ Remove protective films, adhesive tapes and transport safety devices, etc.

Note

- ▶ Clean the appliance (see operating instructions, "Cleaning the appliance" section).

Appliance dimensions

4 Appliance dimensions

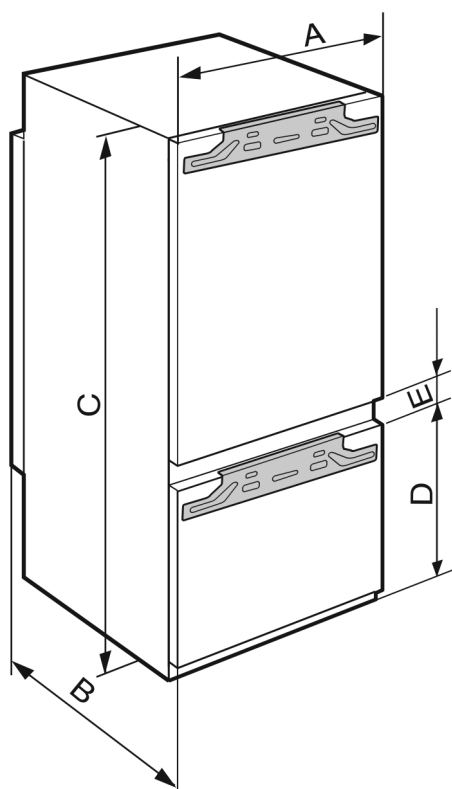


Fig. 1

	in.	mm
A	22 in.	559 mm
B	21 7/16 in.	544 mm
C	69 11/16 in.	1770 mm
D	27 3/8 in.	695 mm
E	5/8 in.	15 mm

5 Recess dimensions

This is a built-in appliance and is therefore completely enclosed by a kitchen cabinet. The kitchen cabinet surrounding the appliance must be designed exactly in accordance with the specified fitting dimensions and must allow sufficient air circulation to ensure correct operation of the appliance.

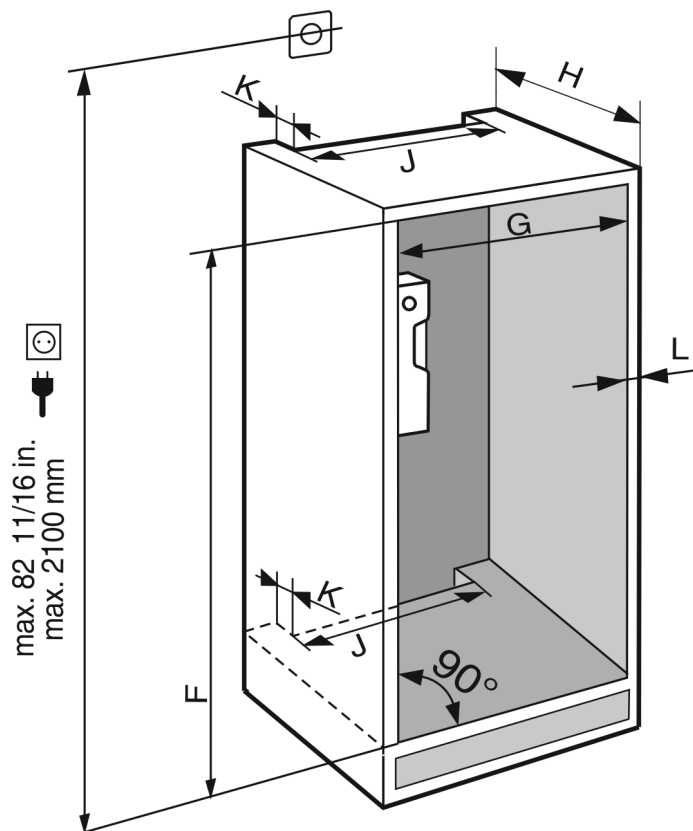
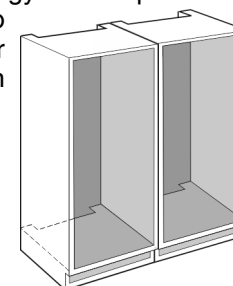


Fig. 2

	in.	mm
F	69 3/4 — 70 3/8	1772 — 1788
G	22 — 22 3/4	560 — 578
H	min. 21 5/8, recommended 22	min. 550, recommended 560
J	min. 19 11/16	min. 500
K	min. 1 5/8	min. 40
L	max. 3/4	max. 19

The declared energy consumption was determined with a kitchen cabinet depth of 560 mm. The appliance is fully functional with a kitchen cabinet depth of 550 mm but will have a slightly increased level of energy consumption.

- ▶ For side-by-side installation of two appliances next to each other install each appliance in its own kitchen cabinet.



- ▶ Check the wall thickness of adjacent cabinets: It must be at least 5/8 in. (16 mm).
- ▶ Only install the appliance in solid, fixed kitchen cabinets. Ensure that the cabinets cannot tip over.

- ▶ Align the cabinets with a spirit level and a try square. If necessary level them by putting something underneath them.
- ▶ Ensure that the floor and the side panels of the cabinet are at right angles to each other.

6 Cabinet door

- Two doors are required for the kitchen cabinet: a top one for the fridge section and a bottom one for the freezer section.
- The doors must be at least 5/8 in. (16 mm) and no more than 3/4 in. (19 mm) thick.
- When the two doors are closed the gap between the top and bottom door must be at least 1/8 in. (3 mm).
- The gap between the cabinet doors must be the same as the gap between the appliance doors.
- There must be a gap of at least 1/8 in. (3 mm) between the door and the cupboard door above it (if there is one).
- The width of the cabinet doors depends upon the style of the kitchen and the size of the gap between the door panels of the cupboard. Normally a vertical gap of 1/8 in. (3 mm) should be left between the cabinet doors.

- The upper edges of the top door and the bottom door should be the same as the on the cupboard(s) next to it if there are any other cupboards.
- The unit doors must be assembled flat and free from tension.

NOTICE

An excessively heavy unit door can cause potential damage!

If the unit door is too heavy, we cannot rule out damage to the hinges, which may compromise the use of the unit.

- ▶ Before installing the unit door, ensure the door does not exceed the permissible weight.

Appliance type	Maximum weight of unit door	
	Fridge compartment door	Freezer compartment door
HC 1021, HC 1030, HC 1050B, HCB 1060, HC 1070, HC 1080	30,5 lbs (14 kg)	26,5 lbs (12 kg)

Cabinet door

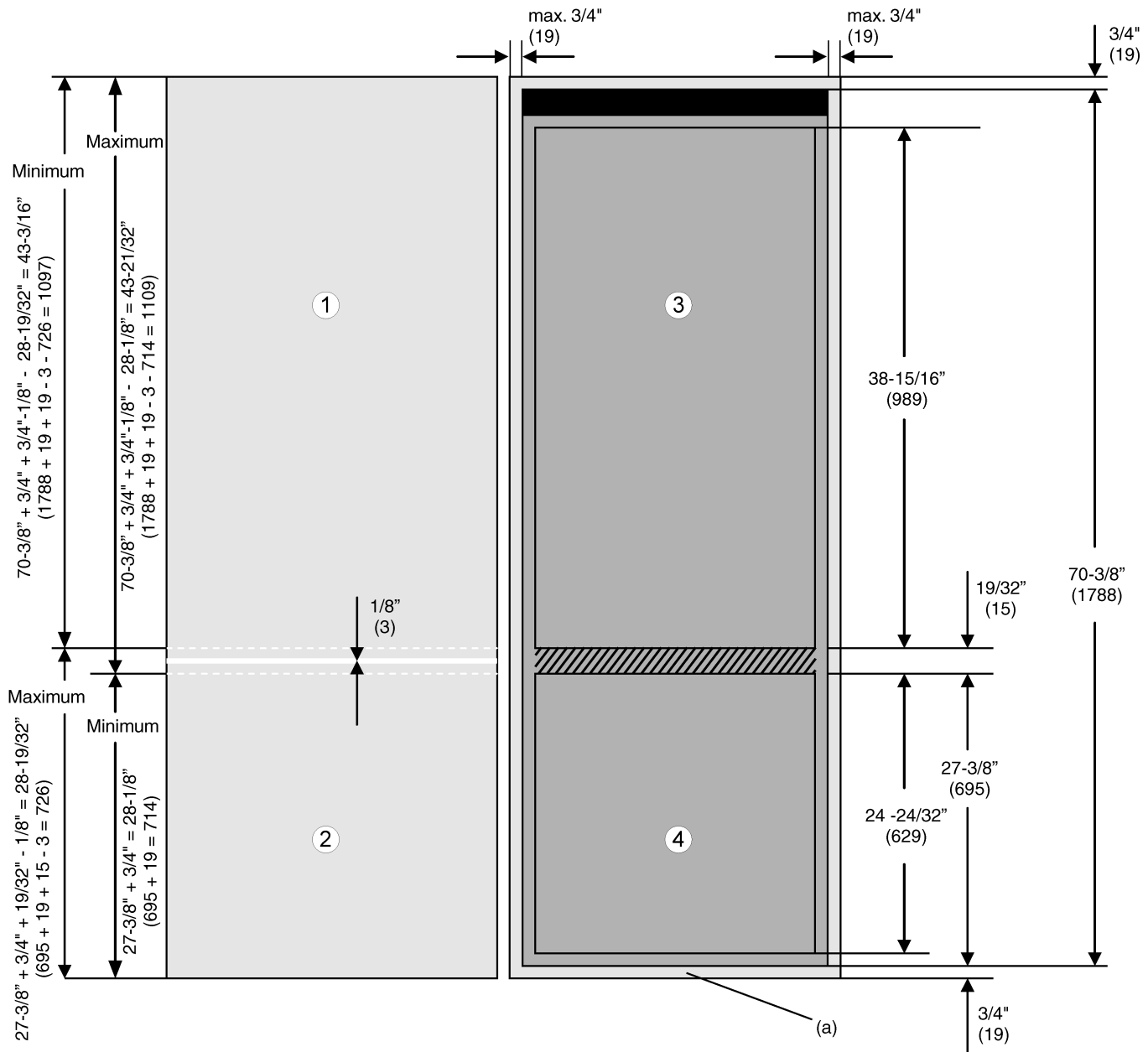


Fig. 3

The **height of the freezer door** is 24-24/32 in. (629 mm).

- In order to cover the bottom section of the appliance: extend the plate height to 27-3/8 in. (695 mm).

The thickness of the floor plate is normally 3/4 in. (19 mm).

- In order to cover the front of the floor plate Fig. 3 (a): extend the plate height to 27-3/8 in. + 3/4 in. = 28-1/8 in. (695 mm + 19 mm = 714 mm).

If no cabinet doors have yet been fitted the gap between the freezer section door Fig. 3 (4) and the fridge section door Fig. 3 (3) is 19/32 in. (15 mm) After the cabinet doors have been fitted the gap between the two doors Fig. 3 (1,2) is about 1/8 in. (3 mm) and must be inside the hatched area.

Of course, the final door height depends on the size of the gap on the doors of the kitchen cabinets that are to the right and left of the fitted appliance cabinet.

If there are other cabinets next to the fitted appliance cabinet they normally have a gap between two drawers or doors. Depending on the design of your kitchen these gaps are about 1/8 in. (3 mm) wide.

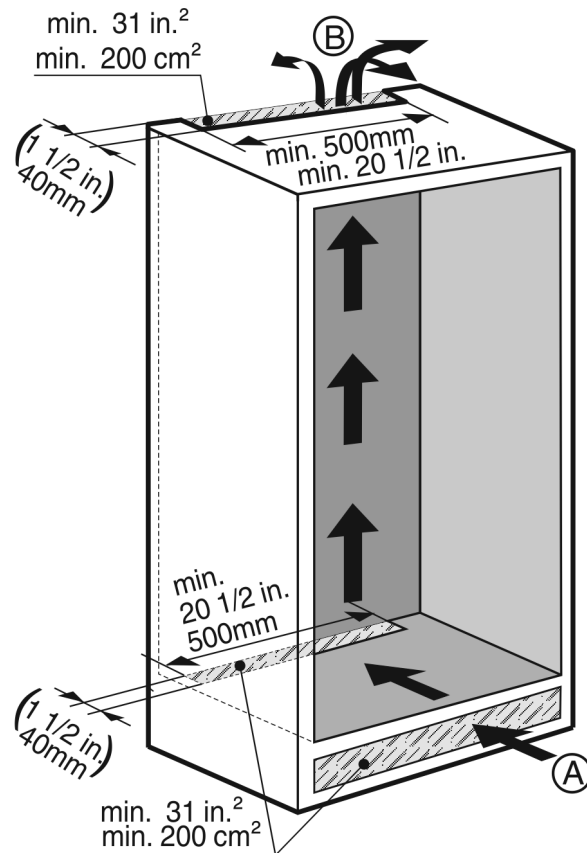
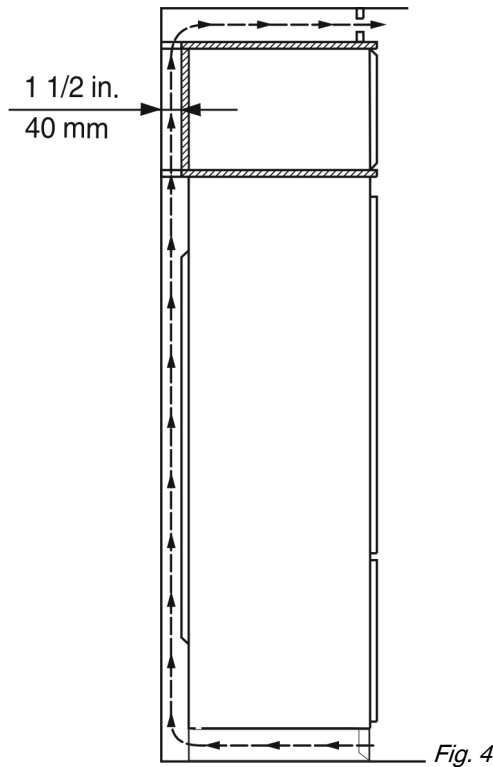
- In this case increase the plate height to 27-3/8 in. + 3/4 in. + 19/32 in. - 1/8 in. = 28-19/32 in. (695 mm + 19 mm + 15 mm - 3 mm = 726 mm).

The height of the **refrigerator door leaf** is calculated as follows:

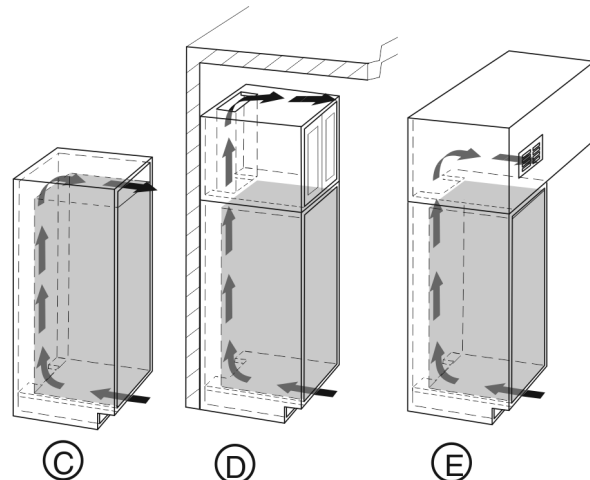
Air circulation in the kitchen cabinet

- Total height of the cupboard (i.e. 70-3/8 in. (1788 mm)) plus thickness of the cover and floor plate (normally 3/4 in. (19 mm)) minus the height of the freezer cabinet door leaf (xxx in. (xxx mm)) as calculated above and minus the gap width (approximately 1/8 in. (3 mm)): 70-3/8 in. + 3/4 in. + 3/4 in. - xxx in. - 1/8 in. = 71-3/4 in. - xxx in. (1788 mm + 19 mm + 19 mm - xxx mm - 3 mm = 1823 mm - xxx mm)

7 Air circulation in the kitchen cabinet



- There must be an effective ventilation gap of at least 31 in² (200 cm²) per appliance for the air inlet Fig. 5 (A) and the air outlet Fig. 5 (B).
- Basically, the bigger the ventilation gap, the more energy-saving the operation of the appliance.
- The depth of the ventilation shaft on the back wall of the cabinet must be at least 1-1/2 in. (40 mm).



- The top ventilation gap can be set up either directly above the appliance with an optional ventilation grid Fig. 6 (C) near the ceiling, above the cabinet Fig. 6 (D) or as an air vent in a false ceiling Fig. 6 (E).

Reversing the door

Ventilation from underneath through the floor of the kitchen cabinet can be set up with the supplied ventilation grid *Fig. 7 (3)* or an air vent with at least a 31 in² (200 cm²) cross section area. If you use the supplied ventilation grid *Fig. 7 (1)* please proceed as follows:

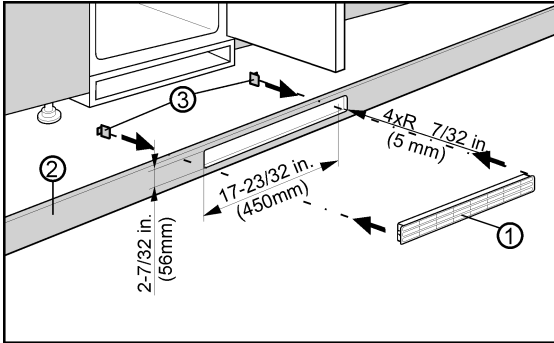


Fig. 7

- ▶ Cut a hole 17-23/32 in. (450 mm) wide and 2-7/32 in. (56 mm) high in the floor of the kitchen cabinet.
- ▶ Insert the ventilation grid *Fig. 7 (1)* into the cut out in the cabinet floor *Fig. 7 (2)*.
- ▶ Slide the snap connectors *Fig. 7 (3)* into the grid from behind until the hooks touch the cabinet floor.
- ▶ Fit the cabinet floor (with the ventilation grid snapped into place) into the cabinet.

8 Reversing the door*



WARNING

Risk of bodily injury due to the door falling off.

If the fasteners are not installed with the proper torque, the door may fall off. In addition, the door may not close, thus impairing the cooling performance of the appliance.

- ▶ Tightly secure the hinges along ball stud of the soft stop mechanism by applying a torque of 3 lb-ft (4 Nm).
- ▶ Tighten the soft stop mechanism retainer firmly with 2.5 lb-ft (3 Nm).
- ▶ Check all screws and retighten if necessary.

Note

The door stop can only be changed if there is sufficient space above to remove the hinge fixing bracket and fit it on the opposite side again. This is not normally the case when installing in a recess.

- ▶ Change the door stop before the appliance is installed in the recess.

	There is the risk of injury when doing this. Obey the safety instructions.
	The instructions apply to several models. Only perform this step if it applies to your appliance.
	Select one of the alternatives shown.



Only undo the screw. Don't take it out.



Check the screws and if necessary tighten them.

Required tool:

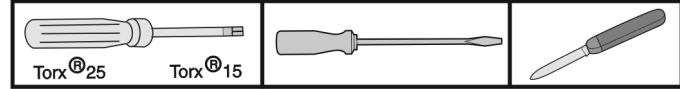


Fig. 8

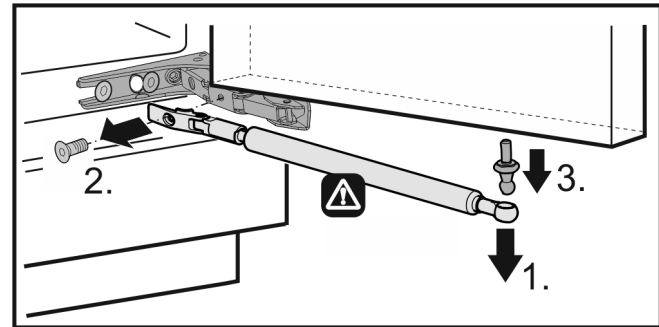


Fig. 9



CAUTION

Risk of injury if soft stop contracts!

- ▶ Carefully remove soft stop damper.

- ▶ Removing the soft stop damper: Remove the soft stop damper from the ball stud (1). Unscrew the retainer (2). Remove the ball stud with a screwdriver (3).

Reversing the door

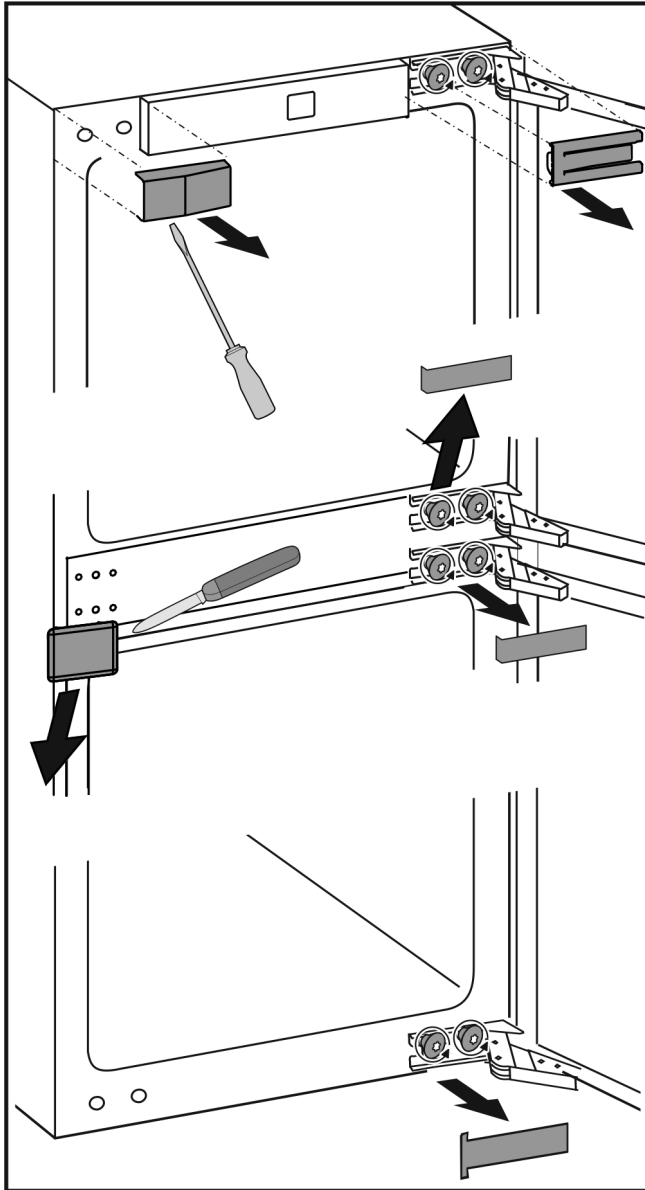


Fig. 10

► Remove covers.

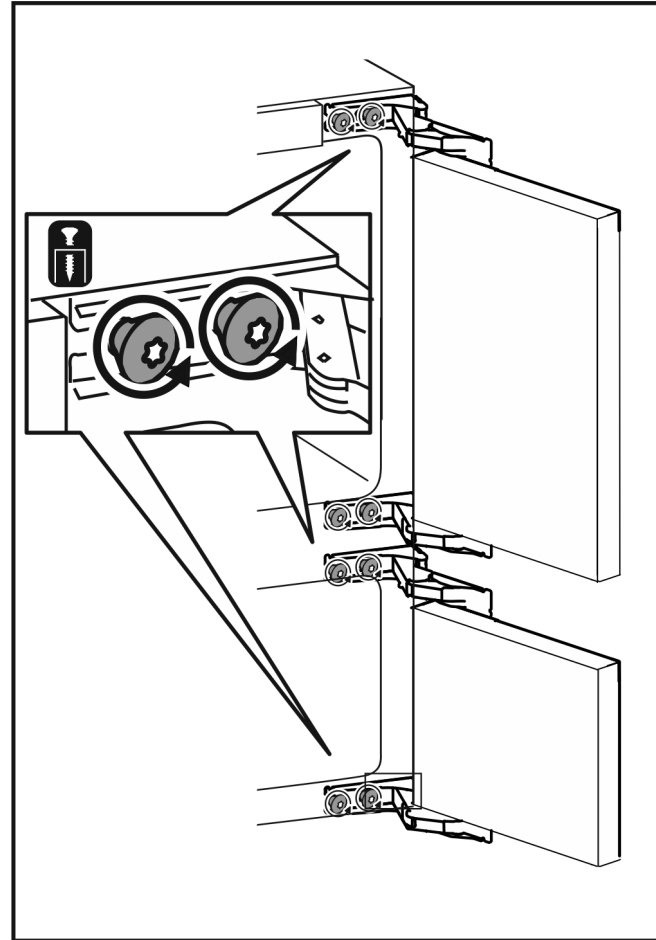


Fig. 11

► Undo the screws on the hinges but do not remove them.

Reversing the door

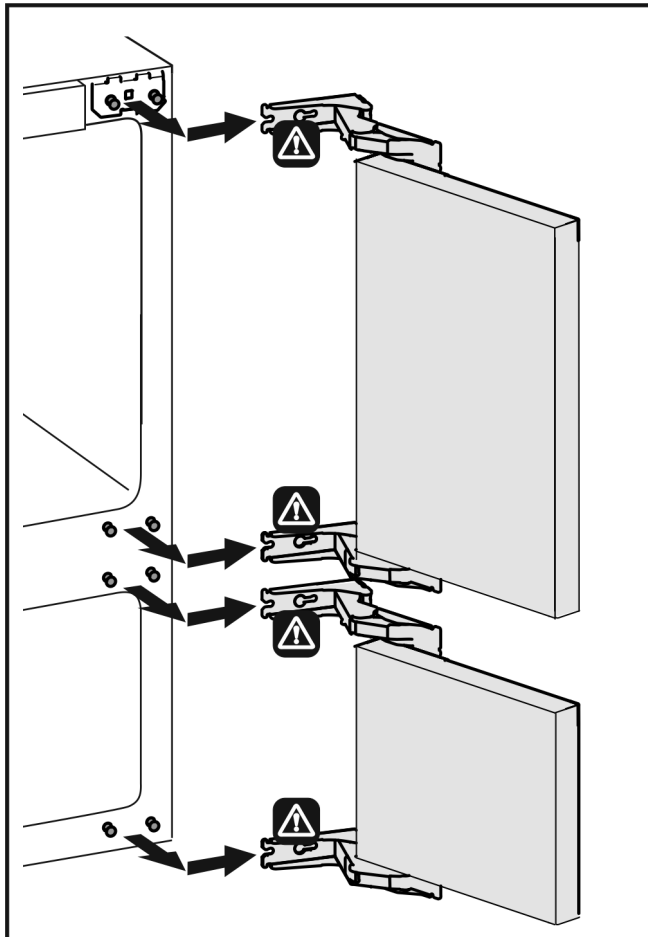


Fig. 12



CAUTION

Hinges are spring-loaded and can cause pinching injuries!

- ▶ Leave hinges open.
- ▶ Removing the door: Push the door forward and then out, unhook it and put it to one side.

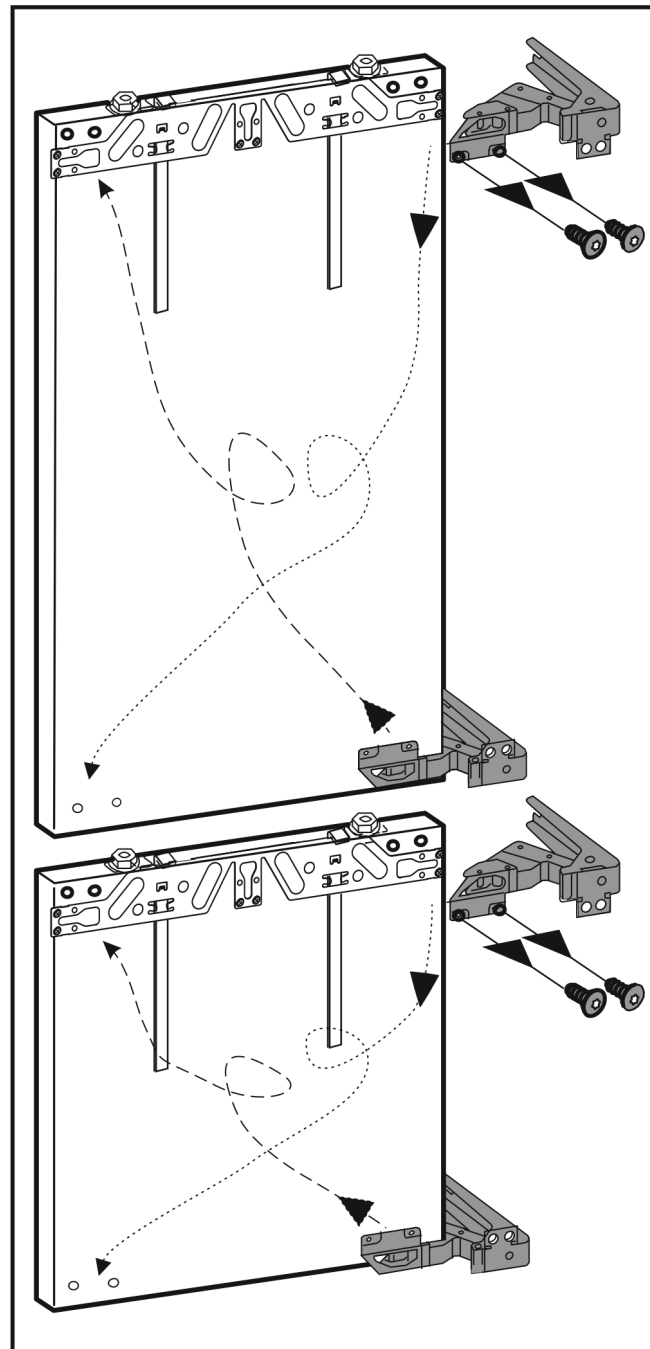


Fig. 13

- ▶ Swap the hinges.

Reversing the door

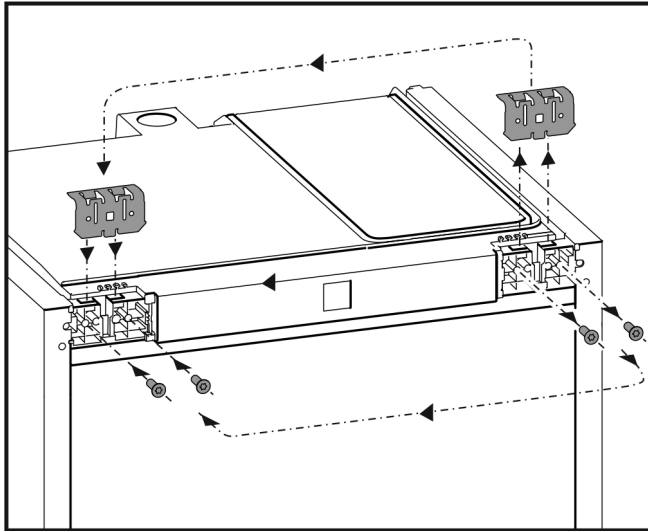


Fig. 14

- Swap the fixing bracket to the opposite side.

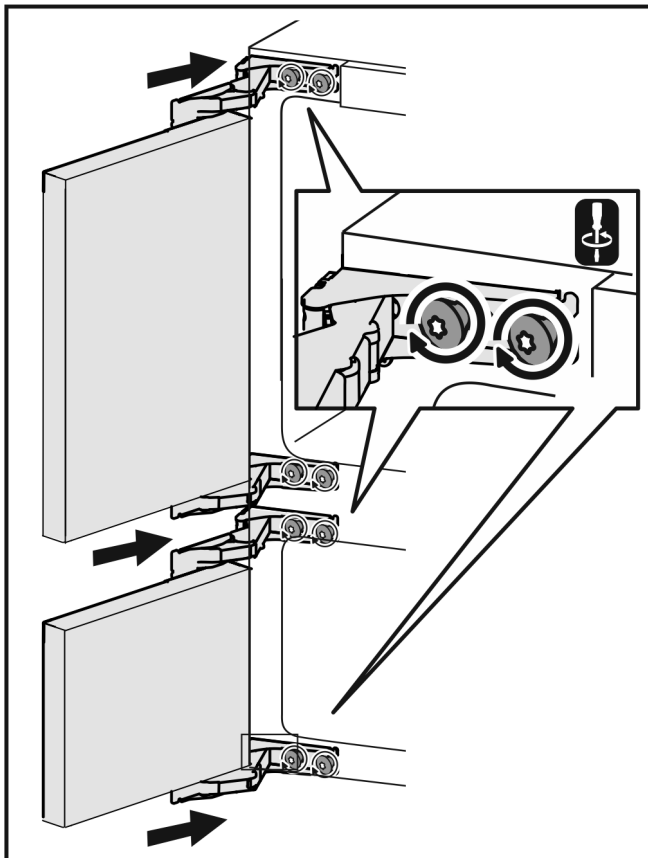


Fig. 15

- Fitting the door again: Reattach the door to the hinges and tighten the screws.

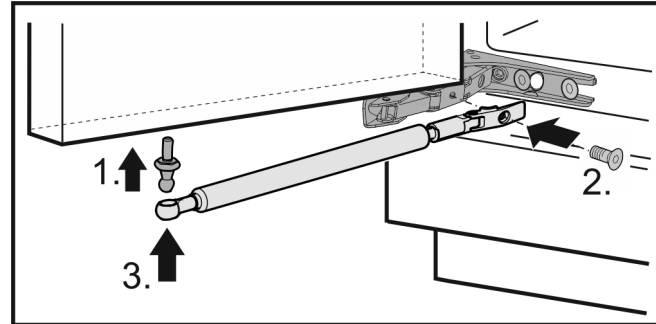


Fig. 16

- Re-attaching the soft stop mechanism: Screw in the ball studs (1), tighten the retainer (2) and attach the soft stop dampers into the ball studs.

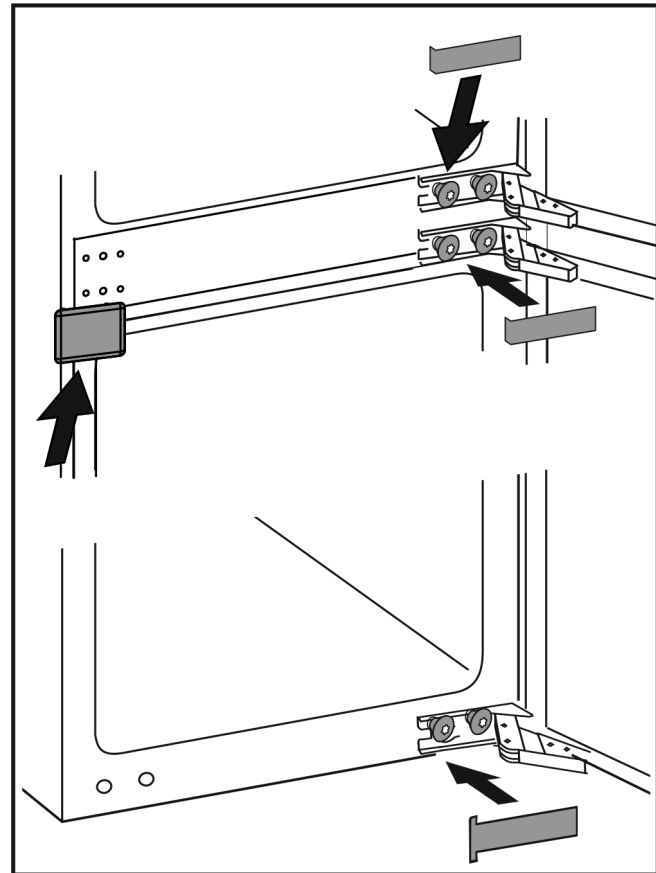


Fig. 17

- Check all screws and retighten if necessary.
- Fit all covers except for the top left and the top right. Only fit the top covers after installing the appliance into the cabinet again.

Water connection

9 Water connection*



WARNING

Electrical Shock Hazard!

- ▶ Do not make the water connection while the appliance is connected to an electrical outlet.
- ▶ Disconnect the water supply before connecting the water lines for the IceMaker.
- ▶ The connection to the water supply may only be made by a trained and licensed plumber.



WARNING

Poisoning Hazard!

- ▶ The water quality must comply with the drinking water regulations for the geographical area where the appliance is located.
- ▶ Connect to potable water supply only.
- ▶ The IceMaker is designed exclusively to make ice cubes in quantities needed by a household and must only be operated with water appropriate for this purpose.

Water pressure:

psi	MPa (bars)
21.76 to 87.02	0.15 to 0.6 (1.5 to 6)

- Water must be supplied to the appliance through a cold water pipe that complies with hygiene standards and can withstand the operating pressure.
- All devices and equipment used to supply water must comply with the regulations in force in the respective country.
- The solenoid valve is located at the bottom of the back of the appliance. It has a metric R3/4 connecting thread.
- Use a **1/4"-OD copper wire** to connect the water supply with the solenoid valve. **This is not supplied with the appliance.**
- If your model has an IceMaker, a coupler is supplied between the metric R3/4 connection thread and the 1/4"-OD copper wire.

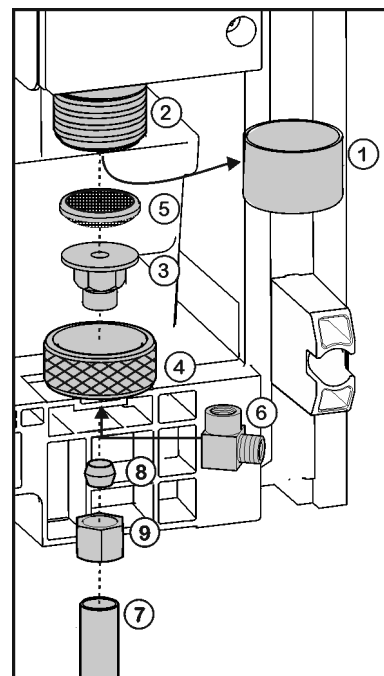


Fig. 18

- ▶ Remove the cap Fig. 18 (1) from the solenoid valve Fig. 18 (2).
- ▶ Insert the coupler Fig. 18 (3) in the union nut Fig. 18 (4).
- ▶ Insert the water filter Fig. 18 (5) with the recess pointing down towards the coupler Fig. 18 (3).

NOTICE

Risk of damage to the water filter!

If you insert the filter incorrectly you could damage it.

- ▶ Insert the filter with the recess pointing towards the coupler.

- ▶ Lock the union nut Fig. 18 (4) onto the solenoid valve Fig. 18 (2) and tighten.

NOTICE

Risk of damage to the thread!

- ▶ Do not overtighten the union nut.

- ▶ To turn the water connection 90°, tighten the elbow connector Fig. 18 (6) if necessary.
- ▶ Connect the water supply Fig. 18 (7) (e.g. copper) with the aid of the clamp ring Fig. 18 (8) and nut Fig. 18 (9) to the coupler Fig. 18 (3) or elbow connector Fig. 18 (6).

Installing the appliance in the recess.

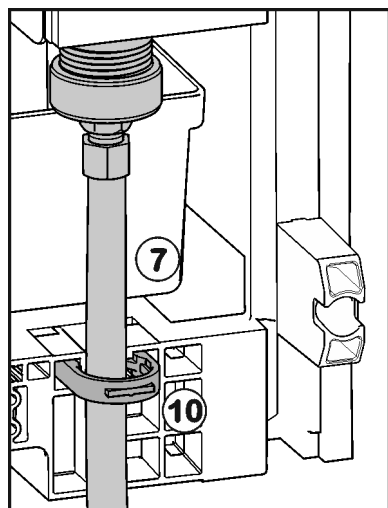


Fig. 19

- ▶ Affix the water supply Fig. 19 (7) to the housing, if necessary, using the locking element Fig. 19 (10). Before fitting into the cabinet:
- ▶ Check the whole water system for leaks. Before using for the first time:
- ▶ Have the water line bled (remove air) by a competent professional.

NOTICE

Malfunction of the water intake!

If the water intake is shut off during operation but the IceMaker remains in operation, the water intake pipe may ice up.

- ▶ Switch off the IceMaker if the water supply is interrupted (e.g. holiday).

10 Installing the appliance in the recess.



WARNING

Risk of fire due to short circuit.

- ▶ When inserting the appliance into the recess do not squash, jam or damage the power cable.
- ▶ Do not operate the appliance with a faulty power cable.

NOTICE

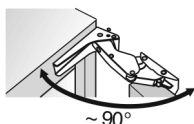
Risk of damage to the hinges.

The hinges could be damaged if the appliance gets caught on the door when it is being moved.

- ▶ Always hold onto the body when relocating and moving the appliance.

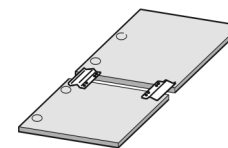
The following accessories are available from Customer Services for installing the appliance into a recess :

Set to restrict the door opening angle to 90°

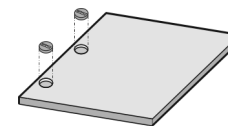


The following accessories are available from Customer Services for installing the appliance in a recess :

Set to fit divided cabinet fronts



Set with covers for top hinges



There is the risk of injury when doing this. Obey the safety instructions.



The instructions apply to several models. Only perform this step if the appliance is fitted with the corresponding feature.



Select one of the alternatives shown.



Only undo the screw. Don't take it out.



Check the screws and if necessary tighten them.

The following assembly parts are supplied with the appliance:

Installing the appliance in the recess.

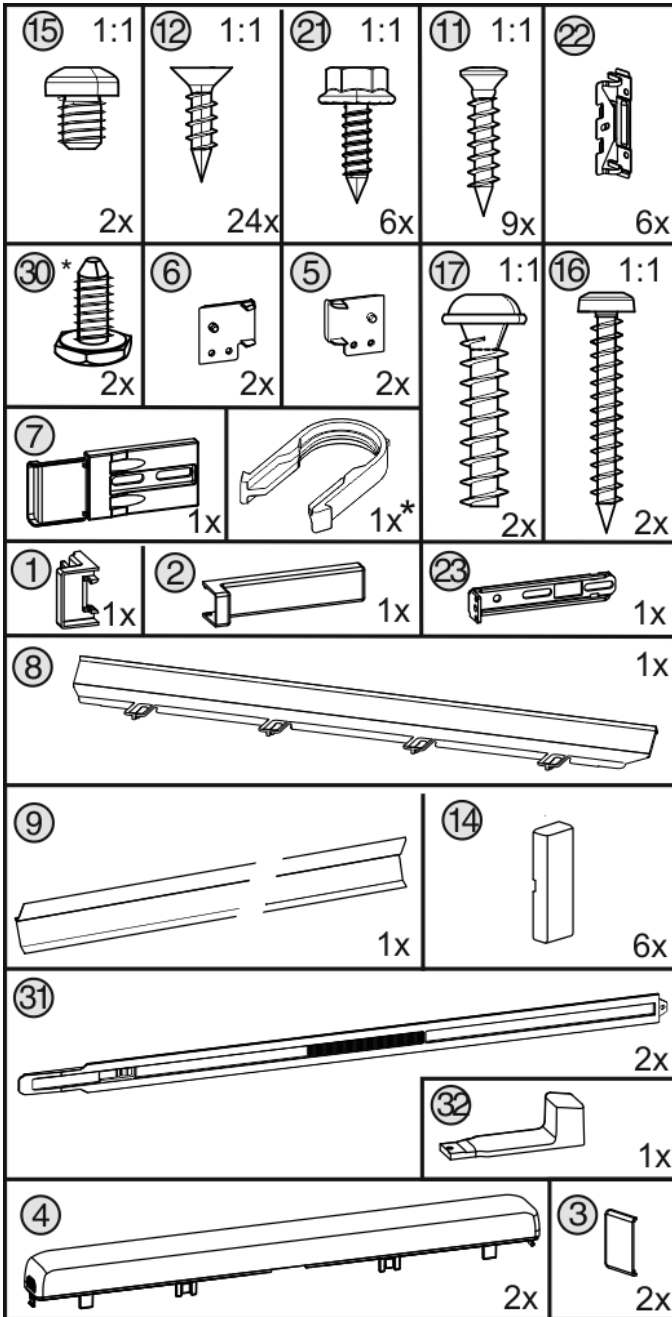


Fig. 20

The following tools are supplied with the appliance:



Fig. 21

The following tool is also required:

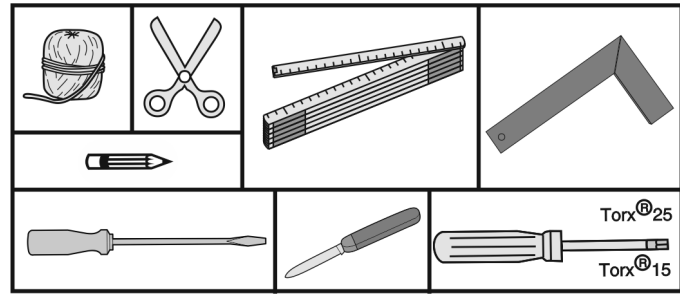


Fig. 22

If the depth of the unit is less than 21-3/4 in. (553 mm) remove the spacers on the back of the appliance in order to be able to push the appliance completely into the recess. Removing the spacers may cause the appliance to use more energy as this reduces the ventilation cross-section.

► Undo the screw and remove the spacers.

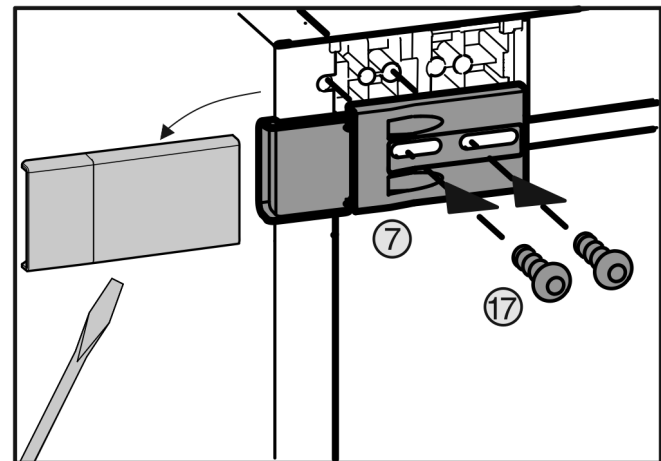
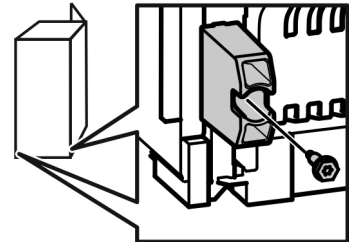


Fig. 23

► Remove the top left cover and screw the fixing bracket in loosely.

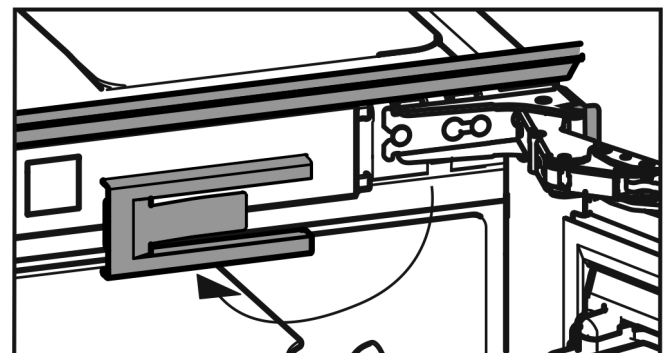


Fig. 24

► Take off cover.

Installing the appliance in the recess.

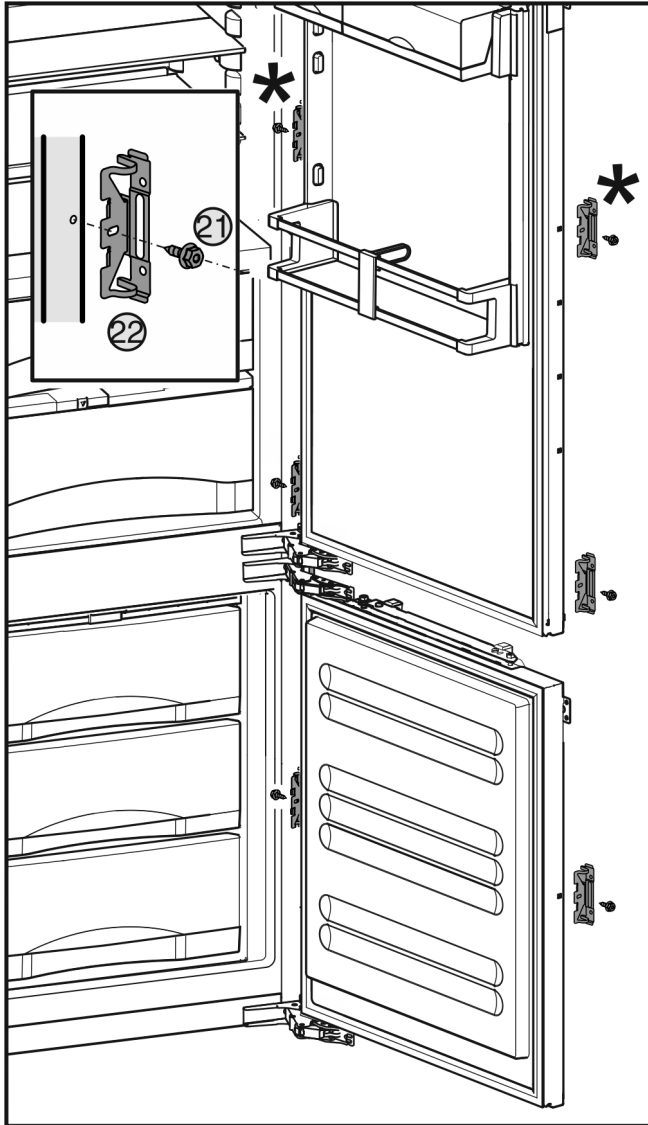


Fig. 25

- ▶ Fitting spring steel brackets. If the fridge section door is large use two pairs of spring steel brackets.

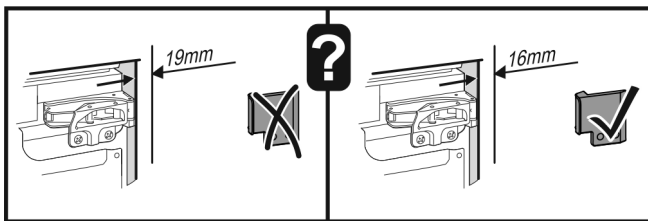


Fig. 26

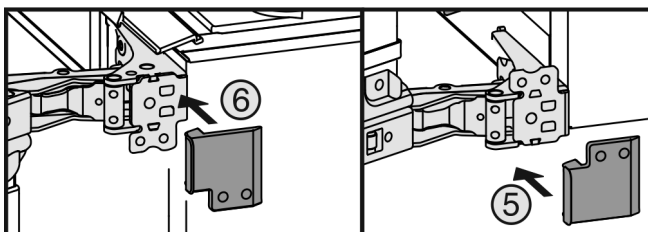


Fig. 27

- ▶ With 5/8 in. (16 mm) thick cabinet side panels:
▶ clip spacers on all hinges.
- ▶ Remove the top left cover and screw the fixing bracket in loosely.

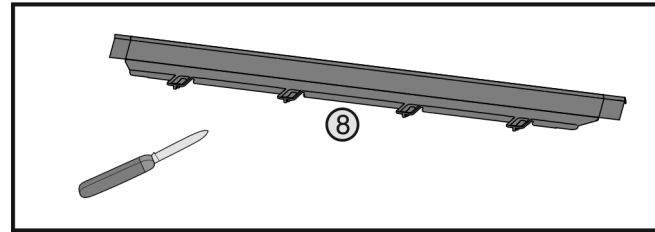


Fig. 28

- ▶ With a 22 3/4 in. (578 mm) wide recess:
▶ cut the equalizer trim on the hinge side with a knife to fit the groove.
- ▶ With a 22 in. (560 mm) wide recess:
▶ cut the equalizer trim on both sides with a knife to fit the groove.

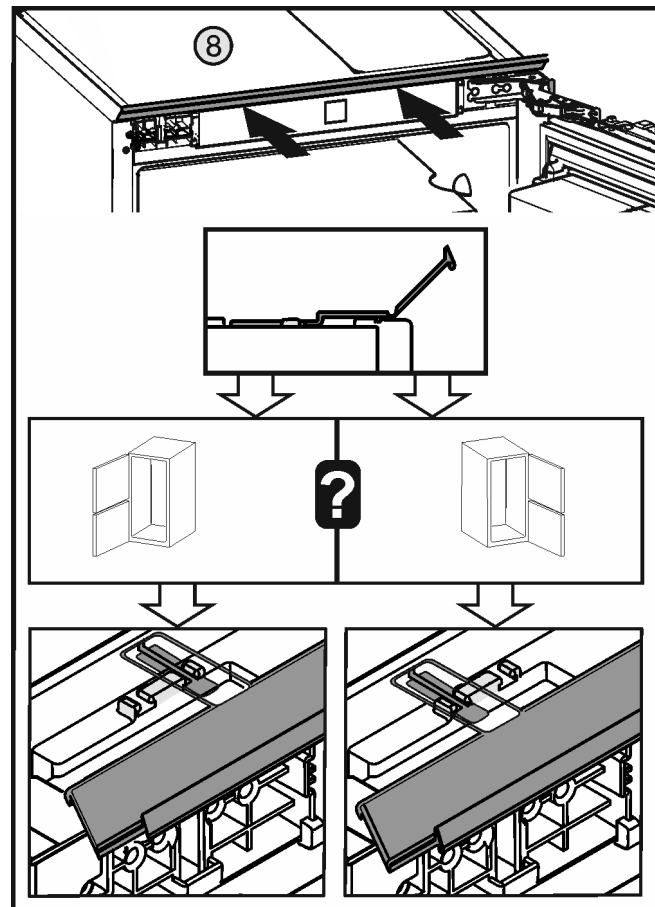


Fig. 29

- ▶ Fit the equalizer trim to the top of the appliance. If the hinge is on the left, slide the equalizer trim into the right hook. If the hinge is on the right, slide the equalizer trim into the left hook.

Installing the appliance in the recess.

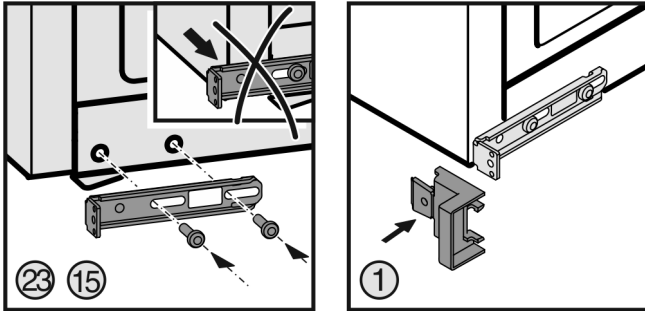


Fig. 30

- ▶ Fasten the bottom left fixing bracket so that it does not protrude beyond the side panel.
- ▶ Clip the stop onto the bracket.

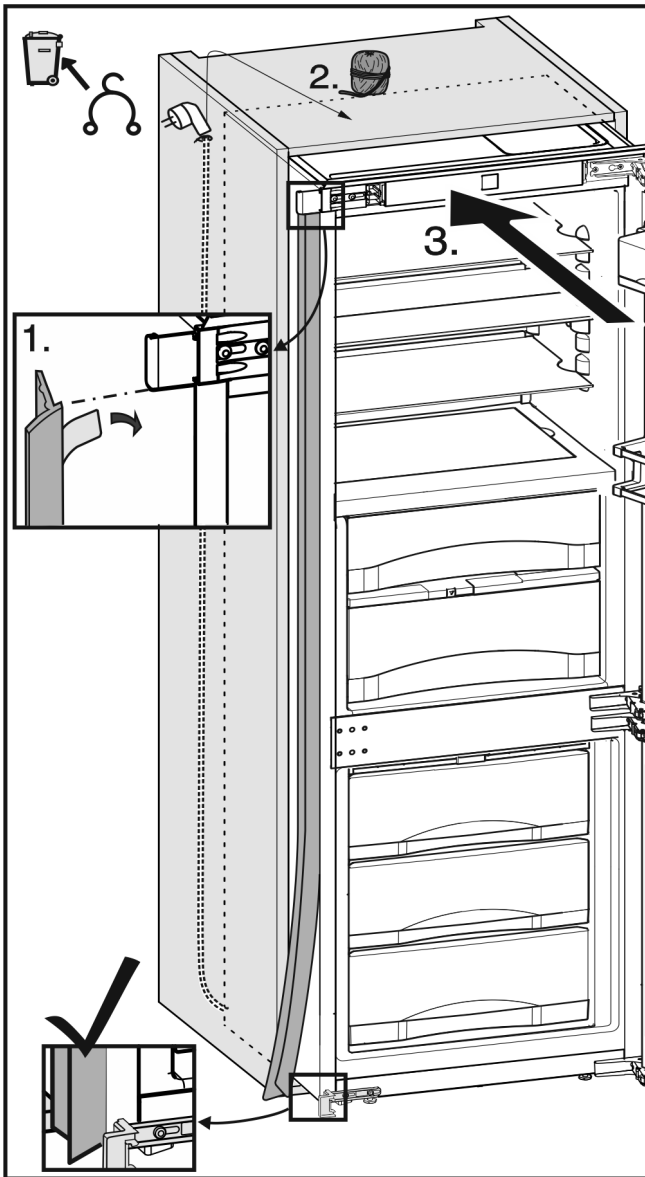


Fig. 31

- ▶ Fit the strip: place at the top under the bracket and stick to the side panel. The strip must not be shortened.
- ▶ Remove the mains cable cleat and run the cable upwards using a thread.

- ▶ Push the appliance two thirds into the cabinet.

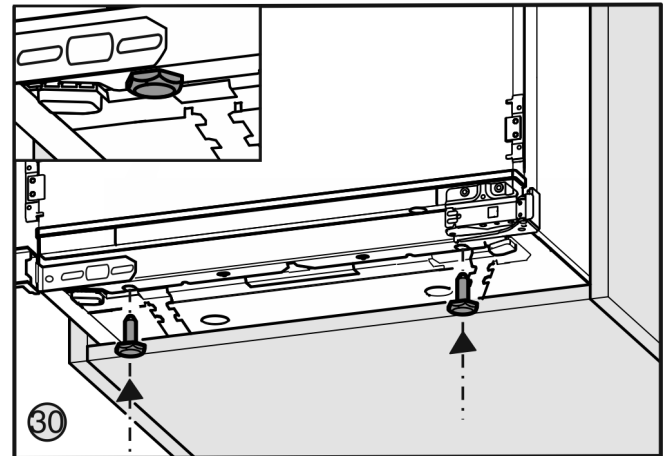


Fig. 32

- ▶ Fit the adjusting feet to the bottom of the appliance floor.

Installing the appliance in the recess.

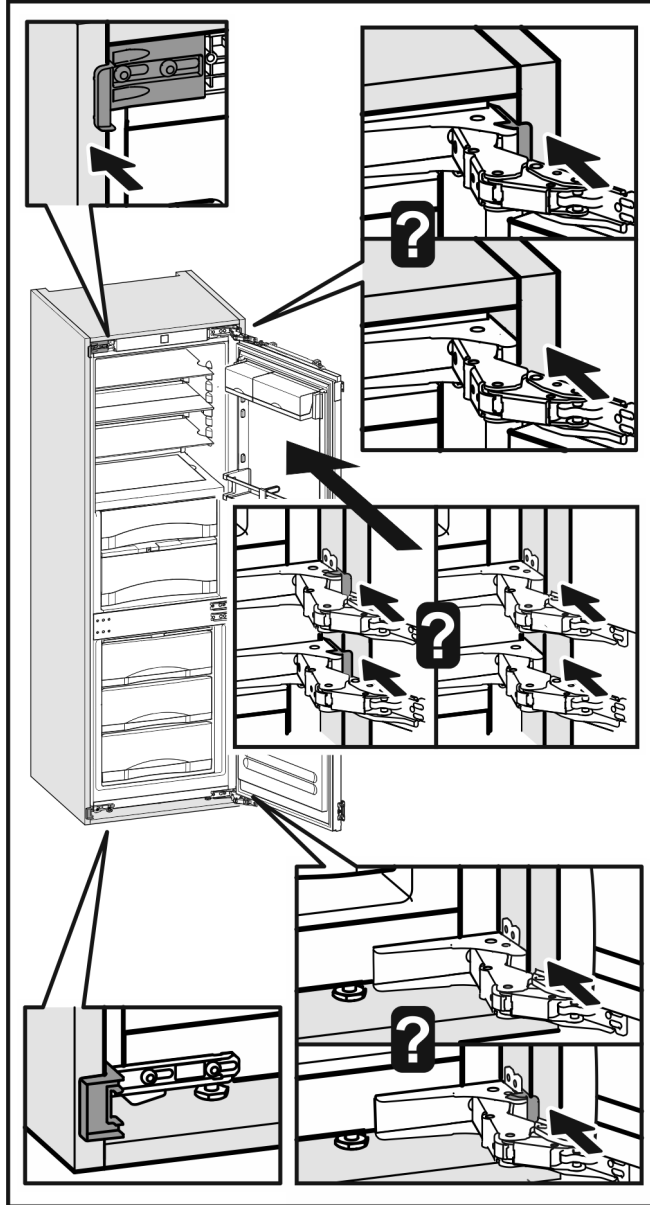


Fig. 33

- Push the appliance in until the handle side above the bracket and below the stop meets the front of the cabinet side panel. With 5/8 in. (16 mm) thick cabinet side panels the spacers on the hinge side must abut at the same time. With 5/8 in. (16 mm) thick cabinet side panels align the front edges of the hinges so that they are flush with the front of the cabinet side panel.

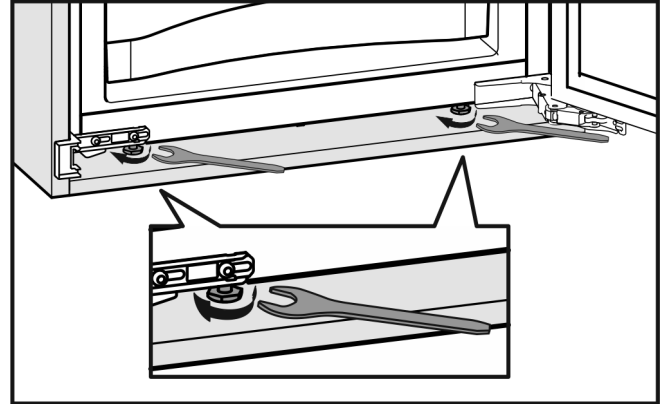


Fig. 34

- If necessary align the appliance using the adjusting feet.

Installing the appliance in the recess.

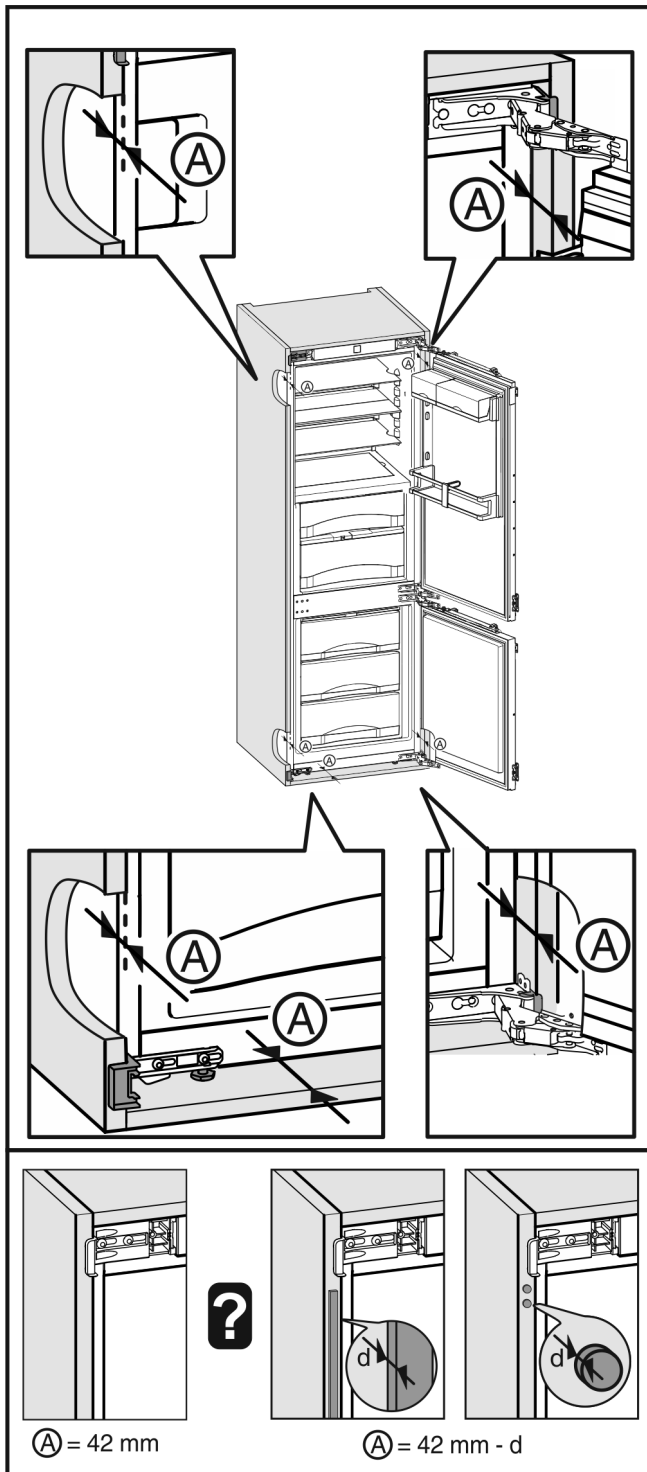


Fig. 35

- Checking the insertion depth (A): The distance between the front edge of the cabinet and the appliance body must be 1-21/32 " (42 mm) all the way along. If necessary make allowance for the stops on the cabinet (d).

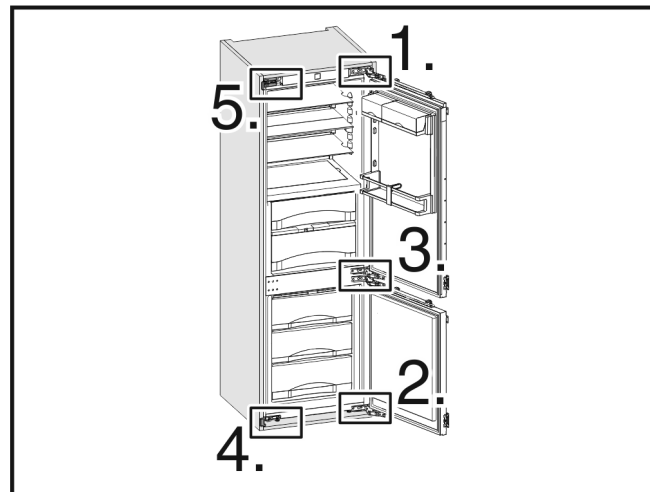


Fig. 36

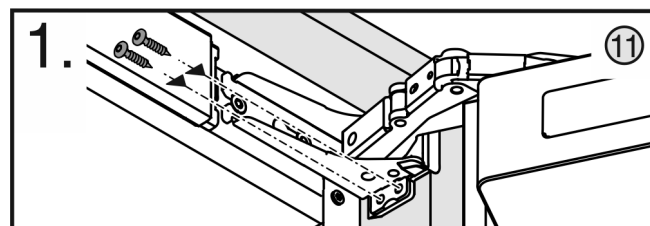


Fig. 37

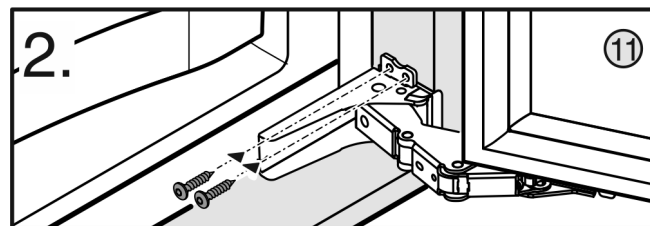


Fig. 38

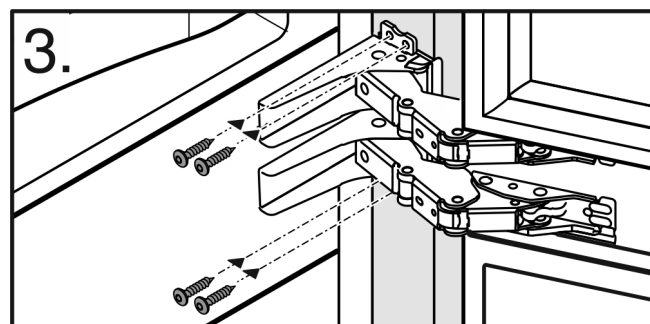


Fig. 39

Installing the appliance in the recess.

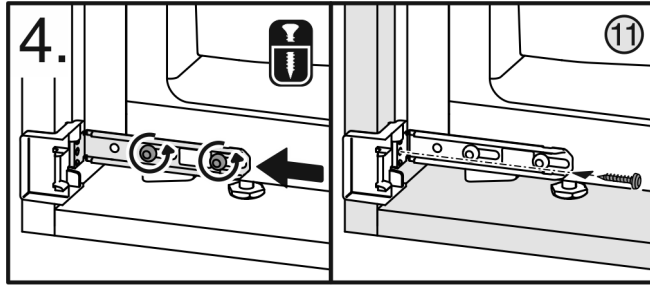


Fig. 40

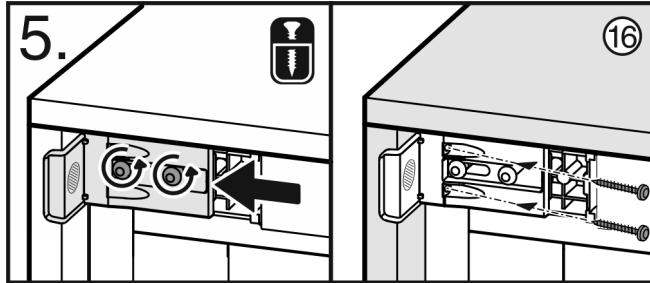


Fig. 41

- ▶ To fix the appliance in the recess: first hinge side up, then down, then in the middle. Then handle side down and finally handle side up.

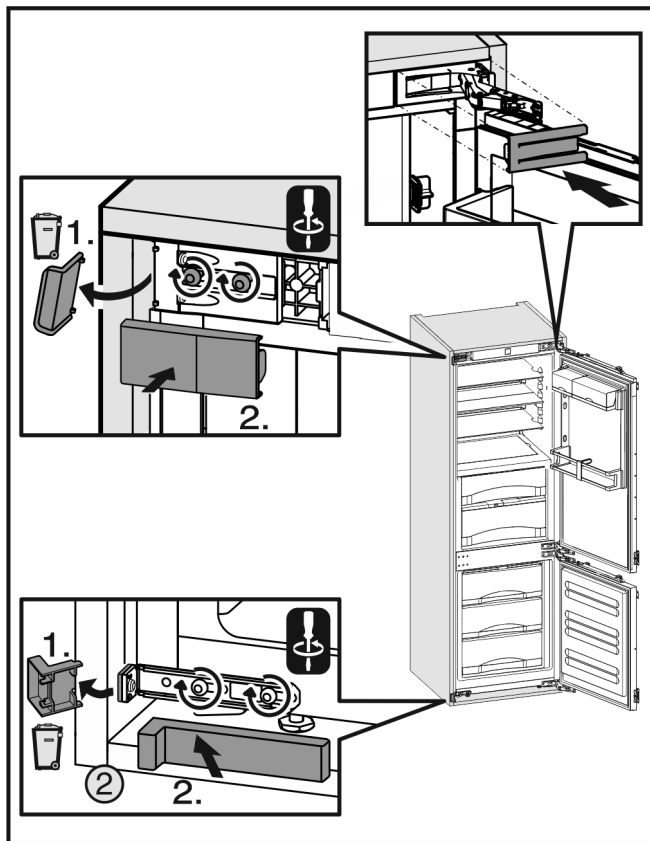


Fig. 42

- ▶ Remove the stop from the bracket on the handle side and dispose of it. Re-attach cover.
- ▶ Re-attach the cover on the hinge side.
- ▶ Break the stop at the bottom of the handle side off and dispose of it. Fitting the cover.

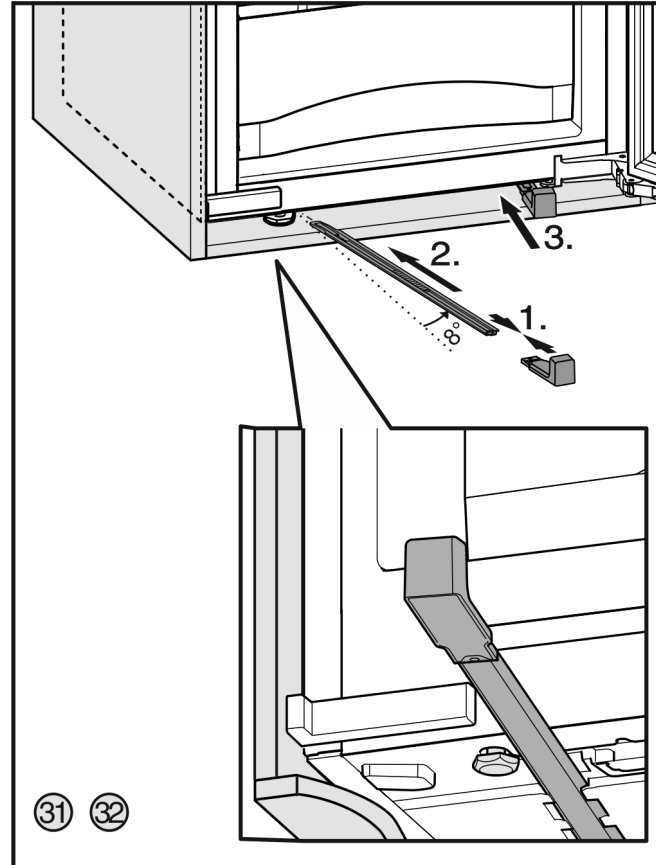


Fig. 43

- ▶ Supporting the appliance at the bottom at the back: Insert the handle into the stabilization rail and push the stabilization rail into the appliance floor. Remove the handle and do the same with the second stabilization rail.

Carry out the steps below for both doors:

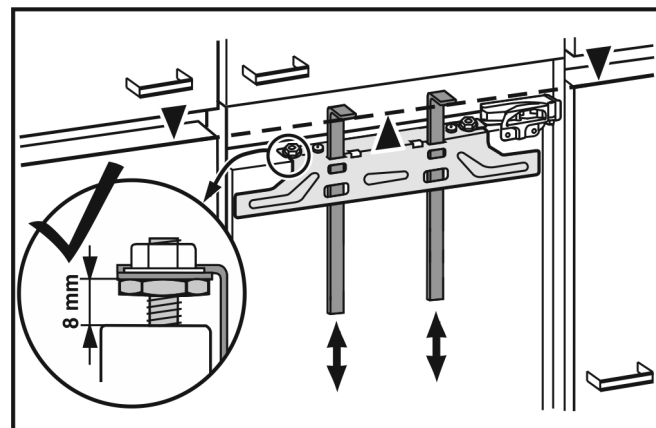


Fig. 44

- ▶ Close the door.
- ▶ Check the default setting of 5/16 in. (8 mm).
- ▶ Raise fitting aids to unit door height. Bottom stop edge of the fitting aid = top edge of the door to be fitted.

Installing the appliance in the recess.

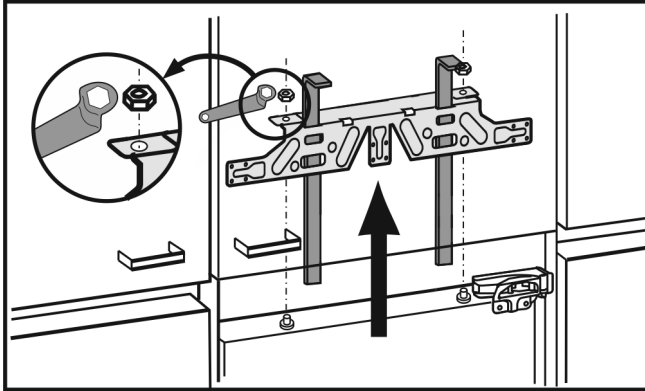


Fig. 45

- ▶ Undo the counter nuts and remove the crosspiece.

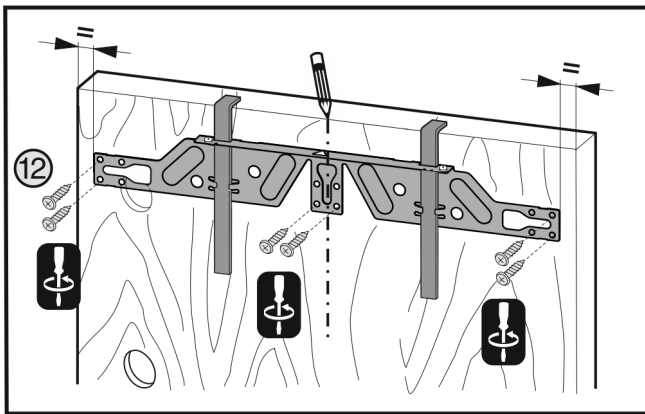


Fig. 46

- ▶ Hang crosspiece on the inside of the unit door. With a 22 in. (560 mm) wide recess:
- ▶ align the crosspiece to the middle of the door.

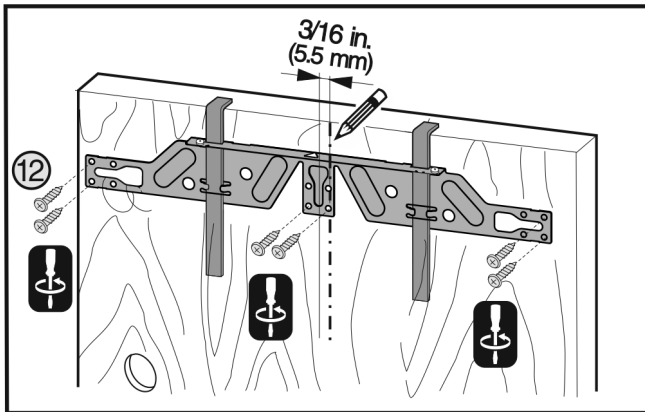


Fig. 47

- ▶ With a 22 3/4 in. (578 mm) wide recess:
- ▶ align the crosspiece to the middle of the door and then 3/16 (5.5 mm) move towards the hinge side.
- ▶ With chipboard doors fit the crosspiece with at least 6 screws and at least 4 screws for frame and panel doors.

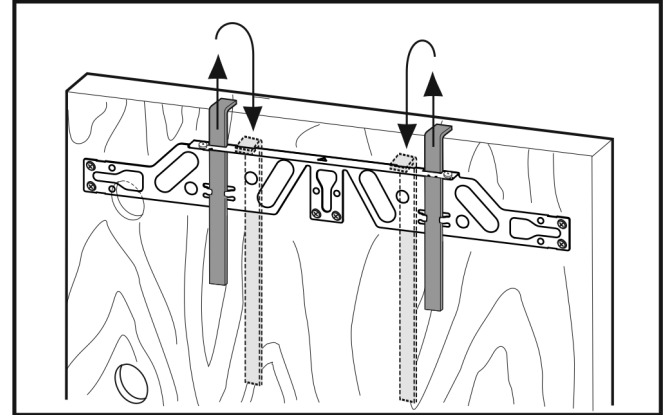


Fig. 48

- ▶ Remove the fitting aids, turn round and insert into the adjacent opening.

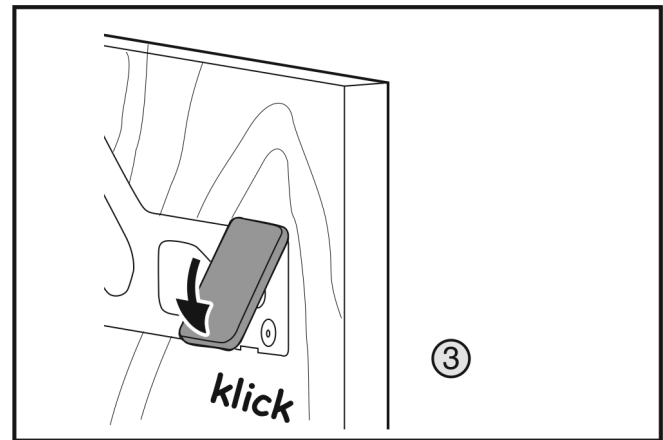


Fig. 49

- ▶ Clip the cover on the crosspiece on the handle side.

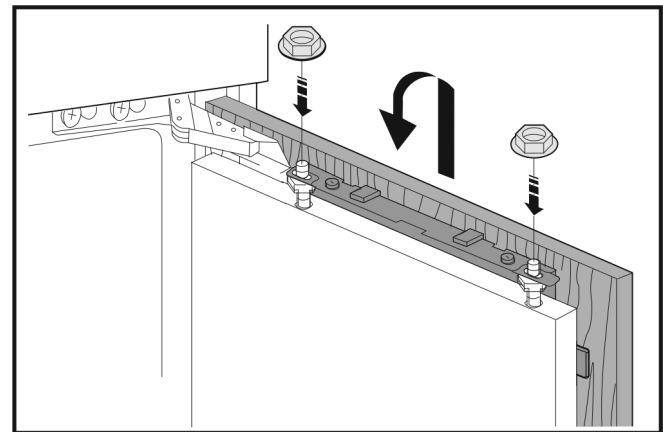


Fig. 50

- ▶ Attach the unit door and loosely screw the lock nuts onto the adjusting bolts.

Installing the appliance in the recess.

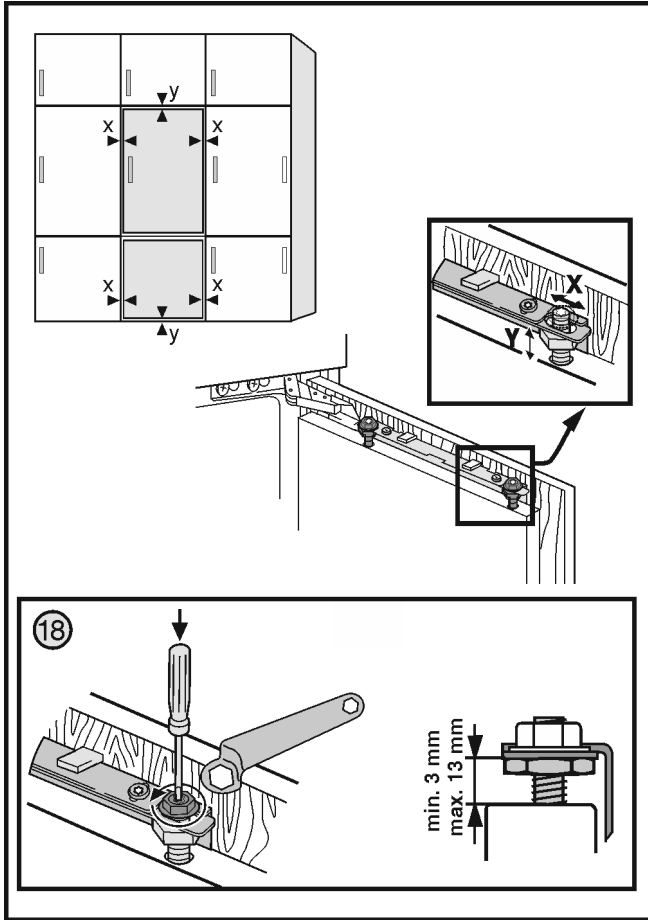


Fig. 51

- ▶ Align the unit door in the X and Y direction using the adjusting bolts.
- ▶ Tighten the lock nuts.

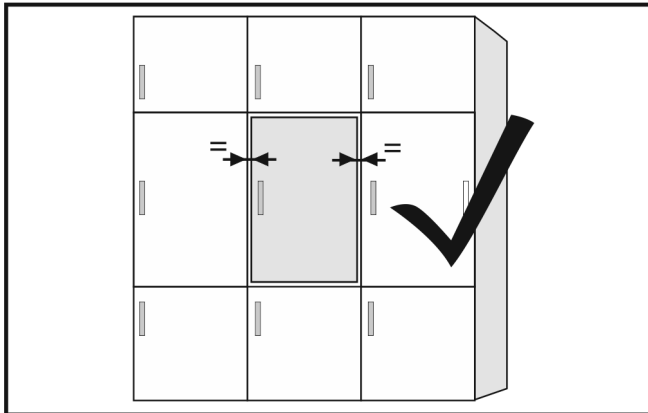


Fig. 52

- ▶ Check the gap between the door and the surrounding unit doors

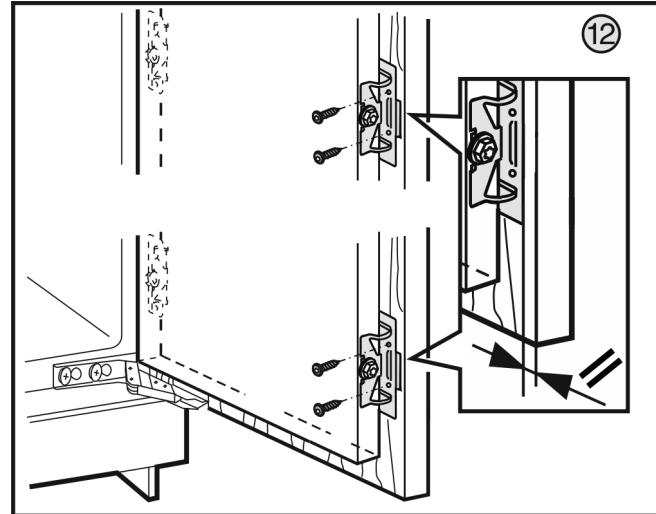


Fig. 53

- ▶ Align the front edge of the spring steel bracket parallel to the unit door edge and screw the bracket down tightly.

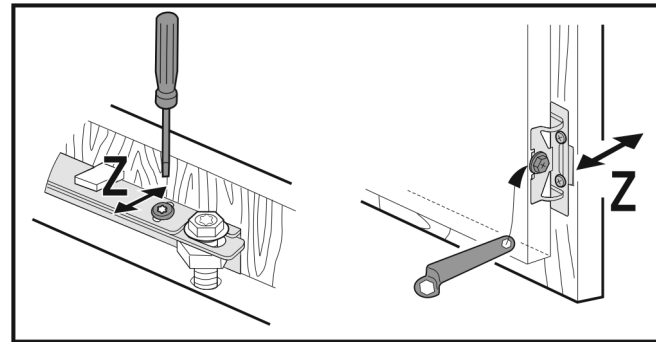


Fig. 54

- ▶ Aligning the unit door in the Z direction: Undo the adjusting screw on the crosspiece and the screw on the spring steel bracket then move the door.

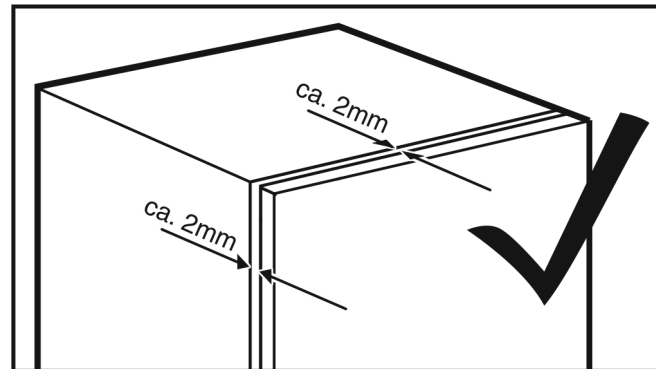


Fig. 55

- ▶ Check the distance between the unit door and the unit body.
- ▶ Check all screws and retighten if necessary.

Disposal of packaging

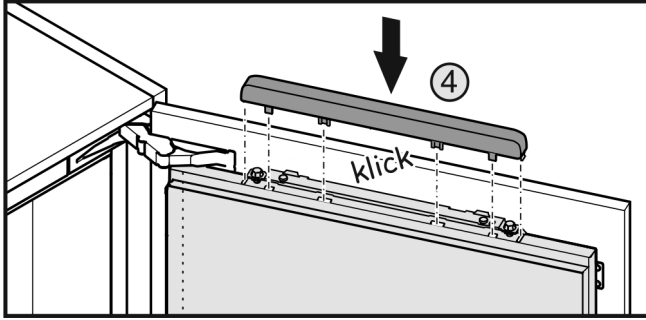


Fig. 56

- ▶ Clip the top cover on.

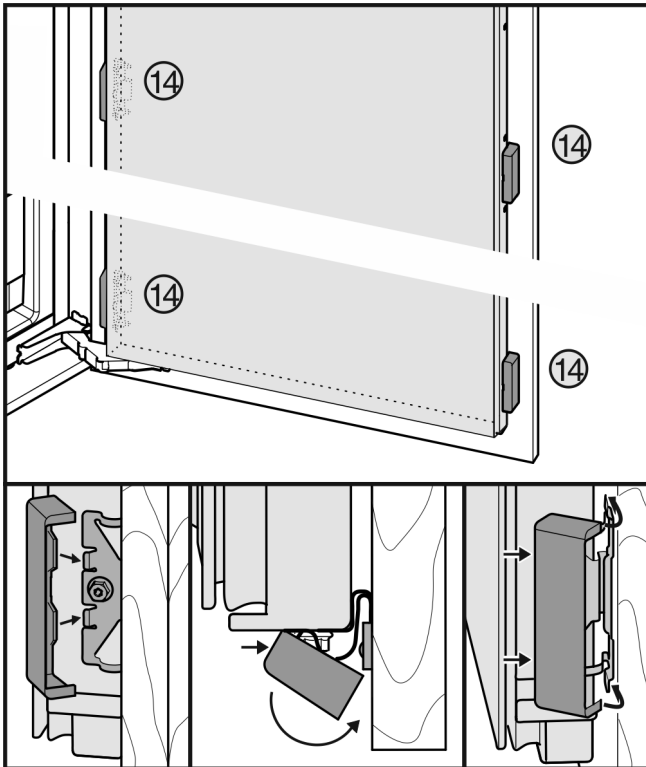


Fig. 57

- ▶ Put the cover onto the spring steel bracket, fasten at the front, swivel towards the back and let it engage at the top and bottom.

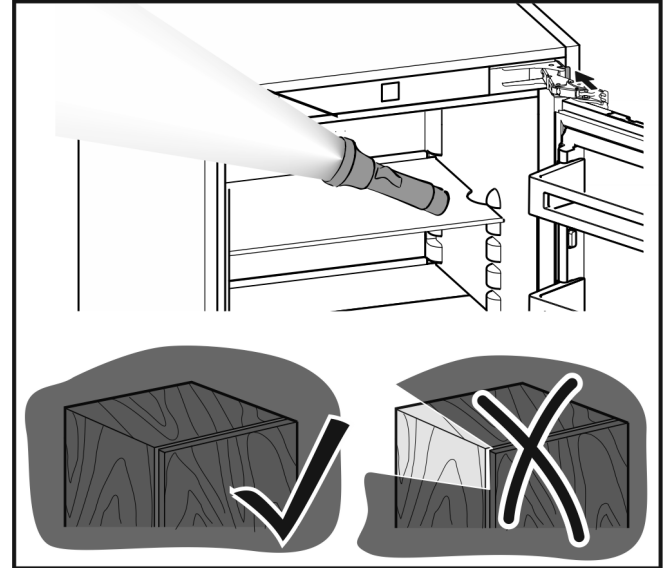


Fig. 58

Check the following points to make sure the appliance is installed correctly. Otherwise, icing up, the formation of condensate and malfunctions may occur:

- ▷ The door must close properly.
- ▷ The unit door must not touch the body of the unit.
- ▷ The seal on the upper corner on the handle side must be fitted securely. To verify this, darken the room, place a flashlight in top part of the appliance and close the door. If you see light shining out, check the assembly.

11 Disposal of packaging



WARNING

Danger of suffocation from packaging materials and films!
▶ Do not allow children to play with packaging materials.

The packaging is made from recyclable materials:

- Corrugated card/cardboard
- Parts made of foamed polystyrene
- Films and bags from polyethylene
- Packing bands from polypropylene
- Wood frame nailed together with a polyethylene window*

- ▶ Take the packaging material to an official collection point.



12 Connecting the appliance



WARNING

Electrical shock hazard!

- ▶ Start-up should only take place once the appliance has been installed according to these instructions.
 - ▶ Electrically ground appliance.
 - ▶ Do not ground to a gas pipe.
 - ▶ Check with a qualified electrician if you are not sure the appliance is properly grounded.
 - ▶ Do not have a fuse in the neutral or grounding circuit.
 - ▶ Do not use an extension cord, power bar or a multiple socket adapter.
 - ▶ Do not use a power cord that is frayed or damaged.
-



WARNING

Electrical shock hazard!

This appliance is equipped with a three-prong (grounding) polarized plug for your protection against possible shock hazards. Electrical Grounding Required.

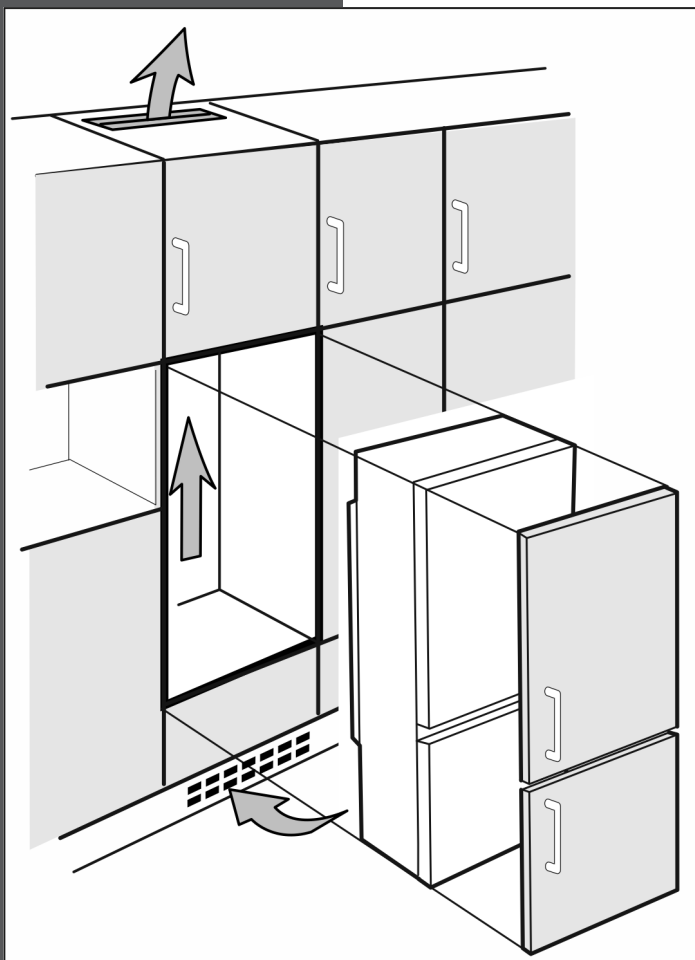
- ▶ Do not remove the round grounding prong from the plug.
 - ▶ Use only an grounded adapter.
-

- Wait 1 hour after installation before you plug in the appliance. This allows the refrigerant and system lubrication to reach equilibrium.
- Make sure incoming voltage is the same as the appliance rating. A 110-120 Volt, 60 Hz, 15 Amp electrical supply (20 Amp for side-by-side installations) circuit that is controlled by a circuit breaker or fuse is required.
- We recommend using a dedicated circuit for this appliance to prevent electrical overload.
- Follow all Federal, State and local electrical, fire and building codes and ordinances when installing the receptacle and / or the appliance.
- In some communities, a wall switch is required to turn power to the appliance ON and OFF.
- To reduce the risk of fire, electric shock, or personal injury, installation work and electrical wiring must be done by a qualified electrician in accordance with all applicable codes and standards, including fire-rated construction.
- The Power Plug must be easily accessible so that the appliance can be disconnected from the mains quickly in an emergency. It must not be behind the back of the appliance.
- The top of the electric outlet must be located within 82-5/8 in. (2100 mm) from the top of the base in the cabinet.

LIEBHERR

Instrucciones de montaje

Combinado frigorífico-congelador,
integrable, puerta fija



HC 10..
070415 7085586 - 01

Contenido

1	Notas generales sobre seguridad.....	25
2	Transporte del aparato.....	25
3	Instalación del aparato.....	25
4	Medidas del aparato.....	27
5	Medidas del habitáculo.....	27
6	Puerta del mueble.....	28
7	Ventilación y salida de aire del mueble de cocina.....	30
8	Cambiar el tope de puerta.....	31
9	Conexión de agua.....	35
10	Instalar el aparato en el habitáculo.....	36
11	Eliminación del embalaje.....	46
12	Conexión del aparato.....	46

El fabricante trabaja continuamente para seguir desarrollando todos los tipos y modelos. Por lo tanto, agradeceríamos su comprensión ante posibles modificaciones de la forma, el equipo y la técnica.

Para conocer todas las ventajas de su nuevo aparato, lea detenidamente las indicaciones de este manual.

Las instrucciones son válidas para varios modelos; pueden producirse variaciones. Las secciones que sólo se refieren a determinados aparatos aparecen marcadas con un asterisco (*).

Las instrucciones de procedimiento aparecen marcadas con un ►, los resultados de procedimiento aparecen marcados con un ▷.

1 Notas generales sobre seguridad

- Lea y siga estas instrucciones. pues contienen indicaciones sobre la seguridad que son importantes para una instalación y un funcionamiento perfectos. Lea y siga siempre las indicaciones sobre la seguridad
- Es importante que se sigan las directrices e indicaciones de estas instrucciones para que el aparato se instale y funcione correctamente. Lea y comprenda toda la información que figura en estas instrucciones antes de instalar el aparato.
- Peligro de asfixia y aplastamiento: Retire las puertas y baldas de los aparatos antiguos para que no supongan ningún peligro para los niños que estén jugando.
- Instale, conecte y deseche el aparato siguiendo estrictamente las indicaciones. En

particular, se deben tener en cuenta el “Medidas del habitáculo” (consulte 5) y el “Ventilación y salida de aire del mueble de cocina” (consulte 7) .

- La caja de enchufe debe ser fácilmente accesible para poder desconectar el aparato rápidamente de la toma de corriente en caso de emergencia. Se debe encontrar fuera del área de la parte trasera del aparato.

	PELIGRO	identifica una situación de peligro inminente que, si no se evita, puede producir lesiones graves o incluso la muerte.
	ADVERTENCIA	identifica una situación de peligro que, si no se evita, puede producir lesiones graves o incluso la muerte.
	ATENCIÓN	identifica una situación de peligro que, si no se evita, puede producir lesiones leves o moderadas.
	AVISO	identifica una situación de peligro que, si no se evita, puede producir daños materiales.
	Nota	identifica indicaciones y recomendaciones útiles.

2 Transporte del aparato



ATENCIÓN

Riesgo de daños y lesiones derivado de un transporte inadecuado

- Transporte el aparato embalado.
- Transporte el aparato en posición vertical.
- No transporte el aparato solo.

3 Instalación del aparato



ADVERTENCIA

¡Peligro de incendio a consecuencia de un cortocircuito!
Si los cables de red/conectores del aparato o de otro aparato entran en contacto con la parte trasera del mismo, los cables de red/conectores pueden sufrir daños debido a las vibraciones del aparato y se puede producir un cortocircuito.

- Coloque el aparato de tal forma que no entre en contacto con ningún conector o cable de red.
- No conecte el aparato ni otros aparatos en cajas de enchufe situadas en el área de la parte trasera del aparato.

Instalación del aparato



ADVERTENCIA

Riesgo de incendio derivado de la humedad
Si las piezas conductoras de electricidad o la línea de alimentación eléctrica se humedecen, puede producirse un cortocircuito.

- ▶ El aparato está diseñado para utilizarse en espacios cerrados. No ponga en funcionamiento el aparato en un lugar al aire libre, expuesto a la humedad ni a las salpicaduras de agua.
- ▶ Utilice el aparato sólo cuando esté instalado.



ADVERTENCIA

Riesgo de incendio derivado del refrigerante
El refrigerante R 600a contenido es respetuoso con el medioambiente pero inflamable. Las salpicaduras de refrigerante pueden inflamarse.

- ▶ No dañe las tuberías del circuito frigorífico.



ADVERTENCIA

Peligro de incendio y de sobrecalentamiento

- ▶ No coloque aparatos que emiten calor como, por ej. microondas, tostadoras etc. sobre el aparato.

AVISO

Riesgo de daños derivado de agua de condensación
Si el aparato Liebherr se instala cerca de otro frigorífico o congelador, la formación de agua de condensación puede producir daños.

- ▶ No instale el aparato cerca de otro frigorífico o congelador, a menos que se trate de aparatos fabricados por Liebherr. Los aparatos Liebherr son aptos para montarse en el modo Side-by-Side. Disponen de un dispositivo de calentamiento que elimina el agua de condensación cuando se instalan frigoríficos o congeladores próximos entre sí.

AVISO

¡Existe riesgo de que el suelo del mueble sufra daños!

- ▶ Proteja el suelo cubriéndolo antes de retirar el embalaje del aparato.



ADVERTENCIA

Peligro de daños por sobrecalentamiento, limitaciones funcionales.

- ▶ Mantener libres de obstrucciones las aberturas de ventilación, en la envoltura del aparato o en la estructura empotrable.

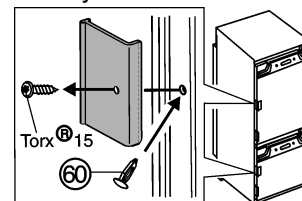


ADVERTENCIA

Peligro de vuelco

- ▶ Con el fin de evitar peligros a causa de la inestabilidad del aparato, éste se debe fijar según las instrucciones.

- ❑ Permita que un profesional se encargue del montaje del aparato en el mueble de cocina.
- ❑ Si existe algún daño en el aparato, consulte de inmediato - antes de conectarlo - al proveedor.
- ❑ El suelo del lugar de instalación debe ser horizontal y liso.
- ❑ No coloque el aparato en una zona de radiación solar directa, ni junto a la cocina, la calefacción o similares.
- ❑ No coloque solo el aparato, sino con dos o más personas.
- ❑ Cuanto más refrigerante R 600a haya en el aparato, más grande deberá ser el recinto en el que se encuentre el aparato. En recintos demasiado pequeños se puede formar una mezcla inflamable de gas y aire al producirse una fuga. Por cada 0.39 oz (11 g) de refrigerante R 600a, el lugar de instalación debe tener al menos 35.5 ft³ (1 m³) según la norma EN 378. La cantidad de refrigerante de su aparato figura en la placa de identificación situada en el interior del aparato.
- ❑ Si el aparato se instala en un entorno muy húmedo, en la parte exterior del aparato se puede formar agua de condensación. Preste siempre atención a que exista una buena ventilación y escape de aire en el lugar de instalación.
- ❑ La capacidad de carga del suelo debe admitir el peso del aparato, además de aprox. 1200 pounds (544 kg) correspondientes al peso de los alimentos.
- ❑ La caja de enchufe eléctrico debe estar en la debida posición y el fusible ha de ser el correcto.
- ❑ No limite la ventilación ni la salida de aire. Para el funcionamiento del aparato, es necesario disponer de suficiente ventilación y salida de aire. La rejilla de aire disponible en el lado de operación proporciona una sección de ventilación adecuada en el aparato de 31 in.² (200 cm²). En caso de sustituir la rejilla de aire por un panel, éste debe tener una sección de ventilación del mismo tamaño, como mínimo, o mayor que la rejilla del fabricante.
- ▶ Anote el tipo (modelo, número), la denominación del aparato, el número de serie/aparato, la fecha de compra y la dirección del distribuidor en los campos correspondientes del manual de uso y cuidado.
- ▶ Retire todos los materiales de la parte trasera o de las paredes laterales del aparato que puedan obstaculizar la correcta instalación o ventilación y salida de aire.
- ▶ Desatornille la protección roja para el transporte. Cierre el agujero de fijación desocupado con el tapón (60).



Después del montaje:

- ▶ Retire las láminas protectoras, cintas adhesivas y piezas de protección para el transporte, etc.

Nota

- ▶ Limpie el aparato (**consulte las instrucciones de manejo, capítulo "Limpiar el aparato"**).

4 Medidas del aparato

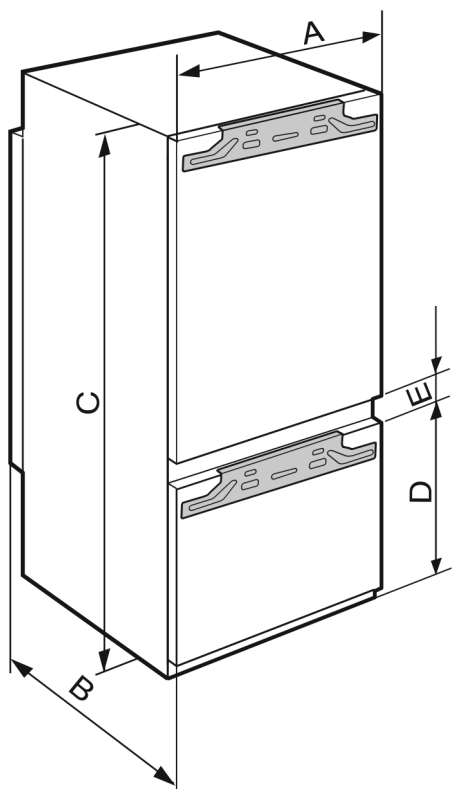


Fig. 1

	pulgadas	mm
A	22 pulg.	559 mm
C	21 7/16 pulg.	544 mm
C	69 11/16 pulg.	1770 mm
D	27 3/8 pulg.	695 mm
E	5/8 pulg.	15 mm

5 Medidas del habitáculo

El aparato es empotrable y, por lo tanto, se puede integrar completamente en un mueble de cocina. El mueble de cocina correspondiente debe tener las medidas de montaje especificadas y disponer de suficiente ventilación y escape de aire para garantizar el correcto funcionamiento del aparato.

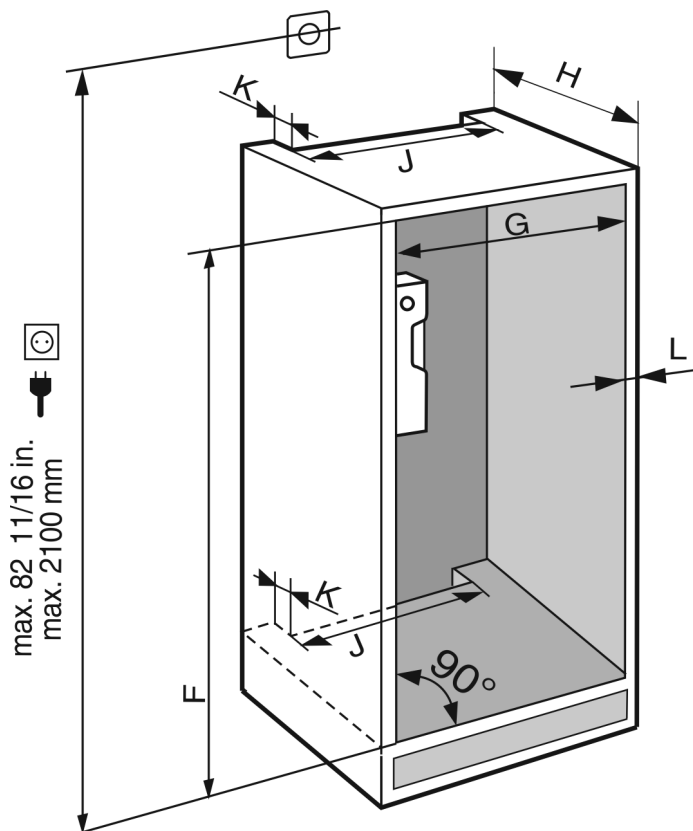
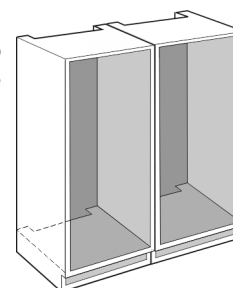


Fig. 2

	pulgadas	mm
F	69 3/4 — 70 3/8	1772 — 1788
G	22 — 22 3/4	560 — 578
H	Mín. 21 5/8, se recomienda 22	Mín. 550, se recomienda 560
J	Mín. 19 11/16	Mín. 500
K	Mín. 1 5/8	Mín. 40
L	Máx. 3/4	Máx. 19

El consumo de energía declarado se ha calculado con una profundidad de mueble de cocina de 560 mm. El aparato funciona perfectamente con una profundidad de mueble de cocina de 550 mm, pero su consumo de energía es ligeramente superior.

- En el montaje Side-by-Side, instale los dos aparatos uno junto a otro, cada uno en un mueble de cocina aparte.



- Compruebe el grosor de pared del mueble contiguo: debe ser de como mín. 5/8 in. (16 mm).
- Instale el aparato únicamente en muebles de cocina estables. Proteja los muebles contra vuelco.

Puerta del mueble

- ▶ Alinee el mueble de cocina con un nivel de burbuja y una escuadra y, si es necesario, equilíbrela utilizando suplementos.
- ▶ Asegúrese de que el suelo forme un ángulo recto con las paredes laterales del mueble.

6 Puerta del mueble

- Para el mueble de cocina se necesitan dos puertas: una superior para el compartimiento frigorífico y otra inferior para el compartimiento congelador.
- Las puertas deben tener un grosor mínimo de 5/8 in. (16 mm) y máximo de 3/4 in. (19 mm).
- Si ambas puertas están cerradas, la ranura entre la puerta superior y la inferior debe tener como mínimo 1/8 in. (3 mm) de altura.
- La ranura entre las puertas del mueble debe estar nivelada con la ranura entre las puertas del aparato.
- Debe haber una ranura de como mínimo 1/8 in. (3 mm) de altura entre la puerta y la puerta del armario situada encima (si existe).
- La anchura de las puertas del mueble depende del estilo de la cocina y del tamaño de la ranura entre los paneles de la puerta del armario. En términos generales, se debe dejar una ranura vertical de 1/8 in. (3 mm) entre las puertas del mueble.
- Los cantos superiores de la puerta superior y la puerta inferior deben estar alineados con las puertas del armario (o armarios) contiguo(s) en caso de que haya disponibles otros armarios.

- Las puertas de mueble deben ser planas y se han de montar sin tensión.

AVISO

¡Peligro de daños a consecuencia de una puerta de mueble demasiado pesada!

Si la puerta del mueble es demasiado pesada, se pueden producir daños en las bisagras, así como errores de funcionamiento.

- ▶ Antes de montar la puerta del mueble, asegúrese de que no se supera el peso máximo permitido de la puerta del mueble.

Tipo de aparato	Peso máximo de la puerta del mueble	
	Puerta del compartimiento frigorífico	Puerta del compartimiento congelador
HC 1021, HC 1030, HC 1050B, HCB 1060, HC 1070, HC 1080	30,5 lbs (14 kg)	26,5 lbs (12 kg)

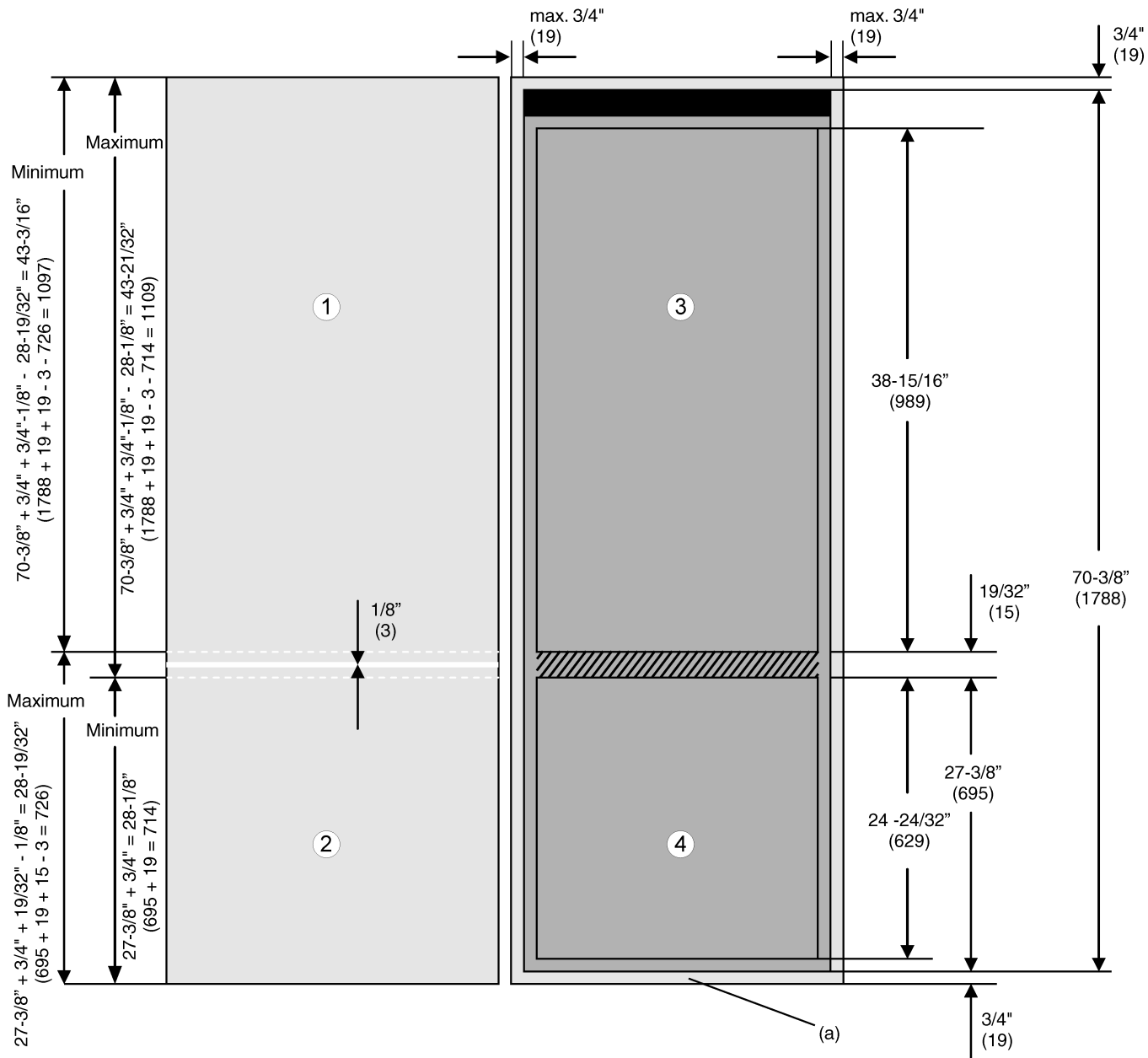


Fig. 3

La **altura de la puerta del congelador** es de 24-24/32 in. (629 mm).

► Para cubrir la sección inferior del aparato: aumente la altura del panel a 27-3/8 in. (695 mm).

El grosor de la base es normalmente de 3/4 in. (19 mm).

► Para cubrir la parte frontal de la base Fig. 3 (a): aumente la altura del panel a 27-3/8 in. + 3/4 in. = 28-1/8 in. (695 mm + 19 mm = 714 mm).

Si todavía no se han montado las puertas del mueble, debe haber una ranura entre la puerta del compartimiento congelador Fig. 3 (4) y la puerta del compartimiento frigorífico Fig. 3 (3) de 19/32 in. (15 mm). Después de montar las puertas del mueble, debe haber una ranura entre ambas puertas Fig. 3 (1,2) de aprox. 1/8 in. (3 mm) y ésta se debe situar dentro de la superficie sombreada.

Rectifique la altura de puerta definitiva en función de la altura de la ranura de la puerta de los muebles de cocina que se encuentran a la derecha y a la izquierda junto al armario de montaje del aparato.

En caso de que haya otros armarios junto al mueble de montaje del aparato, normalmente existe una ranura entre dos cajones o puertas. Una vez montada la cocina, estas ranuras tienen una anchura aproximada de 1/8 in. (3 mm).

► En este caso, aumente la altura del panel a 27-3/8 in. + 3/4 in. + 19/32 in. - 1/8 in. = 28-19/32 in. (695 mm + 19 mm + 15 mm - 3 mm = 726 mm).

La altura de la **hoja de la puerta del frigorífico** se calcula como se indica a continuación:

Cambiar el tope de puerta

- En lugar de montar la sección de ventilación superior directamente sobre el aparato con una rejilla de aire opcional *Fig. 6 (C)*, se puede instalar cerca del techo sobre el mueble *Fig. 6 (D)* o como rejilla para la salida del aire en un falso techo *Fig. 6 (E)*.

La ventilación inferior a través del fondo del mueble de cocina se puede practicar con la rejilla de aire *Fig. 7 (3)* suministrada o mediante un orificio de ventilación con un área de sección transversal de al menos 31 in² (200 cm²). Si utiliza la rejilla de aire *Fig. 7 (1)* suministrada, proceda de la siguiente manera:

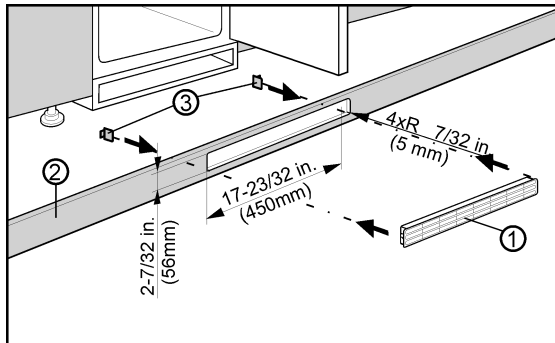


Fig. 7

- ▶ En el fondo del mueble de cocina, corte un orificio de entrada de aire de 17-23/32 in. (450 mm) de ancho y 2-7/32 in. (56 mm) de alto.
- ▶ Instale la rejilla de aire *Fig. 7 (1)* en el hueco del fondo del mueble de cocina *Fig. 7 (2)*.
- ▶ Inserte los conectores de resorte *Fig. 7 (3)* por detrás en la rejilla hasta que los ganchos toquen el fondo del mueble de cocina.
- ▶ Monte el fondo del mueble de cocina (con la rejilla de aire cerrada) en el mueble de cocina.

8 Cambiar el tope de puerta*



ADVERTENCIA

¡Peligro de lesión debido a que se puede caer la puerta! Si no están instalados las piezas de fijación con el momento de torsión adecuado, la puerta caer. Además, puede ocurrir que la puerta no cierre y el aparato no refrigere correctamente.

- ▶ Atornille las bisagras y la rótula esférica del amortiguador de cierre con 3 libras-pie (4 Nm).
- ▶ Apriete el soporte del amortiguador de cierre apriételos firmemente con 2.5 lb-ft (3 Nm).
- ▶ Compruebe y, dado el caso, vuelva a apretar todos los tornillos.

Nota

El tope de la puerta sólo se puede cambiar si hay suficiente espacio hacia arriba para extraer la escuadra de fijación de la bisagra y volver a montarla en el lado opuesto. Éste no es generalmente el caso después del montaje en el habitáculo.

- ▶ Cambie el tope de la puerta antes de instalar el aparato en el habitáculo.

	En este paso existe peligro de lesiones. Tenga en cuenta las indicaciones sobre la seguridad.
	Las instrucciones son válidas para varios modelos. Realice este paso únicamente si se aplica a su aparato.
	Elija entre las alternativas presentadas.
	Suelte sólo los tornillos, no los desenrosque.
	Compruebe el atornillamiento y, dado el caso, vuelva a apretar los tornillos.

Herramientas necesarias:

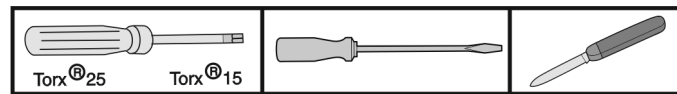


Fig. 8

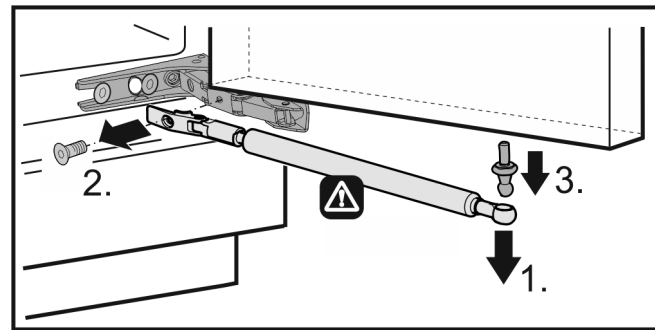


Fig. 9



ATENCIÓN

¡Peligro de lesiones cuando el amortiguador de cierre se retrae!

- ▶ Desmonte con cuidado el amortiguador de cierre.
- ▶ Retirar el amortiguador de cierre: retire el amortiguador de cierre de la rótula esférica (1) y desatornille el soporte (2). Desmonte la rótula esférica con el destornillador (3).

Cambiar el tope de puerta

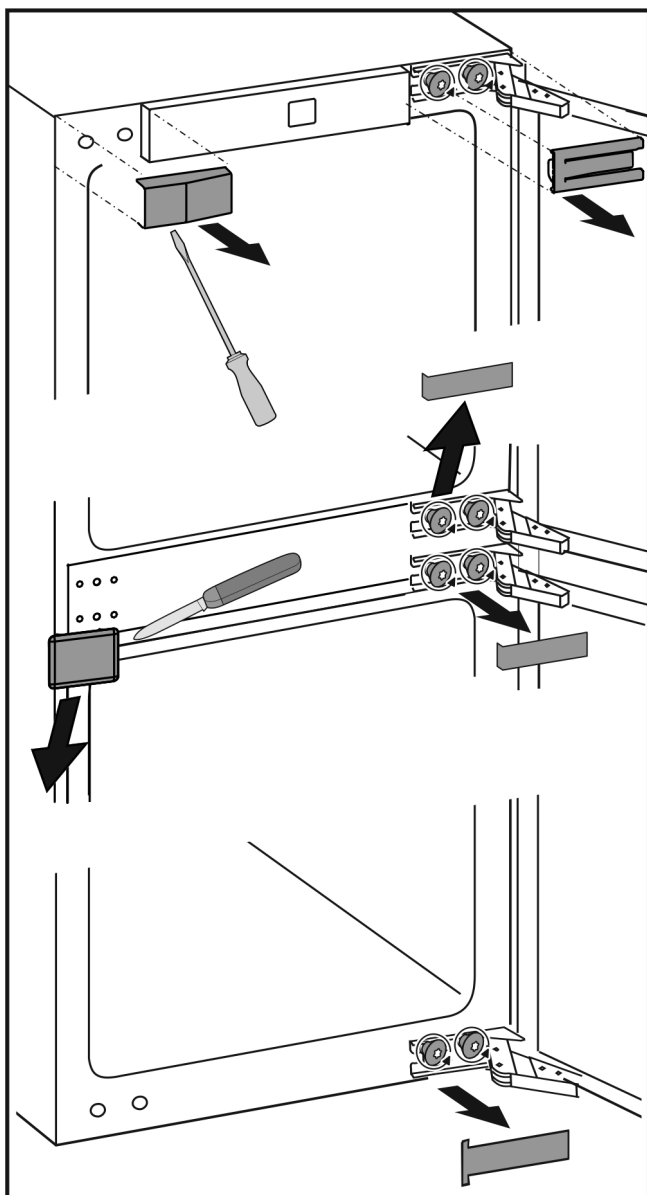


Fig. 10
► Retire las cubiertas.

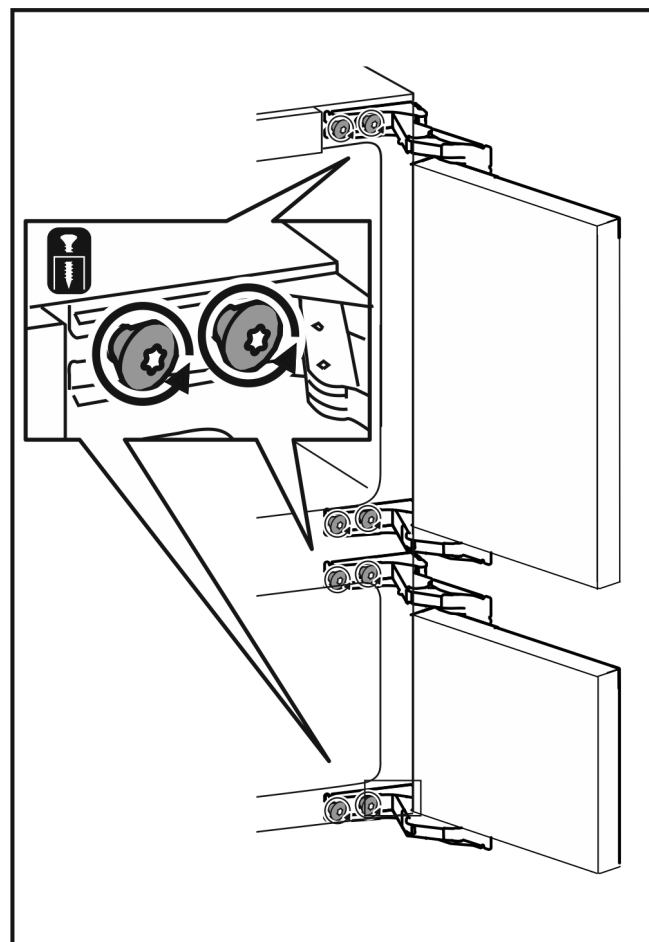


Fig. 11
► Suelte los tornillos en las bisagras sin desenroscarlos.

Cambiar el tope de puerta

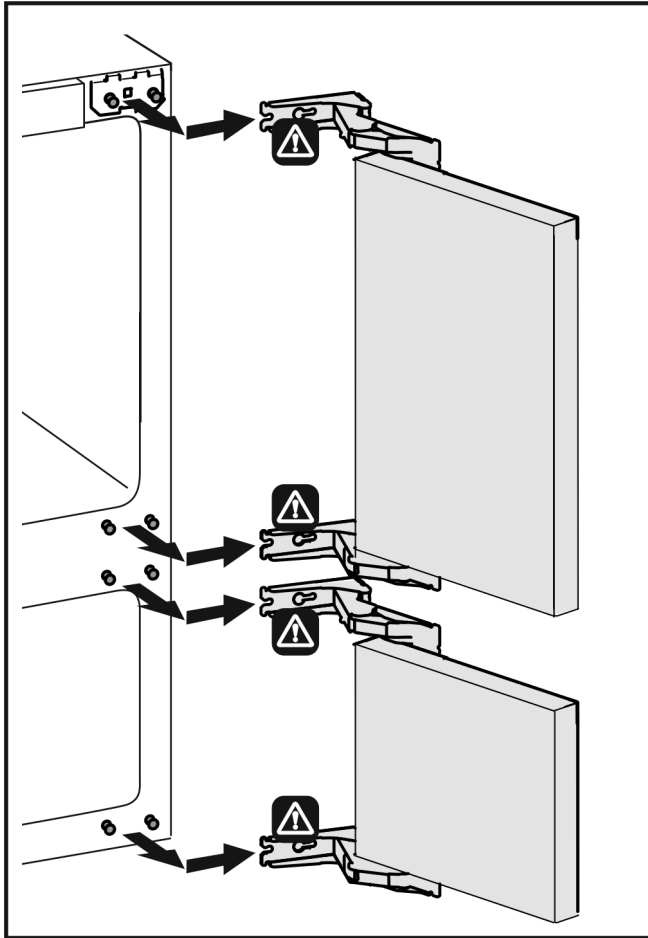


Fig. 12



ATENCIÓN

¡Peligro de lesiones cuando las bisagras se pliegan!

- ▶ Deje abiertas las bisagras.
- ▶ Retirar la puerta: deslice la puerta hacia delante y hacia fuera, desengánchela y colóquela a un lado.

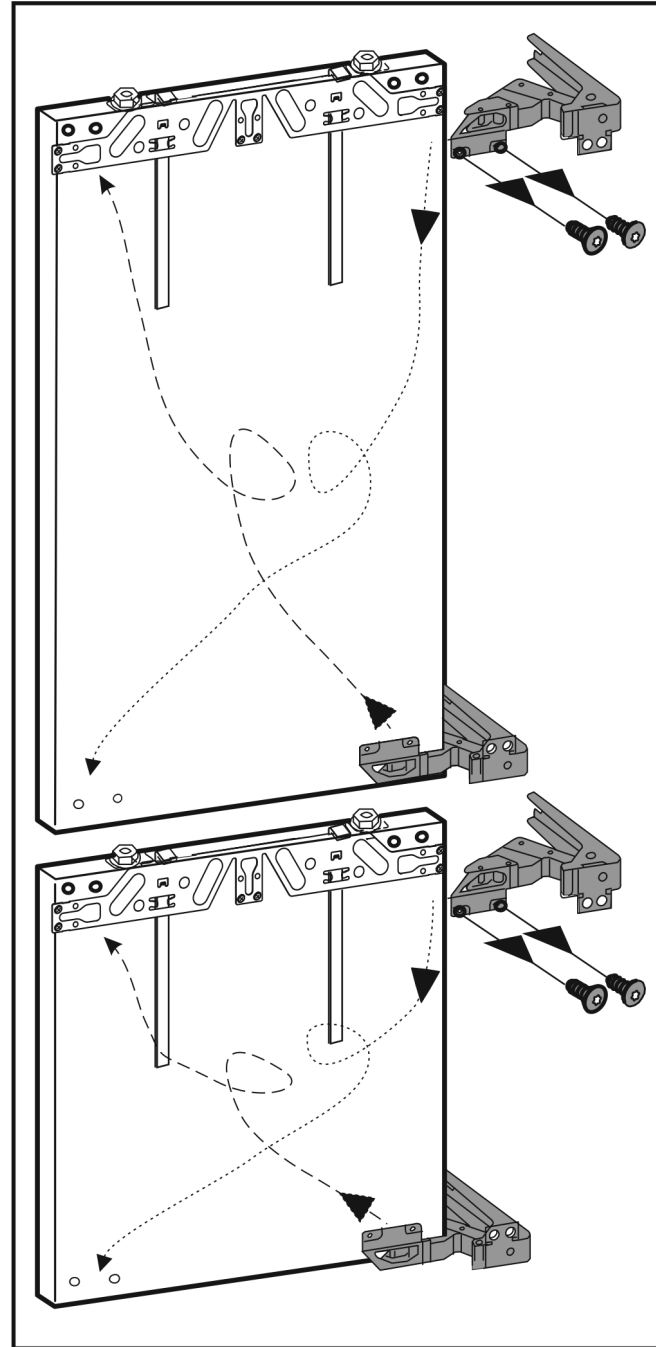


Fig. 13

- ▶ Cambie de sitio las bisagras.

Cambiar el tope de puerta

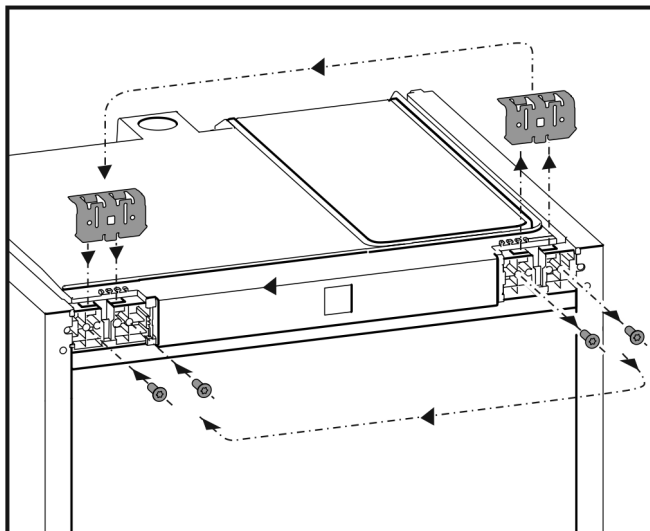


Fig. 14

- Cambie al lado opuesto la escuadra de fijación.

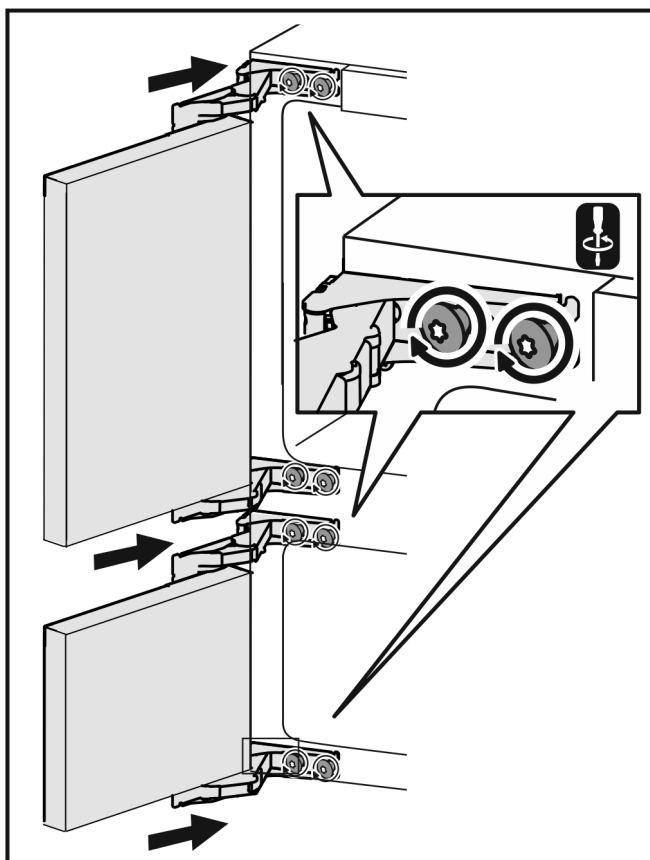


Fig. 15

- Montar de nuevo la puerta: enganche la puerta con las bisagras y apriete los tornillos.

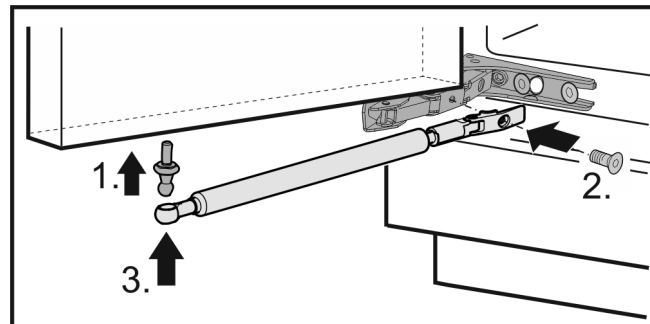


Fig. 16

- Montar de nuevo el amortiguador de cierre: atornille la rótula esférica (1), atornille el soporte (2) y enganche el amortiguador de cierre en dicha rótula.

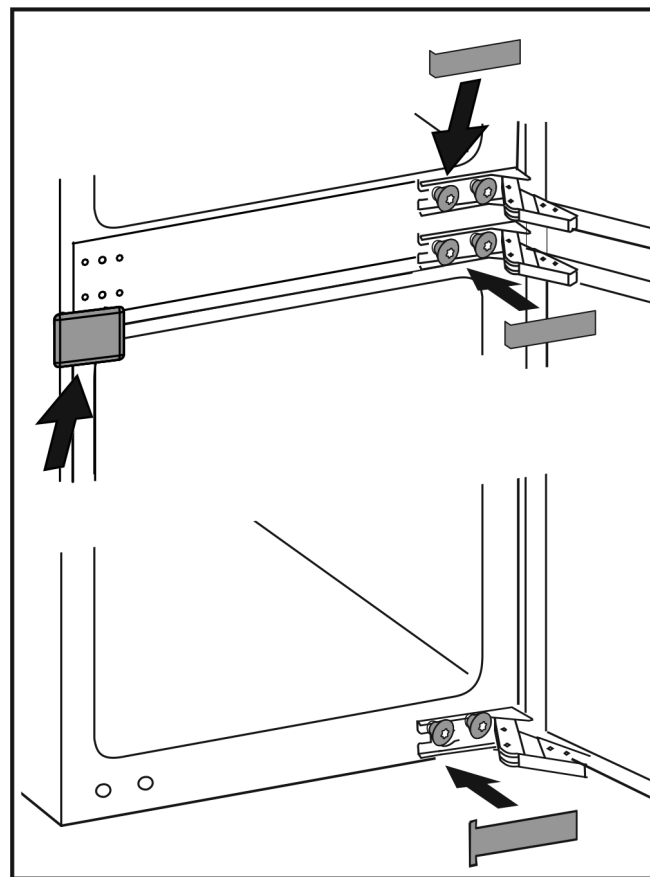


Fig. 17

- Compruebe, dado el caso, vuelva a apretar todos los tornillos.
- Vuelva a montar todas las cubiertas excepto la superior izquierda y la superior derecha. Vuelva a montar las cubiertas superiores después del montaje en el mueble.

9 Conexión de agua*



ADVERTENCIA

Peligro de descarga eléctrica

- ▶ Desconecte el aparato de la toma de corriente antes de conectarlo a la tubería de agua.
- ▶ Corte el suministro de agua antes de conectar las tuberías de alimentación de agua del fabricante automático de cubitos de hielo.
- ▶ La conexión a la red de agua potable debe ser realizada únicamente por un instalador de gas y agua cualificado.



ADVERTENCIA

¡Peligro de intoxicación!

- ▶ La calidad del agua debe cumplir el reglamento sobre agua potable del país respectivo en el que se está utilizando el aparato.
- ▶ Conecte el aparato exclusivamente al suministro de agua potable.
- ▶ El IceMaker sirve únicamente para fabricar cubitos de hielo en pequeñas cantidades y debe funcionar con agua adecuada para ello.

Presión del agua:

psi	MPa (bar)
21,76 a 87,02	0,15 a 0,6 (1,5 a 6)

- La alimentación de agua al aparato se debe realizar mediante una tubería de agua fría que resista la presión de funcionamiento y cumpla las normas de higiene.
- Todos los aparatos y dispositivos que se utilizan para la alimentación de agua deben cumplir las normas vigentes del país respectivo.
- La electroválvula se encuentra en la parte inferior trasera del aparato. Tiene una rosca métrica de conexión R3/4.
- Utilice una **tubería de cobre de 1/4" OD** para conectar el suministro de agua con la electroválvula. **Esta tubería no se incluye en el suministro.**
- Con el IceMaker se suministra una pieza de unión entre la rosca métrica de conexión R3/4 y la tubería de cobre de 1/4" OD.

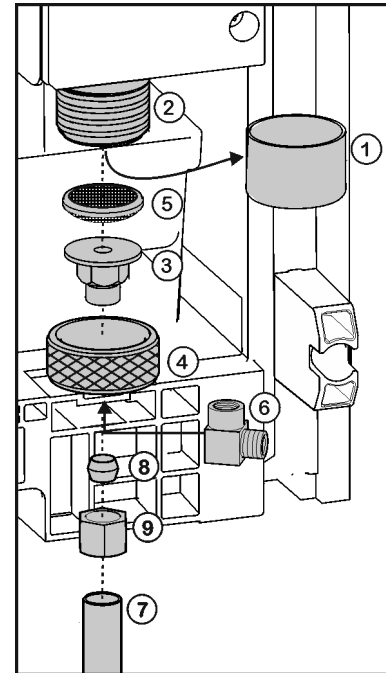


Fig. 18

- ▶ Retire el tapón Fig. 18 (1) de la electroválvula Fig. 18 (2).
- ▶ Introduzca la pieza de unión Fig. 18 (3) en la tuerca de racor Fig. 18 (4).
- ▶ Coloque el filtro de agua Fig. 18 (5) con la parte hundida hacia abajo en la dirección de la pieza de unión Fig. 18 (3).

AVISO

¡Peligro de daños en el filtro de agua!

Si el filtro se coloca invertido, puede sufrir daños.

- ▶ Coloque el filtro con la parte hundida en la dirección de la pieza de unión.

- ▶ Conecte la tuerca de racor Fig. 18 (4) en la electroválvula Fig. 18 (2) y apriétela.

AVISO

¡Peligro de daños en la rosca!

- ▶ No apriete demasiado la tuerca de racor.

- ▶ Para desviar 90° la conexión de agua, dado el caso, atornille la pieza angular Fig. 18 (6).

- ▶ Conecte la tubería de agua Fig. 18 (7) (por ejemplo, cobre) con la ayuda del anillo de apriete Fig. 18 (8) y la tuerca Fig. 18 (9) en la pieza de unión Fig. 18 (3) o la pieza angular Fig. 18 (6).

Instalar el aparato en el habitáculo

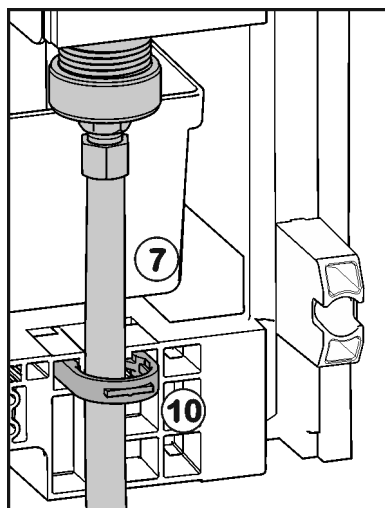


Fig. 19

- ▶ Dado el caso, fije la tubería de agua Fig. 19 (7) con el estribo de retención Fig. 19 (10) en la carcasa.
Antes del montaje en el habitáculo:
- ▶ Compruebe la estanqueidad de todo el sistema de agua.
Antes de la primera puesta en funcionamiento:
- ▶ Un profesional competente debe purgar la tubería de agua.

AVISO

- ¡Avería funcional de la alimentación de agua!
Si durante el funcionamiento se bloquea la alimentación de agua y el IceMaker continúa funcionando, el tubo de alimentación de agua se puede helar.
- ▶ Desconecte el IceMaker si se interrumpe la alimentación de agua (por ejemplo, en vacaciones).

10 Instalar el aparato en el habitáculo



ADVERTENCIA

- ¡Peligro de incendio a consecuencia de un cortocircuito!
- ▶ Al introducir el aparato en el habitáculo, no aplaste, aprisione ni dañe la línea de alimentación eléctrica.
 - ▶ No utilice el aparato con una línea de alimentación eléctrica defectuosa.

AVISO

- ¡Existe riesgo de que las bisagras sufran daños!
Si el aparato se agarra por la puerta al desplazarlo, las bisagras pueden resultar dañadas.
- ▶ Al desplazar y mover el aparato, agárrelo siempre por el cuerpo.

Para el montaje en el habitáculo, están disponibles los siguientes accesorios a través del servicio postventa:

Juego para limitar el ángulo de apertura de la puerta a 90°	
Juego para montar frentes de muebles divididos	
Juego con cubiertas para bisagras de cazoleta	

	En este paso existe peligro de lesiones. Tenga en cuenta las indicaciones sobre la seguridad.
	Las instrucciones son válidas para varios modelos. Realice este paso únicamente si el aparato está equipado con la función correspondiente.
	Elija entre las alternativas presentadas.
	Suelte sólo los tornillos, no los desenrosque.
	Compruebe el atornillamiento y, dado el caso, vuelva a apretar los tornillos.

Con el aparato se suministran las siguientes piezas de montaje:

Instalar el aparato en el habitáculo

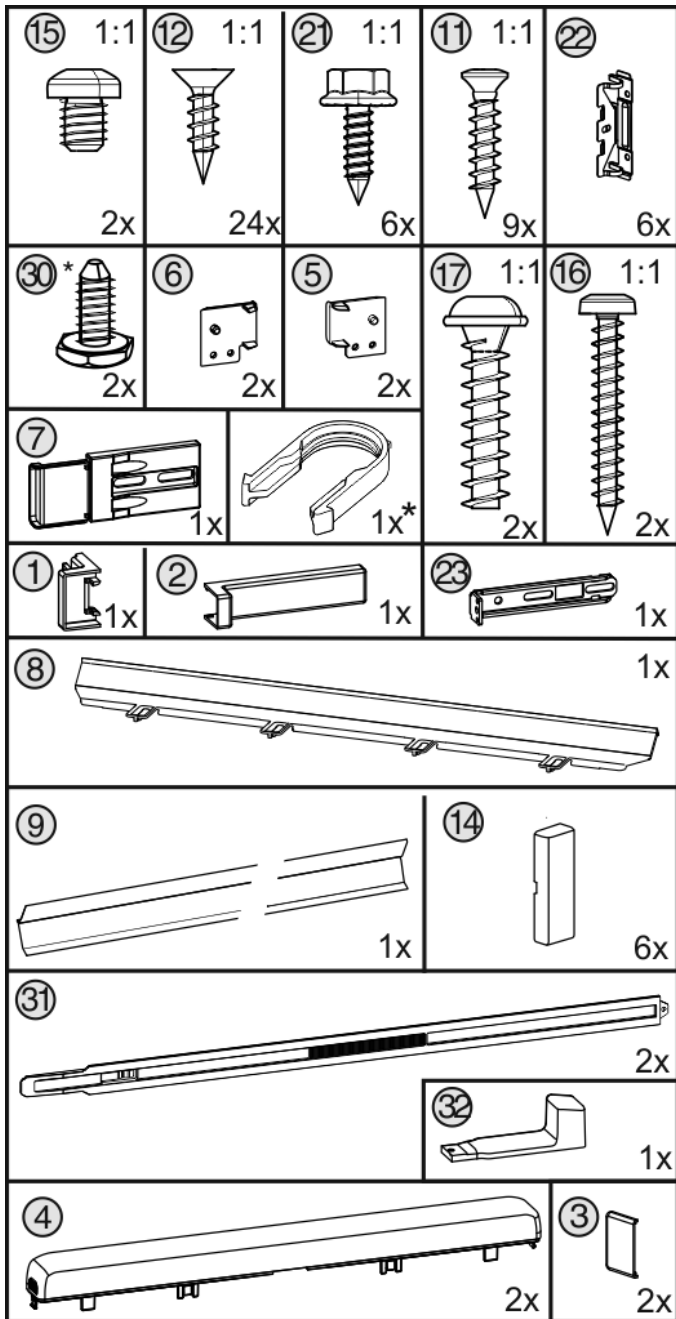


Fig. 20

Con el aparato se suministran las siguientes herramientas:



Fig. 21

Además, se necesitan las siguientes herramientas:

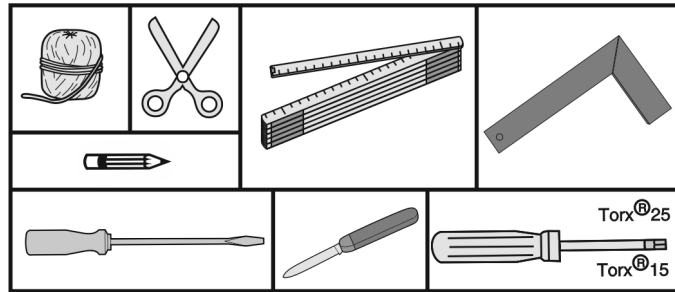


Fig. 22

Con una profundidad de mueble inferior a 21-3/4 in. (553 mm), desmonte los distanciadores en la parte trasera del aparato para poder introducirlo por completo en el habitáculo. La retirada de los distanciadores puede provocar un mayor consumo de energía, ya que disminuye la sección de ventilación.

► Suelte el tornillo y retire los distanciadores.

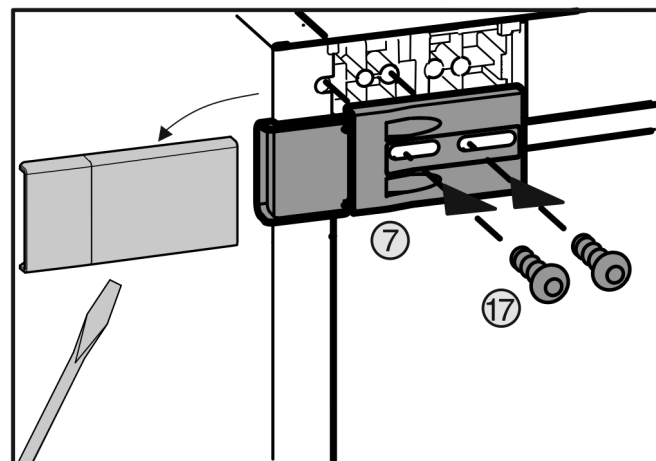
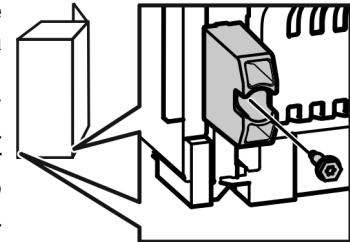


Fig. 23

► Retire la cubierta superior izquierda y atornille ligeramente la escuadra de fijación.

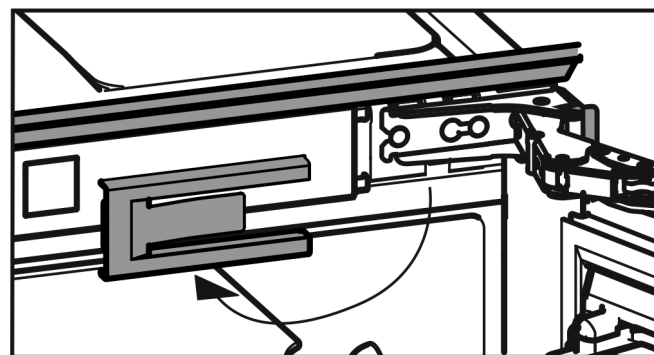


Fig. 24

► Retire la cubierta.

Instalar el aparato en el habitáculo

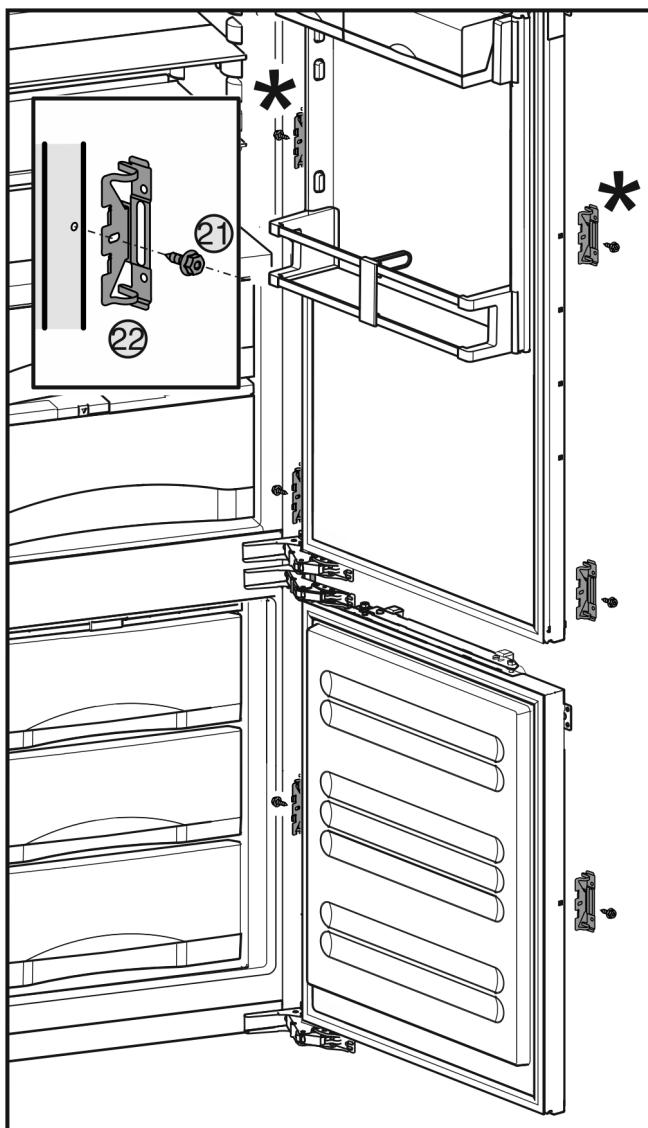


Fig. 25

- Monte la escuadra de acero para muelles. Si la puerta del compartimento frigorífico es muy grande, utilice dos pares de escuadras de acero para muelles.

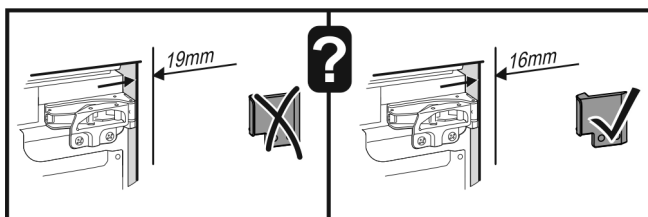


Fig. 26

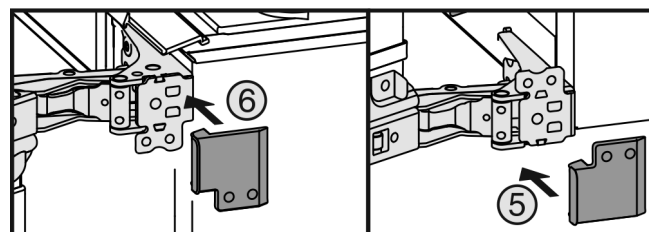


Fig. 27

Si las paredes laterales del mueble tienen 5/8 in. (16 mm) de grosor:

- Sujete las piezas distanciadoras en todas las bisagras.
- Retire la cubierta superior izquierda y atornille ligeramente la escuadra de fijación.

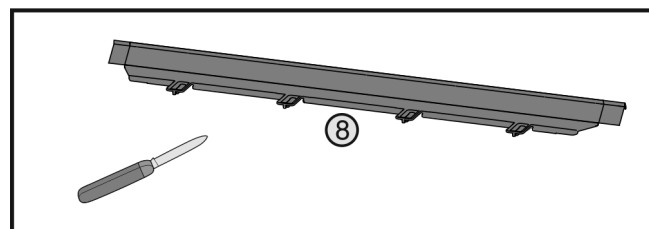


Fig. 28

Si el habitáculo tiene 22 3/4 in. (578 mm) de ancho:

- Acorte el panel de compensación por el lado de la bisagra en la tuerca con una cuchilla.
- Si el habitáculo tiene 22 in. (560 mm) de ancho:
- Acorte el panel de compensación por ambos lados en la respectiva tuerca con una cuchilla.

Instalar el aparato en el habitáculo

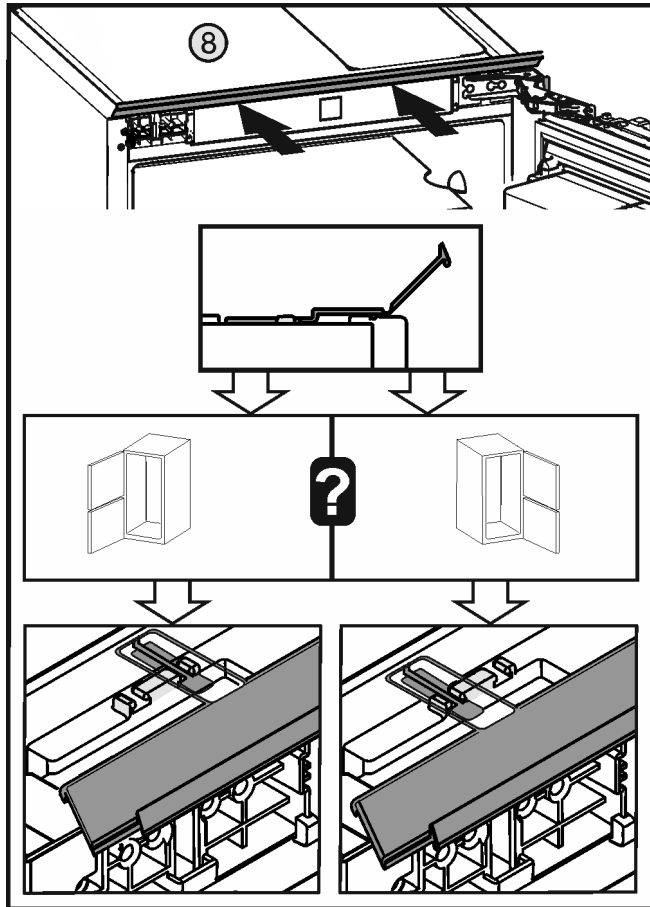


Fig. 29

- ▶ Monte el panel de compensación en el techo del aparato. Si la bisagra se encuentra a la izquierda, inserte el panel de compensación en los ganchos derechos. Si la bisagra se encuentra a la derecha, inserte el panel de compensación en los ganchos izquierdos.

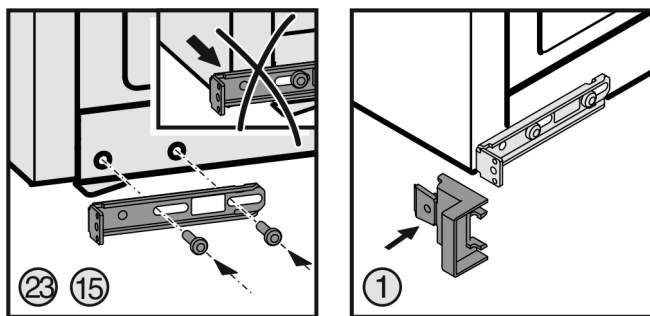


Fig. 30

- ▶ Atornille la escuadra de fijación inferior izquierda de tal forma que no sobresalga de la pared lateral.
- ▶ Sujete la pieza de tope en la escuadra.

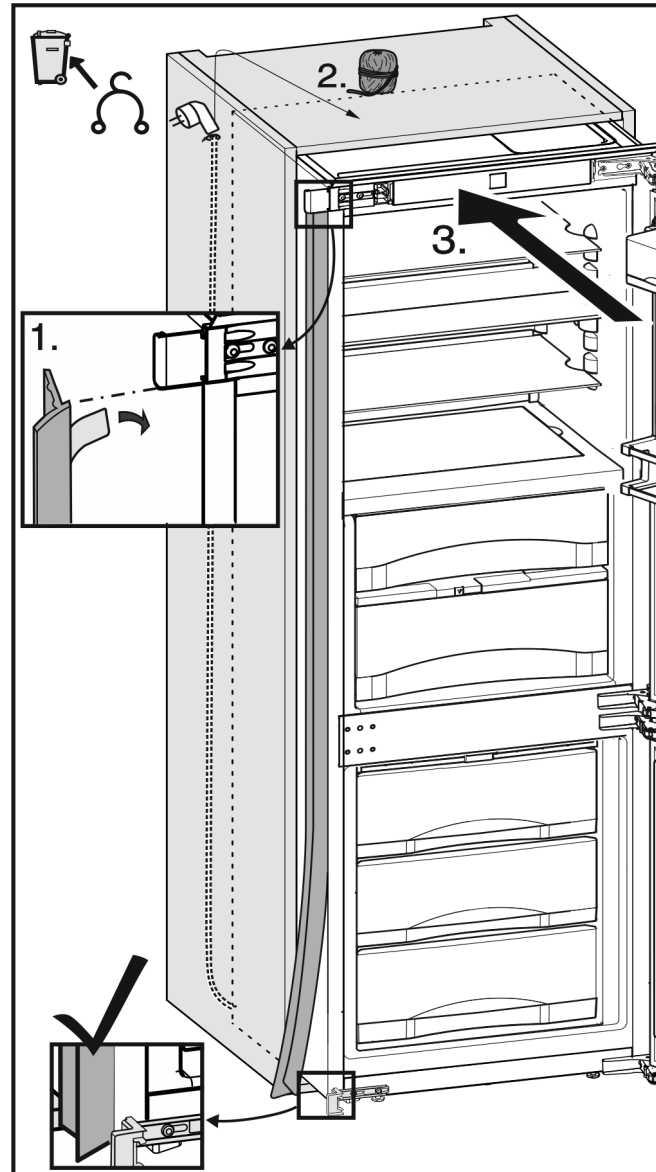


Fig. 31

- ▶ Montar el burlete: colóquelo en la parte superior por debajo de la escuadra y péguelo en la pared lateral. No se debe acortar el burlete.
- ▶ Retire el soporte de cable de red e instale el cable de red hacia arriba con la ayuda de un hilo.
- ▶ Introduzca el aparato hasta dos tercios en el mueble.

Instalar el aparato en el habitáculo

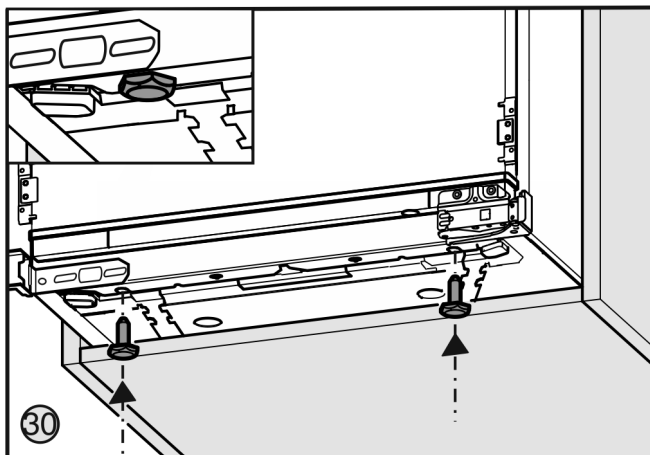


Fig. 32

- Monte las patas de ajuste inferiores en el fondo del aparato.

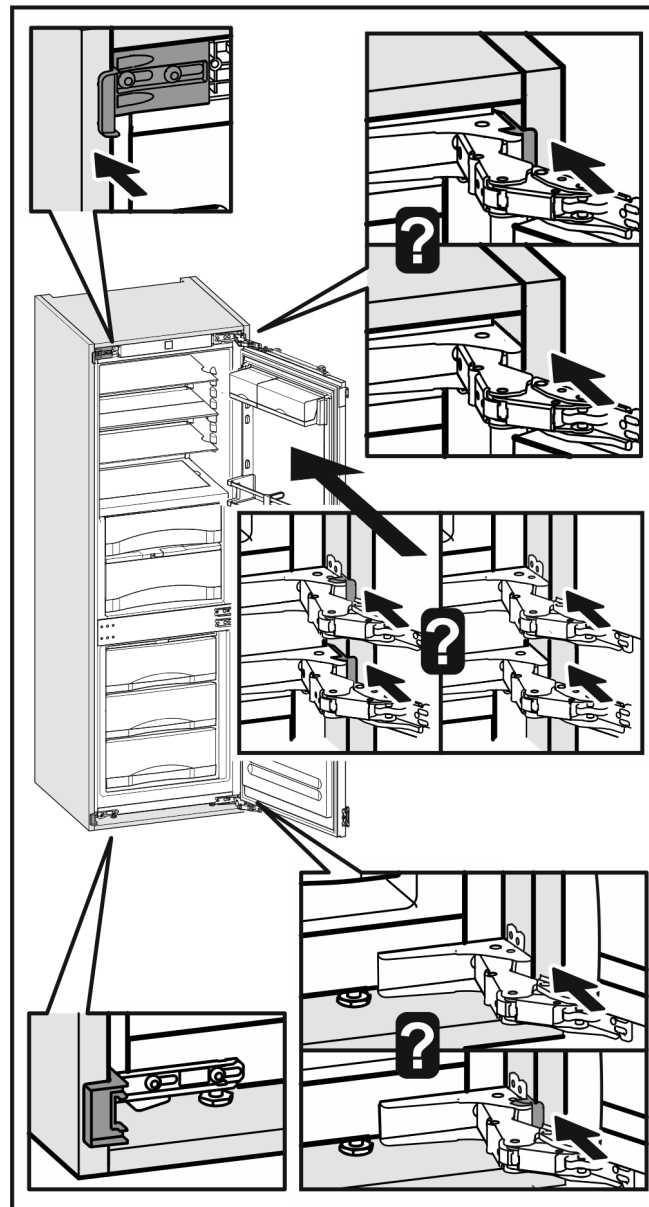


Fig. 33

- Introduzca el aparato hasta que la escuadra en el lado de tirador superior y la pieza de tope en la parte inferior alcancen la parte delantera de la pared lateral del mueble. Si las paredes laterales del mueble tienen 5/8 in. (16 mm) de grosor, también deben entrar en contacto las piezas distanciadoras en el lado de la bisagra. Si las paredes laterales del mueble tienen 5/8 in. (16 mm) de grosor, alinee los cantos delanteros de las bisagras a ras de la parte delantera de la pared lateral del mueble.

Instalar el aparato en el habitáculo

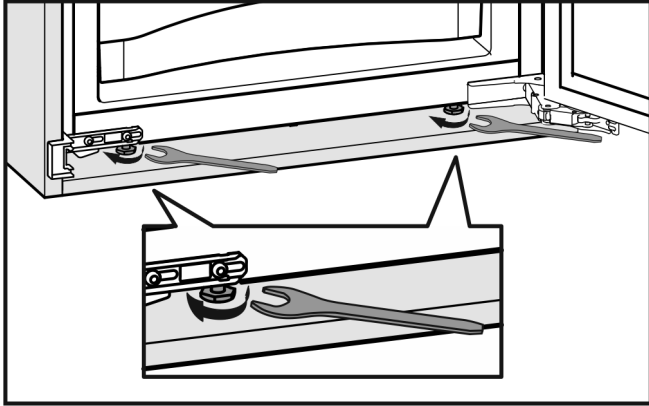


Fig. 34

- Dado el caso, alinee el aparato con las patas de ajuste.

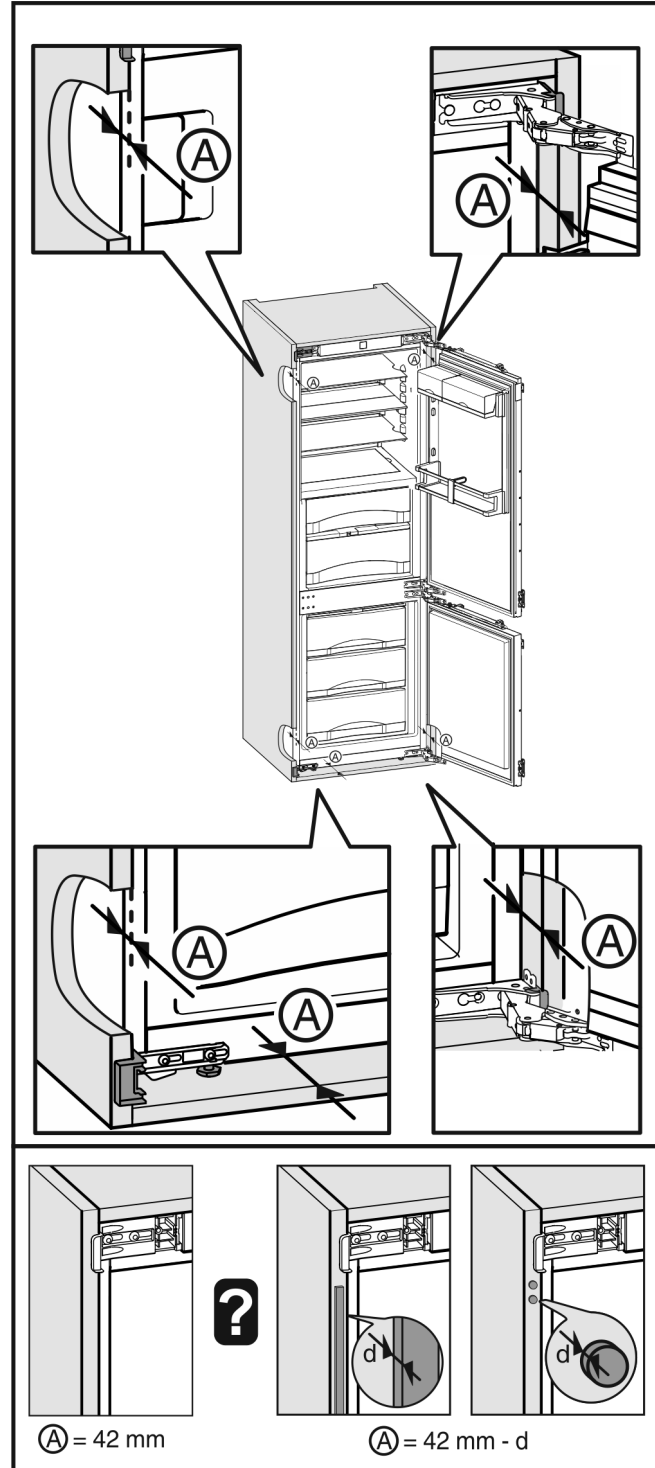


Fig. 35

- Comprobar la profundidad de inserción (A): la distancia desde el canto delantero del mueble hasta el cuerpo del aparato debe ser de 1-21/32 " (42 mm) en todo el perímetro. Dado el caso, tenga en cuenta las piezas de tope del mueble (d).

Instalar el aparato en el habitáculo

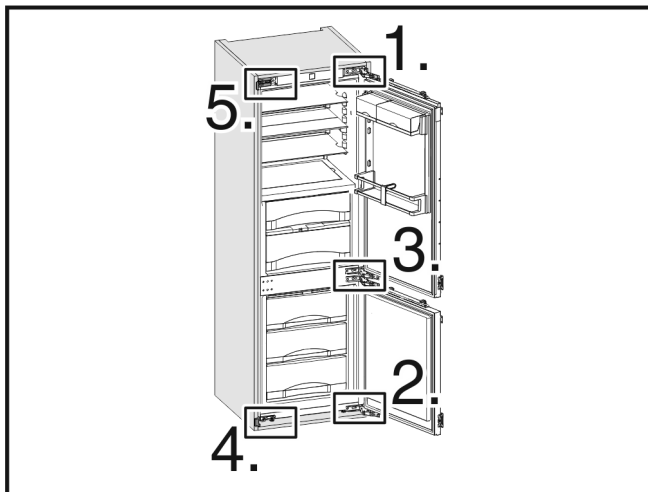


Fig. 36

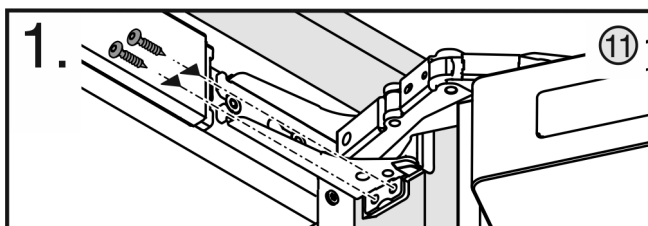


Fig. 37

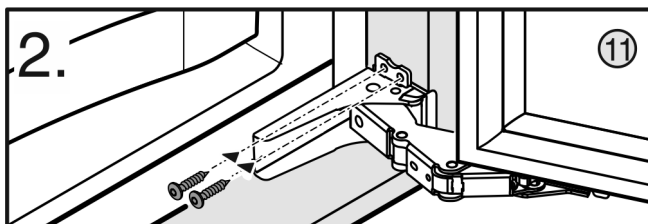


Fig. 38

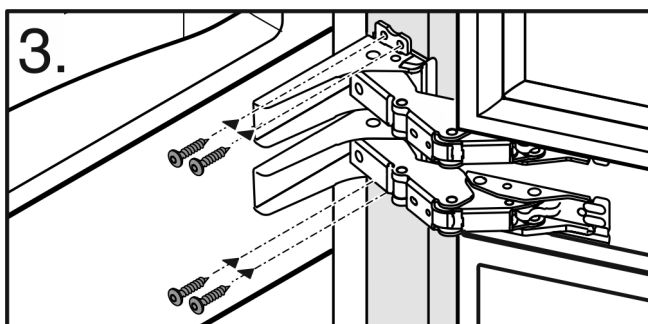


Fig. 39

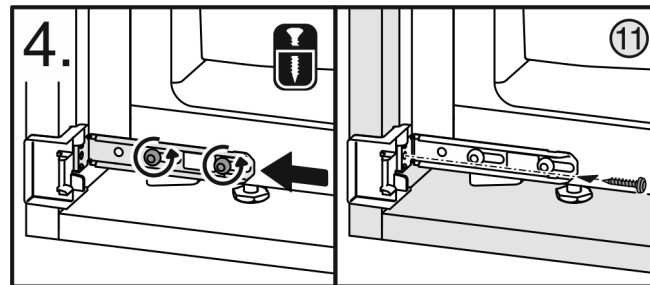


Fig. 40

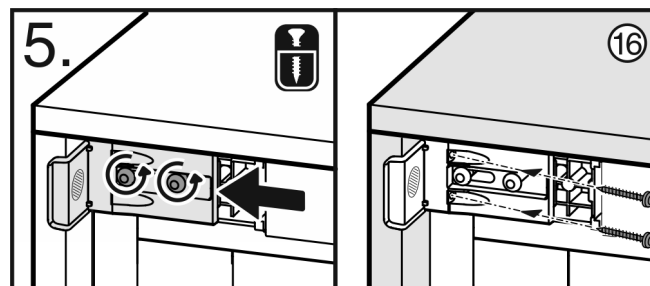


Fig. 41

- Fije el aparato en el habitáculo, primero en el lado de la bisagra superior y luego en el inferior y central. Después, haga lo mismo en el lado del tirador inferior y, por último, en el lado del tirador superior.

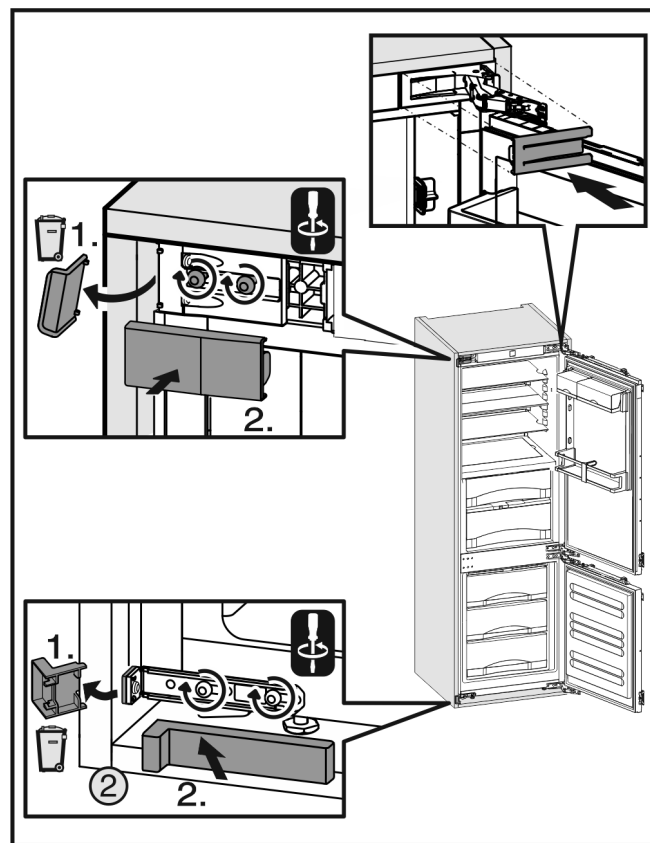


Fig. 42

- Saque el tope de la escuadra en el lado del tirador superior y deséchelo. Vuelva a montar la cubierta.
- Vuelva a montar la cubierta en el lado de la bisagra.

Instalar el aparato en el habitáculo

- Saque el tope en el lado del tirador inferior y deséchelo. Monte la cubierta.

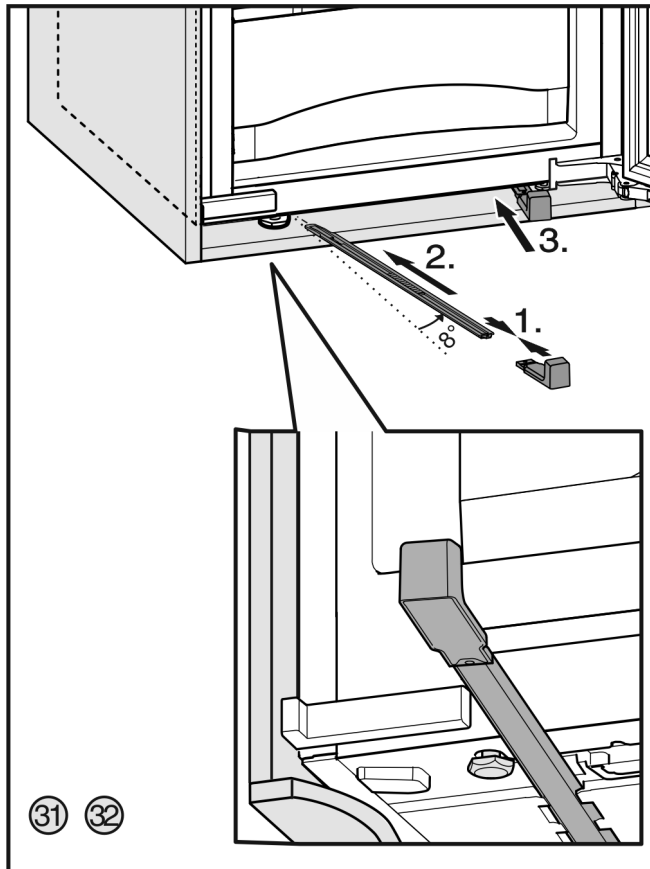


Fig. 43

- Apoyar el aparato en la parte inferior trasera: coloque el tirador en el riel estabilizador e introduzca dicho riel en el fondo del aparato. Retire el tirador y proceda de la misma manera con el segundo riel estabilizador.

Siga los siguientes pasos para ambas puertas:

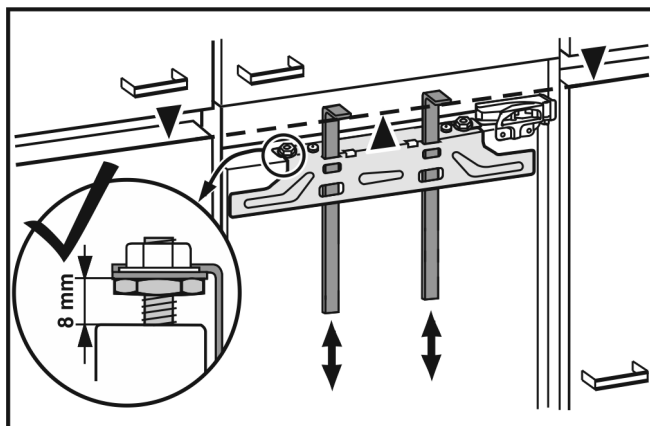


Fig. 44

- Cierre la puerta.
- Compruebe el preajuste de 5/16 in. (8 mm).
- Desplace hacia arriba las ayudas de montaje a la altura de la puerta del mueble. Canto inferior de tope de la ayuda de montaje = canto superior de la puerta que se ha de montar.

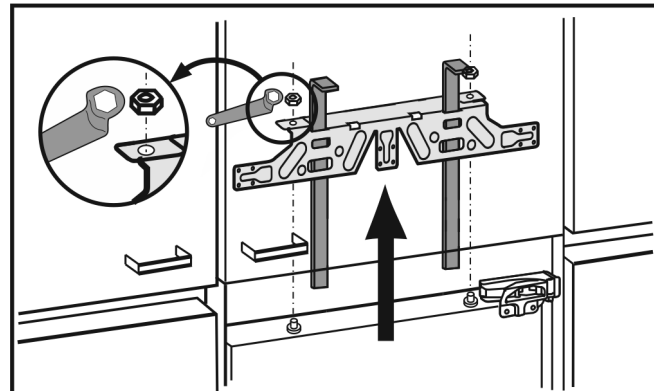


Fig. 45

- Suelte las contratuercas y retire el travesaño de fijación.

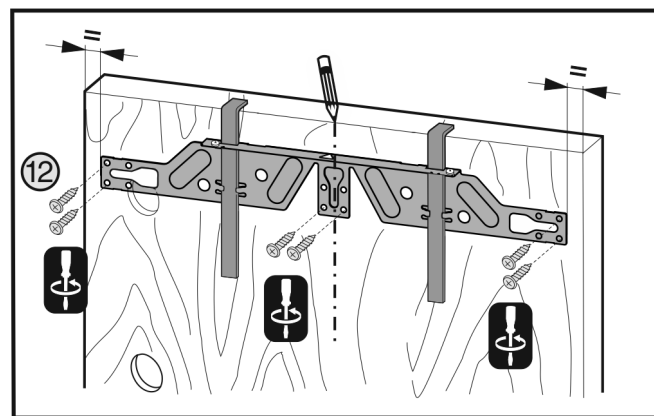


Fig. 46

- Enganche el travesaño de fijación en la cara interior de la puerta del mueble.

- Si el habitáculo tiene 22 in. (560 mm) de ancho:
- Alinee el travesaño de fijación centrado en la puerta.

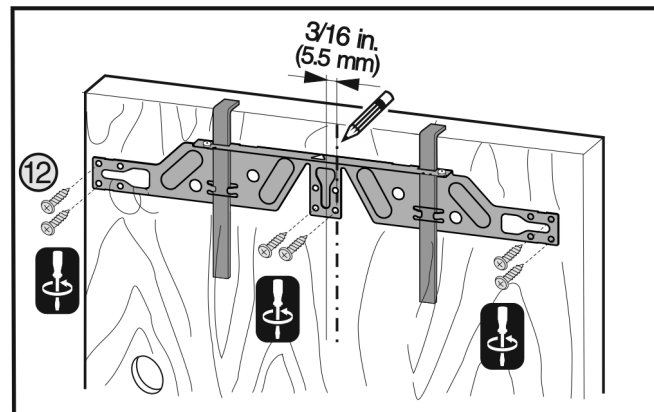


Fig. 47

- Si el habitáculo tiene 22 3/4 in. (578 mm) de ancho:
- Alinee el travesaño de fijación centrado en la puerta y desplácelo 3/16 (5.5 mm) hacia el lado de la bisagra.
- Monte el travesaño de fijación con 6 tornillos como mínimo en el caso de puertas de tableros de partículas y con 4 tornillos como mínimo en el caso de puertas de cassette.

Instalar el aparato en el habitáculo

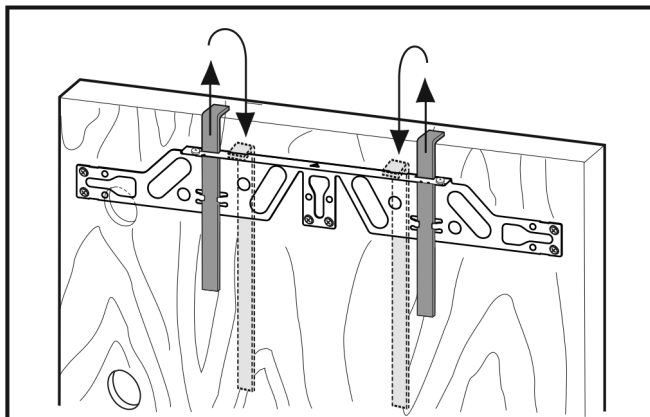


Fig. 48

- ▶ Extraiga las ayudas de montaje e introdúzcalas invertidas en el orificio de alojamiento adyacente.

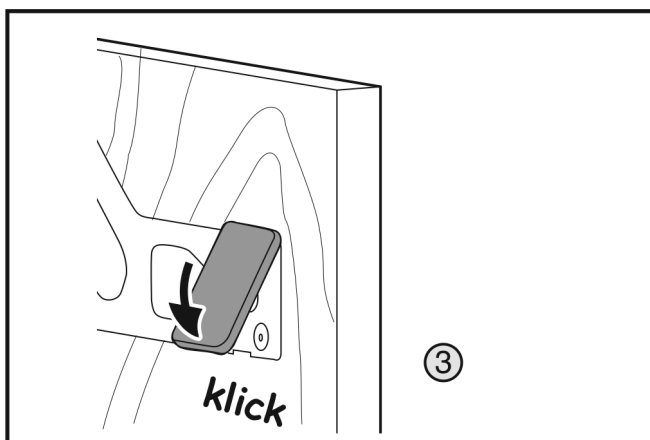


Fig. 49

- ▶ Sujete la cubierta en el travesaño de fijación en el lado del tirador.

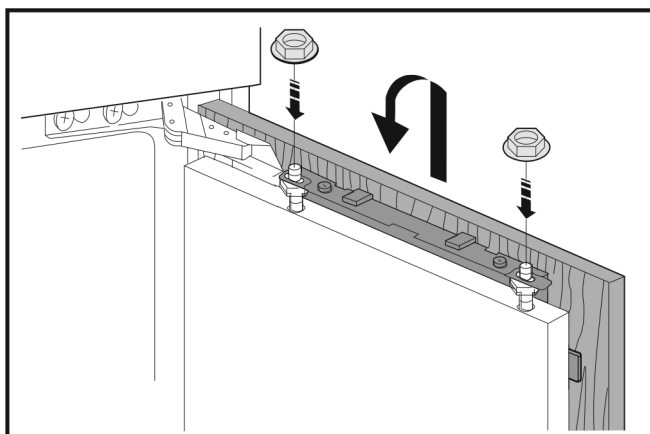


Fig. 50

- ▶ Enganche la puerta del mueble y vuelva a atornillar ligeramente las contratuerzas en los pernos de ajuste.

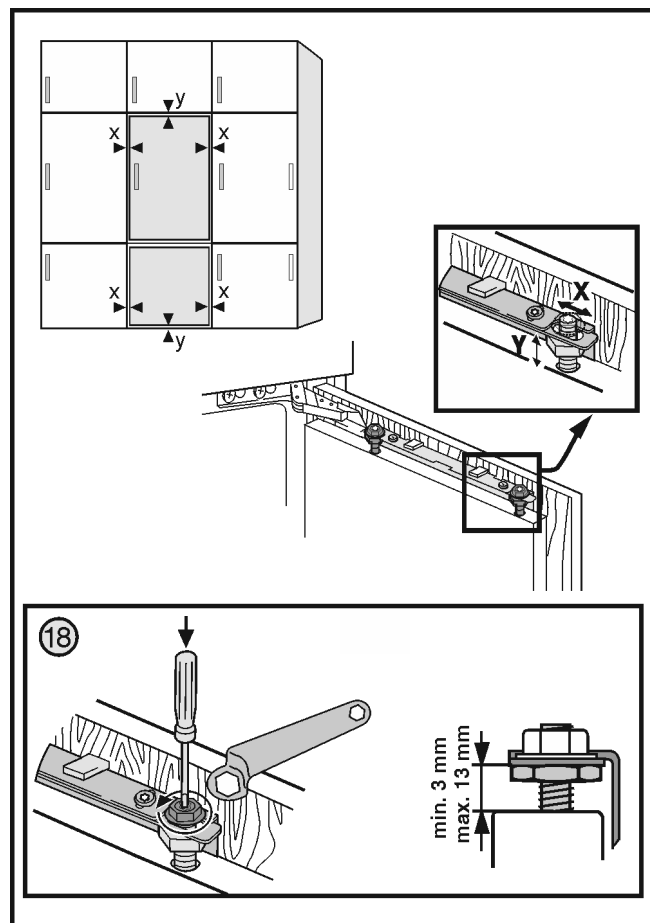


Fig. 51

- ▶ Alinee la puerta del mueble con los pernos de ajuste en sentido X e Y.
- ▶ Apriete las contratuercas.

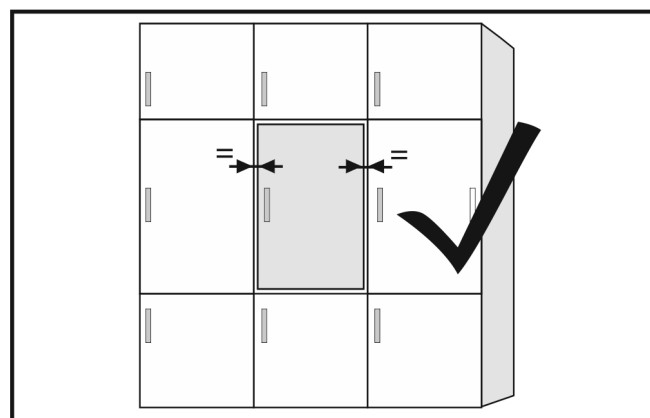


Fig. 52

- ▶ Compruebe la distancia de la puerta a las puertas de muebles circundantes.

Instalar el aparato en el habitáculo

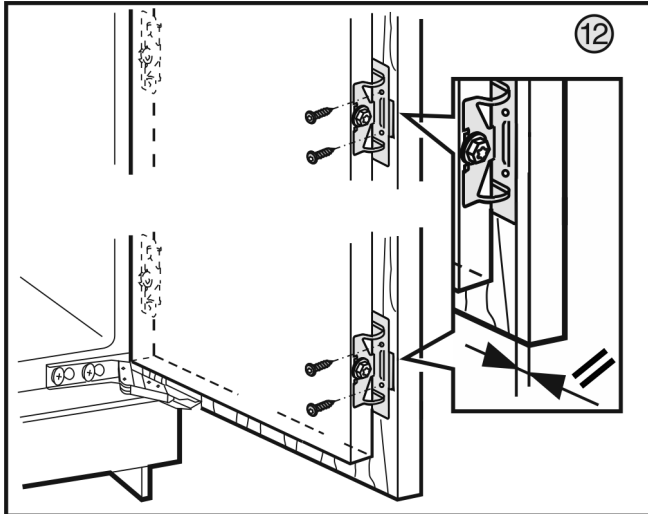


Fig. 53

- Alinee el canto delantero de la escuadra de acero para muelles paralelamente al canto de la puerta del mueble y atornille la escuadra.

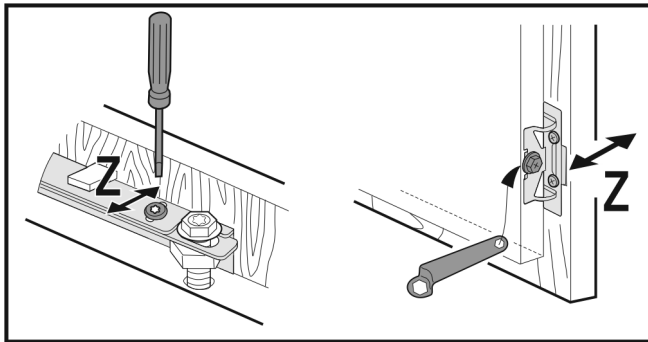


Fig. 54

- Alinear la puerta del mueble en sentido Z: suelte el tornillo regulador en el travesaño de fijación y el tornillo en la escuadra de acero para muelles y, después, desplace la puerta.

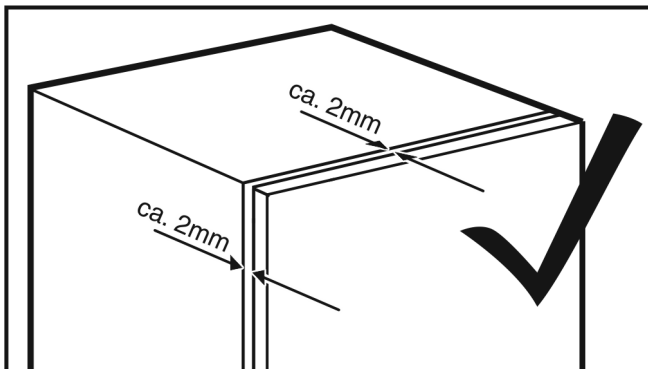


Fig. 55

- Compruebe la distancia entre la puerta del mueble y el cuerpo del mueble.
- Compruebe y, dado el caso, vuelva a apretar todos los tornillos.

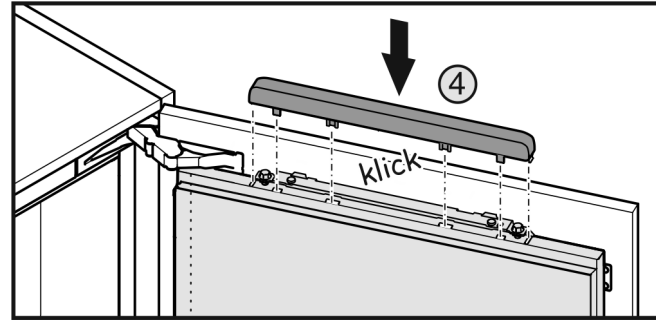


Fig. 56

- Sujete la cubierta superior.

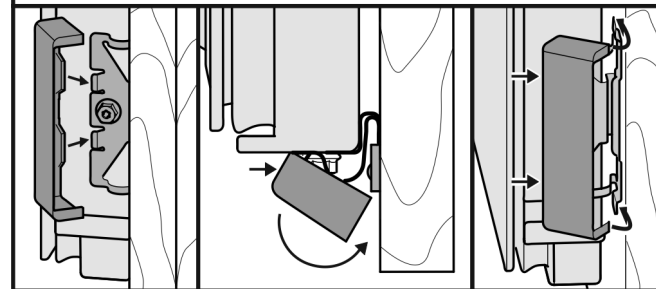
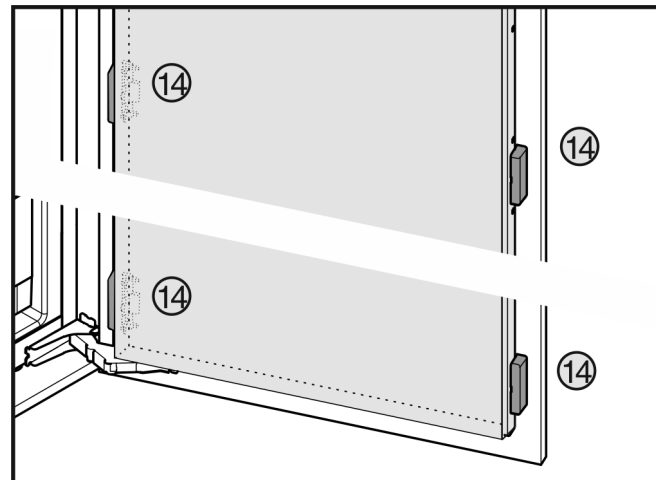


Fig. 57

- Colocar la cubierta sobre las escuadras de acero para muelles: engánchela delante, gírela hacia dentro y hacia atrás y encájela en las partes superior e inferior.

Eliminación del embalaje

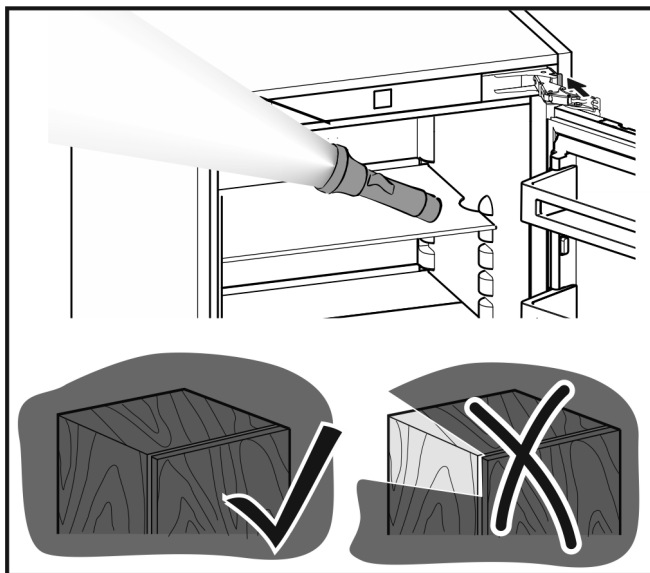


Fig. 58

Compruebe los siguientes puntos para garantizar que el aparato se ha instalado correctamente. De lo contrario, se pueden producir la formación de hielo y de agua de condensación, así como averías funcionales:

- ▷ La puerta debe cerrar correctamente.
- ▷ La puerta del mueble no debe entrar en contacto con el cuerpo del mueble.
- ▷ La junta situada en la esquina superior por el lado del tirador debe estar bien ajustada. Para comprobarlo, oscurezca la estancia, coloque una linterna en la parte superior del interior del aparato y cierre la puerta. Si sale luz, compruebe el montaje.

11 Eliminación del embalaje



ADVERTENCIA

Peligro de asfixia derivado del material de embalaje y las láminas

- ▶ No permita que los niños jueguen con el material de embalaje.

El embalaje está fabricado con materiales reciclables:



- Cartón paja/cartón
- Piezas de poliestireno expandido
- Láminas y bolsa de polietileno
- Flejes para bandaje de polipropileno
- Marco de madera clavado con plancha de polietileno*
- ▶ Deposite el material de embalaje en un punto de recogida oficial.

12 Conexión del aparato



ADVERTENCIA

¡Peligro de descarga eléctrica!

- ▶ El aparato ha de ponerse en funcionamiento después de instalarlo conforme a las instrucciones indicadas anteriormente.
- ▶ Conexión a tierra del aparato
- ▶ No conecte a tierra el aparato sobre un tubo de gas.
- ▶ Solicite a un electricista que compruebe la instalación si no tiene la certeza de que el aparato se ha conectado a tierra conforme a las especificaciones.
- ▶ En el circuito eléctrico del conductor neutro o en la conexión toma a tierra no debe montarse ningún fusible.
- ▶ No utilice ningún cable prolongador ni tomas de corriente de vías múltiples.
- ▶ No utilice ningún cable de alimentación eléctrica gastado o dañado.



ADVERTENCIA

¡Peligro de descarga eléctrica!

Como medida de protección contra descargas eléctricas, este aparato está equipado con un enchufe trifásico a prueba de polarización inversa. La toma de corriente debe estar conectada a tierra debidamente.

- ▶ No retire las clavijas redondas de la toma de conexión a tierra del conector.
- ▶ Utilice únicamente un adaptador para cajas de enchufe con conexión a tierra.
- Espere 1 hora después de la instalación para conectar el aparato a la red eléctrica. De este modo puede distribuirse el refrigerante y el aceite de la máquina frigorífica conforme a las especificaciones.
- Asegúrese de que la tensión de la red eléctrica coincide con la tensión de conexión del aparato. Para utilizar el aparato es necesario disponer de un suministro eléctrico de 110 - 120 voltios, a 60 Hz y 15 amperios (20 amperios en el montaje Side-by-Side) que ha de estar protegido mediante un interruptor principal o un fusible.
- El fabricante recomienda utilizar el aparato en un circuito independiente para evitar la sobrecarga eléctrica.
- Al instalar la toma de corriente y/o el aparato, es preciso observar todas las disposiciones legales referentes a la instalación electrónica, la protección contra incendios y las normas de montaje.
- En determinados países es obligatorio conectar el aparato al suministro eléctrico mediante un interruptor de entrada/salida (EIN/AUS) montado en la pared.
- Para reducir el riesgo de incendio, descarga eléctrica u otros daños, la instalación y la conexión del aparato deben realizarse a cargo de un electricista conforme a las disposiciones y normas competentes, incluidas las disposiciones relativas a la protección contra incendios.

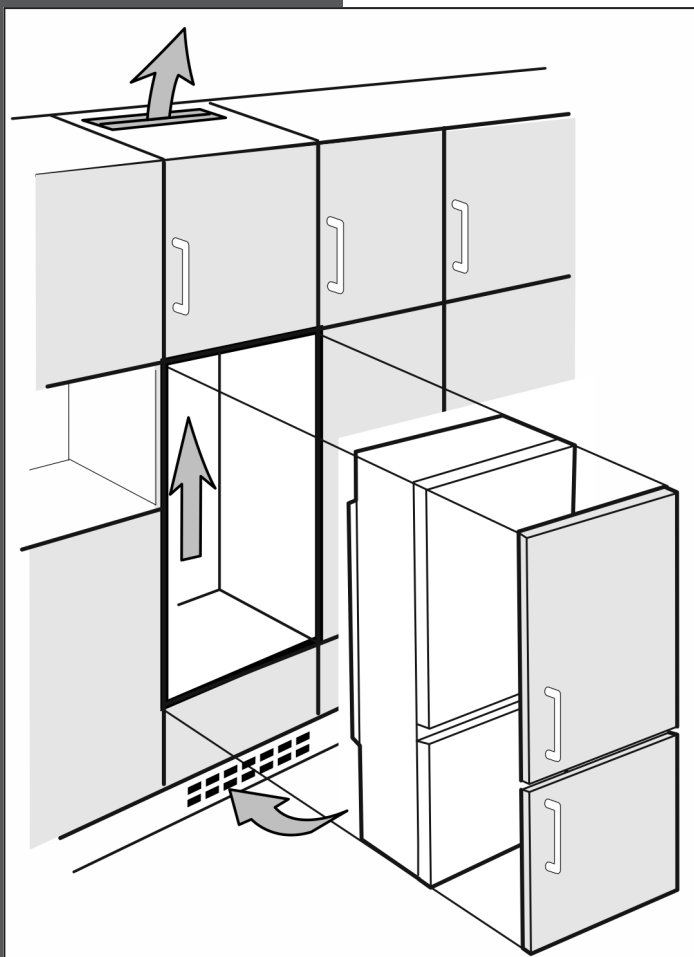
Conexión del aparato

- La caja de enchufe debe ser fácilmente accesible para poder desconectar el aparato rápidamente de la toma de corriente en caso de emergencia. Se debe encontrar fuera del área de la parte trasera del aparato.
- La toma de corriente debe disponerse de forma que su borde superior se encuentre a una distancia máxima de 82-5/8 pulg (2100 mm) del borde superior de la placa base del mueble de cocina.

LIEBHERR

Instructions de montage

Combiné réfrigérateur-
congélateur, intégrable, porte fixe



HC 10..
070415 7085586 - 01

Sommaire

1	Consignes de sécurité générales.....	49
2	Transport de l'appareil.....	49
3	Mise en place de l'appareil.....	50
4	Dimensions de l'appareil.....	51
5	Dimensions de la niche.....	51
6	Porte de placard.....	52
7	Aération et ventilation de l'élément de cuisine.....	54
8	Changer le sens de la porte.....	55
9	Prise d'eau.....	59
10	Installer l'appareil dans la niche.....	60
11	Éliminer l'emballage.....	70
12	Brancher l'appareil.....	70

Le fabricant travaille constamment au développement de tous les types et modèles d'appareils. C'est pourquoi nous nous réservons le droit de modifier la forme, l'équipement et la technique de nos appareils. Nous vous remercions de votre compréhension.

Afin de découvrir tous les avantages de votre nouvel appareil, nous vous prions de lire attentivement ces instructions de montage.

Ces instructions de montage sont valables pour plusieurs modèles, des différences sont donc possibles. Les paragraphes ne concernant que certains appareils sont indiqués par un astérisque (*).




Les instructions de manipulation sont indiqués par un ►, les résultats de manipulation par un ▷.

1 Consignes de sécurité générales

- Lire et respecter les instructions suivantes. Elles contiennent des consignes de sécurité importantes pour une installation et un fonctionnement sûrs et parfaits de votre appareil. Lisez et respectez toujours ces consignes de sécurité !
- Il est important de respecter les directives et consignes de ces instructions afin d'assurer l'installation et le fonctionnement corrects de l'appareil. Lisez et comprenez toutes les informations de ces instructions avant d'installer l'appareil.
- Risque d'asphyxie et d'écrasement : Retirez les portes et les surfaces de rangement des appareils usagés afin qu'ils ne repré-

sentent pas une source de danger pour les enfants.

- Installer, raccorder et éliminer l'appareil uniquement selon les indications mentionnées dans les instructions. Respecter en particulier les chapitres « Dimensions de la niche » (voir 5) et « Aération et ventilation de l'élément de cuisine » (voir 7) .
- La prise de courant doit être bien accessible afin de pouvoir débrancher rapidement l'appareil en cas d'urgence. Elle doit se situer en dehors de la partie arrière de l'appareil.

	DANGER	indique une situation dangereuse imminente entraînant la mort ou des blessures corporelles graves si elle n'est pas évitée.
	AVERTISSEMENT	indique une situation dangereuse susceptible d'entraîner la mort ou des blessures corporelles graves si elle n'est pas évitée.
	ATTENTION	indique une situation dangereuse susceptible d'entraîner des blessures corporelles moyennes ou légères si elle n'est pas évitée.
	ATTENTION	indique une situation dangereuse susceptible d'entraîner des dommages matériels si elle n'est pas évitée.
	Remarque	indique les remarques et conseils utiles.

2 Transport de l'appareil



ATTENTION

Risque de blessure et d'endommagement dû à un transport incorrect !

- Transporter l'appareil emballé.
- Transporter l'appareil debout.
- Ne pas transporter l'appareil seul.

Mise en place de l'appareil

3 Mise en place de l'appareil



AVERTISSEMENT

Danger de brûlures par court-circuit!

Lorsque les câbles de raccord / fiches de l'appareil se trouvent en contact avec la partie arrière d'un autre appareil, ils peuvent être endommagés à cause des vibrations de l'appareil et par la suite causer un court-circuit.

- ▶ Placer l'appareil de façon à ce qu'il n'y ait pas de contact avec la fiche ou le câble d'alimentation.
- ▶ Ne pas brancher d'appareils ni autres dispositifs sur les prises de courant situées sur la partie arrière de l'appareil.



AVERTISSEMENT

Risque d'incendie dû à l'humidité !

Lorsque des pièces sous tension ou le câble de raccordement au secteur deviennent humides, un court-circuit peut se produire.

- ▶ L'appareil a été conçu pour être placé dans des locaux fermés. Ne pas exploiter l'appareil dehors ou dans des endroits humides non à l'abri de projections d'eau.
- ▶ Uniquement exploiter l'appareil à l'état monté.



AVERTISSEMENT

Risque d'incendie dû au fluide réfrigérant !

Le fluide réfrigérant R 600a contenu dans l'appareil ne présente aucun danger pour l'environnement mais est inflammable. En cas de fuite, le fluide réfrigérant risque de s'enflammer.

- ▶ Veiller à ne pas endommager les tubes du circuit frigorifique.



AVERTISSEMENT

Risque d'endommagement et d'incendie !

- ▶ Ne pas placer un appareil diffusant de la chaleur (p.ex. four à micro-ondes, grille-pain, etc.) sur l'appareil !

ATTENTION

Risque de dommage par eau de condensation

Si votre appareil Liebherr est placé à côté d'un autre réfrigérateur ou congélateur, il risque d'être endommagé par la formation d'eau de condensation.

- ▶ Eviter d'installer votre appareil à côté d'autres réfrigérateurs ou congélateurs à moins qu'il ne s'agisse également d'appareils de la marque Liebherr. Les appareils Liebherr sont conçus pour une mise en place côte à côte. Ils sont équipés d'un dispositif chauffant éliminant l'eau de condensation au cas où des réfrigérateurs ou congélateurs seraient disposés côte à côte.

ATTENTION

Risque de dommage pour le sol!

- ▶ Protéger le sol en le couvrant avant de retirer les matériaux d'emballage de l'appareil.



AVERTISSEMENT

Risque d'endommagement dû à la surchauffe, limitation du fonctionnement !

- ▶ Les prises d'air de l'enceinte de l'appareil ou de la structure encastré doivent être dégagées en tout temps.



AVERTISSEMENT

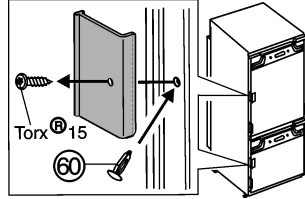
Risque de basculement

- ▶ Afin d'éviter toute mise en danger due à l'instabilité de l'appareil, celui-ci doit être fixé conformément aux instructions.

- Confier si possible à un spécialiste l'intégration de l'appareil dans l'élément de cuisine.
- En cas de dégâts à l'appareil, contactez immédiatement le fournisseur avant de brancher l'appareil.
- Le sol au lieu d'emplacement doit être horizontal et plan.
- Ne pas placer l'appareil dans une zone à ensoleillement direct, à côté d'une cuisinière, d'un chauffage ou équivalents.
- Ne pas installer l'appareil seul, de préférence à deux personnes ou plus.
- Plus l'appareil contient de réfrigérant R 600a, plus grand doit être le local dans lequel il se trouve. Dans de petits locaux, une fuite pourrait entraîner la formation d'un mélange gaz-air combustible. Selon la norme EN 378, le local d'installation doit être par 0.39 oz (11 g) de réfrigérant R 600a d'au moins 35.5 ft³ (1 m³). La quantité de réfrigérant de votre appareil figure sur la plaque signalétique à l'intérieur de l'appareil.
- Du condensat peut se former sur la paroi extérieure de l'appareil si celui-ci est placé dans un environnement très humide. Toujours veiller à une bonne ventilation et une bonne aération sur le lieu d'emplacement.
- La capacité portante du sol doit suffire pour le poids de l'appareil plus environ 1200 pounds (544 kg) d'aliments.
- La prise de courant électrique doit être placée à la position réglementaire et le fusible dimensionné exactement.
- Ne pas entraver la ventilation et l'aération. Le fonctionnement de l'appareil requiert une ventilation et aération suffisante. La grille de ventilation prévue d'usine garantit une section de ventilation efficace sur l'appareil de 31 in.² (200 cm²). Si vous remplacez la grille de ventilation par un panneau, celui-ci doit avoir au moins une section de ventilation égale ou plus grande que la grille de ventilation du fabricant.

Dimensions de l'appareil

- Noter le type (modèle, numéro), désignation de l'appareil, numéro d'appareil/de série, date d'achat et adresse du distributeur dans les champs prévus à cet effet dans le manuel Use&Care.
- Eliminer tous les matériaux du dos ou des parois latérales de l'appareil susceptibles d'entraver l'installation conforme ou la ventilation et l'aération.
- Dévisser la sécurité de transport rouge. Obturer l'orifice de fixation libéré avec un bouchon (60).



Après le montage :

- Enlever les feuilles de protection, les rubans adhésifs et les protections pour le transport, etc.

Remarque

- Nettoyer l'appareil (voir mode d'emploi, chapitre "Nettoyer l'appareil").

4 Dimensions de l'appareil

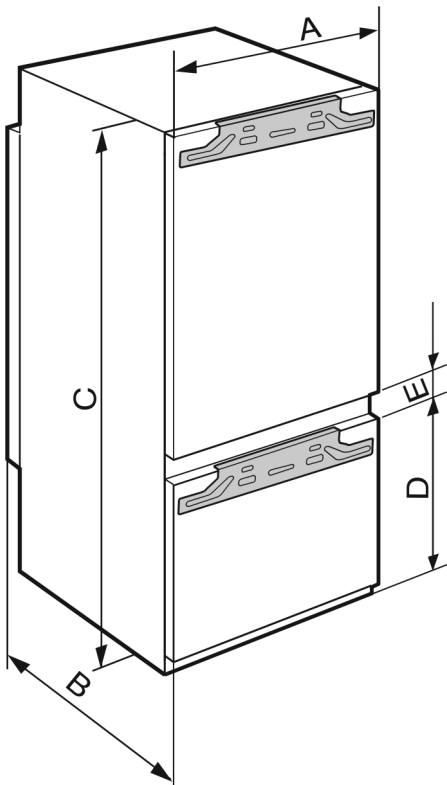


Fig. 1

	in.	mm
A	22 in.	559 mm
B	21 7/16 in.	544 mm
C	69 11/16 in.	1770 mm

	in.	mm
D	27 3/8 in.	695 mm
E	5/8 in.	15 mm

5 Dimensions de la niche

L'appareil est encastrable et par conséquent, complètement entouré d'un élément de cuisine. L'élément de cuisine en question doit être réalisé exactement selon les dimensions d'encastrement données et permettre une ventilation et une aération suffisante pour qu'un fonctionnement correct de l'appareil soit garanti.

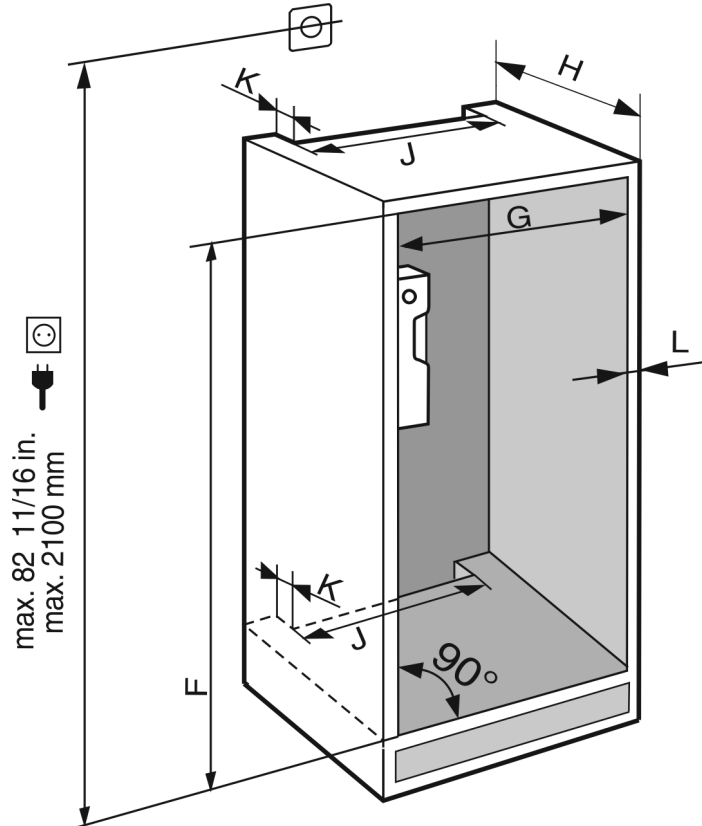


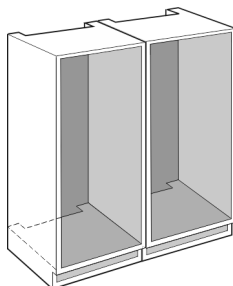
Fig. 2

	po.	mm
F	69 3/4 — 70 3/8	1772 — 1788
G	22 — 22 3/4	560 — 578
H	min. 21 5/8, 22 recommandé	min. 550, 560 recommandé
J	min. 19 11/16	min. 500
K	min. 1 5/8	min. 40
L	max. 3/4	max. 19

Porte de placard

La consommation énergétique déclarée a été déterminée avec une profondeur de meuble de cuisine de 560 mm. L'appareil est totalement fonctionnel avec une profondeur de meuble de cuisine de 550 mm, mais sa consommation énergétique est légèrement supérieure.

- ▶ En cas d'installation côte à côte, installer chacun des deux appareils dans un meuble séparé, l'un à côté de l'autre.



- ▶ L'épaisseur des meubles voisins doit être contrôlée : elle doit être de min. 5/8 in. (16 mm).
- ▶ Installer l'appareil uniquement dans des éléments de cuisine stables, solides. Sécuriser les meubles contre les chutes.
- ▶ Ajuster l'élément de cuisine avec un niveau à bulle et une équerre, et si besoin équilibrer avec des cales.
- ▶ S'assurer que le plancher et les parois latérales du meuble soient positionnés perpendiculairement.

6 Porte de placard

- Pour l'élément de cuisine, deux portes sont nécessaires : une supérieure pour le compartiment réfrigérateur et une inférieure pour le compartiment congélateur.
- Les portes doivent présenter une épaisseur d'au moins 5/8 in. (16 mm) et de maximum 3/4 in. (19 mm).
- Lorsque les deux portes sont fermées, la fente entre la porte supérieure et inférieure doit être d'au moins 1/8 in. (3 mm).

- La fente entre les portes de placard doit être à la même hauteur que la fente entre les portes de l'appareil.
- Il doit y avoir une fente d'au moins 1/8 in. (3 mm) de haut entre la porte et la porte de placard située au-dessus (le cas échéant).
- La largeur des portes de placard dépend du style de la cuisine et de la taille de la fente entre les panneaux de porte du placard. En général, une fente verticale de 1/8 in. (3 mm) devrait être laissée entre les portes de placard.
- Les bords supérieurs de la porte supérieure et la porte inférieure devraient se trouver à la même hauteur que les portes du placard situé à côté (ou bien des placards) s'il y a d'autres placards.
- Les portes des placards doivent être planes et sont à monter sans tension.

ATTENTION

Risque de détérioration en raison d'une porte de placard trop lourde !

Une porte de placard trop lourde peut endommager les charnières et le bon fonctionnement peut éventuellement être entravé.

- ▶ Avant le montage de la porte du placard, veiller à ne pas dépasser le poids admissible de la porte du placard.

Type d'appareil	Poids maximum de la porte de meuble	
	Porte du réfrigérateur	Porte du congélateur
HC 1021, HC 1030, HC 1050B, HCB 1060, HC 1070, HC 1080	30,5 lbs (14 kg)	26,5 lbs (12 kg)

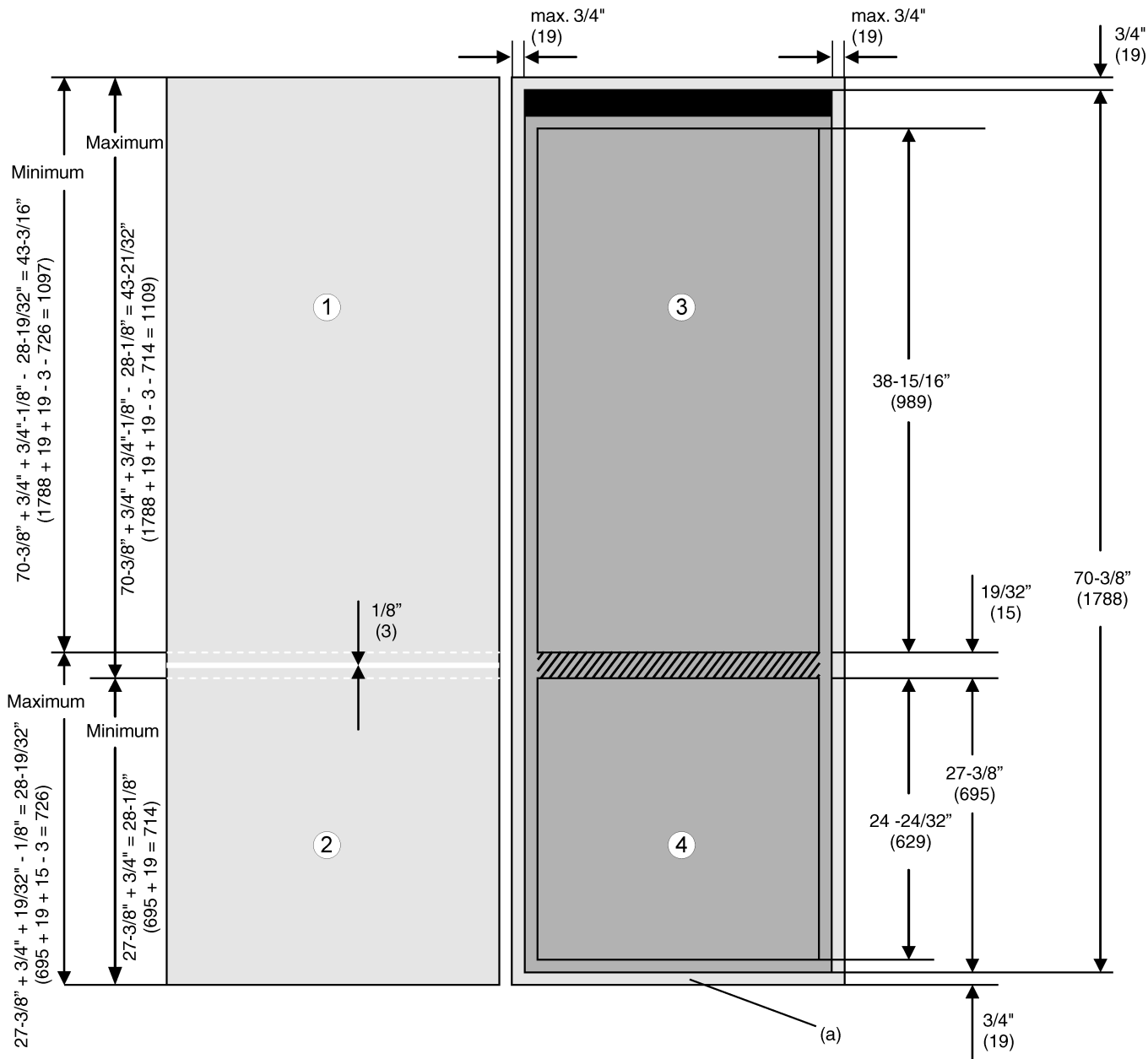


Fig. 3

La hauteur de la porte de congélateur est de 24-24/32 in. (629 mm).

► Pour couvrir la section inférieure de l'appareil : prolonger la hauteur de plaque à 27-3/8 in. (695 mm).

En général, l'épaisseur de la plaque de fond est de 3/4 in. (19 mm).

► Pour couvrir le front de la plaque de fond Fig. 3 (a) : prolonger la hauteur de plaque à 27-3/8 in. + 3/4 in. = 28-1/8 in. (695 mm + 19 mm = 714 mm) .

Lorsqu'aucune porte de placard n'est encore montée, la fente entre la porte du compartiment congélateur Fig. 3 (3) et la porte du compartiment réfrigérateur Fig. 3 (2) est de 19/32 in. (15 mm). Après le montage des portes de placard, la fente entre les deux portes Fig. 3 (1,2) est d'environ 1/8 in. (3 mm) et doit se situer dans la surface hachurée.

Bien entendu, la hauteur de porte définitive se règle sur la hauteur de la fente de porte des éléments de cuisine qui se trouvent à gauche et à droite à côté du placard de l'appareil.

Si d'autres parties d'armoire se trouvent à côté du placard de l'appareil, elles présentent normalement une fente entre deux tiroirs ou portes. En fonction du modèle de votre cuisine, ces fentes ont environ 1/8 in. (3 mm) de large.

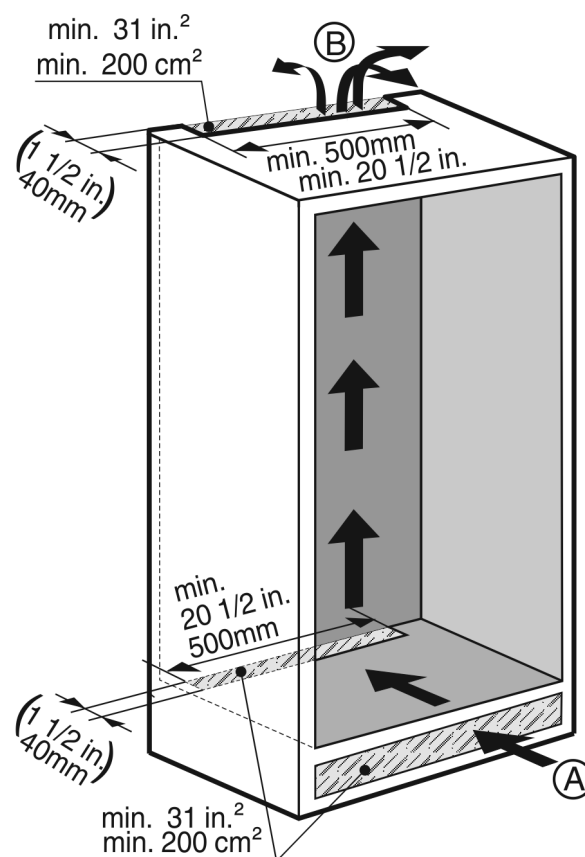
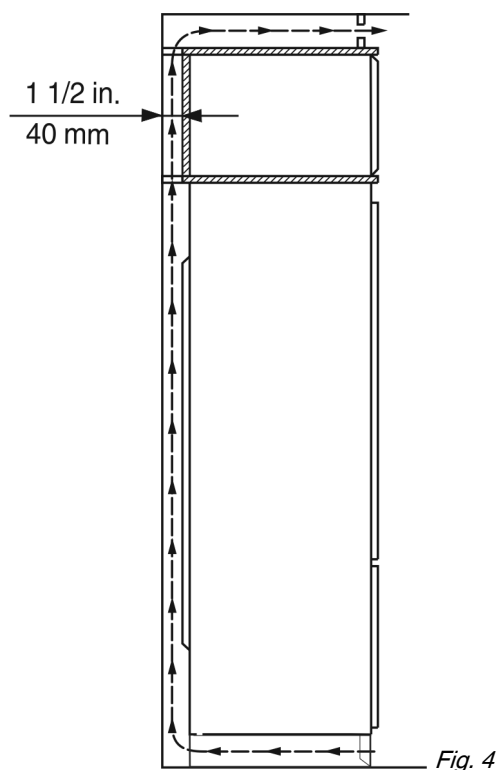
► Dans ce cas, augmenter la hauteur de plaque à 27-3/8 in. + 3/4 in. + 19/32 in. - 1/8 in. = 28-19/32 in. (695 mm + 19 mm + 15 mm - 3 mm = 726 mm) .

La hauteur de l'ouvrant du réfrigérateur est obtenue comme suit :

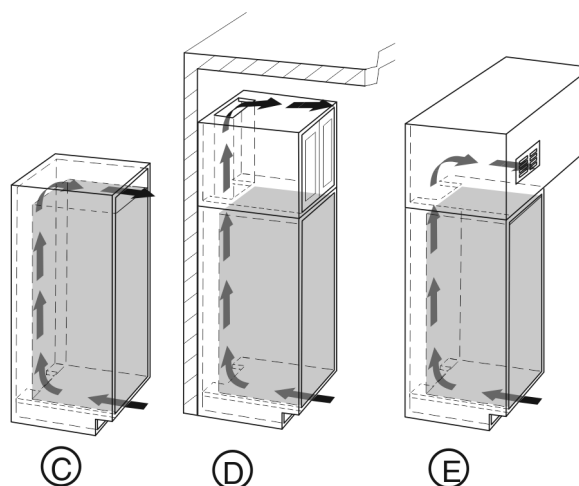
Aération et ventilation de l'élément de cuisine

- Hauteur totale de l'armoire (c-à-d. 70-3/8 in. (1788 mm)) plus épaisseur de la plaque de couverture et de fond (habituellement 3/4 in. (19 mm)) moins la hauteur de l'ouvrant du congélateur (xxx in. (xxx mm)) comme calculé ci-dessus, ainsi que moins la largeur de fente (environ 1/8 in. (3 mm)) : 70-3/8 in. + 3/4 in. + 3/4 in. - xxx in. - 1/8 in. = 71-3/4 in. - xxx in. (1788 mm + 19 mm + 19 mm - xxx mm - 3 mm = 1823 mm - xxx mm)

7 Aération et ventilation de l'élément de cuisine



- Il doit y avoir un espace de ventilation efficace d'au moins 31 in² (200 cm²) par appareil au niveau de l'entrée d'air Fig. 5 (A) et la sortie d'air Fig. 5 (B).
- En principe s'applique : plus l'espace de ventilation est grand, moins l'appareil consomme d'énergie.
- La profondeur de l'espace de ventilation au niveau de la paroi arrière du meuble doit être de min. 1-1/2 in. (40 mm).



- L'espace de ventilation du dessus peut être réalisé directement au-dessus de l'appareil avec une grille de ventilation disponible en option Fig. 6 (C), au-dessus du placard Fig. 6 (D) à proximité du plafond ou comme bouche de sortie d'air dans un faux plafond Fig. 6 (E).

Changer le sens de la porte

L'aération à partir du bas au travers du plancher de l'élément de cuisine peut être réalisée à l'aide de la grille de ventilation *Fig. 7 (3)* fournie ou d'une ouverture de ventilation dont la surface de section est d'au moins 31 in² (200 cm²). Si vous utilisez la grille de ventilation jointe *Fig. 7 (1)*, procédez comme suit :

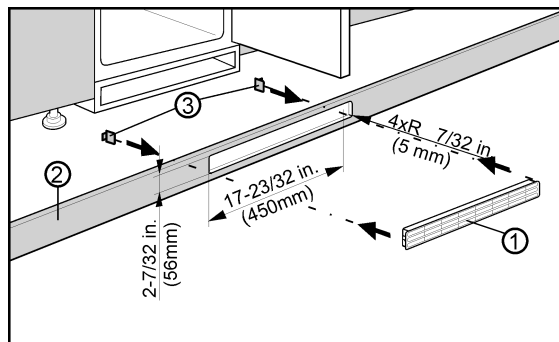


Fig. 7

- ▶ Dans le plancher de l'élément de cuisine, découper une entrée d'air de 17-23/32 in. (450 mm) de large et de 2-7/32 in. (56 mm) de hauteur.
- ▶ Placer la grille de ventilation *Fig. 7 (1)* dans la découpe réalisée dans le plancher de l'élément de cuisine *Fig. 7 (2)*.
- ▶ Enchâsser les raccords encliquetables *Fig. 7 (3)* à partir de l'arrière dans la grille jusqu'à ce que les crochets touchent le plancher de l'élément de cuisine.
- ▶ Encastrer le plancher de l'élément de cuisine (avec la grille de ventilation encliquetée) dans l'élément de cuisine.

8 Changer le sens de la porte*



AVERTISSEMENT

Risque de blessures lorsque la porte culbute !
Si les éléments de fixation ne sont pas serrés avec le bon couple de serrage, la porte de culbute.

- ▶ Visser chaque charnière ainsi que le tourillon sphérique avec un couple de serrage de 3 lb-ft (4 Nm).
- ▶ Visser l'élément de fixation de l'amortisseur de fermeture avec un couple de serrage de 2.5 lb-ft (3 Nm).
- ▶ Vérifier la bonne fixation de chaque vis, si nécessaire resserrer les vis.

Remarque

Le sens de la porte peut uniquement être changé lorsqu'il y a suffisamment de place vers le haut pour retirer l'équerre de fixation de la charnière et la remonter de l'autre côté. Cela n'est généralement pas le cas, après installation dans la niche.

- ▶ Changer le sens d'ouverture de la porte avant d'installer l'appareil dans la niche.



Cette étape comporte un risque de blessure !
Respecter les indications de sécurité !



Ce mode d'emploi est valable pour plusieurs modèles. Exécuter cette étape uniquement si elle s'applique à votre appareil.



Choisir entre les alternatives représentées.



Uniquement desserrer les vis, ne pas dévisser.



Vérifier le vissage et le cas échéant, resserrer.

Outils nécessaires :

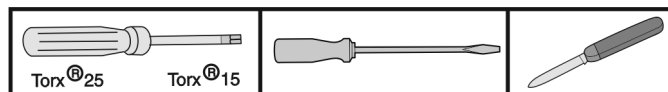


Fig. 8

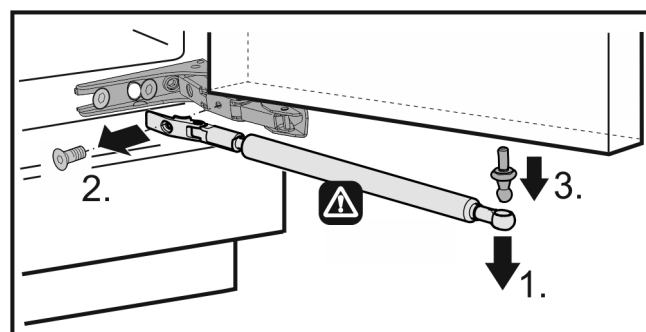


Fig. 9



ATTENTION

Risque de blessures lorsque l'amortisseur de fermeture se contracte !

- ▶ Démontez soigneusement l'amortisseur de fermeture.
- ▶ Démontez l'amortisseur de fermeture : enlever l'amortisseur de fermeture du pivot sphérique (1), dévisser l'élément de fixation (2). Démontez le pivot sphérique à l'aide d'un tournevis (3).

Changer le sens de la porte

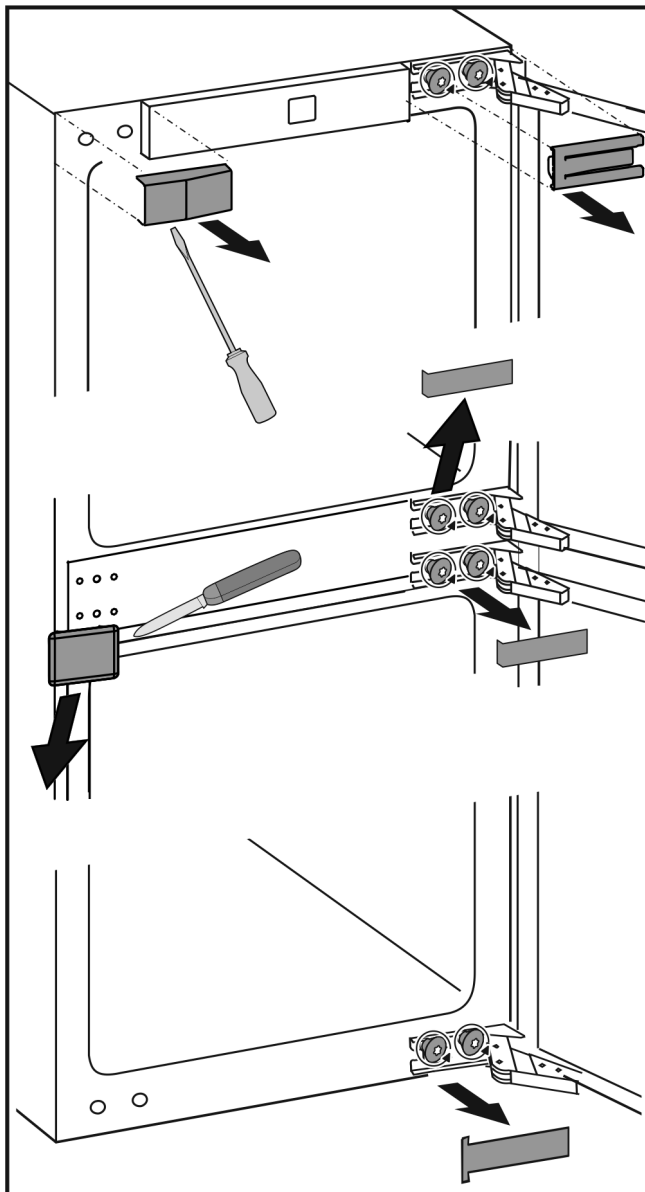


Fig. 10
► Retirer les caches.

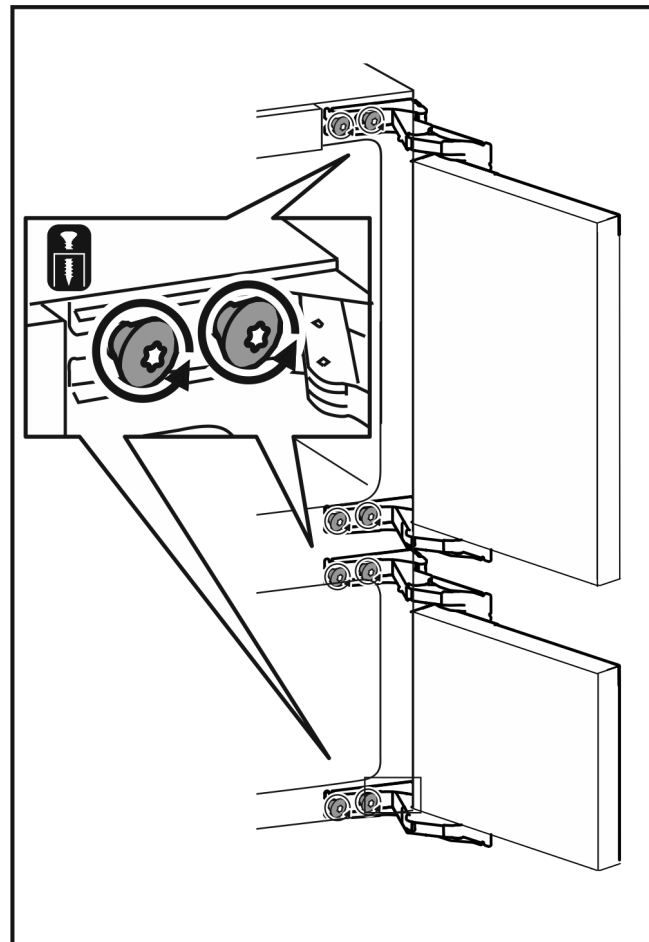


Fig. 11
► Uniquement desserrer les vis sur les charnières, ne pas dévisser.

Changer le sens de la porte

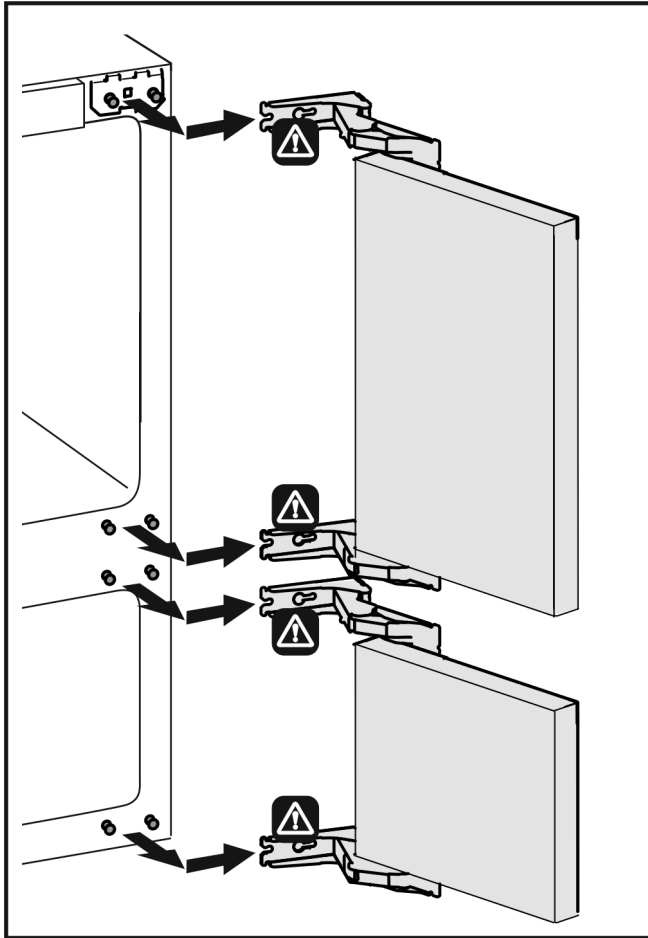


Fig. 12



ATTENTION

Risque de blessures lorsque les charnières se replient !

- Laisser les charnières ouvertes.
- Retirer la porte : pousser la porte vers l'avant puis vers l'extérieur, la décrocher et la poser sur le côté.

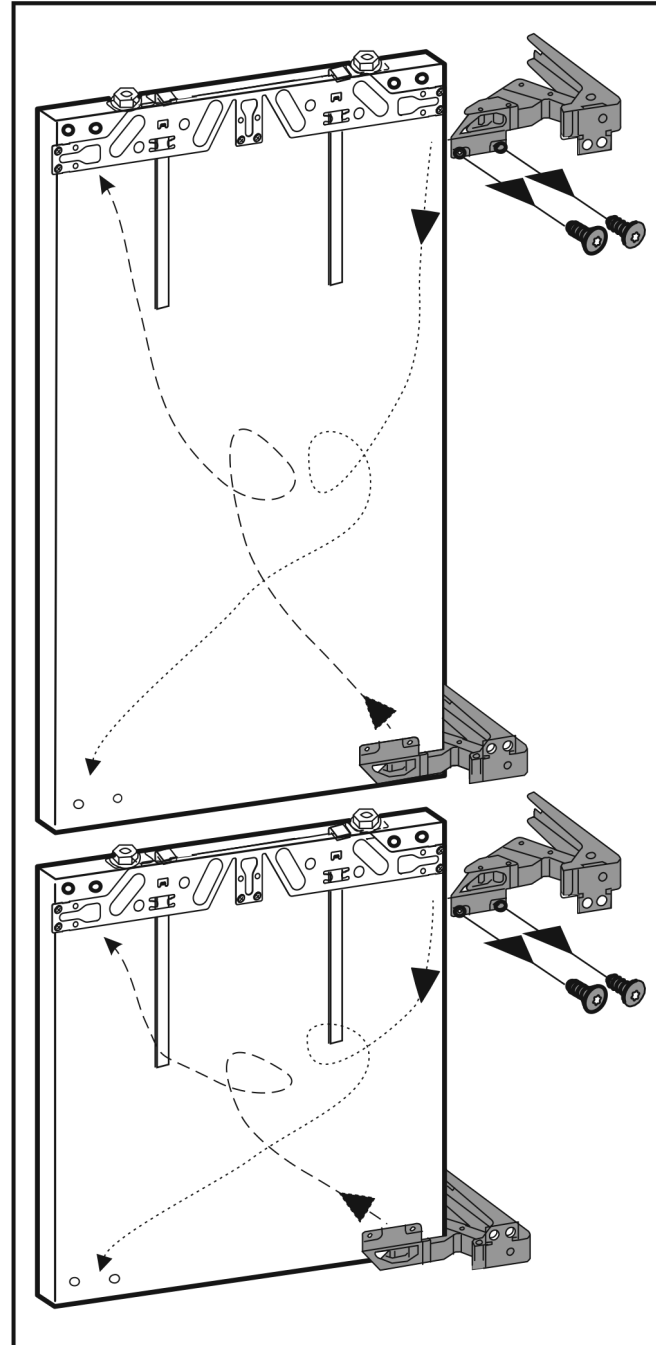


Fig. 13

- Permuter les charnières.

Changer le sens de la porte

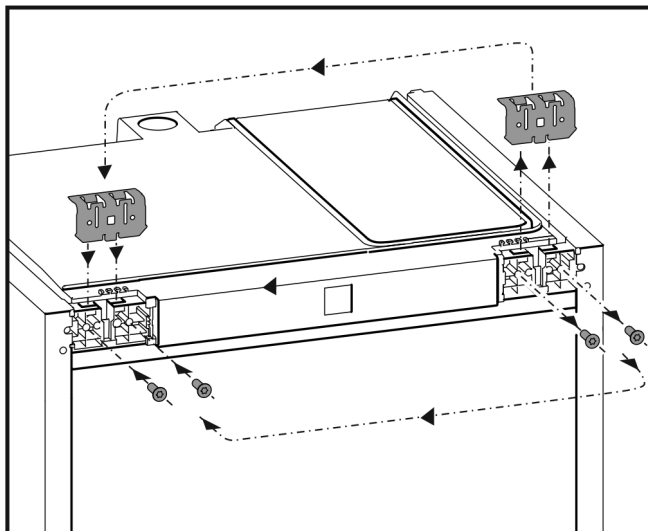


Fig. 14

- Permuter la cornière de fixation sur le côté opposé.

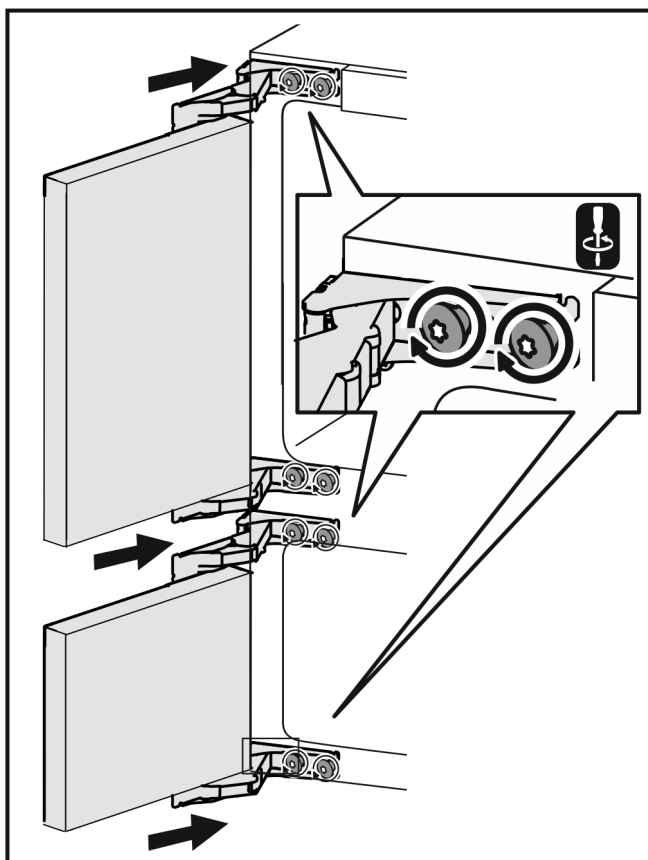


Fig. 15

- Replacer la porte : accrocher la porte avec les charnières et visser fermement les vis.

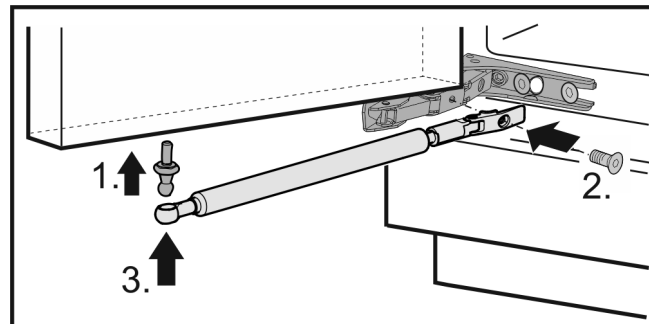


Fig. 16

- Replacer l'amortisseur de fermeture : visser le pivot sphérique (1), visser fermement l'élément de fixation (2) et accrocher l'amortisseur de fermeture dans le pivot sphérique.

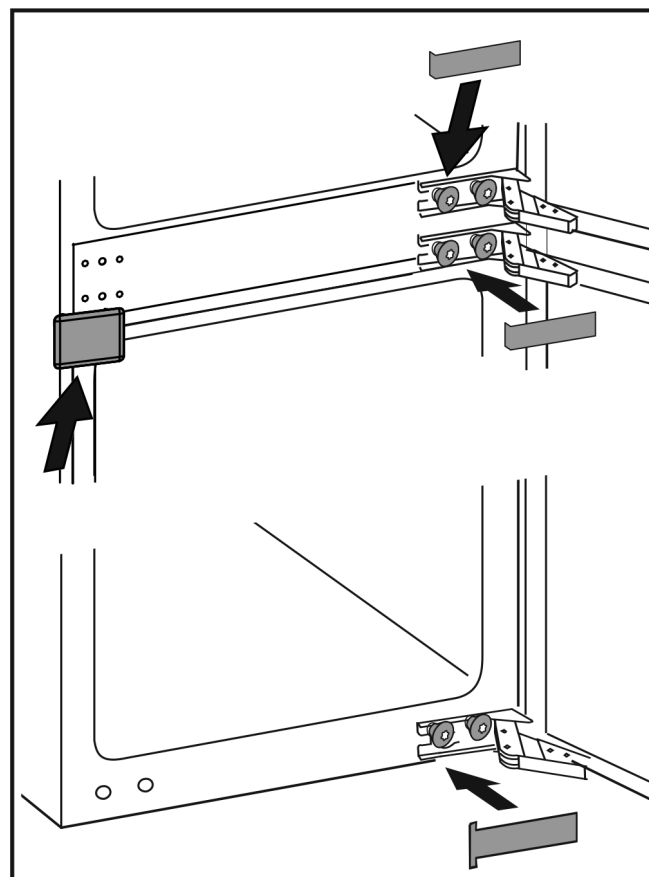


Fig. 17

- Vérifier toutes les vis, les resserrer si nécessaire.
- Replacer tous les caches sauf ceux du haut à gauche et à droite. Replacer les caches du haut seulement après l'insertion dans le meuble.

9 Prise d'eau*



AVERTISSEMENT

Risque de décharge électrique !

- ▶ Débranchez l'appareil de la prise avant de le raccorder à la conduite d'eau.
- ▶ Coupez l'alimentation en eau avant de raccorder les conduites d'arrivée d'eau du distributeur de glaçons.
- ▶ Le raccord au réseau d'eau potable doit être uniquement effectué par un plombier qualifié.



AVERTISSEMENT

Danger d'intoxication !

- ▶ La qualité de l'eau doit être conforme à celle prescrite par le décret relatif à l'eau potable du pays dans lequel l'appareil est utilisé.
- ▶ Raccorder uniquement à l'alimentation en eau potable.
- ▶ L'IceMaker sert uniquement à produire des glaçons en quantité normale pour un usage domestique et doit fonctionner avec de l'eau appropriée à la consommation.

Pression d'eau :	
psi	MPa (bar)
21,76 à 87,02	0,15 à 0,6 (1,5 à 6)

- L'arrivée d'eau à l'appareil doit se faire via une conduite d'eau froide résistant à la pression de service et conforme aux normes en matière d'hygiène.
- Tous les appareils et dispositifs utilisés pour l'arrivée de l'eau doivent satisfaire aux prescriptions en vigueur dans le pays respectif.
- L'électrovanne se trouve sur la paroi arrière de l'appareil en bas. Elle possède un filetage de raccordement métrique R3/4.
- Utilisez un **tube en cuivre diamètre extérieur 1/4"**, afin de relier l'alimentation en eau à l'électrovanne. **Celui-ci n'est pas fourni.**
- Avec l'IceMaker, une pièce de raccordement du filetage de raccordement métrique R3/4 au tube de cuivre diamètre extérieur 1/4" est fourni.

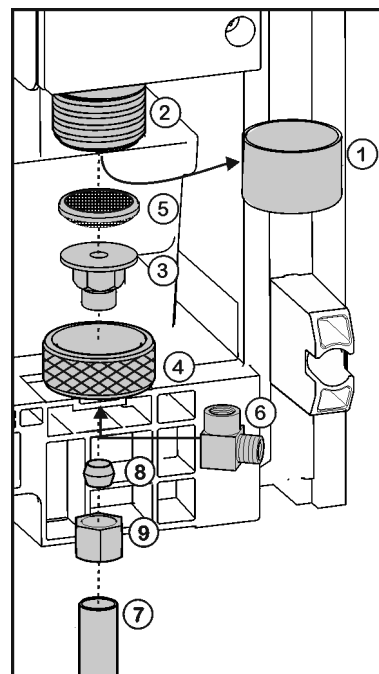


Fig. 18

- ▶ Déposer le bouchon Fig. 18 (1) de l'électrovanne Fig. 18 (2).
- ▶ Poser la pièce de raccordement Fig. 18 (3) dans l'écrou-raccord Fig. 18 (4).
- ▶ Insérer le filtre à eau Fig. 18 (5) avec la rainure vers le bas en direction de la pièce de raccordement Fig. 18 (3).

ATTENTION

Risque d'endommagement du filtre à eau !

Si le filtre est placé à l'envers, le filtre risque d'être endommagé.

- ▶ Insérer le filtre avec la rainure vers la pièce de raccordement.

- ▶ Raccorder l'écrou-raccord Fig. 18 (4) à l'électrovanne Fig. 18 (2) et serrer.

ATTENTION

Risque d'endommagement du filetage !

- ▶ Ne pas trop serrer l'écrou-raccord.

- ▶ Pour dévier le raccordement d'eau de 90°, visser lecoude Fig. 18 (6) éventuellement.

- ▶ Raccorder laconduite d'eau Fig. 18 (7) (par exemple, cuivre) à l'aide de la bague de serrage Fig. 18 (8) et visser l'écrou Fig. 18 (9) sur la pièce de raccordement Fig. 18 (3) ou lecoude Fig. 18 (6).

Installer l'appareil dans la niche.

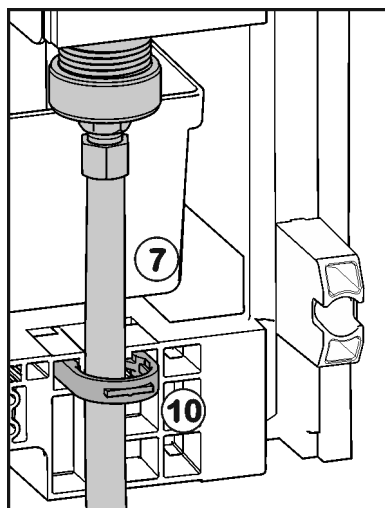


Fig. 19

- ▶ Fixer la conduite d'eau Fig. 19 (7) à l'aide de l'étrier d'arrêt Fig. 19 (10) à la structure le cas échéant. Avant l'installation dans la niche du meuble :
- ▶ Vérifier l'étanchéité de l'ensemble du système d'eau. Avant la première mise en service :
- ▶ Faire purger la canalisation d'eau par un spécialiste compétent.

ATTENTION

Dysfonctionnement de l'arrivée d'eau !

Si l'arrivée d'eau est coupée pendant le fonctionnement, mais que l'IceMaker continue de fonctionner, le tuyau d'arrivée d'eau risque de geler.

- ▶ Éteindre l'IceMaker quand l'arrivée d'eau est interrompue (quand vous partez en vacances p. ex.).

10 Installer l'appareil dans la niche.



AVERTISSEMENT

Risque d'incendie dû à un court-circuit !

- ▶ Lors de l'insertion de l'appareil dans la niche, ne pas pincer, coincer, ou endommager le cordon d'alimentation.
- ▶ Ne pas utiliser l'appareil avec un câble de raccord au réseau défectueux.

ATTENTION

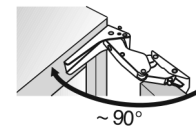
Risque d'endommagement de la charnière !

Si lors de son déplacement, l'appareil est saisi au niveau de la porte, les charnières peuvent être endommagées.

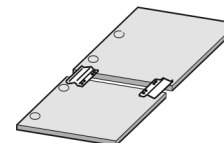
- ▶ Lors du déplacement, toujours saisir l'appareil au niveau du corps.

Pour insérer l'appareil dans la niche, les accessoires suivants sont disponibles auprès du service après-vente :

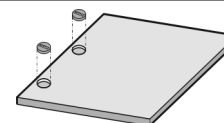
Kit pour limiter l'angle d'ouverture de porte à 90°



Kit pour monter les faces avant de meubles séparées



Kit avec caches pour charnières à boîtier



Lors de cette étape, il y a un risque de blessure ! Respecter les indications de sécurité !



Ce mode d'emploi est valable pour plusieurs modèles. Exécuter cette étape uniquement si l'appareil est équipé de la fonction correspondante.



Choisir entre les alternatives représentées.



Uniquement desserrer les vis, ne pas dévisser.



Vérifier le visage et le cas échéant, resserrer.

Les éléments de montage ci-après sont joints à l'appareil :

Installer l'appareil dans la niche.

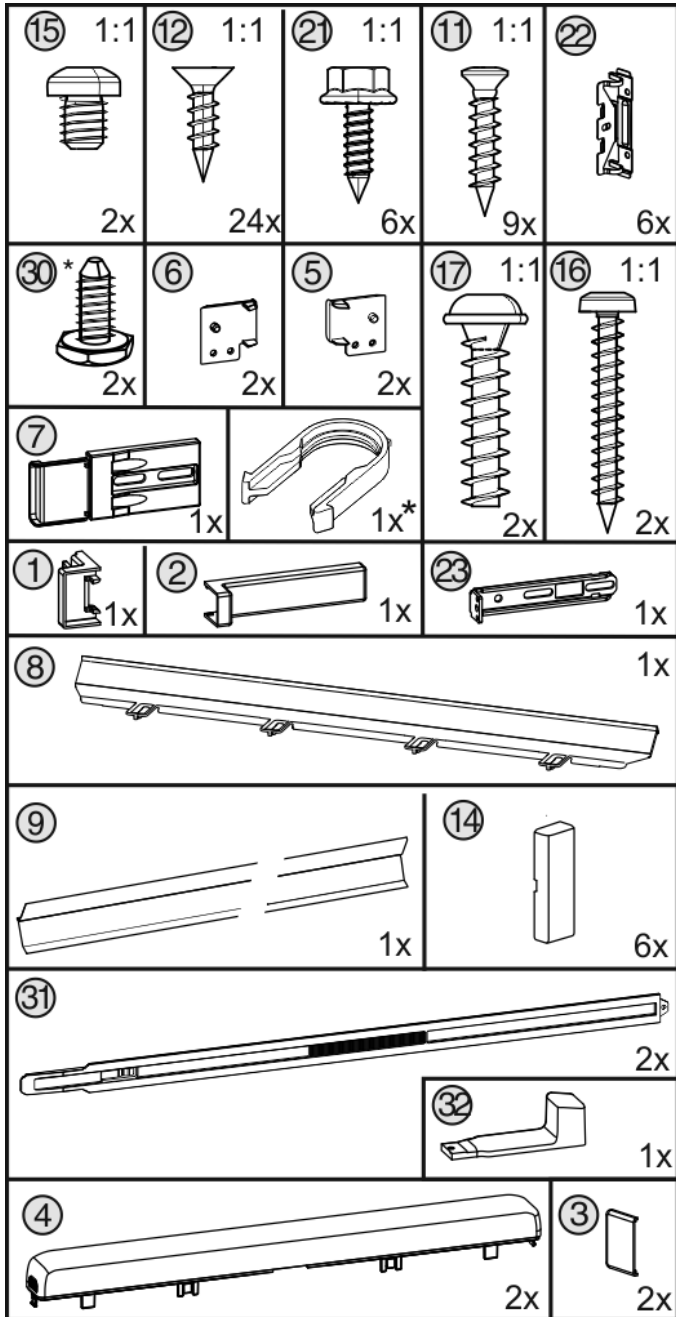


Fig. 20

Les outils ci-après sont joints à l'appareil :



Fig. 21

L'outillage suivant est en outre nécessaire :

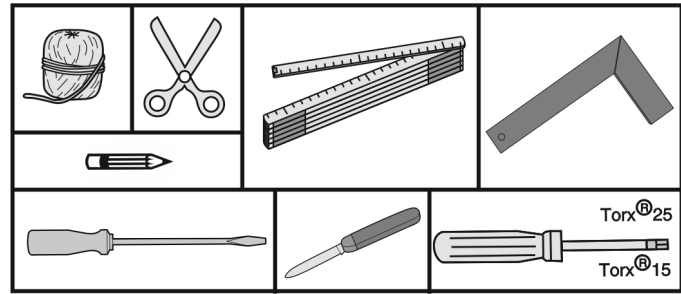


Fig. 22

En cas de profondeur de meuble inférieure à 21-3/4 in. (553 mm), démonter les entretoises au dos de l'appareil, afin de pouvoir pousser l'appareil complètement dans la niche. Enlever les entretoises peut augmenter la consommation de courant étant donné que la section de ventilation est réduite.

► Desserrer la vis et retirer l'entretoise.

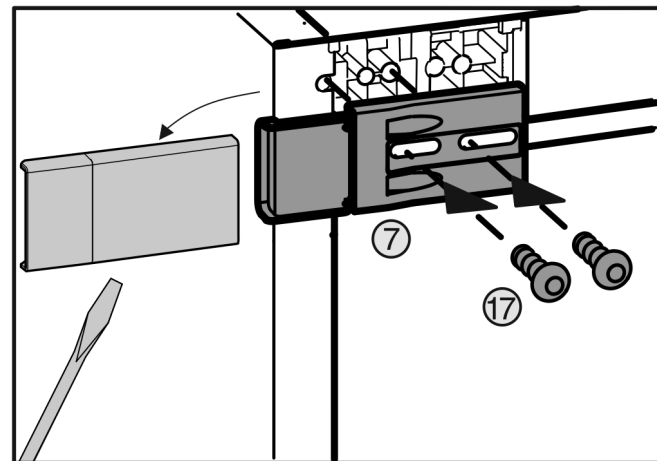
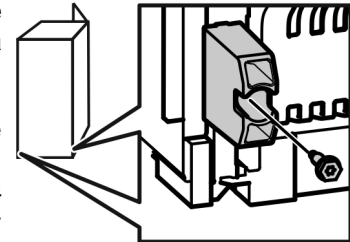


Fig. 23

► Retirer le cache en haut à gauche et visser légèrement la cornière de fixation.

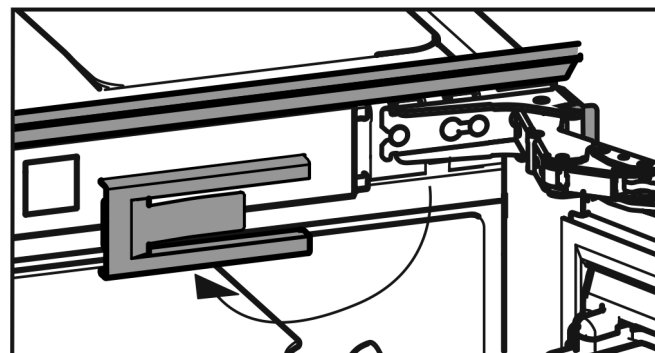


Fig. 24

► Retirer le cache.

Installer l'appareil dans la niche.

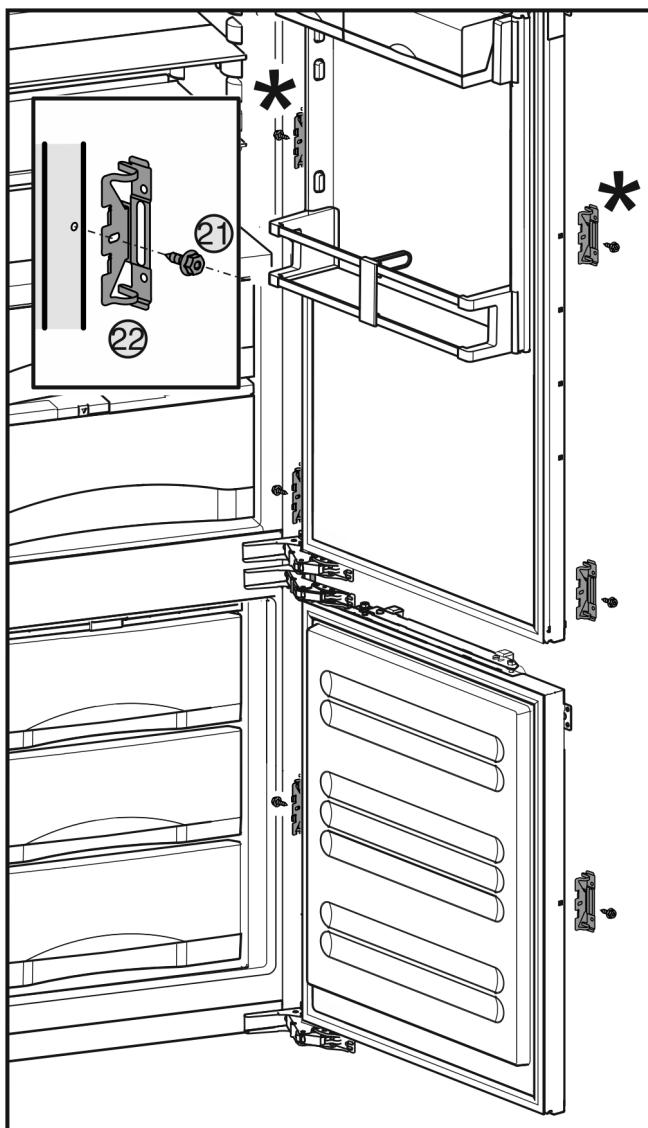


Fig. 25

- Monter la cornière en acier pour ressort. Pour une grande porte de compartiment réfrigérateur utiliser deux paires de cornières en acier pour ressort.

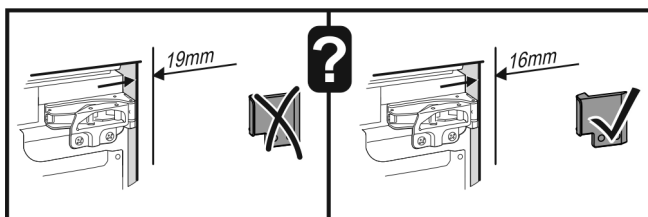


Fig. 26

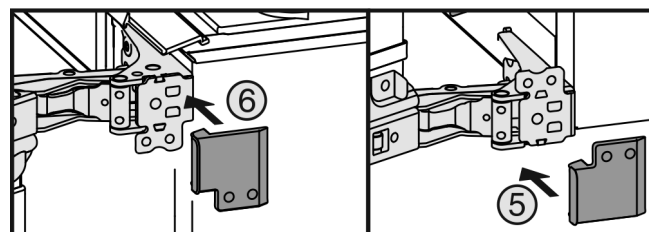


Fig. 27

Pour des parois latérales de meuble de 5/8 in. (16 mm) d'épaisseur :

- clipser des pièces d'écartement sur toutes les charnières.
- Retirer le cache en haut à gauche et visser légèrement la cornière de fixation.

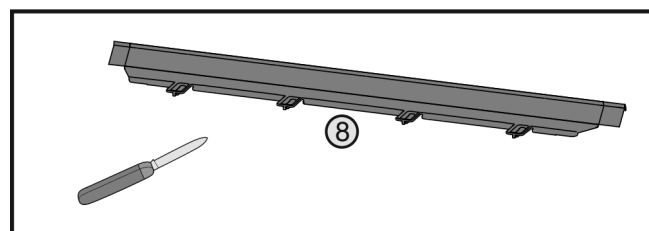


Fig. 28

Pour une niche de 22 3/4 in. (578 mm) de large :

- raccourcir la cornière de compensation du côté charnières sur la rainure à l'aide d'un couteau.
- Pour une niche de 22 in. (560 mm) de large :
- raccourcir la cornière de compensation de chaque côté respectivement sur la rainure à l'aide d'un couteau.

Installer l'appareil dans la niche.

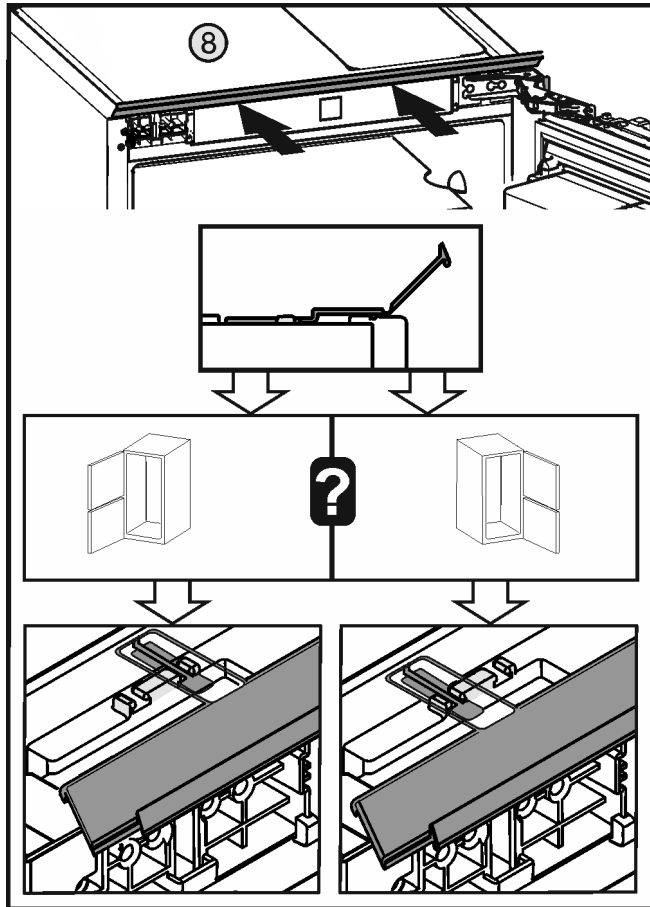


Fig. 29

- Monter la cornière de compensation sur le haut de l'appareil. Si la charnière est à gauche, insérer la cornière de compensation dans les crochets droits. Si la charnière est à droite, insérer la cornière de compensation dans les crochets gauches.

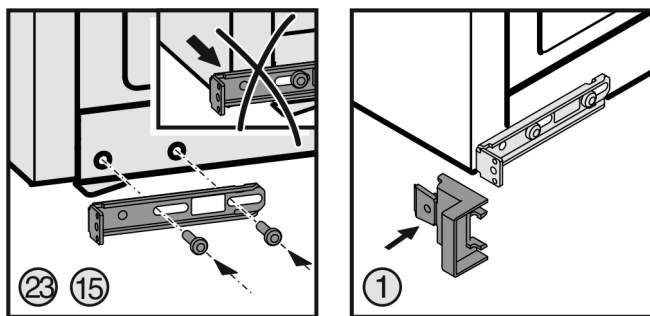


Fig. 30

- Visser la cornière de fixation en bas à gauche de telle sorte qu'elle ne dépasse pas de la paroi latérale.
- Enclipser l'élément de butée sur la cornière.

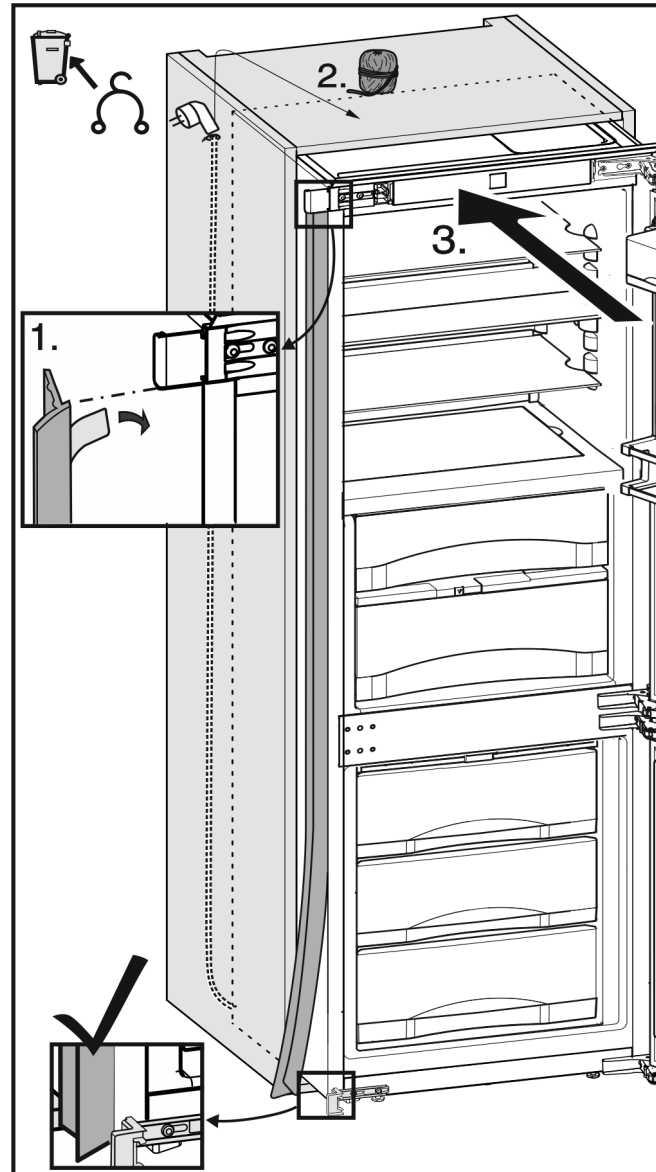


Fig. 31

- Monter le bourrelet : le placer en haut sous la cornière et le coller à la paroi latérale. Il n'est pas nécessaire de raccourcir le bourrelet.
- Enlever l'attache-câble d'alimentation et poser le câble d'alimentation vers le haut à l'aide d'un fil.
- Pousser l'appareil aux deux tiers dans le meuble.

Installer l'appareil dans la niche.

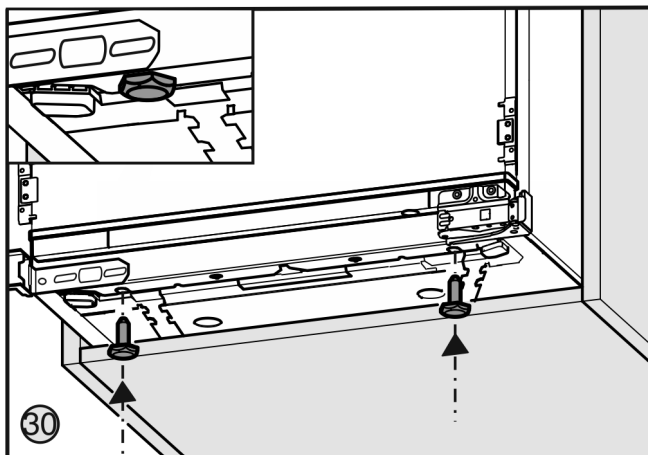


Fig. 32

- Monter les pieds réglables en bas dans le plancher de l'appareil.

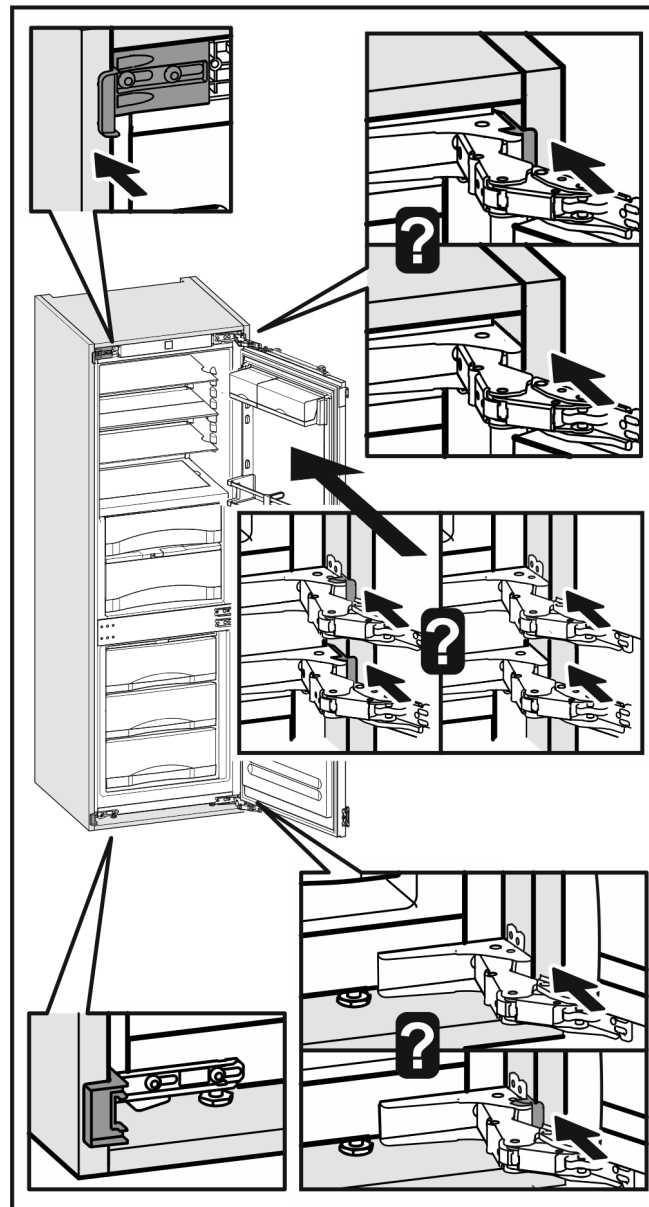


Fig. 33

- Introduire l'appareil jusqu'à ce que la cornière en haut du côté charnières et en bas l'élément de butée butent sur la face avant de la paroi latérale du meuble. Pour des parois latérales de meuble de 5/8 in. (16 mm) d'épaisseur, les pièces d'écartement doivent buter simultanément du côté charnières. Pour des parois latérales de meuble de 5/8 in. (16 mm) d'épaisseur, aligner les bords avant des charnières à fleur avec la face avant de la paroi latérale de meuble.

Installer l'appareil dans la niche.

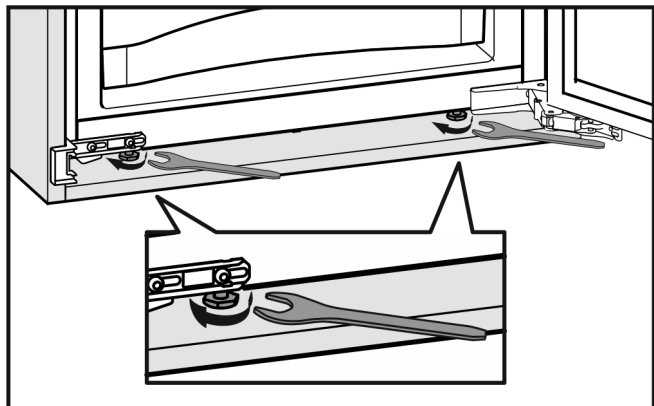


Fig. 34

- Aligner l'appareil éventuellement à l'aide des pieds de réglage.

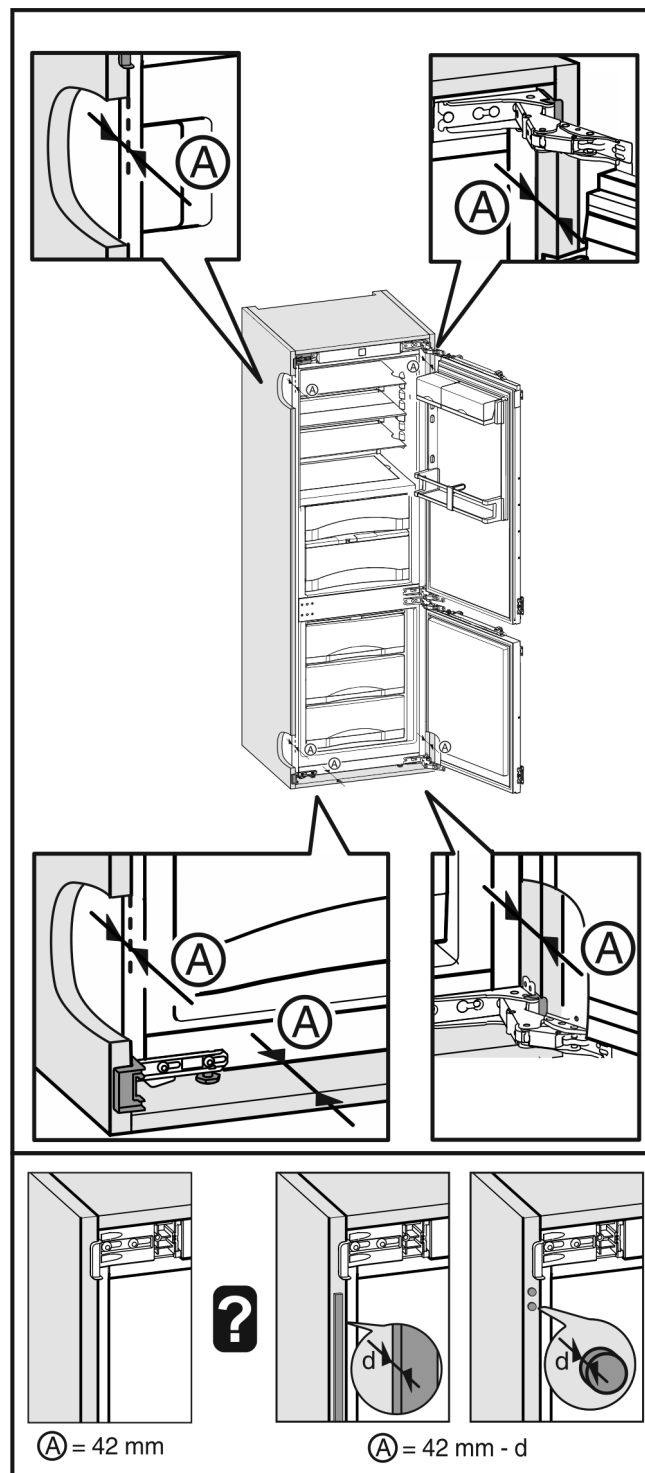


Fig. 35

- Vérifier la profondeur d'introduction (A) : l'écart entre le bord avant du meuble et le corps de l'appareil doit être de 1-21/32 " (42 mm) sur le pourtour. Prendre en compte éventuellement les éléments de butée de meuble (d) !

Installer l'appareil dans la niche.

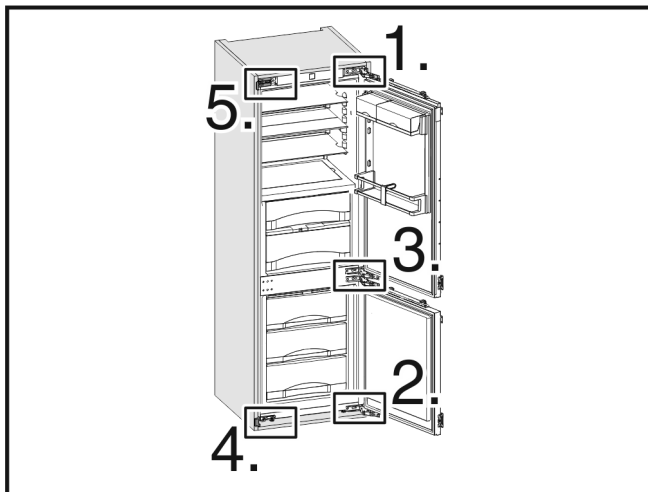


Fig. 36

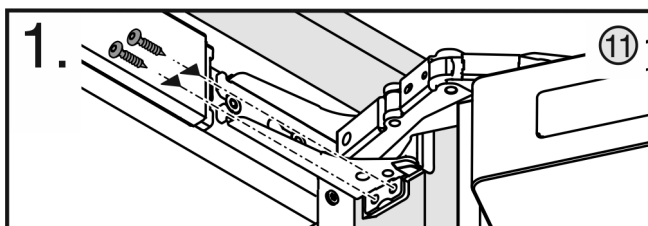


Fig. 37

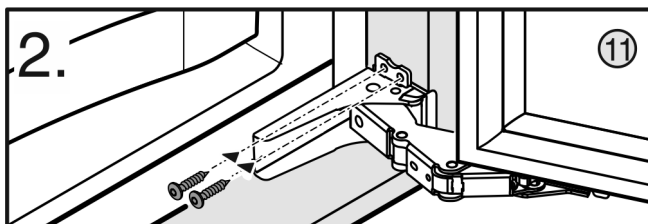


Fig. 38

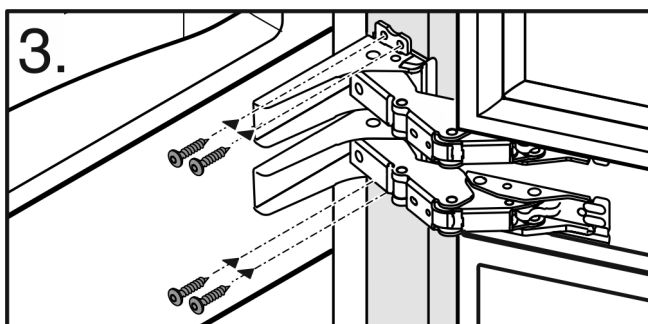


Fig. 39

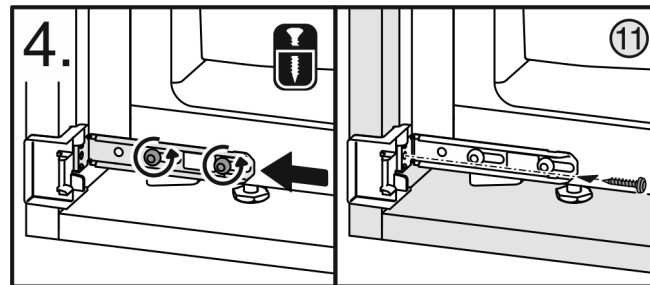


Fig. 40

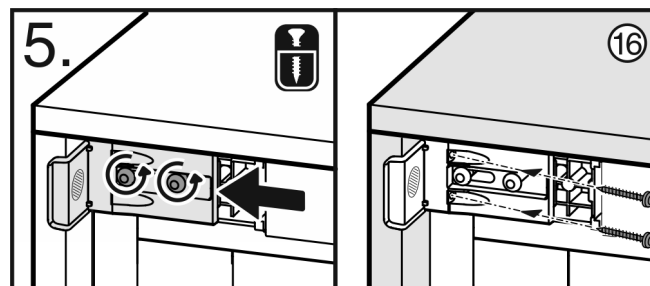


Fig. 41

- Fixer l'appareil dans la niche : d'abord en haut du côté charnières, puis en bas, puis au centre. Ensuite, du côté poignée en bas et en dernier lieu du côté poignée en haut.

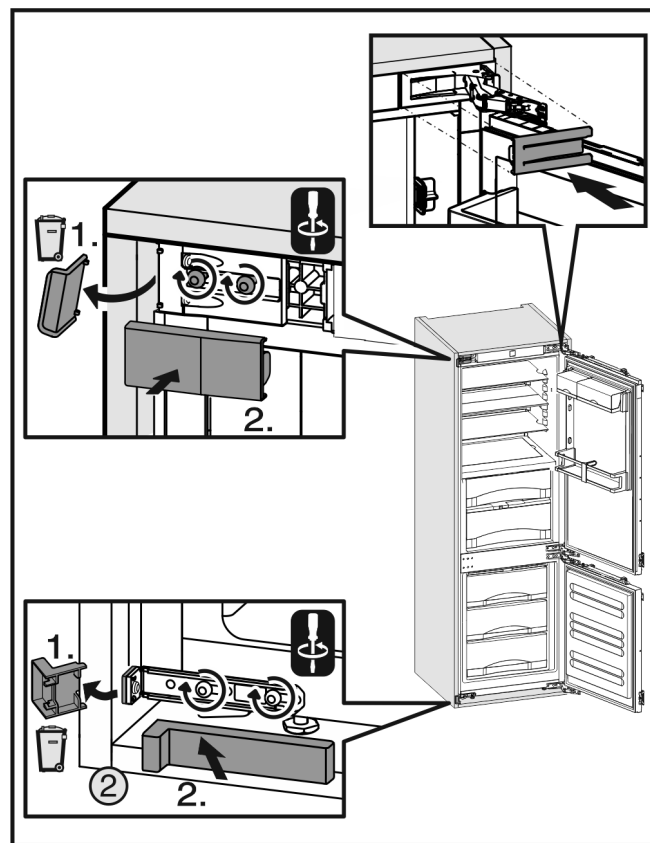


Fig. 42

- Du côté poignée en haut, casser la butée de la cornière et l'éliminer. Replacer le cache.
- Replacer le cache du côté charnières.

Installer l'appareil dans la niche.

- Du côté poignée en bas, casser la butée et l'éliminer. Placer le cache.

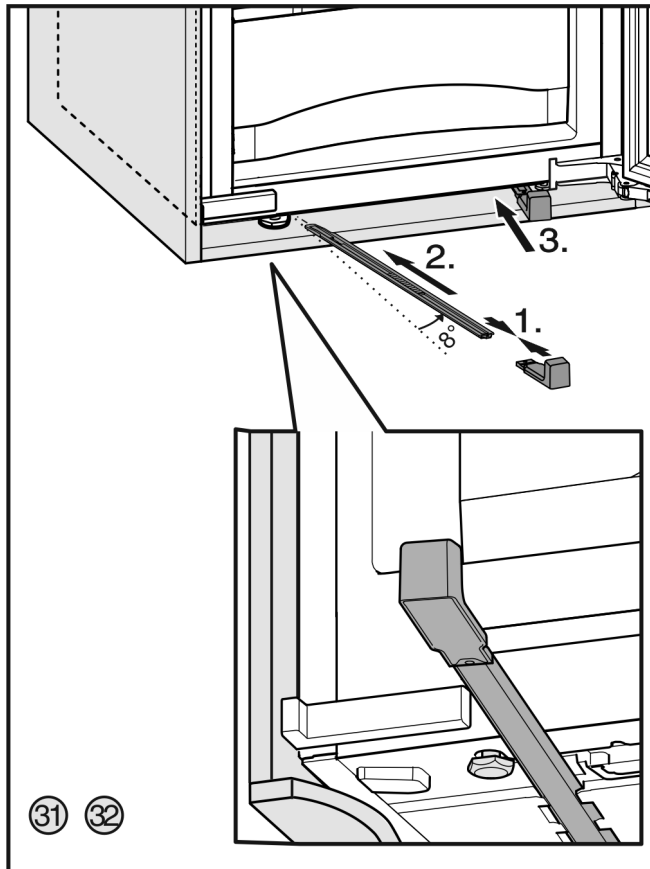


Fig. 43

- Etayer l'appareil derrière en bas : enficher la poignée sur le rail de stabilisation et enfoncer ce dernier dans le plancher de l'appareil. Retirer la poignée et procéder de la même façon avec le deuxième rail de stabilisation

Suivre les étapes ci-après pour les deux portes :

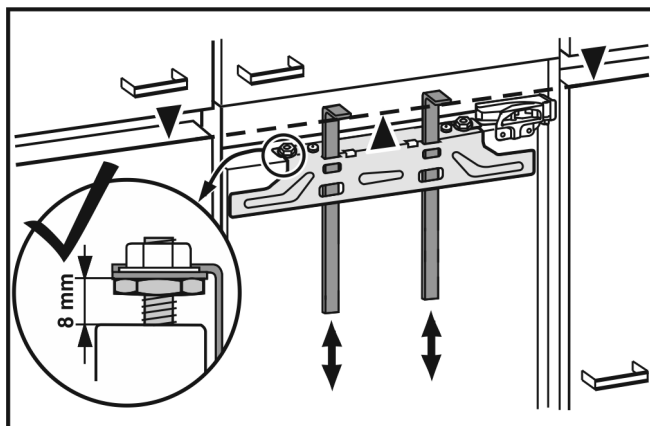


Fig. 44

- Fermer la porte.
- Vérifier le pré-réglage de 5/16 in. (8 mm).
- Pousser les gabarits de montage vers le haut à hauteur de porte du placard. Bord inférieur de butée du gabarit de montage = bord supérieur de la porte à monter.

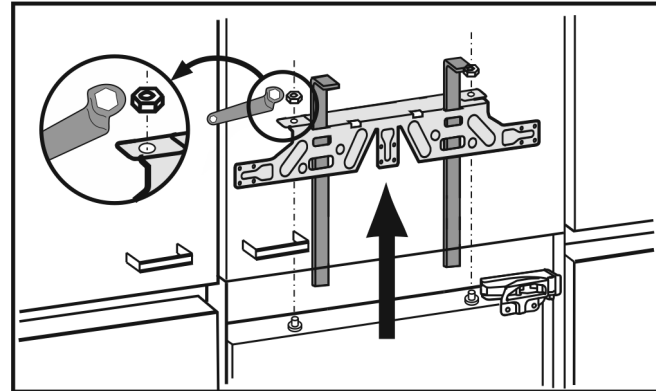


Fig. 45

- Dévisser les contre-écrous et retirer la traverse de fixation.

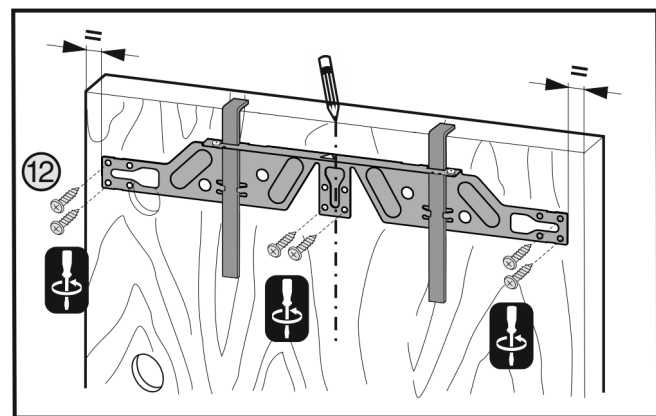


Fig. 46

- Accrocher la traverse de fixation sur la face intérieure de la porte de placard.
- Pour une niche de 22 in. (560 mm) de large :
- Aligner la traverse de fixation au centre sur la porte.

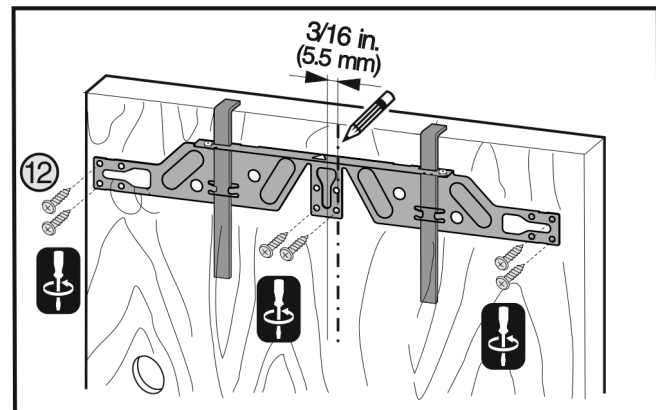


Fig. 47

- Pour une niche de 22 3/4 in. (578 mm) de large :
- Aligner la traverse de fixation au centre sur la porte, puis pousser 3/16 (5.5 mm) vers le côté charnières.
- Monter la traverse de fixation avec au moins 6 vis pour des portes de plaques d'agglomérés et au moins 4 vis pour des portes à moulures.

Installer l'appareil dans la niche.

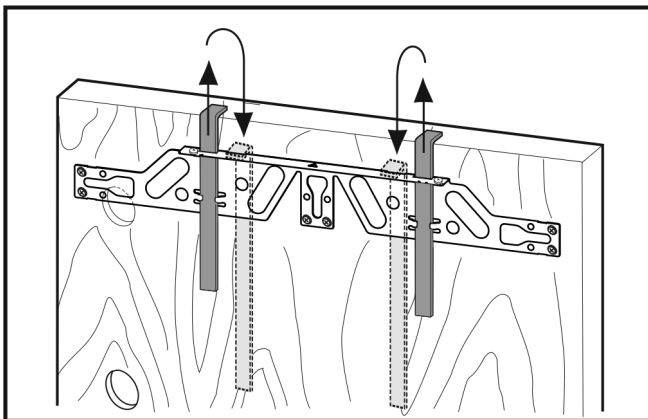


Fig. 48

- ▶ Extraire les gabarits de montage et les insérer tournés dans l'ouverture de logement adjacente.

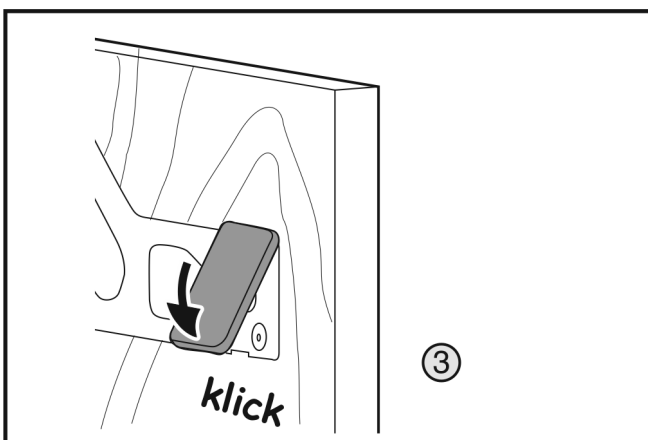


Fig. 49

- ▶ Enclipser le cache du côté poignée sur la traverse de fixation.

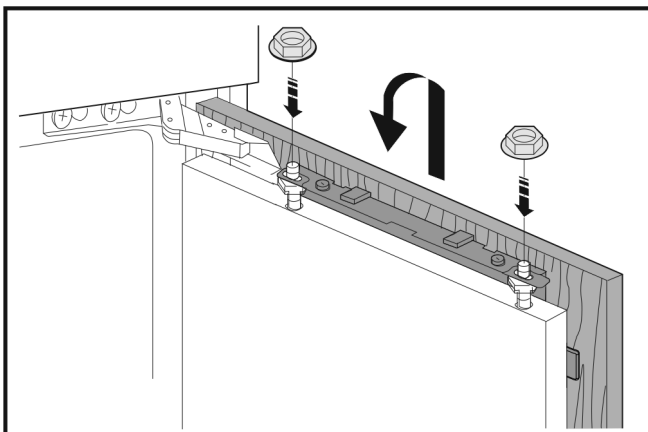


Fig. 50

- ▶ Accrocher la porte du placard et visser légèrement les contre-écrous sur les boulons d'ajustement.

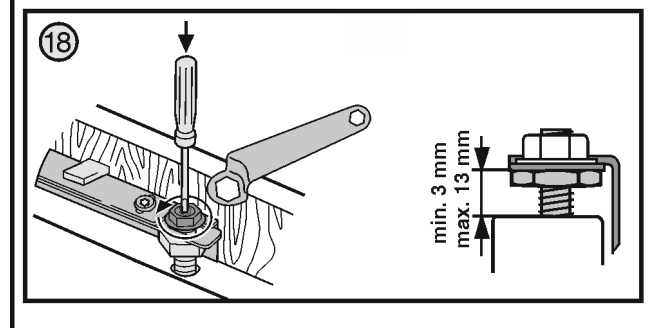
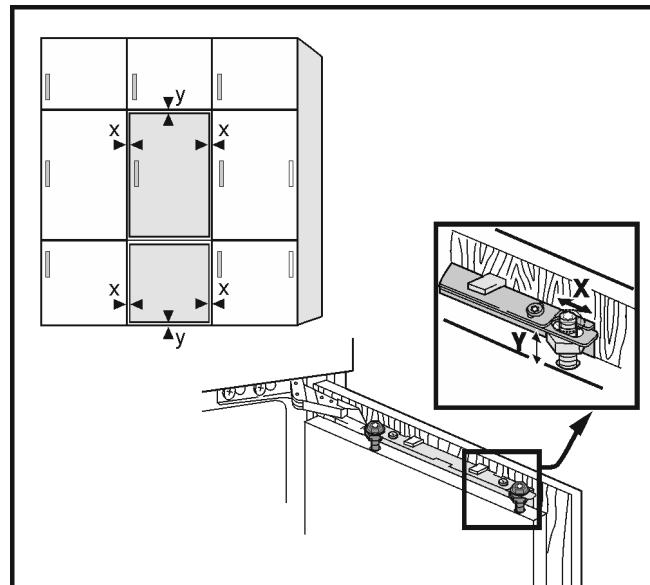


Fig. 51

- ▶ Aligner la porte de placard à l'aide des boulons d'ajustement dans le sens X et Y.
- ▶ Serrer les contre-écrous.

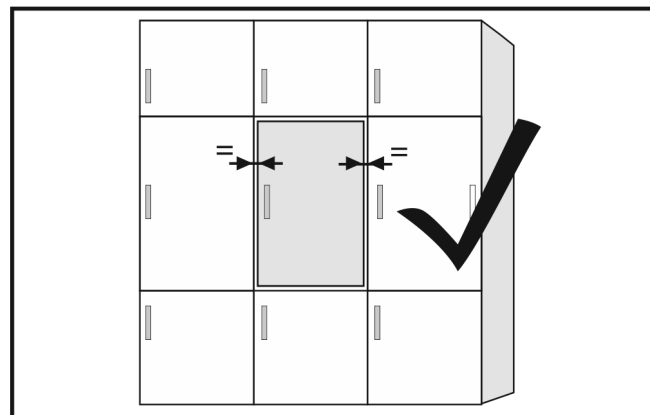


Fig. 52

- ▶ Vérifier la distance de la porte par rapport aux autres portes de placard.

Installer l'appareil dans la niche.

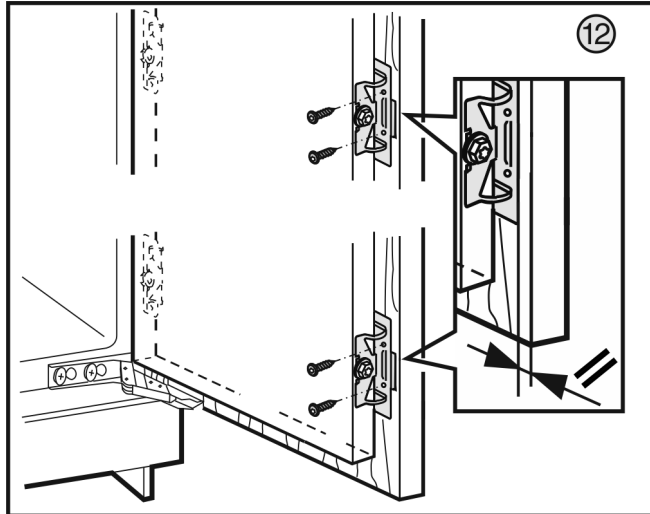


Fig. 53

- Aligner le bord avant de la cornière en acier pour ressort parallèlement au bord de la porte de placard et visser fermement la cornière.

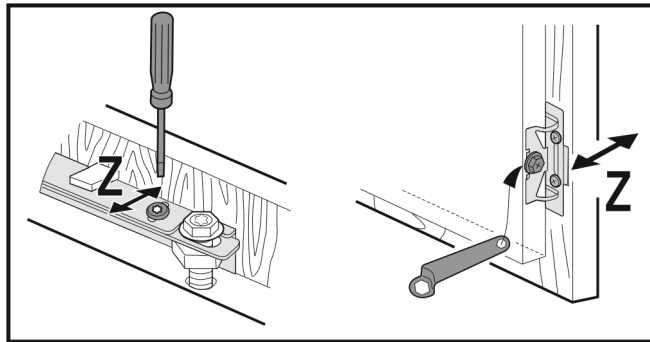


Fig. 54

- Aligner la porte de placard dans le sens Z : desserrer la vis de réglage sur la traverse de fixation et la vis sur la cornière en acier pour ressort, ensuite déplacer la porte.

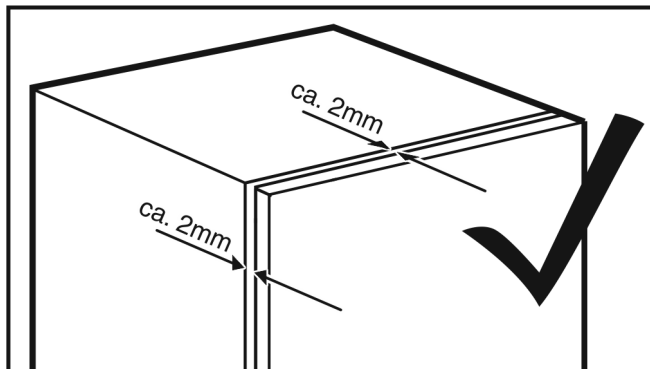


Fig. 55

- Vérifier l'écartement entre la porte de placard et le corps de meuble.
- Vérifier toutes les vis, les resserrer si nécessaire.

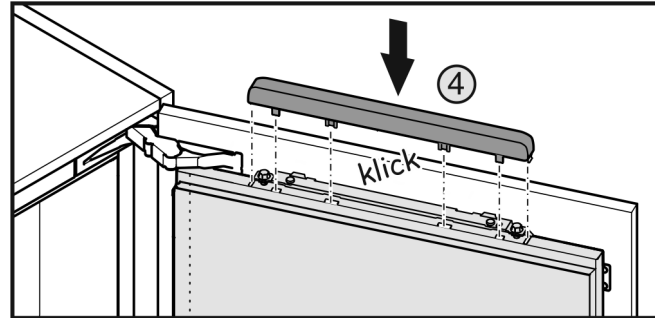


Fig. 56

- Enclipser le cache supérieur.

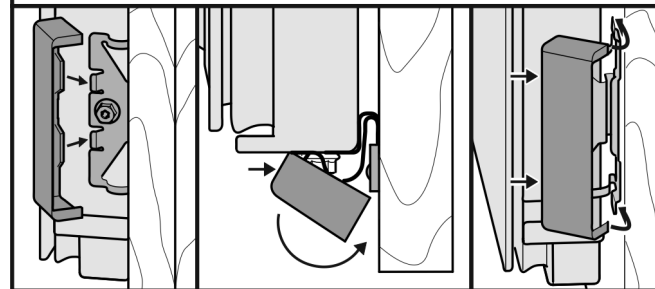
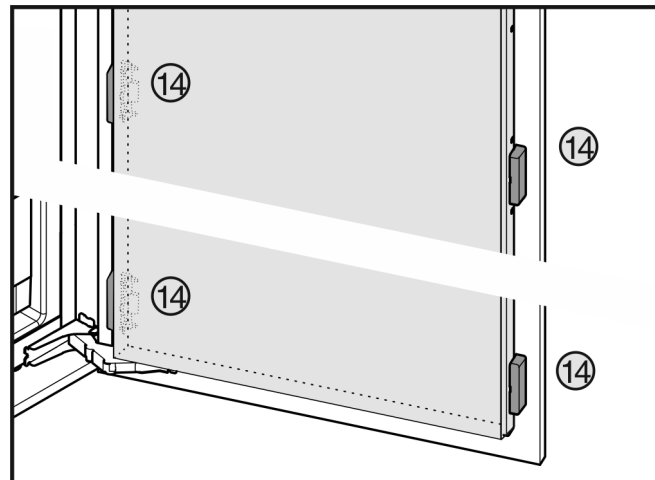


Fig. 57

- Placer le cache sur la cornière en acier pour ressort : accrocher devant, introduire par pivotement derrière et faire encliquer en haut et en bas.

Eliminer l'emballage

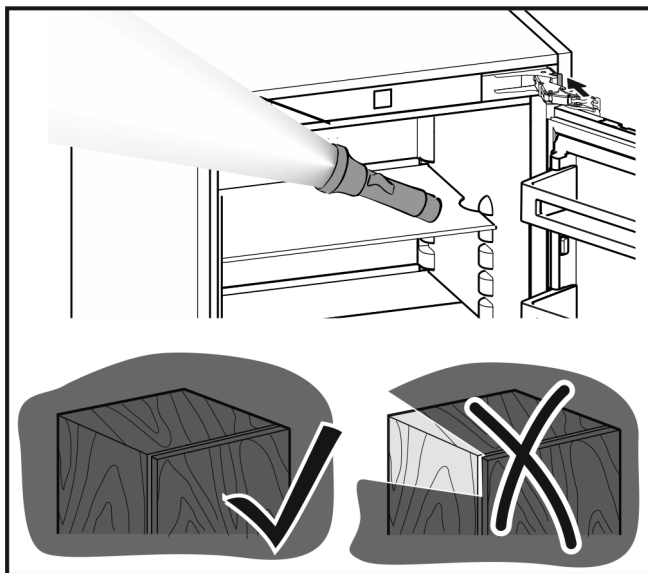


Fig. 58

Contrôler les points suivants afin d'être certain que l'appareil est installé correctement. Une installation incorrecte risque d'entraîner la formation de givre et de condensation d'eau ainsi que des dysfonctionnements :

- ▷ La porte doit fermer correctement.
- ▷ La porte du placard ne doit pas être en contact avec le corps du placard.
- ▷ Le joint du coin supérieur côté poignée doit être bien fixé. Pour vérifier, assombrir la pièce, placer une lampe de poche en haut dans l'appareil et fermer la porte. Si de la lumière transparaît, vérifier le montage.

11 Eliminer l'emballage



AVERTISSEMENT

Risque d'étouffement avec les films et matériaux d'emballage !

- ▶ Ne pas laisser les enfants jouer avec les matériaux d'emballage.

L'emballage est fabriqué en matériaux recyclables :



- carton ondulé / carton
 - pièces en polystyrène expansé
 - films et sachets en polyéthylène
 - colliers de serrage en polypropylène
 - cadres en bois cloués avec plaque de polyéthylène*
- ▶ Déposer les matériaux d'emballage à un centre officiel de collecte des déchets.

12 Brancher l'appareil



AVERTISSEMENT

Risque de décharge électrique !

- ▶ L'appareil ne doit être mis en marche qu'après avoir été monté et encastré selon les consignes mentionnées ci-dessus.
- ▶ Mise à la terre de l'appareil
- ▶ Ne pas effectuer de mise à la terre de l'appareil au dessus d'une conduite de gaz.
- ▶ Faites venir un spécialiste si vous n'êtes pas certain de la mise à la terre correcte de l'appareil.
- ▶ Ne pas intégrer de fusible dans le circuit électrique du conducteur neutre ou de la mise à la terre.
- ▶ Ne pas utiliser de rallonges ou de multiprises.
- ▶ Ne pas utiliser de câble d'alimentation abrasé ou endommagé.



AVERTISSEMENT

Risque de décharge électrique !

Cet appareil est équipé d'une prise à trois pôles avec détrompeur pour éviter tout risque décharge électrique. La prise doit être mise à la terre correctement.

- ▶ Il est formellement interdit de retirer la broche circulaire de mise à la terre de la prise.
- ▶ Utilisez exclusivement un adaptateur de prise mis à la terre.

- Attendre 1 heure après la mise en place avant de raccorder l'appareil au réseau électrique. Ceci permet au fluide réfrigérant et à l'huile réfrigérante de se répartir correctement.
- S'assurer que la tension du réseau électrique correspond à la tension d'alimentation de l'appareil. Pour un fonctionnement correct de l'appareil, prévoir une alimentation de 110 - 120 V, 60 Hz (et 15 A (20 A si la mise en place se fait côte à côte) sécurisé par un commutateur principal ou un fusible.
- Le fabricant conseille d'alimenter l'appareil par un circuit électrique séparé pour éviter les surcharges électriques.
- Respecter l'ensemble des normes en vigueur pour ce qui est des installations électriques, de la protection contre les incendies et du code de construction lors de la mise en place d'une prise et/ou de l'appareil.
- Dans certains pays, le branchement de l'appareil au réseau électrique doit être fait avec la mise en place d'un commutateur MARCHE/ARRET installé dans le mur.
- La mise en place et le branchement de l'appareil doivent être effectués par un spécialiste, en respectant l'ensemble des consignes et normes en vigueur ainsi que les règles en matière de , protection contre les incendies afin de réduire tout risque d'incendie, de décharges électriques, d'électrocution ou autres blessures.

Brancher l'appareil

- La prise de courant doit être bien accessible afin de pouvoir débrancher rapidement l'appareil en cas d'urgence. Elle doit se situer en dehors de la partie arrière de l'appareil.
- La prise doit être disposée de telle manière que son arête supérieure se situe à une distance maximale de 82-5/8 pouces (2100 mm) par rapport à l'arête supérieure de la plaque de base du meuble de cuisine.

For Service in the U.S.:

Liebherr Service Center

Toll Free: 1-866-LIEBHER or 1-866-543-2437

Service-appliances.us@liebherr.com
PlusOne Solutions, Inc.
3501 Quadrangle Blvd, Suite 120
Orlando, FL 32817

For Service in Canada:

Liebherr Service Center

Toll Free: 1-888-LIEBHER or 1-888-543-2437

www.euro-parts.ca
EURO-PARTS CANADA
39822 Belgrave Road
Belgrave, Ontario, N0G 1E0
Phone: (519) 357-3320
Fax: (519) 357-1326

www.liebherr-appliances.com