

## INTRODUCING THE NEW LINE OF LYNX OUTDOOR KITCHEN PRODUCTS

The Lynx L500 grill and related accessories form a completely new line of Lynx products developed to provide extraordinary value in the premium outdoor kitchen market.

Powered by two primary burners, the L500 grill offers outdoor chefs the high performance Lynx ProSear burner to perfectly sear fish and steak then quickly adjust down to medium and low temperatures for finishing to perfection. The fit and finish of the L500 is unmistakably Lynx – the welded and polished stainless steel and signature Lynx aesthetic perfectly positions the L500 as the introductory Lynx grill. Built by the same dedicated Lynx employees in the same Lynx factory in Commerce, CA to the same exacting Lynx quality standards, the L500 grill naturally carries the same industry leading Lynx warranty.

A thoughtful line of accessory products meets all your needs for gracious outdoor entertaining.

*Shown: Lynx L500 professional grill with cart.*

The best outdoor kitchen products come from:  
Lynx Professional Grills,  
6023 East Bandini Blvd.  
Commerce, CA 90040

For more information please call,  
1-888-879-2322 or visit [www.lynxgrills.com](http://www.lynxgrills.com)

P/N 32598 2/12 2012 ©Lynx Professional Grills



QUALITY AND  
PERFORMANCE  
BY DESIGN.



# THE LYNX L500 COLLECTION

## LYNX L500 PROFESSIONAL GRILL

### Model L500R & L500CART

ProSear and stainless steel tube burners - non-IR models available

733-sq. in. cooking surface (508 primary, 225 secondary)

Spark ignition system with battery back-up

Control illumination with blue LEDs

Halogen grill surface light

Temperature gauge

Lynx Hood Assist Kit

Stainless steel grill grates

Rotisserie models include rotis motor, built-in rear infrared burner, spit rod and forks.

Separate cart available to convert Built-In model to Freestanding. Cart includes four swivel casters.



Built-in model available

Model	Description
L500PS	1 Stainless Steel Tube Burner w/ 1 ProSear™ Burner
L500	2 Stainless Steel Tube Burners
L500PSR	1 Stainless Steel Tube Burner w/ 1 ProSear™ & Rotisserie
L500R	2 Stainless Steel Tube Burners w/ Rotisserie
L500CART	Cart for L500 Grill

## WELL BUILT BY HIGHLY TRAINED CRAFTSMEN.

The Lynx L500 grill is built by the same employees in the same factory, and to the same exacting quality standards as all Lynx grills. Our L500 grills carry the same industry leading Lynx warranty.



## STAINLESS STEEL BURNERS TIME TESTED DESIGN PROVIDES QUICK EVEN HEAT.

Durable stainless steel tube burners with briquettes ensure instant ignition with steady and even heat distribution. The stainless tube burners are covered by a seven year warranty.



## PROSEAR™ VARIABLE SEARING TECHNOLOGY FOR RESTAURANT- QUALITY PERFORMANCE.

Unlike many grills with infrared searing burners, which only offer two settings – hi or off – the Lynx ProSear™ infrared burner is variable, allowing you to sear the baseball-cut filet mignon like the restaurant, then throttle it back to cook delicate seafood like scallops. This is the same ProSear burner Lynx has used for years.



## LYNX L500 GRILLS & COMPLIMENTARY PRODUCTS

MODEL	DESCRIPTION
L500PS	L500 Grill with 1 ProSear™ Burner & 1 Stainless Steel Tube Burner
L500	L500 Grill, 2 Stainless Steel Tube Burners
L500PSR	L500 Grill with Rotisserie, 1 ProSear™ Burner & 1 Stainless Steel Tube Burner
L500R	L500 Grill with Rotisserie & 2 Stainless Steel Tube Burners
L500CART	Cart for L500 Grill
LDR530	30" Double Door - 500 Series
LUD517	17" Double Drawers - 500 Series
LSA530	30" Storage Door & Double Drawer Combo - 500 Series
LTA530	30" Trash Center & Double Drawer Combo - 500 Series
LSB501	Single Side Burner - 500 Series
LSB502	Double Side Burner - 500 Series
L500REF	20" Outdoor Refrigerator
LIJ500	Insulating Jacket - 500 Series
LIAK500	L500 Grill, Island Adapter Kit
VC500	L500 Vinyl Cover Built-in
VC500F	L500 Vinyl Cover Freestanding

# SPECIFICATIONS

The guides, measurements and dimensions detailed below are designed to assist you with planning your outdoor kitchen. Please note: because of continuing product innovation, specifications are subject to change without notice. **Important:** Please reference the Care & Use / Installation Manual for details on gas plumbing requirements, electrical specifications and the proper installation of your Lynx outdoor kitchen equipment. This manual can be downloaded from the Lynx website at [www.lynxgrills.com](http://www.lynxgrills.com)

## THE LYNX L500 COLLECTION

### BUILT-IN GRILL

Model	A	B	C	D	E	F
L500	29.00	18.75	10.13	-	-	-

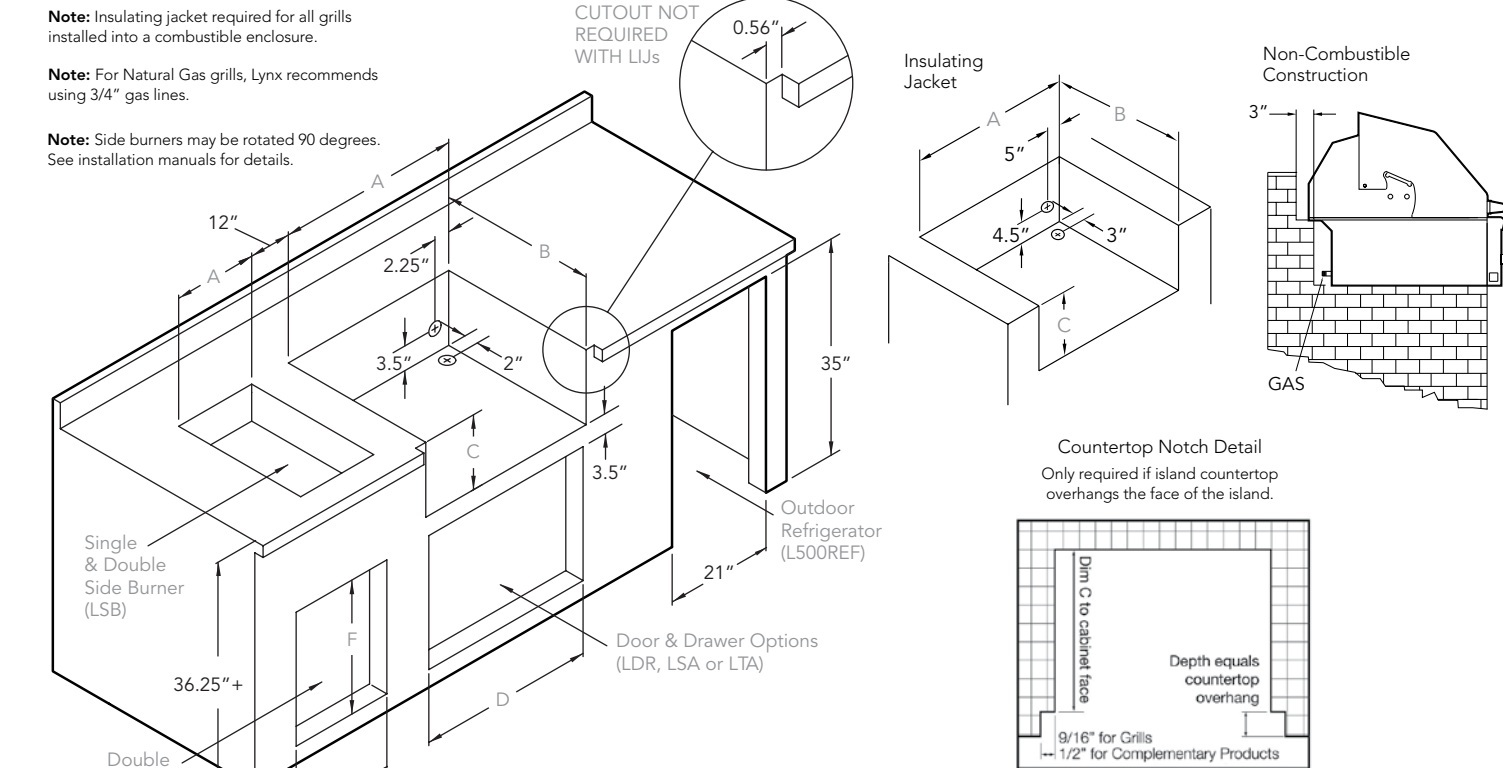
Measurements in inches.

### BUILT-IN GRILL W/ INSULATING JACKET

Model	A	B	C	D	E	F
LIJ500	36.00	23.25	11.62	-	-	-

### COMPLEMENTARY PRODUCTS

Model	A	B	C	D	E	F
LSB501	11.00	16.00	-	-	-	-
LSB502	22.00	22.00	-	-	-	-
LDR530	-	-	-	28.50	-	19.00
LSA530	-	21.00	-	28.50	-	19.00
LTA530	-	21.00	-	28.50	-	19.00
LUD517	-	-	-	-	17.25	12.75
L500REF	-	26.00	-	-	21.00	35.00



## COMPLEMENTARY PRODUCTS

Lynx offers a complete line of complementary products to allow you to fully equip your Outdoor Kitchen. This includes a variety of storage drawers, combination storage systems, side burners, a refrigerator and insulating jacket and vinyl covers. Lynx adaptor kits allow the L500 to fit into a variety of existing island cutouts.



17" Double Drawers



30" Double Doors



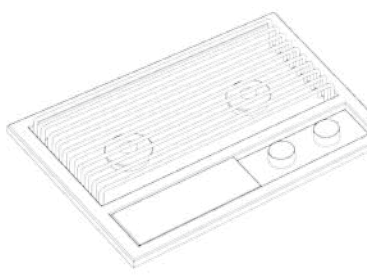
30" Trash Center & Double Drawers



30" Storage Door & Double Drawers



20" Outdoor Refrigerator



Dual Side Burner



Grill Surface Light



Rotisserie System



Hood Assist Kit