

INSTALLATION MANUAL

For THERMADOR PROFESSIONAL® Rangetops

MANUEL D'INSTALLATION

Des tables de cuisson THERMADOR PROFESSIONAL^{mc}

MANUAL DE INSTALACIÓN

Para Parrillas de THERMADOR PROFESSIONAL®

**Models/
Modèles/
Modelos:**

PCG304G
PCG364GD
PCG366G
PCG486GD
PCG364NL
PCG486NL

Thermador [®]
REAL INNOVATIONS FOR REAL COOKS[®]



Table of Contents

Safety Instructions	1
Important Installation Information	2
Planning Information	2
Step 1: Ventilation Requirements	3
Step 2: Cabinet Preparation	4
Step 3: Unpacking, Moving, Placing & Anchoring the Cooktop.	6
Step 4: Gas Requirements and Hookup	9
Step 5: Electrical Requirements, Connection and Grounding	11
Step 6: Backguard Installation	12
Step 7: Burner Test	13
Installer Checklist	14
Service, Parts & Accessories	back page

This THERMADOR® appliance is made by
BSH Home Appliances Corporation
1901 Main Street, Suite 600
Irvine, CA 92614

Questions?

1-800-735-4328

www.thermador.com

We look forward to hearing from you!

Safety Instructions



IMPORTANT SAFETY INSTRUCTIONS READ AND SAVE THESE INSTRUCTIONS

IMPORTANT: Save these Instructions for the Local Gas Inspector's use.

INSTALLER: Please leave these Installation Instructions with this unit for the owner.

OWNER: Please retain these instructions for future reference.

GROUNDING INSTRUCTIONS

This appliance must be grounded. Grounding reduces the risk of electric shock by providing a safe pathway for electric current in the event of a short circuit.

WARNING!

State of California Proposition 65 Warnings:

This product contains chemicals known to the State of California to cause cancer, birth defects or other reproductive harm.

WARNING!

Improper installation, adjustment, alteration, service or maintenance can cause injury or property damage. Refer to this manual. For assistance or additional information consult a qualified installer, service agency, manufacturer (dealer) or the gas supplier.

For Massachusetts Installations:

1. Installation must be performed by a qualified or licensed contractor, plumber or gas fitter qualified or licensed by the state, province or region where this appliance is being installed.
2. Shut-off valve must be a "T" handle gas cock.
3. Flexible gas connector must not be longer than 36" (914mm).

WARNING!



ELECTRICAL SHOCK HAZARD

Disconnect power before installing or servicing. Before turning power ON, be sure that all controls are in the OFF position. Failure to do so can result in death or electrical shock.

WARNING!



If the information in this manual is not followed exactly, a fire or explosion may result causing property damage, personal injury or death.

- Do not store or use gasoline or other flammable vapors and liquids in the vicinity of this or any other appliance.
- WHAT TO DO IF YOU SMELL GAS
 - Do not try to light any appliance.
 - Do not touch any electrical switch.
 - Do not use any phone in your building.
 - Immediately call your gas supplier from a neighbor's phone. Follow the gas supplier's instructions.
 - If you cannot reach your gas supplier, call the fire department.
- Installation and service must be performed by a qualified installer, service agency or the gas supplier.

IMPORTANT:

Local codes vary. Installer is responsible for ensuring that the installation, gas connections, and grounding comply with all applicable codes. Failure to follow appropriate local codes and regulations may void the warranty.

NOTE:

This rangetop is **NOT** designed for installation in manufactured (mobile) homes or for installation in recreational park trailers.

DO NOT install this appliance outdoors.

Data Rating Plate

The data rating plate showing the model and serial numbers of your rangetop is located on the underside of the rangetop chassis near the front of the unit (*Figure 9 on page 8*). This information is required if customer service is requested. Before installation, the model and serial numbers should be entered in the appropriate spaces in the "BEFORE CALLING FOR SERVICE" section near the back of the Use and Care Guide. After installation, accessing the information is difficult.

Important Installation Information

Planning Information

Before using your appliance, be sure to read this manual. Pay special attention to the *Important Safety Instructions* located at the beginning of the manual.

Electrical Power Supply

30" Model:

4 Burners - 120 VAC, 60 Hz., 1 Ph., 10 Amp dedicated circuit

36" Models:

6 Burners - 120 VAC, 60 Hz., 1 Ph., 10 Amp dedicated circuit
4 Burners with Electric Griddle or Grill – 120 VAC, 60 Hz., 1 Ph., 15 Amp dedicated circuit

48" Model:

6 Burners with Electric Griddle or Grill – 120 VAC, 60 Hz., 1 Ph., 15 Amp dedicated circuit

Gas Supply

Natural Gas

6" water column (14.9 mb) min., 14" (34.9 mb) maximum

Propane Gas

11" water column (27.4 mb) min., 14" (34.9 mb) maximum

All sealed burners are rated at 18,000 BTU/HR (*15,000 BTU/HR on LP). *All models are convertible to LP/Propane gas using an accessory conversion kit.

IMPORTANT:

When installing against a combustible surface, a Low Backguard is required. A THERMADOR™ Low Backguard must be purchased separately. See "*Step 6: Backguard Installation*" on page 12 for backguard and installation information.

When using the Flush Island Trim, THERMADOR recommends a minimum 12" (305 mm) rear clearance to a combustible surface (see *Figure 1, Clearance Requirements*). Clearances from non-combustible materials are not part of the ANSI Z21.1 scope and are not certified by CSA. Clearances of less than 12" (305 mm) must be approved by the local codes and/or by the local authority having jurisdiction.

It is strongly recommended that this appliance be installed in conjunction with a suitable overhead vent hood (see "*Step 1: Ventilation Requirements*" on page 3). Due to the high heat capability of this unit, particular attention should be paid to the hood and duct work installation to assure it meets local building codes.

Check local building codes for the proper method of appliance installation. Local codes vary. Installation, electrical connections and grounding must comply with all applicable codes. In the absence of local codes the appliance should be installed in accordance with the National Electric Code ANSI Z223.1 current issue and National Gas Code ANSI/NFPA 70 – current issue. In Canada, installation must be in accordance with the CAN 1-B149.1 and .2 – Installation Codes for Gas Burning Appliances and/or local codes.

This appliance is equipped with an intermittent/interrupted ignition device that cycles the two far left surface burners on and off when in the ExtraLow® setting.



Remove all tape and packaging before using the appliance. Please, recycle the packaging material, as all THERMADOR appliance packaging material is recyclable. Never allow children to play with packaging material.

⚠ CAUTION!

When connecting the unit to propane gas, make certain the propane gas tank is equipped with its own high-pressure regulator in addition to the pressure regulator supplied with the rangetop. The maximum gas pressure to this appliance must not exceed 14.0" water column (34.9 mb) from the propane gas tank to the pressure regulator.

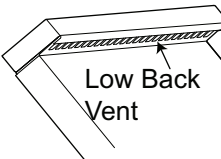
⚠ CAUTION!

This unit is designed as a cooking appliance. Based on safety considerations, never use it for warming or heating a room.

⚠ CAUTION!

To eliminate risk of burns or fire caused by reaching over heated surface units, cabinet storage located above the surface units should be avoided.

WARNING!



DO NOT block or obstruct the flow of air through the ventilation openings. The vent is located at the back of the appliance. The vent needs to be unobstructed and open to provide necessary airflow that is important for proper performance.

DO NOT touch vent area while the appliance is on and for several minutes after the appliance is off. Some parts of the vent and surrounding areas become hot enough to cause burns. Allow appliance sufficient time to cool before touching or cleaning vent areas.

DO NOT position plastic or other heat-sensitive items on or near the vent. These items could melt or ignite.

Safety Codes and Standards

This appliance complies with one or more of the following Standards:

- UL 858, The Standard for the Safety of Household Electric Ranges
- ANSI Z21.1, The American National Standard for Household Cooking Gas Appliances
- CAN 1-1.1-M81, Domestic Gas Ranges
- CSA C22.2 No. 61, Household Cooking Ranges

It is the responsibility of the owner and the installer to determine if additional requirements and/or standards apply to specific installations.

TOOLS NEEDED	
Phillips screwdriver	T-20 Torx screwdriver
Jigsaw	12" adjustable wrench
Level	Tape measure
Protective gloves	Marking instrument
ITEMS NOT INCLUDED	
3/4" (19 mm) Flex Line	Pipe Compound/Tape

Step 1: Ventilation Requirements

Refer to the Ventilation Planning Guide for approved ventilation combinations.

It is strongly recommended that this appliance be installed in conjunction with a THERMADOR vent hood. Due to the high heat capability of this unit, particular attention should be paid to the hood and duct work installation to assure it meets local building codes.

Downdraft ventilation should not be used. The *Ventilation Planning Guide* indicates the ventilation hood options and blower capacity guidelines that are recommended for use with all THERMADOR® ranges.

Due to the high heat of the rangetop burners, installing a microwave oven with a ventilation system over the rangetop is not recommended.

IMPORTANT:

Ventilation hoods and blowers are designed for use with single wall ducting. However, some local building codes or inspectors may require double wall ducting. Consult local building codes and/or local agencies before starting to assure that hood and duct installation will meet local requirements.

NOTICE:

Most ventilation hoods contain combustible components which must be considered when planning the installation.

1. Select Hood and Blower Models:

- For wall installations, the hood width must, at a minimum, equal the width of the rangetop. Where space permits, a hood larger in width than the rangetop may be desirable for improved ventilation performance.
- For island installations, the hood width should overhang the rangetop by a minimum of 3" (76 mm) on each side.

2. Hood Placement:

- For best smoke elimination, the lower edge of the hood should be installed 30" (762 mm) above the rangetop cooking surface. Use a 36" (914 mm) minimum clearance if the hood contains any combustible materials such as a wood covering (see *Figure 1 on page 5*).

3. Consider Make-Up Air:

- Due to the high volume of ventilation air, a source of outside replacement air is recommended. This is particularly important for tightly sealed and insulated homes.

- A qualified heating and ventilating contractor should be consulted.

WARNING!

This appliance should not be installed with a ventilation system that directs air in a downward direction toward the range. This type of ventilation system may cause ignition and combustion problems with the appliance resulting in personal injury, property damage, or unintended operation. Ventilating systems that direct the air upwards do not have any restriction.

Step 2: Cabinet Preparation

1. To ensure professional results, the cabinet and countertop openings should be prepared by a qualified cabinet worker.
2. The clearances shown in *Figure 1* are required. The same clearances apply to island installations, except for the overhead cabinets, which must have a space wide enough to accept the island hood.
3. The rangetop is designed to hang from the countertop by its side flanges. The countertop however, must be strong enough to support this rangetop. It may be necessary to add a supporting cleat along each side (see *Figure 2*) or a 2 x 4 corner brace (see *Figure 3* and *Figure 4* and Detail A). Another alternative would be to construct a deck to set the rangetop on.
4. The rangetop can be installed in various positions with the front either flush or projecting, depending on the countertop's depth. (See *Figure 5*, side view of rangetop; see *Figure 3*, *Figure 4*, *Figure 6* and *Figure 7* for alternate mounting positions.)
5. The gas and electrical supply must be located in an area that is accessible without requiring removal of the rangetop. The appliance electrical power cord and gas pipe connection are located as shown in *Figure 5* and *Figure 9*, respectively.
6. When installing against a combustible surface, a Low Back guard is required. A THERMADOR Low Back guard must be purchased separately (see "*Step 6: Backguard Installation*" on page 12).
7. When using the Flush Island Trim, THERMADOR® recommends a minimum 12" (305 mm) rear clearance to a combustible surface (see *Figure 1*, *Clearance Requirements*). Clearances from non-combustible materials are not part of the ANSI Z21.1 scope and are not certified by CSA. Clearances of less than 12" (305 mm) must be approved by the local codes and/or by the local authority having jurisdiction.
8. When the rangetop is installed against a combustible side wall a minimum clearance of 5" (127 mm) is needed from the side of the rangetop to the wall.
9. The maximum depth of over head cabinets installed on either side of the hood is 13" (330 mm).

10. There is a 36" (914 mm) minimum clearance required between the top of the cooking surface and the bottom of an unprotected cabinet. A 30" (762 mm) clearance can be used when the bottom of the wood or metal cabinet is protected by not less than 1/4" (6 mm) of a flame retardant material covered with not less than No. 28 MSG sheet steel, 0.015" (0.38 mm) thick stainless steel, 0.024" (0.61 mm) aluminum, or 0.02" (0.51 mm) thick copper.

Flame retardant materials bear the mark:
UNDERWRITERS LABORATORIES INC.

CLASSIFIED MINERAL AND FIBER BOARDS
SURFACE BURNING CHARACTERISTICS

followed by the flame spread and smoke ratings. These designations are shown as "FHC (Flame Spread/Smoke Developed)." Materials with "O" flame spread ratings are flame retardant. Local codes may allow other flame spread ratings. It is the responsibility of the installer to ensure installation is in accordance with these ratings.

11. Establish the centerline of the rangetop's desired location. It should be the same as the center of the overhead ventilation hood.
12. Cut the openings for the following installations:
 - Wall installation, see *Figure 3*.
 - Island installation, see *Figure 4*.
13. For installation of a 48" rangetop above two side-by-side THERMADOR® warming drawers (WD24), refer to *Figure 8*. Completing the installation as per *Figure 8* will result in the left and right edges of the rangetop being aligned with the left edge of the left-side warming drawer and right edge of the right-side warming drawer. If different alignment is desired, the 1 7/8" (48 mm) horizontal distance between warming drawer cutouts may be varied. However, maintain at least a 1 1/8" (29 mm) distance to avoid interference between the warming drawers. Attach a 90-degree elbow to the gas rangetop inlet pipe. All above-the-countertop clearances must be maintained, as shown in *Figure 1*.

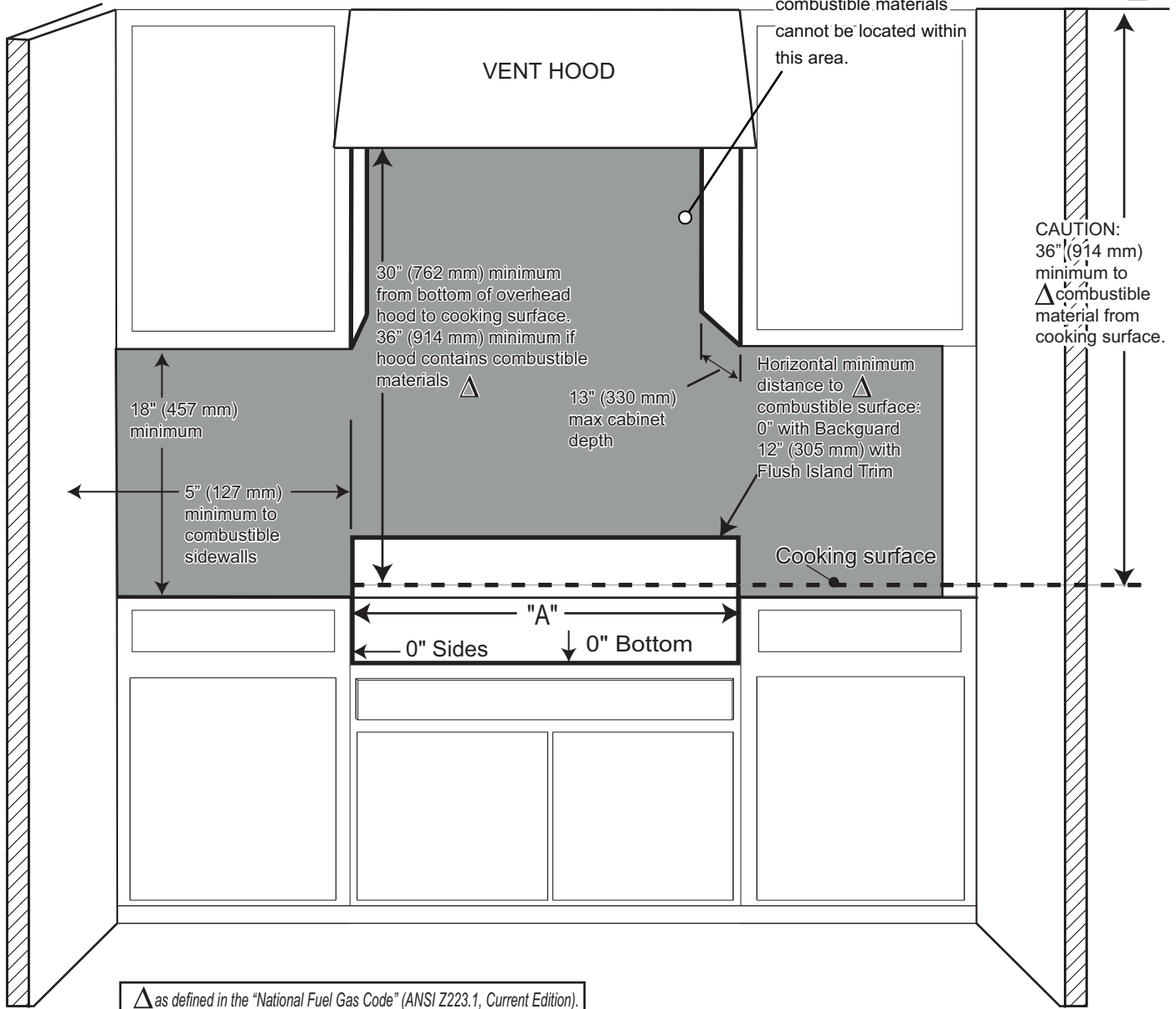
NOTES:

- If a solid side cabinet wall exists on one or both sides, you will need to notch the front corner of the cabinet to match the countertop notch and to allow clearance for the rangetop front (see Detail A, *Figure 3* and *Figure 4*).
- If a supporting deck is used, the sides or bottom of the cutout may be solid combustible or non-combustible material. If the bottom is solid, provide a 12" by 12" (305 x 305 mm) cutout in the left rear corner of the supporting deck. This will provide clearance for the gas inlet and power cord.
- Always keep appliance area clean and free from combustible materials, gasoline and other flammable vapors and liquids.
- Do not obstruct the flow of combustion and ventilation air to the unit.

30" to 36" (762 – 914 mm) wide hood for 30" rangetop
 36" to 42" (914 – 1,067 mm) wide hood for 36" rangetop
 48" to 60" (1,219 – 1,524 mm) wide hood for 48" rangetop

Shaded area above countertop indicates minimum clearance to combustible surfaces, combustible materials cannot be located within this area.

Combustible Materials Δ



Δ as defined in the "National Fuel Gas Code" (ANSI Z223.1, Current Edition). Clearances from non-combustible materials are not part of the ANSI Z21.1 scope and are not certified by CSA. Clearances of less than 12" (305 mm) must be approved by the local codes and/or by the local authority having jurisdiction.

Figure 1: Clearance Requirements

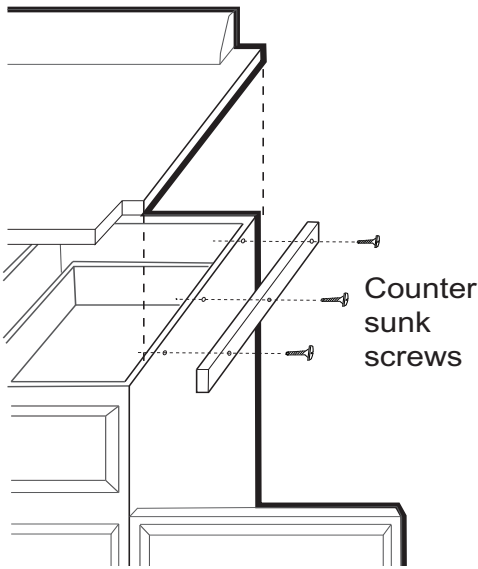


Figure 2: Installing Side Supports (both sides)

Vent Hood Width Requirements
 Island – 42" or 48" Wide Hood for 36" Rangetop
 Island – 54" or 60" Wide Hood for 48" Rangetop

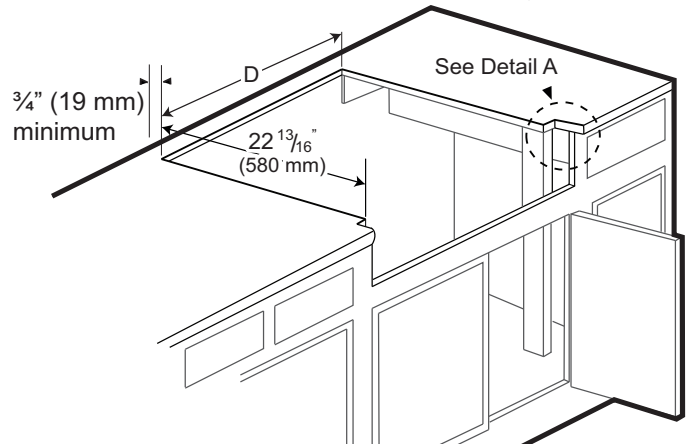


Figure 4: Island Installation (No Countertop Backsplash)

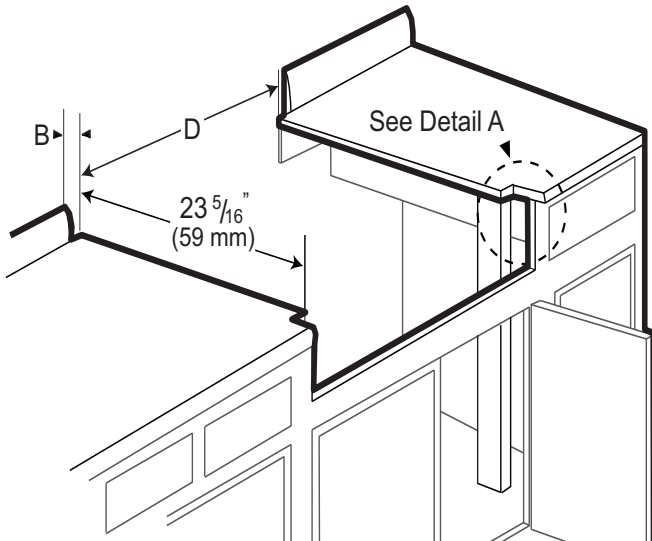
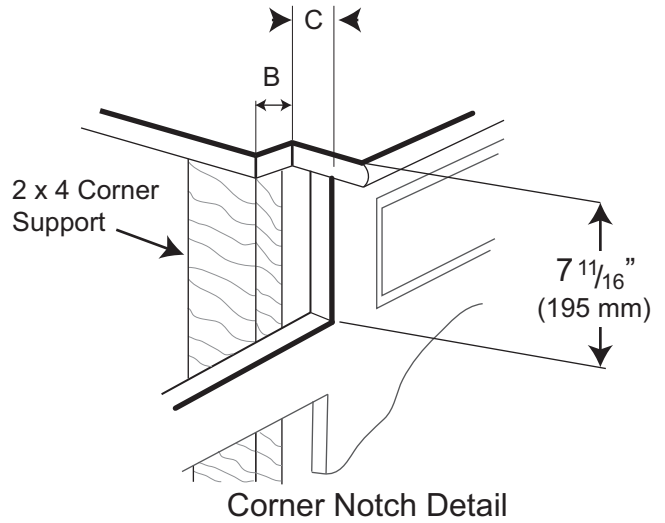
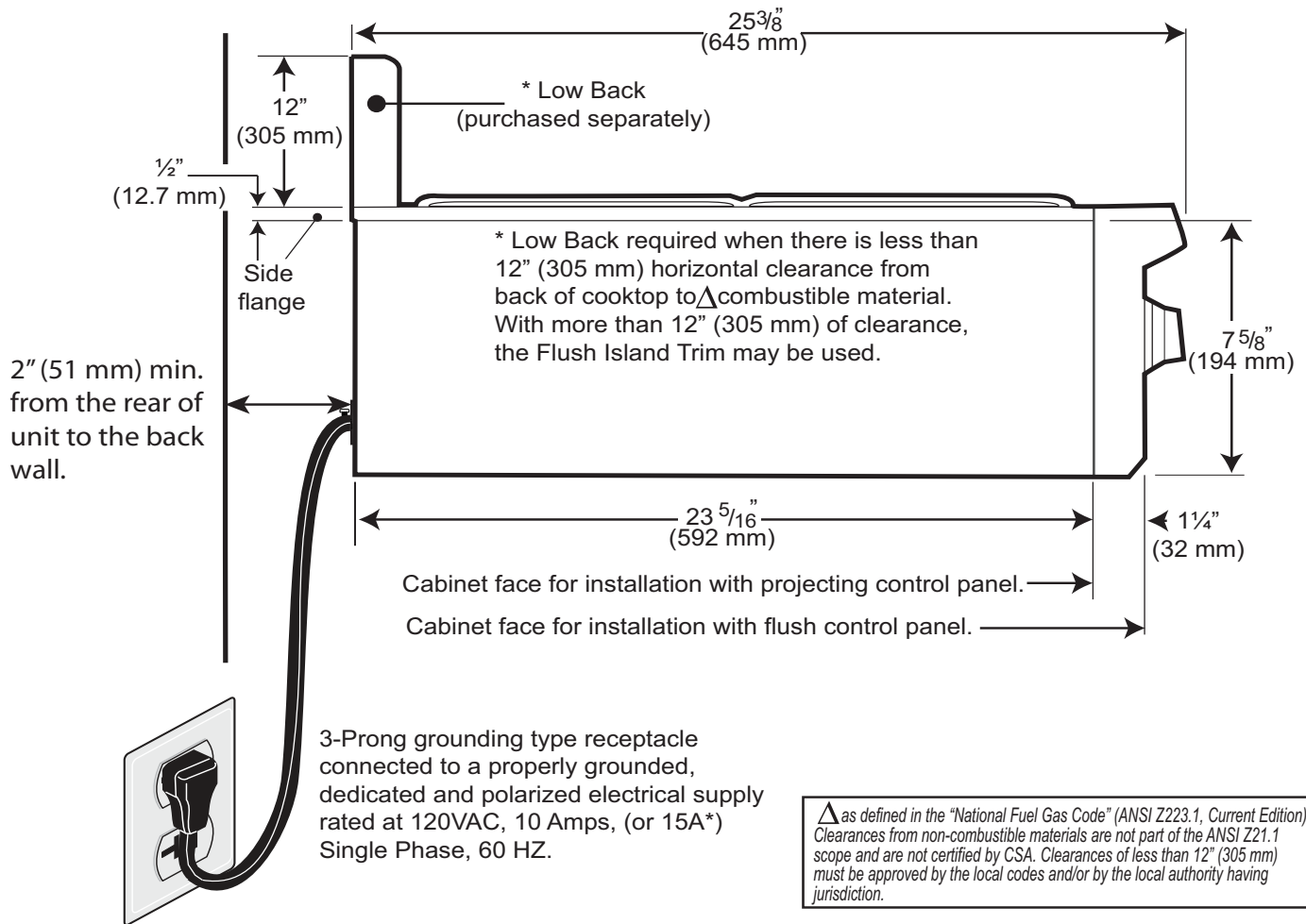


Figure 3: Wall Installation with Countertop Backsplash



Detail A: (Front Face of Cabinet)

	30" RANGETOP	36" RANGETOP	48" RANGETOP
A	29 7/8" (759 mm)	35 7/8" (911 mm)	47 7/8" (1216 mm)
B	3/8" (10 mm)	3/8" (10 mm)	13/16" (21 mm)
C	0" (0 mm) Control panel projecting 1 1/4" (32 mm) from base cabinet face; 11/16" (18 mm) Notch required for standard 24"- deep base cabinet; Control panel projecting 9/16" (14 mm) from base cabinet face; 1 1/4" (32 mm) Control panel flush to cabinet face - min. 24 9/16" (624 mm) - deep base cabinet required		
D	29 1/8" (740 mm)	35 1/8" (892 mm)	46 1/4" (1175 mm)



NOTE: Unit is shown with Low Back guard (purchased separately).

Figure 5: Side View of Rangetop

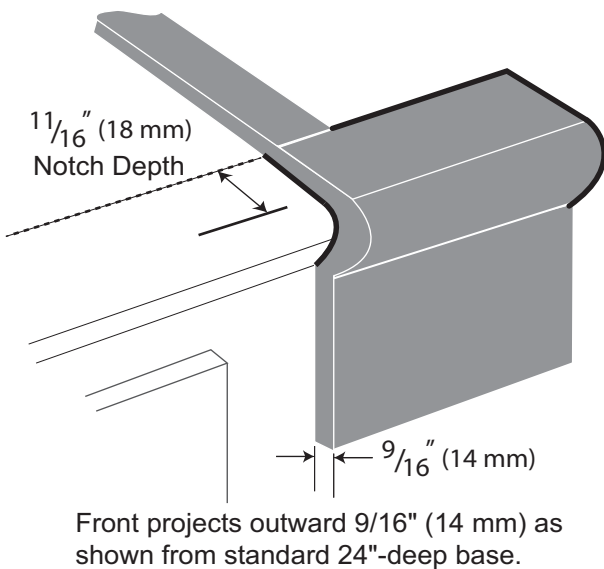


Figure 6: Projecting from Cabinet Front

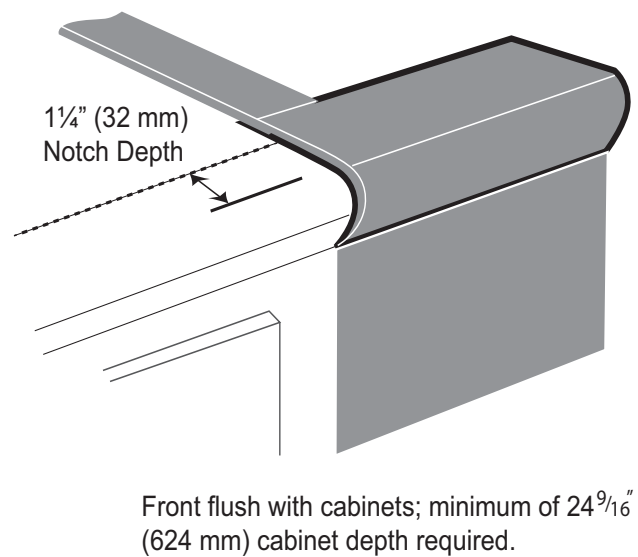


Figure 7: Flush to Cabinet Front

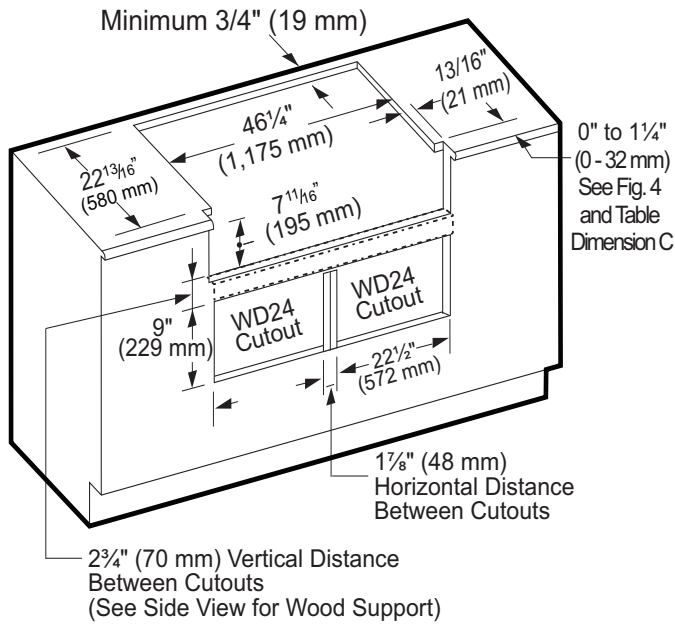


Figure 8a: Installation of 48" rangetop above two side-by-side THERMADOR warming drawers - Model No. WD24

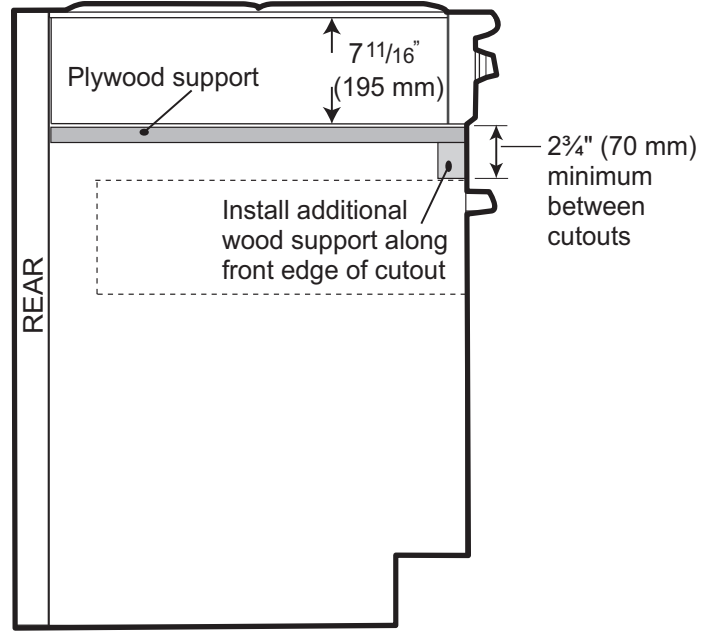


Figure 8b: Installation of 48" rangetop above two side-by-side THERMADOR warming drawers - Model No. WD24

GAS INLET LOCATION	
From left side to centerline of gas inlet	5 5/8" (143 mm)
From rear to centerline of gas inlet	8 1/2" (215 mm)

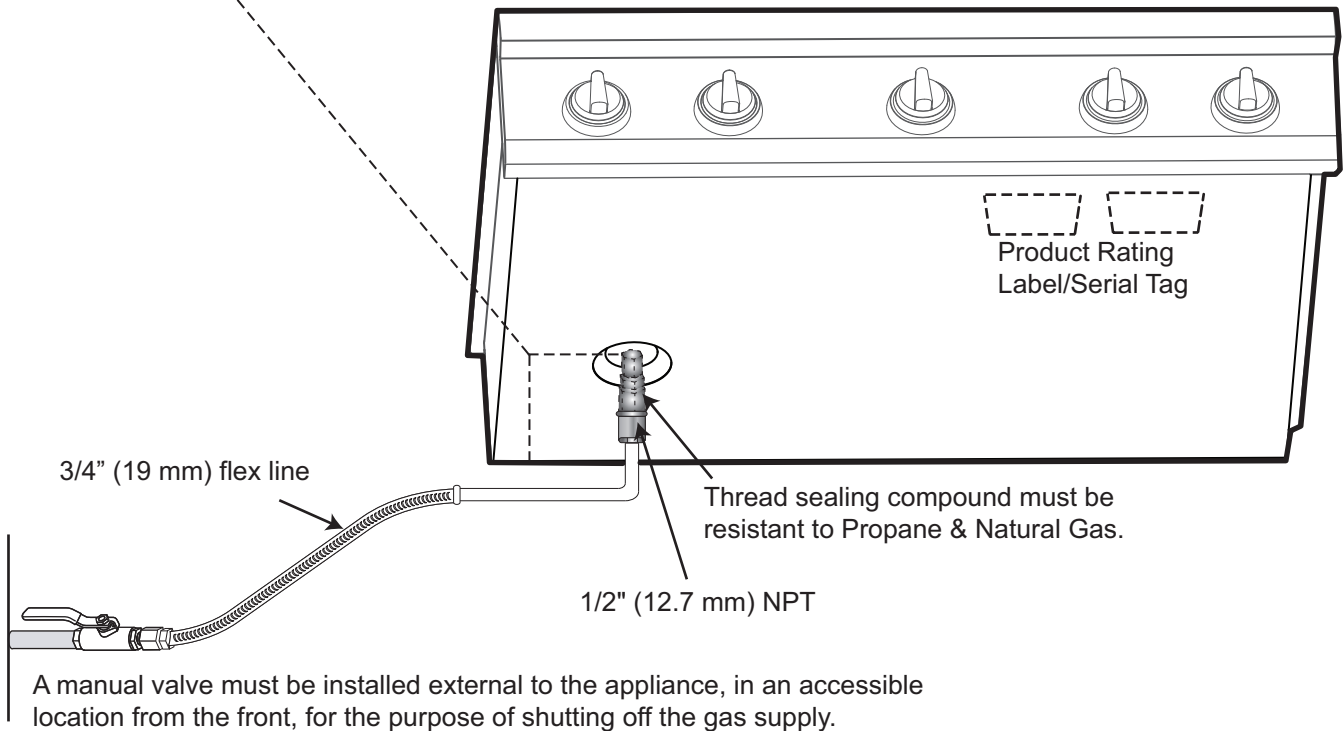


Figure 9: Bottom of Unit

All Installer supplied parts must conform to Local Codes.

* 15 Amp, 120 VAC dedicated electrical supply is required for 36" and 48" models with an electric griddle.

Step 3: Unpacking, Moving, & Anchoring the Rangetop

CAUTION!



Proper equipment and adequate manpower must be used in moving the appliance to avoid damage and/or personal injury. The unit is heavy and should be handled accordingly.

- Verify that the appliance is correct for the type of gas being provided. Refer to Step 4 before proceeding with the installation.
- Remove the outer carton and packing material from the shipping base. Ensure that you have all rangetop components before proceeding.
- Remove the cooking grates, griddle plate (if applicable), and burner caps to reduce rangetop's weight.
- Leave adhesive-backed foam layer over brushed-metal surfaces, to protect finish from scratches, until the rangetop is installed in its final position.
- Using a Phillips head screwdriver, remove the three mounting brackets securing the rangetop to the pallet. Discard the screws and brackets after removal.
- Attach the backguard before sliding the appliance into the final installed position (see Step 6).
- Lift and place the rangetop in the countertop opening. Be careful not to pinch the power cord or gas inlet. Care should be used not to scratch the countertop.
- Make sure that the power cord is free and hanging loose.
- The rangetop must be level for proper performance.
- Replace the cooking grates, griddle plate, and burner caps. Ensure that the burner caps are correctly seated on the burner bases.

Assembling the Grill (not all models)

Refer to "Using the Electric Grill" in the Use and Care Guide.

Griddle Tilt Adjustment (not all models)

Check the griddle adjustment by pouring two tablespoons of water on the back of the griddle plate (*Figure 10*). The water should slowly roll into the grease tray. If not, adjust the two screws under the back of the plate. Start with one half turn counter-clockwise (CCW) of the screws. Further adjustment should be made by one-quarter turn until water slowly flows into the grease tray.

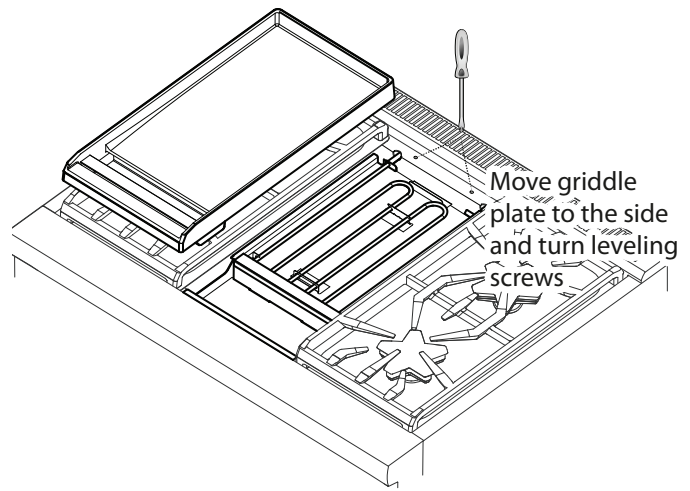


Figure 10: Griddle Plate Leveling Screws

Step 4: Gas Requirements and Hookup

Rangetops are shipped by the factory to operate on natural gas. They must be converted for use with propane. Verify the type of gas being used at the installation site matches the type of gas used by the appliance.

If the location site requires conversion from natural gas to propane (LP), contact the dealer where the unit was purchased or contact THERMADOR® to purchase a conversion kit. The field conversion kit for the rangetops in this series is THERMADOR Model PALPKITHC. Obey all instructions in this kit for correct conversion of the gas regulator and settings for the gas valves. Field conversion must be done by qualified service personnel only.

WARNING!

If a gas conversion kit is used, the kit shall be installed by a qualified service agency in accordance with the manufacturer's instructions and all applicable codes and requirements of the authority having jurisdiction. If the information in the instructions is not followed exactly, a fire, explosion or production of carbon monoxide may result causing property damage, personal injury or loss of life. The qualified service agency is responsible for the proper installation of the kit. The installation is not proper and complete until the operation of the converted appliance is checked as specified in the manufacturer's instructions supplied with the kit.

Natural Gas Requirements:

Inlet Connection: 1/2" NPT (min. 3/4" dia. flex line)
Supply Pressure: 6" min. to 14" max. water column
(14.9 to 34.9 mb)
Manifold Pressure: 5" water column (12.5 mb)

Propane Gas Requirements:

Inlet Connection: 1/2" NPT (min. 3/4" dia. flex line)
Supply Pressure: 11" min. to 14" max. water column
(27.4 mb to 34.9 mb)
Manifold Pressure: 10" water column (24.9 mb)

Hook Up

- A manual gas shut-off valve must be installed external to the appliance, in a location accessible from the front, for the purpose of shutting off the gas supply. The supply line must not interfere with the back of the unit. Make sure the gas supply is turned off at the manual shut-off valve before connecting the appliance.
- The installer should inform the owner of the location of the gas shut-off valve. Make sure all users know where and how to shut off the gas supply to the rangetop.
- The gas supply connections shall be made by a competent technician and in accordance with local codes or ordinances. In the absence of local codes, the installation must conform to the National Fuel Gas Code ANSI Z223.1/NFPA54-current issue.
- Always use pipe-sealing compound or Teflon[®] tape on the pipe threads, and be careful not to apply excessive pressure when tightening the fittings.
- All installer-supplied parts must conform to applicable codes.
- Leak testing of the appliance shall be in accordance with the following instructions.
 - Turn on gas and check supply line connections for leaks using a soap and water solution.
 - Bubbles forming indicate a gas leak. Repair all leaks immediately after finding them.

WARNING!

Do not use a flame of any kind to check for gas leaks.

CAUTION!

When connecting unit to propane gas, make certain the propane gas tank is equipped with its own high pressure regulator in addition to the pressure regulator supplied with the appliance. The pressure of the gas supplied to the appliance regulator must not exceed a 14" water column (34.9 mb).

CAUTION!

The appliance must be isolated from the gas supply piping system by closing its individual manual shut-off valve during any pressure testing of the gas supply piping system at test pressures equal to or less than 1/2 psig (3.5kPa).

The appliance and its individual shut off valve must be disconnected from the gas supply piping system during any pressure testing of the system at test pressures in excess of 1/2 psig (3.5kPa.).

When checking the manifold gas pressure, the inlet pressure to the regulator should be at least 6.0" W.C. for natural gas or 11.0" for propane.

Do not attempt any adjustment of the pressure regulator.

Step 5: Electrical Requirements, Connection and Grounding


MODEL TYPE	VOLTAGE	CIRCUIT RATING	FREQUENCY	PHASE
30"	120 VAC	10 Amps	60 Hz.	Single
36"	120 VAC	10 Amps	60 Hz.	Single
36" with griddle	120 VAC	15 Amps	60 Hz.	Single
36" with grill	120 VAC	15 Amps	60 Hz.	Single
48" with griddle	120 VAC	15 Amps	60 Hz.	Single
48" with grill	120 VAC	15 Amps	60 Hz.	Single

Table 1: Electrical Supply Circuit Requirements

- Before installing, turn power OFF at the service panel. Lock service panel to prevent power from being turned ON accidentally. Always disconnect appliance from the electric supply either by disconnecting power cord or shutting off the breaker at the service panel before servicing the appliance.

⚠ WARNING!

ELECTRICAL SHOCK HAZARD
To avoid the risk of electrical shock, personal injury or death; verify electrical power is turned off at the service panel and gas supply is turned off until the rangetop is installed and ready to operate.



- Observe all governing codes and ordinances when grounding. In the absence of these codes or ordinances observe National Electrical Code ANSI/NFPA No. 70 current issue. See *Figure 11* for recommended grounding method.
- Power cord and receptacle should protrude no more than 2" (51 mm) from the rear wall.
- An electrical wiring diagram and schematic have been attached to the back of the rangetop chassis for access by a qualified service technician. Do not remove or discard this important information.
- **Installer** - show the owner the location of the circuit breaker. Mark it for easy reference.

- Before you plug in an electrical cord, be sure all controls are in the OFF position.
- All 120 Volt rangetop models must be plugged into a mating 3-Prong, Grounding-Type Receptacle. The receptacle must be connected to a properly dedicated grounded and polarized electrical power supply rated at 120VAC, Single Phase, 60HZ (see *Figure 11*).

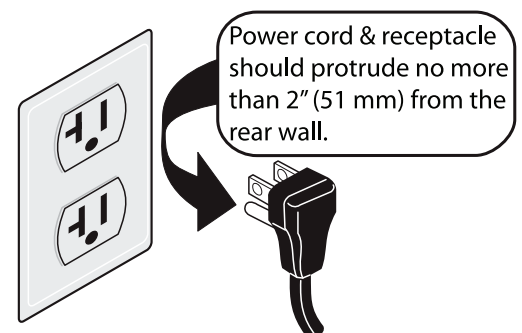
⚠ CAUTION!

Improper grounding or reverse polarization will cause malfunction (such as continuous sparking of the burner igniters). This can damage the appliance and can create a condition of shock hazard. If the dedicated circuit is not correctly grounded and polarized, it is the responsibility and obligation of the installer and user to have the existing receptacle changed to a properly dedicated grounded and polarized receptacle. This must be accomplished in accordance with all applicable local codes and ordinances by a qualified electrician. In the absence of local codes and ordinances, the receptacle replacement shall be in accordance with the National Electric Code. (See *Figure 11*.)

Grounding Method

The rangetop is factory equipped with a power supply cord with a three-prong grounding plug (with polarized parallel blades).

⚠ WARNING This product must be properly grounded.



NOTE: Plug styles may vary.

Figure 11: Recommended Grounding Method for 120V Models

Step 6: Backguard Installation

Low Back and Flush Island Trim Model Numbers		
Rangetop Size	12" Low Back (sold separately)	Flush Island Trim
30"	PA30GLBC	Included with rangetop
36"	PA36GLBC	Included with rangetop
48"	PA48GLBC	Included with rangetop

For island installations and other installations with over 12" (305 mm) clearance, the included Flush Island Trim may be used. A Low Back guard must be installed when there is less than a 12" (305 mm) clearance between combustible materials and back edge of cooktop. (See *Figure 1* and *Figure 5*.) Clearances from non-combustible materials are not part of the ANSI Z21.1 scope and are not certified by CSA. Clearances of less than 12" (305 mm) must be approved by the local codes and/or by the local authority having jurisdiction.

Attach the backguard before sliding the appliance into the final installed position. Follow Steps A through E below:

- Depending on model, remove the 2 or 3 stainless Torx screws in the front face of the included Flush Island Trim. Lift up to fully remove the Flush Island Trim (A, *Figure 12*).
- Slide the support brackets between the two rangetop chassis back panels. Secure each bracket with 4 x 1½" (38 mm) screws (B, *Figure 12*).
- Slide backguard over the two brackets on the rear of the rangetop. Fasten them together with 8 x 1½" (38 mm) screws (C, *Figure 12*).
- Fasten the front of the backguard to the rangetop with 2 or 3 x ½" (12.7 mm) screws (D, *Figure 12*).
- Place the backguard cap on top and secure using 2 x ½" (12.7 mm) stainless screws (E, *Figure 12*).

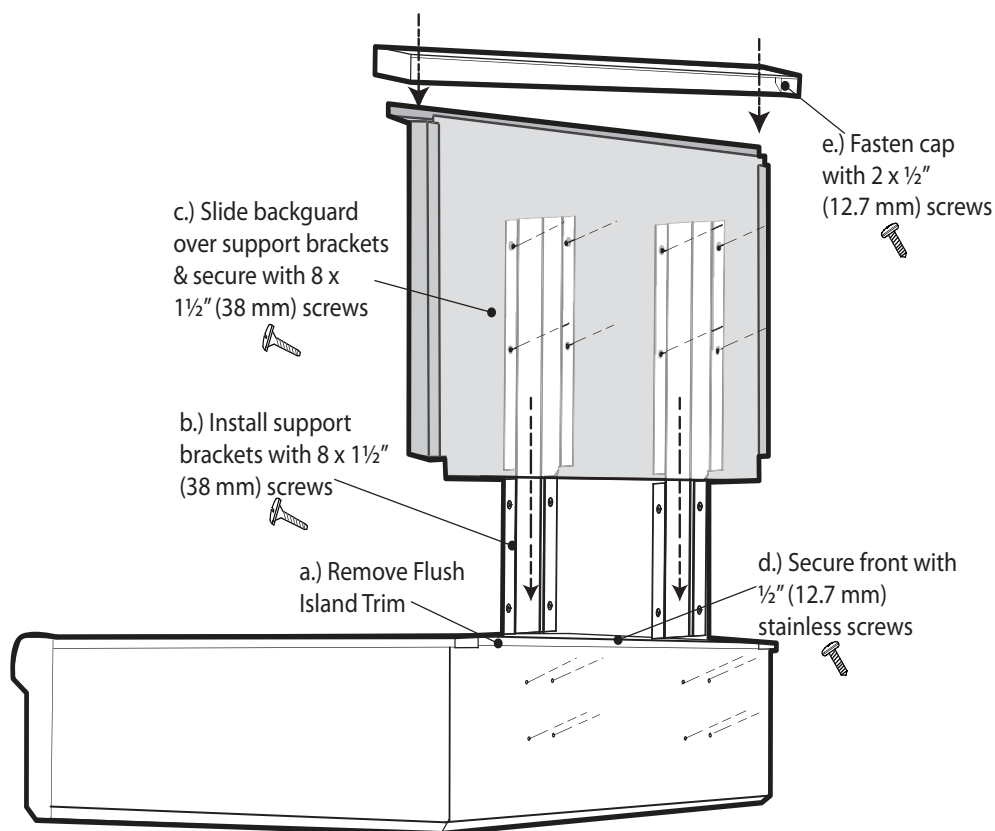


Figure 12: Low Back Attachment

Step 7: Burner Test

Install any loose components, such as burner caps and grates that may have been removed earlier. Be certain that burner caps seat properly into the burner bases. Before testing operation of the appliance, verify that the unit and the gas supply have been carefully checked for leaks and that the unit has been connected to the electrical power supply. Turn the manual gas shut-off valve to the open position.

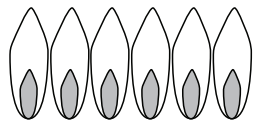
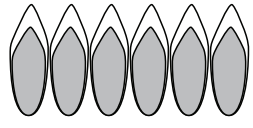
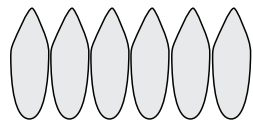
Test Rangetop Burners

Test Burner Ignition. Select a rangetop burner knob. Push in and turn counterclockwise to **HI**. The ignitor/spark module will produce a clicking sound. Once the air has been purged from the supply lines, the burner should light within four (4) seconds.

Test Flame: High Setting. Turn burner on to **HI**. See *Figure 13* for appropriate flame characteristics. If any of the rangetop burners continue to burn mostly or completely yellow, verify that the burner cap is positioned properly on the burner base, then re-test. If flame characteristics do not improve, call THERMADOR.

Test Flame: Low Setting. Turn burner on to **LOW**. Verify that the flame completely surrounds the burner. There should be a flame at each burner port and there should be no air gap between the flame and the burner. If any burners do not carry over, call THERMADOR.

The two far left burners feature XLO[®], causing the flame to cycle on and off when the knob is set to the XLO range. This is normal operation.

Yellow Flames: Further Adjustment is required.	
Yellow Tips on Outer Cones: Normal for LP Gas	
Soft Blue Flames: Normal for Natural Gas	

If the flame is completely or mostly yellow, verify that the regulator is set for the correct fuel. After adjustment, retest.

Some orange-colored streaking is normal during the initial start-up.

Allow unit to operate 4-5 minutes and re-evaluate before making adjustments.

Figure 13: Flame Characteristics

Repeat the Ignition and Flame Test procedures described above for each rangetop burner.

WHEN FLAME IS PROPERLY ADJUSTED:

- **There should be a flame at each burner port.**
- **There should be no air gap between the flame and burner port.**

Call THERMADOR if:

1. Any of the burners do not light.
2. Any of the burners continue to burn yellow.

Installer Checklist

Final Check List

- Rangenop correctly positioned in countertop recess.
- Specified clearances maintained to cabinet surfaces.
- Burner caps positioned properly on burner bases.
- All packaging material removed.
- Flush Island Trim or Backguard attached according to instructions.
- The griddle plate tilted slightly forward. (See *"Assembling the Grill (not all models)"* on page 9.)

Gas Supply

- Connection: 1/2" NPT with a minimum 3/4" diameter flex line.
- If converting from natural to LP gas, refer to LP Conversion Instructions for details.
- Manual gas shut off valve installed in an accessible location (without requiring removal of appliance).
- Unit tested and free of gas leaks.

Electrical

- For models with an electric griddle or grill, a dedicated polarized and grounded 120VAC receptacle with 15 AMP over current protection is provided for service cord connection.

Operation

- Bezels centered on burner knobs, and knobs turn freely.
- Purge air from gas system by operating one of the top burners for several minutes.
- Each burner lights satisfactorily, both individually and with other burners operating.
- Burner grates are correctly positioned.

Installer

- Write the model number and serial numbers (see *"Data Rating Plate"* on page 1 for location) in the Use and Care Guide. Leave the USE AND CARE GUIDE and INSTALLATION INSTRUCTIONS with the owner of the appliance.

To Clean and Protect Exterior Surfaces

- The stainless steel surfaces may be cleaned by wiping with a damp soapy cloth. Any mild glass cleaner will remove fingerprints and smears.
- Follow all cleaning by rinsing with clear water. Wipe dry with a clean soft cloth to avoid water marks. For discolorations or deposits that persist, use a non-scratching household cleanser or stainless steel polishing powder with a little water and a soft cloth. For stubborn cases, use a plastic scouring pad or soft bristle brush together with cleanser and water. Rub lightly in direction of polishing lines or "grain" of the stainless finish. Avoid using too much pressure which may mar the surface.
- Use a stainless steel cleaner/polish to protect the finish and maintain appearance.
- **DO NOT** allow deposits to remain for long periods of time.
- **DO NOT** use ordinary steel wool or steel brushes. Small bits of steel may adhere to the surface causing rust.
- **DO NOT** allow salt solutions, disinfectants, bleaches or cleaning compounds to remain in contact with stainless steel for extended periods. Many of these compounds contain chemicals which could prove harmful. Rinse with water after exposure and wipe dry with a clean cloth.

Troubleshooting

See Use and Care Guide for troubleshooting information.

Table des matières

Instructions de sécurité	1
Information importante à propos de l'installation	2
Chapitre 1 : Exigences de ventilation	3
Chapitre 2 : Préparation de l'emplacement	4
Chapitre 3 : Déballage, manutention et mise en place et fixation de la table de cuisson	11
Chapitre 4 : Exigences pour l'alimentation du gaz et raccordement	11
Chapitre 5 : Exigences pour l'alimentation électrique, le branchement et la mise à la terre	13
Chapitre 6 : Installation de la plaque de protection	14
Chapitre 7 : Test de brûler	15
Liste de vérification pour l'installateur	16
Service, pièces et accessoires	page verso

Cet appareil électroménager de
THERMADOR^{mc} est fait par
BSH Home Appliances Ltd.
6696 Financial Drive, Unit 3
Mississauga, ON L5N 7J6

Questions?

1-800-735-4328

www.thermador.ca

Nous attendons de vos nouvelles!

Instructions de sécurité



INSTRUCTIONS IMPORTANTES DE SÉCURITÉ

Lire Toutes Les Instructions Avant De Procéder

IMPORTANT : conserver ces instructions pour utilisation par l'inspecteur en électricité local.

INSTALLATEUR : laisser ces instructions avec l'appareil pour le propriétaire

PROPRIÉTAIRE : conserver ces instructions à des fins de références.

INSTRUCTIONS DE MISE À LA TERRE

Cet appareil doit être mis à la terre. La mise à la terre réduit les risques de décharge électrique en fournissant au courant électrique un fil d'échappement lors d'un court circuit.

AVERTISSEMENT!



Coupez l'électricité avant d'installer l'appareil. Avant de remettre (ON) l'électricité, assurez-vous que toutes les commandes sont à la position OFF.

AVERTISSEMENT!

L'information fournie dans le présent manuel doit être très rigoureusement respectée, sous peine d'incendie ou d'explosion entraînant des dommages, des blessures ou la mort.

Une installation, un réglage, une modification, une réparation ou un entretien adéquat peuvent entraîner des blessures ou des dégâts matériels. Consultez le présent manuel. Pour de l'information supplémentaire ou de l'assistance, consultez un installateur qualifié, un centre de réparation, le fabricant (revendeur) ou la compagnie distributrice de gaz.

Pour les installations au Massachusetts :

1. L'installation doit être réalisée par un entrepreneur qualifié ou agréé, un plombier ou un installateur de gaz qualifié ou autorisé par l'État ou la région dans laquelle cet appareil est installé.
2. Le robinet d'arrêt de gaz doit être pourvu d'une poignée en « T ».
3. La longueur maximum autorisée du tuyau de gaz est de 91,4 centimètres (36").

AVERTISSEMENT!



L'information fournie dans le présent manuel doit être très rigoureusement respectée, sous peine d'incendie ou d'explosion entraînant des dommages, des blessures ou la mort.

- Ne stockez pas et n'utilisez pas d'essence ou autres ou la compagnie distributrice de gaz.
- SI VOUS SENTEZ UNE ODEUR DE GAZ :
 - N'allumez aucun appareil.
 - Ne touchez pas aux interrupteurs électriques.
 - N'utilisez pas les téléphones du bâtiment.
 - Appelez immédiatement votre compagnie de gaz de chez un voisin. Suivez les instructions de la compagnie.
 - Si vous n'arrivez pas à contacter la compagnie de gaz, appelez les pompiers.
- L'installation et les réparations doivent être réalisées par un installateur qualifié, un centre de réparation agréé ou la compagnie de gaz.

REMARQUE :

Cette table de cuisson N'EST PAS conçue pour les maisons mobiles ni pour les véhicules récréatifs.

NE PAS installer ce table de cuisson dehors.

Fiche signalétique

La plaque de caractéristiques indique le modèle et le numéro de série de votre table de cuisson. Elle est placée sur le dessous du châssis de la table de cuisson, près de l'avant de l'appareil. Cette information est requise par le Service à la clientèle. Avant que l'installation, le modèle et les numéros de série devrait être entré dans les espaces à la rubrique AVANT D'EFFECTUER UN APPEL DE SERVICE à la fin du guide d'utilisation et d'entretien. Lorsque l'appareil est installé, il est difficile d'accéder à l'information.

Veuillez lire toutes les instructions avant de poursuivre.

IMPORTANT : LES RÉGLEMENTATIONS LOCALES VARIENT. L'INSTALLATION, LES BRANCHEMENTS ÉLECTRIQUES, LES RACCORDEMENTS AU GAZ ET LA MISE À LA TERRE DOIVENT SATISFAIRE À TOUTES LES RÉGLEMENTATIONS APPLICABLES.

Information importante à propos de l'installation

Alimentation électrique :

Modèle 76,2 cm (30 po)

Brûleurs 4 : 120 VCA, 60 Hz, monophasé, dédié circuit de 10 A

Modèle de 91,4 cm (36 po)

Brûleurs 6 : 120 VCA, 60 Hz, monophasé, dédié circuit de 10 A

Brûleurs 4 avec grille électrique ou grille électrique : 120 VAC, 60 Hz, monophasé, dédié circuit de 15 A

Modèle de 1,22 m (48 po)

Brûleurs 6 avec plaque chauffante ou grille électrique : 120 VCA, 60 Hz, monophasé, dédié circuit de 15 A

Alimentation en gaz :

Gaz naturel : 14,9 mb (6 po) min. à 34,9 mb (14 po) max. à la colonne d'eau.

Gaz propane : 27,4 mb (11 po) min. à 34,9 (14 po) max. à la colonne d'eau).

Tous les brûleurs scellés sont cotés à 18 000 Btu/h (*15 000Btu/h pour LP). *Tous les modèles sont convertibles au gaz propane/LP à l'aide du nécessaire de conversion.

IMPORTANT :

Lors d'une installation contre une surface combustible, vous devez utiliser une étagère haute ou un dossier bas. Vous pouvez vous acheter séparément ces articles THERMADOR^{mc}.

Lors de l'utilisation de la garniture d'îlot THERMADOR, il faut un espace minimal de 12 po (305 mm) entre la partie arrière de l'appareil et la surface combustible (voir *Figure 1 à la page 7*). Les espaces libres jusqu'aux surfaces non combustibles ne sont pas précisés dans la norme ANSI Z21.1 et ne sont pas certifiés par la CSA. Tout espace libre de moins de 12 po (305 mm) doit être approuvé par les normes locales ou l'autorité locale ayant compétence.

Il est **fortement recommandé** d'installer une hotte de ventilation adaptée au-dessus de cet appareil (voir "*Chapitre 1 : Exigences de ventilation*").

Vérifiez la réglementation locale applicable à la construction pour connaître la méthode appropriée d'installation de l'appareil. À défaut de réglementation, l'appareil doit être installé conformément aux versions actuelles du Code national du gaz combustible no Z223.1 et du Code national de l'électricité ANSI/NFPA70 ou aux Codes d'installation pour les appareils à gaz CAN 1-B149.1 et .2 et au Code électrique canadien C22.1, première partie.

Cet appareil est équipé d'un système d'allumage intermittent qui allume et éteint les deux brûleurs de gauche lorsqu'ils sont réglés sur ExtraLow^{mc}.

ATTENTION!

Si l'appareil est alimenté au gaz propane, assurez-vous que le réservoir de propane est équipé de son propre détendeur en plus du détendeur fourni avec l'appareil. La pression maximum d'arrivée du gaz dans cet appareil ne doit pas dépasser les 34,9 millibars (14 pouces à la colonne d'eau) à partir du détendeur du réservoir de propane.

ATTENTION!

Cet appareil est conçu pour un usage culinaire. Pour des raisons de sécurité, ne l'utilisez jamais pour chauffer une pièce.

ATTENTION!

Afin d'éliminer les risques de brûlures ou d'incendie provoqués par la chaleur, il est conseillé d'éviter d'installer des armoires au-dessus des appareils.

À cause de la chaleur intense produite par cet appareil, il faut porter une attention particulière à l'installation de la hotte et des conduits afin de s'assurer qu'ils répondent aux codes de construction locaux.

AVERTISSEMENT!

Avertissements de la Proposition 65 de l'État de la Californie :

Ce produit contient des produits chimiques connus de l'État de la Californie pour causer le cancer, des anomalies congénitales ou d'autres problèmes de reproduction.

Cet appareil est conforme avec une ou plusieurs des normes suivantes :

- UL 858 – norme visant la sécurité en matière de cuisinières électriques domestiques
- ANSI Z21.1 – norme américaine régissant les appareils électroménagers de cuisson au gaz
- CAN 1-1.1-M81, Domestic Gas Ranges
- CAN/CSA-C22.2 No 61 – cuisinières domestiques incombe au propriétaire et à l'installateur de déterminer si des exigences et/ou normes additionnelles s'appliquent pour une installation spécifique.

Enlever tout le matériel d'emballage et le ruban adhésif avant d'utiliser l'appareil. Détruire le matériel d'emballage une fois l'appareil déballé. Ne jamais laisser les enfants jouer avec ce matériel d'emballage.

OUTILS REQUIS

Tournevis Phillips	Tournevis Torx T-20
Scie sauteuse	Clé ajustable de 12 po
Niveau	Ruban à mesurer
Gants de protection	Instrument de marquage

ARTICLES NON INCLUS

Conduit flexible de ¾ po (19 mm)	Ruban/composé pour tuyaux
----------------------------------	---------------------------



Enlevez tout le matériel d'emballage et le ruban adhésif avant d'utiliser l'appareil. Veuillez recycler le matériel d'emballage, car tout ce que THERMADOR utilise pour emballer ses appareils est recyclable. Ne laissez jamais des enfants jouer avec le matériel d'emballage.

Chapitre 1 : Exigences de ventilation

Consultez le *Guide de planification de ventilation* pour connaître les combinaisons de ventilation approuvées.

Il est **fortement recommandé** d'installer une hotte de ventilation THERMADOR au-dessus de la cuisinière. Une ventilation par aspiration descendante ne devrait pas être utilisée.

Vous ne devriez pas utiliser un système de ventilation par aspiration descendante. Le *Guide de planification de ventilation*, indique les différentes hottes en option ainsi que des directives relatives à la capacité recommandée des ventilateurs à utiliser avec l'une ou l'autre des cuisinières THERMADOR

REMARQUE :

Les hottes de ventilation et les ventilateurs sont conçus pour une seule conduite murale. Certaines réglementations locales du secteur du bâtiment exigent toutefois une double conduite. Consultez les normes applicables et les autorités municipales avant de commencer les travaux afin de vous assurer que l'installation des conduites répond aux exigences locales.

AVERTISSEMENT!

Vous ne devriez pas installer cet appareil avec un système de ventilation à aspiration descendante. Ce type de système de ventilation peut présenter des risques d'incendie et des problèmes de combustion et ainsi entraîner des blessures corporelles, des dommages matériels ou un fonctionnement involontaire. Aucune restriction ne s'applique aux systèmes de ventilation à aspiration ascendante.

AVIS :

La plupart des hottes contiennent des composantes combustibles qui doivent être prises en considération lors de la planification de l'installation.

1. Choix des modèles de hotte et de ventilateur :

- Pour les installations murales, la largeur de la hotte doit être au moins égale à celle de la table de cuisson de l'appareil. Si l'espace le permet, il est souhaitable d'installer une hotte plus large que la table de cuisson pour améliorer les performances de ventilation.
- Pour les installations en îlot, la largeur de la hotte devrait dépasser d'au moins 7,62 cm (3 po) des deux côtés de la table de cuisson de l'appareil.

2. Emplacement de la hotte

- Pour une meilleure élimination des fumées, le bord inférieur de la hotte doit être placé à une distance de 91,4 cm (30 po) au-dessus de la table de cuisson. (Voir *Figure 1*).
- Si la hotte contient des matériaux combustibles (ex. : recouvrement en bois), elle doit être installée à un minimum de 40 po ou plus au-dessus de la table de cuisson.

3. Apport d'air

- Un important volume d'air étant nécessaire pour la ventilation, il est recommandé de prévoir un apport d'air de l'extérieur. Cet aspect revêt une importance particulière dans les logements bien isolés et très étanches.
- Il est conseillé de consulter un entrepreneur en chauffage et en climatisation.

Chapitre 2 : Préparation de l'emplacement

1. Pour garantir des résultats professionnels, les ouvertures dans l'armoire et dans l'espace de travail doivent être effectuées par du personnel qualifié.
2. Les dégagements requis sont indiqués à la *Figure 1*. Les mêmes dégagements s'appliquent aux installations en îlot, excepté pour les armoires suspendues qui doivent laisser un espace suffisamment grand pour y loger la hotte de l'îlot.
3. La table de cuisson est conçue pour être accrochée au plan de travail par ses brides latérales. Le plan de travail doit toutefois être suffisamment solide pour porter ce appareil. Il sera éventuellement nécessaire d'ajouter un tasseau de chaque côté (voir *Figure 2*) ou 2x4 montants d'angle (voir *Figure 3* et *Figure 4* et la vue Éclatée A). L'autre possibilité est de construire un plan de support pour y installer la table de cuisson.
4. La table de cuisson peut être installée sur plusieurs positions, avec la partie frontale au même niveau que le plan de travail ou en projection avant, selon la profondeur de ce plan (voir *Figure 6*, vue latérale de la table de cuisson; voir *Figure 3*, *Figure 4*, *Figure 7* et *Figure 8* pour les autres positions de montage).
5. Les arrivées d'électricité et de gaz doivent se trouver dans une zone accessible sans avoir à enlever la table de cuisson. Le cordon d'alimentation électrique et le raccord du tuyau de gaz de l'appareil sont placés dans la partie arrière gauche sous la table de cuisson, tel qu'indiqué aux *Figure 5* et *Figure 6*.
6. Lors d'une installation contre une surface combustible, vous devez utiliser une étagère haute ou un dossierer bas. Vous pouvez vous acheter séparément ces articles THERMADOR^{mc}.

7. Lors de l'utilisation de la garniture d'îlot THERMADOR, il faut un espace minimal de 12 po (305 mm) entre la partie arrière de l'appareil et la surface combustible. Les espaces libres jusqu'aux surfaces non combustibles ne sont pas précisés dans la norme ANSI Z21.1 et ne sont pas certifiés par la CSA. Tout espace libre de moins de 12 po (305 mm) doit être approuvé par les normes locales ou l'autorité locale ayant compétence.
8. Lorsque la cuisinière est installée contre un mur combustible, un espace libre d'au moins 5 po (127 mm) est requis entre le côté de la cuisinière et le mur.
9. La profondeur maximum des armoires suspendues de chaque côté de la hotte est de 33 cm (13 po).
10. Un dégagement minimal de 91,4 cm (36 po) est nécessaire entre le dessus de la table de cuisson et le dessous d'une armoire non protégée. Une distance de 30 po doit être assurée lorsque le bas des armoires en bois ou en métal est protégé par un matériau ignifuge d'une épaisseur d'au moins 6,35 mm (1/4 po) recouvert d'une feuille d'acier n°28 MSG de la même épaisseur, de 0,4 mm (0,015 po) d'acier inoxydable, de 0,6 mm (0,024 po) d'aluminium ou de 0,5 mm (0,02 po) de cuivre. Les matériaux ignifuges portent la marque :
UNDERWRITERS LABORATORIES INC.
CLASSIFIED MINERAL AND FIBER BOARDS
SURFACE BURNING CHARACTERISTICS,
(panneaux de bres et minéraux classés, caractéristiques d'inflammation des surfaces), suivie des taux de progression des flammes et des fumées. Ces désignations sont indiquées par « FHC » (Flame Spread/Smoke Developed – Progression des flammes/ Production de fumée). Les matériaux ayant un taux « O » de progression de flammes sont ignifuges. Les réglementations locales peuvent autoriser d'autres taux de progression des flammes.
11. Dénissez la ligne centrale de l'emplacement destiné à la table de cuisson. Elle doit correspondre au centre de la hotte de ventilation suspendue.
12. Découpez les ouvertures pour les installations suivantes :
 - Installation murale, voir *Figure 3*.
 - Installation en îlot, voir *Figure 4*.
13. Pour l'installation de la table de cuisson de 1,22 m (48 po) sur les deux tiroirs chauffe-plats côte à côte de THERMADOR (modèle WD24), reportez-vous à la *Figure 9*. Si vous réalisez l'installation conformément à la *Figure 9*, le bord gauche de la table de cuisson sera aligné avec le bord gauche du tiroir chauffe-plats gauche et le bord droit de la table de cuisson sera aligné avec le bord droit du tiroir chauffe-plats droit. Pour obtenir un alignement différent, vous pouvez modifier la distance horizontale de 4,76 cm (1-7/8 po) entre les découpes des tiroirs chauffe-plats. Vous devez toutefois conserver une distance d'au moins 2,85 cm (1-1/8 po) pour éviter les interférences entre les tiroirs chauffe-plats. Montez un coude de 90° sur le

tuyau d'arrivée de gaz de la table de cuisson. Tous les autres dégagements au-dessus du plan de travail doivent être maintenus comme indiqués à la *Figure 1*.

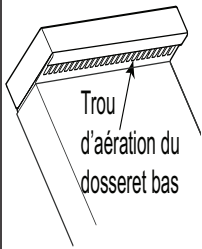
Remarques :

- Si vous avez d'un ou des deux côtés des parois latérales pleines d'armoires, vous devrez encocher le coin avant de l'armoire pour l'adapter à l'encoche du plan de travail et laisser l'espace à la partie frontale de la table de cuisson (voir vue Éclatée A, *Figure 3* et *Figure 4*).

- Si vous construisez un plan de support, les côtés ou le bas de la découpe peuvent être en matériau plein combustible ou non combustible. Si le bas est plein, prévoyez une découpe de 30,48 x 30,48 cm (12 po x 12 po) dans le coin arrière gauche de ce plan. Vous aurez ainsi l'espace nécessaire à l'arrivée de gaz et au cordon d'alimentation, et cela vous permettra de voir la plaque de caractéristiques du produit.
- L'appareil ne doit jamais se trouver à proximité de matériaux combustibles, d'essence et d'autres produits inflammables (vapeurs ou liquides).
- L'air de combustion et de ventilation arrivant à l'appareil doit pouvoir circuler librement.



AVERTISSEMENT!



NE bloquez PAS et n'obstruez PAS les ouvertures du trou d'aération. Le trou d'aération est situé à l'arrière de l'appareil. Il doit être dégagé et ouvert pour fournir la circulation d'air nécessaire au bon fonctionnement de l'appareil.

NE touchez PAS la zone entourant le trou d'aération lorsque l'appareil est en marche ou plusieurs minutes après son utilisation. Certaines pièces du trou d'aération et de la zone l'entourant deviennent assez chaudes pour causer des brûlures. Laissez passer assez de temps pour que l'appareil ait le temps de refroidir avant de toucher ou nettoyer le trou d'aération.

NE placez PAS d'objets de plastique ou d'autre matière sensible à la chaleur sur le trou d'aération ou près de celui-ci. Ils pourraient prendre feu.

30 po à 36 po (762 – 914 mm) hotte large pour table de cuisson de 30 po
 36 po à 42 po (914 – 1067 mm) hotte large pour table de cuisson de 36 po
 48 po à 60 po (1219 – 1524 mm) hotte large pour table de cuisson de 48 po

comptoir indique l'espace libre minimal jusqu'aux surfaces combustibles; les matières combustibles ne peuvent se situer à l'intérieur de cette aire.

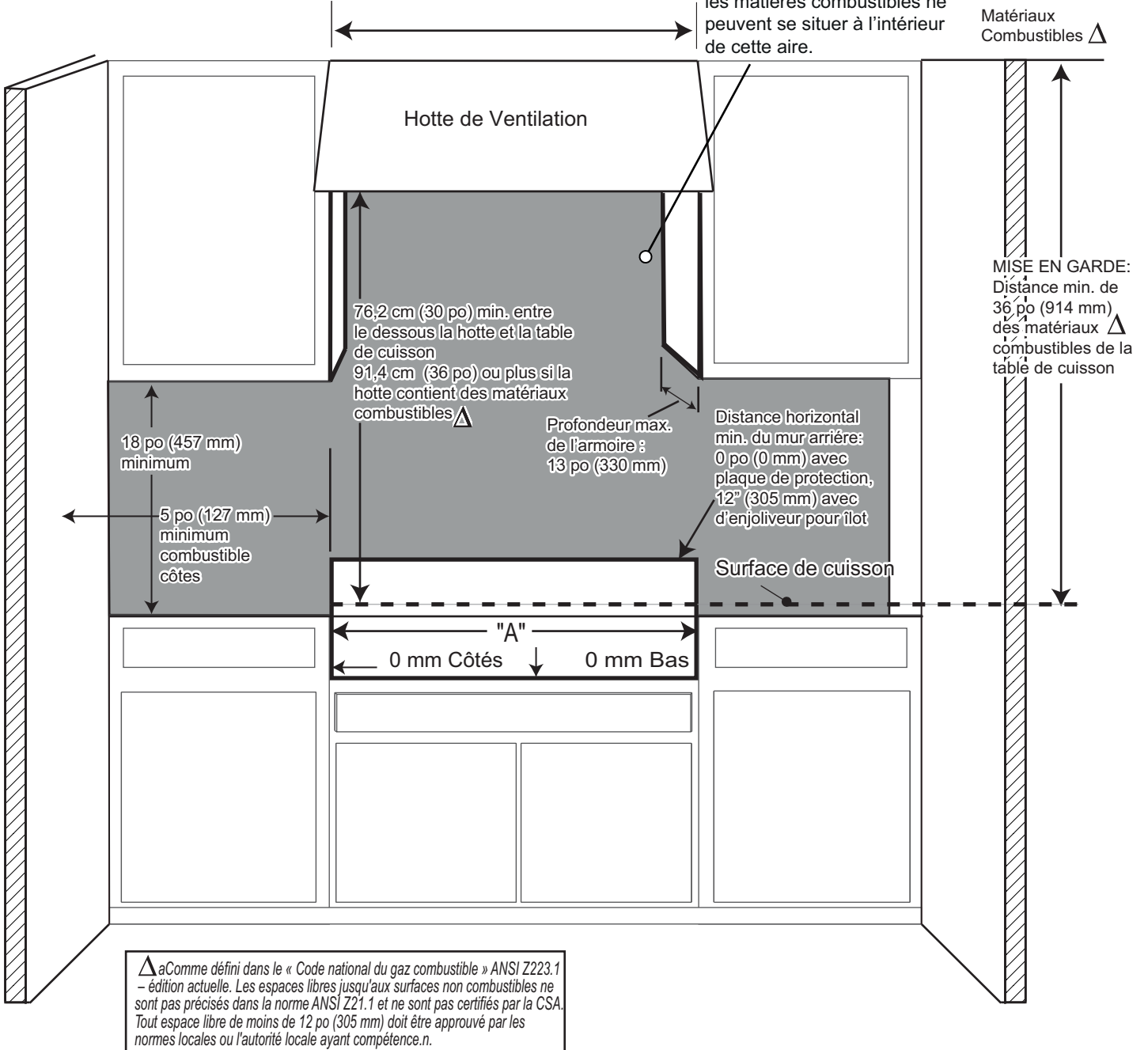


Figure 1 : Dégagements

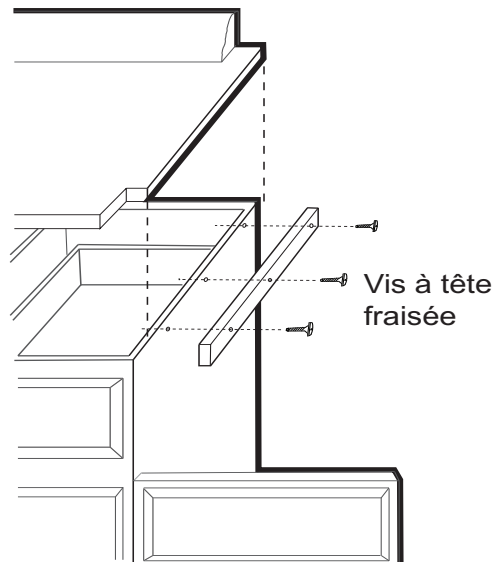


Figure 2 : Installation de supports latéraux (des deux côtés)

Hotte de ventilation exigences de largeur

Îlot – hotte large de 42 po ou 48 po pour 36 po table de cuisson
 Îlot – hotte large de 54 po ou 60 po pour 48 po table de cuisson

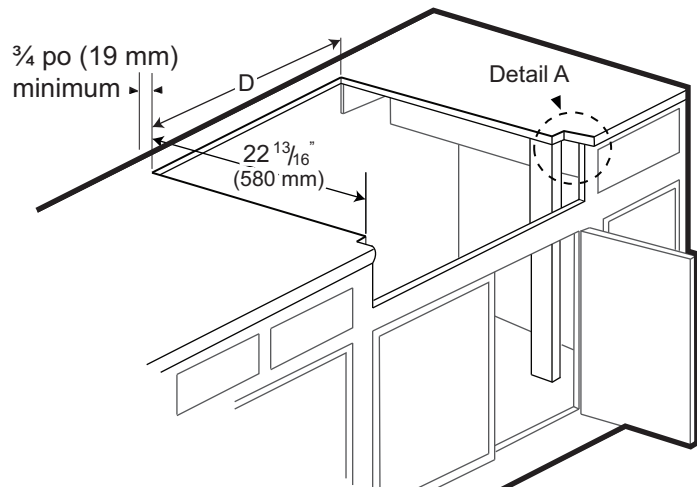


Figure 4 : Installation en îlot (sans rebord de plan de travail)

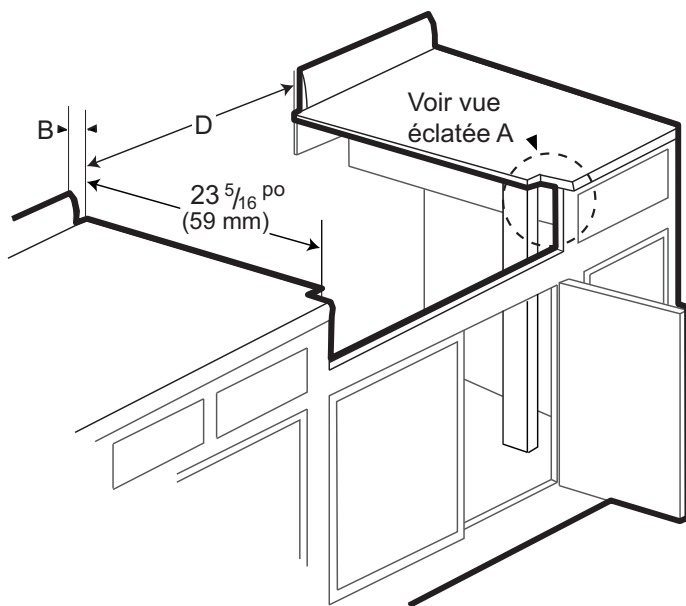


Figure 3 : Installation murale avec rebord de plan de travail

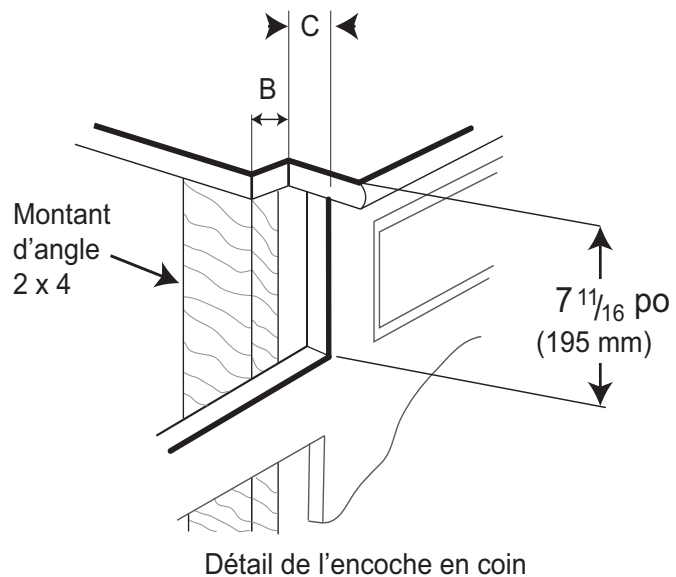
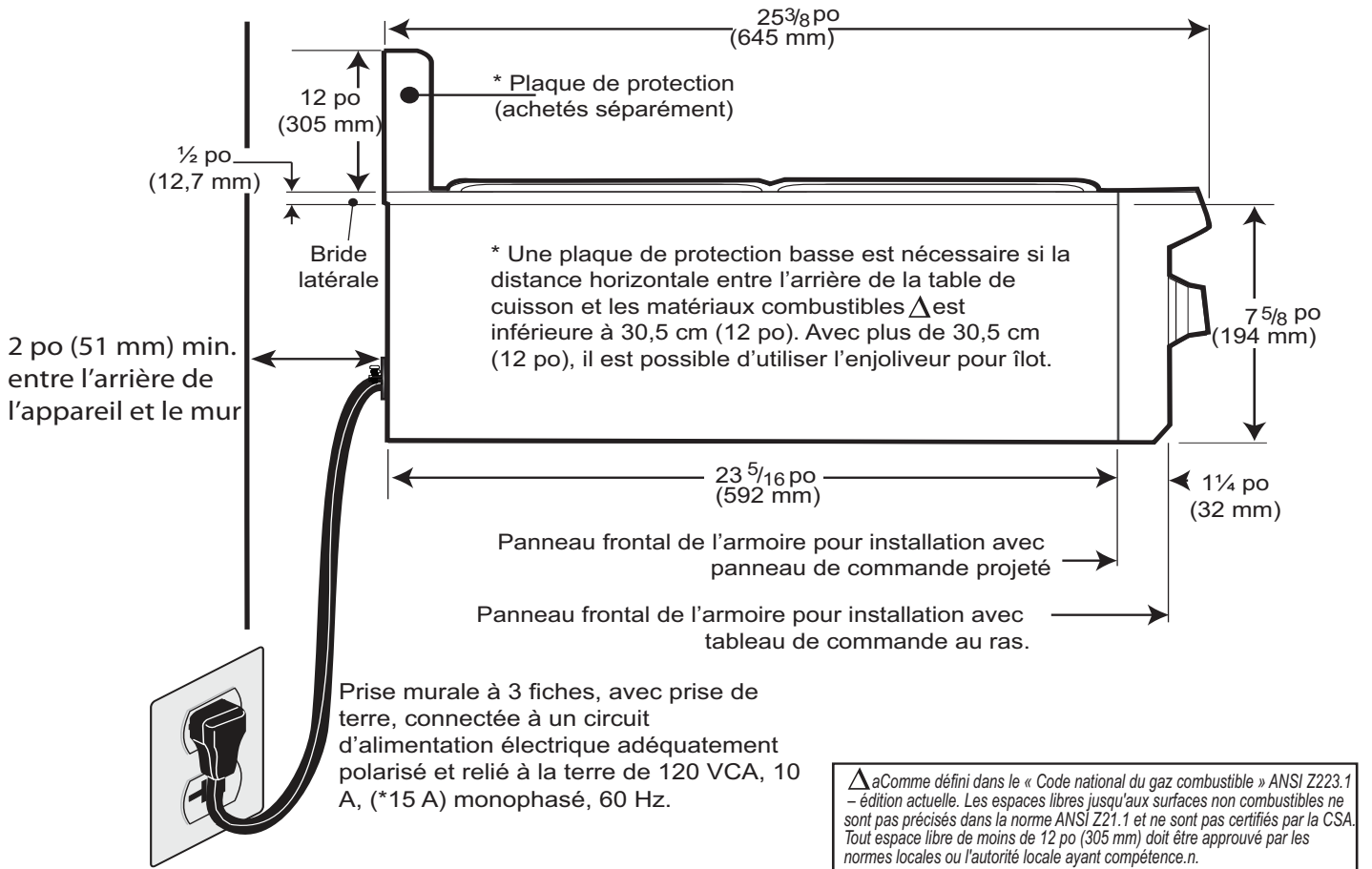


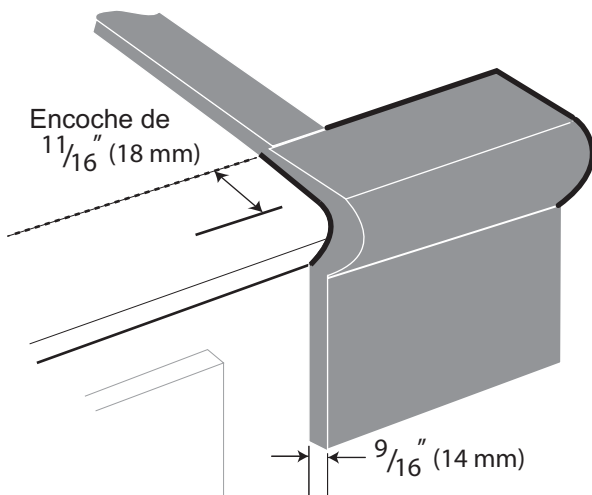
Figure 5 : Éclatée A : Vue éclatée A (Face frontale de l'armoire)

	Cuisson 30 po	Cuisson 36 po	Cuisson 48 po
A	29 7/8 po (759 mm)	35 7/8 po (911 mm)	47 7/8 po (1216 mm)
B	3/8 po (10 mm)	3/8 po (10 mm)	13/16 po (21 mm)
C	0 mm (0 po) (Panneau de commande projeté de 3,2 cm (1 1/4 po) devant le panneau frontal de l'armoire de support), 17 mm (11/16 po) (Encoche nécessaire pour armoire de support standard de 61 cm (24 po) de profondeur. Panneau de commande projeté de 1,4 cm (9/16 po) devant le panneau frontal de l'armoire de support) 3,2 cm (1 1/4 po) (Panneau de commande au ras du panneau frontal de l'armoire – armoire de support d'une profondeur min. de 62,4 cm [24-9/16 po] requise)		
D	29 1/8 po (740 mm)	35 5/8 po (892 mm)	46 1/4 po (1175 mm)



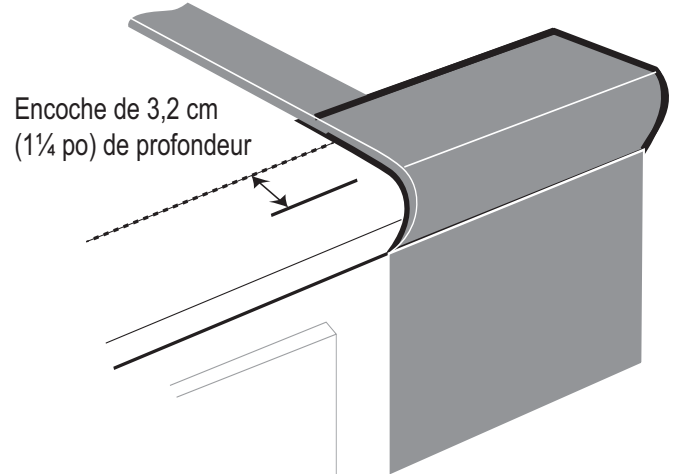
NOTE : Appareil avec plaque de protection basse (vendue séparément).

Figure 6 : Vue latérale de la table de cuisson



Sur la figure, l'avant est projeté de 14 mm (9/16 po) vers l'extérieur avec un support standard de 60,9 cm (24 po) de profondeur.

Figure 7 : Projection devant l'armoire



Avant au ras des armoires : profondeur d'armoire de 62,4 cm (24 ⁹/₁₆ po) min.

Figure 8 : Au ras du panneau frontal de l'armoire

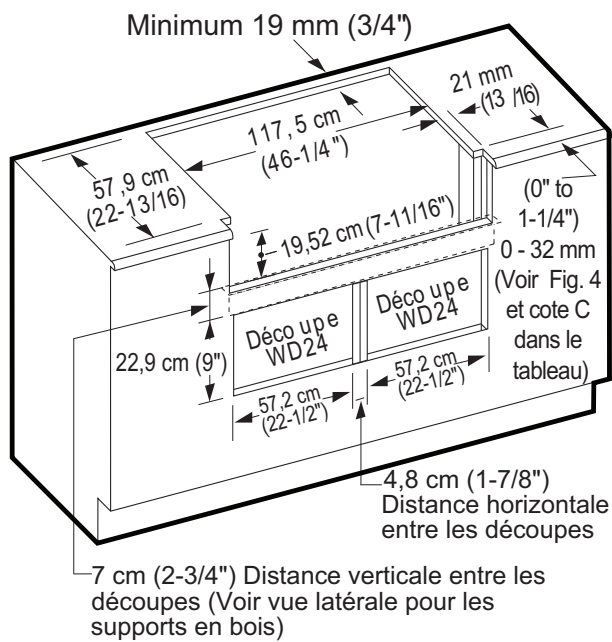


Figure 9 : Installation d'une table de cuisson de 121,9 cm (48po) sur deux tiroirs chauffe-plats côte à côte, modèle WD24

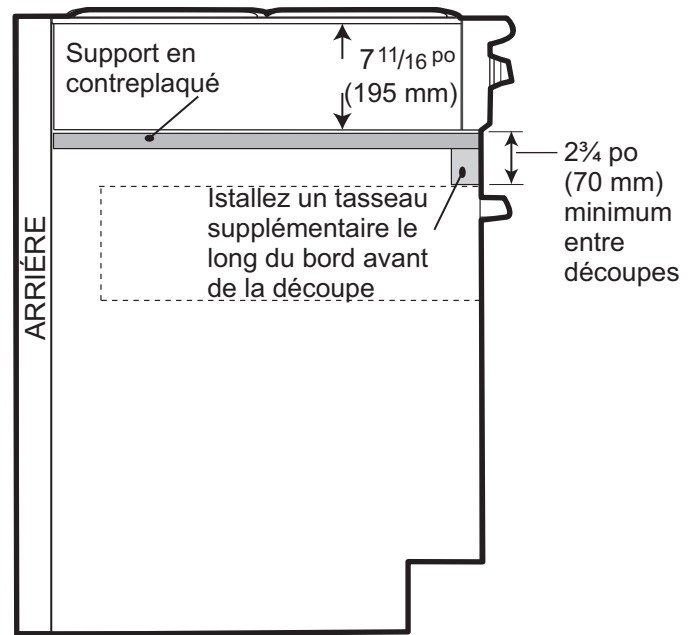


Figure 10 : Figure 8b : Installation d'une table de cuisson de 121,9 cm (48po) sur deux tiroirs chauffe-plats côte à côte, modèle WD24 (Vue latérale)

EMPLACEMENT DU ROBINET D'ENTRÉE DU GAZ	
Du côté gauche à la ligne centrale du robinet d'entrée du gaz	5 ⁵ / ₈ " (143 mm)
De l'arrière à la ligne centrale du robinet d'entrée du gaz	8 ¹ / ₂ " (215 mm)

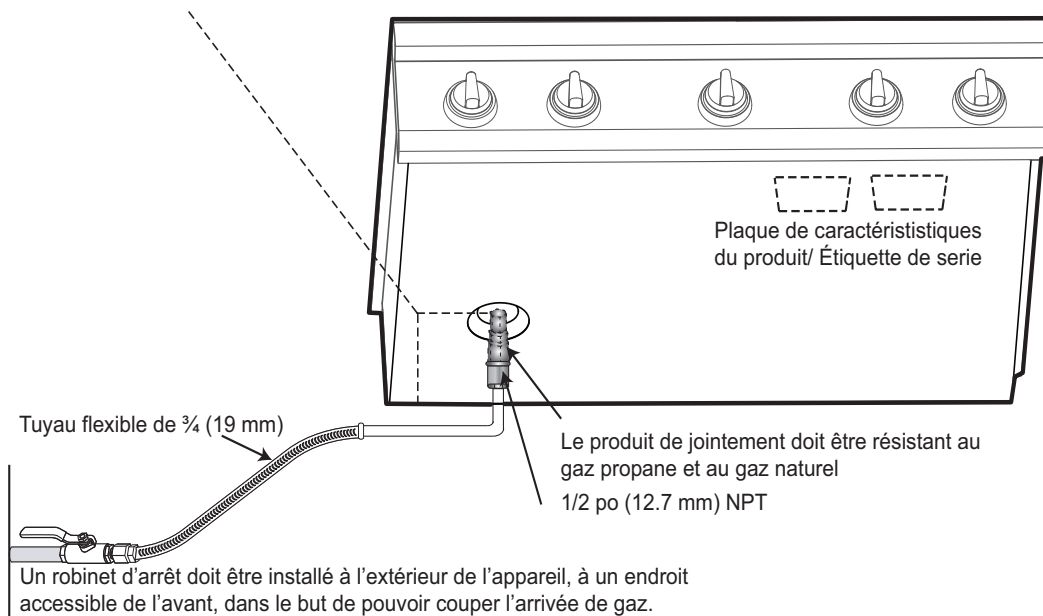


Figure 11 : Partie inférieure de l'appareil

Toutes les pièces fournies par l'installateur doivent satisfaire aux réglementations locales.
 *Alimentation électrique 15A, 120VAC pour les modèles 36 et 48 po avec grille électrique.

Chapitre 3 : Déballage, manutention et mise en place et fixation de la table de cuisson

ATTENTION!



Un équipement adapté manipulé par du personnel expérimenté doit être utilisé pour déplacer l'appareil afin de ne pas l'endommager et d'éviter les blessures. L'appareil est lourd et doit faire l'objet d'une manutention adéquate.

- Assurez-vous que l'appareil sur correspond au type de gaz utilisé sur le lieu d'installation. Reportez-vous au Chapitre 4 avant de poursuivre l'installation.
- Retirez l'emballage externe et les matériaux d'emballage de la palette d'expédition. Assurez vous d'avoir tous les articles qui composent la tableau de cuisson avant de poursuivre.
- Enlevez les grilles de la surface de cuisson, la plaque chauffante (s'il y a lieu) et les chapeaux des brûleurs pour que la cuisinière soit moins lourde.
- Posez la plaque de protection avant de glisser l'appareil sur sa position finale. Voir Chapitre 6.
- À l'aide d'un tournevis Phillips, enlevez les trois supports de montages qui fixent la cuisinière à la palette. Débarrassez-vous des vis et des supports après les avoir enlevés.
- Retirez les grilles en fonte, les chapeaux et des brûleurs pour réduire le poids de l'appareil.
- Laissez la mousse à côté adhésif sur les surfaces en métal brossé an de protéger le ni des égratignures jusqu'à ce que la surface de cuisson soit en position finale.
- Soulevez la table de cuisson et placez-la dans l'ouverture. Prenez garde à ne pas pincer le cordon d'alimentation ni l'arrivée de gaz. Faites attention de ne pas égratigner la plaque chauffante.
- Assurez-vous que le cordon d'alimentation peut bouger librement et qu'il n'est pas tendu.
- Pour un rendement adéquat, la surface de cuisson doit être de niveau.
- Remplacez les grilles et les cuvettes des brûleurs. Assurez-vous que les chapeaux des brûleurs sont correctement posés dans leurs bases.

Ajustement de l'inclinaison de la plaque de cuisson

Assurez-vous que la plaque de cuisson est bien ajusté en versant deux cuillerées à soupe d'eau à l'arrière de la plaque chauffante. L'eau devrait lentement couler dans le bac à graisse. Puis, ajustez les deux vis situées à l'arrière, sous la plaque. Commencez par un demi-tour dans le sens contraire des aiguilles d'une montre. Les corrections subséquentes doivent être faites au quart de tour jusqu'à ce que l'eau coule le ment dans le bac à graisse.

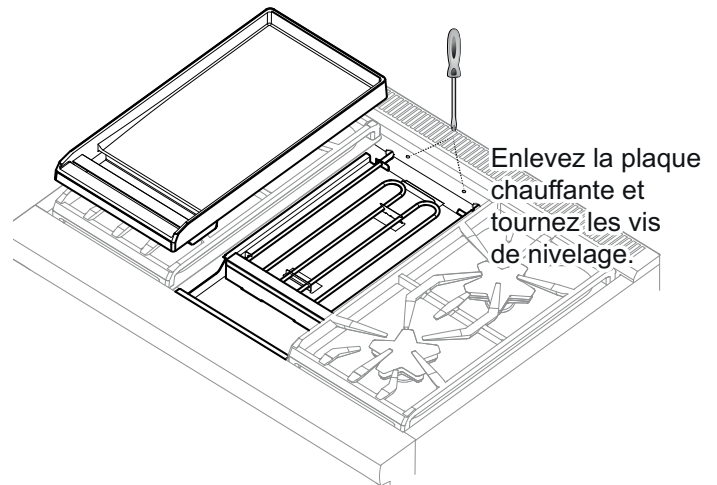


Figure 12: Vis de nivelage de la plaque chauffante

Chapitre 4 : Exigences pour l'alimentation du gaz et raccordement

Les tables de cuisson sont préparées à l'usine avant expédition pour être alimentées par du gaz naturel. Doivent être convertis pour utilisation avec propane (surface de cuisson). Assurez-vous que le type de gaz utilisé sur le lieu d'installation correspond au type de gaz utilisé par l'appareil.

Si le lieu nécessite une conversion du gaz naturel au propane (LP), communiquer avec le marchand où l'appareil a été acheté ou avec THERMADOR. La trousse de conversion des surfaces de cuisson Professional de cette série est le modèle THERMADOR PALPKITHC. Suivez toutes les instructions du this kit pour convertir correctement le détendeur de gaz et effectuer le réglage des robinets de gaz. La conversion sur site doit obligatoirement être réalisée par du personnel qualité.

Cet appareil est certifié ACNOR à des fins de fonctionnement sécuritaire jusqu'à une élévation de 10 200 pi sans modification. Exception : pour l'utilisation avec le gaz propane, l'appareil doit être converti selon les instructions de conversion au LP. Consulter les instructions de conversion LP pour plus de détails.

Exigences pour le gaz naturel

Connexion d'entrée : 1/2 po NPT (min. 3/4 po de diamètre, conduit souple)

Pression d'alimentation : 6 po min. à 14 po max, colonne d'eau (14,9 à 34,9 mb)

Pression du distributeur : 5 po, colonne d'eau (12,5 mb)

Exigence pour le gaz propane

Connexion d'entrée : 1/2 po NPT (min. 3/4 po de diamètre, conduit souple)

Pression d'alimentation : 11 po min. à 14 po max, colonne d'eau (27,4 à 34,9 mb)

Pression du distributeur : 10 po, colonne d'eau (24,9 mb)

AVERTISSEMENT!

Si une trousse de conversion au gaz est utilisée, doit être installée par un technicien qualifié conformément aux instructions du fabricant et selon les exigences et codes applicables ayant juridiction. Si l'information contenue dans ces instructions n'est pas suivie, il peut en résulter un risque d'incendie, d'explosion ou de production de monoxyde de carbone, causant des dommages à la propriété, des blessures ou la mort. L'agence de service qualifiée est responsable de l'installation appropriée de ce nécessaire. L'installation n'est pas adéquate ni complétée tant que le fonctionnement de l'appareil converti n'est pas vérifié tel qu'il est spécifié dans les instructions du fabricant et fournies avec le nécessaire.

Raccordement

- Un robinet manuel d'arrêt de gaz doit être installé à l'extérieur de l'appareil, à un endroit accessible par le devant, dans le but de pouvoir couper l'alimentation en gaz. Le tuyau d'arrivée de gaz ne doit pas gêner à l'arrière de l'appareil. Assurez-vous que le robinet d'arrêt est fermé avant de raccorder l'appareil.
- L'installateur doit informer le consommateur de l'emplacement de la soupape d'arrêt de gaz. S'assurer que tous les utilisateurs sachent comment fermer l'alimentation en gaz à la surface de cuisson.
- Les connexions d'alimentation en gaz doivent être effectuées par un technicien qualifié et conformément à la réglementation des locaux. À défaut de réglementations locales, l'installation devra être conforme au Code national du gaz combustible ANSI Z223.1/NFPA54 – version actuelle.

- Toujours utiliser un scellant à tuyau ou du ruban Teflon^{mc} sur les lets de tuyaux et prenez garde à ne pas serrer excessivement les raccords.
- Toutes les pièces fournies par l'installateur doivent être conformes aux codes applicables.
- Les tests de fuite de l'appareil seront réalisés conformément aux instructions du fabricant.
 - Ouvrez le gaz et assurez-vous qu'il n'y a pas de fuites à l'aide d'une solution savonneuse.
 - Des bulles indiquent la présence d'une fuite. Réparer toute fuite immédiatement après les avoir repérées.

AVERTISSEMENT!

N'utilisez pas de flamme pour faire cette vérification.

ATTENTION!

Si l'appareil est alimenté par du gaz propane, assurez-vous que le réservoir de propane est équipé de son propre détendeur en sus du détendeur fourni avec l'appareil. La pression d'arrivée du gaz dans le détendeur de l'appareil ne doit pas dépasser les 34,9 millibars (14 pouces à la colonne d'eau).

ATTENTION!

L'appareil doit être isolé du système d'arrivée de gaz en fermant le robinet manuel d'arrêt pendant tous les tests de pression d'alimentation en gaz lorsque ces pressions sont égales ou inférieures à 3,5 kPa (1/2 psig).

L'appareil et son robinet individuel d'arrêt doivent être débranchés du système d'arrivée de gaz pendant tous les tests de pression du système si ces pressions dépassent 3,5 kPa (1/2 psig).

Pour la vérification de la pression de gaz du collecteur, la pression d'entrée du détendeur doit être de 14,9 mb (6 po) au minimum pour le gaz naturel et de 7,4 mb (11 po) pour le propane.

Ne tentez pas de régler le détendeur.


Chapitre 5 : Exigences pour l'alimentation électrique, le branchement et la mise à la terre

MODÈLE	TENSION	INTENSITÉ DU CIRCUIT	FRÉQUENCE	PHASE
30"	120 VCA	10 A	60 Hz.	Monophasé
36"	120 VCA	10 A	60 Hz.	Monophasé
36 po avec plaque chauffante	120 VCA	15 A	60 Hz.	Monophasé
36 po avec gril	120 VCA	15 A	60 Hz.	Monophasé
48 po avec plaque chauffante	120 VCA	15 A	60 Hz.	Monophasé
48 po avec gril	120 VCA	15 A	60 Hz.	Monophasé

Tableau 1 : Exigences pour les circuits d'alimentation électrique

- Avant l'installation, mettre l'alimentation HORS CIRCUIT au panneau de service, le verrouiller pour empêcher la mise en circuit accidentelle. Toujours débrancher l'appareil de l'alimentation électrique soit en débranchant le cordon d'alimentation ou en fermant le disjoncteur avant d'effectuer le service de l'appareil.

⚠ AVERTISSEMENT!



Coupez l'électricité avant d'installer l'appareil. Avant de remettre **(ON)** l'électricité, assurez-vous que toutes les commandes sont à la position **OFF**.

- Avant de débrancher le cordon électrique, s'assurer que tous les contrôles sont en position ARRÊT (OFF).
- Tous les modèles de surface de cuisson de 120 volts doivent être branchés sur une prise à 3 trous mise à la terre. Cette prise sera reliée à un dédié circuit d'alimentation électrique correctement mis à la terre et polarisé, de 120 VCA, 10 A, monophasé, 60 Hz. (voir Figure 13).

⚠ ATTENTION!

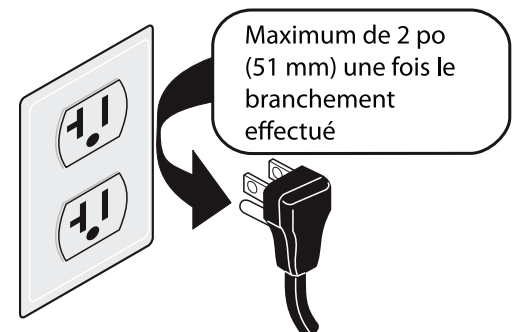
Une mise à la terre inadéquate ou une polarisation inversée peut causer un mauvais fonctionnement (tels qu'une production continue d'étincelle au niveau des allumeurs des brûleurs) pouvant endommager l'appareil et comporter un risque de décharge électrique. Si le dédié circuit n'est pas correctement mis à la terre et polarisé, l'installateur ou l'utilisateur est tenu de faire appel à un électricien compétent pour qu'il installe une prise dûment mise à la terre et polarisée, conforme à toutes les réglementations locales applicables. À défaut de réglementation locale, le changement de prise doit être effectué conformément au Code national de l'électricité (Voir Figure 13).

- Respectez toutes les réglementations locales applicables lors de la mise à la terre. À défaut, le Code national de l'électricité ANSI/ NFPA no 70 – Édition actuelle sera appliqué. Reportez-vous à la Figure 13 pour la méthode conseillée de mise à la terre.
- Maximum de 2 po (51 mm) une fois le branchement effectué.
- Les schémas de câblage électrique des tinés au technicien compétent sont attachés à l'arrière du châssis de la table de cuisson. N'enlevez pas et ne jetez pas cette importante information.
- Installateur** – indiquer au propriétaire l'emplacement du coupe-circuit ou du fusible. Le noter à des de références.

Méthode de mise à la terre

La table de cuisson vous est fournie avec un cordon d'alimentation électrique pourvu d'une prise avec mise à la terre à trois ces (à lames parallèles polarisées).

⚠ AVERTISSEMENT Ce produit il faut tre correctement mis à la terre.



NOTE : Le type de prise peut varier.

Figure 13 : Méthode recommandée de mise à la terre pour modèles 120 VAC.

Chapitre 6 : Installation de la plaque de protection

Numéros des modèles de plaque de protection basse et d'enjoliveur pour îlot

Format/type de plaque de cuisson	Dosseret 12 po (30,5cm)	Enjoliveur pour îlot *
30 po	PA30GLBC	Compris avec la surface de cuisson
36 po	PA36GLBC	
48 po	PA48GLBC	

Lors de l'utilisation de la garniture d'îlot THERMADOR, il faut un espace minimal de 12 po (305 mm) entre la partie arrière de l'appareil et la surface combustible (voir *Figure 1* à la page 7). Les espaces libres jusqu'aux surfaces non combustibles ne sont pas précisés dans la norme ANSI Z21.1 et ne sont pas certifiés par la CSA. Tout espace libre de moins de 12 po (305 mm) doit être approuvé par les normes locales ou l'autorité locale ayant compétence.

Posez la plaque de protection avant de glisser l'appareil à son emplacement définitif. Procédez tel qu'indiqué aux points A à E ci-dessous.

- Selon le modèle, enlevez les trois ou quatre vis en acier inoxydable fournies avec l'enjoliveur pour îlot. Enlevez les deux vis fixant la pièce au panneau arrière. Soulevez l'enjoliveur pour îlot pour l'enlever (A, *Figure 14*).
- Faites glisser les pattes des supports entre les deux panneaux arrière des boîtiers des cuisinières. Fixez chaque support avec quatre vis de 1½ po (38 mm) (B, *Figure 14*).
- Faites glisser la plaque de protection sur les deux supports à l'arrière de la cuisinière. Fixez-la en place avec huit vis de 1½ po (38 mm) (C, *figure 12*) (C, *Figure 14*).
- Fixez l'avant de la plaque de protection à la cuisinière avec trois ou quatre vis de ½ po (12,7 mm) (D, *Figure 14*).
- Placez le couvercle de la plaque de protection sur le dessus et fixez-le en place à l'aide de deux vis de ½ po (12,7 mm) (E, *Figure 14*).

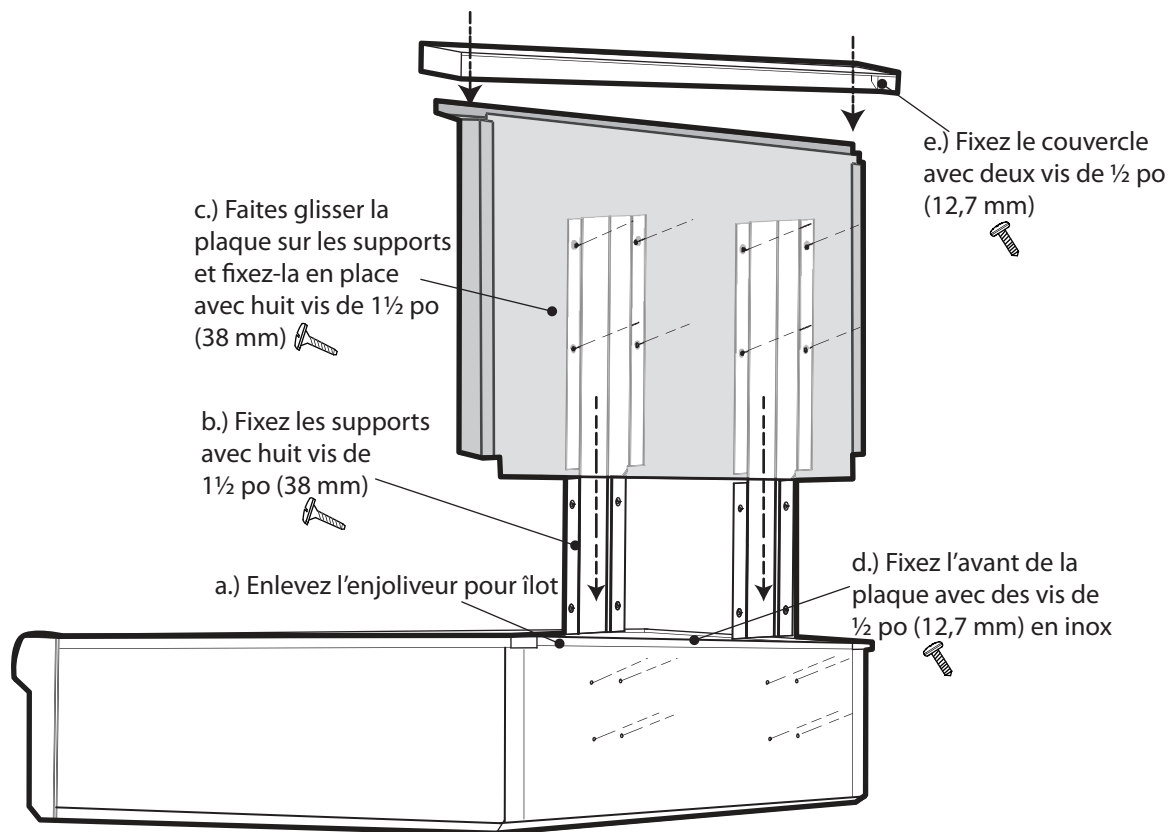


Figure 14 : Pose de la plaque de protection basse

Chapitre 7 : Test de brûler

Installer tout composant lâche, tels capuchons et grilles de brûleurs, ayant été retirés précédemment. S'assurer que les capuchons de brûleurs sont adéquatement placés sur les bases des brûleurs. Avant de vérifier le fonctionnement de l'appareil, vérifier qu'il n'y a aucune fuite à l'appareil et à la soupape de gaz; que l'appareil est branché sur l'alimentation électrique. Ouvrir la soupape d'arrêt de gaz manuelle.

Vérifier les brûleurs de surface de cuisson

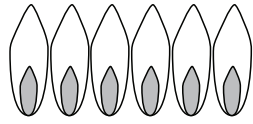
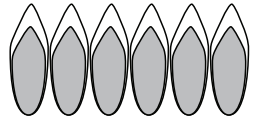
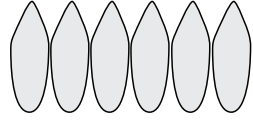
Vérifier l'allumage de brûleur. Choisir un bouton de surface de cuisson. Pousser et tourner dans le sens contre horaire à HI. Le module allumeur/ étincelle produit un clic. Une fois l'air purgé de la canalisation d'alimentation, le brûleur devrait s'allumer dans un délai de 4 secondes.

Vérifier la flamme. Réglage haute. Tourner le bouton à HI. Voir *Figure 15* pour les caractéristiques de flamme appropriées. Si un des brûleurs de surface de cuisson continue de presque brûler ou est complètement jaune, vérifier si le capuchon est positionné adéquatement sur la base du brûleur, puis essayer de nouveau. Si les caractéristiques de flamme ne s'améliorent pas, communiquer avec THERMADOR^{mc}.

Vérifier la flamme. Réglage bas. Tourner le bouton à LO. Vérifier si la flamme enveloppe complètement le brûleur. Il doit y avoir une flamme à chaque port du brûleur et il ne doit pas y avoir d'intervalle d'air entre la flamme et le brûleur. Si les brûleurs ne sont pas enveloppés, communiquer avec THERMADOR.

Les 2 brûleurs de surface de cuisson du côté gauche sont dotés de la fonction XLO, faisant effectuer un cycle marche-arrêt à la flamme lorsque le bouton est réglé à XLO. Ceci est normal.

Répéter l'allumage et la vérification de flamme décrits ci-dessus pour chaque brûleur de surface de cuisson.

Flamme jaune : Réglage nécessaire.	
Pointe jaune sur cône extérieur : Normal pour gaz LP.	
Flamme bleue : Normal pour gaz naturel.	

Si la flamme est complètement ou presque jaune, assurez-vous que le régulateur est réglé pour le combustible approprié. Après le réglage, vérifiez de nouveau.

Des rayures de couleur orangée sont normales pendant la mise en marche initiale.

Laissez l'appareil fonctionner de 4 à 5 minutes et évaluez de nouveau avant d'effectuer les réglages.

Figure 15 : Caractéristiques des flammes

Lorsque la flamme est adéquatement réglée :

- Il doit y avoir une flamme à chaque port du brûleur.
- Il ne doit pas y avoir d'intervalle d'air entre la flamme et le port du brûleur.

Communiquer avec THERMADOR si :

1. Tout brûleurs ne s'allume pas.
2. Si tout brûleurs continue de brûler jaune.

Liste de vérification pour l'installateur

Liste finale de vérification

- La table de cuisson bien positionnée sur son emplacement.
- Les distances indiquées entre l'appareil et les armoires adjacentes sont respectées.
- Les chapeaux des brûleurs sont bien placés sur les bases.
- Tout matériel d'emballage retiré.
- La garniture d'îlot ou le dossier installé selon les instructions.
- La plaque de grille sont correctement positionnée et nivelée (Voir "Ajustement de l'inclinaison de la plaque de cuisson" on page 11 pour connaître la procédure d'ajustement.)

Alimentation en gaz

- Raccord : un filetage NPT de 12,7 mm (1/2 po) avec tuyau flexible d'un diamètre minimum de 19,1 mm (3/4 po) est en place.
- Si conversion du gaz naturel et gaz LP, consulter les instructions de conversion LP pour plus de détails.
- Le robinet manuel d'arrêt de gaz est installé à un endroit accessible (sans avoir à bouger l'appareil).
- L'appareil a été testé et dépourvu de fuites de gaz.

Électricité

- Pour les modèles avec grille électrique, une prise 120VAC mise à la terre et polarisé avec protection de surcharge 15 amp est fournie pour la connexion avec cordon.

Fonctionnement

- Tous les matériaux d'emballage ont été enlevés à l'intérieur. (Vérifiez sous les grilles et les lèchefrites.)
- Les cadrans des boutons sont bien centrés et les boutons tournent librement.
- Épurez l'air du système au gaz en faisant fonctionner un des brûleurs pendant plusieurs minutes.
- Chaque brûleur s'allume correctement, seul ou avec d'autres brûleurs allumés.
- Les grilles des brûleurs doivent être correctement positionnées.

Installateur

- Écrivez le numéro de modèle et le numéro de série (voir la « Fiche signalétique » de la page 1 pour connaître son emplacement). Laissez la GUIDE D'UTILISATION ET D'ENTRETIEN et les INSTRUCTIONS D'INSTALLATION au propriétaire de l'appareil.

Nettoyage et protection des surfaces extérieures

- Les surfaces en acier inoxydable se nettoient en passant un chiffon mouillé à l'eau savonneuse.
- Retirez les traces de doigts et les barioles à l'aide d'un produit à vitres doux. Tout nettoyage doit être suivi d'un rinçage à l'eau claire. Séchez avec un chiffon propre et doux pour éviter les traces d'eau. Pour les décolorations ou les dépôts persistants, utilisez un produit d'entretien ménager ne rayant pas ou une poudre à polir pour acier inoxydable avec un peu d'eau et un chiffon doux. Pour les cas récalcitrants, utilisez un tampon à récurer en plastique ou une brosse à poils doux avec un produit d'entretien et de l'eau. Frottez légèrement dans le sens des lignes de polissage ou du « grain » de la finition en acier inoxydable. Évitez de frotter trop vigoureusement pour ne pas rayer la surface.
- Utilisez un produit nettoyant ou un poli pour acier inoxydable afin de protéger la finition et d'en conserver l'aspect.
- **NE LAISSEZ PAS** les taches s'incruster.
- **N'UTILISEZ PAS** de tampons ni de brosses métalliques. De petits morceaux de métal risquent d'adhérer à la surface et de la faire rouiller.
- **NE LAISSEZ PAS** les solutions salines, les désinfectants, l'eau de javel ou les produits de nettoyage en contact avec l'acier inoxydable. Ces produits contiennent en général des produits chimiques susceptibles de l'endommager. Rincez-les à l'eau et séchez avec un chiffon sec.

Dépannage

Voyez le Guide d'utilisation et d'entretien pour les renseignements de dépannage.

Contenidos

Instrucciones de seguridad	1
Información importante para la instalación	2
Paso 1: Requerimientos para la ventilación	3
Paso 2: Preparación de los gabinetes.	4
Paso 3: Desempacar, mover, posicionar y anclaje la parrilla	10
Paso 4: Requerimientos de gas y conexiones	10
Paso 5: Requerimientos eléctricos, conexión y puesta a tierra.	12
Paso 6: Instalación de la consola trasera de protección.	13
Paso 7: Probar el quemador	14
Lista de chequeo de instalador	15
Servicio, piezas y accesorios.	contraportada

Este electrodomestico de THERMADOR® es hecho
por BSH Home Appliances Corporation
1901 Main Street, Suite 600
Irvine, CA 92614

¿Preguntas?

1-800-735-4328

www.thermador.com

¡Esperamos oír de usted!

Instrucciones de seguridad



INSTRUCCIONES IMPORTANTES DE SEGURIDAD GUARDE Y LEA LAS INSTRUCCIONES

IMPORTANTE: Guarde estas instrucciones para el uso del Inspector Local de Electricidad.

INSTALADOR: Por favor deje estas instrucciones con esta unidad para el propietario.

PROPIETARIO: Por favor retenga estas instrucciones para referencia futura.

INSTRUCCIONES DE LA TOMA DE TIERRA

Es necesario hacer la toma de tierra de este aparato. La toma de tierra reduce los riesgos de descarga eléctrica proporcionando a la corriente eléctrica una vía de escape en caso de cortocircuito.

ADVERTENCIA!

La instalación, ajuste, alteración, servicio o mantenimiento incorrecto puede causar lesiones o dañar la propiedad. Consulte este manual. Para ayuda o información adicional consulte a un instalador calificado, agencia de servicios, al fabricante (distribuidor) o al proveedor de gas.

ADVERTENCIA!



La falta de observar la información en este manual puede causar un fuego o una explosión, y como resultado daños a la propiedad, lesiones o la muerte.

— No guarde o use materiales combustibles, gasolina u otros vapores y líquidos inflamables cerca de este o cualquier otro aparato.

— QUÉ HACER CUANDO HUELE A GAS

- No trate de encender ningún aparato.
- No toque ningún interruptor eléctrico.
- No use ningún teléfono en su edificio.
- Llame de inmediato a su proveedor de gas desde el teléfono de algún vecino.
Siga las instrucciones de su proveedor de gas.
- Cuando no pueda localizar a su proveedor de gas, llame a los bomberos.
- Un instalador calificado, una agencia de servicio autorizada o el proveedor de gas debe realizar la instalación y el servicio.

Para Instalaciones en Massachusetts:

1. La instalación debe ser realizada por un contratista, plomero o técnico de gas calificado autorizado, quien está calificado o autorizado por el estado, la provincia o región donde se está instalando este aparato.
2. La válvula de cierre debe ser un grifo de gas en T.
3. El conector flexible de gas no debe medir más de 36 pulgadas.

ADVERTENCIA!



Desconecte la corriente antes de la instalación. Antes de Prender (**ON**) la corriente, asegúrese que todos los controles estén en la posición Apagado (**OFF**).

POR FAVOR LEA TODAS LAS INSTRUCCIONES ANTES DE CONTINUAR

Nota:

Esta estufa **NO** está diseñada para la instalación en casas rodantes o en remolques que se usan en parques recreativos.

NO instale este aparato en el exterior.

Placa con información del producto

La placa con información del aparato mostrando el modelo y número de serie de su parrilla se encuentra debajo del bastidor de la parrilla cerca de la parte delantera del aparato. Se requiere esta información si el cliente solicita servicio. Antes de la instalación, el modelo y los números de serie deben ser escritos en los espacios apropiados en la sección "ANTES DE LLAMAR PARA SERVICIO" cerca de la parte trasera del Manual de Uso y Cuidado. Una vez instalada, es difícil acceder a la información.

IMPORTANTE:

Los códigos locales varían. la instalación, las conexiones eléctricas y de gas y la puesta a tierra deben cumplir los códigos aplicables.

Información importante para la instalación

Alimentación eléctrica:

Modelo de 30":

4 Quemadores - 120 VAC, 60 Hz., monofásico, 10 Amps

Modelos de 36":

6 Quemadores - 120 VAC, 60 Hz., monofásico, 10 Amps
4 Quemadores con plancha eléctrica o parrilla - 120 VAC, 60 Hz., monofásico, 15 Amps

Modelo de 48":

6 Quemadores con plancha eléctrica o parrilla - 120 VAC, 60 Hz., monofásico, 15 Amps

Suministro de gas:

Gas Natural – 6" min. a 14" max. columna de agua (14.9 mb a 34.9 mb)

Gas Propano – 11" min. a 14" max. columna de agua (27.4 mb a 34.9 mb)

Todos los quemadores sellados están clasificados para 18,000 BTU/HR (*15,000 BTU/HR en gas LP). *Todos los modelos son convertibles a gas LP/Propano utilizando un kit de accesorios de conversión.

IMPORTANTE:

Cuando se instala sobre una superficie combustible, se debe usar una consola trasera baja o un estante alto. Se debe comprar por separado una consola trasera baja o un estante alto THERMADOR®.

Cuando se utiliza el adorno de isla THERMADOR, hace falta un espacio libre trasero mínimo de 12 pulg. (305 mm) entre el aparato y la superficie combustible (vea la *Figura 1, Espacios libres para los armarios*). Los espacios libres para las materias no combustibles no forman parte de la norma ANSI Z21.1 y no están certificados por la CSA. Los códigos locales o la autoridad local competente deben aprobar los espacios libres de menos de 12 pulg. (305 mm).

Se recomienda fuertemente instalar este aparato junto con **una campana colgada** adecuada. (Vea "Paso 1: Requerimientos para la ventilación".)

Revise las regulaciones locales de construcción para el método correcto de la instalación del aparato. Los códigos locales varían. La instalación, conexiones eléctricas y la puesta a tierra deben cumplir con todos los códigos locales. A falta de códigos locales, se debe instalar el aparato conforme al Código Eléctrico Nacional ANSI Z223.1/FNPA 54 edición actual y del Código Nacional de Gas Combustible ANSI/NFPA 70-edición actual. En Canadá la instalación debe estar conforme a la norma CAN 1-B149.1 y .2 – códigos de instalación para aparatos que queman gas y/o los códigos locales.

Este aparato incluye un dispositivo de encendido intermitente/ interrumpido que prende apaga los dos quemadores izquierdos en el modo ExtraLow.

PRECAUCIÓN!

Cuando conecte la unidad a gas propano, asegúrese que el tanque de gas propano venga con su propio regulador de alta presión además del regulador de presión que se incluye con la estufa. La máxima presión de gas a este aparato no debe exceder 14.0 pulgadas de columna de agua (34.9 mb) del tanque de gas propano al regulador de presión.

PRECAUCIÓN!

El aparato sirve para cocinar. Basado en consideraciones de seguridad, nunca debe usar la parrilla para calentar una habitación.

PRECAUCIÓN!

Para eliminar el riesgo de quemaduras o fuego al inclinarse encima de superficies calientes, se deben evitar espacios de almacenamiento en los gabinetes arriba de las unidades superficiales.

ADVERTENCIA!

Advertencias en virtud de la Proposición 65 del estado de California:

Este producto contiene una o más sustancias químicas que el estado de California sabe que provocan cáncer, defectos congénitos, u otro daño reproductivo.

Debido a la capacidad de alta temperatura de esta unidad, debe prestar particular atención a la campana y la instalación del trabajo del conducto para asegurar que cumple los códigos de edificación locales.

Esta unidad cumple con uno o más de los siguientes Estándares:

- UL 858, Norma de seguridad para estufas eléctricas domésticas
- ANSI Z21.1, Norma americana nacional para aparatos domésticos de gas
- CAN 1-1.1-M81, Domestic Gas Ranges
- CAN/CSA-C22.2 No. 61 – estufas domésticas

Es responsabilidad del dueño de la unidad y del instalador al determinar si aplican requerimientos legales y/o estándares adicionales aplican para instalaciones específicas.

Retire toda la cinta y material de empaque antes de utilizar la unidad. Destruya el material de empaque posterior a desempacar la unidad. Nunca permita que los niños jueguen con material de empaque.

OUTILS REQUIS	
Tournevis Torx T-20	Cinta métrica
Scie sauteuse	Clé ajustable de 12 po
Niveau	Instrumento para marcar
Guantes de protección	
ARTÍCULOS NO INCLUIDOS	
Conducto flexible de ¾ pulg. (19 mm)	Cinta y compuesto de tubería



Quite todas las cintas y el material de embalaje antes de usar el aparato. Recicle todo el material de embalaje ya que todo lo que utiliza THERMADOR para embalar sus aparatos es reciclable. Nunca permita que los niños jueguen con el material de empaque.

Paso 1: Requerimientos para la ventilación

Consulte la *Guía de planificación de ventilación* para conocer las combinaciones de ventilación aprobadas.

Es altamente recomendado que este aparato se instalado en conjunto con una campana de extracción THERMADOR. Debido a la alta capacidad de calentamiento de esta unidad, se debe prestar particular atención al trabajo de instalación de la campana y del ducto para asegurar que cumpla con los códigos locales de construcción.

No debería usar este aparato con un sistema de ventilación de corriente descendiente. La *Guía de planificación de ventilación* indica las campanas que se pueden usar y contiene consignas respecto a las capacidades de las campanas que se recomiendan usar con todas las estufas THERMADOR.

No instale una combinación del horno de microondas/ ventilador sobre la parrilla, pues estos tipos de unidades no proporcionan la ventilación apropiada y no son convenientes para el uso con la parrilla.

Nota:

Las campanas de ventilación y los ventiladores están diseñados para usarse con ductos sencillos de pared. Sin embargo, algunos códigos locales de construcción o inspectores de obras pueden requerir ductos dobles de pared. Consulte los códigos locales de construcción y/o las agencias locales antes de comenzar, para estar seguro que la instalación de la campana y de los ductos cumplen con los requerimientos locales.

AVISO:

La mayor parte de las campanas contienen componentes combustibles que hay que tener en cuenta en el momento de planificar la instalación.

ADVERTENCIA!

No se debería instalar este aparato con un sistema de ventilación de corriente descendiente. Este tipo de sistema de ventilación puede presentar riesgo de ignición y problemas de combustión, provocando lesiones corporales, daños materiales o un funcionamiento involuntario. No se aplica ninguna restricción a los sistemas de ventilación de corriente ascendiente.

1. Seleccionar la campana y el ventilador:

- Para instalaciones en la pared, el ancho de la campana debe ser por lo menos igual al ancho de la superficie de la parrilla. Donde el espacio lo permite se puede instalar una campana más ancha que la superficie de cocinar para mejorar el funcionamiento de la campana.
- Para instalaciones tipo isla, el ancho de la campana colgada debe rebasar el ancho de la superficie de cocinar de la estufa al menos por 3" en cada lado.

2. Colocar la campana:

- Para eliminar mejor el humo se debe instalar el borde inferior de la campana a una distancia de 30" arriba de la superficie de cocinar de la estufa (Vea *Figure 1*).
- Si la campana contiene algunos materiales combustibles (i.e., una cubierta de madera), se debe instalar a una distancia mínima de 40" arriba de la superficie de cocinar.

3. Considerar aire de reposición:



- Debido al alto volumen del aire de ventilación, se recomienda tener una fuente externa para reemplazar el aire. Esto es sumamente importante para hogares muy bien sellados y aislados.
- Consulte a un contratista calificado de calefacción y ventilación.

Paso 2: Preparación de los gabinetes

1. Para lograr resultados profesionales, contrate a un carpintero calificado para preparar los recortes en la cubierta y para los gabinetes.
2. Se requieren los espacios libres indicados en la *Figure 1*. Los mismos espacios libres aplican a instalaciones tipo isla, excepto para los gabinetes colgados, que deben tener un espacio con suficiente ancho para acomodar la campana de isla.
3. La parrilla está diseñada para colgar de la cubierta por sus costados. Sin embargo, la cubierta debe ser suficientemente fuerte para soportar esta parrilla. Puede ser necesario añadir una tablita de soporte junto a cada lado (vea *Figure 2*) o un ángulo de 2 x 4 (vea *Figure 3* y *Figure 4* y Detalle A). Otra alternativa sería construir una cubierta donde se coloque la parrilla.
4. Se puede instalar la parrilla en varias posiciones con el frente empotrado o salido, dependiendo de la profundidad de la cubierta. (Vea *Figure 5*, vista lateral de la parrilla; vea *Figure 3*, *Figure 4*, *Figure 6* y *Figure 7* para posiciones de montaje alternativo.)
5. Se debe instalar el suministro eléctrico y de gas en un área con fácil acceso sin tener que quitar la parrilla. El cable de alimentación eléctrica y la conexión del tubo de gas del aparato como se muestra en *Figure 5* y *Figure 9*.
6. Cuando se instala sobre una superficie combustible, se debe usar una consola trasera baja o un estante alto. Se debe comprar por separado una consola trasera baja o un estante alto THERMADOR®. Vea el paso 8 para obtener información sobre la consola trasera, los kits y la instalación.
7. Cuando se utiliza el adorno de isla THERMADOR, hace falta un espacio libre trasero mínimo de 12 pulg. (305 mm) entre el aparato y la superficie combustible (vea la *Figura 1*, *Espacios libres para los armarios*). Los espacios libres para las materias no combustibles no forman parte de la norma ANSI Z21.1 y no están certificados por la CSA. Los códigos locales o la autoridad local competente deben aprobar los espacios libres de menos de 12 pulg. (305 mm).
8. Cuando la estufa se instala sobre una pared combustible, se requiere un espacio libre de un mínimo de 5 pulg. (127 mm) entre la estufa y la pared.
9. La máxima profundidad de los armarios colgados de cualquier lado de la campana es de 13 pulg. (330 mm).
10. Debe haber un espacio libre mínimo de 36 pulgadas (91,4 cm) entre la superficie de cocinar y el fondo de un gabinete no protegido. Se necesita una distancia mínima de 30 pulgadas (76,2 cm) cuando el fondo del gabinete de madera o metal está protegido por no menos de 1/4 pulgada (6,35 mm) de un material retardante al fuego cubierto con no menos de lámina de acero calibre 28 MSG, acero inoxidable con un grosor de 0.015-pulg. (0.4 mm), aluminio con un grosor de 0.024-pulg. (0.6 mm), o cobre con un grosor de 0.020-pulg. (0.5 mm). Los materiales retardantes al fuego llevan la leyenda:
**UNDERWRITERS LABORATORIES INC.
CLASSIFIED MINERAL Y FIBER BOARDS
SURFACE BURNING CHARACTERISTICS** seguido por la propagación de llamas y las clasificaciones de humo, estas designaciones aparecen como "FHC (Propagación de llamas/Humo desarrollado)". Materiales con una clasificación de propagación de llamas de "O" son retardantes al fuego. Los códigos locales pueden permitir otras clasificaciones para la propagación de llamas.
11. Establezca la línea central del lugar deseado de la parrilla. Debe ser igual que el centro de la campana colgada.
12. Haga los recortes para las siguientes instalaciones:
 - Instalación en pared, vea *Figure 3*.
 - Instalación tipo isla, vea *Figure 4*.
13. Para instalar una parrilla de 48" arriba de dos cajones calentadores THERMADOR®, Modelo WD24, que están lado a lado, consulte la *Figure 8*. Cuando termina la instalación según *Figure 8*, los bordes izquierdo y derecho de la parrilla quedan alineados con el borde izquierdo del cajón izquierdo y con el borde derecho del cajón derecho. Cuando desea una alineación diferente, se puede modificar la distancia horizontal de 1-7/8" (4.8 cm) entre los recortes del cajón. Sin embargo, mantenga al menos una distancia de 1-1/8" (2.9 cm) para evitar interferencia entre los cajones calentadores. Instale un codo de 90° al tubo de entrada de gas de la parrilla. Se deben observar todos los espacios libres arriba de la cubierta, como se muestra en la *Figure 1*.

NOTAS:

- Cuando hay una pared sólida del gabinete lateral en uno o ambos lados, tendrá que entallarla esquina delantera del gabinete para coincidir con la ranura de la cubierta y para permitir un espacio libre para el frente de la cubierta (vea Detalle A, *Figure 3* y *Figure 4*).
- Si se usa una tablita de soporte, los costados o el fondo del recorte pueden ser de un material sólido combustible o no combustible. Si el fondo es sólido, haga un recorte de 12" por 12" (305 x 305 mm) en la esquina trasera izquierda de la tablita de soporte. Esto dará el espacio libre para la entrada de gas y el cable eléctrico, permitiendo al mismo tiempo la vista de la etiqueta del producto.
- Siempre mantenga limpia el área del aparato y libre de materiales combustibles, gasolina y otros vapores y líquidos inflamables.
- No obstruya el flujo del aire de combustión y de ventilación a la unidad.

 ADVERTENCIA!	
 <p>Rejilla de ventilación de la consola baja</p>	<p>NO bloquee y NO obstruya las aberturas de la rejilla de ventilación. La rejilla de ventilación se sitúa detrás del aparato. La rejilla de ventilación debe estar despejada y abierta para permitir la circulación de aire necesaria para el buen funcionamiento del aparato.</p> <p>NO toque la zona de alrededor de la rejilla de ventilación cuando esté funcionando el aparato ni durante varios minutos después de la utilización del mismo. Algunas piezas de la rejilla de ventilación y de la zona adyacente llegan a estar suficientemente calientes como para provocar quemaduras. Deje tiempo suficiente para que el aparato pueda enfriarse antes de tocarlo o limpiarlo.</p> <p>No coloque objetos de plástico o de otras materias sensibles al calor en la rejilla de ventilación o cerca de ella. Podrían prender fuego.</p>

Campana de 30" o 36" (762 – 914 mm) para Parilla de 30"
 Campana de 36" o 42" (914 – 1067 mm) para Parilla de 36"
 Campana de 48" o 60" (1219 – 1524 mm) para Parilla de 48"

La zona sombreada aquí arriba indica el espacio libre mínimo hasta superficies combustibles; las materias combustibles no pueden colocarse dentro de esta zona

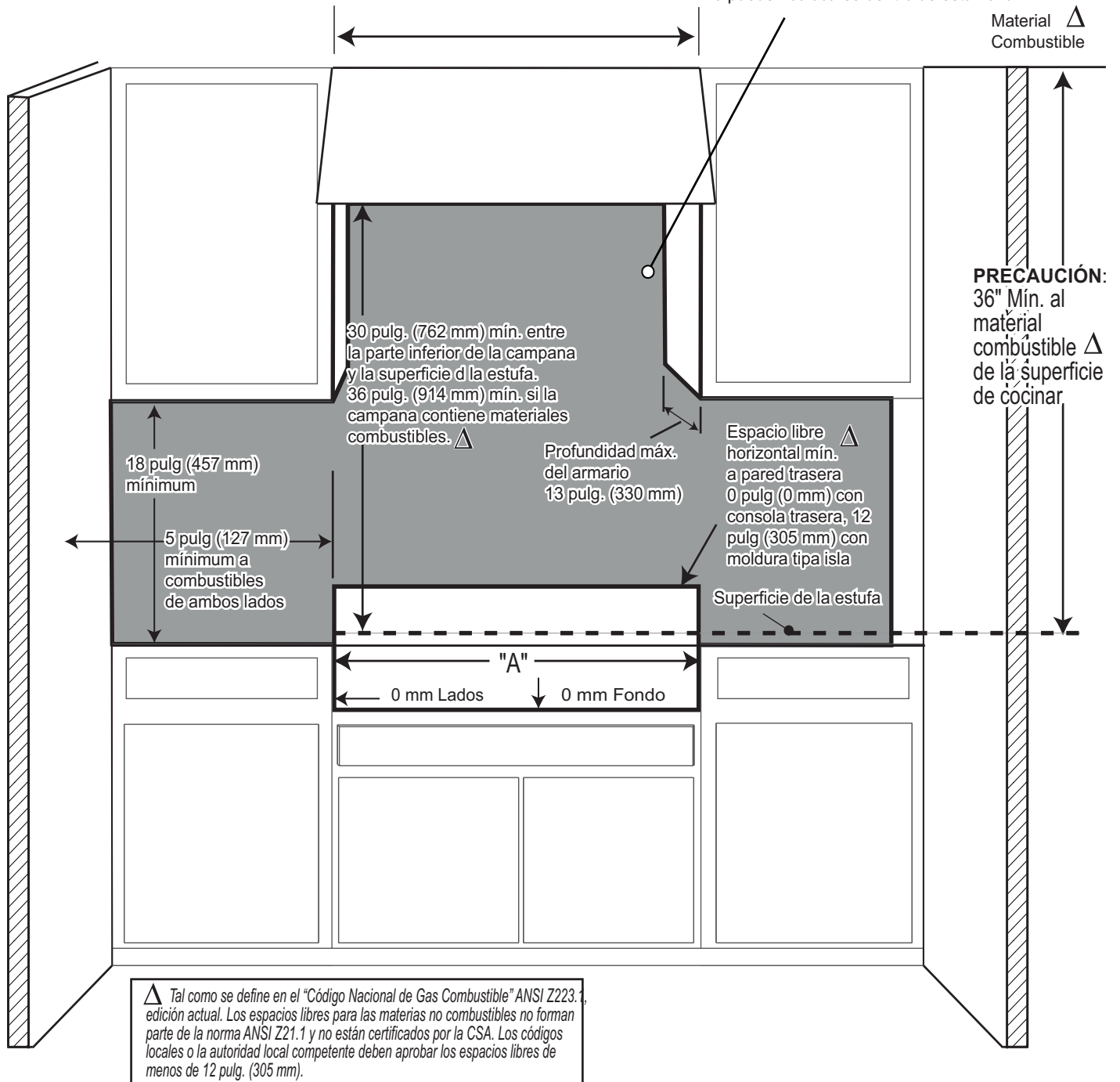


Figura 1: Requerimientos espacios libres

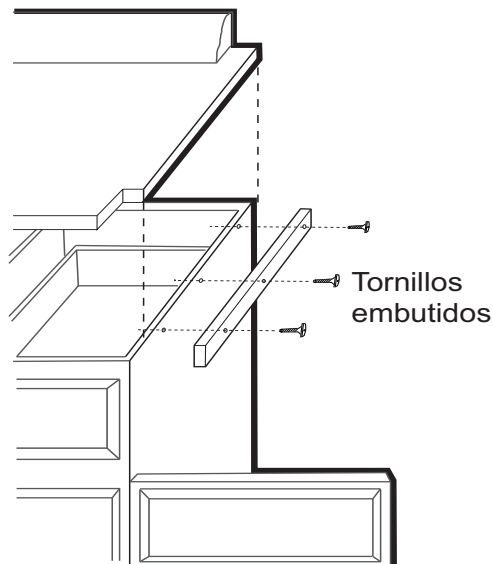


Figura 2: Instalar los soportes laterales (ambos lados)

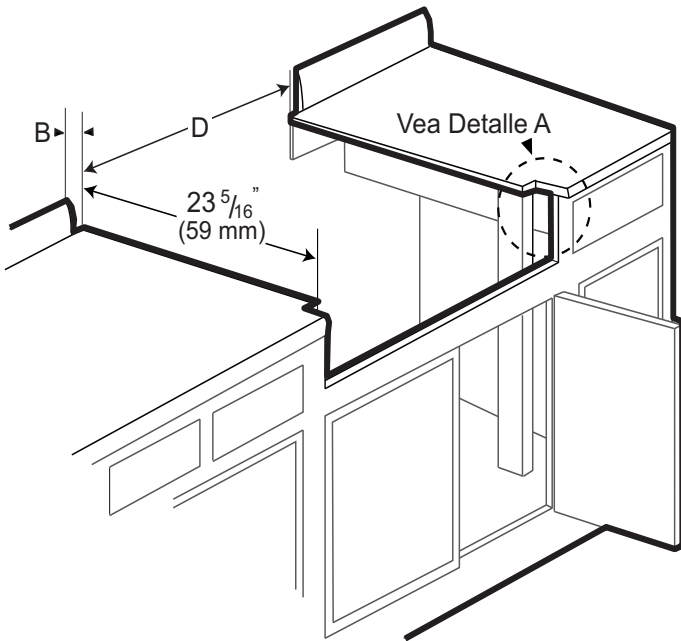


Figura 3: Instalación de pared con salpicadero trasero en la cubierta

Requerimientos espacios libres para Campanas
 Isla – Ancho de campana de 42" o 48" para Parrilla 36"
 Isla – Ancho de campana de 54" o 60" para Parrilla 48"

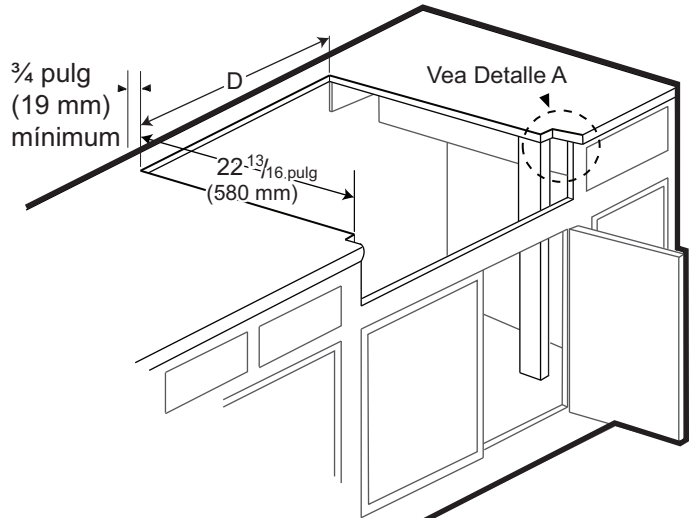
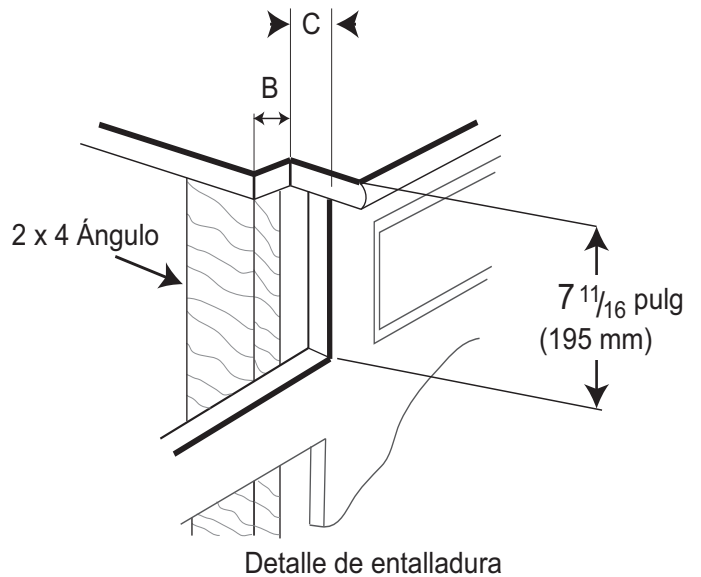
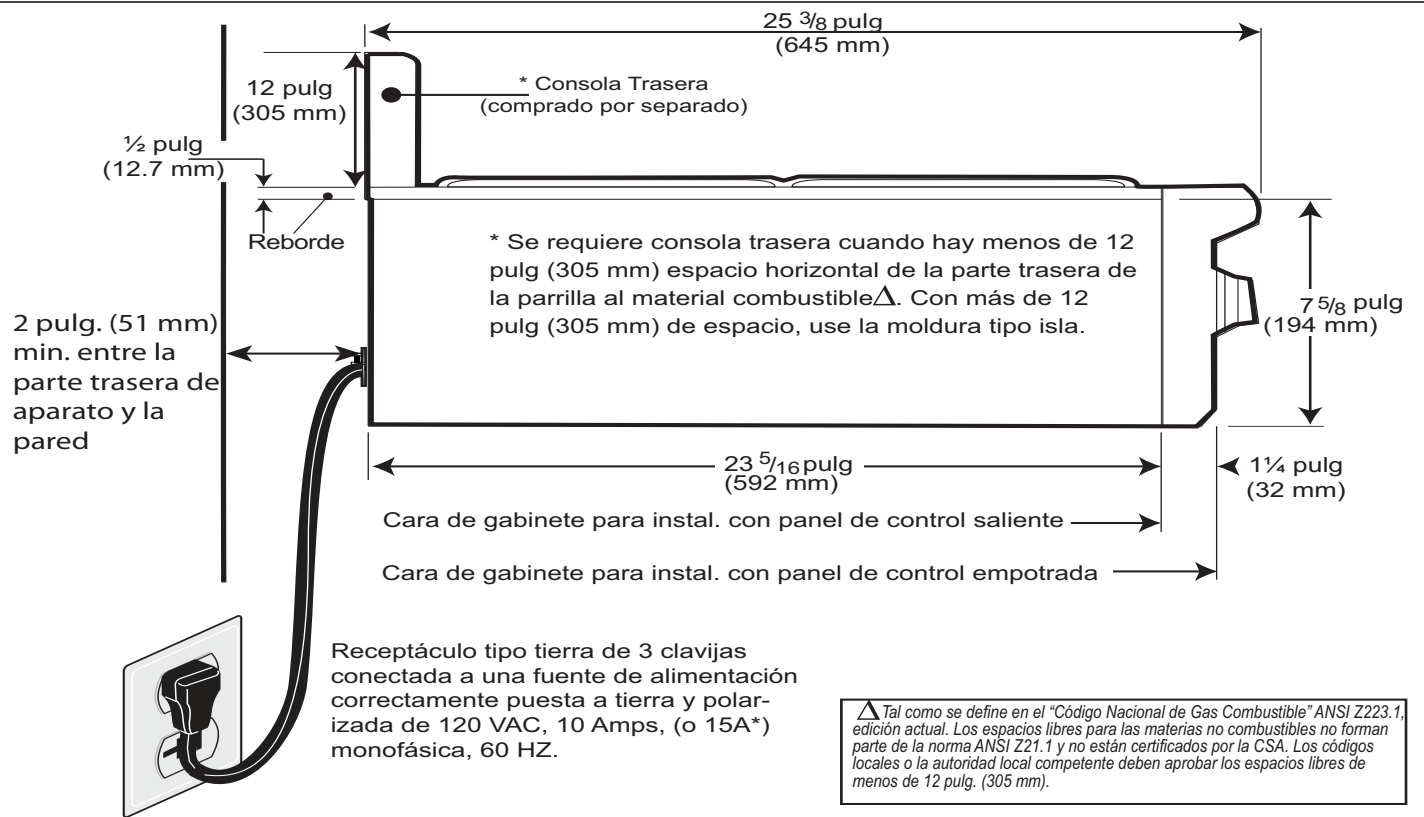


Figura 4: Instalación tipo isla (sin salpicadero trasero en la cubierta)



Detalle A: (cara del gabinete)

	PARILLA 30"	PARILLA 36"	PARILLA 48"
A	29 7/8" (759 mm)	35 7/8" (911 mm)	47 7/8" (1216 mm)
B	3/8" (10 mm)	3/8" (10 mm)	13/16" (21 mm)
C	0" (Panel de control sale 1-1/4" de la cara del gabinete básico) 11/16" (Entalladura req. para gabinete estándar de 24", Panel de control sale 9/16" de la cara del gabinete básico), 1-1/4" (Panel de control al ras con cara del gabinete – Se requiere un gabinete básico mínimo de 24-9/16.)		
D	29 1/8" (740 mm)	35 1/8" (892 mm)	46 1/4" (1175 mm)



NOTA: Aparato con consola trasera baja (vendida por separado).

Figura 5: Vista lateral de la Parrilla

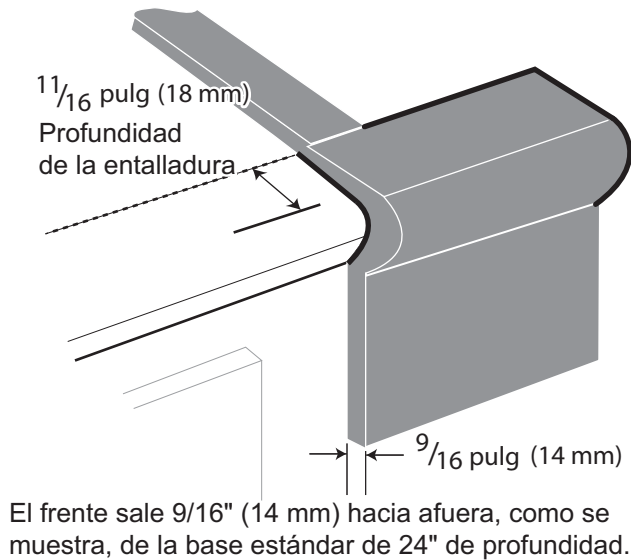


Figura 6: Saliendo del frente del gabinete

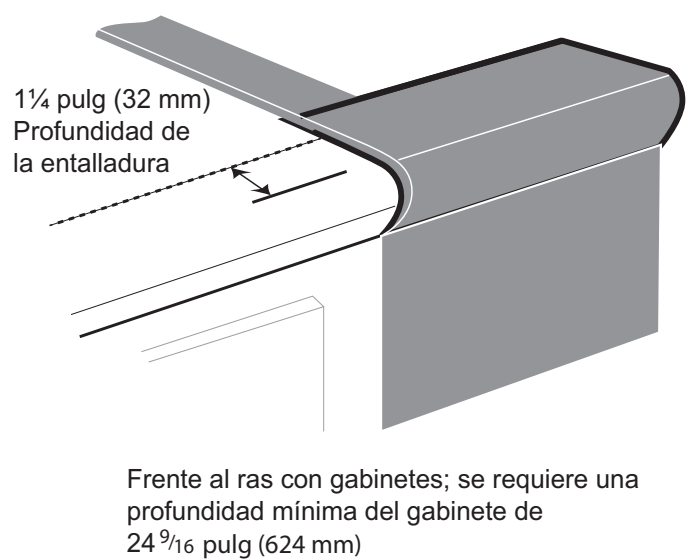


Figura 7: Al ras con el frente del gabinete

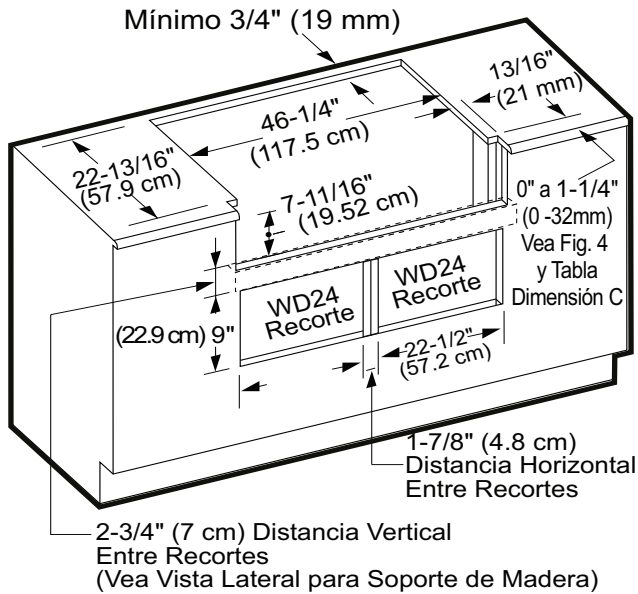


Figura 8: Instalación de una Parrilla 48" arriba de dos cajones calentadores THERMADOR lado-a-lado, Modelo No. WD24

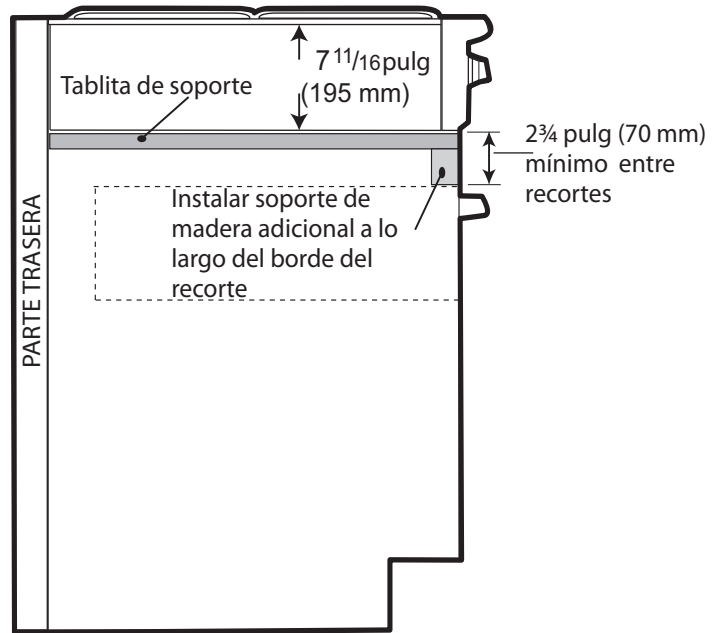
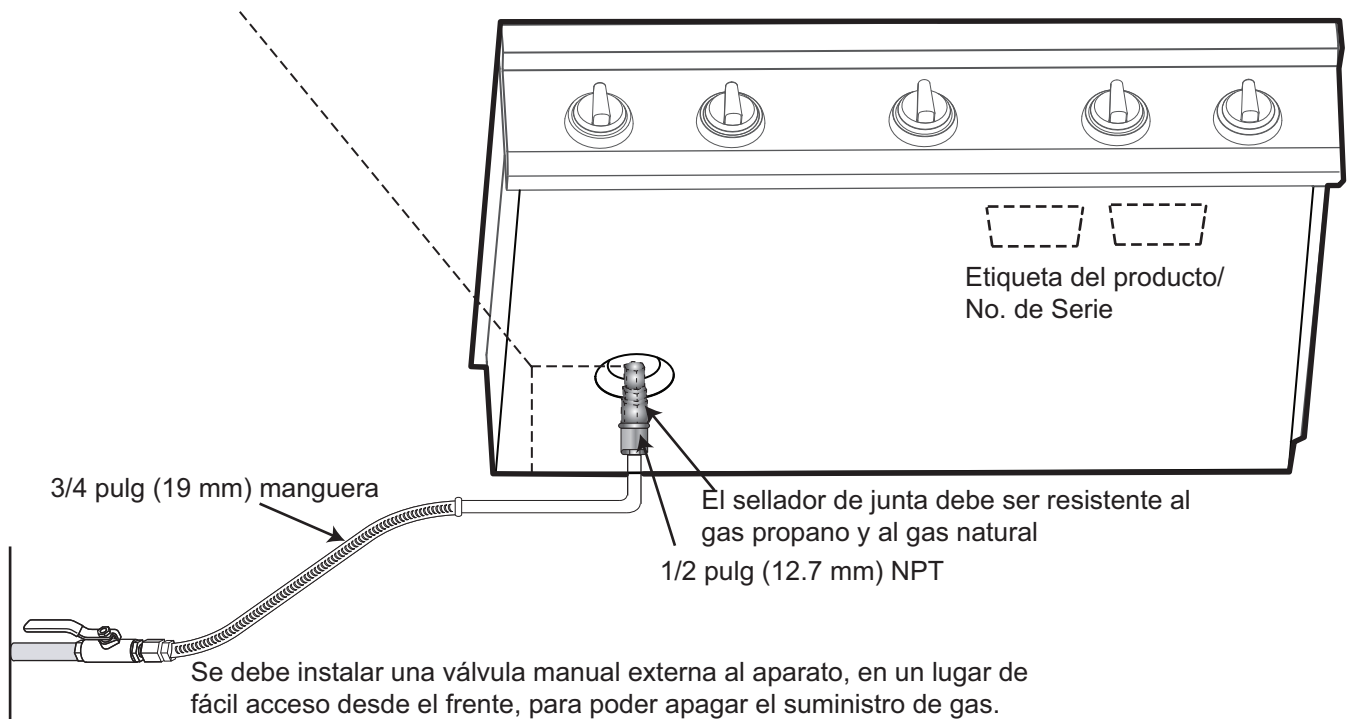


Figura 8b: Instalación de una Parrilla 48" arriba de dos cajones calentadores THERMADOR® lado-a-lado, Modelo WD24 (Vista lateral)

UBICACIÓN DE LA ENTRADA DE GAS	
Del lado izquierdo a la línea central de la entrada de gas	5 5/8" (143 mm)
De la parte trasera a la línea central de la entrada de gas	8 1/2" (215 mm)



Se debe instalar una válvula manual externa al aparato, en un lugar de fácil acceso desde el frente, para poder apagar el suministro de gas.

Figura 9: Fondo de unidad

Todas las partes suministradas por el instalador deben cumplir con los códigos locales.

* Corriente eléctrica de 15 Amp 120 VAC es requerida para modelos de 36" y 48" sin una plancha eléctrica.

Paso 3: Desempacar, mover, posicionar y anclaje la parrilla

ADVERTENCIA!



Se debe utilizar el equipo apropiado y suficientes personas para mover la parrilla y evitar lesiones, y para no dañar la unidad o el piso. La unidad está pesada y se debe manejar apropiadamente.

- Verifique que el aparato coincida con el tipo de gas suministrado. Consulte el Paso 4 antes de proceder con la instalación.
- Quite la caja exterior de cartón y el material de empaque de la base de embarque. Asegúrese de tener todos los componentes de la parrilla antes de continuar.
- Quite las rejillas de la superficie de cocción, la placa de la parrilla (si hay una) y las tapas de los quemadores para que la estufa pese menos.
- Deje la capa de espuma con adhesivo sobre superficies de metal cepillado, para proteger el acabado de rayones, hasta que la parrilla esté instalada en su posición final.
- Con un destornillador Phillips, quite los tres soportes de montaje que fijan la estufa a la paleta. Deshágase de los tornillos y soportes una vez quitados.
- Instale la consola trasera de protección antes de insertar el aparato a su posición final. Vea el Paso 6.
- Levante y posicione la parrilla en la abertura. Tenga cuidado para no doblar el cable eléctrico o la entrada de gas. Tenga cuidado para no arañar la plancha.
- Asegúrese que el cable de alimentación no esté demasiado tendido y se pueda mover fácilmente.
- Para obtener un rendimiento adecuado, la hornilla debe estar al nivel.
- Reemplace las rejillas y las tapas de los quemadores. Asegúrese de asentar correctamente las tapas de los quemadores sobre sus bases.

Ajuste de inclinación de la plancha

Para asegurarse que la plancha esté bien ajustado, eche dos cucharadas de agua en la parte trasera de la plancha. El agua debería bajar lentamente al colector de grasa. De lo contrario, ajuste los dos tornillos ubicados en la parte trasera, bajo la placa. Comience con medio giro de los tornillos en sentido opuesto del reloj (CCW por sus siglas en inglés). Otros ajustes deben ser de un cuarto giro hasta que el agua fluya lentamente al colector de grasa.

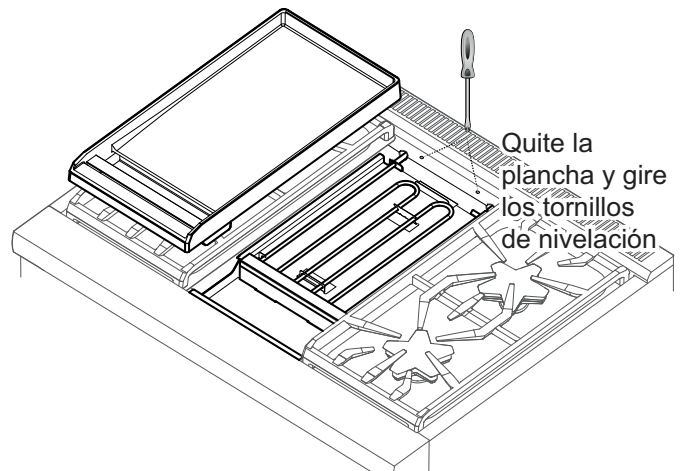


Figura 10: Tornillos de nivelación de la parte de la parrilla

Paso 4: Requerimientos de gas y conexiones

Las parrillas vienen de fábrica con certificado para el uso con gas natural. Deben ser convertidas para ser utilizadas con propano. Asegúrese que el tipo de gas utilizado en el lugar de la instalación coincida con el tipo de gas utilizado por el aparato.

Si el lugar/trabajo requiere una conversión de gas natural a gas propano (LP), contacte al distribuidor donde compró la unidad o contacte a THERMADOR®. El kit de conversión de las hornillas Profesional de esta serie es el modelo THERMADOR PALPKITHC. Observe todas las instrucciones en esta unidad para una conversión correcta del regulador de gas y para los ajustes de las válvulas de gas. Solamente personal técnico calificado debe realizar la conversión.

ADVERTENCIA!

Si se utiliza un kit de conversión de gas debe ser instalado por una agencia de servicio calificada de acuerdo a las instrucciones del fabricante y todos los códigos y requerimientos de la autoridad que tenga jurisdicción. Si la información de estas instrucciones no es seguida exactamente, puede resultar un incendio, explosión o producción de monóxido de carbono, causando daños a propiedad, lesiones personales o la muerte. Las agencias de servicio calificadas son responsables de la instalación adecuada de este kit. La instalación no es adecuada ni completa hasta que la operación de las unidades es verificada como se especifica por las instrucciones del fabricante proveídas con el kit.

Requerimientos para gas natural:

Conexión entrada: 1/2" NPT (conducto flexible de 3/4" diámetro)

Presión suministro: 6" a 14" columna de agua (14.9 a 34.9 mb)

Presión manifold: 5" columna de agua (12.5 mb)

Requerimientos para gas propano:

Conexión entrada: 1/2" NPT (conducto flexible de 3/4" diámetro)

Presión suministro: 11" a 14" columna de agua (14.9 a 34.9 mb)

Presión manifold: 10" columna de agua (24.9 mb)

Conexión

- Se debe instalar una válvula manual externa de cierre de gas, en un lugar accesible desde el frente para cerrar el suministro de gas. La línea de suministro no debe interferir con la parte trasera de la unidad. Asegúrese de cerrar el suministro de gas en la válvula de cierre manual antes de conectar el aparato
- El instalador debe informar al consumidor de la localización de la válvula de paso de gas. Asegúrese que todos los usuarios saben dónde y cómo cerrar la entrada de gas de la parilla.
- Un técnico competente debe realizar las conexiones del suministro de gas conforme a los códigos y regulaciones locales. A falta de códigos locales, la instalación debe estar conforme al Código Nacional de Gas Combustible ANSI Z223.1/NFPA54- edición actual.
- Siempre utilice compuesto para sellar tuberías o cinta Teflon[®] en la rosca de las tuberías, y tenga cuidado de no aplicar demasiada presión al apretar las conexiones.
- Todas las partes suministradas por el instalador deben estar conforme a todos los códigos que aplican.
- Las pruebas de fugas del aparato deben estar conforme a las siguientes instrucciones.
 - Prenda el gas y revise las conexiones de la línea de suministro para ver si hay fugas usando una solución con agua y jabón.
 - Burbujas que aparecen indican una fuga de gas. Repare todas las fugas de inmediato.

ADVERTENCIA!

No use una flama de ningún tipo para verificar si hay fugas de gas.

PRECAUCIÓN!

Cuando conecte la unidad a gas propano, asegúrese que el tanque de gas propano venga con su propio regulador de alta presión además del regulador de presión que se incluye con la estufa. La presión de gas suministrada a este aparato no debe exceder 14.0 pulgadas de columna de agua (34.9 mb).

PRECAUCIÓN!

El aparato debe estar aislado del sistema de tubería de suministro de gas cerrando la válvula manual de cierre durante cualquier prueba de presión de la línea de suministro de gas a presiones de prueba igual a o inferior que 1/2 psig (3.5kPa.).

Se deben desconectar el aparato y su válvula individual de cierre del sistema de suministro de gas durante cualquier prueba de presión del sistema a presiones arriba de 1/2 psig (3.5kPa.).

Cuando verifique la presión de gas del manifold, la presión de entrada al regulador debe ser al menos 6.0" (14.9 mb) columna de agua para gas natural o 11.0" (27.4 mb) para gas propano.

No trate de ajustar el regulador de presión.

Paso 5: Requerimientos eléctricos, conexión y puesta a tierra

MODELO TIPO	VOLTAJE	CIRCUITO CLASIFICACIÓN	FRECUENCIA	FASE
30"	120 VCA	10 A	60 Hz	monofásico
36"	120 VCA	10 A	60 Hz	monofásico
36" con plancha	120 VCA	15 A	60 Hz	monofásico
36" con parrilla	120 VCA	15 A	60 Hz	monofásico
48" con plancha	120 VCA	15 A	60 Hz	monofásico
48" con parrilla	120 VCA	15 A	60 Hz	monofásico

Tabla 1: Requisitos del circuito de alimentación eléctrica

- Antes de instalar, apague el panel de servicio. Trabe el panel de servicio para prevenir el encendido accidental. Antes de dar servicio al aparato, siempre desconecte el aparato de la alimentación eléctrica, ya sea desenchufando el cable de alimentación o apagando el interruptor.

⚠ ADVERTENCIA!



Desconecte la corriente antes de la instalación. Antes de Prender (ON) la corriente, asegúrese que todos los controles estén en la posición Apagado (OFF).

- Antes de conectar un cable de corriente, asegúrese de que todos los interruptores estén en posición de APAGADO.
- Se deben enchufar todos los modelos con parrilla de 120 Volts en una tomacorriente correspondiente a 3 clavijas, conectada a tierra física. La tomacorriente debe estar conectada a un a fuente de alimentación n correctamente aterrizada y polarizada en un circuito de 120VAC, monofásico, 60HZ (vea *Figure 11*).

⚠ PRECAUCIÓN!

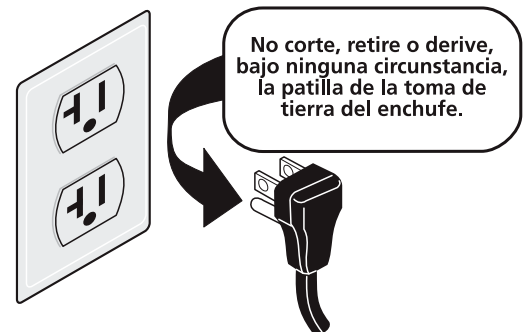
Un aterrizaje o polarización incorrecta causará un mal funcionamiento (como chispas continuas de los encendedores). Esto puede dañar el aparato y crear el riesgo de una descarga eléctrica. Si el circuito no está correctamente aterrizado y polarizado, es la responsabilidad y obligación del instalador y usuario cambiar la tomacorriente existente a una tomacorriente correctamente aterrizada y polarizada. Un eléctrico calificado debe hacerlo conforme a todos los códigos y regulaciones locales que aplican. A falta de códigos y regulaciones locales, la tomacorriente debe quedar conforme al Código Eléctrico Nacional (Vea *Figure 11*).

- Observe todos los códigos y regulaciones durante la puesta a tierra. A falta de estos códigos y regulaciones, observe el Código Eléctrico Nacional ANSI/NFPA No. 70 edición actual. Vea *Figure 11* para el método recomendado de la puesta a tierra.
- No corte, retire o derive, bajo ninguna circunstancia, la patilla de la toma de tierra del enchufe.
- En la parte inferior del bastidor de la parrilla se encuentra un diagrama eléctrico para información de un técnico de servicio calificado. No quite esta información importante.
- **Instalador** - muestre al propietario la localización del interruptor de circuito o fusible. Márquelo para referencia fácil.

Método de puesta a tierra

La parrilla viene de fábrica con un cable de alimentación eléctrica con un enchufe de tres clavijas (con patas paralelas polarizadas).

⚠ PRECAUCIÓN Este producto debe ser debidamente conectado a una toma de tierra.



NOTA: El tipo de tomacorriente puede variar.

Figura 11: Método recomendado para la puesta a tierra para modelos de 120 VAC

Paso 6: Instalación de la consola trasera de protección

NÚMEROS DE MODELO PARA CONSOLA TRASERA BAJA Y MOLDURA TIPO ISLA

Tamaño/Tipo de Parrilla	Consola Baja de 12"	Moldura Tipo Isla*
30"	PA30GLBC	Se incluye con la placa
36"	PA36GLBC	
48"	PA48GLBC	

Cuando se utiliza el adorno de isla THERMADOR, hace falta un espacio libre trasero mínimo de 12 pulg. (305 mm) entre el aparato y la superficie combustible (vea la *Figura 1, Espacios libres para los armarios*). Los espacios libres para las materias no combustibles no forman parte de la norma ANSI Z21.1 y no están certificados por la CSA. Los códigos locales o la autoridad local competente deben aprobar los espacios libres de menos de 12 pulg. (305 mm).

Instale la consola trasera de protección antes de deslizar la parrilla a su posición final. Siga los Pasos A hasta C abajo:

- Según el modelo, quite los tres o cuatro tornillos de acero inoxidable proporcionadas con la moldura para isla. Quite los dos tornillos que sujetan la pieza al panel trasero. Levante la moldura para isla para quitarla (A, *Figura 12*).
- Deslice los soportes entre los dos paneles traseros de los armazones de las estufas. Fije cada soporte con cuatro tornillos de 1½ pulg. (38 mm) (B, *Figura 12*).
- Deslice la consola trasera sobre los dos soportes de la parte trasera de la estufa. Fíjela con ocho tornillos de 1-½ pulg. (38 mm) (C, *Figura 12*).
- Fije la parte delantera de la consola trasera a la estufa con tres o cuatro tornillos e ½ pulg. (12,7 mm) (D, *Figura 12*).
- Coloque la tapa de la consola trasera en la parte superior y fíjela con dos tornillos de ½ pulg. (12,7 mm) (E, *Figura 12*).

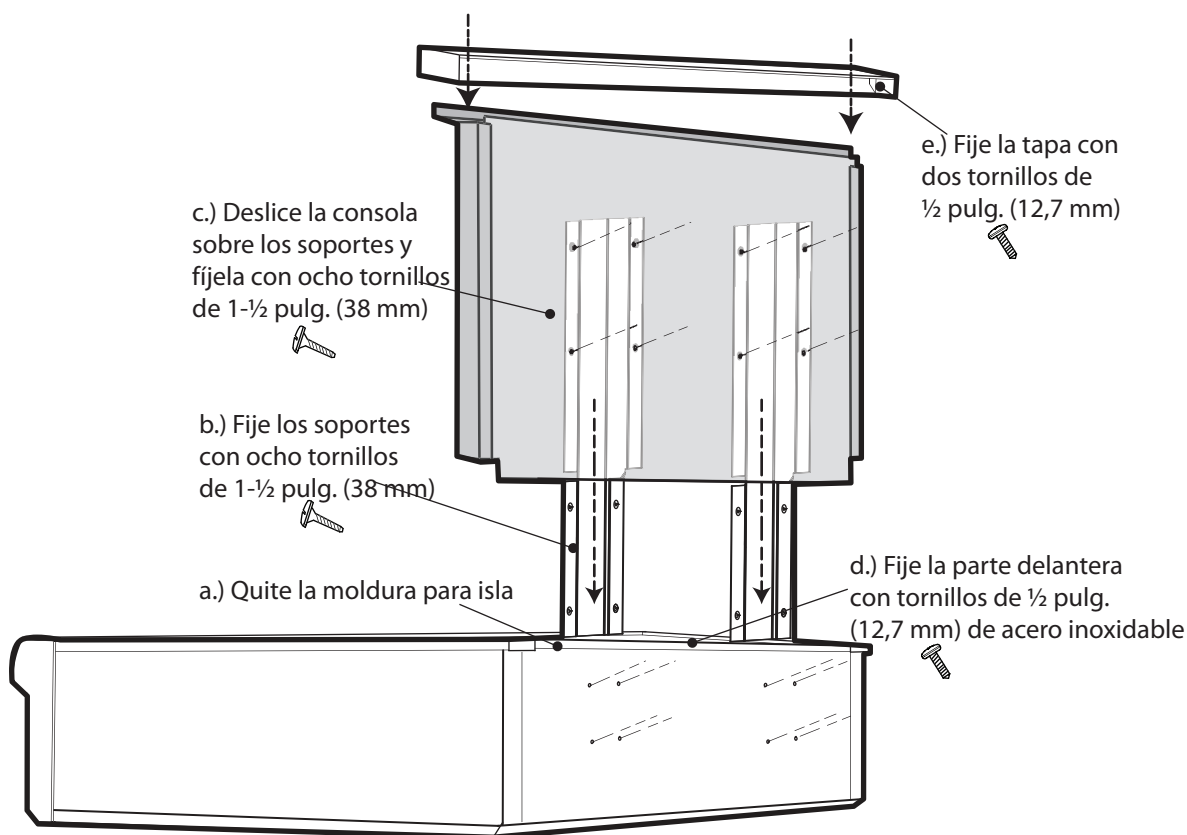


Figura 12: La consola trasera baja

Paso 7: Probar el Quemador

Instala cualquier componente flojo, como casquillos de quemador y rejillas, que se pudieron haber quitado con anterioridad.

Asegúrese que los casquillos de quemador asienten apropiadamente en sus bases de quemador. Antes de probar la operación de la unidad, verificar que se ha comprobado cuidadosamente la unidad y la fuente de gas para saber si hay fugas y que la unidad haya sido conectada con la fuente de la corriente eléctrica. Dar vuelta a la válvula de cierre manual del gas a la posición abierta.

Probar los quemadores de la estufa

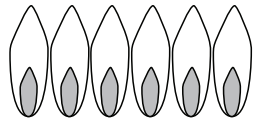
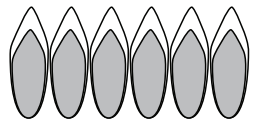
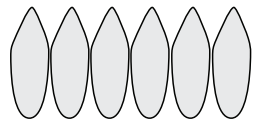
Probar la ignición de quemadores. Seleccione una perilla de un quemador de la estufa. Presiónela y gírela al símbolo de la llama. El ignitor módulo de chispas producirá un sonido de un clic (chasquido). Una vez que se haya purgado el aire de las líneas de suministro, el quemador debe encenderse dentro de cuatro (4) segundos.

Probar la llama: Calor alto. Cambie el quemador a **HI (Alto)**. Vea la *Figure 13* para las características apropiadas de las llamas. Si alguno de los quemadores de la estufa sigue quemándose con un color amarillo, llame al Servicio de THERMADOR.

Probar la llama: Calor bajo. Cambie el quemador a **LO (Bajo)**. Verifique que la llama envuelva completamente el quemador. Debe haber una llama en el puerto de cada quemador y no debe haber un espacio de aire entre la llama y el quemador. Si alguno de los quemadores no queda completamente envuelto, llame al Servicio de THERMADOR.

Los dos quemadores de la parrilla de estufa en el lado izquierdo cuentan con la característica XLO, causando que se haga un ciclo de encendido y apagado en la flama cuando la perilla está en la posición XLO. Esta es una operación normal.

Repita los procedimientos de prueba de Encendido y Flama, descritos anteriormente para cada quemador superior de la estufa.

Flama amarilla: Se requiere más ajuste.	
Puntas amarillas sobre conos: Normal para Gas LP.	
Flama azul suave: Normal para Gas Natural.	

Si la flama es casi o completamente amarilla, verifique que el regulador está establecido para el combustible correcto. Posterior al ajuste, vuelva a probar.

Se pueden producir algunas rayas anaranjadas en el encendido inicial.

Permita que la unidad trabaje durante 4-5 minutos y vuelva a evaluar antes de realizar ajustes.

Figura 13: Características de las llamas

Llame a THERMADOR si:

1. Algún quemador no se enciende.
2. Algún quemador sigue quemándose con color amarillo.

Lista de chequeo de instalador

Lista de chequeo final

- Parrilla posicionada y fijada correctamente en el recorte de la cubierta.
- Se observaron los espacios libres especificados a las superficies de los gabinetes.
- Tapas de quemador es correctamente colocadas sobre las bases.
- Se quitó todo el material de empaque.
- Instalar la moldura tipo isla o la consola de protección unido según instrucciones.
- Se colocó correctamente la bandeja de la plancha, inclinada ligeramente hacia adelante. (See "Ajuste de inclinación de la plancha" on page 10.)

Suministro de gas

- Conexión: 1/2" NPT con una manguera flexible con diámetro mínimo de 1/2".
- Si está convirtiendo de gas natural a LP, para mayores detalles, refiérase a las Instrucciones de Conversión a LP.
- Se instaló la válvula de cierre manual de gas en un lugar accesible (sin tener que mover la parrilla).
- Se comprobó la unidad y no tiene fugas de gas.

Sistema eléctrico

- Para los modelos con plancha eléctrica se incluye un receptáculo polarizado y aterrizado de 120VAC con protección con otra sobrecorriente de 15 AMP para la conexión del cable de servicio.

Funcionamiento

- Se quitaron todos los material es internos de empaque. Se revisó debajo de las rejillas y bandejas del asador.
- Las tapas de los quemadores están correctamente asentados en sus bases.
- Depura el aire del sistema de gas haciendo funcionar uno de los quemadores durante varios minutos.
- Cada quemador prende bien, tanto en forma individual como junto con otros quemadores operando.
- Las rejillas de los quemadores tienen que estar posicionadas correctamente.

Instalador

- Escriba el número de modelo y el número de serie (lea la "Placa técnica" de la página 1 para saber donde se sitúa. Deje el MANUAL DE USO Y MANTENIMIENTO y las INSTRUCCIONES DE INSTALACIÓN al dueño del aparato.

Para limpiar y proteger las superficies exteriores

- Después de cada limpieza enjuague bien con agua limpia. Seque con un trapo limpio suave para evitarlas manchas de agua. Para decoloraciones o depósitos persistentes, utilice un detergente casero no abrasivo o un polvo de pulido para acero inoxidable con un poco de agua y un trapo suave. Para casos muy persistentes, use un estropajo de plástico o un cepillo de dientes suaves junto con el detergente y agua. Frote ligeramente en dirección de las líneas de pulido o "grano" del acabado de acero. Evite demasiada presión para no dañar la supercie.
- Use un detergente/pomada para acero inoxidable para proteger el acabado y mantener la apariencia.
- **NO** permita que suciedades permanezcan por períodos largos de tiempo.
- **NO** use bra metálica normal o cepillos metálicos. Se pueden pegar pedazos pequeños de metal a la supercie causando que ésta se oxide.
- **NO** permita que soluciones salinas, desinfectantes, blanqueadores o compuestos de detergentes tengan contacto prolongado con el acero inoxidable. Muchos de estos compuestos contienen químicos dañinos. Enjuague con agua después de cada exposición y seque con un trapo limpio.

Resolución de problemas

Para obtener información sobre resolución de problemas, consulte la Guía de uso y cuidado.

THERMADOR® Service/Entretien/Mantenimiento

Service

We realize that you have made a considerable investment in your kitchen. We are dedicated to supporting you and your appliance so that you have many years of creative cooking.

Please don't hesitate to contact our excellent STAR™ Customer Support Department if you have any questions or in the unlikely event that your THERMADOR® appliance needs service. Our service team is ready to assist you.

USA:
800-735-4328
www.thermador.com/support

Canada:
800-735-4328
www.thermador.ca

Parts & Accessories

Parts, filters, descalers, stainless steel cleaners and more can be purchased in the THERMADOR eShop or by phone.

USA:
www.thermador-eshop.com

Canada:
Marcone 800-287-1627
or
Reliable Parts 800-663-6060

Entretien

Nous savons bien que vous avez investi une somme considérable dans votre cuisine. Nous nous faisons un devoir de vous soutenir pour que vous puissiez profiter pleinement d'une cuisine où vous pourrez exprimer toute votre créativité de nombreuses années durant.

N'hésitez pas à communiquer avec l'un des membres chevronnés de notre équipe de soutien au client si vous avez des questions ou dans le cas plutôt improbable où votre appareil THERMADOR^{MC} aurait besoin d'entretien. Notre équipe sera prête à vous aider.

É.-U. :
800-735-4328
www.thermador.com/support

Canada:
800-735-4328
www.thermador.ca

Pièces et Accessoires

Vous pouvez vous procurer par téléphone ou à notre boutique THERMADOR en ligne des pièces, des filtres, des produits nettoyants pour acier inoxydable et plus encore.

É.-U. :
www.thermador-eshop.com

Canada:
Marcone 800-287-1627
or
Reliable Parts 800-663-6060

Mantenimiento

Nos damos cuenta que Usted invirtió una suma considerable en su cocina. Nos dedicamos a atenderle para que pueda sacar provecho de una cocina donde podrá expresar toda su creatividad durante muchos años.

Por favor, no dude en ponerse en contacto con uno de nuestros empleados ESTRELLAS™ de atención al cliente si tiene preguntas o en el caso más bien improbable que su aparato THERMADOR® necesite mantenimiento. Nuestro equipo estará listo para ayudarle.

EEUU:
800-735-4328
www.thermador.com/support

Canadá:
800-735-4328
www.thermador.ca

Piezas y Accesorios

Usted puede comprar piezas, filtros, productos de limpieza para acero inoxidable por teléfono o en nuestra tienda THERMADOR en línea.

EEUU:
www.thermador-eshop.com

Canadá:
Marcone 800-287-1627
or
Reliable Parts 800-663-6060

Thermador 

REAL INNOVATIONS FOR REAL COOKS®

1901 Main Street, Suite 600, Irvine, CA 92614 • 800-735-4328 • www.thermador.com
9000942462 • 5U05MS • Rev. A • © BSH Home Appliances Corporation, 05/14