

USE AND CARE GUIDE



THERMADOR PROFESSIONAL[®] PH SERIES WALL HOODS
CUISINIÈRES À GAZ PROFESSIONAL^{MC} PRO GRAND DE THERMADOR

Thermador[®] [™]
REAL INNOVATIONS FOR REAL COOKS[®]

USE AND CARE GUIDE

THERMADOR PROFESSIONAL® PH SERIES WALL HOODS
HOTTES MURALES DE LA SÉRIE PROFESSIONAL^{mc} PH DE THERMADOR

Models
Modèles
PH30HS
PH36HS
PH48HS
PH36GS
PH42GS
PH48GS
PH54GS

Thermador  TM
REAL INNOVATIONS FOR REAL COOKS®

Congratulations on your recent THERMADOR® purchase! Whether you are a dedicated chef or simply a connoisseur of the art of cooking, owning a THERMADOR kitchen is the ultimate expression of personal style, good taste and an appreciation for the complete culinary experience. Our award-winning products have been empowering culinary enthusiasts for more than eleven decades.

Before you begin using your new THERMADOR product, please take a moment to review the *Use and Care Guide*. You will find the answers to all of your questions as well as some very important safety information. Pay special attention to the **Important Safety Instructions** located at the beginning of the manual. Your THERMADOR product is ready and waiting to be used for your next gourmet creation!

Our products are handcrafted with the highest quality authentic materials to ensure years of reliable service. In the unlikely event that you have a service question, please have your model and serial numbers of your product available. You can find this information located on the side panels of the hood after removing the filters.

We realize that you have made a considerable investment in your kitchen. Please feel free to share your THERMADOR kitchen photos and remodeling stories with us. Follow us on Twitter or post your kitchen photos on Facebook. We would love to hear from you!

THERMADOR wishes you many years of creative cooking.

Félicitations pour votre récent achat THERMADOR^{mc}! Que vous soyez un chef enthousiaste ou un simple connaisseur de l'art culinaire, le fait de posséder une cuisine THERMADOR représente l'expression ultime de votre style personnel, de votre bon goût et de votre intérêt à vivre une expérience culinaire complète. Nos produits primés permettent à des adeptes de la bonne bouffe d'atteindre de nouveaux sommets depuis plus de onze décennies.

Avant de commencer à utiliser votre nouveau produit THERMADOR, veuillez prendre un moment pour examiner ce guide d'utilisation et d'entretien. Vous trouverez des réponses à toutes vos questions ainsi que quelques renseignements essentiels en matière de sécurité. Portez une attention particulière aux **Consignes de sécurité importantes** se trouvant au début du guide. Votre produit THERMADOR est prêt et n'attend plus que vous l'utilisiez pour votre prochaine création gastronomique!

Nos produits sont fabriqués à la main avec des matériaux authentiques de haute qualité afin d'assurer des années de service fiable. Dans l'éventualité improbable où vous auriez une question relativement à l'entretien, veuillez avoir à la portée de la main le numéro de série et de modèle de votre produit. Vous trouverez ces renseignements sur les panneaux latéraux de la hotte, une fois que vous avez enlevé le plateau à graisse.

Nous savons bien que vous avez investi une somme considérable dans votre cuisine. N'hésitez pas à partager avec nous les photos de votre cuisine THERMADOR et les anecdotes relatives au remodelage de votre cuisine. Suivez-nous sur Twitter ou affichez des photos de votre cuisine sur Facebook. Nous serions ravis d'avoir de vos nouvelles!

THERMADOR vous souhaite de nombreuses années de gastronomie créative.

Thermador TM
REAL INNOVATIONS FOR REAL COOKS®

Table of Contents

Introduction	1
Safety	2
Operation	4
Operating the Hood	4
Hood Control Buttons	4
Care and Cleaning	6
To Clean Hood Surface	6
To Clean Filters and Troughs	6
Maintenance and Service	7
Light Replacement	7
Before Calling Customer Service	8
How to Obtain Service	8
How to Find the Model Number	8
Statement Of Limited Product Warranty	9
THERMADOR® Customer Support, Accessories & Parts	back page

This THERMADOR® appliance is made
by BSH Home Appliances Corporation
1901 Main Street, Suite 600
Irvine, CA 92614

Questions?

1-800-735-4328

www.thermador.com

We look forward to hearing from you!

Introduction

Before using your appliance, be sure to read this manual. Pay special attention to the **Important Safety Instructions** located at the beginning of the manual.

This manual provides the proper care and use instructions for two styles of THERMADOR PROFESSIONAL® PH Series wall hoods:

- **PHxxGS** — 27" (686 mm) in depth, with widths of 36" (914 mm), 42" (1067 mm), 48" (1219 mm), and 54" (1372 mm). This model series features brushed stainless-steel canopy with halogen lamps and heat lamps.
- **PHxxHS** — 24" (610 mm) in depth, with widths of 30" (762 mm), 36" (914 mm), and 48" (1219 mm). This model series features brushed stainless-steel canopy with halogen lamps.

All hoods require the choice of a Remote, Inline, or Integral Blower. Use only THERMADOR® blowers with THERMADOR ventilation hoods. All blower models are sold separately. See *Table 1, Blower & Circuit Breaker Ratings* for recommended blowers. Contact Customer Service for additional options.

All Hood models are rated for 120 VAC, using a 15 amp or 20 amp circuit breaker; see the *Installation Manual* for more details.

When connected to a GFCI-protected supply, the Pro Hoods are suitable for use in damp locations that are protected from outside weather conditions and not subject to saturation with water and other liquids, but can be subject to moderate degrees of moisture. Refer to local codes, NEC/CEC, and or the Authority Having Jurisdiction (AHJ) for additional information.

Blower	SKU	CFM	Voltage (AC)	Blower Current (AMPS)	Circuit Breaker (AMPS)
Remote Blower 600 CFM	VTR630D	600	120	4.2	15
Remote Blower 1000 CFM	VTR1030D	1000	120	5.7	15
Remote Blower 1300 CFM	VTR1330E	1300	120	8.5	20* / 15**
Inline Blower 600 CFM	VTI610D	600	120	4.2	15
Inline Blower 1000 CFM	VTI1010D	1000	120	5.7	15
Integral Blower 600 CFM	VTN630C	600	120	2.7	15
Integral Blower 1000 CFM	VTN1030C	1000	120	5.4	15

* 20 Amp circuit breaker required when using the VTR1330E Remote Blower with a 27" Pro Wall Hood.

** 15 Amp circuit breaker required when using the VTR1330E Remote Blower with a 24" Pro Wall Hood.

Table 1: Blower & Circuit Breaker Ratings

Safety



IMPORTANT SAFETY INSTRUCTIONS

READ AND SAVE THESE INSTRUCTIONS

INSTALLER: Please leave this guide with this unit for the owner.

OWNER: Please retain this guide for future reference.



WARNING:

To reduce the risk of fire, electric shock, or injury to persons, observe the following:

- a) Use this unit only in the manner intended by the manufacturer. If you have questions, contact the manufacturer (800-735-4328).
- b) Before servicing or cleaning the unit, switch power off at service panel and lock service panel. This will prevent power from being switched on accidentally. When the service panel cannot be locked, securely fasten a prominent warning device, such as a tag to the service panel.



WARNING:

To reduce the risk of a grease fire:

- a) Never leave surface units unattended at high settings. Boilovers cause smoking and greasy spillovers that may ignite. Heat oils slowly on low or medium settings.
- b) Always turn hood ON when cooking at high heat or when flambéing food (i.e. Crepes Suzette, Cherries Jubilee, Peppercorn Beef Flambe).
- c) Use proper pan size. Always use cookware appropriate for the size of the surface element or gas burner.



WARNING:

To reduce the risk of injury to persons, in the event of a range top grease fire, observe the following:

- Smother flames with a close-fitting lid, cookie sheet, or other metal tray, then turn off the gas burner or the electric element. Be careful to prevent burns. If the flames do not go out immediately, evacuate and call the fire department.
- Never pick up a flaming pan. You may be burned.
- Do not use water, including wet dish cloths or towels, to extinguish flames – a violent steam explosion will result.
- Use an extinguisher **ONLY** if:
 - a) You know you have a class ABC extinguisher and you already know how to operate it.
 - b) The fire is small and contained in the area where it started.
 - c) The fire department is being called.
 - d) You can fight the fire with your back to an exit.



WARNING:

For general ventilating use only. To avoid a fire or explosion hazard, do not use to exhaust hazardous or explosive materials or vapor.

Always have a working smoke detector near the kitchen.

Have an appropriate fire extinguisher available, nearby, highly visible and easily accessible near the cooking appliance.

Smother flames from food fires, other than grease fires, with baking soda. Never use water on cooking fires.

Whenever possible, do not operate the ventilation system during a cooktop fire. However, do not reach through fire to turn it off.



IMPORTANT SAFETY INSTRUCTIONS

READ AND SAVE THESE INSTRUCTIONS



CAUTION:

Grease left on filters can re-melt and move into the vent. Clean ventilating fans frequently. Grease should not be allowed to accumulate on fan, filters or exhaust ducts.



CAUTION:

Do not place flammable material on warming shelves.

When children become old enough to use the appliance, it is the legal responsibility of the parents or legal guardians to ensure that they are instructed in safe practices by qualified persons.

Do not allow anyone to climb, stand, lean, sit, or hang on any part of an appliance, especially a door, warming drawer, or storage drawer. This can damage the appliance and the unit may tip over, potentially causing severe injury.

Do not allow children to use this appliance unless closely supervised by an adult. Children and pets should not be left alone or unattended in the area where the appliance is in use. They should never be allowed to play in its vicinity, whether or not the appliance is in use.



CAUTION:

Items of interest to children should not be stored in an appliance, in cabinets above an appliance, or on the Keep Hot Shelf. Children climbing on an appliance to reach items could be seriously injured.

Have the installer show you the location of the circuit breaker or fuse. Mark it for easy reference.

This appliance must be properly installed and grounded by a qualified technician. Connect only to properly grounded supply. Refer to installation instructions for details.

This appliance is intended for normal family household use only. It is not approved for outdoor use. Use of this product in a commercial setting or if installed outdoors will void the warranty. If you have any questions, contact the manufacturer.

Do not store or use corrosive chemicals, vapors, flammables, or nonfood products in or near this appliance. It is specifically designed for use when heating or cooking food. The use of corrosive chemicals in heating or cleaning will damage the appliance and could result in injury.

Do not operate this appliance if it is not working properly or if it has been damaged. Contact an authorized servicer.

Do not repair or replace any part of the appliance unless specifically recommended in this manual. Refer all servicing to a factory authorized service center.



WARNING:



Halogen lights might be hot. Disconnect from power and allow to cool before servicing.

Operation

Operating the Hood

The blower should be turned on for about 5 minutes before cooking in order to establish air currents upward through the hood. Thus when heat, smoke, moisture, grease and cooking odors are produced, they will be carried outside instead of drifting into other rooms. Use the low speeds for normal use and the higher speeds for strong odors or fumes.

Drafts across the range or cooktop will reduce the effectiveness of the hood. Such drafts should be prevented when possible.

The best job of ventilation in the kitchen is done where the only air currents are those created by the blower itself.

Hood Control Buttons

Hood Control Panel for 27" Depth Models

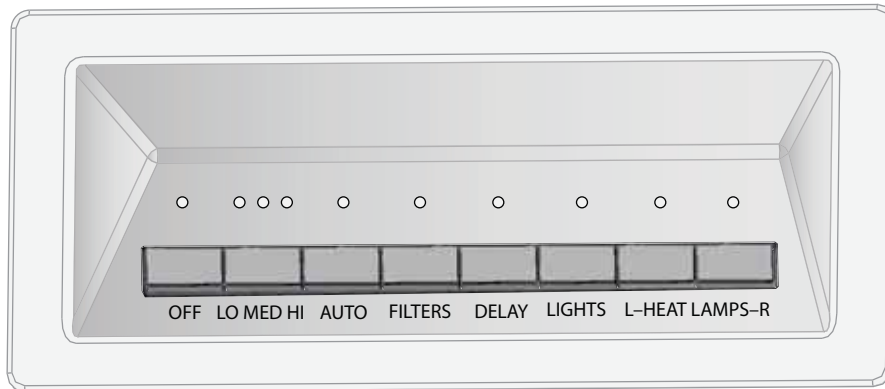


Figure 1: Control Panel for 27" Models

Hood Control Panel for 24" Depth Models (without heat lamps)

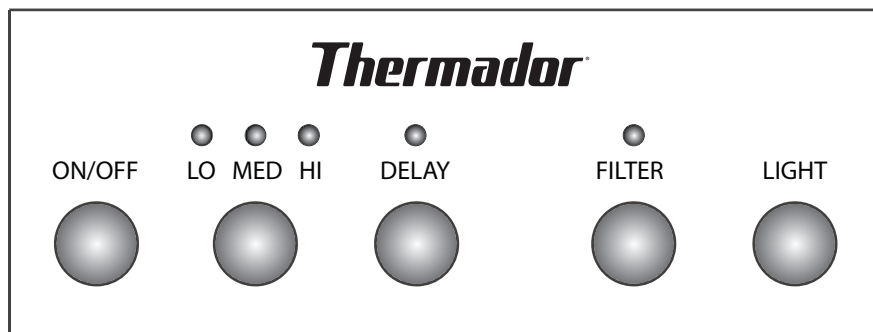


Figure 2: Control Panel for 24" Models

Off

Pressing the button once turns ventilator off and resets the control.

Fan Speed

Pressing the button once, from an “off” state, turns the ventilator on low. Each successive press of the button increases the fan speed until high speed is reached, then the fan cycles back to the low speed.

The LEDs above this button indicate the current fan speed. When the fan is on, the corresponding LED is illuminated.

- 1 — Low
- 2 — Medium
- 3 — High

Auto (only on 27” models)

When in Auto mode, the hood automatically turns the blower on, depending on the amount of heat the control senses. It automatically adjusts every 5 minutes. If the control does not sense a high level of heat, it will turn the blower off.

Delay (shut off)

If the blower is off when the Delay button is pressed, the blower will turn on to the HIGH speed setting for 10 minutes. At the end of the cycle the blower will turn off.

If the blower is on when the Delay button is pressed, the blower runs for 10 minutes at the current speed then turns off.

During the 10 minute timed period, the LED above the Delay button is illuminated.

To interrupt a timed period, press Fan Speed or OFF button.

Clean Filter Reminder

After 40 hours of operation, the LED above the filter button will illuminate indicating that the filters need to be cleaned. When this indicator illuminates, clean the filters as instructed on *page 6*. After cleaning, press this button for 3 seconds to reset the 40-hour period and turn the LED off.

Light On/Dim/Off

This button controls the halogen lighting. The first press turns the lights on. A second press dims the lights. A third press turns the lights off.

Heat Lamp (only on 27” models)

The buttons marked “L” and “R” independently control the left and right infrared heating lamps, turning the lights on or off.

Heat Sensor Protection

Over Temperature Condition

The high temperature sensor protects the hood from high temperatures which may damage components. The control is set to activate at 161°F (72°C) and reset at 140°F (60°C). When activated, the blower will turn on low and the corresponding LED will blink, indicating an over-temperature condition.

While the high temperature sensor is activated, the blower speed can be manually changed or turned off. If the blower is turned off, the corresponding LED will blink. Light controls will remain operational. When the control sensor reaches 140°F (60°C), a reset will occur. During reset, the control will revert back to the operational state prior to the high temperature condition.

High Temperature Fault Condition

If in the uncommon occurrence the Heat Sensor Protection becomes damaged, the three fan speed indicator LEDs will start blinking. All of the controls will continue to be operational except for the indicator LEDs. To reach a service representative, see the contact information at the back page of the manual.

Care and Cleaning

Cleaning

To Clean Hood Surface



WARNING:

Be sure the entire appliance (including the filters and light bulbs) has cooled and grease has solidified before attempting to clean any part of the appliance.

- For general care, wipe the outside of the stainless steel with sudsy water or household cleaners such as Fantastik® or Formula 409®, rinse well and dry with a clean soft cloth to avoid water marks.
- Wipe and dry stainless steel in the same direction as the grain. Avoid using too much pressure, which may mar the surface.
- Do not use abrasive products such as steel wool.
- To remove finger prints and give added shine, use a stainless steel cleaner such as Stainless Steel Magic®, Hadco Stainless Steel Polish, Sprayway® Stainless Steel Polish and Cleaner, or 3M Stainless Steel Cleaner and Polish.
- Do not allow any cleaning compounds to remain in contact with stainless steel for extended periods.

NOTICE:

The use of brand names is intended only to indicate a type of cleaner. This does not constitute an endorsement. The omission of any brand name cleaner does not imply its adequacy or inadequacy. Many products are regional in distribution and can be found in the local markets. It is imperative that all products be used in strict accordance with instructions on the package.

Filter, Filter Spacers, and Grease Tray Cleaning

Your hood has removable aluminum or stainless steel filters, stainless steel grease trays and stainless steel filter spacers. They must be cleaned when the filter light illuminates on the control panel or whenever they collect grease. When used over a grill, wok or other high grease applications, more frequent cleaning may be required.

NOTE:

Do not use cooktop, rangetop, or range while hood is disassembled.

To Remove Filters and Grease Trays:

1. Turn the fan and lights off. Be sure filters are cool and grease has congealed before removal.
2. Remove in the following order:
 - 1) **Filters** — Depending upon the size and model of hood, there will be 2 to 4 filters per hood. Start with center filters, push up, then pull out from the bottom.
 - 2) **Filter Spacers** — Remove these the same way as the filters.
 - 3) **Grease Trays** — lift up and out.
3. Reverse the above directions to reinsert the grease trays, filter spacers and filters.

The rating label and serial number labels are on the hood filter spacers and are visible after the filters have been removed.

The filters and grease trays can be washed by hand or in the dishwasher. The front and side panels may be washed with warm soapy water and polished with stainless steel cleaner.

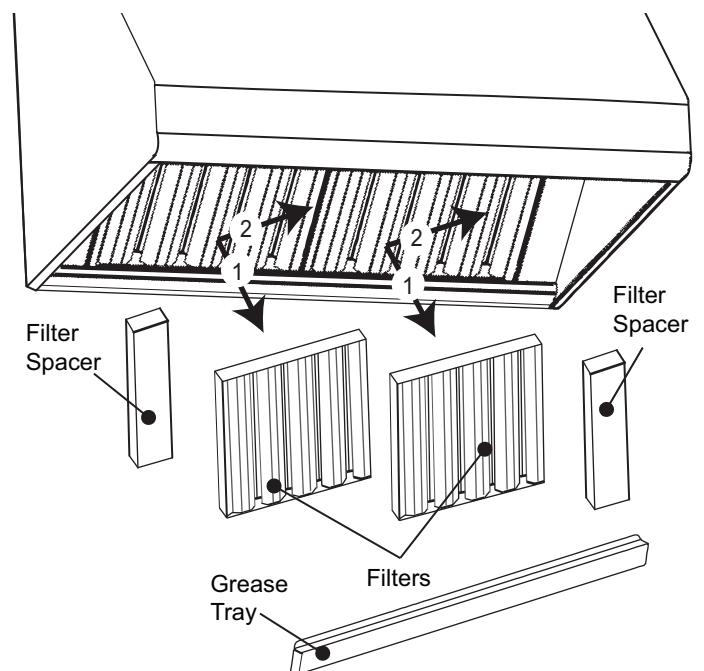


Figure 3: The hood and parts

Maintenance and Service

Maintenance



WARNING:

- Make sure the appliance and the lights are cool and power to the appliance has been turned off before replacing the light bulb(s). Failure to do so could result in electrical shock or burns.
- The lenses must be in place when using the appliance.
- The lenses serve to protect the light bulb from breaking.
- The lenses are made of glass. Handle carefully to avoid breaking. Broken glass can cause an injury.

Halogen Lights

Turn off the lights and blower. Allow the lights to cool before handling. If new lights do not operate, be sure lights are inserted correctly before calling for service.

Halogen Light Replacement

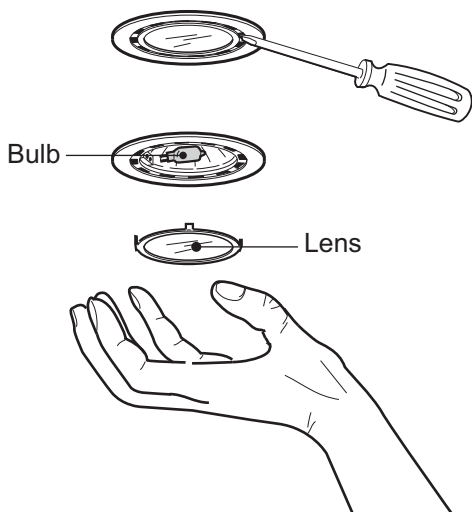


Figure 4: Halogen Light Replacement

1. Using a flat edge from a screwdriver or equivalent tool, pry loose the lens cover, as shown in *Figure 4*.
2. Pull damaged bulb straight out from the socket to remove.

3. Replace with a new 120 V, 40W (maximum) bulb with G-9 base. Press pins in bulb base straight into socket until fully seated. Follow package directions and do not touch new light with bare hands, the oils from your skin can reduce the longevity of the bulb.
4. Reinstall the light and cover.

Heat Lamps(27" models)

Turn off the heat lamps and blower. Allow the heat lamps to cool before handling. If new heat lamps do not operate, be sure lamps are inserted correctly before calling for service.

Heat Lamp Replacement

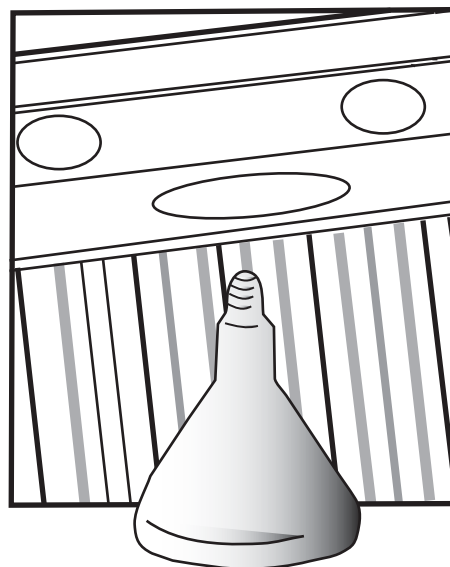


Figure 5: Heat Lamp Replacement

1. Turn heat lamp counterclockwise to remove.
2. Replace lamp with either a PAR-38 175W heat lamp or a PAR-40 250W heat lamp.

The PAR-38 175W heat lamp provides a tighter seal within the enclosure and produces the same amount of effective heat with lower energy consumption. These lamps may not be readily available at local retail outlets. The PAR-40 250W heat lamp is more widely available. It can be used instead.

PAR-38 175W heat lamps can be purchased through the following retailers:

- OpTech Inc: 800-848-6624 or www.optechlightbulbs.com
- bulbs.com: 888-455-2800 or www.bulbs.com

Service

Before Calling Customer Service

Use the suggestions in the table below before calling for service to avoid service charges.

Problem	Suggested Solution
Noise during operation	Some noise is normal do to vibration and air movement. Excessive noise could indicate one of the following: a) ductwork is too small / undersized b) ductwork is too large / oversized c) ductwork is loose d) transition is too small or is loose e) wood screws are not fully tightened f) loose screws in trim parts, etc. Check <i>Installation Manual</i> to verify that ductwork is the proper size. Tighten screws.
Noise when unit is off	Backflow flap on outside of duct wall cap moves with the wind. This is normal.
Fan blower does not work	a) Power supply is insufficient. b) Electrical wiring is incorrectly connected. See <i>Installation Manual</i> for further information.
Lights hum	A slight hum is normal.
Hood trips breaker	a) Electrical wiring is incorrectly connected. b) Circuit is not sufficient. See <i>Installation Manual</i> for further information.

Table 2: Troubleshooting

How to Obtain Service or Parts

We want you to remain a satisfied customer. If a problem comes up that cannot be resolved to your satisfaction please let us know.

To reach a service representative, see the contact information at the back page of the manual. Whether you write or call, please provide us with the Model Number, Serial Number and Date of Original Purchase or Installation.

How to Find the Model Number

The Data Rating Plate shows the Model and Serial Numbers. Please provide this information when requesting service. The Data Rating Plate is located on the frame behind the filter spacer. Remove the filter spacer to view it.

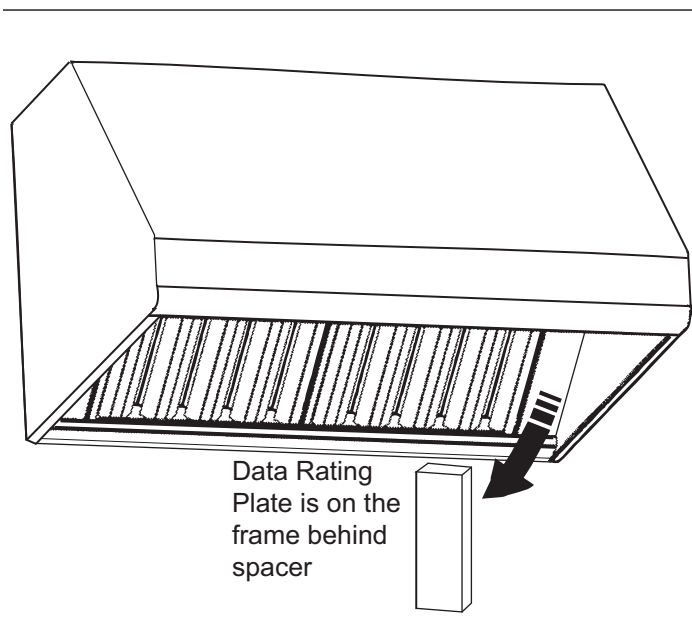


Figure 6: Data Rating Plate Location

Statement of Limited Product Warranty

What this Warranty Covers & Who it Applies to

The limited warranty provided by BSH Home Appliances (BSH) in this Statement of Limited Product Warranty applies only to the BSH appliance sold to you, the first using purchaser, provided that the Product was purchased:

- For your normal, household (non-commercial) use, and has in fact at all times only been used for normal household purposes.
- New at retail (not a display, “as is”, or previously returned model), and not for resale, or commercial use.
- Within the United States or Canada, and has at all times remained within the country of original purchase.

The warranties stated herein apply only to the first purchaser of the Product and are not transferable.

Please make sure to return your registration card; while not necessary to effectuate warranty coverage, it is the best way for BSH to notify you in the unlikely event of a safety notice or product recall.

How to Obtain Service

For authorized service or parts information, call the number or write to the address listed inside the back cover.

How Long the Warranty Lasts

BSH warrants that the Product is free from defects in materials and workmanship for a period of seven-hundred and thirty (730) days from the date of purchase. The foregoing timeline begins to run upon the date of purchase, and shall not be stalled, tolled, extended, or suspended, for any reason whatsoever.

Repair/Replace as Your Exclusive Remedy

During this warranty period, BSH or one of its authorized service providers will repair your Product without charge to you (subject to certain limitations stated herein) if your Product proves to have been manufactured with a defect in materials or workmanship. If reasonable attempts to repair the Product have been made without success, then BSH will replace your Product (upgraded models may be available to you, in the sole discretion of BSH, for an additional charge). All removed parts and components shall become the property of BSH at its sole option. All replaced and/or repaired parts shall assume the identity of the original part for purposes of this warranty and this warranty shall not be extended with respect to such parts. The sole liability and responsibility hereunder is to repair

manufacturer-defective Product only, using a an authorized service provider of BSH during normal business hours. For safety and property damage concerns, BSH highly recommends that you do not attempt to repair the Product yourself, or use an un-authorized servicer; BSH will have no responsibility or liability for repairs or work performed by a non-authorized servicer. If you choose to have someone other than an authorized service provider work on your Product, **THIS WARRANTY WILL AUTOMATICALLY BECOME NULL AND VOID.** Authorized service providers are those persons or companies that have been specially trained on BSH products, and who possess, in BSH's opinion, a superior reputation for customer service and technical ability (note that they are independent entities and are not agents, partners, affiliates or representatives of BSH). Notwithstanding the foregoing, BSH will not incur any liability, or have responsibility, for the Product if it is located in a remote area (more than 100 miles from an authorized service provider) or is reasonably inaccessible, hazardous, threatening, or treacherous locale, surroundings, or environment; in any such event, if you request, BSH would still pay for labor and parts and ship the parts to the nearest authorized service provider, but you would still be fully liable and responsible for any travel time or other special charges by the service company, assuming they agree to make the service call.

Out of Warranty Product

BSH is under no obligation, at law or otherwise, to provide you with any concessions, including repairs, pro-rates, or Product replacement, once this warranty has expired.

Warranty Exclusions

The warranty coverage described herein excludes all defects or damage that are not the direct fault of BSH, including without limitation, one or more of the following:

- Use of the Product in anything other than its normal, customary and intended manner (including without limitation, any form of commercial use, use or storage of an indoor product outdoors, use of the Product in conjunction with air or water-going vessels).
- Any party's willful misconduct, negligence, misuse, abuse, accidents, neglect, improper operation, failure to maintain, improper or negligent installation, tampering, failure to follow operating instructions, mishandling, unauthorized service (including self-performed “fixing” or exploration of the appliance's internal workings).
- Adjustment, alteration or modification of any kind.

- A failure to comply with any applicable state, local, city, or county electrical, plumbing and/or building codes, regulations, or laws, including failure to install the product in strict conformity with local fire and building codes and regulations.
- Ordinary wear and tear, spills of food, liquid, grease accumulations, or other substances that accumulate on, in, or around the Product.
- Any external, elemental and/or environmental forces and factors, including without limitation, rain, wind, sand, floods, fires, mud slides, freezing temperatures, excessive moisture or extended exposure to humidity, lightning, power surges, structural failures surrounding the appliance, and acts of God.

In no event shall BSH have any liability or responsibility whatsoever for damage to surrounding property, including cabinetry, floors, ceilings, and other structures or objects around the Product. Also excluded from this warranty are scratches, nicks, minor dents, and cosmetic damages on external surfaces and exposed parts; Products on which the serial numbers have been altered, defaced, or removed; service visits to teach you how to use the Product, or visits where there is nothing wrong with the Product; correction of installation problems (you are solely responsible for any structure and setting for the Product, including all electrical, plumbing or other connecting facilities, for proper foundation/flooring, and for any alterations including without limitation cabinetry, walls, floors, shelving, etc.); and resetting of breakers or fuses.

TO THE EXTENT ALLOWED BY LAW, THIS WARRANTY SETS OUT YOUR EXCLUSIVE REMEDIES WITH RESPECT TO PRODUCT, WHETHER THE CLAIM ARISES IN CONTRACT OR TORT (INCLUDING STRICT LIABILITY, OR NEGLIGENCE) OR OTHERWISE. THIS WARRANTY IS IN LIEU OF ALL OTHER WARRANTIES, WHETHER EXPRESS OR IMPLIED. ANY WARRANTY IMPLIED BY LAW, WHETHER FOR MERCHANTABILITY OR FITNESS FOR A PARTICULAR PURPOSE, OR OTHERWISE, SHALL BE EFFECTIVE ONLY FOR THE PERIOD THAT THIS EXPRESS LIMITED WARRANTY IS EFFECTIVE.

IN NO EVENT WILL THE MANUFACTURER BE LIABLE FOR CONSEQUENTIAL, SPECIAL, INCIDENTAL, INDIRECT, "BUSINESS LOSS", AND/OR PUNITIVE DAMAGES, LOSSES, OR EXPENSES, INCLUDING WITHOUT LIMITATION TIME AWAY FROM WORK, HOTELS AND/OR RESTAURANT MEALS, REMODELLING EXPENSES IN EXCESS OF DIRECT DAMAGES WHICH ARE DEFINITELY CAUSED EXCLUSIVELY BY BSH, OR OTHERWISE. SOME STATES DO NOT ALLOW THE EXCLUSION OR LIMITATION OF INCIDENTAL OR CONSEQUENTIAL DAMAGES, AND SOME STATES DO NOT ALLOW LIMITATIONS ON HOW LONG AN IMPLIED WARRANTY LASTS, SO THE ABOVE LIMITATIONS MAY NOT APPLY TO YOU. THIS WARRANTY GIVES YOU SPECIFIC LEGAL RIGHTS, AND YOU MAY ALSO HAVE OTHER RIGHTS WHICH VARY FROM STATE TO STATE.

No attempt to alter, modify or amend this warranty shall be effective unless authorized in writing by an officer of BSH.

Product Registration

Register your BSH product to ensure timely service and access to your product related information. You may register your product through one of the following ways:

1. Mail in the completed THERMADOR® Product Registration card.
2. Register your product online at www.thermador.com
3. Call us at THERMADOR customer service at 1-800-735-4328.

Table des matières

Introduction	1
Sécurité	2
Fonctionnement	4
Fonctionnement de la hotte	4
Boutons de commande de la hotte	4
Entretien et nettoyage	6
Nettoyage de la surface de la hotte	6
Nettoyage des filtres et du plateau à graisse	6
Entretien et service	7
Lumières	7
Avant d'appeler pour du service	8
Comment obtenir du service ou des pièces	8
Plaque signalétique du produit	8
Énoncé de la garantie limitée du produit	9
THERMADOR^{mc} entretien, pièces et accessoires	page verso

Cet appareil électroménager de
THERMADOR^{mc} est fait par
BSH Home Appliances Ltd.
6696 Financial Drive, Unit 3
Mississauga, ON L5N 7J6

Questions?

1-800-735-4328

www.thermador.ca

Nous attendons de vos nouvelles!

Introduction

Avant d'utiliser votre appareil, assurez-vous de lire ce guide. Portez une attention particulière aux **Consignes de sécurité importantes** se trouvant au début du guide.

Ce manuel fournit des instructions adéquates d'entretien et d'utilisation de deux types de hottes murales PROFESSIONAL^{mc} de THERMADOR :

- **PHxxGS** — 27 po (686 mm) de profondeur, largeurs de 36 po (914 mm), 42 po (1067 mm), 48 po (1219 mm) et 54 po (1372 mm). Les modèles de cette série se caractérisent par leur pavillon en acier inoxydable brossé, des lampes halogènes et des lampes infrarouges.
- **PHxxHS** — 24 po (610 mm) de profondeur, largeurs de 30 po (762 mm), 36 po (914 mm) et 48 po (1219 mm). Les modèles de cette série se caractérisent par leur pavillon en acier inoxydable brossé et des lampes halogènes.

Toutes les hottes doivent être installées avec un ventilateur à distance, un ventilateur de conduit ou un ventilateur intégré. N'utilisez que les ventilateurs THERMADOR^{mc} avec les hottes THERMADOR. Tous les modèles de ventilateur sont vendus séparément. Consultez le *Tableau 1*, – caractéristiques assignées du ventilateur et du disjoncteur – pour connaître les modèles de ventilateurs recommandés. Communiquez avec le service à la clientèle pour d'autres options.

Tous les modèles de hottes sont de régime 120 VCA et doivent être branchés à un disjoncteur de 15 ou 20 ampères. Consultez le *Manuel d'Installation* pour plus de détails.

Lorsqu'elles sont protégées par un disjoncteur de fuite à la terre, les hottes Pro peuvent être utilisées dans des endroits humides à l'abri des conditions météorologiques extérieures et de saturations par de l'eau et d'autres liquides, quoiqu'elles puissent être soumises à un certain degré d'humidité. Consultez les codes locaux, le Code national de l'électricité/Code canadien de l'électricité, et l'autorité compétente pour obtenir de plus amples renseignements.

Ventilateur	No d'article	pi ³ /min	Tension (CA)	Courant du ventilateur (ampères)	Disjoncteur (ampères)
Ventilateur à distance 600 pi ³ /min	VTR630D	600	120	4.2	15
Ventilateur à distance 1000 pi ³ /min	VTR1030D	1000	120	5.7	15
Ventilateur à distance 1300 pi ³ /min	VTR1330E	1300	120	8.5	20* / 15**
Ventilateur de conduit 600 pi ³ /min	VTI610D	600	120	4.2	15
Ventilateur de conduit 1000 pi ³ /min	VTI1010D	1000	120	5.7	15
Ventilateur intégré 600 pi ³ /min	VTN630C	600	120	2.7	15
Ventilateur intégré 1000 pi ³ /min	VTN1030C	1000	120	5.4	15

* Disjoncteur de 20 ampères requis lors de l'utilisation d'un ventilateur à distance VTR1330E avec une hotte Pro Wall de 27 po.

** Disjoncteur de 15 ampères requis lors de l'utilisation d'un ventilateur à distance VTR1330E avec une hotte Pro Wall de 24 po.

Tableau 1: Caractéristiques assignées du ventilateur et du disjoncteur

Consignes de Sécurité



CONSIGNES DE SÉCURITÉ IMPORTANTES

LISEZ ET CONSERVEZ CES INSTRUCTIONS

PROPRIÉTAIRE : Veuillez conserver ces instructions pour consultation ultérieure.

INSTALLATEUR : Veuillez laisser ces instructions d'installation avec l'appareil pour le propriétaire.



AVERTISSEMENT :

Pour réduire les risques d'incendie, de décharge électrique ou de blessure, respectez ces consignes :

- N'utilisez cet appareil que de la manière prévue par le fabricant. Si vous avez des questions, communiquez avec le fabricant (800-735-4328).
- Avant de procéder au nettoyage ou à l'entretien de l'appareil, éteignez l'alimentation du panneau électrique et bloquez le dispositif de déconnexion pour éviter que l'alimentation électrique ne soit accidentellement rallumée. Si le dispositif de sectionnement d'électricité ne peut être bloqué, attachez un avertissement (comme une étiquette) bien en vue sur le tableau électrique.



AVERTISSEMENT :

Pour réduire les risques de feu de friture :

- Ne laissez jamais l'appareil sans surveillance lors de son utilisation à haute température. Les débordements par bouillonnement causent de la fumée et des déversements de graisse qui peuvent prendre feu. Faites chauffer l'huile à des températures basses ou moyennes.
- Allumez toujours la hotte lorsque vous cuisinez à haute température ou que vous faites flamber des aliments (c.-à-d. crêpes Suzette, cerises jubilé, bœuf flambé au poivre).
- Utilisez des poêlons aux dimensions adéquates. Utilisez toujours une batterie de cuisine correspondant aux dimensions de l'élément ou du brûleur.



AVERTISSEMENT :

Pour réduire les risques de blessure lors d'un incendie sur la surface de cuisson, observez les consignes suivantes :

- Éteignez les flammes avec un couvercle, une plaque à biscuits ou un plateau de métal et éteignez ensuite le brûleur. Faites attention pour ne pas vous brûler. Si les flammes ne disparaissent pas immédiatement, évacuez les lieux et appelez le service d'incendie.
- Ne prenez jamais un poêlon en feu – vous pourriez vous brûler.
- N'utilisez pas d'eau ou un linge à vaisselle mouillé pour éteindre des flammes – une violente explosion de vapeur s'ensuivra.
- Utilisez un extincteur seulement si :
 - Vous savez que vous possédez un extincteur de classe ABC et vous savez vous en servir.
 - Le feu est faible et ne s'est pas répandu depuis son point d'origine.
 - Vous avez appelé le service d'incendie.
 - Vous pouvez sortir facilement de l'endroit où vous combattez le feu.



AVERTISSEMENT :

Pour ventilation générale seulement. Pour éviter tout risque d'incendie ou d'explosion, n'utilisez pas cet appareil pour évacuer des vapeurs et des matériaux explosifs ou dangereux.

Assurez-vous qu'il y a un détecteur de fumée fonctionnel près de la cuisine.

Ayez un extincteur approprié à portée de la main, visible et facile d'accès, tout près de l'appareil de cuisson.



CONSIGNES DE SÉCURITÉ IMPORTANTES

LISEZ ET CONSERVEZ CES INSTRUCTIONS

N'utilisez jamais de l'eau pour éteindre des aliments en feu. Éteignez les flammes avec des extincteurs à poudre sèche ou à mousse.

Si vos vêtements ou vos cheveux prennent feu, jetez-vous immédiatement par terre et roulez pour éteindre les flammes.

Dans la mesure du possible, ne faites pas fonctionner le système de ventilation lorsqu'il y a un feu sur la surface de cuisson. Cependant, ne tentez pas de l'éteindre en passant votre main dans le feu.



ATTENTION :

La graisse qui s'accumule sur les filtres peut fondre et se déplacer dans les conduits d'aération. Nettoyez fréquemment les ventilateurs. Ne laissez pas la graisse s'accumuler sur le ventilateur, les filtres et les conduits d'aération.

Lorsque les enfants sont assez âgés pour utiliser l'appareil, il est de la responsabilité légale des parents ou des tuteurs de veiller à ce que des personnes qualifiées leur enseignent des pratiques sécuritaires.

Ne laissez personne monter, s'asseoir ou s'appuyer sur une partie quelconque de l'appareil, car cela pourrait endommager l'appareil, qui pourrait basculer et provoquer de graves blessures.

Ne laissez pas d'enfants utiliser cet appareil à moins qu'un adulte exerce une surveillance étroite. Ne laissez pas d'enfants ou d'animaux seuls ou sans surveillance dans une pièce où des appareils fonctionnent. Ils ne devraient pas être autorisés à jouer près de l'appareil, qu'il soit en cours d'utilisation ou non.



ATTENTION :

Ne rangez pas d'objets attirant l'attention d'enfants dans un appareil, dans une armoire au-dessus d'un appareil ou sur l'étagère garde-chaud. Ils risqueraient d'y monter pour s'en emparer et pourraient se blesser gravement.

Demandez à l'installateur de vous montrer l'emplacement du disjoncteur. Marquez-le pour qu'il soit facile à identifier.

L'appareil doit être adéquatement installé et mis à la terre par un technicien qualifié. Ne le branchez qu'à une alimentation électrique avec une mise à la terre adéquate. Consultez le manuel d'installation pour plus de détails.

Cet appareil est conçu pour une utilisation ménagère normale seulement. Il n'est pas approuvé pour une utilisation à l'extérieur. La garantie s'annulera si ce produit est utilisé dans un environnement commercial ou s'il est installé à l'extérieur. Si vous avez des questions, appelez le fabricant.

N'entrez pas et n'utilisez pas des gaz et des produits chimiques, des produits inflammables ou non alimentaires dans cet appareil ou près de cet appareil. Il est spécifiquement conçu pour être utilisé lorsque vous faites chauffer ou cuire des aliments. L'utilisation de produits corrosifs lorsque l'appareil chauffe ou lorsque vous le nettoyez endommagera l'appareil et pourrait causer une blessure corporelle.

N'utilisez pas cet appareil s'il ne fonctionne pas correctement ou s'il a été endommagé. Communiquez avec une agence autorisée.

Ne réparez et ne remplacez aucune pièce de l'appareil à moins que le manuel ne recommande expressément de le faire. Confiez toutes les réparations à une agence autorisée du fabricant.



AVERTISSEMENT :



Les lampes halogènes peuvent être très chaudes. Avant de procéder à l'entretien de l'appareil, coupez l'alimentation électrique et laissez-leur le temps de refroidir.



ATTENTION :

Ne mettez pas de produits inflammables sur les étagères chauffantes.

Fonctionnement

Fonctionnement de la hotte

Vous devriez allumer le ventilateur environ cinq minutes avant de commencer à cuisiner pour établir des courants d'air vers le haut par le biais de la hotte. Ainsi, lorsque de la chaleur, de la fumée, de l'humidité, de la graisse et des odeurs de cuisson seront produites, elles seront évacuées à l'extérieur de la maison au lieu de se répandre dans d'autres salles. Utilisez les réglages bas pour une utilisation normale et les vitesses élevées pour les fortes odeurs et la fumée intense.

Les rafales qui passent au-dessus de la cuisinière ou de la table de cuisson réduisent l'efficacité de la hotte. Lorsqu'il est possible de le faire, ces rafales devraient être contrôlées.

La ventilation est à son mieux dans une cuisine lorsque les seuls courants d'air sont ceux que crée la hotte.

Boutons de contrôle de la hotte

Tableau de commande des modèles de hotte de 27 po de profondeur

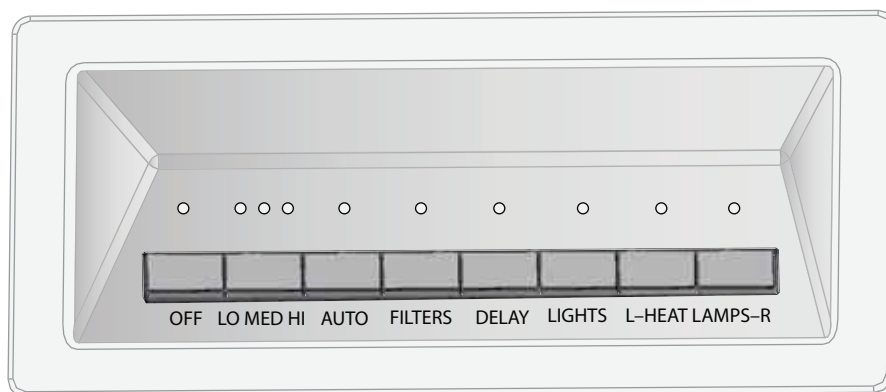


Figure 1 : Tableau de commande des modèles de 27 po

Tableau de commande des modèles de hotte de 24 po de profondeur (sans lampes infrarouges)

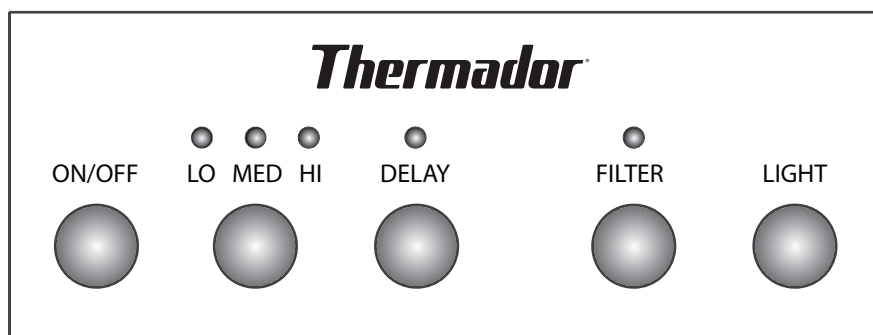


Figure 2 : Tableau de commande des modèles de 24 po

Off (hors champ)

Le ventilateur s'éteint et les commandes sont réinitialisées lorsque vous appuyez sur ce bouton.

Fan Speed (vitesse du ventilateur)

En appuyant sur ce bouton lorsque la hotte est éteinte, le ventilateur s'allume à la vitesse basse. Chaque fois que vous appuyez sur le bouton, la vitesse du ventilateur augmente jusqu'à ce que la haute vitesse soit atteinte. Le ventilateur retourne alors à la vitesse basse.

Les DEL au-dessus de ce bouton indiquent la vitesse actuelle du ventilateur. Lorsque le ventilateur est allumé, la DEL correspondant à la vitesse sélectionnée s'illumine.

- 1 — Low (Basse)
- 2 — Medium (Moyenne)
- 3 — High (Haute)

Auto (seulement pour les modèles de 27 po)

Lorsqu'elle est en mode Auto, la hotte allume automatiquement le ventilateur en fonction de la quantité de chaleur que le capteur détecte. Elle s'ajuste automatiquement toutes les cinq minutes. Si le capteur ne sent pas une grande quantité de chaleur, le ventilateur s'éteint.

Delay (arrêt à retardement)

- Appuyez sur la touche Delay pour allumer le ventilateur pendant dix minutes. Si le ventilateur est éteint lorsque vous appuyez sur la touche Delay, le ventilateur s'allumera à haute vitesse pendant dix minutes puis s'éteindra à la fin du cycle. S'il est allumé lorsque vous appuyez sur la touche Delay, il fonctionnera pendant dix minutes à la vitesse à laquelle il fonctionnait avant de s'éteindre.
- Pendant une période déterminée, la DEL au-dessus de la touche Delay est illuminée.
- Pour interrompre une période déterminée, appuyez sur Fan Speed ou sur la touche Off.

Rappel de nettoyage des filtres

Après 40 heures de fonctionnement, la DEL au-dessus du bouton du filtre s'allume, indiquant que le nettoyage des filtres est requis. Lorsque cet indicateur s'illumine, nettoyez les filtres conformément aux instructions de la page 6. Après les avoir nettoyés, appuyez sur ce bouton pendant trois secondes pour réinitialiser la période de 40 heures et éteindre la DEL.

Lumières : Marche/Veilleuse/Arrêt

Le bouton Light contrôle l'éclairage halogène. En appuyant une fois, la lumière s'allume, en appuyant deux fois, la lumière est en mode veilleuse et en appuyant une troisième fois, elle s'éteint.

Heat Lamp (lampe infrarouge – seulement pour les modèles de 27 po)

Les touches « L » et « R » permettent d'allumer et d'éteindre indépendamment les lampes infrarouges de gauche et de droite.

Heat Sensor (capteur de chaleur)

Fonction de température élevée

Le capteur de haute température protège la hotte contre les hautes températures qui pourraient endommager certaines de ses composantes. La commande est conçue pour s'activer à 161°F (72°C) et se réinitialiser à 140°F (60°C). Lorsqu'il est activé, le ventilateur s'allume à la vitesse basse et la DEL correspondante clignote, indiquant une température élevée.

Lorsque le capteur de haute température est activé, le ventilateur peut changer de vitesse ou s'éteindre. Si le ventilateur est mis hors champ, la DEL correspondante clignote. Les commandes des lumières demeurent en fonction. Lorsque le capteur sent que la température a atteint 140°F (60°C), une réinitialisation a lieu. Durant la réinitialisation, la commande retourne à la fonction à laquelle elle était avant de détecter une température élevée.

Fonction de température élevée

Dans le cas peu probable où le système de protection du capteur de chaleur serait endommagé, les trois indicateurs de vitesse DEL du ventilateur se mettront à clignoter. Toutes les commandes seront fonctionnelles, sauf les indicateurs de vitesse DEL. Pour joindre un représentant du service technique, rappelez-vous aux coordonnées apparaissant au dos du manuel.

Entretien et Nettoyage

Nettoyage

Nettoyage de la surface de la hotte



AVERTISSEMENT :

Assurez-vous que la totalité de l'appareil (y compris les filtres à graisse et les ampoules) ont refroidi et que la graisse s'est solidifiée avant de nettoyer l'une ou l'autre pièce de l'appareil.

- Pour un nettoyage général, nettoyez l'acier inoxydable avec de l'eau savonneuse ou un nettoyant ménager, comme du Fantastik^{mc} ou du Formula 409^{mc}, rincez en profondeur et séchez avec un linge propre pour enlever les marques d'eau.
- Frottez et séchez l'acier inoxydable dans la direction du grain. Évitez de trop mettre de pression, ce qui pourrait rayer la surface.
- N'utilisez pas de produits abrasifs, comme des laines d'acier.
- Pour enlever les traces de doigt et faire briller l'inox, utilisez un nettoyant à acier inoxydable, comme Stainless Steel Magic^{mc}, du poli à inox Hadco ou Sprayway^{mc} ou du nettoyant et poli à inox 3M.
- Ne laissez pas les produits nettoyants rester en contact avec l'acier inoxydable durant de longues périodes.

AVIS :

Les marques de produits mentionnées ne servent qu'à indiquer un type de produit nettoyant et non à en faire la promotion. L'omission d'une marque ne signifie pas qu'elle convient ou ne convient pas. De nombreux produits sont distribués à grande échelle et il est possible de les trouver localement. Il est essentiel que les produits soient utilisés conformément à leur mode d'emploi.

Nettoyage des filtres et du plateau à graisse

Votre hotte est munie de filtres en aluminium ou en acier inoxydable, d'un plateau à graisse en acier inoxydable et de panneaux latéraux en acier inoxydable. Vous devez nettoyer ces pièces lorsque le témoin des filtres s'allume sur le tableau de commande ou lorsque de la graisse s'y accumule. Lorsqu'elle est utilisée au-dessus d'un grill, d'un wok ou de tout autre ustensile où beaucoup de matière grasse est utilisée, un nettoyage plus fréquent peut s'avérer nécessaire.

NOTE :

N'utilisez pas la surface de cuisson lorsque la hotte n'est pas assemblée. Le plateau à graisse doit être en place avant d'installer les filtres.

Pour enlever les filtres et le plateau à graisse :

1. Éteignez le ventilateur et les lumières. Assurez-vous que les filtres ont refroidi et que la graisse s'est figée avant de les enlever.
2. Enlevez les pièces dans l'ordre suivant :
 - 1) **Filtres** – commencez par les filtres du centre; poussez vers le haut, puis retirez-le à partir de la base. Selon la taille et le modèle de la hotte, il y a deux, trois ou quatre filtres.
 - 2) **Panneaux latéraux** – poussez le panneau vers haut et retirez-le à partir de la base.
 - 3) **Plateau à graisse** – poussez vers le haut et retirez-le.
3. Suivez les directives ci-dessus à l'inverse pour installer le plateau à graisse, les filtres et les panneaux latéraux.

Les étiquettes des caractéristiques assignées et du numéro de série se trouvent sur les panneaux latéraux de la hotte et sont visibles lorsque les filtres ont été enlevés.

Les filtres et le plateau à graisse peuvent être lavés à la main ou au lave-vaisselle. Les panneaux latéraux et le panneau frontal peuvent être lavés avec de l'eau savonneuse chaude, puis polis avec du nettoyant à acier inoxydable.

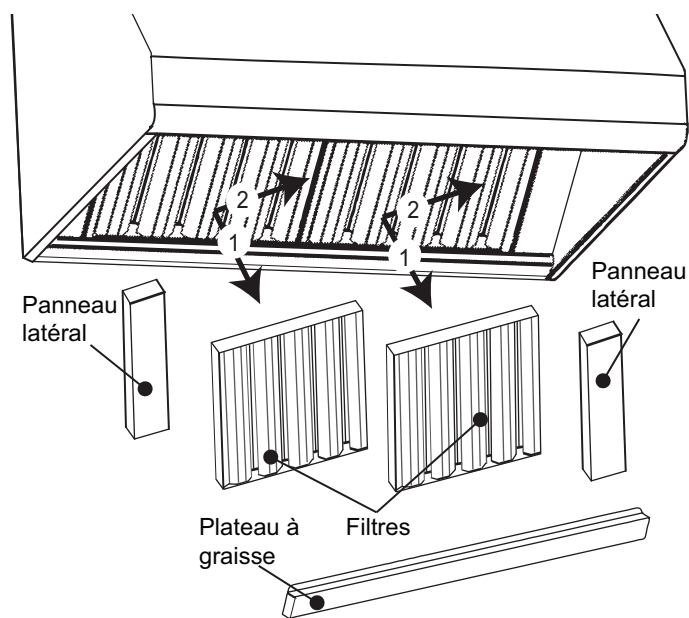


Figure 3 : La hotte et ses pièces

Entretien et Service

Entretien



AVERTISSEMENT :

- Assurez-vous que l'appareil et les lampes ont refroidi et que l'alimentation électrique de l'appareil a été coupée avant de remplacer les ampoules. Si vous ne suivez pas cette directive, vous pourriez recevoir une décharge électrique ou vous brûler.
- Les lentilles de protection doivent être en place lors de l'utilisation de l'appareil.
- Les lentilles servent à éviter que l'ampoule ne se brise.
- Les lentilles sont faites en verre. Manipulez-les avec soin pour éviter de les briser. Les éclats de verre peuvent provoquer des blessures.

Ampoules Halogènes

Éteignez les lumières et le ventilateur. Laissez aux lumières le temps de refroidir avant de les manipuler. Si les nouvelles ampoules ne fonctionnent pas, assurez-vous qu'elles sont correctement installées avant d'appeler le service technique.

Remplacement des ampoules halogènes

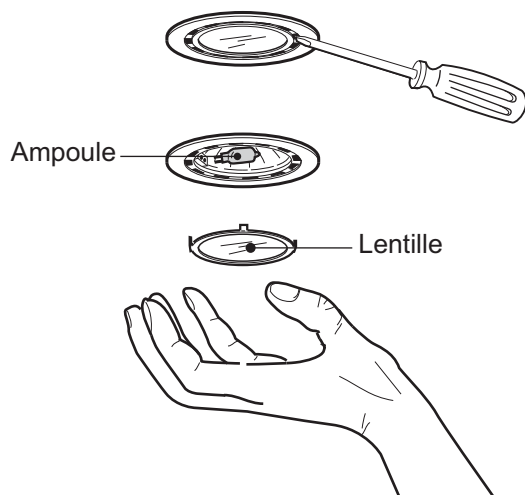


Figure 4 : Remplacement des ampoules halogènes

1. À l'aide de la lame d'un tournevis plat ou d'un outil équivalent, détachez les lentilles de protection en faisant levier, comme illustré sur la Figure 4.
2. Tirez sur l'ampoule endommagée pour l'enlever de la douille.

3. Remplacez-la par une nouvelle ampoule de 120 V, 40 W (maximum) avec une base G-9. Insérez les broches de la base de l'ampoule dans la douille jusqu'à ce que celle-ci soit bien en place. Suivez les indications de l'emballage et ne touchez pas à la nouvelle ampoule directement avec vos mains. Le gras de votre peau peut réduire la longévité de l'ampoule.
4. Réinstallez l'ampoule et la lentille.

Lampes Infrarouges (modèles de 27 po)

Éteignez les lampes infrarouges et le ventilateur. Laissez aux lampes le temps de refroidir avant de les toucher. Si les nouvelles lampes ne fonctionnent pas, assurez-vous que les ampoules sont correctement insérées dans les douilles avant d'appeler le service de soutien technique.

Remplacement des lampes infrarouges

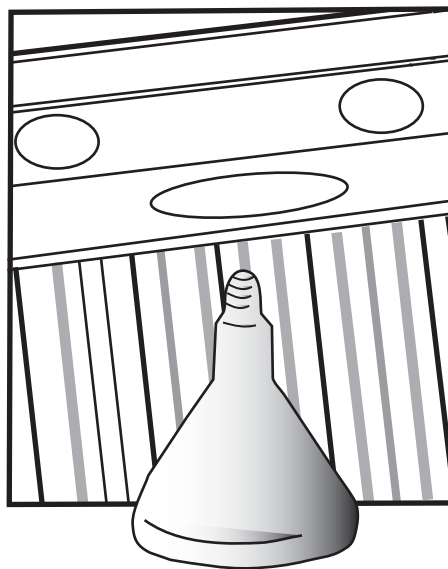


Figure 5 : Remplacement des lampes infrarouges

1. Tournez l'ampoule infrarouge dans le sens antihoraire pour l'enlever.
2. Remplacez l'ampoule par une ampoule PAR-38 175W ou une ampoule PAR-40 250W.

Les ampoules infrarouges PAR-38 175W s'installent plus hermétiquement dans le coffret et produisent la même quantité de chaleur tout en consommant moins d'énergie. Ces lampes peuvent ne pas être facilement disponibles dans des points de vente au détail locaux. Les ampoules infrarouges PAR-40 250W sont plus facilement disponibles et peuvent être utilisées au lieu des ampoules PAR-38 175W.

Service

Avant d'appeler pour du service

Recourez aux suggestions du tableau ci-dessous avant d'appeler pour obtenir du service et ainsi éviter des frais de service.

Problème	Solution Suggérée
Bruit lors du fonctionnement de l'appareil	Il est normal que les vibrations et les mouvements d'air fassent du bruit. Un bruit excessif pourrait être le résultat de l'une ou l'autre des causes suivantes : a) le conduit est trop petit ou sous-dimensionné b) le conduit est trop grand ou surdimensionné c) le conduit n'est pas bien fixé d) la pièce de transition est trop petite ou mal fixée e) les vis à bois ne sont pas assez serrées f) vis mal fixée de la partie de la garniture, etc. Consultez le <i>Manuel d'installation</i> pour vous assurer que la taille du conduit utilisé est la bonne. Serrez les vis.
Bruit lorsque l'appareil est éteint.	Le vent fait bouger le volet du registre anti-refoulement à l'extrémité du conduit située à l'extérieur. Cela est normal.
Le ventilateur ne fonctionne pas	a) Alimentation électrique insuffisante. b) Câblage électrique incorrect. Consultez le <i>Manuel d'installation</i> pour de plus amples renseignements.
Les lumières bourdonnent	Un léger bourdonnement est normal.
La hotte fait sauter le disjoncteur	a) Câblage électrique incorrect. b) Circuit insuffisant. Consultez le <i>Manuel d'installation</i> pour de plus amples renseignements.

Tableau 2: Dépannage

Comment obtenir du service ou des pièces

Nous souhaitons que vous demeuriez un(e) client(e) satisfait(e). Si un problème surgit et que nous ne pouvons le régler à votre satisfaction, veuillez nous en informer.

Pour joindre un représentant du service à la clientèle, rapportez-vous aux coordonnées apparaissant au dos du manuel. Que vous nous écriviez ou appeliez, veuillez nous fournir les numéros de modèle et de série de votre appareil ainsi que la date d'achat ou d'installation originale.

Comment trouver le numéro de modèle

Sur la plaque signalétique se trouvent les numéros de modèle et de série. Veuillez fournir ces renseignements lorsque vous demandez du service. La plaque signalétique se trouve sur la charpente, derrière la pièce d'espacement. Enlevez la pièce d'espacement pour la voir.

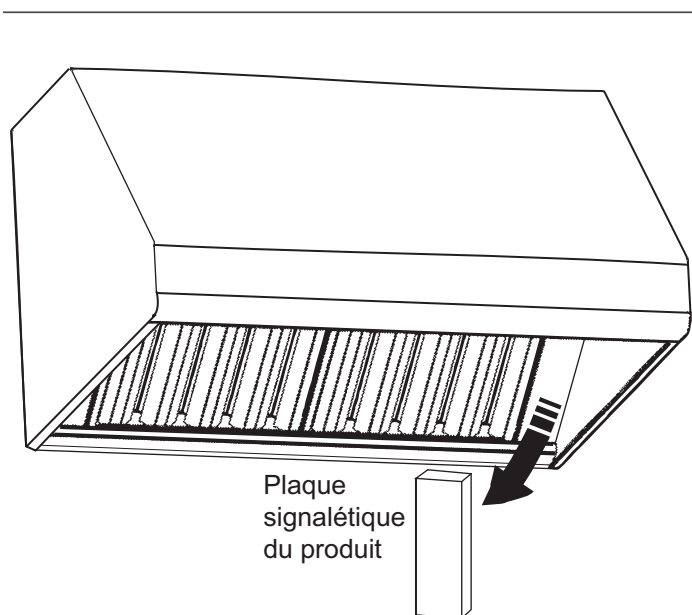


Figure 6 : Plaque signalétique du produit

Énoncé de Garantie Limitée du Produit

Couverture de la garantie et à qui elle s'applique

La garantie limitée fournie par BSH Home Appliances (BSH) dans le présent énoncé de garantie limitée du produit s'applique seulement à l'appareil BSH qui vous est vendu, le premier acheteur à l'utiliser, à la condition que le produit ait été acheté :

- pour votre usage domestique (non commercial) normal et qu'il ait effectivement, en tout temps, été utilisé à des fins domestiques normales;
- à l'état neuf au détail (et non comme un modèle d'exposition "en état", ou modèle préalablement retourné), et non pour la revente ou l'utilisation commerciale;
- aux États-Unis ou au Canada, et qu'il soit en tout temps demeuré dans le pays de l'achat d'origine.

Les garanties énoncées aux présentes s'appliquent seulement au premier acheteur du produit et ne sont pas cessibles.

S'assurer de retourner la carte d'enregistrement; quoique non nécessaire pour que la couverture de la garantie prenne effet, elle constitue le meilleur moyen pour BSH de vous prévenir dans l'éventualité improbable d'un avis de sécurité ou d'un rappel de produit.

Comment obtenir des services de réparation

Pour obtenir des services ou de l'information sur les pièces, veuillez appeler au numéro fourni ou écrire à l'adresse apparaissant sur la couverture arrière.

Durée de la garantie

BSH garantit que le produit est exempt de défaut de matière ou de fabrication pendant une période de sept cent trente (730) jours à compter de la date d'achat. Cette période commence à courir à partir de la date d'achat et ne sera pas retardée, restreinte, prolongée ni suspendue pour quelque raison que ce soit. La réparation ou le remplacement du produit comme recours exclusif.

Réparation ou remplacement comme ultime recours :

Pendant cette période de garantie, BSH ou l'un de ses prestataires de services agréés réparera le produit sans frais de votre part (sous réserve de certaines limitations énoncées aux présentes) s'il s'avère que la fabrication de votre produit présente un défaut de matière ou de fabrication. Si des tentatives raisonnables de réparation du

produit ont été faites sans succès, alors BSH remplacera le produit (des modèles mis à niveau peuvent être mis à votre disposition), à la seule discrétion de BSH, moyennant des frais supplémentaires). Toute composante ou pièce enlevée devient la propriété de BSH, à sa seule option. Toute pièce remplacée et/ou réparée doit assumer l'identité de la pièce d'origine aux fins de la présente garantie, et cette dernière ne sera pas prolongée au regard de ces pièces. La seule obligation et responsabilité de BSH en vertu des présentes est de réparer seulement le produit présentant un défaut de fabrication, par l'entremise d'un prestataire de services agréé BSH aux heures normales de travail. Pour des questions de sécurité et de dommages à la propriété, BSH recommande vivement de ne pas tenter de réparer soi-même le produit, ni d'utiliser un service de réparation non autorisé. BSH décline toute responsabilité pour les réparations ou le travail effectués par un service de réparation non autorisé. Si vous choisissez de faire réparer le produit par une personne autre qu'un prestataire de services agréé, CETTE GARANTIE DEVIENDRA AUTOMATIQUEMENT NULLE ET NON AVENUE. Les prestataires de services agréés sont des personnes ou des compagnies qui ont été spécialement formées pour les produits BSH et qui possèdent, de l'avis de BSH, une excellente réputation pour le service à la clientèle et des aptitudes techniques (il est à noter qu'il s'agit d'entités indépendantes et non des agents, partenaires, affiliés ou représentants de BSH). Néanmoins, BSH n'assumera aucune responsabilité ou obligation à l'égard du produit s'il est situé dans une région éloignée (plus de 100 miles d'un prestataire de services agréé) ou s'il est raisonnablement inaccessible ou à un endroit, dans une zone ou dans un environnement dangereux, menaçants ou hasardeux; dans un tel cas, si vous en faites la demande, BSH pourrait payer les frais de main-d'œuvre et de pièce et expédier les pièces au prestataire de service agréé le plus proche, mais vous seriez quand même entièrement responsable de tout déplacement ou autre frais spécial requis par le service de réparation, à supposer qu'il accepte d'effectuer un appel de service.

Produit hors garantie

BSH n'est nullement tenu, en droit ou autrement, de vous offrir toute concession, y compris réparations, tarifs proportionnels ou remplacement de produit, une fois que la garantie est expirée.

Exclusions de la garantie

La couverture de garantie décrite aux présentes exclut tout défaut ou dommage qui n'est pas une faute directe de BSH, y compris sans limitation, un ou plusieurs des cas suivants :

- Utilisation du produit d'une façon autre que normale, habituelle et prévue (y compris, sans limitation, toute forme d'utilisation commerciale, utilisation ou tout rangement d'un produit pour l'intérieur à l'extérieur, utilisation du produit avec des aéronefs ou des bateaux, quels qu'ils soient);
- Mauvaise conduite volontaire de toute partie, conduite négligente, mauvaise utilisation, abus, accidents, négligence, exploitation irrégulière, manquement à l'entretien, installation inadéquate ou négligée, altération, manquement à observer les instructions de fonctionnement, manipulation sans précaution, service non autorisé (y compris le « bricolage » fait soi-même ou l'exploration du fonctionnement interne de l'appareil).
- Réglage, altération ou modification de toute sorte;
- Manquement à se conformer à tous les codes électriques, de plomberie et/ou de construction de l'état, locaux, municipaux ou du comté, règlements ou lois en vigueur, y compris le manquement à installer le produit strictement en conformité avec les codes et règlements d'incendie et de construction locaux;
- Usure et détérioration normales, déversements d'aliments, liquides, accumulation de graisse, ou autres substances accumulées sur le produit, dans le produit ou autour du produit.
- Et toute force et tout facteur externes, élémentaires et/ou environnementaux, y compris sans limitation, pluie, vent, sable, inondation, incendie, glissement de terrain, gel, humidité excessive ou exposition prolongée à l'humidité, foudre, surtension, défauts de structure environnante de l'appareil, et catastrophes naturelles. En aucun cas BSH n'assumera la moindre responsabilité pour des dommages survenus à la propriété environnante, y compris armoires, planchers, plafonds et autres structures ou objets autour du produit. Également exclus de la garantie sont les égratignures, éraflures, encoches mineures et dommages esthétiques sur les surfaces externes et les pièces exposées; les produits dont les numéros de série ont été modifiés, effacés ou enlevés; les visites de service pour montrer au client comment utiliser le produit ou les visites alors que le produit ne présente aucun problème; la correction de problèmes d'installation (vous êtes entièrement responsable de toute structure et tout réglage du produit, y compris électricité, plomberie ou autres services utilitaires, pour un plancher ou une fondation appropriés et pour toute modification y compris, sans limitation, armoires, murs, planchers, étagères, etc.); et remise en fonction des coupe-circuits ou fusibles.

DANS LA MESURE OÙ LA LOI LE PERMET, LA PRÉSENTE GARANTIE ÉNONCE VOS RECOURS EXCLUSIFS À L'ÉGARD DU PRODUIT, QUE LA RÉCLAMATION SOIT DE NATURE CONTRACTUELLE OU DÉLICTELLE (Y COMPRIS LA RESPONSABILITÉ ABSOLUE OU LA NÉGLIGENCE) OU AUTRE. LA PRÉSENTE GARANTIE REMPLACE TOUTES LES AUTRES GARANTIES, EXPRESSES OU IMPLICITES. TOUTE GARANTIE IMPLICITE EN VERTU DE LA LOI, QUE CE SOIT À DES FINS DE QUALITÉ MARCHANDE OU D'ADAPTATION À UN BUT PARTICULIER, OU AUTREMENT, EST EN VIGUEUR UNIQUEMENT PENDANT LA PÉRIODE AU COURS DE LAQUELLE LA PRÉSENTE GARANTIE LIMITÉE EXPRESSE EST EN VIGUEUR.

LE FABRICANT NE SERA EN AUCUN CAS RESPONSABLE DES DOMMAGES, PERTES OU FRAIS CONSÉCUTIFS, PARTICULIERS, ACCESSOIRES, INDIRECTS, ET/OU PUNITIFS, DES PERTES COMMERCIALES, Y COMPRIS, NOTAMMENT, LE TEMPS D'ABSENCE AU TRAVAIL, L'HÉBERGEMENT ET/OU LES REPAS AU RESTAURANT, LES FRAIS DE REMANIEMENT EN EXCÉDENT DES DOMMAGES DIRECTS QUI SONT MANIFESTEMENT CAUSÉS EXCLUSIVEMENT PAR BSH OU AUTREMENT. CERTAINS ÉTATS NE PERMETTENT PAS L'EXCLUSION OU LA LIMITATION DES DOMMAGES ACCESSOIRES OU INDIRECTS ET CERTAINS ÉTATS NE PERMETTENT PAS LA LIMITATION SUR LA DURÉE D'UNE GARANTIE IMPLICITE, DE SORTE QUE LES LIMITATIONS CI-DESSUS PEUVENT NE PAS S'APPLIQUER À VOTRE CAS. LA PRÉSENTE GARANTIE VOUS DONNE DES DROITS JURIDIQUES SPÉCIFIQUES ET VOUS POUVEZ AVOIR ÉGALEMENT D'AUTRES DROITS QUI VARIENT D'UN ÉTAT À L'AUTRE.

Aucune tentative d'altérer, de modifier ou d'amender la présente garantie ne peut être effective à moins d'une autorisation écrite par un représentant de BSH.

Enregistrement du produit

Enregistrez votre produit BSH afin de vous assurer de recevoir un service opportun et d'avoir accès aux renseignements propres à votre produit. Vous pouvez enregistrer votre produit de l'une des manières suivantes :

1. Envoi par la poste de la carte d'enregistrement du produit THERMADOR.
2. Enregistrement de votre produit en ligne au www.thermador.ca.
3. Appel au service à la clientèle de THERMADOR au 1-888-735-4328.

THERMADOR® Support

Service

We realize that you have made a considerable investment in your kitchen. We are dedicated to supporting you and your appliance so that you have many years of creative cooking.

Please don't hesitate to contact our STAR™ Customer Support Department if you have any questions or in the unlikely event that your THERMADOR appliance needs service. Our service team is ready to assist you.

USA:
800-735-4328
www.thermador.com/support

Canada:
800-735-4328
www.thermador.ca

Parts & Accessories

Parts, filters, descalers, stainless steel cleaners and more can be purchased in the THERMADOR eShop or by phone.

USA:
www.thermador-eshop.com

Canada contact:
Marcone 800-287-1627
or
Reliable Parts 800-941-9217

THERMADOR^{mc} Entretien

Entretien

Nous savons bien que vous avez investi une somme considérable dans votre cuisine. Nous nous faisons un devoir de vous soutenir pour que vous puissiez profiter pleinement d'une cuisine où vous pourrez exprimer toute votre créativité de nombreuses années durant.

N'hésitez pas à communiquer avec l'un des membres chevronnés de notre équipe de soutien au client si vous avez des questions ou dans le cas plutôt improbable où votre appareil Thermador aurait besoin d'entretien. Notre équipe sera prête à vous aider.

USA:
800-735-4328
www.thermador.com/support

Canada:
800-735-4328
www.thermador.ca

Pièces et accessoires

Vous pouvez vous procurer par téléphone ou à notre boutique Thermador en ligne des pièces, des filtres, des produits nettoyants pour acier inoxydable et plus encore.

USA:
www.thermador-eshop.com

Canada contact:
Marcone 800-287-1627
or
Reliable Parts 800-941-9217

Thermador TM

REAL INNOVATIONS FOR REAL COOKS®

1901 Main Street, Suite 600, Irvine, CA 92614 • 800-735-4328 • www.thermador.com
9000831471 • Rev. A • 5U04H7 • © BSH Home Appliances Corporation, 2012