

# INSTALLATION INSTRUCTIONS



THERMADOR PROFESSIONAL<sup>®</sup> PRO GRAND<sup>®</sup> DUAL FUEL RANGES

**Thermador**<sup>®</sup>   
REAL INNOVATIONS FOR REAL COOKS<sup>®</sup>

# INSTALLATION INSTRUCTIONS

THERMADOR PROFESSIONAL® PRO GRAND® Dual Fuel Ranges

Cuisinières Mixtes PROFESSIONAL PRO GRAND<sup>MC</sup> de THERMADOR

Estufas Mixtas PROFESSIONAL PRO GRAND® de THERMADOR

Table of Contents .....	2
Table de Matières .....	29
Índice de Materias .....	57

## Models | Modèles | Modelos

PRD364JDGC  
PRD364JDGU  
PRD366JGC  
PRD366JGU  
PRD486JDGC  
PRD486JDGU  
PRD48JDSGC  
PRD48JDSGU  
PRD364NLGC  
PRD364NLGU  
PRD484NCGC  
PRD484NCGU  
PRD486NLGC  
PRD486NLGU  
PRD48NCSGC  
PRD48NCSGU  
PRD48NLSGC  
PRD48NLSGU



**Thermador** <sup>®</sup>  
REAL INNOVATIONS FOR REAL COOKS<sup>®</sup>

---

# Table of Contents

<b>Safety Instructions</b> .....	<b>3</b>
Before You Begin .....	3
<b>Installation</b> .....	<b>5</b>
Planning Information .....	5
STEP 1: Ventilation Requirements .....	5
STEP 2: Cabinet Preparation .....	6
STEP 3: Unpacking & Moving the Range .....	12
STEP 4: Door Removal & Adjustment .....	13
STEP 5: Installing Anti-Tip Device .....	15
STEP 6: Gas Requirements and Hookup .....	16
STEP 7: Electrical Requirements, Connection & Grounding .....	18
STEP 8: Backguard Installation (optional) .....	20
STEP 9: Placing and Leveling the Range .....	24
STEP 10: Burner Test .....	26
<b>Installer Final Check List</b> .....	<b>28</b>
<b>Customer Support, Accessories &amp; Parts</b> .....	<b>back page</b>

---

# Safety Definitions

 <b>WARNING</b>
--

This indicates that death or serious injuries may occur as a result of non-observance of this warning.
--

 <b>CAUTION</b>
--

This indicates that minor or moderate injuries may occur as a result of non-observance of this warning.
---

**NOTICE:** This indicates that damage to the appliance or property may occur as a result of non-compliance with this advisory.

**Note:** This alerts you to important information and/or tips.

This THERMADOR® appliance is made by  
BSH Home Appliances Corporation  
1901 Main Street, Suite 600  
Irvine, CA 92614

**Questions?**  
1-800-735-4328  
[www.thermador.com](http://www.thermador.com)

**We look forward to hearing from you!**

# Safety

## **IMPORTANT SAFETY INSTRUCTIONS** **READ AND SAVE THESE INSTRUCTIONS**

### Before You Begin

**IMPORTANT:** Save these instructions for the Local Gas Inspector's use.

**INSTALLER:** Please leave these Installation Instructions with this unit for the owner.

**OWNER:** Please retain these instructions for future reference.

#### WARNING



#### ELECTRICAL SHOCK HAZARD

Disconnect power before installing or servicing. Before turning power ON, be sure that all controls are in the OFF position. Failure to do so can result in death or electrical shock.

#### IMPORTANT:

Local codes vary. Installer is responsible for ensuring that the installation, gas connections, and grounding comply with all applicable codes. Failure to follow appropriate local codes and regulations may void the warranty.

#### For Massachusetts Installations:

1. Installation must be performed by a qualified or licensed contractor, plumber or gas fitter qualified or licensed by the state, province or region where this appliance is being installed.
2. Shut-off valve must be a "T" handle gas cock.
3. Flexible gas connector must not be longer than 36" (914 mm).

#### GROUNDING INSTRUCTIONS

This appliance must be grounded. Grounding reduces the risk of electric shock by providing a safe pathway for electric current in the event of a short circuit.

Examine the appliance after unpacking it. In the event of transport damage, do not plug it in.

Remove all tape and packaging before using the appliance. Destroy the packaging after install. Never allow children to play with packaging material.

**NOTE:** This range is NOT designed for installation in manufactured (mobile) homes or recreational park trailers.

**DO NOT install this range outdoors.**

#### WARNING



A child or adult can tip the range over and be killed or seriously injured. Verify that the anti-tip bracket is securely installed. Ensure the anti-tip bracket is engaged when the range is moved.

**DO NOT** operate the range without the anti-tip bracket in place. Failure to follow the instructions in this manual can result in death or serious burns to children and adults.

Check for proper installation and use of anti-tip bracket. Carefully tip range forward pulling from the back to ensure that the anti-tip bracket engages the range aluminum cast base and prevents tip-over. Range should not move more than 1 inch (2.5 cm).

#### WARNING

If the information in this manual is not followed exactly, a fire or explosion may result causing property damage, personal injury or death.

— **DO NOT** store or use gasoline or other flammable vapors and liquids in the vicinity of this or any other appliance.

#### — WHAT TO DO IF YOU SMELL GAS

- **DO NOT** try to light any appliance.
- **DO NOT** touch any electrical switch.
- **DO NOT** use any phone in your building.
- Immediately call your gas supplier from a neighbor's phone. Follow the gas supplier's instructions.
- If you cannot reach your gas supplier, call the fire department.

— Installation and service must be performed by a qualified installer, service agency or the gas supplier.



# IMPORTANT SAFETY INSTRUCTIONS

## READ AND SAVE THESE INSTRUCTIONS

### Gas Type Verification

Verify that the appliance is correct for the type of gas provided at installation location. Ensure that the appliance is connected to the type of gas for which it is certified. Before proceeding with the installation refer to “*STEP 6: Gas Requirements and Hookup*” on page 16 for specifications.

All models are certified for use with natural gas. Field conversion of the appliance for use with propane gas supply will require installation of conversion kit, supplied with the range (service number 00553182). Only a qualified service technician or installer should make this conversion. See *LP Conversion Kit Instruction* for full installation information.

### Gas Supply

**Natural Gas** – 6" water column (14.9 mb) min., 14" (34.9 mb) maximum

**Propane Gas** – 11" water column (27.4 mb) min., 14" (34.9 mb) maximum

#### WARNING

##### State of California Proposition 65 Warnings:

This product contains chemicals known to the State of California to cause cancer, birth defects or other reproductive harm.

### Electric Power Supply

See “*STEP 7: Electrical Requirements, Connection & Grounding*” on page 18 for specifications.

Check local building codes for the proper method of appliance installation. Installation, electrical connections and grounding must comply with all applicable codes. Local codes vary and it is the responsibility of the installer to ensure installation is in accordance with these codes. In the absence of local codes the appliance should be installed in accordance with the National Fuel Gas Code ANSI Z223.1/ NFPA 54 current issue and National Electrical Code ANSI/ NFPA 70-current issue. In Canada, installation must be in accordance with the CAN 1-B149.1 and .2 – Installation Codes for Gas Burning Appliances and/or local codes.

### Safety Codes and Standards

This appliance complies with the following standards:

- UL 858, Standard for the Safety of Household Electric Ranges
- ANSI Z21.1, American National Standard for Household Cooking Gas Appliances
- CAN 1-1. 1-M81, Domestic Gas Ranges
- CAN/CSA-C22.2 No. 61, Household Cooking Ranges

It is the responsibility of the owner and the installer to determine if additional requirements and/or standards apply to specific installations.

#### IMPORTANT:

When installing against a combustible surface, a Low Backguard is required. A THERMADOR™ Low Backguard must be purchased separately. See “*STEP 8: Backguard Installation (optional)*” on page 20 for backguard and installation information.

When using the Flush Island Trim, THERMADOR recommends a minimum 12" (305 mm) rear clearance to a combustible surface (see “*Installation Clearances*” on page 7). Clearances from non-combustible materials are not part of the ANSI Z21.1 scope and are not certified by CSA. Clearances of less than 12" (305 mm) must be approved by the local codes and/or by the local authority having jurisdiction.

Refer to *Table 3, “Backguard Kit Model Numbers,”* on page 20, for the correct backguard models that are designed for this range. After selecting the correct backguard, the range must be installed properly, using the minimum clearances to combustible surfaces specified in “*STEP 2: Cabinet Preparation*” on page 6.

#### WARNING

To avoid possible burn or fire hazard, a backguard designed specifically for this range must be installed whenever the range is used.

#### CAUTION

To eliminate risk of burns or fire caused by reaching over heated surface units, cabinet storage located above the surface units should be avoided.

# Installation

## Planning Information

Before using your appliance, be sure to read this manual. Pay special attention to the **Important Safety Instructions** located at the beginning of the manual.

TOOLS NEEDED	
(2) 1/2" wrenches	1/8" (3.17 mm) drill bit
3/16" (4.76 mm) drill bit	12" adjustable wrench
Hand or electric drill	Tape measure
Phillips & flathead screwdrivers	Marking instrument
Level	Furniture dolly
T-20 Torx screwdriver	Protective gloves
ITEMS NOT INCLUDED	
Drywall/Concrete Anchors	Pipe Compound/Tape
Rope/Twine	3/4" (19 mm) Flex Line
Strain Relief	

## STEP 1: Ventilation Requirements

Refer to the Ventilation Planning Guide for approved ventilation combinations.

It is strongly recommended that this appliance be installed in conjunction with a Thermador vent hood. Due to the high heat capability of this unit, particular attention should be paid to the hood and duct work installation to assure it meets local building codes.

Downdraft ventilation should not be used. The *Ventilation Planning Guide* indicates the ventilation hood options and blower capacity guidelines that are recommended for use with all Thermador ranges.

Due to the high heat of the rangetop burners, do not install a microwave oven/ventilator combination above the range, as these types of units do not provide the proper ventilation and are not suitable for use with the range.

### IMPORTANT:

Ventilation hoods and blowers are designed for use with single wall ducting. However, some local building codes or inspectors may require double wall ducting. Consult local building codes and/or local agencies before starting to assure that hood and duct installation will meet local requirements.

**NOTICE:** Most range hoods contain combustible components which must be considered when planning the installation.

### ⚠ WARNING

This appliance should not be installed with a ventilation system that directs air in a downward direction toward the range. This type of ventilation system may cause ignition and combustion problems with the appliance resulting in personal injury, property damage, or unintended operation. Ventilating systems that direct the air upwards do not have any restriction.

## Ventilation Preparation

### 1. Select Hood and Blower Models

- For wall installations, the hood width must, at a minimum, equal the width of the range. Where space permits, a hood larger in width than the range may be desirable for improved ventilation performance.
- For island installations, the hood width should overhang the range by a minimum of 3" (76 mm) on each side.

### 2. Hood Placement

- For best smoke elimination, the lower edge of the hood should be installed 30" (762 mm) above the range cooking surface.
- If the hood contains any combustible materials (i.e. a wood covering), it must be installed a minimum of 36" (914 mm) above the cooking surface (See *"Installation Clearances"* beginning on page 7.).

### 3. Consider Make-Up Air

- Due to the high volume of ventilation air, a source of outside replacement air is recommended. This is particularly important for tightly sealed and insulated homes. A qualified heating and ventilating contractor should be consulted.

---

## STEP 2: Cabinet Preparation

---

- The range is a free standing unit. If the unit is to be placed adjacent to cabinets, the clearances shown in *"Installation Clearances" on page 7* are required. The same clearances apply to island installations, except for the overhead cabinets, which must have a space wide enough to accept the flared island hood.
  - The range should not be recessed into the cabinets beyond the edge of the front face of the oven (see clearances beginning on *page 8*).
  - The gas and electrical supply should be within the zones shown in *Figure 5 on page 11*.
  - Any openings in the wall behind the range and in the floor under the range must be sealed.
  - When installing against a combustible surface, a Low Backguard is required. A THERMADOR Low Backguard must be purchased separately (see *Table 3, "Backguard Kit Model Numbers," on page 20*).
  - When using the Flush Island Trim, THERMADOR recommends a minimum 12" (305 mm) rear clearance to a combustible surface (see *Figure 4, Installation Clearances with Flush Island Trim*). Clearances from non-combustible materials are not part of the ANSI Z21.1 scope and are not certified by CSA. Clearances of less than 12" (305 mm) must be approved by the local codes and/or by the local authority having jurisdiction.
  - When the range is installed against a combustible side wall a minimum clearance of 5" (127 mm) is needed from the side of the range to the wall. (See *"Installation Clearances" beginning on page 7*.)
  - Always keep appliance area clear from combustible materials, gasoline and other flammable vapors and liquids.
  - The maximum depth of overhead cabinets installed on either side of the hood is 13" (330 mm). Wall cabinets must be 18" (457 mm) above the countertop (See *"Installation Clearances" beginning on page 7*.)
  - Do not obstruct the flow of combustion and ventilation air to the unit.
  - There is a 36" (914 mm) minimum clearance required between the top of the cooking surface and the bottom of an unprotected cabinet. A 30" (762 mm) clearance can be used when the bottom of the wood or metal cabinet is protected by not less than 1/4" (6 mm) of a flame retardant material covered with not less than No. 28 MSG sheet steel, 0.015" (0.38 mm) thick stainless steel, 0.024" (0.61 mm) aluminum, or 0.02" (0.51 mm) thick copper. (See *"Installation Clearances" beginning on page 7*.)
- Flame retardant materials bear the mark: UNDERWRITERS LABORATORIES INC. CLASSIFIED MINERAL AND FIBER BOARDS SURFACE BURNING CHARACTERISTICS, followed by the flame spread and smoke ratings. These designations are shown as "FHC (Flame Spread/Smoke Developed)." Materials with "O" flame spread ratings are flame retardant. Local codes may allow other flame spread ratings. It is the responsibility of the installer to ensure installation is in accordance with these ratings.

# Installation Clearances

## Installation Clearances with Low Backguard

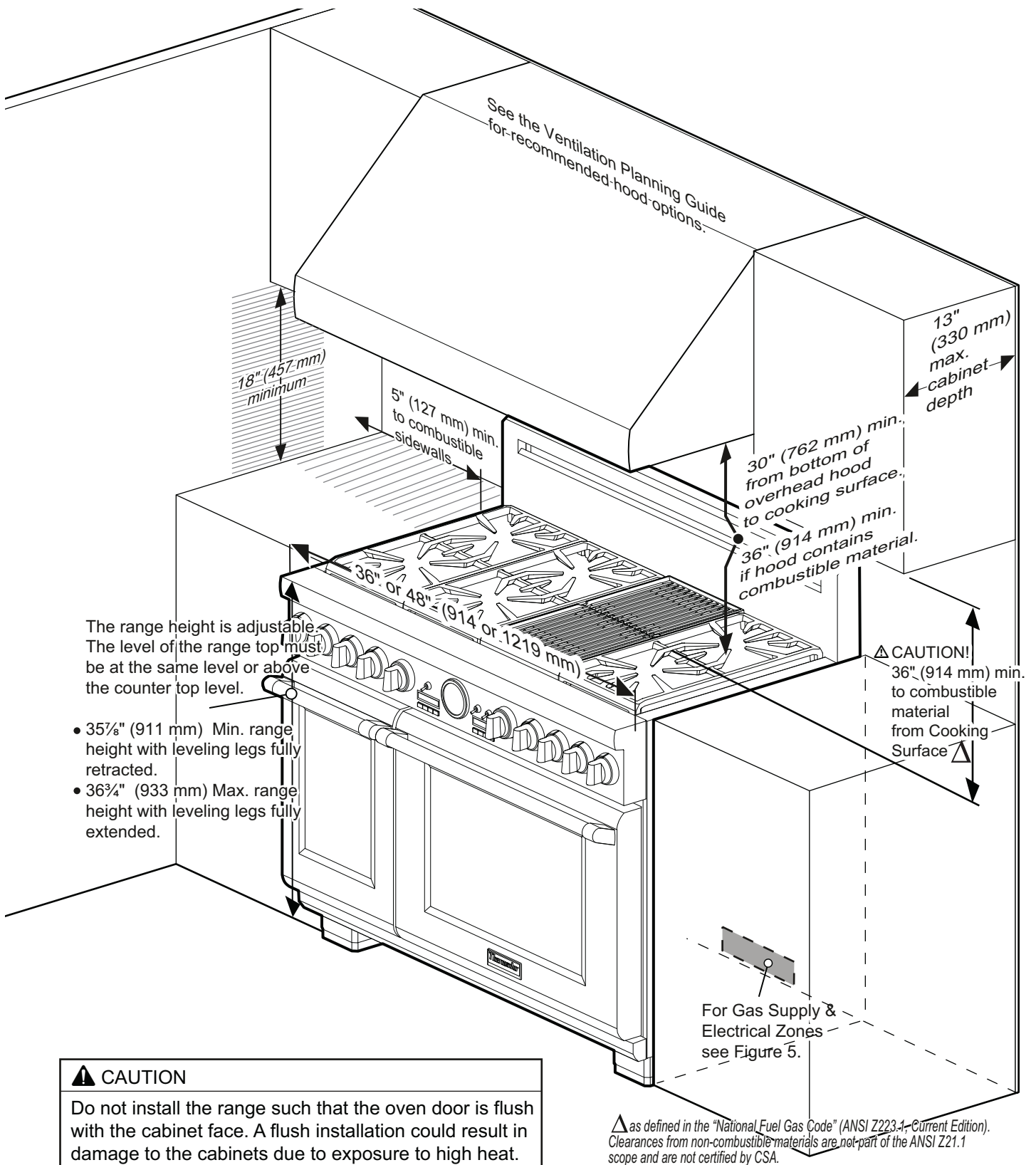
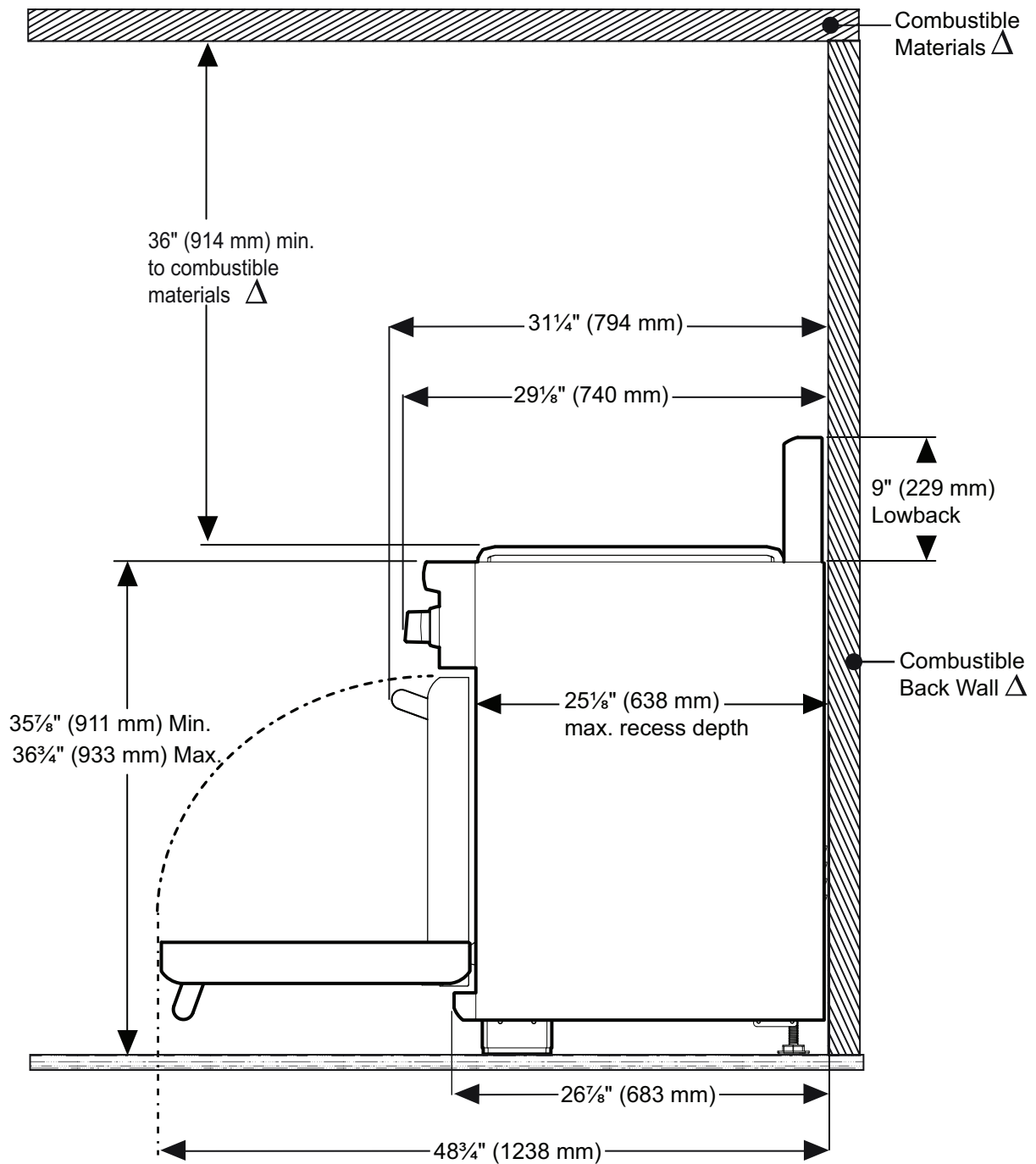


Figure 1: Cabinet Clearances with Low Backguard



## Installation Clearances with Low Backguard



$\Delta$  As defined in the "National Fuel Gas Code" (ANSI Z223.1, Current Edition). Clearances from non-combustible materials are not part of the ANSI Z21.1 scope and are not certified by CSA. Clearances of less than 12" (305 mm) must be approved by the local codes and/or by the local authority having jurisdiction.

Figure 2: Installation Clearances with Low Backguard

# Installation Clearances with Flush Island Trim

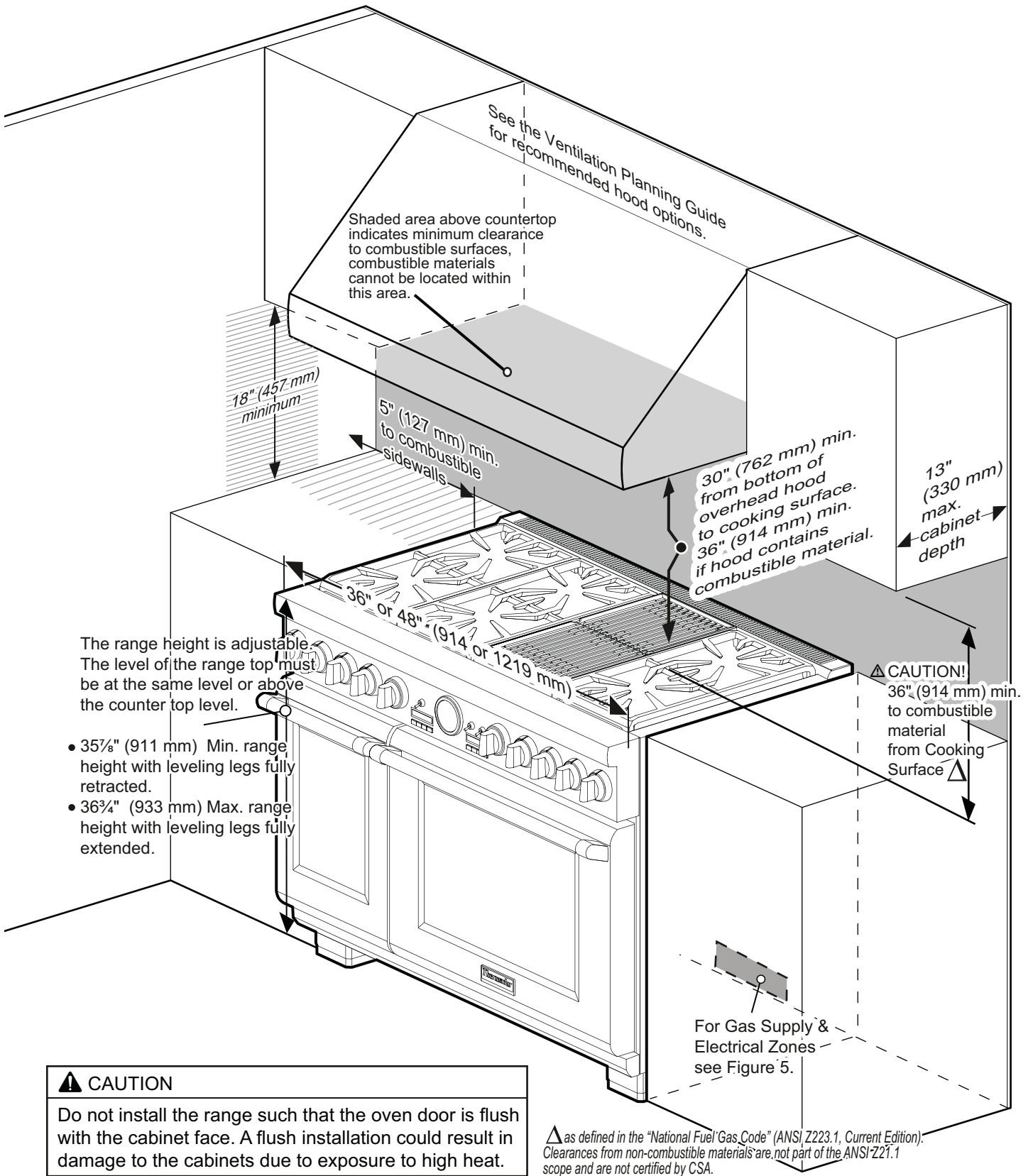
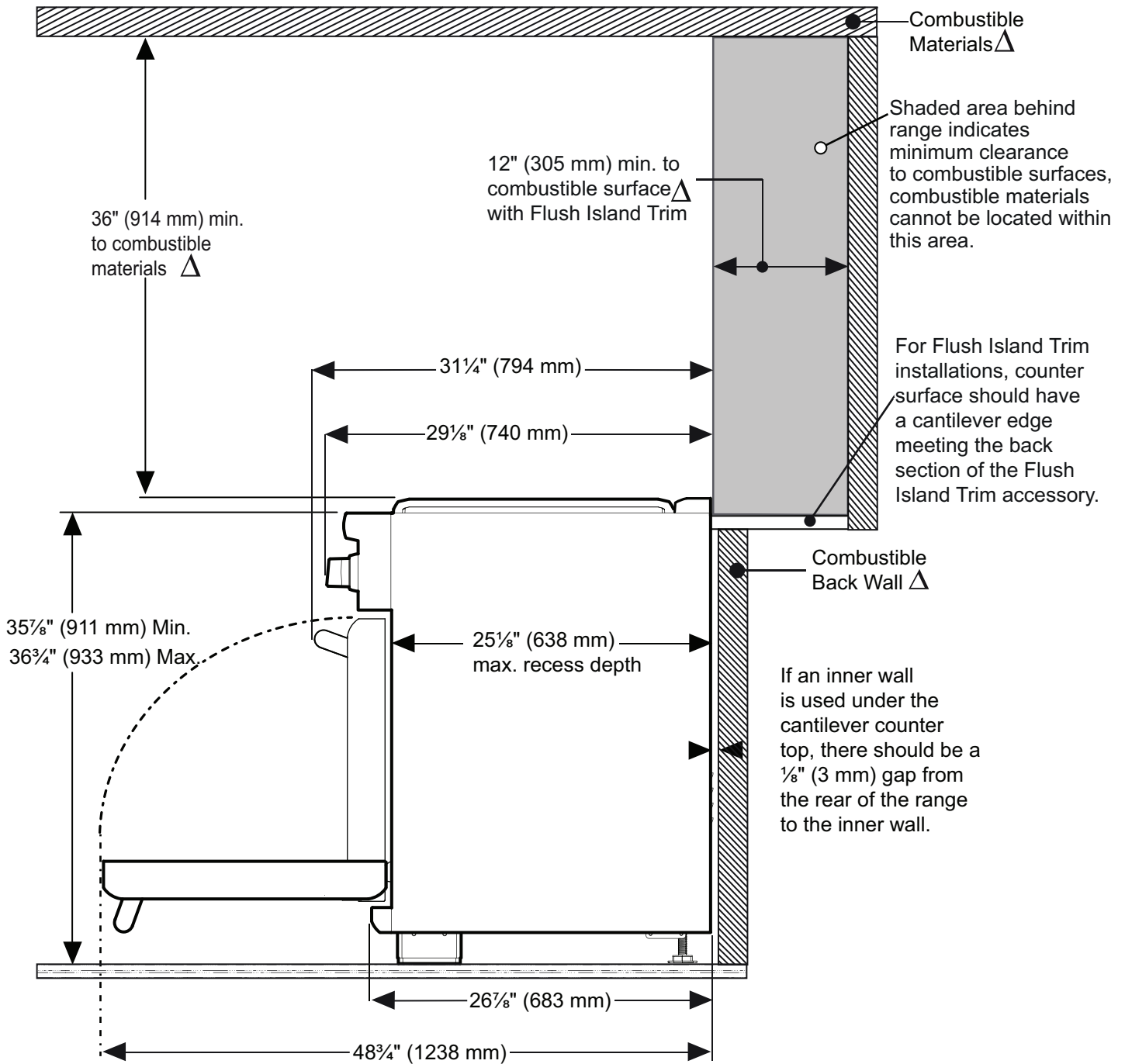


Figure 3: Cabinet Clearances with Flush Island Trim

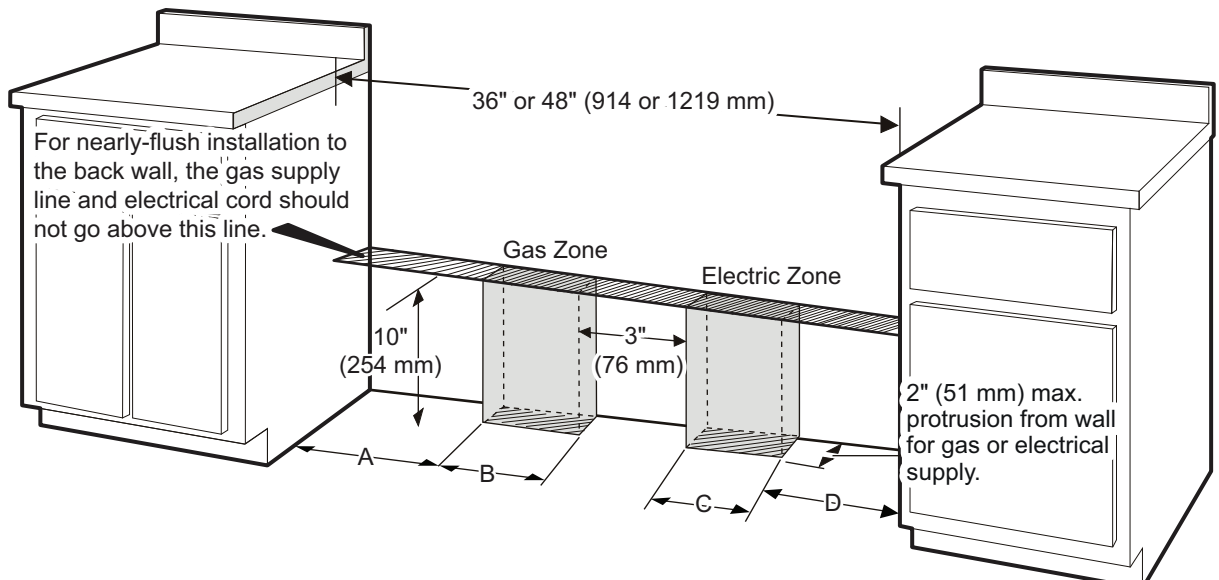
## Installation Clearances with Flush Island Trim



$\Delta$  As defined in the "National Fuel Gas Code" (ANSI Z223.1, Current Edition). Clearances from non-combustible materials are not part of the ANSI Z21.1 scope and are not certified by CSA. Clearances of less than 12" (305 mm) must be approved by the local codes and/or by the local authority having jurisdiction.

Figure 4: Installation Clearances with Flush Island Trim

# Gas and Electric Supply Clearances



Model	A	B	C	D
36" (913 mm)	9 $\frac{1}{8}$ " (232 mm)	7 $\frac{3}{8}$ " (187 mm)	7 $\frac{3}{8}$ " (187 mm)	9 $\frac{1}{8}$ " (232 mm)
48" (1219 mm)	23 $\frac{3}{8}$ " (587 mm)	7" (178 mm)	7" (178 mm)	7 $\frac{3}{8}$ " (200 mm)

Figure 5: Gas and Electrical Supply Locations

**NOTICE:**

- If not already present, install gas shut-off valve in an easily accessible location.
- Make sure all users know where and how to shut off the gas supply to the range.
- Any opening in the wall behind the appliance and any opening in the floor under the appliance must be sealed.

The dual fuel ranges may be connected to the power supply with a range supply cord kit or by hard-wiring to the power supply. It is the responsibility of the installer to provide the proper wiring components (cord or conduit and wires) and complete the electrical connection as dictated by local codes and ordinances, and/or the National Electric Code. The unit must be properly grounded. Refer to "STEP 7: Electrical Requirements, Connection & Grounding" on page 18 for details.

**The range must be connected only to the type of gas for which it is certified.** If the range is to be connected to propane gas, ensure that the propane gas supply tank is equipped with its own high pressure regulator in addition to the pressure regulator supplied with the range (see "STEP 6: Gas Requirements and Hookup" on page 16).

**NOTE:** The range is designed for nearly-flush installation to the back wall. For a successful installation, it may be necessary to reposition the gas supply line and electrical cord as the range is pushed back to its final position.

**SUGGESTION:** Carefully pull on a rope or twine looped around the gas or electrical supply line as the range is pushed back into its final installed position.

## Electrical Supply

Installation of the range must be planned so that the rough-in of the terminal block for the receptacle or conduit connection will allow maximum clearance to the rear of the unit.

When the power supply cord or conduit is connected to the mating receptacle or terminal block cover, the combined connection should protrude no more than 2" (51 mm) from the rear wall (see Figure 6).

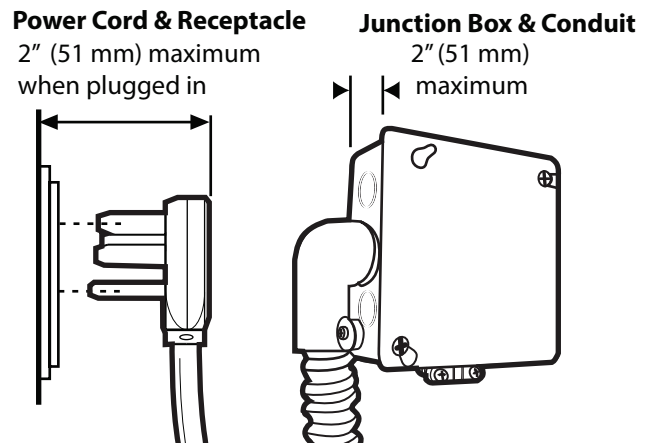


Figure 6: Wall Connection

When using a receptacle it may be necessary to recess the receptacle's housing into the rear wall. Refer to Local Electrical Code to determine the minimum volume for all electrical / junction boxes. Follow all local electrical codes.

Mount the receptacle securely to a wall stud, then seal around the receptacle's housing.

To minimize binding when the unit is connected, orient the receptacle or conduit connector, and slide back into position.

**NOTE:** Canadian models have the power cord supplied with the range.

## STEP 3: Unpacking and Moving the Range

### Unpacking the Range

1. Remove the outer carton and packing materials from the shipping pallet but leave the adhesive-backed foam layer over brushed-metal surfaces, to protect finish from scratches, until the range is installed in its final position.
2. Remove the door(s) (see "STEP 4: Door Removal and Adjustment" on page 13); however, **DO NOT** remove the warming drawer or steam oven doors, if applicable. This will create an estimated reduction in the weight as shown in *Table 1* and allow the range to pass through 30" (762 mm) doorways (see clearances beginning on page 8).
3. The grates, griddle plate, burner caps, and oven racks must be removed to facilitate handling. Do not remove the griddle element and tray assembly.

	36" RANGE	48" RANGE
Shipping Weight	420 lbs (191 kg)	590 lbs (268 kg)
Weight without packing materials	360 lbs (163 kg)	530 lbs (240 kg)
Without door(s), burner caps, and oven racks	260 lbs (118 kg)	390 lbs (177 kg)

**Table 1: Range Weight**

## Moving the Range

### ⚠ CAUTION



**DO NOT** lift the range by the oven door's handle, as this may damage the door hinges and cause the door to fit incorrectly.



**DO NOT** lift the appliance by the range's control panel.

The unit is heavy and should be handled accordingly. Proper safety equipment such as gloves and adequate manpower of at least two people must be used in moving the range to avoid injury and to avoid damage to the unit or the floor.

Rings, watches, and any other loose items that may damage the unit or otherwise might become entangled with the unit should be removed.

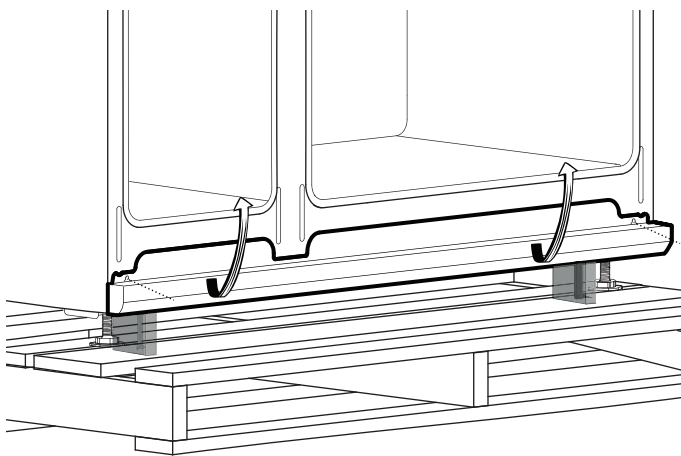
Hidden surfaces may have sharp edges. Use caution when reaching behind or under appliance.

**DO NOT** use a hand truck or appliance dolly on the back or front of the unit. Handle from the side only.

Due to the weight, it is strongly recommended that a furniture dolly with soft wheels or an air lift should be used to move this unit. The weight must be supported uniformly across the bottom.

All ranges are held to the pallet by (4) bolts through a wood block center. The two front pallet bolts are accessible only after removing the Door Trim located beneath the doors.

1. Remove the door trim by loosening the 2 Torx screws attaching it to the range. Slide the trim up and off the screws.



**Figure 7: Door Trim Removal**

- To remove the pallet bolts use (2) ½" (13 mm) wrenches, one to hold bolt at the bottom while the other is loosening the nut at the top. Discard the wood packing block inserts.

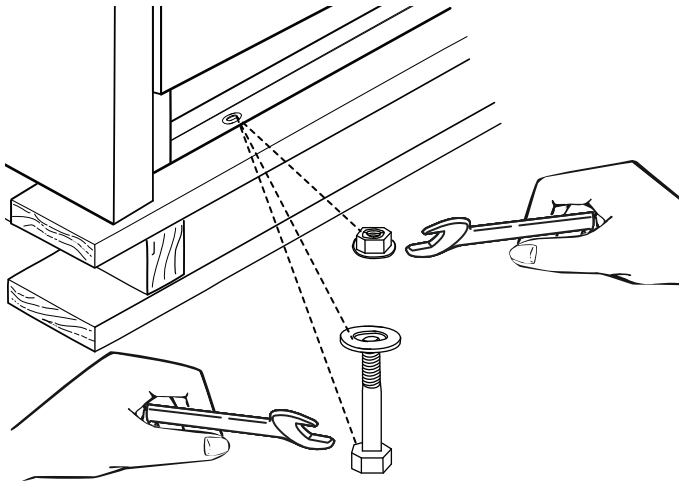


Figure 8: Removal of Shipping Bolts

- PRDS48JDSGU/C models:** To access the pallet bolt located beneath the warming drawer, reach up and behind the frame of the unit with one 1/2" wrench to hold the nut at the top (see Figure 9). Use the second wrench to loosen the bolt at the bottom. **DO NOT remove the warming drawer.**

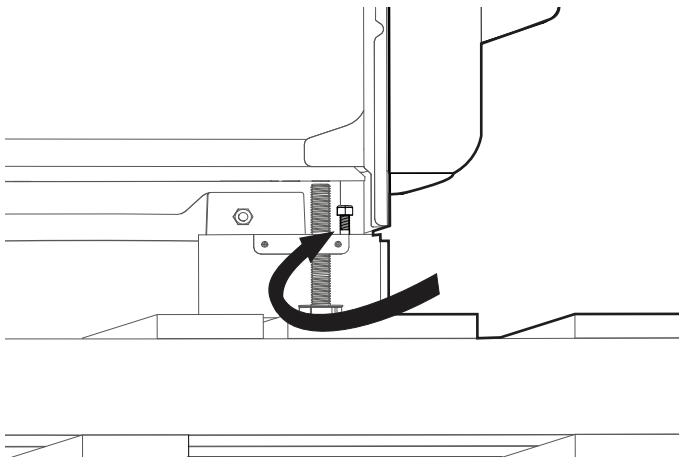


Figure 9: Removal of Bolts Beneath Warming Drawer

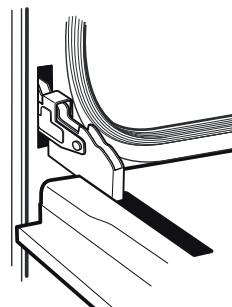
- Carefully tilt the range back and remove it from the pallet. Use additional help as required to remove from pallet.
- After transporting the range by furniture dolly close to its final location, the range can then be tipped back while the dolly is carefully removed.
- THE FLOOR UNDER THE LEGS SHOULD BE PROTECTED BEFORE PUSHING THE UNIT INTO POSITION.**
  - Steps 5 through 8 must be completed before the range is placed in its final position.

## STEP 4: Door Removal and Adjustment

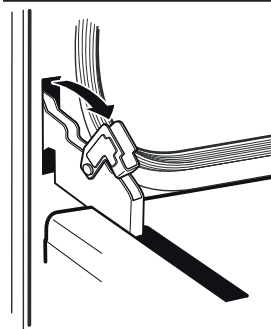
### ⚠ CAUTION

- USE CAUTION WHEN REMOVING THE DOOR. THE DOOR IS VERY HEAVY.** Use both hands to remove or replace the door. Failure to grasp the oven door firmly and properly could result in personal injury and product damage.
- Make sure oven is cool and power to the oven has been turned off before removing the door. Failure to do so could result in electrical shock or burns.
- With the door off, never release the levers and try to close the hinges. Without the weight of the door, the powerful springs will snap the hinges closed with great force.

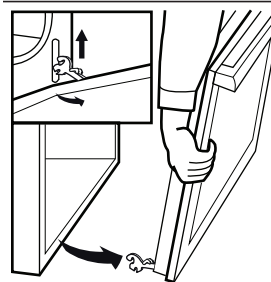
### To Remove the Oven Door



- Be sure to read the above **CAUTION** before attempting to remove the door.
- Open the door fully.



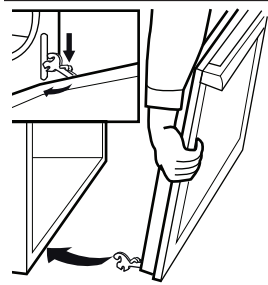
- Flip hinge clip down. A screwdriver may be required to carefully pry the clip back.
- Close the door gently until it stops against the hinge clips. The open hinge clips will hold the door open at a slight angle, about 30°, from the closed position.



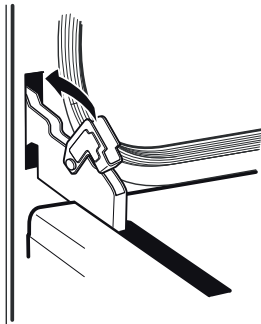
- Grasp the door firmly on the ends of the door. Lift the door up and out. There will be some spring resistance to overcome.
- Place the door in a safe and stable location.

Figure 10: Door Removal

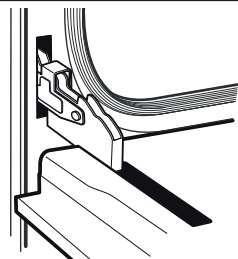
## To Reinstall the Oven Door



1. Hold the door firmly in both hands.
2. Hold the door at a 30° angle from the closed position. Insert hinges centered evenly into the hinge slots. The hinges will securely hook into the slots when properly installed. **DO NOT** force, bend or twist the door.



3. Open door fully to expose hinges, levers, and slots.
4. Flip the hinge forward and down until seated on the bracket. A screwdriver may be required to carefully push the clip back.



5. Close and open the door slowly to ensure it is correctly and securely in place.

Figure 11: Door Install

## To Check Door Fit and Adjustment

1. Open and close the door slowly to test the movement and the fit of the door to the oven cavity. Do not force the door to open or close. If the door is properly installed, it should move smoothly and rest straight on the front of the range when closed.
2. The range must be level for proper alignment of the oven doors, see “STEP 9: Placing and Leveling the Range”.
3. If the door does not operate correctly, verify that the hinges are properly seated into the hinge slots, and that the hinge clips are fully engaged into the slots.
4. If door or handle appears slightly tilted, you may adjust the hinge receiver by rotating the large Torx-head screw located directly above the hinge receiver with a T-20 Torx driver. Rotate each screw respective to its side and direction the door needs to be adjusted (Figure 12).

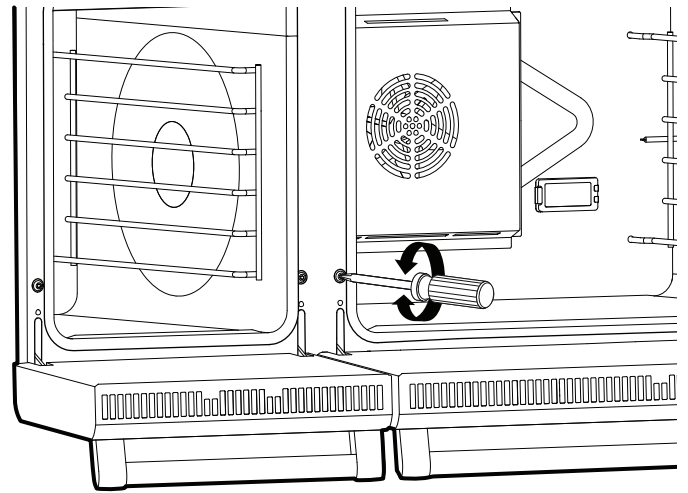


Figure 12: Hinge Receiver Adjustment Screw

**NOTE:** The steam oven door is not adjustable.

## Adjustment for the Warming Drawer Front

1. To align the warming drawer to the steam oven door, loosen the (2) Torx screws on both sides of the drawer frame to adjust the tilt. Tighten the screws.
2. To align the gap between the doors, loosen the (4) Torx screws on the back side of the warming drawer door. Adjust the vertical and horizontal direction until the oven door edges are aligned. Tighten the screws.

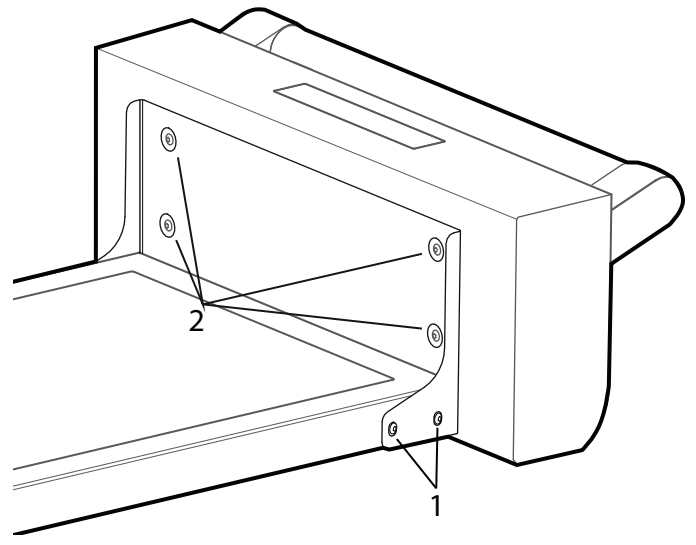



Figure 13: Warming Drawer Adjustment

## STEP 5: Installing Anti-Tip Device

For all ranges, an anti-tip device must be installed as per these instructions.

⚠ WARNING	
	<b>RANGE TIPPING HAZARD:</b> <ul style="list-style-type: none"> <li>— All ranges can tip and injury can result. To prevent accidental tipping of the range, attach it to the floor by installing the Anti-Tip Device supplied.</li> <li>— A risk of tip-over may exist if the appliance is not installed in accordance with these instructions. For all ranges an anti-tip device <u>must</u> be installed.</li> <li>— A child or adult can tip the range and be killed.</li> <li>— Do not operate the range without the anti-tip device in place and engaged. Failure to do so can result in death or serious burns to children or adults.</li> </ul>
	<p>If the range is pulled away from the wall for cleaning, service or for any other reason, ensure that the Anti-Tip Device is properly re-engaged when the range is into position. In the event of abnormal usage (such as a person standing, sitting, or leaning on an open door), failure to take this precaution can result in tipping of the range. Personal injury might result from spilled hot liquids or from the range itself.</p>

### ATTENTION — PROPERTY DAMAGE:

- Contact a qualified installer or contractor to determine the proper method for drilling holes through the wall or floor material (such as ceramic tile, hardwood, etc.)
- Do not slide the range across an unprotected floor.
- Failure to follow these instructions may result in damage to wall or floor coverings.

SERVICE NO.	QTY	DESCRIPTION
00415078	4	Screw, Phillips, #10 x 1½"
00655322	1	Anti-Tip Bracket

### Important Installation Information:

- Attach anti-tip bracket to a solid wood cabinet having a minimum wall thickness of 3/4" (19 mm). The thickness of the wall or floor may require use of longer screws, available at your local hardware store.

- Use appropriate anchors when fastening the mounting bracket to any material other than hard-wood or metal.
- At least (2) of the bracket mounting screws must firmly fasten the anti-tip bracket to the floor, and (2) of the mounting screws (or drywall anchors) must firmly fasten the anti-tip bracket to the rear wall (see *Figure 14* and *Figure 15*).

## Hole Location Preparation

- For walls, wall studs, or floors composed of solid wood or metal, drill 1/8" (3 mm) pilot holes.
- For walls or floors composed of drywall, sheet-rock or other soft materials, drill 3/16" (5 mm) holes to a minimum depth of 1¾" (45 mm), then tap plastic anchors into each of the holes using a hammer.
- For walls or floors composed of concrete or concrete block, drill 3/16" (5 mm) holes to a minimum depth of 1¾" (45mm), then tap concrete anchors into each of the holes using a hammer.
- For walls or floors having ceramic tile covering, drill 3/16" (5 mm) holes through the tile only, then drill into the material behind the tile as indicated immediately above.

⚠ WARNING	
<b>ELECTRICAL SHOCK HAZARD:</b> <ul style="list-style-type: none"> <li>• Use extreme caution when drilling holes into the wall or floor as there may be concealed electrical wires.</li> <li>• Identify the electrical circuits that could be affected by the installation of the Anti-Tip Device, then turn off power to these circuits.</li> <li>• Failure to follow these instructions may result in electrical shock or other personal injury.</li> </ul>	

## Mounting the Anti-Tip Bracket

1. Place bracket on floor near the center of where the unit is to be finally located (*Figure 14*).

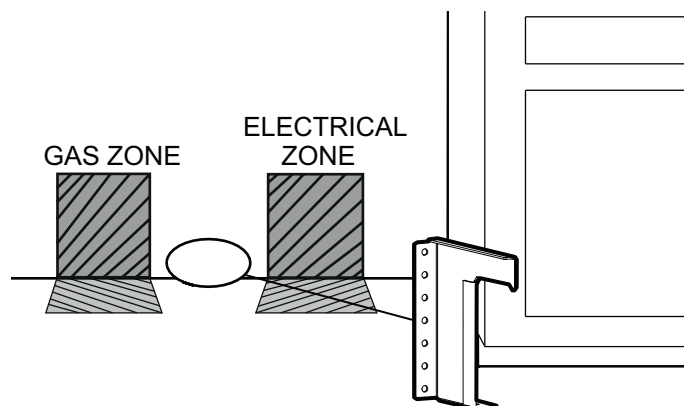
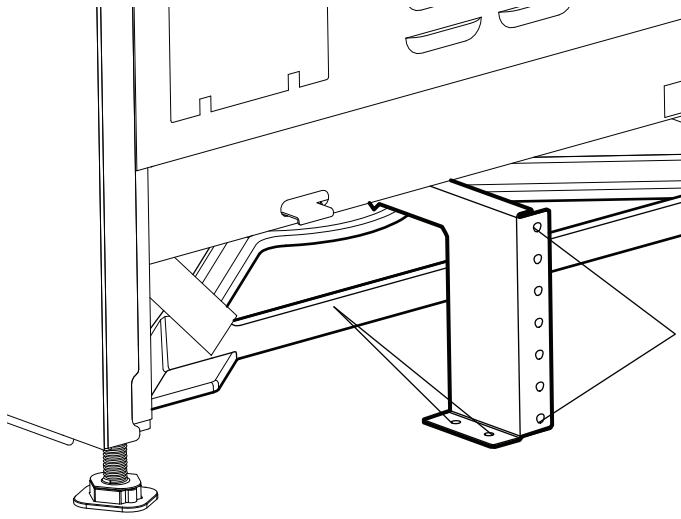


Figure 14: Anti-tip Bracket Mounting Location



- Secure bracket into the wall stud using (2) mounting screws or drywall anchors, as appropriate (*Figure 15*).
- Secure the bracket to the floor using the screws provided (*Figure 15*).
- Later, when the unit is installed, the adjustable legs will allow the cast base to slide under the bracket hook, stabilizing the unit.



**Figure 15: Anti-tip Bracket**

- If the range is moved to a new location, the Anti-Tip Bracket must be reinstalled.

## STEP 6: Gas Requirements and Hookup

### NATURAL GAS REQUIREMENTS

<b>Inlet Connection:</b>	3/4" (19 mm) NPT external 1/2" (12.7 mm) NPT internal (Minimum 3/4" dia. flex line.)
<b>Supply Pressure:</b>	6" min. to 14" max. water column. (14.9 to 34.9 mb)
<b>Manifold Pressure:</b>	5" water column (12.5 mb)

### PROPANE GAS REQUIREMENTS

<b>Inlet Connection:</b>	3/4" (19 mm) NPT external 1/2" (12.7 mm) NPT internal (Minimum 3/4" dia. flex line.)
<b>Supply Pressure:</b>	11" min. to 14" max. water column. (27.4 mb to 34.9 mb)
<b>Manifold Pressure:</b>	10" water column (24.9 mb)

Verify the type of gas being used at the installation site. **The appliance is shipped from the factory for use with natural gas. It must be converted for use with propane. A qualified technician or installer must do the conversion.** Make certain the range matches the type of gas available at this location.

**Natural Gas Appliances** - For installation of the appliance above 2000 ft (610 m), a High Altitude Conversion Kit (Service Number 00746376) is available for purchase from Thermador Customer Service. It is required that a Certified Professional install the High Altitude Conversion Kit.

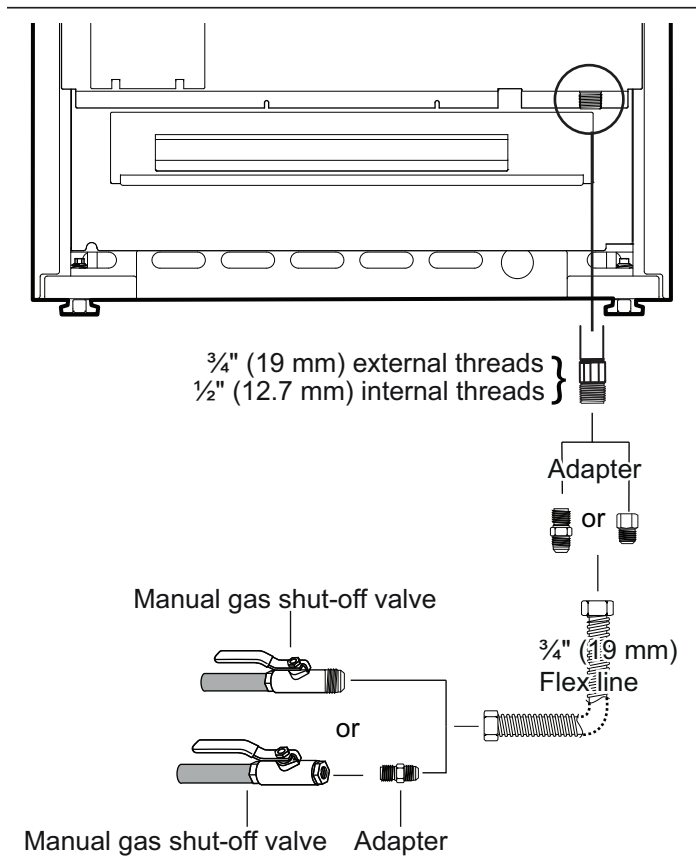
**Propane (LP) Gas Appliances** - The appliance must first be converted for use with Propane (LP) Gas before it can be converted for use at high altitude. The Propane (LP) Conversion Kit (Service Number 00553182) supplied with the appliance is required to be installed prior to converting for use at high altitude. This appliance has been CSA certified for safe operation up to an altitude of 2,000 ft (610 m) elevation above sea level. For installation of the appliance above 2,000 ft (610 m), a High Altitude Conversion Kit (Service Number 00746376) is available for purchase from Thermador Customer Service. It is required that a Certified Professional install both the Propane (LP) Conversion Kit and the High Altitude Conversion Kit.

## Hook Up

The gas supply connections shall be made by a competent technician and in accordance with local codes or ordinances. In the absence of local codes, the installation must conform to the National Fuel Gas Code ANSI Z223.1/ NFPA54- current issue.

- A manual gas shut-off valve (*Figure 16*) must be installed external to the appliance, in a location accessible from the front, for the purpose of shutting off the gas supply. The supply line must not interfere with the back of the unit. Make sure the gas supply is turned off at the manual shut-off valve before connecting the appliance.
  - The range is supplied with its own pressure regulator that has been permanently mounted within the range body.

2. Locate the gas supply line connection at the back of the range (*Figure 16*).



**Figure 16: Gas Supply Connection**

3. Use a  $\frac{3}{4}$ " (19 mm) flex line to connect between the gas supply and the appliance gas inlet. The appliance gas inlet connection is  $\frac{1}{2}$ " (13 mm) NPT (*Figure 16*).

**⚠ WARNING**

Gas line must not come in contact with any components inside back cover of range.

- Use caution to avoid crimping the  $\frac{3}{4}$ " (19 mm) flex line when making bends.
- Suggested length of flex line is 48" (1219 mm); however, please check local codes for your area's requirements before installation.

4. Use a pipe sealing compound or Teflon<sup>®</sup> tape on the pipe threads. Do not apply sealing compound or tape to flare fittings. Be careful not to apply excessive pressure when tightening the fittings.
5. Leak testing of the appliance shall be in accordance with the following instructions.
  - Turn on gas and check supply line connections for leaks using a soap and water solution.
  - Bubbles forming indicate a gas leak. Repair all leaks immediately after finding them.

**⚠ WARNING**

**Do not use a flame of any kind to check for gas leaks.**

The appliance and its individual shut off valve must be disconnected from the gas supply piping system during any pressure testing of the system at test pressures in excess of 1/2 psig (3.5kPa.).

When checking the manifold gas pressure, the inlet pressure to the regulator should be at least 6.0" W.C. (14.9 mb) for natural gas or 11.0" W.C. (27.4 mb) for propane. Do not attempt any adjustment of the pressure regulator.

**⚠ CAUTION**

The appliance must be isolated from the gas supply piping system by closing its individual manual shut-off valve during any pressure testing of the gas supply piping system at test pressures equal to or less than 1/2 psig (3.5kPa.).

**⚠ CAUTION**

When connecting unit to propane gas, make certain the propane gas tank is equipped with its own high pressure regulator in addition to the pressure regulator supplied with the appliance. The pressure of the gas supplied to the appliance regulator must not exceed 14" water column (34.9 mb).

Installer is responsible for ensuring that the installation, gas connections, and grounding comply with all applicable codes.

## STEP 7: Electrical Requirements, Connection & Grounding

Model	Voltage	Circuit Rating	Frequency	Phase
36"	240/208 VAC	40 Amps	60 Hz.	Single
48"	240/208 VAC	50 Amps	60 Hz.	Single

Table 2: Electrical Supply Circuit Requirements

**Before installing, turn power OFF at the service panel. Lock service panel to prevent power from being turned ON accidentally.**

Prior to servicing appliance, always disconnect appliance electrical supply cord, if so equipped, from wall receptacle. If appliance is hard-wired to power supply, disconnect power to unit by turning OFF the proper circuit breaker. Lock service panel to prevent power from being turned ON accidentally.

A neutral supply wire must be provided from the power source (breaker) because critical range components, including the surface burner spark re-ignition module, require 120 VAC to operate safely and properly.

### ⚠ WARNING

An improper 240/208 VAC power supply will cause malfunction, damage to this appliance, and possibly create a condition of shock hazard.

If the correct power supply circuit is not provided, it is the responsibility and obligation of the installer and user to have proper power supply connected. This must be accomplished in accordance with all applicable local codes and ordinances by a qualified electrician. It is the responsibility of the installer to ensure compliance of local codes. In the absence of local codes and ordinances, the power supply connection shall be in accordance with the National Electric Code.

Observe all governing codes and ordinances when grounding. In the absence of these codes or ordinances observe National Electrical Code ANSI/NFPA No. 70 current issue. See the following information in this section for grounding method.

Electrical wiring diagrams and schematics have been placed behind the Door Trim of the range for access by a qualified service technician (see *Figure 36 on page 26*).

The ranges are to be connected to a 240/208 VAC power supply.

Dual Fuel models must be connected to the power supply utilizing one of the following methods. For all methods of connection, the length of the cord or conduit/wiring must allow the unit to be slid completely out of the cabinet without having to unplug or disconnect the unit from the power supply. Recommended minimum free length of cord or conduit is 4ft (1.2 m). Electrical installations and grounding must be in accordance with all local codes and ordinances, and/or the National Electric Code, as applicable.

### Permanent Connection (Hard Wiring)

#### ⚠ WARNING

Improper connection of aluminum house wiring can result in a fire or shock hazard. Use only connectors designed and certified for connecting to aluminum wire.

Units may be hard wired to the power supply. The installer must provide approved flexible aluminum conduit, 3/4" (19 mm) trade size, maximum 6ft (1.8 m) long.

Locate the terminal block on the rear of the unit and remove cover (refer to *Figure 17*). The conduit must be installed to the terminal block using an approved conduit connector. The free end of the conduit must be connected to a terminal block provided in the electrical supply zone, as shown in *Figure 5 on page 11*.

Mount a strain relief (not provided) into the 1" (25.4 mm) diameter hole located below the terminal block (see *Figure 17*). Wiring for the unit is to be brought into the terminal block through the conduit and through the strain relief. The ends of the wiring must have 1/4" (6 mm) faston closed-loop lugs attached, preferably soldered in place. Make the connections to the terminal block provided.

If aluminum supply wiring exists in the installation, splice the aluminum house wiring with appropriate-thickness gauge copper wire for adapting to the range, using special connectors designed and certified for joining copper and aluminum wire. Follow the connector manufacturer's recommended installation procedure.

## 4-Wire Connection

A unit must be connected to the power supply with a 3-POLE, 4-CONDUCTOR cord kit rated 125/250 VOLTS, 50 AMPERES, and marked for use with ranges.

The cord kit must be attached to the range terminal block with a strain relief (not provided) which will fit a 1" (25.4 mm) diameter hole. If not already equipped, the cord must also have 1/4" (6 mm) faston closed-loop lugs attached to the free ends of the individual conductors, preferably soldered in place.

1. Locate the terminal block on the rear of the unit and remove cover (see *Figure 17*).
2. Mount strain relief (not provided with range) into the 1" (25.4 mm) diameter hole in the back panel located below the terminal block. Route wires up through strain relief.

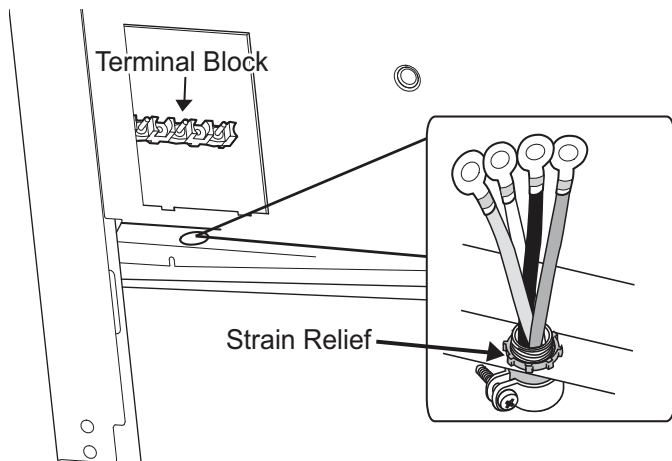


Figure 17: Strain Relief Location

3. Remove upper nuts only from the terminal block studs. Do not remove lower nuts which secure range internal wiring leads.
4. Secure the neutral, grounded wire of the supply circuit, to the center stud of the terminal block with nut (see *Figure 18*).
5. Secure the L1 (red) and L2 (black) power leads to the outside terminal studs (brass colored) with nuts.
6. Remove green ground screw located beneath the terminal block. Discard white wire.
7. Secure the bare copper ground lead to the range chassis using the ground screw previously used for the white wire. Be sure that neutral and ground terminals do not touch.
8. Tighten all connections securely.

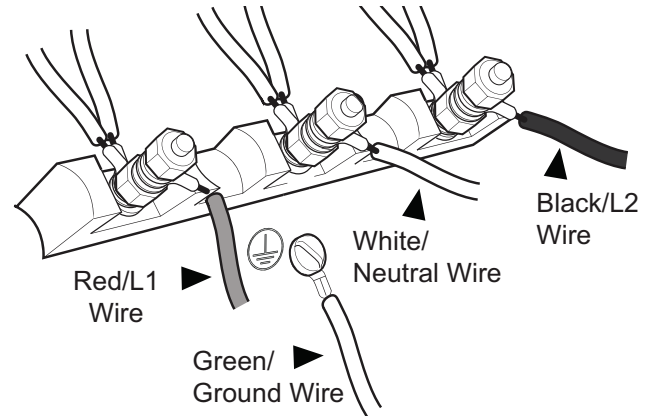


Figure 18: 4-Wire Connection

9. Reinstall the terminal block cover.

**INSTALLER** — show the owner the location of the circuit breaker. Mark it for easy reference.

## 3-Wire Lead Connection

Where local codes and ordinances permit grounding through neutral, and conversion of supply to 4 wire is impractical, unit may be connected to the power supply with a 3-POLE, 3-CONDUCTOR cord kit rated 125/250 VOLTS, 50 AMPERES, and marked for use with ranges.

The cord kit must be attached to the range back panel with a strain relief which will fit a 1" (25.4 mm) diameter hole. If not already equipped, the cord must also have 1/4" (6 mm) faston closed-loop lugs attached to the free ends of the individual conductors, preferably soldered in place.

1. Locate the terminal block on the rear of the unit and remove cover.
2. Mount strain relief (not provided with range) into the 1" (25.4 mm) diameter hole in the back panel located below the terminal block (see *Figure 18*). Route wires up through strain relief.

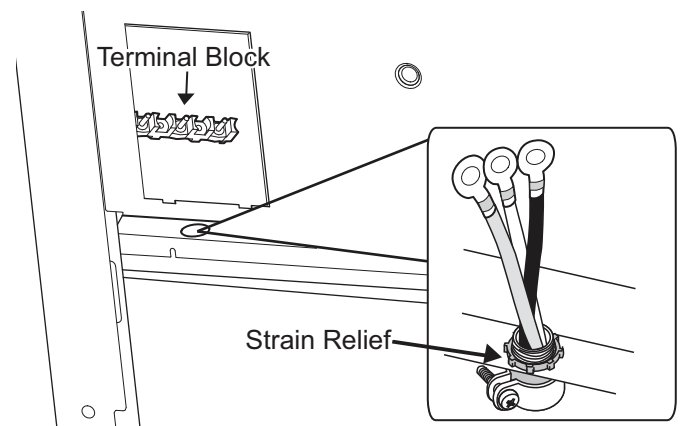
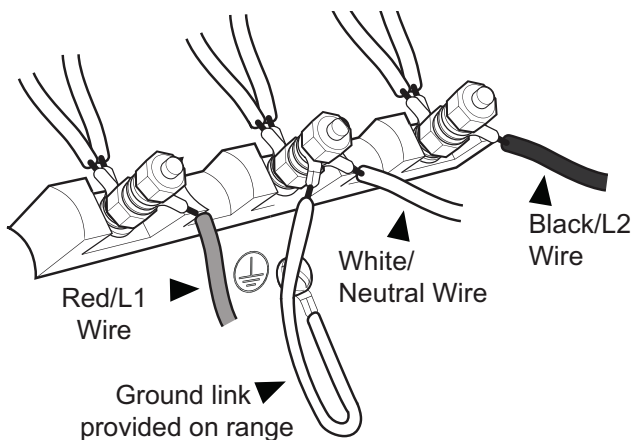


Figure 19: Strain Relief Location

3. Remove upper nuts only from the terminal block studs. Do not remove nuts which secure range internal wiring leads.
4. Secure the neutral, grounded wire of the supply circuit, to the center stud (silver colored) of the terminal block (see *Figure 20*).
5. Secure the L1 (red) and L2 (black) power leads to the outside corresponding terminal block studs (brass colored).
6. Secure one end of the mounted looped neutral wire, located beneath terminal block, to the center stud of the terminal block with nut and keep the other end of the wire screwed into the back of the range.
7. Tighten nuts securely.



**Figure 20: 3-Wire Connection**

8. Reinstall the Terminal Block Cover.

**INSTALLER** — show the owner the location of the circuit breaker. Mark it for easy reference.

## STEP 8: Backguard Installation (optional)

MODEL	LOW BACK	FLUSH ISLAND TRIM
36"	PA36JLBG	Included with range
48"	PA48JLBG	Included with range
48" Steam	PA48JLBSG	Included with range

**Table 3: Backguard Kit Model Numbers**

### ⚠ WARNING



To reduce the risk of fire or injury to persons, check to make sure all packaging has been removed from accessory devices before use.

### ⚠ WARNING

Fingers or hands could get pinched when installing the backguard. Severe injury could result. Use extreme caution and wear thick protective gloves to avoid potential laceration to finger or hand while sliding the backguard down onto the range.

Installation methods will vary upon need. Before you begin read these instructions carefully. Observe all local codes and ordinances.

## Backsplash Installation (PA[36, 48]JBS)

PARTS INCLUDED	TOOLS NEEDED
 10 – 1" (25.4 mm) screws	Phillips screwdriver or drill
 1 – Backsplash	Tape measure

The Backsplash must be installed prior to installing an overhead hood given that the hood shell covers the top mounting screws of the Backsplash.

To protect against scratches, leave protective film on Backsplash until after installation is complete.

If range is already installed, refer to the manufacturer's instructions to disconnect gas and power supplies. Move range forward to gain access to rear of unit.

1. Locate and lightly mark wall studs. Wall studs are usually installed with a 16" or 24" (406 or 1372 mm) space on center.
2. The height of the hood will determine the height of the top edge of the Backsplash. The Backsplash should be mounted so that the bottom rear edge of the hood overlaps the Backsplash 1½" (38 mm).
3. Per each wall stud, use (2) 1" (25.4 mm) Phillips head screws to secure both the top and bottom of the Backsplash (see *Figure 21*). Space screws evenly across top and bottom of Backsplash.
  - Due to variable wall stud widths and varying Backsplash widths, in some cases only one wall stud may be found at the mounting location.

4. Remove protective plastic.

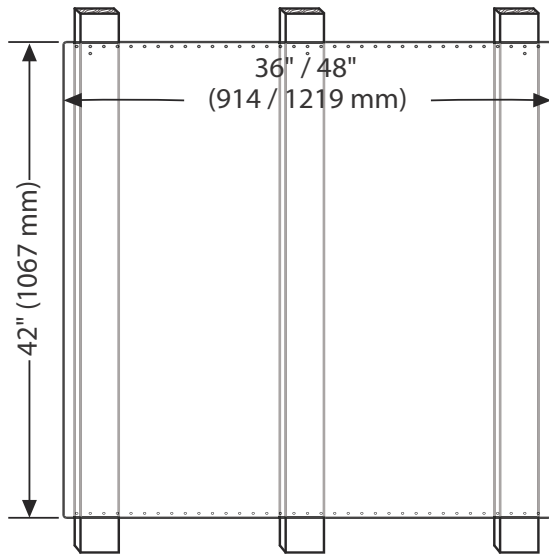


Figure 21: Backsplash Installation

## Installing a Backsplash with a Keep Hot Shelf

A hood can be installed first if the Backsplash is to be installed with a Keep Hot Shelf given that the Keep Hot Shelf covers the top mounting screws of the Backsplash.

To protect against scratches, leave protective film on the Backsplash until after installation is complete.

If range is already installed, refer to the manufacturer's instructions to disconnect gas and power supplies. Move range forward to gain access to rear of unit.

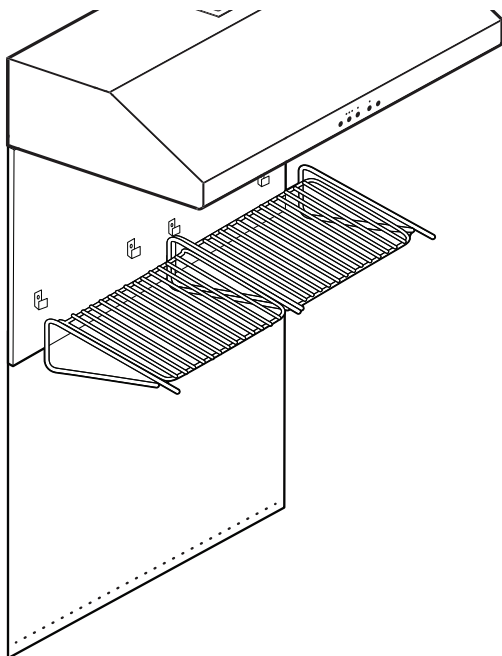


Figure 22: Backsplash with a Keep Hot Shelf

1. Locate wall studs. Wall studs are usually installed with a 16" (406 mm) or 24" (1372 mm) space on center.
2. The height of the hood will determine the height of the top edge of the Backsplash. The Backsplash should be mounted so that the bottom rear edge of the Keep Hot Shelf overlaps the Backsplash 1½" (38 mm).
3. At the locations indicated in *Figure 23*, mount the lower shelf brackets included with the Keep Hot Shelf through the Backsplash and into the wall studs.
  - Due to variable wall stud widths and varying Backsplash widths, in some cases, only one wall stud may be found at the mounting location.
4. Remove Backsplash protective covering.
5. Start with the Keep Hot Shelf Installation.

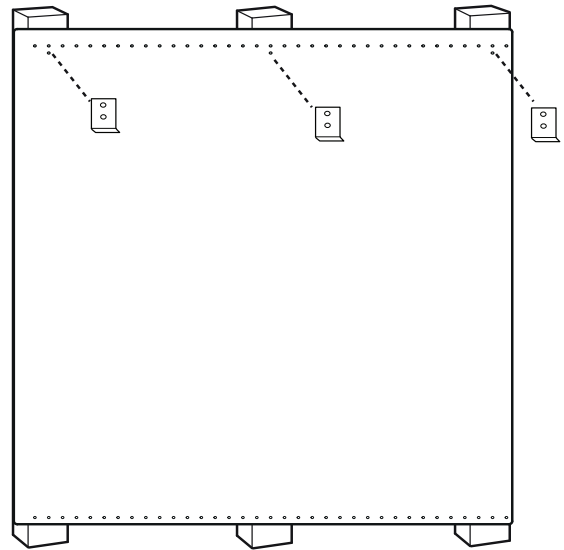


Figure 23: Backsplash with a Keep Hot Shelf

## Keep Hot Shelf (KHS[36, 42, 48]QS)

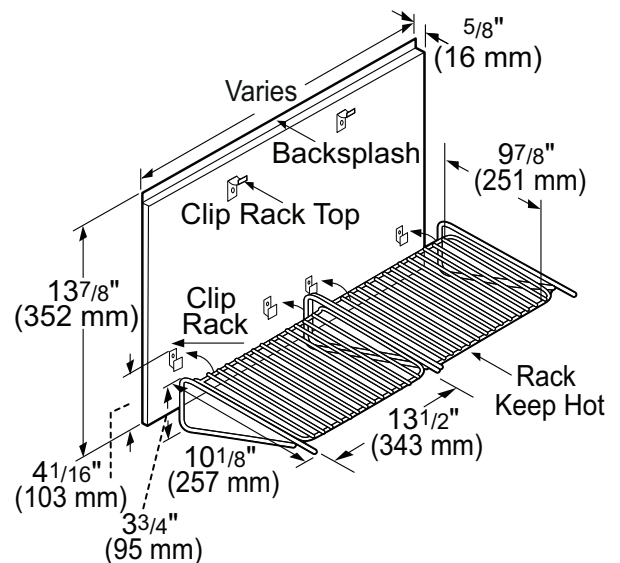

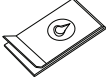

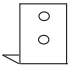
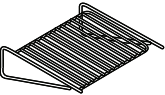
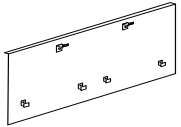
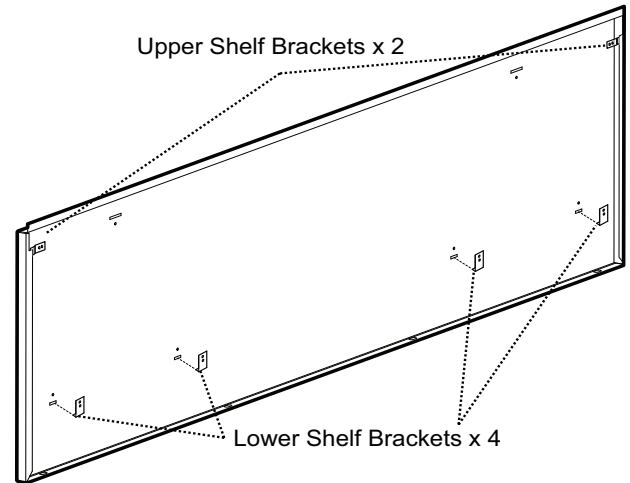


Figure 24: Keep Hot Shelf

ITEMS INCLUDED	TOOLS NEEDED
 12 – 1" (25.4 mm) screws 4 – ½" (12.7 mm) screws	Tape measure
 4 – U-Nuts	Phillips screwdriver or drill
 2 – Upper shelf brackets	Painter's Tape
 4 – Lower shelf brackets	Sharp knife or scissors
 2 – Racks	
 1 – Wall Plate	
1 – Installation guide & templates	

1. Tape the templates included with the Keep Hot Shelf to the wall accordingly:
  - Tape the sheet titled Left Hand Template to bottom and left end of hood. Align the bottom line of hood with the top line of the template.
  - Tape the sheet titled Right Hand Template to bottom and right end of hood. Align the bottom line of hood with the top line of the template.
  - Tape the sheet titled Installation Instruction so that the arrow at the top of the template aligns with hood centerline. Align the bottom line of the hood with the top line of the template.
  - Left to right sides of the template must be equal to length of shelf.
2. Mount the (2) upper shelf brackets and the (3) lower shelf brackets on the 30" & 36" models or (4) lower shelf brackets for the 48" model at the locations outlined on the templates. Secure with (10) 1" (25.4 mm) screws provided.
3. Cut template out from around the brackets and remove from the wall. Do not discard template before the Keep Hot Shelf is completely installed.
4. Insert U-Nuts onto each of the lower shelf brackets.
5. Install the wall plate by setting the corner notches (back of wall plate) atop the (2) upper shelf brackets.

6. Slide the shelf upwards until the bottom engages with the lower shelf brackets (*Figure 25*).



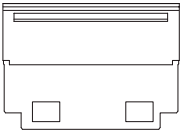

**Figure 25: 48" Back of Wall Plate**

7. Check if the top is properly secured by pulling the top section of the shelf from the wall.
8. Secure to bottom of shelf with the (4) ½" (12.7 mm) screws provided.

## Low Backguard Installation

When installing against a combustible surface, a Low Backguard is required. A THERMADOR Low Backguard must be purchased separately. See *"Installation Clearances with Low Backguard"* beginning on page 7.

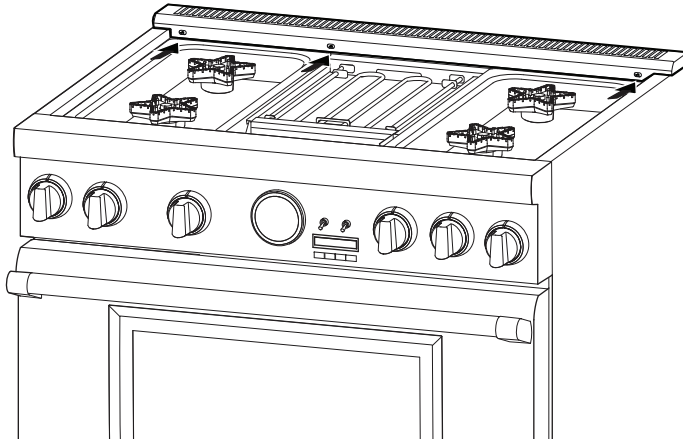
When using the Flush Island Trim, THERMADOR recommends a minimum 12" (305 mm) rear clearance to a combustible surface. (See *"Installation Clearances"* beginning on page 7.) Clearances from non-combustible materials are not part of the ANSI Z21.1 scope and are not certified by CSA. Clearances of less than 12" (305 mm) must be approved by the local codes and/or by the local authority having jurisdiction.

LOW BACK PARTS INCLUDED	TOOLS NEEDED
 Low Back panel	T-20 Torx head screwdriver or drill
 T-20 Torx stainless screws T-20 Torx drill point screws	Protective Work Gloves

**NOTE:** If a Backsplash is to be used in addition to a backguard, install the Backsplash first and the backguard second before sliding range into place.

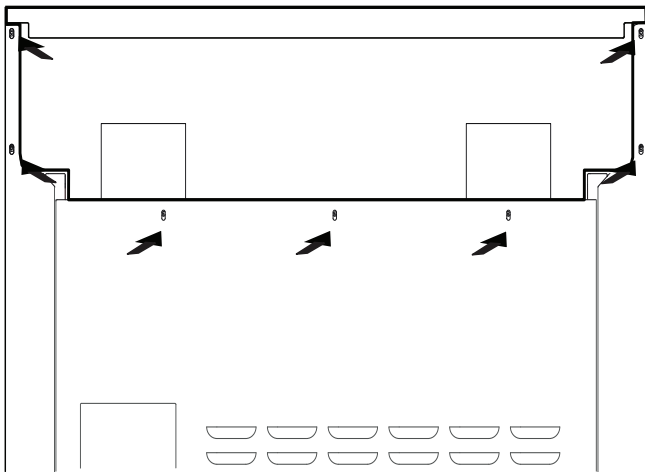
## Backguard Installation

1. Depending on model, remove the (3) or (5) T-20 Torx stainless screws in the front face of the included Flush Island Trim (*Figure 26*).



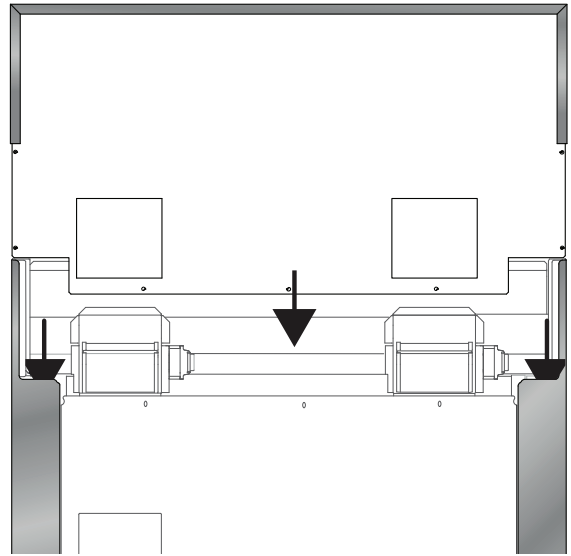
**Figure 26: Flush Island Trim Front Face Screw Removal**

2. Remove the (4) drill point screws securing the trim to the side panels, and the (3) or (4) drill point screws securing the piece to the back panel. Lift up to fully remove (*Figure 27*).



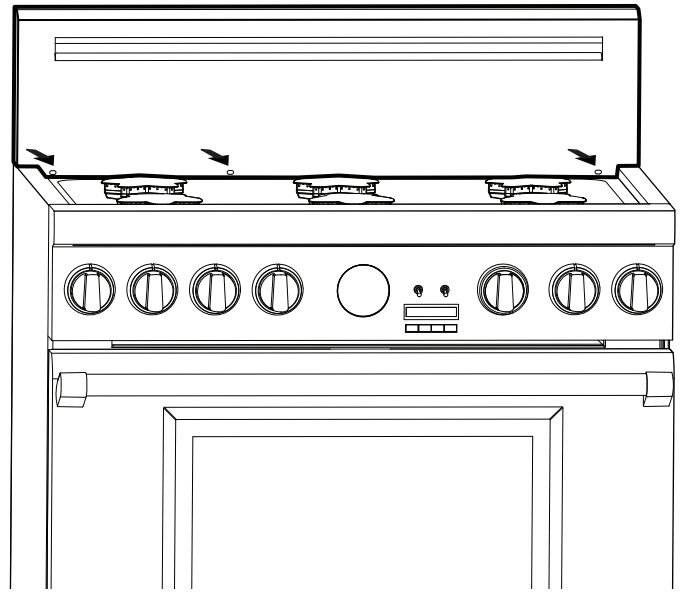
**Figure 27: Flush Island Trim Rear Screw Removal**

3. Align the back panel of the new accessory with the flanges on the range side panels right and left rear corners. The backguard is inserted inside the guide channels on the back of the range (*Figure 28*).



**Figure 28: Backguard Installation**

4. Make sure the backguard's front face is outside the flange on the front side of the range.



**Figure 29: Backguard Installation**

5. Reinstall screws removed in Steps 1 and 2.



## STEP 9: Placing and Leveling the Range

### Leveling Leg Adjustment

#### ⚠ CAUTION

The top edges of the range's side panels must be on the same or higher level as the adjacent countertop. If the range is operated while at a lower height relative to the adjacent cabinet, the cabinet could be exposed to excessive temperatures, causing damage to the cabinet and countertop (see *Figure 30*).

For proper performance, the range must be level. This is especially important for all products that have the griddle feature. Priority should be placed on ensuring that the oven cavities are also level for optimum cooking performance.

The range has (4) leveling legs that are threaded into the base structure.

1. Measure the countertop heights first with a tape measure and add an additional 1/16" - 1/8" (2-3 mm).

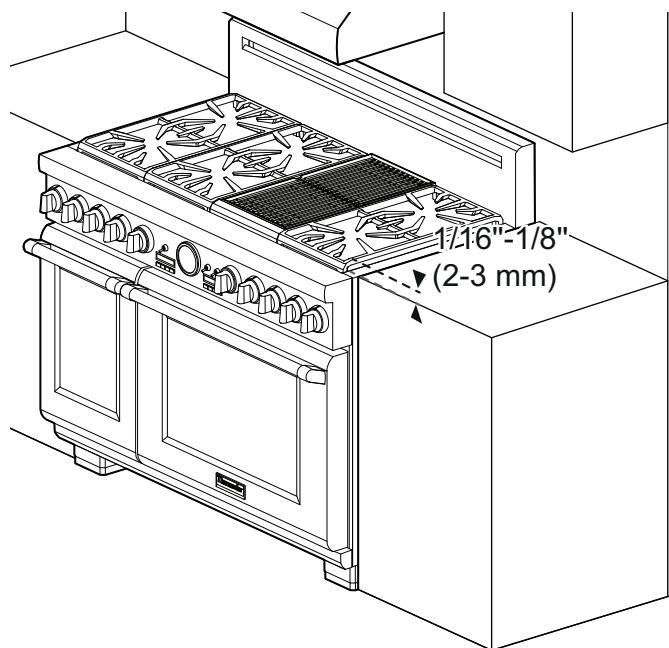


Figure 30: Adjusting the Height of the Range

2. Rotate the legs using a 12" (305 mm) adjustable wrench on the flat sides of each foot. Adjust the legs accordingly prior to pushing the range back to its final location.

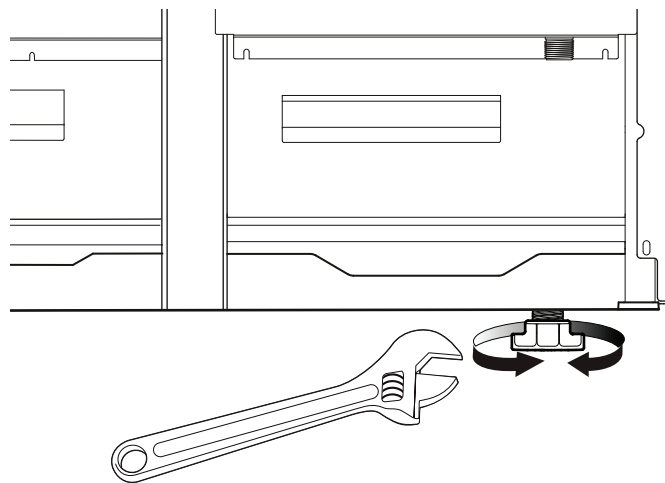


Figure 31: Leveling Legs

3. Progression of the height adjustments should be alternated proportionally between the four corner legs, until the top edges of the range's side panels are close to matching the counter top height.
4. Final height adjustments of the two rear legs take place before moving the range into its installed position in the cabinet.
5. As the range is moved into its final, installed position, verify that the "hook" on the Anti-Tip Bracket is in a position to engage the back edge of the cast base (see "*STEP 5: Installing Anti-Tip Device*" on page 15). This can be verified by viewing through the opening near the floor.
6. With the range in the installed position, the final height adjustments are made to the two front legs to ensure proper alignment to the countertop.

### Griddle Tilt Adjustment (not all models)

Refer to "*Using the Electric Griddle*" in the Use and Care Guide.

### Assembling the Grill (not all models)

Refer to "*Using the Electric Grill*" in the Use and Care Guide.

## Installing the Leg Covers

1. Remove plastic coverings from the stainless steel covers.
2. Place the smaller cover, with cutouts facing up, inside the larger cover with the openings of both stacked and facing the back.

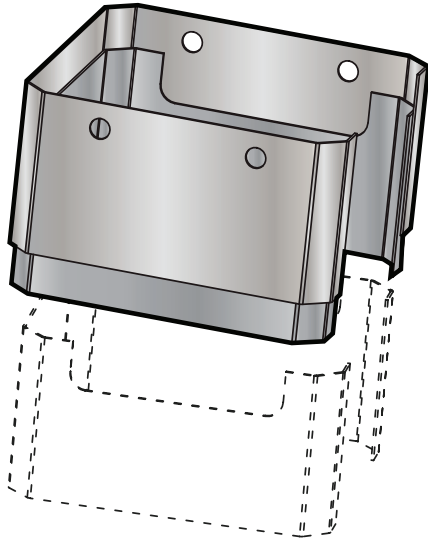


Figure 32: Leg Covers

3. Beneath the range, wrap the cover assembly around the leg.
4. Slide the outer cover up while the inner piece remains on the floor. The mating part has dimples for which the holes of the larger cover should seize. You should feel a definitive click, letting you know that the cover assembly has been mounted to the unit.

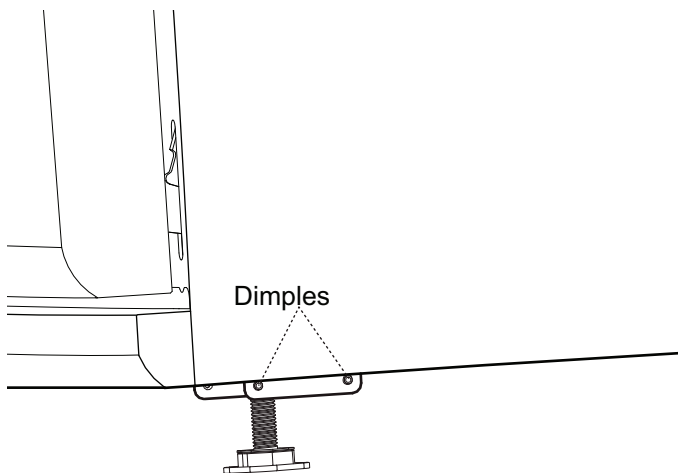


Figure 33: Range Dimples

5. Secure the cover assembly through the dimpled holes with (2) ½" stainless steel Torx head screws (included), as shown below.

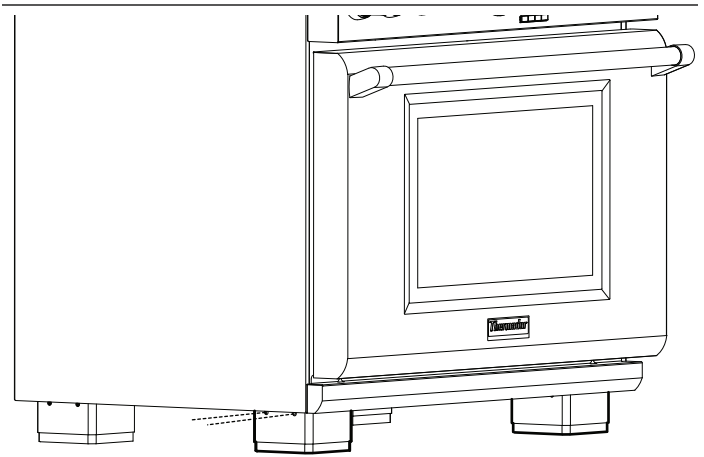




Figure 34: Leg Cover Mounting Holes

6. Repeat for all visible legs.
  - If additional leg covers are required, they may be ordered from the service center by calling 1-800-735-4328 at no charge for up to one year after purchase date of the appliance. When ordering, refer to Leg Cover Kit part no. 00751305.

## Toe Kick Panel (optional) (PA[36,48]JTKG)

TOE KICK PARTS INCLUDED	TOOLS NEEDED
 1 – Toe Kick Panel	T-20 Torx head screwdriver or drill
 4 – T-20 Torx drill point screws	Protective work gloves

1. Remove the screws securing the leg covers (see *Figure 34: "Leg Cover Mounting Holes"*). Dismount the leg covers from the extruded dimples.
2. Remove protective plastic covering from the Toe Kick Panel.
3. Beneath the range, with the holes and flange facing up, wrap the Toe Kick Panel around the cast aluminum base (see *Figure 35*).
4. The mating part has extruded dimples on both sides for which the holes of the Toe Kick Panel should seize. You should feel a definitive click, letting you know that the part has been installed.

5. Mount the Toe Kick Panel on both sides of the unit into the extruded dimples using the (4) T-20 Torx drill point screws provided.

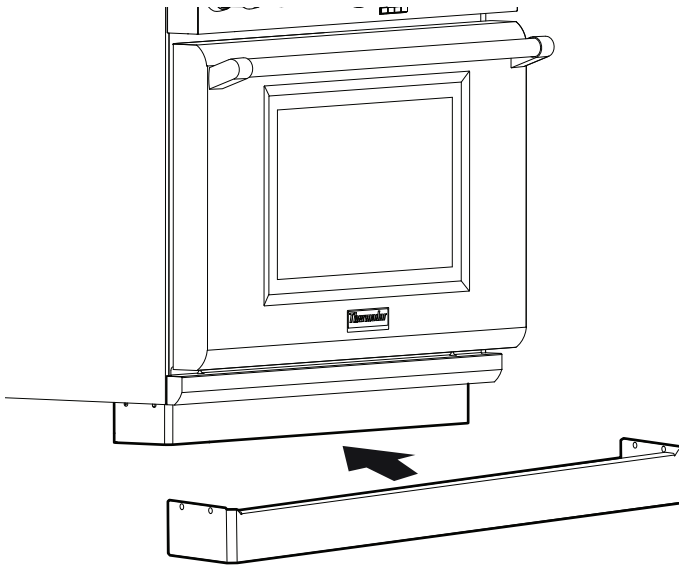


Figure 35: Toe Kick Panel Installation

## Data Rating Label

The data rating label shows the model and serial number of the range. It is located in the gap created by the right side of the oven cavity and the range side panel (Figure 36).

The electric wiring diagrams and schematics are attached behind the door trim, and should not be removed except by a service technician, then replaced after service (Figure 36).

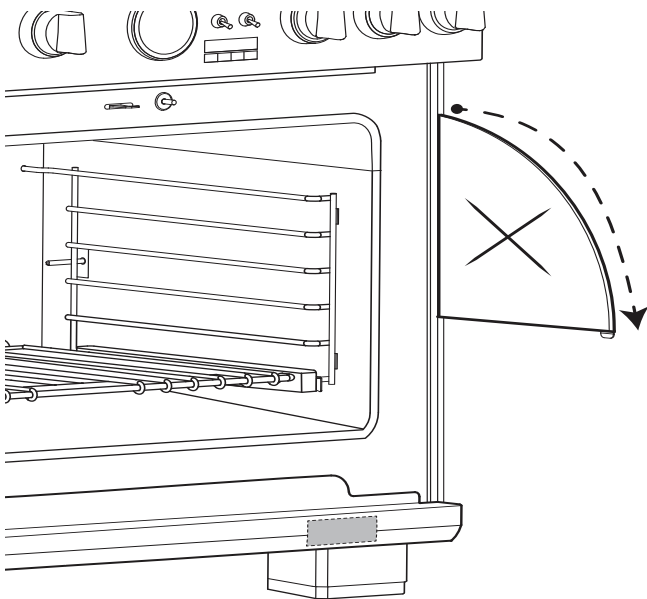


Figure 36: Rating Label Location

## STEP 10: Burner Test

Install any loose components, such as burner caps and grates, that may have been removed earlier. Be certain that burner caps seat properly into the burner bases. Before testing operation of the appliance, verify that the unit and the gas supply have been carefully checked for leaks and that the unit has been connected to the electrical power supply. Turn the gas shut-off valve to the open position.

**NOTICE:** All oven knobs and selectors must be set to OFF before powering up the range. To prevent unintended operation at power up, please set all oven knobs to OFF. To ensure customer safety in the event of power failure, the unit will display an error message upon reinstatement of power unless all oven knobs are set to OFF. Set all oven knobs to OFF and reset the breaker to clear the message.

## Test Rangetop Burners

### Test Burner Ignition

Select a rangetop burner knob. Push down and turn counterclockwise to HI. The ignitor/spark module will produce a clicking sound. Once the air has been purged from the supply lines, the burner should light within four seconds.

### Test Flame: High Setting

Turn burner on to HI. See Figure 37 for appropriate flame characteristics.

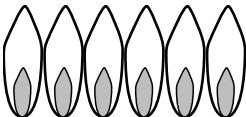
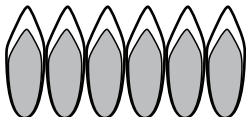
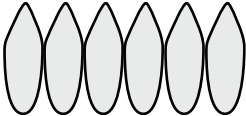
If any of the rangetop burners continue to burn mostly or completely yellow, verify that the burner cap is positioned properly on the burner base, then retest. Use caution when handling the burner caps as they may be hot. If flame characteristics do not improve, call THERMADOR.

### Test Flame: Simmer Setting

Turn burner on to SIM. Verify that the flame travels completely around the burner. This is known as "carry over." There should be a flame at each burner port and there should be no air gap between the flame and the burner. If any burners do not "carry over," call THERMADOR.

Four rangetop burners, (2) on the left side and (2) on the right, feature the XLO<sup>®</sup> setting that causes the flame to cycle on and off when the knob is set to the XLO range. This is normal operation.

Repeat these Ignition and Flame Test procedures for each rangetop burner.

<b>Yellow Flames:</b> Further Adjustment is required.	
<b>Yellow Tips on Outer Cones:</b> Normal for LP Gas	
<b>Soft Blue Flames:</b> Normal for Natural Gas	

If the flame is completely or mostly yellow, verify that the regulator is set for the correct fuel. After adjustment, retest.

Some orange-colored streaking is normal during the initial start-up.

Allow unit to operate 4-5 minutes and re-evaluate before making adjustments.

**Figure 37: Flame Characteristics**

**When Flame is Properly Adjusted:**

There should be a flame at each burner port. There should be no air gap between the flame and burner port.

**Call THERMADOR® if:**

1. Any of the burners do not light.
2. Any of the burners continue to burn yellow.

# Installer Final Check List

- \_\_\_\_\_ Specified clearances maintained to cabinet surfaces.
- \_\_\_\_\_ Unit level and leg covers have been installed.
- \_\_\_\_\_ Burner caps positioned properly on burner bases.
- \_\_\_\_\_ All packaging material removed.
- \_\_\_\_\_ Flush Island Trim or backguard attached according to instructions.
- \_\_\_\_\_ Verify flame at each burner. The flame should appear as described in Step 10. Flame may need to burn for several minutes to remove impurities from the gas lines.
- \_\_\_\_\_ Verify that the ExtraLow<sup>®</sup> feature works and relights around the entire burner.

## Gas Supply

- \_\_\_\_\_ Gas Connection: 3/4" (19 mm) N.P.T. with a min. 3/4" (19 mm) diameter flex line.
- \_\_\_\_\_ The appliance is connected only to the type of gas for which it is certified for use.
- \_\_\_\_\_ Manual gas shut off valve installed in an accessible location (without requiring removal of range). Owner is aware of location of the gas shut-off valve.
- \_\_\_\_\_ Unit tested and free of gas leaks.
- \_\_\_\_\_ If used on propane gas, verify that the propane gas supply is equipped with its own high pressure regulator in addition to the pressure regulator supplied with the appliance.

## Electrical

- \_\_\_\_\_ Receptacle with correct over-current protection is provided for service cord connection.
- \_\_\_\_\_ Proper ground connection.
- \_\_\_\_\_ Owner is aware of location of the main circuit breaker.

## Operation

- \_\_\_\_\_ Bezels centered on burner knobs, and knobs turn freely.
- \_\_\_\_\_ Each burner lights satisfactorily, both individually and with other burners operating.
- \_\_\_\_\_ Oven door hinges seated and hinge locks in proper position. Oven handle and door is level and centered.
- \_\_\_\_\_ Door opens and closes properly.
- \_\_\_\_\_ Burner grates correctly positioned, level, and do not rock.
- \_\_\_\_\_ **INSTALLER:** Write the model number and serial number (see *page 26* for location) in the Use and Care Guide. Leave the Use and Care Guide and Installation Manual with the owner of the appliance.

## Clean and Protect Exterior Surfaces

- The stainless steel surfaces may be cleaned by wiping with a damp soapy cloth, rinsing with clear water and drying with a soft cloth to avoid water marks. Always wipe in the direction of the stainless steel grain.
- To condition and protect stainless steel, use the Thermador Stainless Steel Conditioner, which can be purchased in the Thermador eShop ([www.thermador-eshop.us](http://www.thermador-eshop.us))
- For discolorations or deposits that persist, refer to the Use and Care Guide.
- **DO NOT** allow deposits to remain for long periods of time.
- **DO NOT** use ordinary steel wool or steel brushes. Small bits of steel may adhere to the surface causing rust.
- **DO NOT** allow salt solutions, disinfectants, bleaches or cleaning compounds to remain in contact with stainless steel for extended periods. Many of these compounds contain chemicals which could prove harmful. Rinse with water after exposure and wipe dry with a clean cloth.

## Troubleshooting

See Use and Care Guide for troubleshooting information.

---

# Table des matières

Consignes de sécurité .....	30
Instructions d'installation .....	32
Renseignements de planification .....	32
ÉTAPE 1 : Exigences en matière de ventilation .....	32
ÉTAPE 2 : Préparation des armoires .....	33
ÉTAPE 3 : Déballage et manutention de la cuisinière .....	39
ÉTAPE 4 : Retrait et installation de la porte .....	41
ÉTAPE 5 : Installation du dispositif anti-bascule .....	42
ÉTAPE 6 : Exigences relatives à l'approvisionnement en gaz .....	44
ÉTAPE 7 : Exigences relatives à l'alimentation électrique .....	45
ÉTAPE 8 : Installation du dossier (optionnel).....	48
ÉTAPE 9 : Mise en place et nivelage de la cuisinière .....	52
ÉTAPE 10 : Test des brûleurs.....	54
Liste de vérification à l'intention de l'installateur .....	56
Entretien, pièces et accessoires.....	page verso

---

## Définitions concernant la sécurité

<b>⚠ AVERTISSEMENT</b>
------------------------

Ceci indique que le non respect de cet avertissement peut entraîner des blessures graves, voire la mort.
--

<b>⚠ ATTENTION</b>
--------------------

Ceci indique que le non respect de cet avertissement peut entraîner des blessures légères ou modérées.
--

**NOTICE** : Ceci indique que la non-conformité à cet avis de sécurité peut entraîner des dégâts à l'appareil ou à la propriété.

**Note** : Ceci vous avertit que d'importantes informations et/ou conseils sont fournis.

Cet appareil électroménager de THERMADOR<sup>mc</sup>  
est fait par BSH Home Appliances Ltd  
6696 Financial Drive, Unit 3  
Mississauga, ON L5N 7J6

**Des questions?**  
1-800-735-4328  
[www.thermador.ca](http://www.thermador.ca)

**Nous attendons de vos nouvelles!**

# CONSIGNES DE SÉCURITÉ



## CONSIGNES DE SÉCURITÉ IMPORTANTES LISEZ ET CONSERVEZ CES INSTRUCTIONS

### Avant de commencer

**IMPORTANT :** Conservez ces instructions pour l'inspecteur de la société gazière de votre localité.

**INSTALLATEUR :** Veuillez laisser ces instructions d'installation avec l'appareil pour le propriétaire.

**PROPRIÉTAIRE :** Veuillez conserver ces instructions pour consultation ultérieure.

#### AVERTISSEMENT



#### RISQUE D'ÉLECTROCUTION

Coupez l'électricité avant d'installer l'appareil. Avant de rétablir l'électricité, assurez-vous que toutes les commandes sont à la position OFF.

#### AVERTISSEMENT

Si les directives du présent manuel ne sont pas respectées scrupuleusement, des incendies ou des décharges électriques pourraient être à l'origine de dommages matériels ou de blessures corporelles, ou même entraîner la mort.

- N'entrez pas et n'utilisez pas d'essence ou d'autres produits inflammables à proximité de la cuisinière ou de tout autre appareil.
- **SI VOUS DÉTECTEZ UNE ODEUR DE GAZ**
  - N'allumez aucun appareil.
  - Ne touchez pas aux interrupteurs électriques.
  - N'utilisez pas les téléphones du bâtiment où vous trouvez.
  - Appelez immédiatement votre société gazière chez un voisin et suivez les instructions qu'elle vous donne.
  - Si vous n'arrivez pas à contacter votre société gazière, appelez le service d'incendie.
- L'installation et les travaux d'entretien doivent être réalisés par un installateur qualifié, un centre de réparation agréé ou une société gazière.

#### AVERTISSEMENT

Pour éviter tout risque de brûlure ou d'incendie, un dossier de protection conçu spécialement pour cette cuisinière doit être installé avant son utilisation.

#### AVERTISSEMENT

##### Avertissements de la Proposition 65 de l'État de la Californie :

Ce produit contient des produits chimiques connus de l'État de la Californie pour causer le cancer, des anomalies congénitales ou d'autres problèmes de reproduction.

**IMPORTANT:** Les réglementations locales varient. L'installation, le branchement au gaz et la mise à la terre doivent être conformes à toutes les réglementations en vigueur.

#### AVERTISSEMENT



Un enfant ou un adulte pourrait faire basculer l'appareil et perdre la vie. Assurez-vous que le dispositif anti-basculade a été convenablement installé et que la patte de l'appareil est retenue par le support lorsque vous remettez la cuisinière en place.

Ne faites pas fonctionner l'appareil si le support anti-basculade n'est pas en place. La non-observation des instructions du présent manuel peut entraîner la mort ou causer de graves brûlures à des enfants ou des adultes.

Assurez-vous que le support anti-basculade est bien installé et dûment utilisé. Faites doucement basculer la cuisinière vers l'avant en la tirant par l'arrière pour vous assurer que la patte de l'appareil est bel et bien entrée dans le support anti-basculade et que l'appareil ne peut se renverser. La cuisinière ne devrait pas pouvoir bouger de plus d'un pouce (2,5 cm).

##### Pour les installations au Massachusetts :

1. L'installation doit être réalisée par un entrepreneur qualifié ou accrédité, un plombier ou un installateur de gaz qualifié ou autorisée par l'État, la province ou la région dans laquelle cet appareil est installé.
2. La vanne d'arrêt de gaz doit être pourvue d'une poignée en « T ».
3. La longueur du tuyau de gaz ne doit pas excéder 36 po (914 mm).

Cette cuisinière N'EST PAS conçue pour les maisons mobiles préfabriquées ni pour les véhicules récréatifs.



# CONSIGNES DE SÉCURITÉ IMPORTANTES

## LISEZ ET CONSERVEZ CES INSTRUCTIONS

### Vérification du type de gaz

Vérifiez le type de gaz qui alimente l'endroit où vous installez l'appareil. Assurez-vous que l'appareil est branché au type de gaz pour lequel il est certifié. Toutes les cuisinières sont certifiées pour une utilisation au gaz naturel ou au gaz propane (LP). Assurez-vous que la cuisinière correspond au type de gaz disponible. Consultez la section « *ÉTAPE 6 : Exigences relatives à l'approvisionnement en gaz et au raccordement* » avant de procéder à l'installation.

#### ATTENTION

Cet appareil est conçu pour une utilisation culinaire. Pour des raisons de sécurité, ne l'utilisez jamais pour chauffer une pièce.

Tous les modèles sont certifiés pour une utilisation avec gaz naturel. Conversion sur place pour utilisation au gaz propane exigeant le nécessaire de conversion (00553182). Un professionnel certifié doit procéder à l'installation de la trousse de conversion.

#### IMPORTANT:

Lors d'une installation contre une surface combustible, vous devez utiliser un dossieret bas. Vous pouvez vous acheter séparément ces articles THERMADOR.

Lors de l'utilisation de la garniture d'îlot THERMADOR, il faut un espace minimal de 12 po (305 mm) entre la partie arrière de l'appareil et la surface combustible (voir *Figure 1 à la page 34*). Les espaces libres jusqu'aux surfaces non combustibles ne sont pas précisés dans la norme ANSI Z21.1 et ne sont pas certifiés par la CSA. Tout espace libre de moins de 12 po (305 mm) doit être approuvé par les normes locales ou l'autorité locale ayant compétence.

Consultez les « *ÉTAPE 8 : Installation du dossieret (optionnel)* » à la page 48 » pour connaître les modèles de dossieret conçus pour cette cuisinière. Une fois le dossieret approprié choisi, la cuisinière doit être installée adéquatement en respectant les espaces libres minimaux pour les surfaces combustibles mentionnés à la section « *ÉTAPE 2 : Préparation des armoires* ».

Examinez l'appareil après l'avoir déballé. S'il a été endommagé durant le transport, ne le branchez pas.

Enlevez tout le matériel d'emballage et le ruban adhésif avant d'utiliser l'appareil. Débarrassez-vous du matériel d'emballage après l'installation. Ne laissez jamais des enfants jouer avec le matériel d'emballage.

### Approvisionnement en gaz

**Gaz naturel** — 6 po (14,9 mb) min. à 14 po (34,9 mb) max. de colonne d'eau

**Gaz propane** — 11 po (27,4 mb) min. à 14 po (34,9 mb) max. de colonne d'eau

### Alimentation électrique

Consultez la section « *ÉTAPE 7 : Exigences relatives à l'alimentation électrique, au branchement et à la mise à la terre* » pour obtenir des spécifications.

Vérifiez code de la construction locale en vigueur pour connaître la bonne méthode d'installation de l'appareil. L'installation, le branchement électrique et la mise à la terre doivent respecter toutes les réglementations en vigueur. Les réglementations locales varient et il est de la responsabilité de l'installateur de s'assurer de la conformité de l'installation avec ces réglementations. S'il n'y a pas de réglementations locales, l'appareil doit être installé conformément au code national américain actuel sur les gaz combustibles ANSI Z223.1/ NFPA 54 et au code national américain actuel de l'électricité ANSI/NFPA No 70. Au Canada, l'installation doit être conforme aux normes canadiennes CAN 1-B149.1 et CAN 1-B149.2 pour l'installation d'appareils fonctionnant au gaz, et/ou aux réglementations locales en vigueur.

### INSTRUCTIONS DE MISE À LA TERRE

Cet appareil doit être mis à la terre. La mise à la terre réduit les risques de décharge électrique en fournissant au courant électrique un fil d'échappement lors d'un court-circuit.

**Cet appareil est conforme à une ou à plusieurs des normes suivantes :**

- UL 858 – norme visant la sécurité en matière de cuisinières électriques domestiques
- ANSI Z21.1 – norme américaine régissant les appareils électroménagers de cuisson au gaz
- CAN/CSA-C22.2 No 61-08 – cuisinières domestiques
- CAN/CGA1.1-M81 régissant les cuisinières à gaz domestiques

Il est de la responsabilité du propriétaire et de l'installateur de déterminer les exigences ou les normes supplémentaires pouvant s'appliquer à des installations particulières.

**N'installez PAS cet appareil à l'extérieur.**



# Instructions d'installation

## Renseignements de planification

Avant d'utiliser votre appareil, assurez-vous de lire le présent manuel. Portez une attention particulière aux **Consignes de sécurité importantes** apparaissant au début du manuel.

### OUTILS REQUIS

2 – clés de 25,4 mm	Mèche de 3,17 mm
Mèche de 4,76 mm	Clé ajustable de 305 mm
Perceuse à main ou électrique	Ruban à mesurer
Tournevis plat et Phillips	Instrument de marquage
Niveau	Plate-forme à roulettes
Tournevis Torx T-20	Gants de protection

### ARTICLES NON INCLUS

Vis d'ancrage pour cloison sèche et béton	Composé/ruban pour tuyau
Corde/ficelle	Tuyau souple de (19 mm)
Bride de cordon	

## ÉTAPE 1 : Exigences en matière de ventilation

Consultez le *Guide de planification de ventilation* pour connaître les combinaisons de ventilation approuvées.

Il est **fortement recommandé** d'installer une hotte de ventilation THERMADOR au-dessus de la cuisinière. Une ventilation par aspiration descendante ne devrait pas être utilisée.

Vous ne devriez pas utiliser un système de ventilation par aspiration descendante. Le *Guide de planification de ventilation*, indique les différentes hottes en option ainsi que des directives relatives à la capacité recommandée des ventilateurs à utiliser avec l'une ou l'autre des cuisinières THERMADOR.

N'installez pas un combiné hotte/four à micro-ondes au-dessus de la cuisinière. Ces appareils ne fournissent pas une ventilation appropriée et ne sont pas conçus pour être utilisés avec une cuisinière.

### IMPORTANT :

Les hottes et les ventilateurs sont conçus pour être utilisés avec un seul conduit mural. Cependant, certains inspecteurs ou codes du bâtiment exigent l'utilisation d'un conduit double. Consultez le code de la construction en vigueur ou des organismes locaux avant d'entreprendre les travaux pour vous assurer que l'installation de la hotte et des conduits répond aux exigences locales.

**AVIS :** La plupart des hottes contiennent des matériaux combustibles qui doivent être pris en considération lors de la planification de l'installation.

### ⚠ AVERTISSEMENT

Vous ne devriez pas installer cet appareil avec un système de ventilation à aspiration descendante. Ce type de système de ventilation peut présenter des risques d'incendie et des problèmes de combustion et ainsi entraîner des blessures corporelles, des dommages matériels ou un fonctionnement involontaire. Aucune restriction ne s'applique aux systèmes de ventilation à aspiration ascendante.

## Préparation de la ventilation

### 1. Choix des modèles de hotte et de ventilateur :

- Pour les installations murales, la largeur de la hotte doit être au moins égale à celle de la cuisinière. Si l'espace le permet, il est souhaitable d'installer une hotte plus large que la table de cuisson pour assurer une meilleure ventilation.
- Pour les installations en îlot, la largeur de la hotte devrait excéder celle de la cuisinière d'au moins 3 po (76 mm) de chaque côté.

### 2. Emplacement de la hotte :

- Pour une évacuation accrue de la fumée, la bordure inférieure de la hotte doit se trouver à 30 po (762 mm) au-dessus de la table de cuisson.
- Utilisez un espace libre d'au moins 36 po (914 mm) si des éléments combustibles, comme des panneaux en bois, se trouvent dans la hotte ("*Espaces libres pour l'installation*").

### 3. Air d'appoint :

- Compte tenu de l'important volume d'air requis, il est recommandé de prévoir un apport d'air de l'extérieur. Cet aspect revêt une importance particulière pour les maisons bien isolées et très étanches.

---

## ÉTAPE 2 : Préparation des armoires

---

- La cuisinière est un appareil monobloc. Si l'appareil est installé entre deux armoires, les espaces libres indiqués à la « *“Espaces libres pour l'installation”* » sont requis. Les mêmes espaces libres s'appliquent aux installations en îlot, sauf pour les armoires suspendues, où il doit y avoir suffisamment d'espace pour une hotte de style îlot avec un rebord.
- Les entrées d'électricité et de gaz doivent se trouver dans les zones indiquées à la *Figure 5 à la page 38*.
- Toute ouverture dans le mur derrière l'appareil ou dans le plancher sous l'appareil doit être scellée.
- Lors d'une installation contre une surface combustible, vous devez utiliser un dossieret bas. Vous pouvez vous acheter séparément ces articles THERMADOR<sup>mc</sup> (*Tableau 3, Numéro de modèle de dossieret*).
- Lors de l'utilisation de la garniture d'îlot THERMADOR, il faut un espace minimal de 12 po (305 mm) entre la partie arrière de l'appareil et la surface combustible (*Figure 4*). Les espaces libres jusqu'aux surfaces non combustibles ne sont pas précisés dans la norme ANSI Z21.1 et ne sont pas certifiés par la CSA. Tout espace libre de moins de 12 po (305 mm) doit être approuvé par les normes locales ou l'autorité locale ayant compétence.

- Lorsque la cuisinière est installée contre un mur combustible, un espace libre d'au moins 5 po (127 mm) est requis entre le côté de la cuisinière et le mur (*“Espaces libres pour l'installation”*).
- L'appareil ne doit jamais se trouver à proximité de matériaux combustibles, d'essence et d'autres produits inflammables sous forme de gaz ou de liquide.
- N'obstruez pas le débit d'air de combustion et de ventilation de l'appareil.
- La profondeur maximale des armoires, installées d'un côté ou de l'autre au-dessus de la hotte, devrait être de 13 po (330 mm) (*“Espaces libres pour l'installation”*).
- Un espace libre minimal de 36 po (914 mm) est nécessaire entre la surface de cuisson et le dessous de toute armoire non protégée. Un espace libre de 30 po (762 mm) peut être utilisé lorsque la partie inférieure d'une armoire en bois ou en métal est protégée par un matériau ignifuge d'une épaisseur minimale de ¼ po (6 mm) revêtu d'une feuille d'acier no 28 MSG, d'acier inoxydable de 0,015 po (0,38 mm), d'aluminium de 0,024 po (0,61 mm) ou de cuivre de 0,020 po (0,51 mm) (*“Espaces libres pour l'installation”*).

Les matériaux ignifuges portent la marque suivante : UNDERWRITERS LABORATORIES INC. CLASSIFIED MINERAL AND FIBER BOARDS SURFACE BURNING CHARACTERISTICS (caractéristiques relatives à l'inflammabilité de panneaux de fibres et de minéraux classés). Cette indication est suivie par des indices de propagation de flamme et de fumée. Ces désignations sont indiquées par le sigle « FHC » (Flame Spread/Smoke Developed – Propagation de la flamme/Production de fumée). Les matériaux ayant un indice de propagation de flamme de 0 sont ignifuges. La réglementation locale peut autoriser un indice de propagation de flamme différent. Il est de la responsabilité de l'installateur de veiller à ce que l'installation se fasse conformément à ces indices.

# Espaces libres pour l'installation

## Installation avec dossier bas

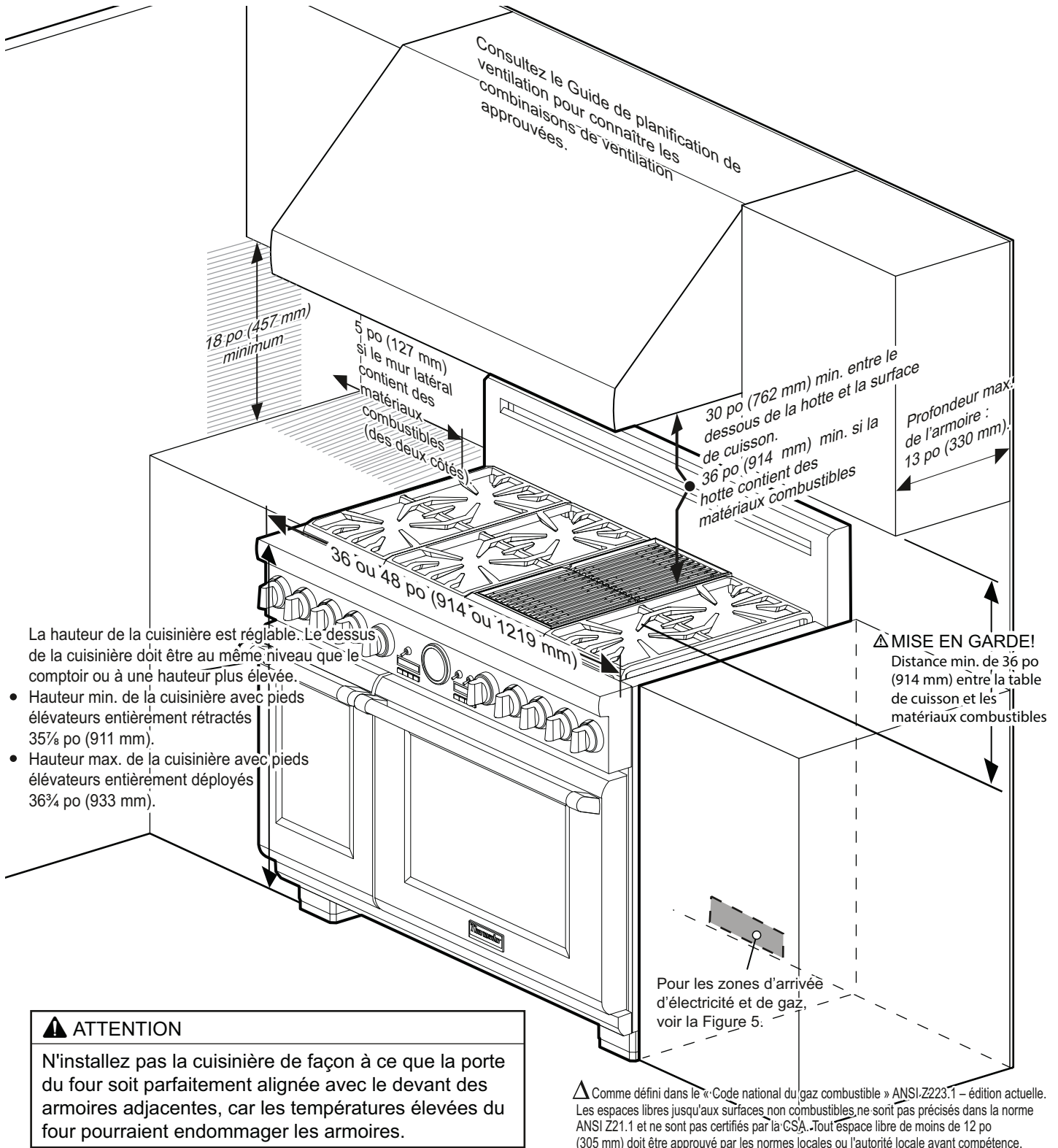
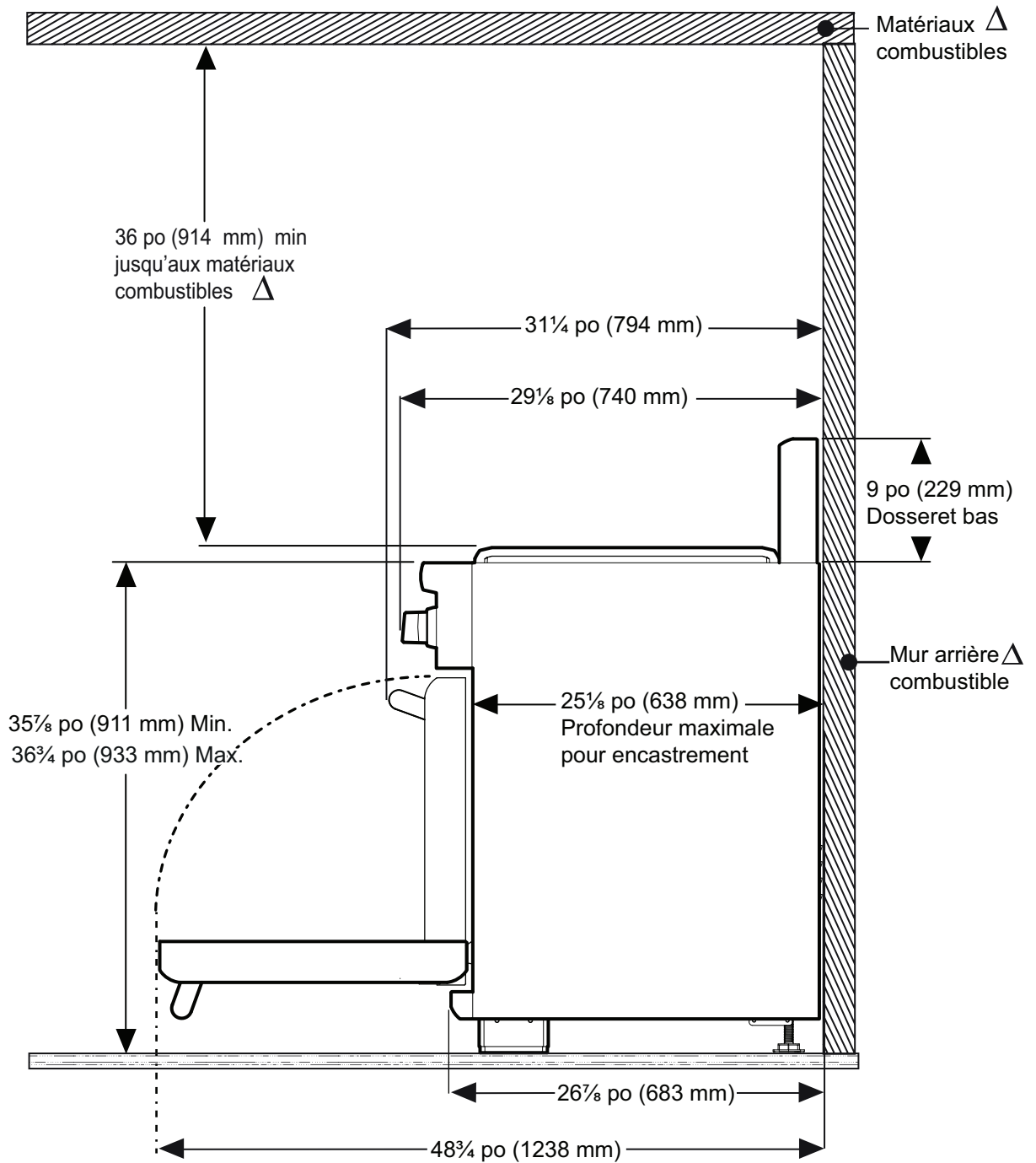


Figure 1 : Espace libre – Armoires avec dossier bas

## Installation avec dossieret bas



$\Delta$  Comme défini dans le « Code national du gaz combustible » ANSI Z223.1 – édition actuelle. Les espaces libres jusqu'aux surfaces non combustibles ne sont pas précisés dans la norme ANSI Z21.1 et ne sont pas certifiés par la CSA. Tout espace libre de moins de 12 po (305 mm) doit être approuvé par les normes locales ou l'autorité locale ayant compétence.

Figure 2 : Installation avec dossieret bas

## Installation avec garniture d'îlot incluse

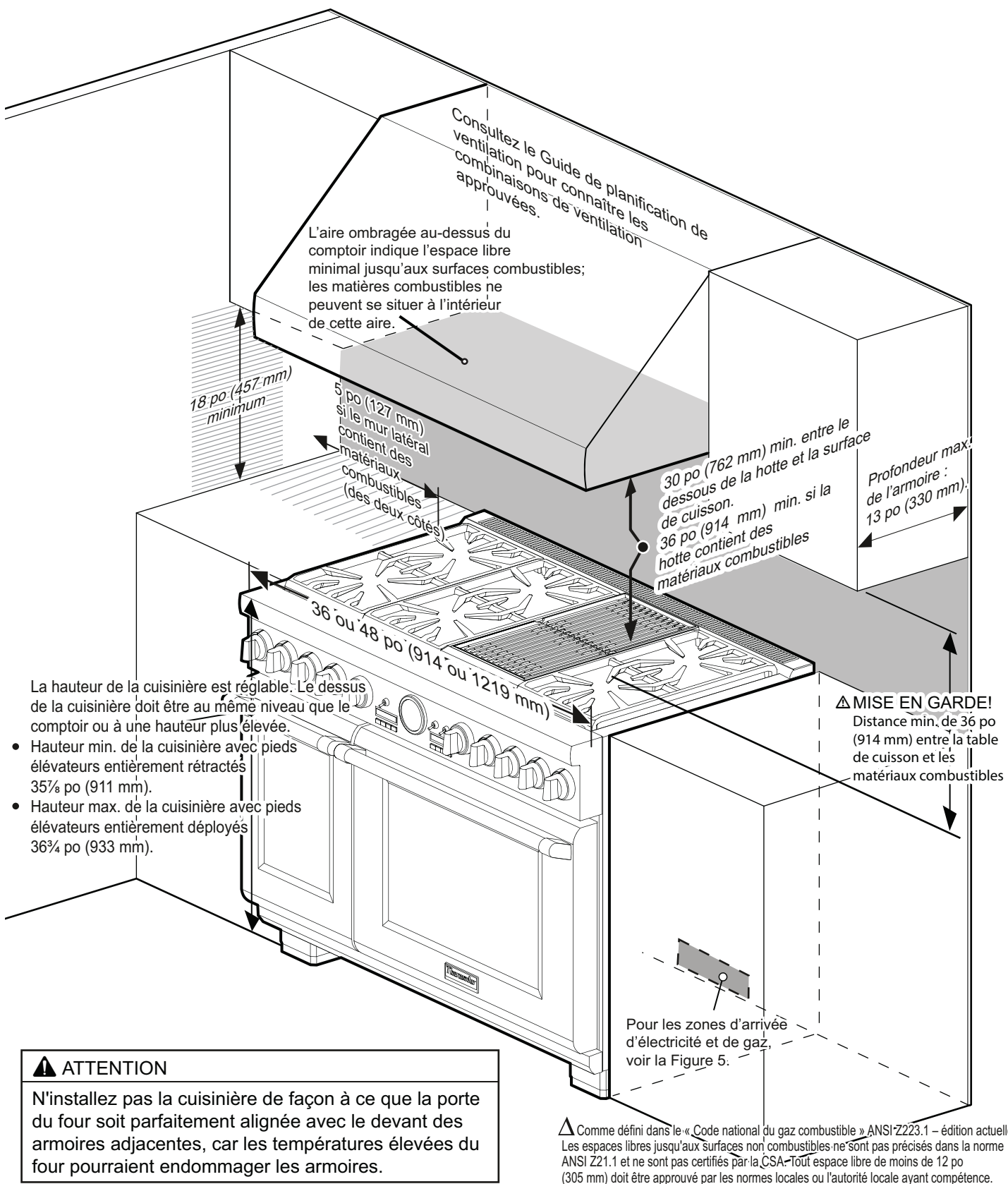
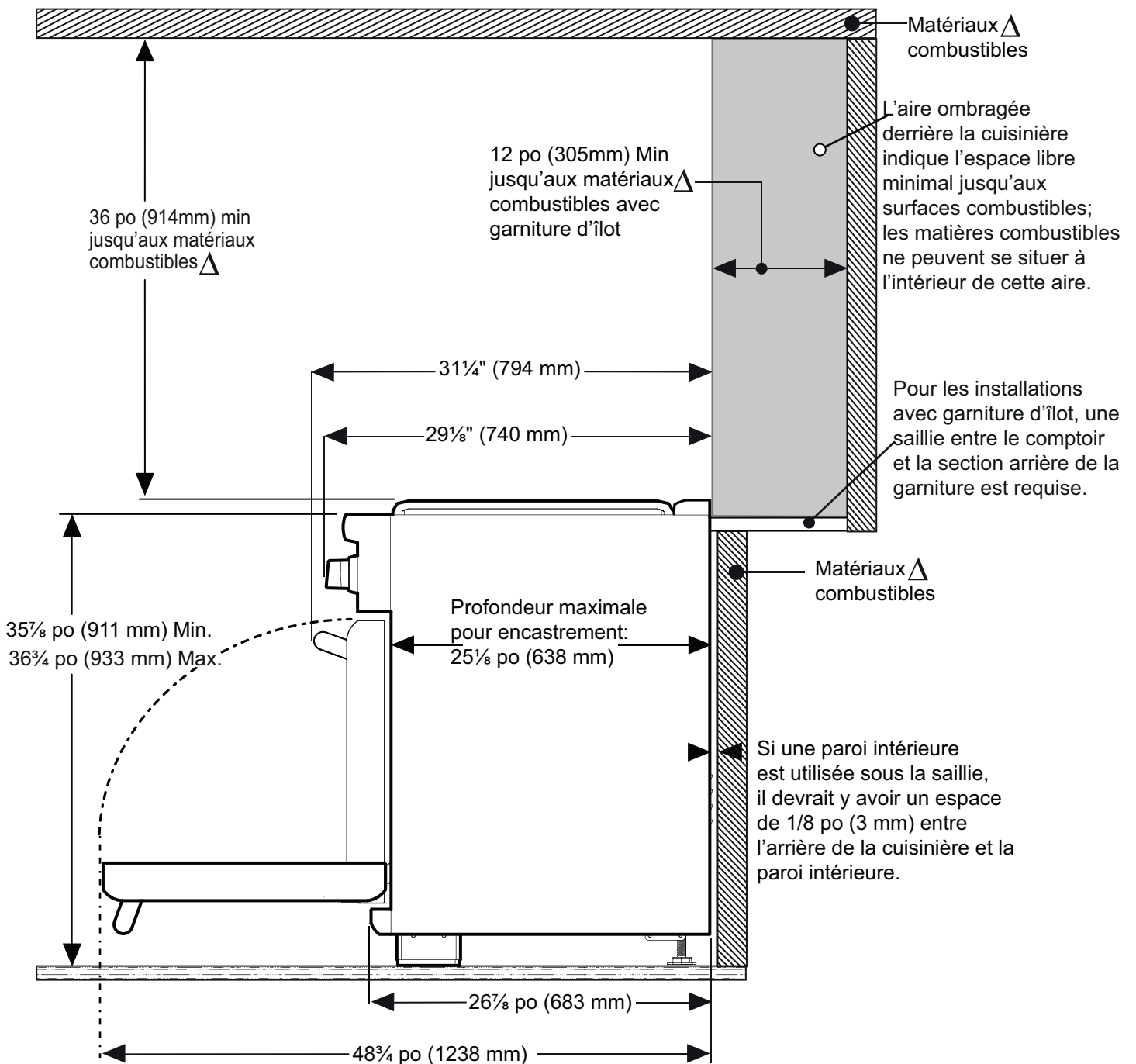


Figure 3 : Espace libre – Armoires avec garniture d'îlot incluse

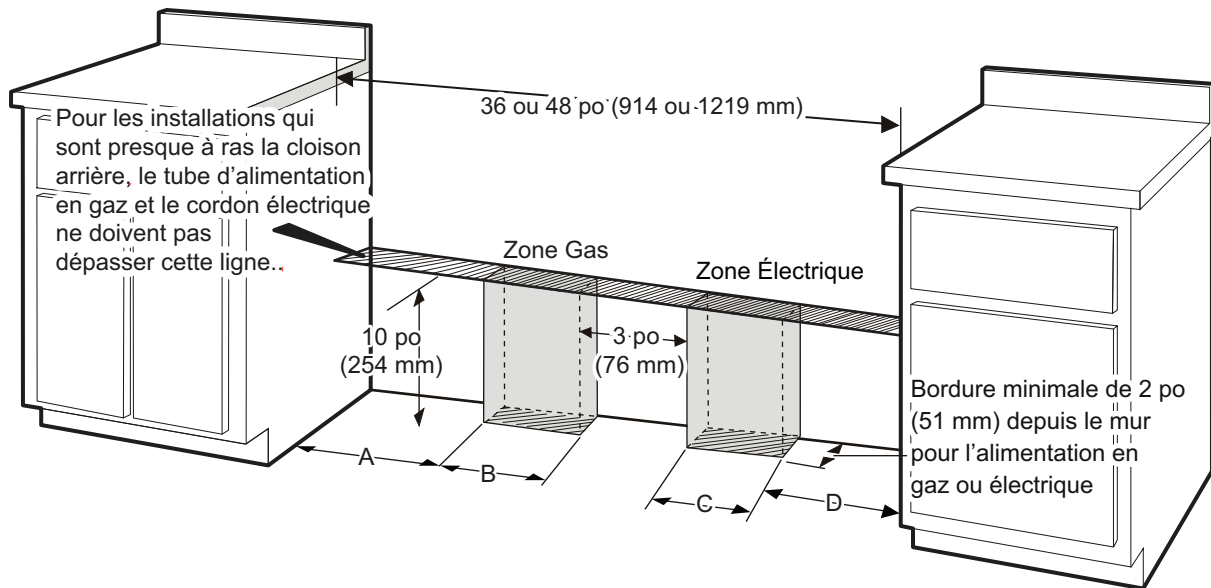
## Installation avec garniture d'îlot incluse



$\Delta$  Comme défini dans le « Code national du gaz combustible » ANSI Z223.1 – édition actuelle. Les espaces libres jusqu'aux surfaces non combustibles ne sont pas précisés dans la norme ANSI Z21.1 et ne sont pas certifiés par la CSA. Tout espace libre de moins de 12 po (305 mm) doit être approuvé par les normes locales ou l'autorité locale ayant compétence.

Figure 4 : Installation avec garniture d'îlot incluse

## Alimentation de gaz et électrique



Modèle	A	B	C	D
36 po (913 mm)	9 $\frac{1}{8}$ po (232 mm)	7 $\frac{3}{8}$ po (187 mm)	7 $\frac{3}{8}$ po (187 mm)	9 $\frac{1}{8}$ po (232 mm)
48 po (1219 mm)	23 $\frac{3}{8}$ po (587 mm)	7 po (178 mm)	7 po (178 mm)	7 $\frac{3}{8}$ po (200 mm)

Figure 5 : Emplacement des zones d'approvisionnement en gaz et d'alimentation en électricité

### NOTE :

- S'il n'y en a pas déjà une en place, installez une vanne manuelle d'arrêt de gaz à un endroit facile d'accès.
- Assurez-vous d'indiquer à tous les utilisateurs où se trouve l'approvisionnement en gaz de la cuisinière et de leur montrer comment la fermer.
- Toute ouverture dans le mur derrière l'appareil ou dans le plancher sous l'appareil doit être scellée.

La cuisinière à gaz peut être branchée à l'alimentation électrique avec le cordon d'alimentation (fourni avec la cuisinière) ou par un câblage fixe. Il est de la responsabilité de l'installateur de fournir les éléments de câblage électrique appropriés (cordon ou conduit et fils) et de procéder au raccordement au gaz conformément aux règlements et codes locaux ou au code national de l'électricité. L'appareil doit être mis à la terre adéquatement. Voir « *ÉTAPE 7 : Exigences relatives à l'alimentation électrique, au branchement et à la mise à la terre* ».

**La cuisinière doit être raccordée uniquement au type de gaz pour lequel elle est certifiée.** Si la cuisinière doit être approvisionnée en gaz propane, assurez-vous que le réservoir de propane est muni de son propre mécanisme régulateur à haute pression en plus du régulateur à haute pression de l'appareil (voir « *ÉTAPE 6 : Exigences relatives à l'approvisionnement en gaz et au raccordement* »).

**NOTE :** La cuisinière est conçue pour être presque parfaitement alignée avec le mur arrière. Pour une installation réussie, il peut être nécessaire de repositionner le tuyau d'approvisionnement en gaz et le cordon électrique lorsque la cuisinière est poussée à son emplacement définitif.

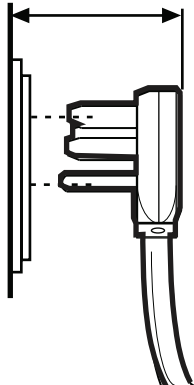
- **SUGGESTION:** Pour y arriver, nous vous suggérons de passer une corde ou une ficelle autour du tuyau ou du cordon électrique et de tirer au moment de pousser la cuisinière à son emplacement définitif.

## Alimentation électrique

L'installation de la cuisinière doit être planifiée de façon à ce que la plaque de la boîte de connexion pour la prise ou le raccord de conduit laisse un maximum d'espace libre derrière l'appareil.

Lorsque le câble d'alimentation électrique ou le conduit de câbles est branché à une prise ou à un bloc de jonction, la connexion combinée ne devrait pas dépasser de plus de deux pouces (51 mm) du mur arrière (voir *Figure 6*).

**Cordon d'alimentation et prise**  
maximum de 2 po (51 mm)  
une fois le branchement effectué



**Boîte de connexion et conduit de câbles**  
maximum de 2 po (51 mm)

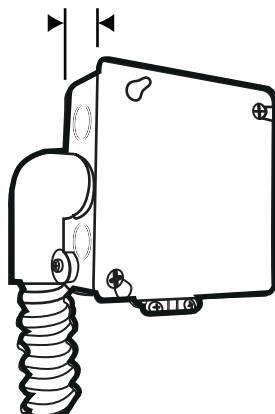


Figure 6 : Connexion murale

Pour éviter tout coincement lorsque l'appareil est branché à la prise ou à la boîte de connexion, orientez convenablement la prise ou le raccord de conduit et faites-les glisser en place.

**Remarque :** Les modèles canadiens sont dotés d'un cordon d'alimentation.

## ÉTAPE 3 : Déballage et manutention de la cuisinière

### Déballage de la cuisinière

1. Retirez le carton et le matériel d'emballage de l'appareil sur la palette, mais laissez la mousse adhésive qui recouvre les surfaces de métal brossé afin de protéger le fini contre les égratignures jusqu'à ce que la cuisinière soit installée à son emplacement définitif.

2. Enlevez la ou les portes (voir la section « *ÉTAPE 4 : Retrait et installation de la porte* »). Cela réduira considérablement le poids de l'appareil, comme le démontre le « *Tableau A* », et permettra à la cuisinière de passer dans des cadres de porte de 30 po (762 mm) (voir les espaces libres mentionnés).
3. Le poids approximatif de la cuisinière à l'expédition est indiqué au *Tableau 1, Poids de la cuisinière*. Pour faciliter la manutention de l'appareil, enlevez les grilles, la plaque chauffante, les chapeaux des brûleurs et les grilles du four. N'enlevez pas l'élément de la plaque chauffante ni l'assemblage du plateau.

	CUISINIÈRE DE 36 PO	CUISINIÈRE DE 48 PO
Poids à l'expédition	420 lbs (191 kg)	590 lbs (268 kg)
Poids sans matériel d'emballage	360 lbs (163 kg)	530 lbs (240 kg)
Poids sans porte, chapeaux de brûleurs et grilles de four	260 lbs (118 kg)	390 lbs (177 kg)

Tableau 1 : Poids de la cuisinière

### Manutention de la cuisinière

#### ⚠ ATTENTION



La cuisinière est lourde et devrait être manipulée en conséquence.

Ne pas lever l'appareil par le panneau de commande.



Pour éviter tout risque de blessure ou de dommages à l'appareil ou au plancher, la cuisinière devrait être déplacée par au moins deux personnes utilisant de l'équipement adéquat, comme des gants de protection, et ne portant pas des bagues, des montres ou tout autre objet semblable pouvant endommager l'appareil ou s'y accrocher.

Les surfaces cachées de l'appareil peuvent comporter des saillies coupantes. Faites attention lorsque vous prenez l'appareil par le dessous ou que vous le tirez.

N'utilisez pas un charriot manuel ou à électroménager à l'avant ou à l'arrière de l'appareil. Manipulez-le seulement sur les côtés.



En raison du poids de la cuisinière, il vaut mieux la déplacer à l'aide d'une plate-forme à roulettes souples ou d'un appareil de levage. Le poids doit être uniformément réparti sur la plate-forme.

Toutes les cuisinières sont fixées à une palette à travers un bloc de bois central à l'aide de quatre (4) boulons. Les deux boulons frontaux de la palette ne sont accessibles que lorsque la garniture de porte, située sous la porte, a été enlevée.

1. Pour enlever la garniture de la porte, desserrez les deux vis qui la retiennent à la cuisinière, puis faites-la glisser vers le haut.

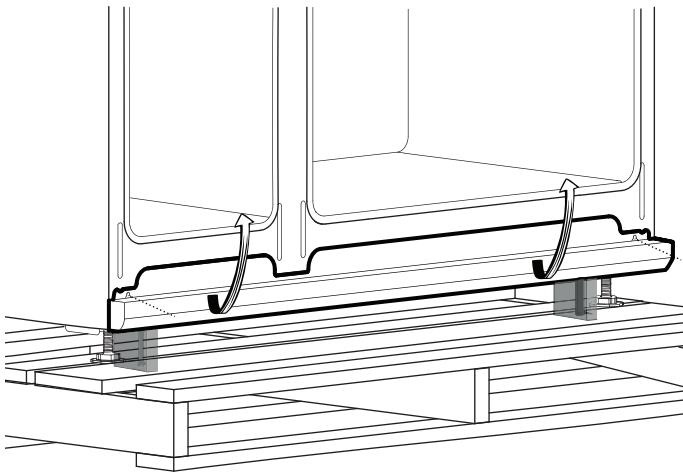


Figure 7 : Enlever la garniture de la porte

2. Une fois que vous avez enlevé les boulons de la palette à l'aide de deux clés de 0,5 po (12,7 mm) – une pour retenir le boulon du dessous, l'autre pour desserrer l'écrou du dessus –, vous pouvez soulever la cuisinière et enlever la palette.

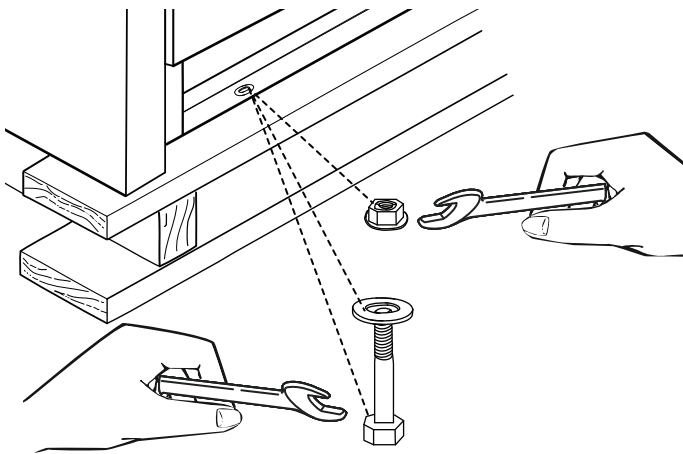


Figure 8 : Enlèvement des boulons de transport

3. **Modèles PRDS48JDSGU/C** : Pour avoir accès au boulon de la palette situé derrière le tiroir chauffant, atteignez le boulon situé en haut et derrière la structure de l'appareil et tenez-le en place à l'aide d'une clé de 1/2 po (voir Figure 9). Utilisez une deuxième clé pour desserrer le boulon situé en bas. **N'enlevez PAS le tiroir chauffant.**

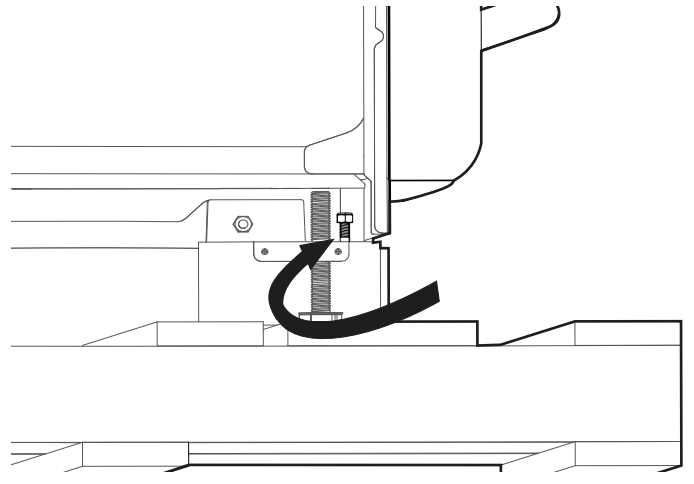


Figure 9 : Retirez le boulon de palette

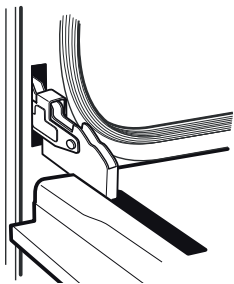
4. Soulevez la cuisinière et retirez-la de la palette. Demandez de l'aide au besoin pour la retirer de la palette.
5. Avec un chariot (diable), déplacez la cuisinière près de l'endroit où vous comptez l'installer. Ne transportez pas la cuisinière en appuyant la partie avant sur le diable.
6. **PROTÉGEZ LE PLANCHER SOUS LES PIEDS AVANT DE METTRE LA CUISINIÈRE EN PLACE.**
  - Suivez les instructions des sections 5 – 8 avant de mettre la cuisinière à son emplacement final.

## ÉTAPE 4 : Retrait et installation de la porte

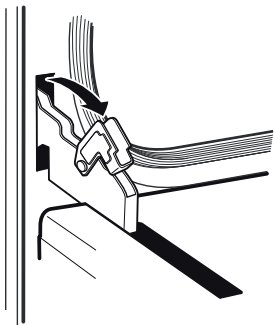
### ▲ MISE EN GARDE

- FAITES ATTENTION LORSQUE VOUS ENLEVEZ LA PORTE. ELLE EST TRÈS LOURDE.
- Pour éviter tout risque de brûlure ou de décharge électrique, assurez-vous que le four est froid et que l'alimentation électrique est coupée avant d'enlever la porte du four.
- La porte est lourde et fragile. Utilisez vos deux mains pour l'enlever ou la remettre en place.
- Si vous ne saisissez pas la porte fermement et adéquatement, vous pourriez endommager l'appareil ou vous blesser.
- Lorsque la porte est enlevée, ne lâchez jamais la poignée pour essayer de fermer les charnières. Sans le poids de la porte, les puissants ressorts des charnières se refermeront avec beaucoup de force.

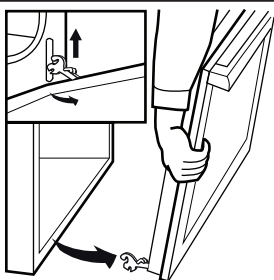
### Retrait de la porte



1. Assurez-vous de lire la mise en garde ci-dessus avant d'enlever la porte.
2. Ouvrez complètement la porte.



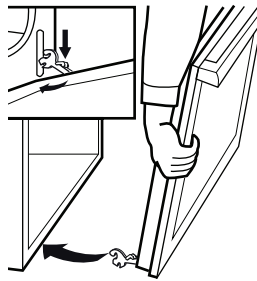
3. Rabattez les griffes à charnières vers le bas. Vous pourriez avoir besoin d'un tournevis pour les faire basculer.
4. Fermez la porte doucement jusqu'à ce qu'elle repose contre les griffes à charnières. Lorsque celles-ci sont en position ouverte, la porte reste ouverte à un angle fermé environ à 30° par rapport à sa position fermée.



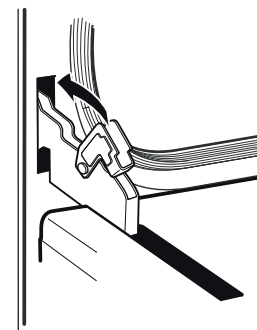
5. Prenez la porte par les extrémités et soulevez-la. Les ressorts offriront une certaine résistance.
6. Soulevez doucement la porte pour la faire sortir des fentes.
7. Placez la porte à un endroit sûr et stable.

Figure 10 : Trait de la porte

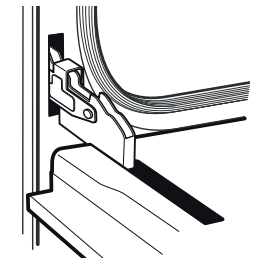
### Réinstallation de la porte



1. Prenez la porte fermement avec vos deux mains.
2. Tenez la porte à un angle de 30° par rapport à sa position fermée. Insérez les charnières en les centrant dans les fentes. Lorsque vous les installez convenablement, elles s'enclenchent solidement dans les fentes. Ne forcez pas et ne pliez et ne tordez pas la porte.



3. Ouvrez complètement la porte pour exposer les charnières, les leviers et les fentes.
4. Faites basculer les charnières vers l'avant et vers le bas jusqu'à ce qu'elles reposent dans les fentes. Vous pourriez avoir besoin d'un tournevis pour remettre les griffes à charnière en place.



5. Fermez et ouvrez la porte pour vous assurer qu'elle est installée correctement.

Figure 11 : Réinstallation de la porte

### Vérification de l'installation et du fonctionnement de la porte

1. Ouvrez et fermez la porte lentement pour vous assurer qu'elle bouge normalement et qu'elle s'adapte bien à la cavité du four. Ne forcez pas pour l'ouvrir ou la fermer. Si la porte est bien installée, elle devrait être facile à ouvrir et être alignée avec le devant du four lorsqu'elle est en position fermée.
2. La cuisinière doit être bien nivelée pour que les portes du four s'alignent correctement. Voir "ÉTAPE 9 : Mise en place et nivelage de la cuisinière".
3. Si la porte ne fonctionne pas correctement, assurez-vous que les charnières sont bien appuyées dans les fentes et que les griffes à charnières sont bien installées au fond des fentes.

- Si la porte ou la poignée semble légèrement inclinée d'un côté ou de l'autre, vous pouvez ajuster l'inclinaison en vissant ou dévissant à l'aide d'un grand tournevis Torx T-20 la vis Torx de la charnière, située directement au-dessus de la fente de la charnière. Tournez la vis jusqu'à ce que la porte soit correctement alignée (Figure 12).

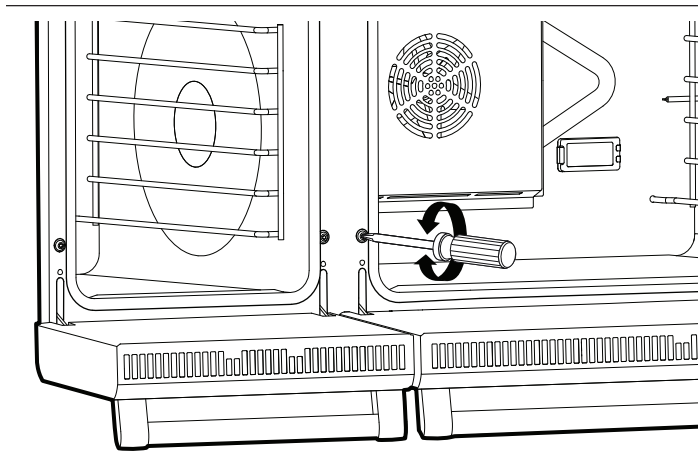


Figure 12 : Vis d'ajustement des charnières

**Note :** La porte du four à vapeur n'est pas réglable.

### Ajustement de l'avant du tiroir chauffant

- Pour ajuster l'angle d'inclinaison du tiroir chauffant de façon à ce que l'avant soit de niveau avec la face avant de la porte du four à vapeur, desserrez les deux (2) vis sur les deux côtés du tiroir chauffant. Serrez les vis.
- Pour ajuster verticalement et horizontalement les portes afin de vous assurer que les espaces sont les mêmes entre chacune d'elles, desserrez les quatre (4) vis situées sur les côtés de la porte du tiroir chauffant. Ajustez latéralement la porte du tiroir chauffant de façon à ce qu'elle soit alignée avec la porte du four à vapeur. Lorsque tous les espaces sont égaux, serrez les vis.

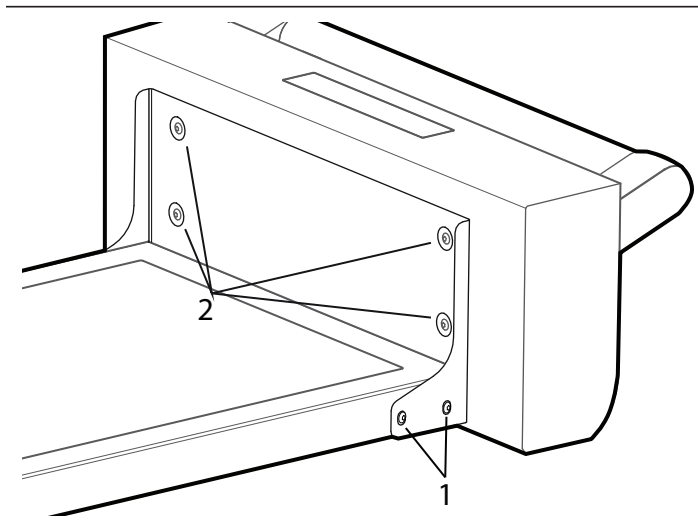


Figure 13 : Ajustement de l'avant du tiroir chauffant

## ÉTAPE 5 : Installation du dispositif anti-bascule

### ⚠ ATTENTION



#### DANGER DE BASCULEMENT :

- Toutes les cuisinières peuvent basculer et causer une blessure. Pour éviter le basculement accidentel de la cuisinière, fixez-la au sol au moyen du dispositif anti-basculé fourni.
- L'appareil risque de basculer si le dispositif n'est pas installé conformément aux présentes instructions. Pour toutes les cuisinières, un dispositif anti-basculé doit être installé conformément aux présentes instructions.
- Un enfant ou un adulte pourrait faire basculer l'appareil et perdre la vie.
- Ne faites pas fonctionner l'appareil si le support anti-basculé n'est pas installé et qu'il ne retient pas l'appareil. La non-observation de ces instructions peut entraîner la mort ou causer de graves brûlures à des enfants ou des adultes.

En déplaçant la cuisinière pour la nettoyer, la réparer ou pour toute autre raison, assurez-vous qu'elle s'est bien enclenchée dans le dispositif anti-basculé lorsque vous la remettez en place. Autrement, si l'appareil est utilisé de façon anormale (par exemple, si quelqu'un monte, s'assoie ou s'appuie sur une porte ouverte), la cuisinière risque de basculer. Le basculement de la cuisinière ou d'un liquide chaud se trouvant sur la surface de cuisson pourrait causer des blessures corporelles.

### ATTENTION - DOMMAGES À LA PROPRIÉTÉ:

- Communiquez avec un installateur ou un entrepreneur qualifié pour déterminer la méthode convenable à adopter pour percer des trous dans le revêtement des murs ou du plancher (comme des tuiles de céramique, du bois dur, etc.)
- Ne faites pas glisser la cuisinière sur un plancher non protégé.
- Si vous ne respectez pas ces instructions, vous risquez d'endommager les murs ou le plancher.

NO DE PIÈCE – THERMADOR	QTÉE	DESCRIPTION
00415078	4	Vis Phillips no 10 x 1-½ po (38,1 mm)
00655322	1	Support anti-basculé, installation au plancher

### Informations importantes concernant l'installation:

- Si le support anti-bascule est fixé à une armoire en bois massif, celle-ci doit être d'une épaisseur minimale de 3/4 po (19 mm).
- Selon l'épaisseur du mur ou du plancher, il se peut que vous ayez à utiliser des vis plus longues, en vente chez votre quincaillier.
- Utilisez des ancrages appropriés lorsque vous fixez le support à une surface autre que du bois dur ou du métal.
- Dans tous les cas, vous devez utiliser au moins deux vis de montage pour fixer le support anti-bascule au plancher, ou deux vis de montage (ou ancrages pour cloison sèche) pour le fixer au mur situé derrière l'appareil (voir *Figure 14* et *Figure 15*).

### Préparation de l'ouverture pour l'installation

- Pour les murs, les montants de cloison ou les planchers en bois massif ou en métal, percez des trous de guidage de 1/8 po (3,17 mm).
- Pour les murs ou les planchers en gypse ou tout autre matériau mou, percez des trous de 3/16 po (4,76 mm) à une profondeur minimale de 1-3/4 po (44 mm). Enfoncez ensuite les ancrages en plastique dans tous les trous à l'aide d'un marteau.
- Pour les murs ou les planchers en béton ou en blocs en béton, percez des trous de 3/16 po (4,76 mm) à une profondeur minimale de 1-3/4 po (44 mm). Enfoncez ensuite les ancrages à béton dans tous les trous à l'aide d'un marteau.
- Pour les murs ou les planchers revêtus de tuiles de céramique, percez des trous de 3/16 po (4,76 mm) dans les tuiles seulement. Percez ensuite le matériau sous les tuiles comme indiqué ci-dessus.

#### ⚠ AVERTISSEMENT

##### RISQUE DE DÉCHARGE ÉLECTRIQUE:

- Soyez très prudent lorsque vous percez des trous dans le mur ou le plancher, car des fils électriques peuvent s'y trouver.
- Identifiez les circuits électriques pouvant se trouver à l'endroit où le dispositif anti-bascule sera installé et coupez l'alimentation électrique de ces circuits.
- Si vous ne respectez pas ces instructions, vous pourriez recevoir une décharge électrique ou vous blesser.

### Installation du support anti-bascule

1. Placez le support sur le plancher près du centre de l'endroit où l'appareil sera installé (*Figure 14*).

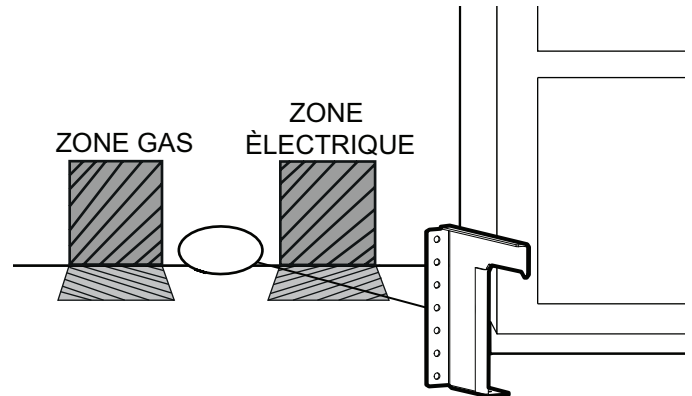


Figure 14 : Emplacement du support anti-bascule

2. Fixez-la au sol et au montant du mur à l'aide des quatre (4) vis cruciformes de 1,5 po (38 mm) fournies.
3. Ensuite, lorsque l'appareil est installé, les pattes ajustables permettront à la base moulée de glisser sous le crochet du support et de stabiliser l'appareil.

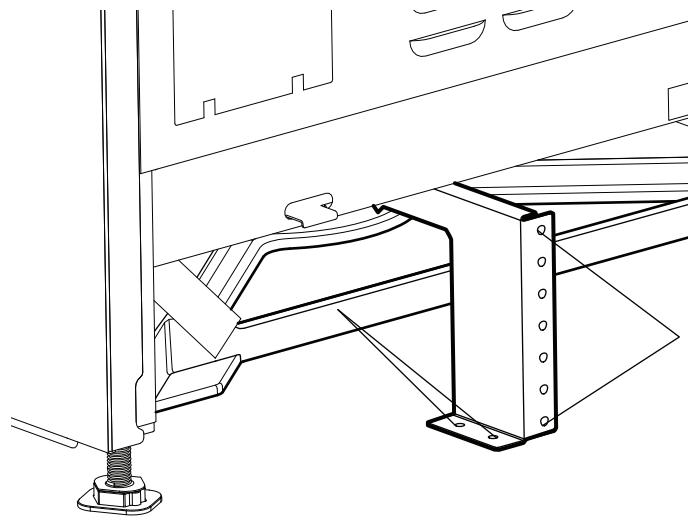


Figure 15 : Support anti-bascule

4. Si l'appareil est installé à un nouvel endroit, le dispositif anti-bascule doit y être réinstallé.

## ÉTAPE 6 : Exigences relatives à l'approvisionnement en gaz et au raccordement

Vérifiez le type de gaz utilisé sur le lieu d'installation. Assurez-vous que la cuisinière est configurée pour le type de gaz disponible à l'endroit où elle est installée. Lorsqu'il sort de l'usine, l'appareil est configuré pour être utilisé avec du gaz naturel. Il doit être converti pour être utilisé avec du gaz propane.

**Appareils au gaz naturel** - Pour une installation de l'appareil à une altitude 2000 pi (610 m) au-dessus du niveau de la mer. Au-dessus du niveau de la mer, une trousse de conversion pour haute altitude est requise et disponible par le biais du service à la clientèle de Thermador (numéro de série – 00746376). Un professionnel certifié doit procéder à l'installation de la trousse de conversion pour haute altitude.

**Appareils au gaz propane (GPL)** - L'appareil doit d'abord être converti au gaz propane (GPL) avant d'être converti pour une utilisation à haute altitude. Une trousse de conversion au gaz propane (GPL - numéro de série 00645617) est requise et disponible par le biais du service à la clientèle de Thermador. Pour une installation de l'appareil à une altitude 2000 pi (610 m) au-dessus du niveau de la mer (numéro de série – 00746376). Un professionnel certifié doit procéder à l'installation de la trousse de conversion pour haute altitude et à l'installation de la trousse de gaz propane (GPL).

### EXIGENCES POUR LE GAZ NATUREL

<b>Raccord d'entrée</b>	NPT ¾ po (19 mm) externe NPT ½ po (12,7 mm) interne (tuyau flexible – ¾ po de diamètre min.)
-------------------------	--

<b>Pression d'alimentation</b>	6 po min. à 14 po max. (14,9 mb à 34,9 mb) de colonne d'eau
--------------------------------	---

<b>Pression du collecteur</b>	5 po (12,5 mb) de colonne d'eau
-------------------------------	---------------------------------

### EXIGENCES POUR LE GAZ PROPANE

<b>Raccord d'entrée</b>	NPT ¾ po (19 mm) externe NPT ½ po (12,7 mm) interne (tuyau flexible – ¾ po de diamètre min.)
-------------------------	--

<b>Pression d'alimentation</b>	11 po min. à 14 po max. (27,4 mb à 34,9 mb) de colonne d'eau
--------------------------------	--

<b>Pression du collecteur</b>	10 po (24,9 mb) de colonne d'eau
-------------------------------	----------------------------------

## Raccordement

Un technicien compétent devrait brancher les raccords du tuyau d'approvisionnement en gaz, conformément aux codes ou aux règlements locaux. S'il n'y a pas de code local, l'installation doit être conforme à la norme américaine sur le gaz combustible ANSI Z223.1/ NFPA54, édition actuelle.

1. Une vanne d'arrêt manuel d'approvisionnement en gaz doit être installée à un endroit accessible à l'avant de l'appareil. Le tuyau d'arrivée du gaz ne doit pas interférer avec la partie arrière de l'appareil.

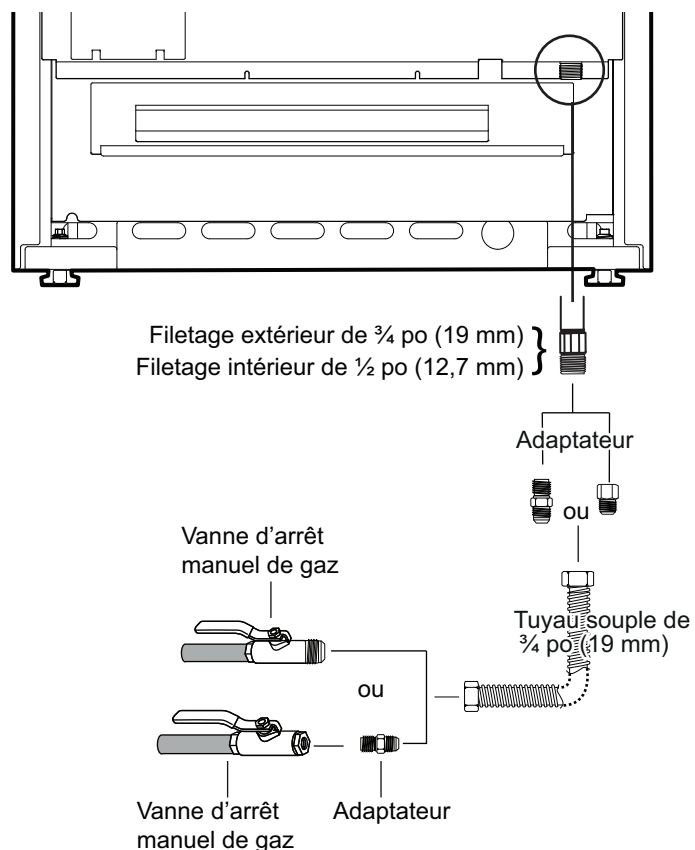


Figure 16 : Raccordement à l'approvisionnement de gaz

- La cuisinière est fournie avec un régulateur de pression non amovible qui a été fixé de façon permanente à l'intérieur de l'appareil.
2. Utilisez un tuyau à gaz souple de ¾ po (19 mm) entre l'approvisionnement en gaz et le tuyau d'arrivée de l'appareil. Le filetage externe du tuyau d'arrivée de gaz de l'appareil est de type NPT ¾ po (19 mm) et le filetage interne est de type NPT ½ po (13 mm) (voir Figure 16).
    - Prenez garde de ne pas serrer le tuyau souple de ¾ po (19 mm) en le pliant.

- La longueur recommandée pour le tuyau souple est de 48 po (1219 mm). Veuillez toutefois consulter les codes locaux pour en connaître les exigences avant de procéder à l'installation.

#### ⚠ AVERTISSEMENT

N'enlevez pas la plaque arrière de la cuisinière. Elle ne doit être retirée que par un préposé à l'entretien autorisé.

3. Utilisez toujours un scellant à tuyau ou du ruban Teflon<sup>mc</sup> sur les filets des tuyaux et assurez-vous de ne pas trop forcer en serrant les raccords. N'appliquez pas du mastic de jointement ou du ruban pour élargir les raccords. Prenez garde de ne pas appliquer trop de pression lorsque vous serrez les raccords.
4. Les tests de fuite de l'appareil doivent toujours être réalisés conformément aux instructions suivantes :
  - Ouvrez le gaz et assurez-vous qu'il n'y a pas de fuites à l'aide d'une solution savonneuse.
  - Des bulles indiquent la présence d'une fuite. Réparez toute fuite immédiatement après l'avoir repérée.

#### ⚠ AVERTISSEMENT

N'utilisez pas de flamme pour vérifier les fuites de gaz.

L'installateur est responsable de s'assurer que l'installation, le raccordement au gaz et la mise à la terre sont faits conformément à tous les codes en vigueur.

L'appareil et sa vanne d'arrêt individuelle doivent être débranchés du système d'approvisionnement en gaz pendant tous les tests de pression du système si la pression de ces tests est égale ou supérieure à ½ psi (3,5 kPa).

Pour la vérification de la pression de gaz du collecteur, la pression d'entrée du détendeur doit être au moins de 6 po (14,9 mb) de colonne d'eau pour le gaz naturel ou de 11 po (7,4 mb) de colonne d'eau pour le propane.

#### ⚠ ATTENTION

Lorsque vous branchez l'appareil au tuyau d'approvisionnement en gaz propane, assurez-vous que le réservoir de propane est muni de son propre mécanisme régulateur à haute pression en plus du régulateur à haute pression de l'appareil. La pression de gaz de cet appareil ne devrait pas excéder 14,0 pouces (34,9 Mb) de colonne d'eau entre le réservoir de propane et le régulateur à haute pression.

#### ⚠ AVERTISSEMENT

L'appareil doit être isolé du système d'approvisionnement en gaz en fermant la vanne d'arrêt manuel pendant les tests de pression des tuyaux d'approvisionnement en gaz si ces pressions sont égales ou inférieures à ½ psi (3,5 kPa).

## ÉTAPE 7 : Exigences relatives à l'alimentation électrique, au branchement et à la mise à la terre

Modèle	Tension	Courant Nominal	Fréquence	Phase
36 po	240/208 VAC	40 Ampères	60 Hz	Monophasé
48 po	240/208 VAC	50 Ampères	60 Hz	Monophasé

Tableau 2 : Exigences pour les circuits d'alimentation électrique

Avant de procéder à l'entretien de l'appareil, débranchez toujours le cordon d'alimentation électrique de la prise murale, s'il y a lieu. Si l'appareil est branché à l'alimentation électrique à l'aide d'un raccordement fixe, coupez l'alimentation de l'appareil à même le disjoncteur ou le fusible auquel il est branché. Verrouillez le panneau de service pour empêcher sa mise en circuit accidentelle.

Un fil d'alimentation neutre doit être installé à partir de la source d'électricité (disjoncteur/panneau de fusibles), car certains éléments de la cuisinière, dont le module de production d'étincelle des brûleurs de la table de cuisson, doivent être branchés sur du 120 VAC pour fonctionner de façon sécuritaire.

#### ⚠ AVERTISSEMENT

Une mauvaise alimentation électrique de 240/208 VAC entraînera des dysfonctionnements, endommagera la cuisinière et pourrait présenter des risques d'électrocution.

Si le circuit électrique n'est pas adéquat, il est de la responsabilité et de l'obligation de l'installateur et de l'utilisateur de s'assurer qu'une installation correcte et conforme à la réglementation locale en vigueur est réalisée par un électricien qualifié. Il est également de la responsabilité de l'installateur de s'assurer que les codes locaux sont respectés. S'il n'y a pas de réglementation

locale, le branchement électrique doit être conforme au code national de l'électricité.

La mise à la terre doit être conforme à tous les règlements en vigueur. Sinon, la norme américaine d'électricité ANSI/ NFPA No 70 actuelle doit être appliquée. Consultez les renseignements apparaissant dans la présente section (Étape 7) pour connaître la méthode de mise à la terre à utiliser.

Les schémas de câblage électrique à l'intention d'un technicien qualifié se trouvent derrière la garniture de porte de l'appareil (voir *Figure 36 à la page 54*).

Les cuisinières doivent être branchées à une alimentation électrique de 240/208 VAC.

Les cuisinières mixtes doivent être branchées à l'alimentation électrique en ayant recours à l'une des méthodes suivantes. Pour toutes les méthodes de connexion, la longueur du cordon ou du câblage et du conduit de câbles doit permettre le retrait total de l'appareil hors de l'armoire sans qu'il soit nécessaire de le débrancher. La longueur minimale recommandée pour le cordon ou le conduit est de quatre pieds. Les installations électriques et la mise à la terre doivent être conformes à tous les règlements et codes locaux, ou au code national d'électricité, s'il y a lieu.

## Connexion Permanente

### ▲ AVERTISSEMENT

Une connexion inadéquate du câble électrique en aluminium peut présenter un risque de décharge électrique. N'utilisez que des connecteurs conçus et certifiés pour la connexion d'un câble en aluminium.

Les appareils peuvent être branchés directement à l'alimentation. L'installateur doit fournir un conduit en aluminium flexible approuvé, format ¾ po (19 mm), d'une longueur minimale de 6 pieds (1,8 mètre).

Localisez le bloc de jonction à l'arrière de l'appareil et enlevez le couvercle (consultez la *Figure 17*). Le conduit doit être fixé à la boîte de connexion à l'aide d'un connecteur de conduit approuvé. L'extrémité libre du conduit de câbles doit être branchée à un bloc de jonction installé dans la zone d'alimentation électrique, comme illustré sur la *Figure 5 à la page 38*.

Installez une bride de cordon (non fourni) dans le trou de 1 po (25,4 mm) de diamètre situé sous le bloc de jonction (voir *Figure 17*). Le câblage de l'appareil doit être acheminé au bloc de jonction par le conduit et à travers la bride de cordon. Les extrémités des fils doivent être munies de cosses en boucle de ¼ po, préférablement soudées sur place. Faites les connexions au bloc de jonction fourni.

Instructions d'installation

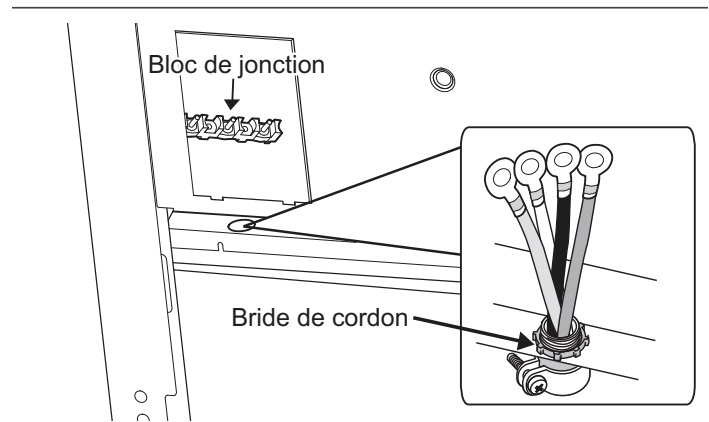
Si un câble d'alimentation en aluminium est utilisé dans l'installation, épissez le câble d'aluminium et le fil de cuivre pour qu'ils s'adaptent à la cuisinière en utilisant des connecteurs spécialement conçus et certifiés pour joindre des fils de cuivre et d'aluminium. Suivez la procédure d'installation recommandée par le fabricant du connecteur.

## Connexion à quatre fils

Normalement, un appareil doit être branché à l'alimentation avec un cordon à 4 conducteurs, tripolaire, coté 125/250 volts, 50 ampères et conçu pour être utilisé avec une cuisinière.

Le cordon doit être fixé au bloc de jonction de la cuisinière avec un réducteur de tension s'adaptant à un trou de 1 po (25,4 mm) de diamètre. Si ce n'est pas le cas, le cordon doit être muni de cosses en boucle fermée de ¼ po (6 mm) fixées aux extrémités libres des conducteurs individuels, préférablement soudés sur place.

1. Repérez le bloc de jonction à l'arrière de l'appareil et enlevez le couvercle (voir *Figure 17*).
2. Enlevez seulement les écrous supérieurs des plots du bloc de jonction. N'enlevez pas les écrous qui maintiennent les fils de câblage internes de la cuisinière.
3. Installez une bride de cordon (non fournie avec la cuisinière) dans le trou de 1 po (25,4 mm) de diamètre situé sous le bloc de jonction, dans le panneau arrière (voir *Figure 17*). Faites passer les fils par la bride de cordon.



**Figure 17 : Emplacement de la bride de cordon**

4. Fixez le fil neutre mis à la terre du circuit d'alimentation au plot central du bloc de jonction avec un écrou (voir la *Figure 18*).
5. Fixez les fils de sortie L1 (rouge) et L2 (noir) aux plots du bloc de jonction extérieur (couleur laiton) avec des écrous.
6. Enlevez la vis verte du connecteur de terre située sous le bloc de jonction. Jetez le fil blanc.

7. Fixez le connecteur de terre en cuivre au châssis de la cuisinière à l'aide de la vis de mise à la terre précédemment utilisée avec le fil blanc. Assurez-vous que les bornes neutre et de terre ne se touchent pas.
8. Serrez bien toutes les connexions.

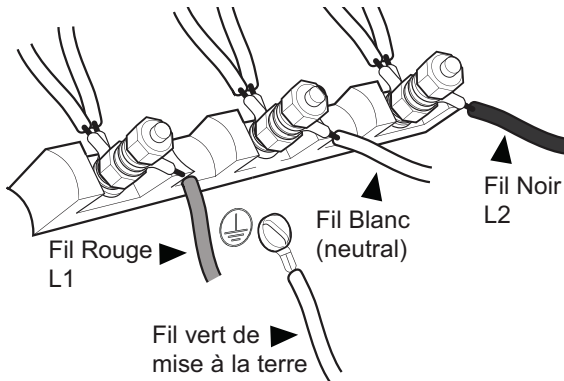


Figure 18 : Connexion à quatre fils

9. Réinstallez le couvercle du bloc de jonction.

**INSTALLATEUR :** Montrez au propriétaire l'emplacement du coupe-circuit ou du fusible. Notez l'emplacement à des fins de référence.

## Connexion à trois fils

Lorsque les codes et règlements locaux permettent la mise à la terre par le fil neutre et que la conversion de l'alimentation à 4 fils est irréalisable, l'appareil peut être branché à l'alimentation électrique avec un cordon à 3 conducteurs, tripolaire, coté 125/250 volts, 50 ampères et conçu pour être utilisé avec une cuisinière.

Le cordon doit être fixé au bloc de jonction de la cuisinière avec un réducteur de tension s'adaptant à un trou de 1 po (25,4 mm) de diamètre. Si ce n'est pas le cas, le cordon doit être muni de cosses en boucle fermée de ¼ po (6 mm) fixées aux extrémités libres des conducteurs individuels, préférablement soudés sur place.

1. Repérez le bloc de jonction à l'arrière de l'appareil et enlevez le couvercle (voir Figure 19).
2. Enlevez seulement les écrous supérieurs des plots du bloc de jonction. N'enlevez pas les écrous qui maintiennent les fils de câblage internes de la cuisinière.
3. Installez une bride de cordon (non fournie avec la cuisinière) dans le trou de 1 po (25,4 mm) de diamètre situé sous le bloc de jonction, dans le panneau arrière (voir Figure 19). Faites passer les fils par la bride de cordon.

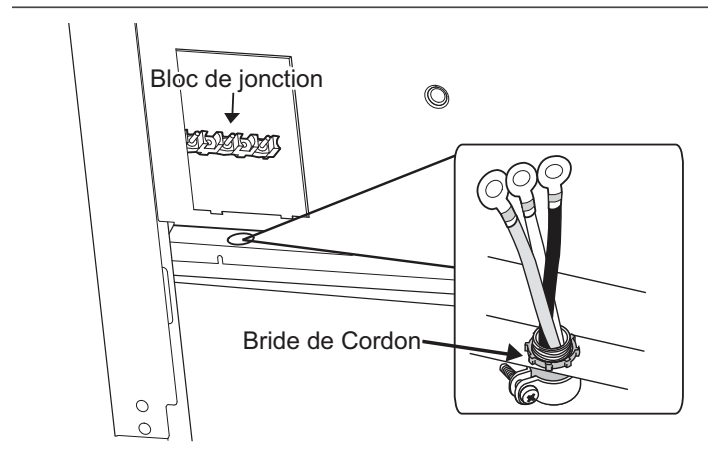


Figure 19 : Emplacement de la bride de cordon

4. Fixez le fil neutre mis à la terre du circuit d'alimentation au plot central (de couleur argent) du bloc de jonction (consultez la Figure 20).
5. Fixez les fils de sortie L1 (rouge) et L2 (noir) aux plots correspondants du bloc de jonction extérieur (couleur laiton).
6. Fixez l'une des extrémités du fil neutre monté en boucle, situé sous le bloc de jonction, au plot central du bloc de jonction avec un écrou et vissez l'autre extrémité du fil au dos de la cuisinière.
7. Serrez bien les écrous.

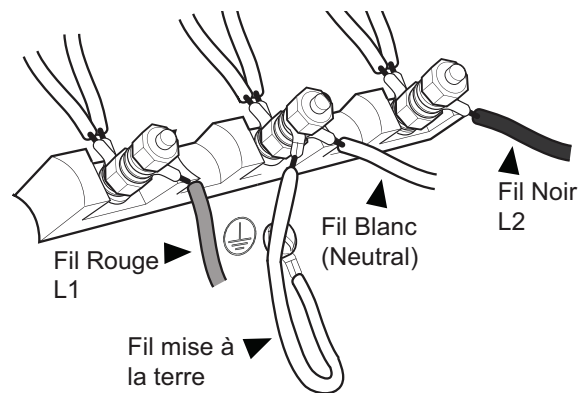


Figure 20 : Connexion à trois fils

8. Réinstallez le couvercle du bloc de jonction.

**INSTALLATEUR :**

Montrez au propriétaire l'emplacement du coupe-circuit ou du fusible. Notez l'emplacement à des fins de référence.



## ÉTAPE 8 : Installation du dossieret (optionnel)

Modèle	Dossieret Bas	Garniture d'îlot encastrée
36 po	PA36JLBG	Inclus avec la cuisinière
48 po	PA48JLBG	Inclus avec la cuisinière
48 po Steam	PA48JLBSG	Inclus avec la cuisinière



Tableau 3 : Numéro de modèle de dossieret

### ▲ AVERTISSEMENT

Vous pourriez vous pincer les doigts ou les mains et vous blesser gravement lors de l'installation de cet accessoire. Soyez très prudent et portez des gants protecteurs épais pour éviter toute coupure ou lacération des doigts ou des mains lorsque vous faites glisser le dossieret en place.

Les méthodes d'installation varient selon les besoins. Avant de commencer, lisez attentivement ces instructions. Respectez tous les codes et règlements locaux.

### Installation du dossieret de protection (PA[30,36,48]JBS)

PIÈCES INCLUSES	OUTILS REQUIS
 10 – vis de 1 po (25,4 mm)	Tournevis ou pointe Phillips
 1 – dossieret de protection	Ruban à mesurer

### ▲ AVERTISSEMENT

Pour réduire les risques d'incendie ou de blessures corporelles, assurez-vous que tout le matériel d'emballage a été retiré des accessoires avant de les utiliser.

Le dossieret de protection doit être installé avant le montage d'une hotte, car le pavillon de la hotte couvrira les vis de montage supérieures du dossieret de protection.

Pour protéger le dossieret de protection contre les égratignures, laissez la pellicule de protection qui le recouvre jusqu'à ce que vous ayez terminé l'installation.

Si la cuisinière est déjà installée, consultez les instructions du fabricant pour le débranchement de l'alimentation en gaz et de l'alimentation électrique. Déplacez la cuisinière pour avoir accès au mur arrière.

- Localisez et marquez les endroits où passent les montants de cloison.
  - Les montants de cloison sont normalement installés à des intervalles de 16 ou 24 po (406 ou 1372 mm).
- La hauteur de la hotte déterminera la hauteur de montage du côté supérieur du dossieret de protection. Le dossieret de protection devrait être installé de façon à ce que la partie inférieure de la hotte chevauche le dossieret de protection de 1-½ po (38 mm).
- Utilisez deux vis fournies pour fixer le haut et le bas du dossieret de protection dans chaque montant de cloison (voir *Figure 21*).
  - Dans certains cas, et compte tenu de la largeur variable des montants de cloison et des dossierets muraux, un seul montant de cloison peut se trouver à l'emplacement de l'installation.
- Enlevez la pellicule de protection en plastique.

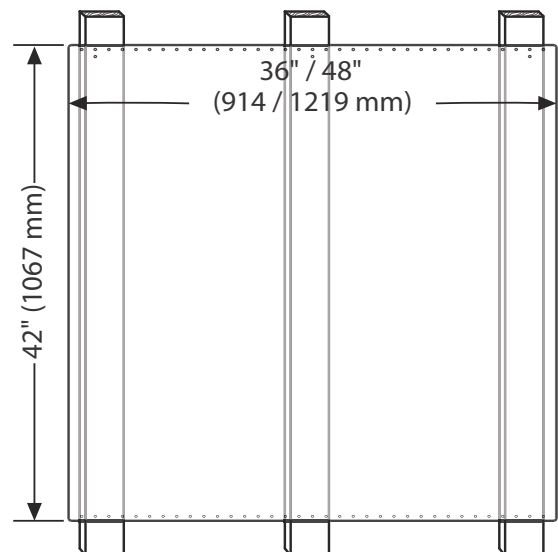


Figure 21 : Installation du dossieret de protection

## Installation d'un dossieret de protection avec une étagère garde-chaud

La hotte peut être montée en premier si le dossieret de protection est installé avec une étagère garde-chaud puisque cette étagère couvrira les vis de montage supérieures du dossieret de protection (Figure 22).

Pour protéger le dossieret de protection contre les égratignures, laissez la pellicule de protection sur le dossieret de protection jusqu'à ce que vous en ayez terminé l'installation.

Si la cuisinière est déjà installée, consultez les instructions du fabricant pour le débranchement de l'approvisionnement en gaz et de l'alimentation électrique. Déplacez la cuisinière pour avoir accès au mur arrière.

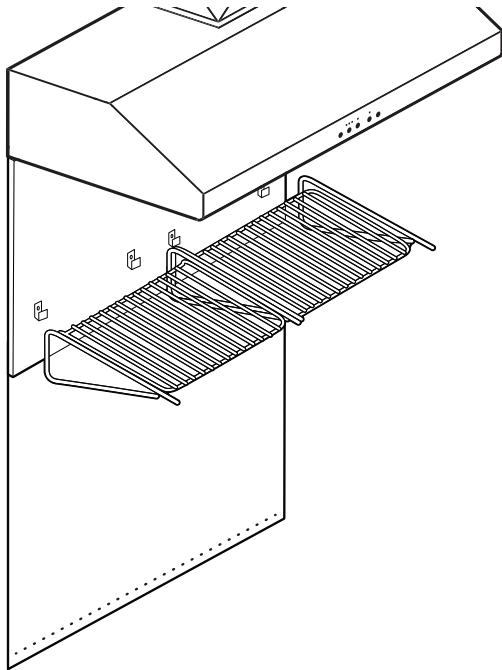


Figure 22 : Dossieret de protection avec étagère garde-chaud

1. Localisez les montants de cloison. Les montants de cloison sont normalement installés à des intervalles de 16 po ou 24 po (406 mm ou 1372 mm).
2. La hauteur de la hotte déterminera la hauteur de montage du côté supérieur du dossieret de protection. Le dossieret de protection devrait être installé de façon à ce que la partie arrière inférieure de l'étagère garde-chaud chevauche le dossieret de protection de 1-½ po (38 mm).

3. À l'endroit indiqué sur la Figure 23 fixez les supports inférieurs fournis avec l'étagère garde-chaud à travers le dossieret de protection, dans les montants de cloison.
  - Dans certains cas, et compte tenu de la largeur variable des montants de cloison et des dossierets muraux, un seul montant de cloison peut se trouver à l'emplacement de l'installation.
4. Enlevez la pellicule de protection en plastique.
5. Commencez l'installation de l'étagère garde-chaud.

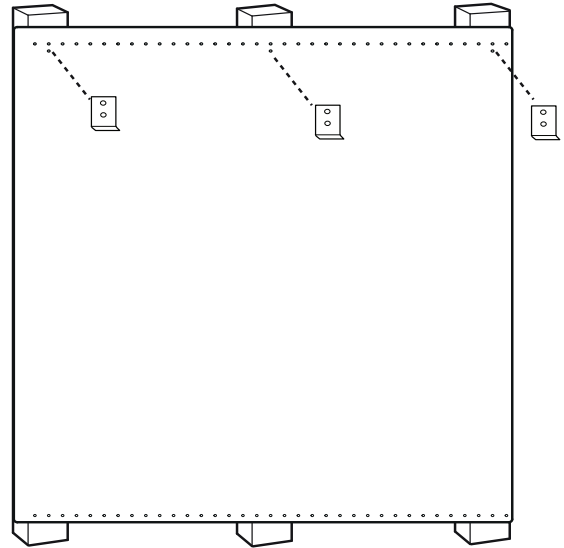


Figure 23 : Dossieret de protection avec étagère garde-chaud

## Étagère garde-chaud (KHS[30,36,42,48]QS)

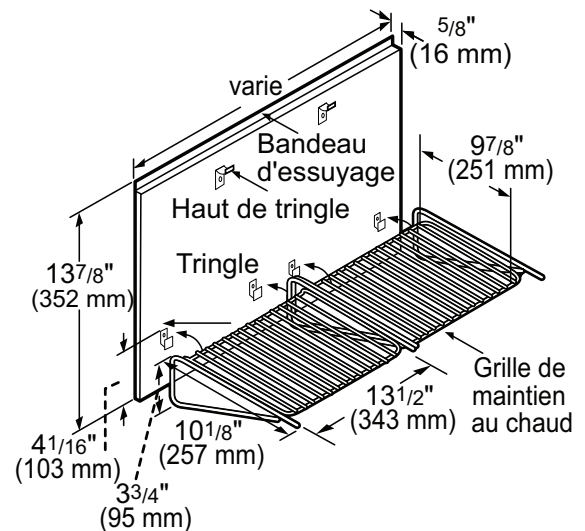



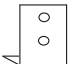
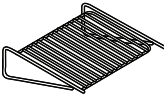
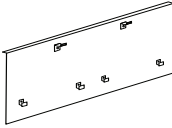


Figure 24 : Étagère garde-chaud

ARTICLES INCLUS	OUTILS REQUIS
 10 – vis de 1 po (25,4 mm) 4 – vis de ½ po (12,7 mm)	Ruban à mesurer
 4 – écrous en U	Ruban à peinture
 2 – supports supérieurs pour étagère	Tournevis ou mèche Phillips
 4 – supports inférieurs pour étagère	Couteau ou ciseaux
 2 – grille garde-chaud	
 1 – dossier de protection pour étagère garde-chaud	
1 – guide d'installation et gabarit	

- Collez sur le mur, avec du ruban, les gabarits fournis avec l'étagère garde-chaud comme suit :
  - Collez la feuille intitulée Left Hand Template au coin inférieur gauche de la hotte en alignant la bordure inférieure de la hotte et la ligne supérieure du gabarit.
  - Collez la feuille intitulée Right Hand Template au coin inférieur droit de la hotte en alignant la bordure inférieure de la hotte et la ligne supérieure du gabarit.
  - Collez la feuille intitulée Installation Instruction de façon à ce que la flèche située en haut du gabarit soit alignée avec la ligne centrale de la hotte. Alignez la bordure inférieure de la hotte et la ligne supérieure du gabarit.
  - Les côtés gauche et droit du gabarit doivent correspondre à la longueur de l'étagère.
- Installez les deux supports supérieurs pour étagère et les trois supports inférieurs pour étagère aux endroits indiqués sur les gabarits. Fixez-les en place à l'aide des (10) vis de 1 po (25,4 mm) fournies.
- Découpez le gabarit autour des supports et enlevez-le du mur. Ne le jetez pas avant d'avoir terminé l'installation de l'étagère garde-chaud.
- Insérez les quatre écrous en U dans les quatre supports inférieurs pour étagère.

- Installez la plaque murale en plaçant les encoches des coins (dos de la plaque murale) au sommet des deux supports supérieurs pour étagère.
- Faites glisser l'ensemble de l'étagère vers le haut jusqu'à ce que la partie inférieure s'enclenche dans les quatre supports inférieurs (Figure 25).

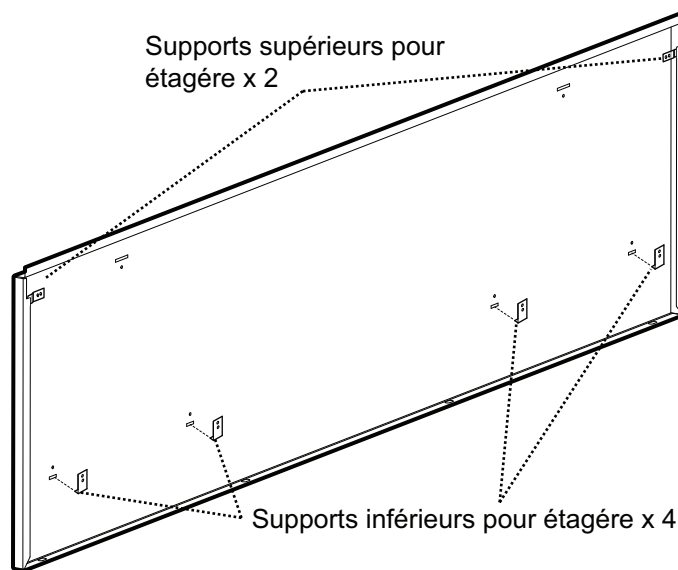


Figure 25 : Dos de la plaque murale

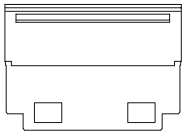

- Assurez-vous que la partie supérieure de l'ensemble de l'étagère est bien fixée en place en tirant vers vous sur la partie supérieure de l'étagère.
- Fixez la partie inférieure de l'ensemble de l'étagère à l'aide des (4) vis de ½ po (12,7 mm) fournies.

## Installation du dossieret

Lors d'une installation contre une surface combustible, vous devez utiliser un dossieret bas. Vous pouvez vous acheter séparément ces articles THERMADOR<sup>mc</sup>. Consultez la "Installation avec dossieret bas" à la page 34 pour obtenir plus de renseignements sur les espaces libres.

Lors de l'utilisation de la garniture d'îlot THERMADOR, il faut un espace minimal de 12 po (305 mm) entre la partie arrière de l'appareil et la surface combustible (voir "Espaces libres pour l'installation"). Les espaces libres jusqu'aux surfaces non combustibles ne sont pas précisés dans la norme ANSI Z21.1 et ne sont pas certifiés par la CSA. Tout espace libre de moins de 12 po (305 mm) doit être approuvé par les normes locales ou l'autorité locale ayant compétence.

**NOTE :** Si un dossieret de protection est utilisé avec le dossieret bas de l'appareil, installez d'abord le dossieret de protection, puis le dossieret bas avant de remettre la cuisinière à sa place.

PIÈCES FOURNIES AVEC LE DOSSERET BAS	OUTILS REQUIS
 <p>1 – panneau</p>	<p>Tournevis ou mèche Torx T-20</p>
 <p>9 ou 8 – vis Torx T-20 en inox 8 ou 6 – vis à pointe Torx T-20</p>	<p>Gants de protection</p>

## Installation du dossieret

1. Selon le modèle, enlevez les (3) ou (5) vis Torx T-20 en acier inoxydable de la partie avant de la garniture d'îlot.

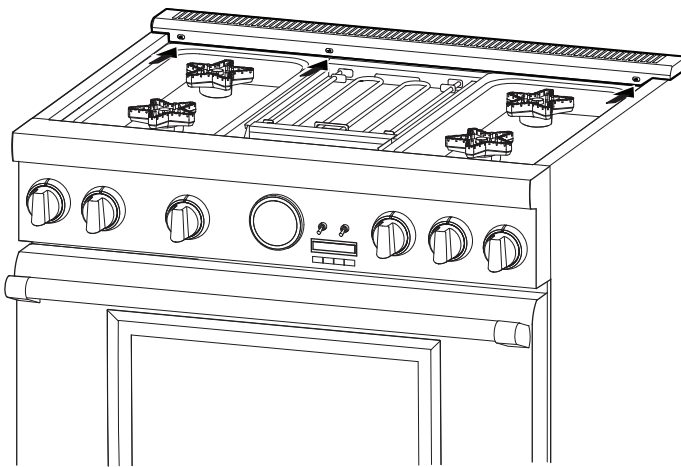


Figure 26 : Installation du dossieret

2. Enlevez les (4) vis taraudeuses retenant la garniture aux panneaux latéraux ainsi que les (2) ou (4) vis taraudeuses du panneau arrière. Tirez vers le haut pour l'enlever complètement.

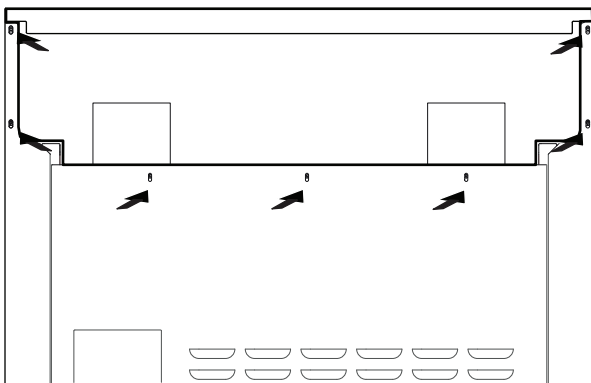


Figure 27 : Retrait des vis arrière de la garniture d'îlot

3. Alignez le panneau arrière du nouvel accessoire avec les brides des coins arrière droit et gauche des panneaux latéraux de la cuisinière. Le dossieret s'insère dans les canaux de guidage situés à l'arrière de la cuisinière (Figure 28).

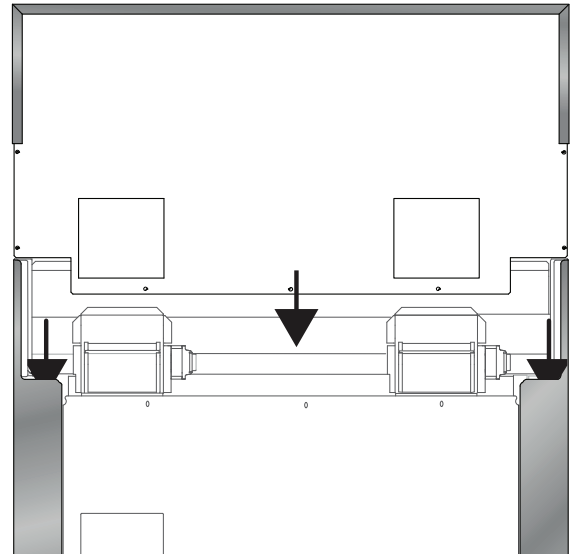


Figure 28 : Installation du dossieret

4. Assurez-vous que la face du dossieret est à l'extérieur des brides, vers l'avant de la cuisinière.

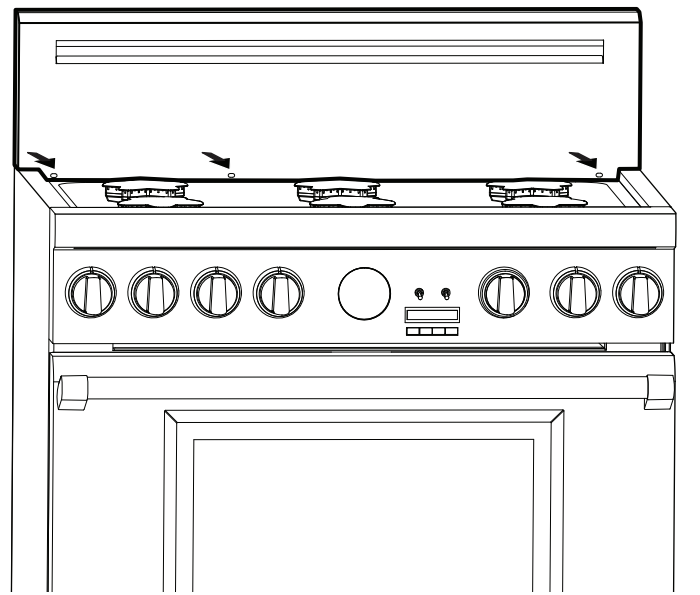


Figure 29 : Vue de face du dossieret bas

5. Remettez en place les vis enlevées aux étapes 1 et 2.

## ÉTAPE 9 : Mise en place et nivelage de la cuisinière

### Ajustement des pattes de nivelage

#### ▲ MISE EN GARDE

Les côtés supérieurs des panneaux latéraux de la cuisinière doivent être à la même hauteur ou plus haut que le comptoir adjacent. Si la cuisinière se trouve à une hauteur inférieure que l'armoire adjacente lorsqu'elle fonctionne, les températures excessives qui se dégagent de la cuisinière pourraient endommager les armoires et le comptoir (voir *Figure 30*).

Pour fonctionner adéquatement, la **cuisinière doit être nivelée**. Cela est particulièrement important pour tous les appareils munis d'une plaque chauffante. Pour un rendement optimal, vous devriez vous assurer que la cavité du four est également nivelée.

Les modèles de 36 et 48 pouces sont munis de (4) pattes de nivelage (une à chaque coin) qui sont vissées dans la structure de base en aluminium coulé.

1. Mesurez d'abord la hauteur du comptoir avec un ruban et ajoutez 1/16 po - 1/8 po (2-3 mm).

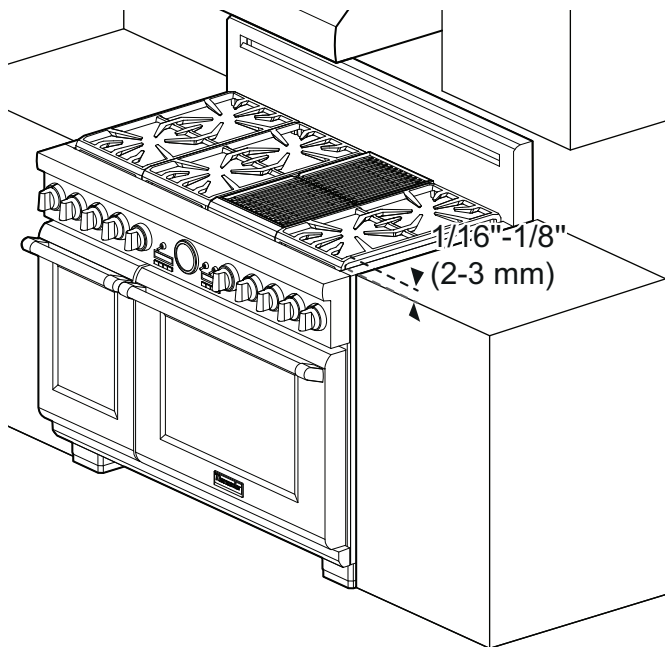


Figure 30 : Réglage de la hauteur de la cuisinière

2. Faites tourner les pattes en utilisant une clé réglable de 12 po sur le côté plat de chacune d'elles. Ajustez les pattes en conséquence avant de pousser la cuisinière à son emplacement définitif.

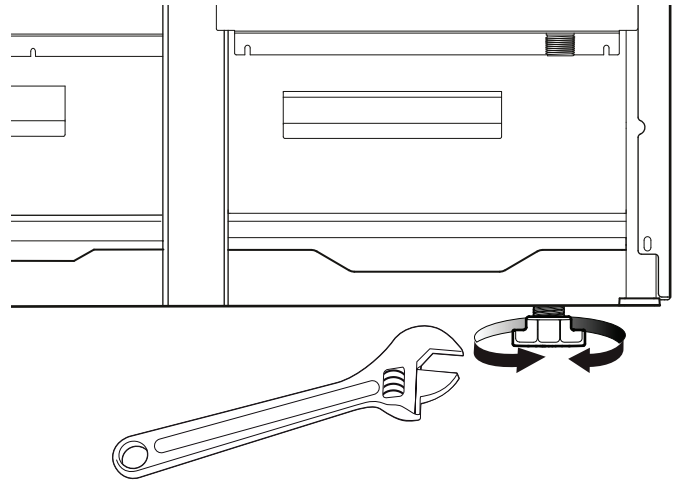


Figure 31 : Ajuster les Pattes

3. Vous devriez ajuster la hauteur des quatre pattes des coins en alternant jusqu'à ce que les rebords supérieurs des panneaux latéraux de la cuisinière soient plus ou moins à la hauteur du comptoir.
4. Vous devez ajuster totalement les deux pattes arrière avant de pousser la cuisinière à son emplacement définitif.
5. Au moment d'installer la cuisinière à son emplacement définitif, assurez-vous que le « crochet » du dispositif anti-bascule s'insère correctement dans la bride arrière de la base moulée (voir « ÉTAPE 5 : Installation du dispositif anti-bascule »). Pour ce faire, vous pouvez regarder à travers l'ouverture située à l'avant de la cuisinière, près du sol.
6. Lorsque la cuisinière se trouve à son emplacement définitif, l'ajustement de la hauteur finale et l'alignement avec le comptoir se font en ajustant les deux pattes avant.

### Ajustement de l'inclinaison de la plaque chauffante (sur certains modèles)

Consultez la section intitulée « *Utilisation de la plaque chauffante* » du manuel d'utilisation et d'entretien

### Assemblage du gril (sur certains modèles)

Consultez la section intitulée « *Utilisation du gril électrique* » du manuel d'utilisation et d'entretien.

## Installation des recouvrements des pattes

1. Enlevez le revêtement plastique des pièces de recouvrement en acier inoxydable.
2. Placez la plus petite pièce de recouvrement, avec les échancrures vers le haut, à l'intérieur de la plus grande pièce de recouvrement, en orientant les ouvertures des deux pièces vers l'arrière.

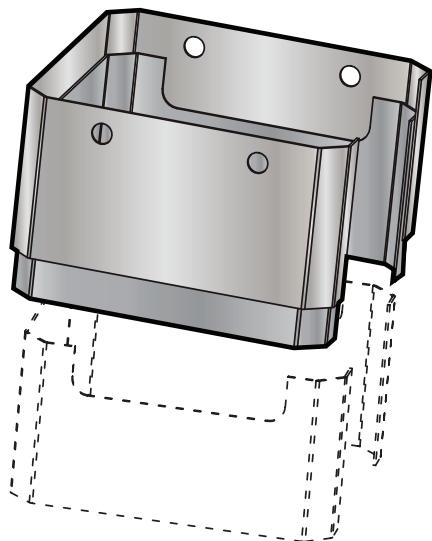


Figure 32 : Recouvrements Des Pattes

3. Sous la cuisinière, installez l'assemblage des pièces de recouvrement autour d'une patte.
4. Faites glisser la pièce de recouvrement extérieure vers le haut en laissant la pièce intérieure reposer sur le plancher. La pièce couplée est munie d'encoches dans lesquelles la plus grande pièce de recouvrement devrait s'enclencher. Vous devriez sentir un déclic vous indiquant que l'assemblage des pièces de recouvrement est fixé correctement à l'appareil.

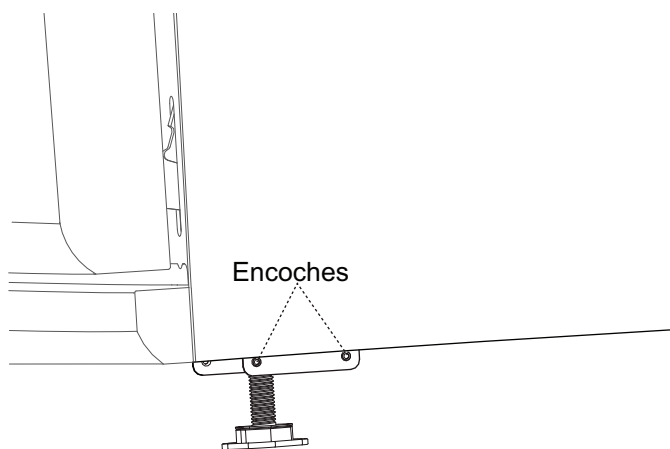


Figure 33 : Encoches

5. Fixez l'assemblage des pièces de recouvrement à travers les trous en fossette à l'aide de deux (2) vis Torx en acier inoxydable de ½ po (incluses), comme illustré ci-dessous.

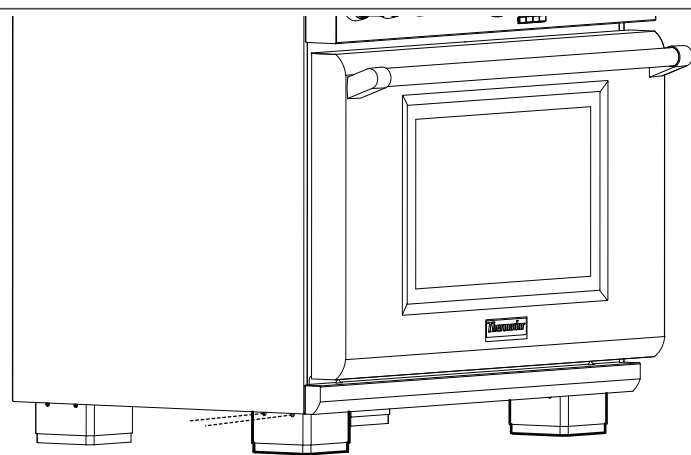




Figure 34 : Recouvrements des pattes installés

6. Répétez le processus avec toutes les pattes visibles.
  - Sides pièces de recouvrement supplémentaires sont requises, vous pouvez en commander sans frais au centre de service à la clientèle en appelant au 1-800-735-4328 jusqu'à un an après la date d'achat de l'appareil. Lorsque vous commandez, mentionnez la trousse de recouvrements de pattes (Leg Cover Kit) 00751305.

## Plinthe (optionnel) (PA[36,48]JTKG)

PIÈCES DE LA PLINTHE INCLUSES	OUTILS REQUIS
 1 – plinthe	Tournevis ou mèche Torx T-20
 4 – vis à pointe Torx T-20	Gants de protection

1. Enlevez les recouvrements des pattes. Pour ce faire, faites glisser la manche extérieure des recouvrements de pattes vers le bas, en enlevant les encoches extrudées de la base en aluminium (voir Figure 34).
2. Enlevez la pellicule de protection en plastique qui recouvre la plinthe.
3. Sous la cuisinière, avec les trous et les brides tournés vers le haut, installez la plinthe autour de la base moulée en aluminium.
4. La pièce d'accouplement est munie de chaque côté d'encoches extrudées qui devraient s'introduire dans les trous de la plinthe. Vous devriez sentir un déclic vous indiquant que le dispositif est fixé correctement à l'appareil.

5. Installez la plinthe des deux côtés de l'appareil en la fixant aux trous de montage extrudés à l'aide des vis à pointe Torx T-20 fournies.

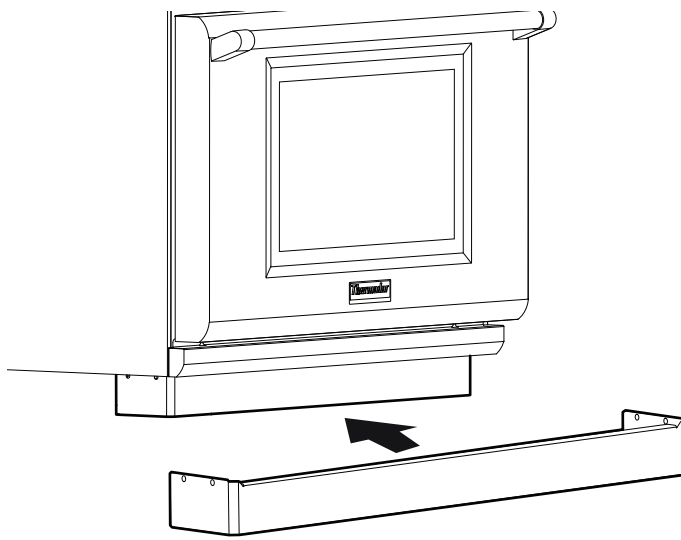


Figure 35 : Installation de la plinthe

## Plaque signalétique

La plaque signalétique indique le modèle et le numéro de série de votre cuisinière. Elle se trouve dans l'espace créé entre le côté droit de la cavité du four et le panneau latéral de la cuisinière.

Les schémas de câblage électrique et les dessins placés dans la zone de la base ne doivent pas être enlevés sauf par un technicien de service. Remettez-les en place après l'entretien.

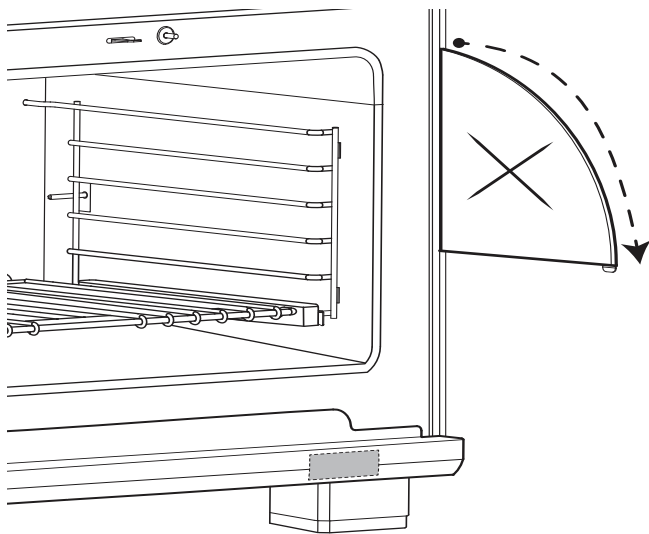


Figure 36 : Emplacement de la plaque signalétique

## ÉTAPE 10 : Test des brûleurs

Installez tous les éléments libres ayant été retirés à une étape ultérieure, comme les chapeaux et les grilles des brûleurs. Assurez-vous que les chapeaux des brûleurs sont adéquatement placés sur leur base. Avant de tester le fonctionnement de l'appareil, assurez-vous d'une part qu'aucune fuite ne s'échappe de l'appareil et du raccord d'approvisionnement en gaz et d'autre part que l'appareil est branché à l'alimentation électrique. Tournez la vanne d'arrêt du gaz en position ouverte.

**NOTE:** Avant de mettre le four en marche, tous les boutons du four doivent être à la position OFF. Pour prévenir tout fonctionnement non voulu lors de la mise en marche du four, veuillez placer tous les boutons à la position OFF. Pour assurer la sécurité de l'utilisateur lors d'une panne d'électricité, un message annonçant une erreur apparaît à l'écran de l'appareil lors de la reprise du courant, à moins que tous les boutons soient à la position OFF. Remettez tous les boutons à la position OFF et réinitialisez le disjoncteur pour éliminer ce message.

### Vérification des brûleurs de la surface de cuisson

Test du système d'allumage des brûleurs. Choisissez un bouton de brûleur. Poussez-le et tournez-le dans le sens antihoraire jusqu'à la position HI. Le module d'allumage produit un déclic. Le brûleur devrait s'allumer en moins de 4 secondes, lorsque la conduite d'alimentation s'est vidée de son air.

### Test de flamme : réglage haut

Tournez le bouton à HI. Consultez la *Figure 37* pour connaître les caractéristiques d'une flamme qui est considérée comme normale.

Si un des brûleurs de surface continue de brûler avec une flamme principalement ou complètement jaune, assurez-vous que le capuchon du brûleur est bien posé sur sa base, puis répétez cette opération. Si les caractéristiques de la flamme restent les mêmes, communiquez avec THERMADOR.

### Test de flamme : réglage de mijotage

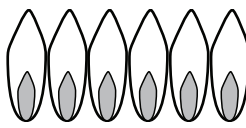
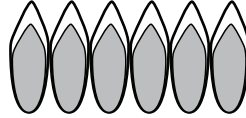
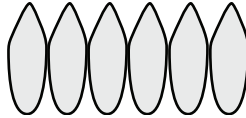
Tournez le bouton à SIM. Vérifiez si la flamme se propage sur tout le brûleur. Une flamme devrait sortir de chaque port du brûleur et il ne doit pas y avoir d'air entre la flamme et le brûleur. Si la flamme ne se propage pas sur tous les brûleurs, communiquez avec THERMADOR.

Quatre brûleurs de la surface de cuisson, deux du côté gauche et deux du côté droit, sont dotés de la fonction XLO<sup>mc</sup>, un réglage qui fait en sorte que la flamme s'allume et s'éteint par intervalles. Ce fonctionnement est normal.

**Lorsque la flamme est adéquatement ajustée:**

Une flamme doit sortir de chaque port du brûleur. Il ne doit pas y avoir d'air entre la flamme et le port du brûleur.

Répétez ces tests avec chaque brûleur de la surface de cuisson.

<p><b>Flamme jaune :</b> Réglage supplémentaire nécessaire.</p>	
<p><b>Pointe jaune sur cône extérieur :</b> Normal avec du gaz propane</p>	
<p><b>Flamme bleue :</b> Normal avec du gaz naturel</p>	

Si la flamme est principalement ou complètement jaune, assurez-vous que le régulateur est réglé pour le gaz approprié. Après avoir apporté cet ajustement, vérifiez de nouveau la flamme.

Il est normal que les flammes soient orangées pendant la mise en marche initiale.

Laissez l'appareil fonctionner de 4 à 5 minutes et évaluez de nouveau la situation avant d'effectuer des réglages.

**Figure 37 : Caractéristiques de flamme**

**Lorsque la flamme est adéquatement réglée :**

Il doit y avoir une flamme à chaque port du brûleur. Il ne doit pas y avoir d'intervalle d'air entre la flamme et le port du brûleur.

**Communiquer avec THERMADOR<sup>MC</sup> si :**

1. Un brûleur ne s'allume pas.
2. Si la flamme d'un brûleur reste jaune.



# Liste de vérification à l'intention de l'installateur

Les espaces libres spécifiés entre l'appareil et les armoires adjacentes sont respectés.

Appareil nivelé et recouvrements des pattes installés.

Les chapeaux des brûleurs sont bien placés sur leur base.

Tout le matériel d'emballage a été enlevé.

La garniture d'îlot ou le dossier est installé conformément aux instructions.

Vérifiez la flamme de chaque brûleur. La flamme doit correspondre à la description de flamme de l'étape 10. La flamme peut tarder plusieurs minutes à brûler toutes les impuretés se trouvant dans les conduites de gaz.

Vérifiez la fonction ExtraLow afin de vous assurer qu'elle fonctionne et que la flamme se rallume tout autour du brûleur.

## Approvisionnement en gaz

Raccord : Filetage NPT de 3/4 po (19 mm) avec tuyau flexible d'un diamètre d'au moins 3/4 po (19 mm).

L'appareil est bien raccordé au type de gaz pour lequel il est conçu.

La vanne d'arrêt de gaz manuel a été installée à un endroit facile d'accès (sans qu'il soit nécessaire de déplacer la cuisinière). Le propriétaire sait où se trouve la vanne d'arrêt de gaz.

L'appareil a été testé et il n'y a aucune fuite de gaz.

Si la cuisinière est branchée au gaz propane, assurez-vous que le réservoir de propane est muni de son propre mécanisme régulateur à haute pression en plus du régulateur à haute pression de l'appareil.

La pression d'approvisionnement en gaz n'est pas supérieure à 14 po (34,9 mb) de C.E.

## Électricité

La prise de courant à laquelle le cordon d'alimentation est branché est bel et bien protégée contre les surtensions.

Une mise à la terre adéquate a été effectuée.

Le propriétaire sait où se trouve le disjoncteur principal.

## Fonctionnement

Les marques sont bien centrées sur les commandes des brûleurs et les boutons tournent librement.

Chaque brûleur s'allume correctement, seul ou avec d'autres brûleurs allumés.

Les crochets charnières de la porte du four sont bien en place et se verrouillent correctement. La porte s'ouvre et se ferme correctement.

Les grilles des brûleurs sont bien placées, nivelées et ne bougent pas.

**INSTALLATEUR** : Écrivez le numéro de modèle et le numéro de série se trouvant sur la plaque signalétique dans le MANUEL D'UTILISATION ET D'ENTRETIEN (la plaque se trouve du côté droit de la cuisinière, entre la cavité du four et le panneau latéral). Laissez le MANUEL D'UTILISATION ET D'ENTRETIEN ainsi que le MANUEL D'INSTALLATION au propriétaire de l'appareil.

## Nettoyage et protection des surfaces externes

- Frottez toujours l'acier inoxydable dans le sens du grain.
- Pour nettoyer et protéger l'acier inoxydable, utilisez le produit Stainless Steel Conditioner de Thermador, en vente à la boutique électronique Thermador ([www.thermador-eshop.us](http://www.thermador-eshop.us)).
- NE laissez PAS les taches s'incruster.
- N'utilisez PAS de tampons ni de brosses métalliques. De petits morceaux de métal risquent d'adhérer à la surface et de la faire rouiller.
- NE laissez PAS les solutions salines, les désinfectants, l'eau de Javel ou les produits de nettoyage en contact avec l'acier inoxydable. Ces produits contiennent en général des produits chimiques susceptibles de l'endommager. Rincez-les à l'eau puis séchez avec un chiffon sec.

## Dépannage

Voyez le Guide d'utilisation et d'entretien pour les renseignements de dépannage.

---

# Índice de materias

Instrucciones de Seguridad .....	58
Consignes d'Installation .....	60
Información de planificación .....	60
PASO 1: Requisitos de ventilación .....	60
PASO 2: Preparación de los armarios .....	61
PASO 3: Desempacar y mover la estufa .....	67
PASO 4: Quitar y reinstalar la puerta .....	69
PASO 5: Instalación del dispositivo antivuelco .....	70
PASO 6: Requisitos de gas y conexión del suministro de gas .....	72
PASO 7: Requisitos de alimentación y conexión eléctrica .....	73
PASO 8: Instalación de la consola trasera (opcional) .....	76
PASO 9: Colocar y nivelar la estufa .....	80
PASO 10: Pruebas de los quemadores .....	82
Lista de chequeo del instalador .....	84
Servicio, Piezas y Accesorios .....	contraportada

---

## Definiciones de seguridad

### ⚠ ADVERTENCIA

Esto indica que se pueden producir lesiones graves o la muerte si no se cumple con esta advertencia.

### ⚠ PRECAUCIÓN

Esto indica que pueden producirse lesiones leves o moderadas si no se cumple con esta advertencia.

**NOTA:** Esto indica que puede producirse un daño al electrodoméstico o a la propiedad como resultado de la falta de cumplimiento de este aviso.

**Nota:** Esto lo alerta sobre información y/o consejos importantes.

Este electrodoméstico de  
THERMADOR® está hecho por  
BSH Home Appliances Corporation  
1901 Main Street, Suite 600  
Irvine, CA 92614

### ¿Preguntas?

1-800-735-4328  
[www.thermador.com](http://www.thermador.com)

**¡Esperamos oír de usted!**

# Instrucciones de Seguridad



## INSTRUCCIONES IMPORTANTES DE SEGURIDAD

Lea Todas las Instrucciones Antes de Continuar

### Antes de empezar

**IMPORTANTE:** Guarde estas instrucciones para el inspector de la empresa proveedora de gas de su localidad.

**INSTALADOR:** Deje esas instrucciones de instalación con el aparato para el propietario.

**PROPIETARIO:** Guarde estas instrucciones para futuras referencias.

#### ADVERTENCIA



#### ¡RIESGO DE DESCARGA ELÉCTRICA!

Desconecte la corriente antes de la instalación. Antes de prender la corriente, asegúrese de que todos los controles estén en la posición OFF.

#### ADVERTENCIA



Un niño o un adulto podrían volcar el aparato y perder la vida. Asegúrese de que el dispositivo antivuelco esté instalado adecuadamente y que su soporte retenga la pata del aparato al reinstalarlo en su sitio.

No utilice el aparato si el dispositivo antivuelco no está instalado. El hecho de no leer las instrucciones de este manual puede causar la muerte o graves quemaduras a niños y adultos.

Asegúrese de que el soporte antivuelco esté bien instalado y debidamente utilizado. Incline levemente la estufa por delante tirando de la parte posterior para asegurarse de que la pata del aparato esté bien enganchada en el soporte antivuelco y que el aparato no pueda volcar. La estufa no debería poder moverse más de una pulgada (2,5cm).

#### INSTRUCCIONES DE LA TOMA DE TIERRA

Es necesario hacer la toma de tierra de este aparato. La toma de tierra reduce los riesgos de descarga eléctrica proporcionando a la corriente eléctrica una vía de escape en caso de cortocircuito.

#### IMPORTANTE:

Los códigos locales pueden variar. La instalación, las conexiones eléctricas y la toma de tierra deben cumplir con todos los códigos aplicables.

#### Para instalaciones en Massachusetts:

1. La instalación debe realizarse por un contratista, un plomero o un técnico de gas cualificado o autorizado por el estado, la provincia o región donde se está instalando este aparato.
2. La válvula de cierre debe ser un grifo de gas en T.
3. El conducto flexible de gas no debe medir más de 36 pulg. (914 mm).

#### ADVERTENCIA

No leer la información en este manual podría provocar un incendio o una explosión, y como resultado daños a la propiedad, lesiones o la muerte.

— No guarde o use materiales combustibles, gasolina u otros gases o líquidos inflamables cerca de este o cualquier otro aparato.

#### — QUÉ HACER EN CASO DE OLER A GAS

- No trate de encender ningún aparato.
- No toque ningún interruptor eléctrico.
- No use ningún teléfono en su casa.
- Llame de inmediato a su proveedor de gas desde el teléfono de algún vecino y siga las instrucciones de su proveedor de gas.
- Cuando no pueda localizar a su proveedor de gas, llame a los bomberos.

— Un instalador cualificado, una agencia de servicio autorizada o el proveedor de gas debe realizar la instalación y el servicio.

#### ADVERTENCIA

#### Advertencias en virtud de la Proposición 65 del estado de California:

Este producto contiene una o más sustancias químicas que el estado de California sabe que provocan cáncer, defectos congénitos, u otro daño reproductivo.



# INSTRUCCIONES IMPORTANTES DE SEGURIDAD

## Lea Todas Las Instrucciones Antes De Continuar

Esta estufa NO está diseñada para una instalación en casas rodantes prefabricadas o en remolques usados en parques recreativos. NO instale esta estufa afuera

### Verificación del tipo de gas

Verifique el tipo de gas suministrado en el lugar donde se instala el aparato. Asegúrese de que el aparato esté conectado al tipo de gas para el cual está certificado. Todos los modelos están certificados para un uso con gas natural o gas propano (LP). Asegúrese de que la estufa esté configurada para el tipo de gas disponible. Consulte el "PASO 6: Requisitos de gas y conexión de gas" antes de proceder a la instalación.

Todas las estufas están certificadas para un uso con gas natural. La conversión del aparato para un uso con gas propano requiere la instalación del juego de conversión proporcionado con la estufa (número de serie 00553182). Solamente un instalador o un técnico cualificado deberían proceder a la conversión. Consulte las instrucciones del juego de conversión a propano para obtener toda la información necesaria para una instalación completa.

### Suministro de gas

**Gas natural** — 6 pulgadas (14.9 mb) min. a 14 pulg. (34.9 mb) máx. de columna de agua.

**Gas propano** — 11 pulgadas (27.4 mb) min. a 14 pulg. (34.9 mb) máx. de columna de agua

### Alimentación eléctrica

(Vea *página 73* para las especificaciones.) Incumbe al dueño y al instalador determinar si requisitos o normas adicionales se aplican a la instalación específica.

**Este aparato cumple con una o más de las siguientes normas:**

- ANSI Z21.1 – norma americana para aparatos domésticos de gas
- UL 858 – norma de seguridad para estufas eléctricas domésticas
- CAN/CSA-C22.2 No 61 – norma canadiense para estufas domésticas
- CAN/CGA1.1-M81 – estufas domésticas de gas

Consulte los códigos locales de construcción para el método apropiado de instalación del aparato. Los códigos locales pueden variar. La instalación, conexiones eléctricas y conexiones a tierra deben cumplir con los códigos

aplicables. En la ausencia de códigos locales el aparato debe ser instalado de acuerdo al National Fuel Gas Code (Código Nacional de Gas Combustible) ANSI Z223.1/NFPA 54 vigente y al National Electrical Code (Código Nacional de Electricidad) ANSI/NFPA 70 vigente. En Canadá, la instalación debe ser conforme al 1-B149.1 and .2 – Installation Codes for Gas Burning Appliances (Códigos de Instalación para Unidades que Queman Gas) y/o códigos locales.

### IMPORTANTE:

Cuando se instala sobre una superficie combustible, se debe usar una consola trasera baja. Se debe comprar por separado una consola trasera baja THERMADOR.

Cuando se utiliza el adorno de isla THERMADOR, hace falta un espacio libre trasero mínimo de 12 pulg. (305 mm) entre el aparato y la superficie combustible (vea la "Espacios libres para la instalación"). Los espacios libres para las materias no combustibles no forman parte de la norma ANSI Z21.1 y no están certificados por la CSA. Los códigos locales o la autoridad local competente deben aprobar los espacios libres de menos de 12 pulg. (305 mm).

Consulte *Tabla 3 en la página 76* para los modelos de consolas correctas que están diseñadas para esta estufa. Después de seleccionar la consola trasera correcta se debe instalar la estufa correctamente, usando los mínimos espacios libres a superficies combustibles especificadas en las instrucciones de instalación de gabinetes en la "PASO 2: Preparación de los armarios" en la *página 61*.

### ADVERTENCIA

Para evitar un posible riesgo de quemaduras o fuego se debe instalar una consola trasera de protección diseñada específicamente para esta estufa antes de utilizarla.

### PRECAUCIÓN

El aparato sirve para cocinar. Basado en consideraciones de seguridad, nunca debe usarlo para calentar una habitación.

Examine el aparato después de haberlo desempaquetado. Si fue dañado durante el transporte, no lo enchufe.

Quite toda la cinta y el material de embalaje antes de utilizar el aparato. Tire el material de embalaje después de la instalación. Nunca deje que los niños jueguen con el material de embalaje.

# Instrucciones de Seguridad

## Información de planificación

Antes de usar su aparato, asegúrese de leer este manual. Ponga especial atención a las Instrucciones importantes de seguridad al principio del manual.

HERRAMIENTAS REQUERIDAS	
2 – llaves de ½ pulg.	Broca de 1/8 pulg. (3,17 mm)
Broca de 3/16 pulg. (4,76 mm)	Llave de boca ajustable de 12 pulg.
Taladro eléctrico o de mano	Cinta métrica
Destornillador plano o estrella	Lápiz u otro marcador
Nivel	Plataforma de ruedas
Destornillador Torx T-20	Guantes de protección
ELEMENTOS NO INCLUIDOS	
Anclajes para yeso-cartón u hormigón	Compuesto/cinta para conducto
Cuerda/cordel	Conducto flexible de ¾ pulg. (19 mm)
Prensacables	

## PASO 1: Requisitos de ventilación

Consulte la *Guía de planificación de ventilación* para conocer las combinaciones de ventilación aprobadas.

Es altamente recomendado que este aparato se instale en conjunto con una campana de extracción THERMADOR. Debido a la alta capacidad de calentamiento de esta unidad, se debe prestar particular atención al trabajo de instalación de la campana y del ducto para asegurar que cumpla con los códigos locales de construcción.

No debería usar este aparato con un sistema de ventilación de corriente descendiente. La *Guía de planificación de ventilación* indica las campanas que se pueden usar y contiene consignas respecto a las capacidades de las campanas que se recomiendan usar con todas las estufas THERMADOR.

No instale una combinación microondas / ventilador encima de la estufa, ya que estos tipos de aparatos no proporcionan la ventilación apropiada y no convienen para un uso con la estufa.

### IMPORTANTE:

Las campanas de ventilación y los ventiladores están diseñados para usarse con conductos sencillos de pared. Sin embargo, algunos códigos locales de construcción o inspectores de obras pueden requerir conductos dobles de pared. Consulte los códigos locales de construcción o con las agencias locales antes de comenzar para estar seguro de que la instalación de la campana y de los conductos cumple con los requisitos locales.

**AVISO:** La mayor parte de las estufas tienen componentes combustibles que se deben tener en cuenta al planificar la instalación.

### ⚠ ADVERTENCIA

No se debería instalar este aparato con un sistema de ventilación de corriente descendiente. Este tipo de sistema de ventilación puede presentar riesgo de ignición y problemas de combustión, provocando lesiones corporales, daños materiales o un funcionamiento involuntario. No se aplica ninguna restricción a los sistemas de ventilación de corriente ascendiente.

## Preparación de la ventilación

### 1. Seleccionar la campana y el ventilador:

- Para instalaciones en la pared, la anchura de la columna debe ser por lo menos igual a la anchura de la estufa. Donde el espacio lo permite, se puede instalar una campana más ancha que la superficie de la estufa para que la campana funcione mejor.
- Para instalaciones de tipo isla, la campana colgada debe ser por lo menos 3 pulgadas (76 mm) más ancha de cada lado que la superficie de la estufa.

### 2. Colocar la campana:

- Para eliminar mejor el humo, el borde inferior de la campana debe estar a una distancia mínima de 30 pulg. (762 mm) encima de la superficie de la estufa (vea la “*Espacios libres para la instalación*”).
- Deje un espacio libre de un mínimo de 36 pulg. (914 mm) si la campana está hecha de materiales combustibles, como madera (vea la “*Espacios libres para la instalación*”).

### 3. Considere una fuente de aire de recambio:

- Debido al alto volumen de aire de ventilación requerido, se recomienda tener una fuente externa de aire. Esto es sumamente importante para hogares bien sellados y aislados. Debe consultar a un contratista cualificado en calefacción y ventilación.

---

## PASO 2: Preparación de los armarios

---

- La estufa es un aparato aislado e independiente. Si desea colocar el aparato junto a armarios, debe instalarla dejando los espacios libres que se muestran en la “Espacios libres para la instalación”. Los mismos espacios libres se aplican a instalaciones tipo isla, excepto por los armarios colgados, que deben tener un espacio suficientemente ancho para aceptar la campana de isla acampanada.
- El suministro de gas y la alimentación eléctrica deben estar dentro de la zona indicada en la *Figura 5*.
- Se deben sellar todas las aberturas situadas en la pared detrás de la estufa y en el piso debajo de la estufa.
- Cuando se instala sobre una superficie combustible, se debe usar una consola trasera baja. Se debe comprar por separado una consola trasera baja THERMADOR. Vea el paso 8 para obtener información sobre la consola trasera, los kits y la instalación.
- Cuando se utiliza el adorno de isla THERMADOR, hace falta un espacio libre trasero mínimo de 12 pulg. (305 mm) entre el aparato y la superficie combustible (vea la *Figura 4 en la página 65*). Los espacios libres para las materias no combustibles no forman parte de la norma ANSI Z21.1 y no están certificados por la CSA. Los códigos locales o la autoridad local competente deben aprobar los espacios libres de menos de 12 pulg. (305 mm).

- Cuando la estufa se instala sobre una pared combustible, se requiere un espacio libre de un mínimo de 5 pulg. (127 mm) entre la estufa y la pared (“Espacios libres para la instalación”).
- Siempre mantenga la zona alrededor del aparato limpia y no deje materiales combustibles, gasolina y otros gases y líquidos inflamables cerca del aparato.
- No obstruya el flujo del aire de combustión y de ventilación del aparato.
- La máxima profundidad de los armarios colgados de cualquier lado de la campana es de 13 pulg. (330 mm) (“Espacios libres para la instalación”).

Se necesita un espacio libre mínimo de 36 pulgadas (914 mm) entre la superficie de la estufa y la parte inferior de un armario no protegido. Se puede usar un espacio libre de 30 pulg. (762 mm) cuando el fondo de un armario de madera o de metal esté protegido por un material ignífugo de un grosor mínimo de  $\frac{1}{4}$  de pulgada (6,35 mm) cubierto por una lámina de acero 28 MSG, de acero inoxidable con un grosor de 0,015 pulgada (0,4 mm), de aluminio con un grosor de 0,024 pulgad (0,6 mm), o de cobre con un grosor de 0,020 pulgada (0,5 mm).

Los materiales ignífugos llevan la marca siguiente: UNDERWRITERS LABORATORIES INC. CLASSIFIED MINERAL Y FIBER BOARDS SURFACE BURNING CHARACTERISTICS. Esta indicación está seguida por el índice de propagación de las llamas y del humo. Estas designaciones aparecen como “FHC”. Los materiales que tienen un índice de propagación de llamas de “0” son ignífugos. Los códigos locales pueden permitir índices de propagación de las llamas diferentes. Incumbe al dueño y al instalador asegurarse de que la instalación se haga conforme a este índice.

# Espacios libres para la instalación

## Instalación con la consola trasera baja

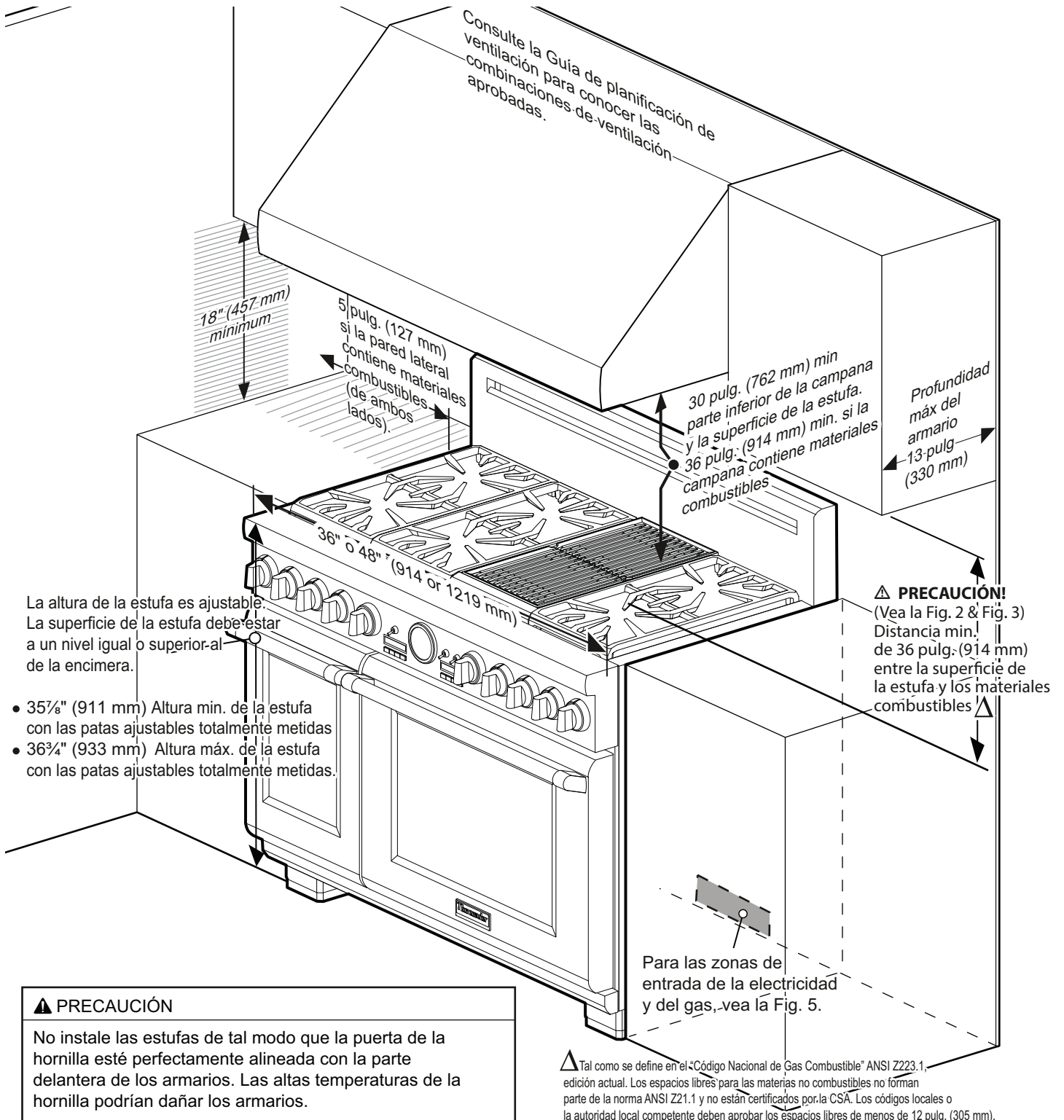
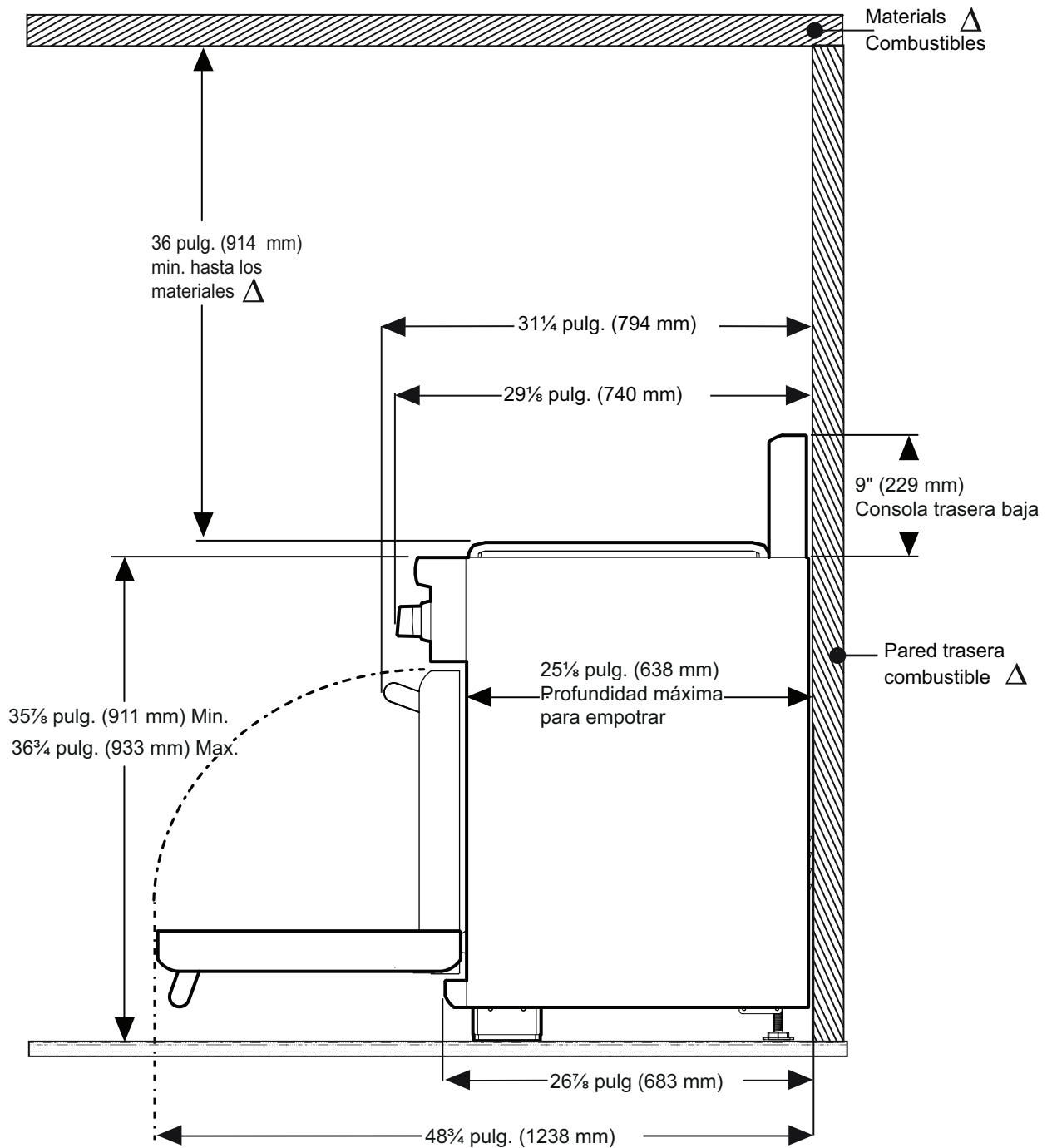


Figura 1: Espacio libre para los armarios

## Instalación con la consola trasera baja



$\Delta$  Tal como se define en el "Código Nacional de Gas Combustible" ANSI Z223.1, edición actual. Los espacios libres para las materias no combustibles no forman parte de la norma ANSI Z21.1 y no están certificados por la CSA. Los códigos locales o la autoridad local competente deben aprobar los espacios libres de menos de 12 pulg. (305 mm).

Figura 2: Instalación con la consola trasera baja



# Instalación con el adorno tipo isla incluida

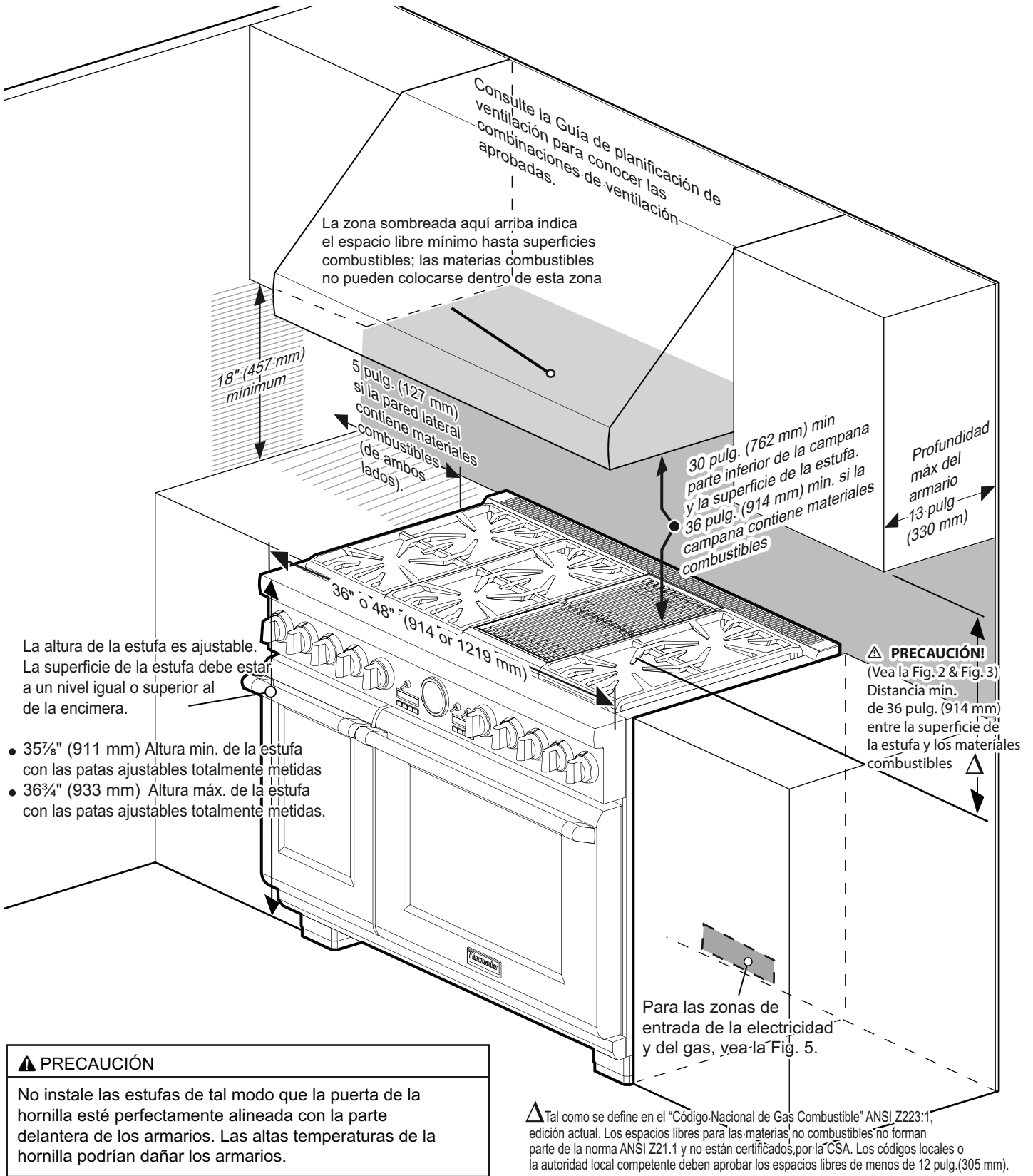
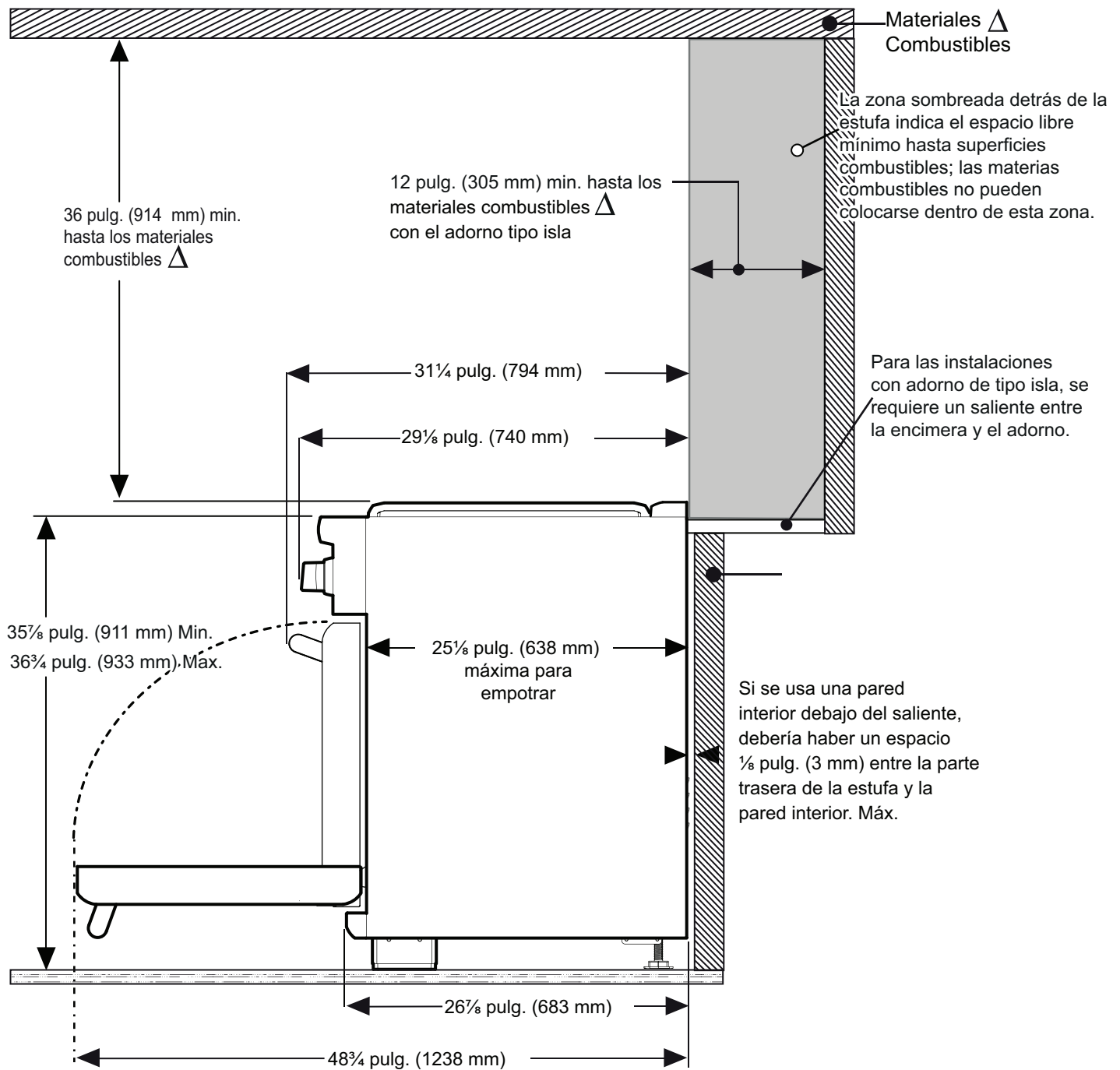


Figura 3: Instalación con el adorno tipo isla incluida

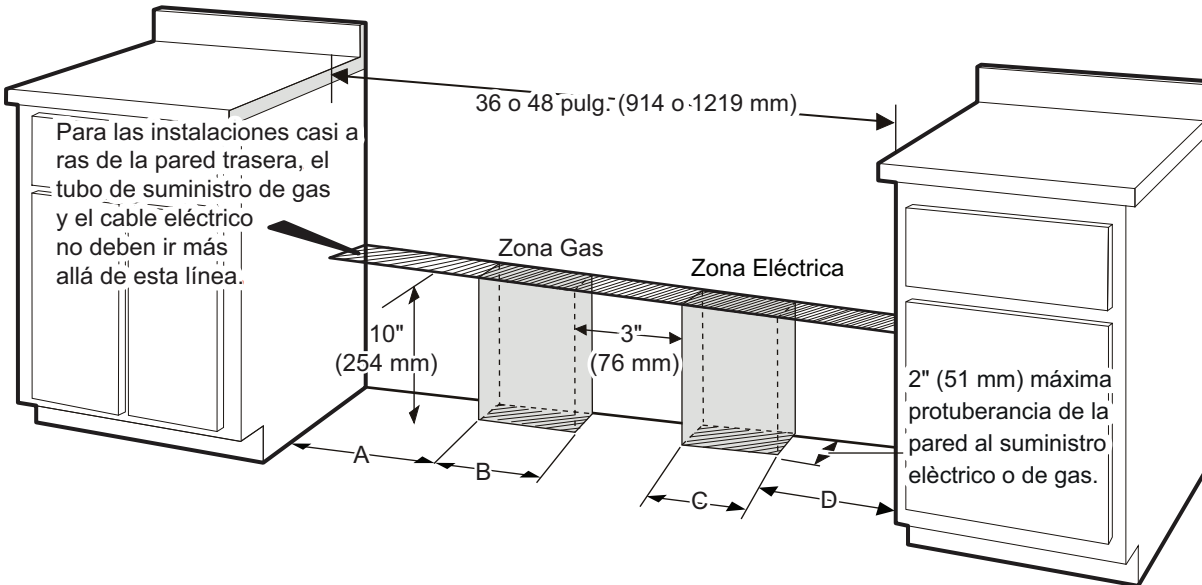
## Instalación con el adorno tipo isla incluida



$\Delta$  Tal como se define en el "Código Nacional de Gas Combustible" ANSI Z223.1, edición actual. Los espacios libres para las materias no combustibles no forman parte de la norma ANSI Z21.1 y no están certificados por la CSA. Los códigos locales o la autoridad local competente deben aprobar los espacios libres de menos de 12 pulg. (305 mm).

Figura 4: Instalación con el adorno tipo isla incluida

## Zonas de suministro de gas y alimentación eléctrica



Modelo	A	B	C	D
36 pulg. (913 mm)	9 $\frac{1}{8}$ pulg. (232 mm)	7 $\frac{7}{8}$ pulg. (187 mm)	7 $\frac{7}{8}$ pulg. (187 mm)	9 $\frac{1}{8}$ pulg. (232 mm)
48 pulg. (1219 mm)	23 $\frac{1}{8}$ pulg. (587 mm)	7 pulg. (178 mm)	7 pulg. (178 mm)	7 $\frac{7}{8}$ pulg. (200 mm)

Figura 5: Suministro de gas y alimentación eléctrica de las estufas mixtas

### NOTA:

- Si aún no existe, instale una válvula manual de cierre de gas en un lugar de fácil acceso.
- Asegúrese de que todos los usuarios sepan dónde y cómo cerrar el suministro de gas de la estufa.
- Se deben sellar todas las aberturas situadas en la pared detrás de la estufa y en el piso debajo de la estufa.

Se puede conectar la estufa de gas a la fuente de alimentación eléctrica con un cable eléctrico (proporcionado con la estufa) o mediante una conexión directa a la fuente de alimentación. Es responsabilidad del instalador proporcionar los componentes correctos del cableado (cable o conducto y alambres) y conectar el aparato al gas conforme a los códigos y regulaciones locales, o al Código Eléctrico Nacional. La toma de tierra de los aparatos se debe hacer adecuadamente. Consulte el "PASO 7: Requisitos de alimentación, conexión eléctrica, y de toma de tierra".

**Se debe conectar la estufa solamente al tipo de gas para el cual está certificada.** Cuando conecte el aparato a gas propano, asegúrese de que el tanque de gas propano venga con su propio regulador de alta presión además del regulador de presión que se incluye con la estufa (vea el "PASO 6: Requisitos de gas y conexión de gas").

**NOTA:** La estufa está diseñada para estar nivelada casi perfectamente con la pared trasera. Para lograr una instalación exitosa, puede ser necesario que tenga que volver a colocar la línea de suministro de gas y los cables eléctricos según va empujando la estufa hacia su posición final.

- **SUGERENCIAS:** Para conseguirlo, le sugerimos jalar cuidadosamente el suministro de gas y el cable eléctrico con una cuerda o un cordel mientras empuja la estufa hacia su posición final.

## Alimentación Eléctrica

Se debe planear la instalación de la estufa de tal modo que la placa de la caja de conexiones del enchufe o de la conexión al gas deje el máximo espacio libre detrás del aparato.

Cuando se conecta el cable de alimentación o el conducto al receptáculo de acoplamiento o a la cubierta de la caja de conexiones, el conector enchufe / receptáculo o la cubierta de la caja de conexiones / conducto no debe salir más de 2 pulg. (51 mm) de la pared trasera (vea la *Figura 6*).

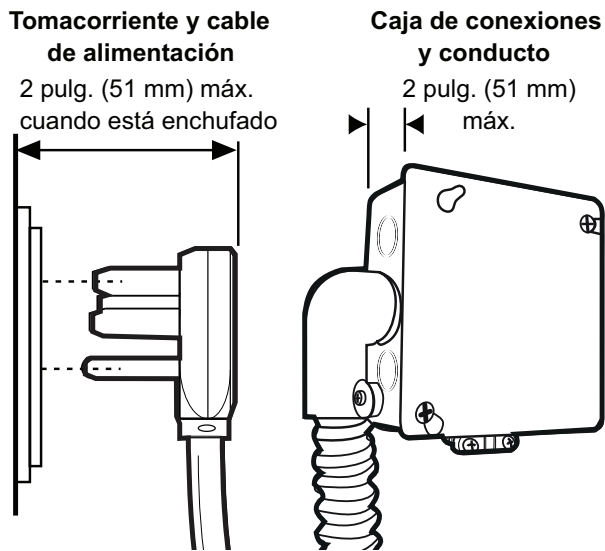


Figura 6: Conexión en la pared

Para minimizar amarres una vez que el aparato está conectado al enchufe o a la caja de conexiones, oriente el enchufe o el conector de conductor y deslícelo hasta su posición original.

**NOTA:** Los modelos de estufas destinados al mercado canadiense están equipados con un cable de alimentación.

## PASO 3: Desempacar y mover la estufa

### Desempacar la estufa

1. Quite la caja exterior de cartón y el material de empaque de la plataforma de expedición, pero deje las láminas de espuma adhesivas encima de las superficies de metal cepillado para proteger el acabado contra los rasguños hasta colocar la estufa en su posición final.

2. Quite la(s) puerta(s) (vea el “PASO 4: Quitar y reinstalar la puerta”); sin embargo, no quite el cajón calentador o la puerta de la hornilla al vapor. Esto reducirá considerablemente el peso del aparato, como se muestra en la Tabla A, y permitirá a la estufa entrar por en puertas de 30 pulg. (762 mm) (vea los espacios libres mencionados).
3. La estufa tiene un peso de expedición parecido al peso indicado en la tabla A. Se deben quitar las rejillas, la plancha, las tapas de los quemadores y las rejillas de la hornilla para facilitar el manejo. No quite el elemento de la plancha y el ensamblaje de la plancha.

	36 PULG ESTUFA	48 PULG ESTUFA
Peso de expedición	420 lbs (191 kg)	590 lbs (268 kg)
Peso sin material de empaque	360 lbs (163 kg)	530 lbs (240 kg)
Peso sin puerta, tapas de quemadores y rejillas de la hornilla	260 lbs (118 kg)	390 lbs (177 kg)

Tabla 1: Peso de modelo

## Mover la Estufa

### ⚠ PRECAUCIÓN



NO levante la estufa por la agarradera de la puerta, ya que esto puede dañar las bisagras de la puerta y causar que la puerta ya no quepa bien en la cavidad de la hornilla.

NO levante el aparato por el panel de control.



La estufa es pesada y se debe manejar en consecuencia. Para evitar lesiones y no dañar el aparato o el piso, se debe utilizar el equipo apropiado y por lo menos dos personas equipadas adecuadamente para mover la estufa.

Dichas personas deben llevar guantes de protección y evitar llevar anillos, relojes u otros objetos parecidos que pueden dañar o engancharse en el aparato.

Las superficies ocultas del aparato pueden tener salientes cortantes. Tenga cuidado al sujetar el aparato por debajo o por atrás.

No use una carretilla de mantenimiento manual o un carro para electrodoméstico en las partes frontal o trasera del aparato. Úselos únicamente en los lados.

Debido al peso de la estufa, se debe usar una plataforma de ruedas suaves o un ascensor hidráulico para transportar este aparato. Se debe repartir el peso uniformemente en la plataforma.

Todas las estufas están sujetadas a la plataforma con cuatro (4) pernos fijados a bloques de madera. Se puede acceder a los dos pernos de la plataforma solamente después de haber quitado el adorno de la puerta, situado debajo de las puertas.

1. Para quitar el adorno, afloje los dos tornillos que le sujetan al aparato y empujelo hacia arriba.

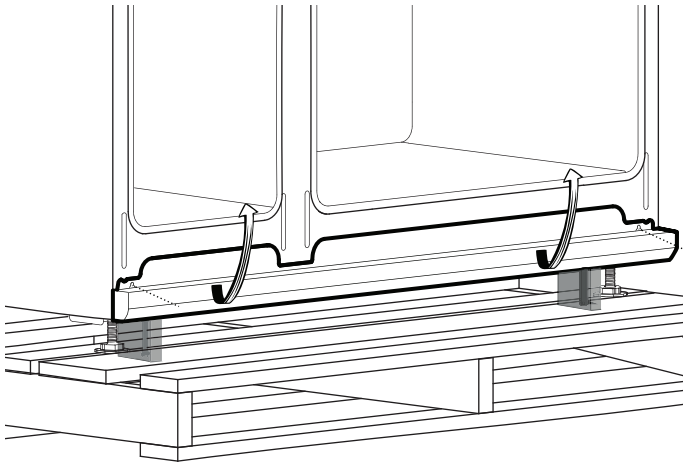


Figura 7: Para quitar el adorno,

2. Después de quitar los pernos de la plataforma de expedición con dos llaves de  $\frac{1}{2}$  pulg. (13 mm) – una para sujetar el perno de la base, otra para destornillar el perno de arriba – y de tirar los bloques de madera del embalaje, apoye cuidadosamente la estufa en de las patas traseras para quitarla de la plataforma de expedición. Si hace falta, pídele a alguien que le ayude a quitar la plataforma de expedición.

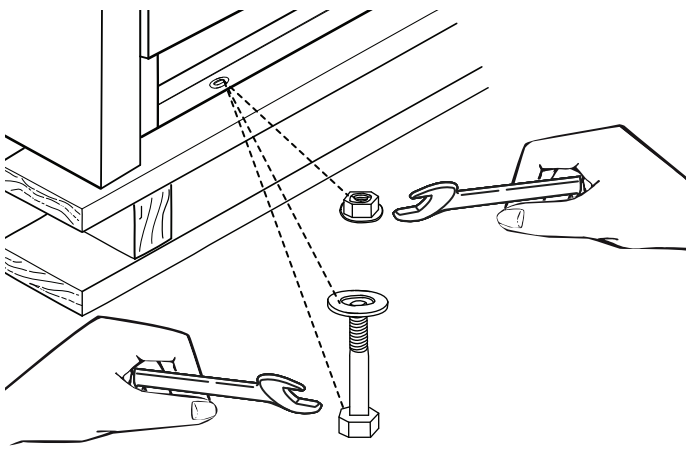


Figura 8: Pernos de la plataforma

3. **Modelos PRDS48JDSGU/C:** Para tener acceso a los pernos de la plataforma de expedición situados debajo del cajón calentador, alcance la tuerca detrás y sobre la estructura del aparato y sujétela con una llave de  $\frac{1}{2}$  pulg. (vea la Figura 9). Use otra llave para aflojar la tuerca situada abajo. NO quite el cajón calentador.

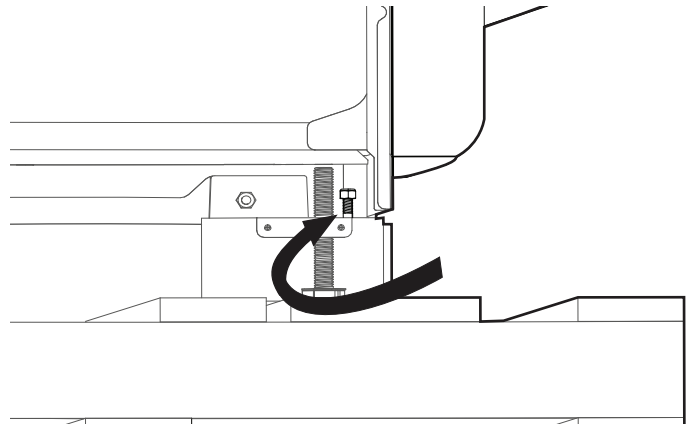


Figura 9: Quite la tuerca del cajón calentador situada en la plataforma de expedición

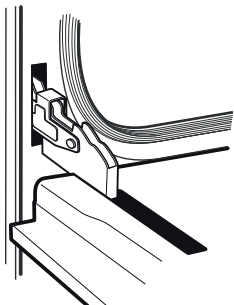
4. Si hace falta, pídele a alguien que le ayude a quitar la plataforma de expedición.
5. Después de transportar la estufa profesional por medio de la plataforma cerca de su destino final, incline la estufa y saque la plataforma.
6. **PROTEJA EL PISO DEBAJO DE LAS PATAS ANTES DE EMPUJAR EL APARATO EN SU POSICIÓN FINAL.**
  - PASO 5 – 8 antes de instalar la estufa en su posición final.

## PASO 4: Quitar y reinstalar la puerta

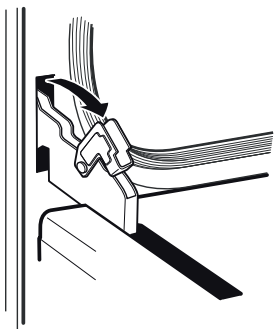
### ⚠ PRECAUCIÓN

- Asegúrese de que la hornilla esté fría y que la corriente esté desconectada antes de quitar la puerta. De otro modo podría recibir una descarga eléctrica o quemarse.
- La puerta de la hornilla pesa mucho y es frágil. Use ambas manos para quitar o reinstalar la puerta.
- Si no agarra la puerta de la hornilla firme y correctamente, podría lesionarse o dañar el producto.
- Nunca suelte la agarradera de la puerta de la hornilla para intentar cerrar las bisagras cuando ha quitado la puerta. Sin el peso de la puerta, los poderosos resortes cerrarán las bisagras con mucha fuerza.

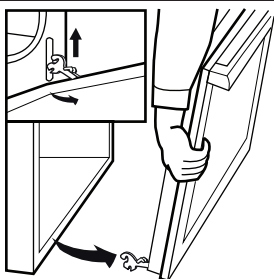
### Para quitar la puerta de la hornilla



1. Asegúrese de leer la advertencia aquí arriba antes de quitar la puerta.
2. Abra completamente la puerta.



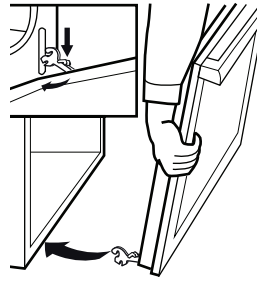
3. Empuje los soportes de las bisagras hacia abajo. Puede ser que necesite un destornillador para hacerlas bascular.
4. Cierre la puerta despacio hasta apoyarla contra los soportes de las bisagras. Cuando éstas están en posición abierta, la puerta se queda abierta a un ángulo de unos 30° respecto a su posición cerrada.



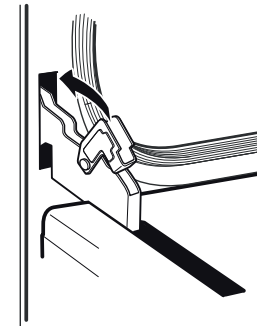
5. Agarre la puerta de los extremos y levántela. Los resortes ofrecerán un poco de resistencia.
6. Levante la puerta despacio para sacarla de los agujeros de las bisagras.
7. Guarde la puerta en un lugar seguro y estable.

Figura 10: Para quitar la puerta de la hornilla

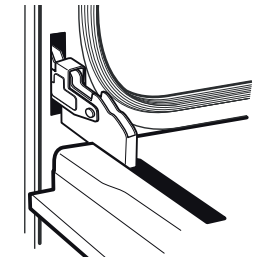
### Para reinstalar la puerta de la hornilla



1. Sujete la puerta firmemente con sus dos manos.
2. Coloque la puerta en un ángulo de 30° respecto a su posición cerrada. Inserte las bisagras centrándolas en las ranuras. Cuando se instalan correctamente, los soportes se agarran sólidamente en las ranuras. No fuerce o tuerza la puerta.



3. Abra completamente la puerta para exponer las bisagras, las palancas y las ranuras.
4. Haga bascular las bisagras hacia delante y por abajo hasta apoyarlas en las ranuras. Puede ser que necesite un destornillador para volver a poner los soportes a su sitio.



5. Cierre y abra la puerta para asegurarse de que esté adecuadamente instalada.

Figura 11: Para reinstalar la puerta de la hornilla

### Verificación de la instalación y del funcionamiento de la puerta

1. Abra y cierre la puerta lentamente para asegurarse de que se mueva normalmente y que esté ajustada a la cavidad de la hornilla. No fuerce para abrir o cerrar la puerta. Si está bien instalada, debería moverse fácilmente y, cuando está cerrada, estar alineada con la parte frontera de la hornilla.
2. La estufa debe estar nivelada para que se alineen adecuadamente las puertas de la hornilla. Vea la "PASO 9: Colocar y nivelar la estufa".
3. Si no funciona adecuadamente, asegúrese de que las bisagras descansen en sus ranuras y que los soportes estén en el fondo de las ranuras.
4. Para las 48" hornillas, si la puerta o la agarradera parecen levemente desniveladas, puede ajustar su inclinación apretando o aflojando el tornillo se encuentra directamente encima de la ranura de la

bisagra. Apriétela o aflójela según el ajuste que haga falta para alinear correctamente la puerta.

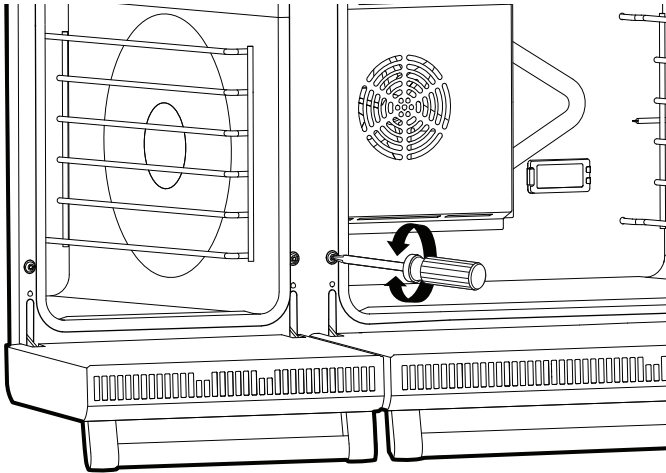


Figura 12: Tornillo de ajuste de la bisagra

**NOTA:** La puerta de la estufa de vapor no es ajustable.

### Ajuste del cajón calentador

1. Para ajustar el ángulo de inclinación del cajón calentador, de forma que la cara delantera esté a ras de la cara delantera de la puerta de la estufa de vapor, afloje los dos (2) tornillos de ambos lados del cuadro del cajón. Apriete los tornillos.
2. Para ajustarlo de forma que haya una separación uniforme entre las puertas de la estufa, afloje los cuatro (4) tornillos de la parte trasera de la puerta del cajón calentador. Ajuste la altura de la puerta del cajón calentador para que la parte inferior corresponda a la parte inferior de la puerta de la estufa principal.

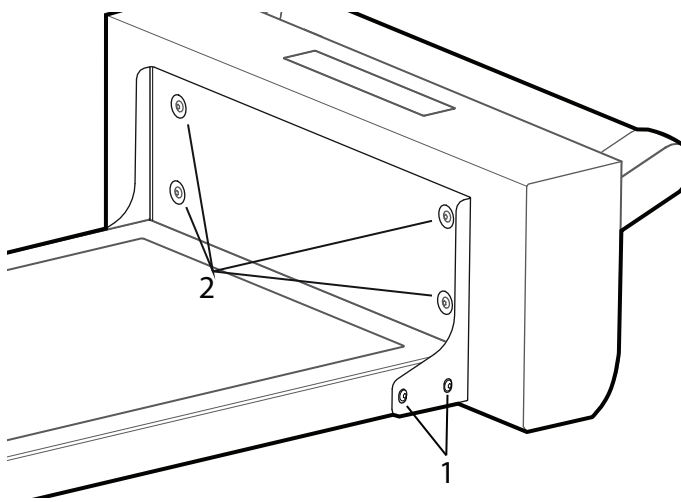


Figura 13: Ajuste de la parte frontal del cajón calentador

## PASO 5: Instalación del dispositivo antivuelco

### ⚠ ADVERTENCIA



#### RIESGO DE VUELCO DE LA ESTUFA:

- Un niño o un adulto podrían volcar el aparato y perder la vida.
- Asegúrese de que el dispositivo antivuelco esté instalado adecuadamente y que su soporte retenga la pata del aparato, conforme a las instrucciones de instalación.
- Asegúrese de que el dispositivo antivuelco retenga la pata del aparato al reinstalarlo en su sitio.
- No utilice el aparato si el dispositivo antivuelco no está instalado y no retiene el aparato.
- El hecho de no leer las instrucciones de este manual puede causar la muerte o graves quemaduras a niños y adultos.

Cuando jale la estufa de la pared por motivos de limpieza, servicio u otra razón, asegúrese de volver a insertar correctamente el dispositivo antivuelco cuando empuje la estufa contra la pared. Sino, en el caso de un uso poco normal de la estufa (por ejemplo si alguien trepa, se sienta o se apoya sobre una puerta abierta), ésta podría volcarse. El hecho de ignorar esta precaución puede causar el vuelco de la estufa, lo que podría causar lesiones debido a líquidos calientes derramados o al peso mismo de la estufa.

### ⚠ ADVERTENCIA

#### RIESGO DE DESCARGA ELÉCTRICA

- Tenga mucho cuidado cuando perforo orificios en una pared o en el piso ya que puede haber cables eléctricos ocultos.
- Identifique los circuitos eléctricos que podrían encontrarse en el sitio donde se instalará el dispositivo antivuelco y apague la corriente de estos circuitos.
- La falta de observar estas instrucciones puede causar una descarga eléctrica o lesiones graves.

## PRECAUCIÓN! — DAÑOS A LA PROPIEDAD:

- Contacte a un instalador o contratista cualificado para determinar el mejor método para perforar los orificios a través de la pared o del piso teniendo en cuenta el material (cerámica, madera dura, etc.).
- No deslice la estufa sobre un piso desprotegido.
- Si no lee estas instrucciones podría dañar la pared o la superficie del piso.

NO DE PIEZA	CANTIDAD	DESCRIPCIÓN
00415078	4	Tornillos Phillips, #10 x 1½"
00655322	1	Soporte antivuelco

### Información de instalación importante:

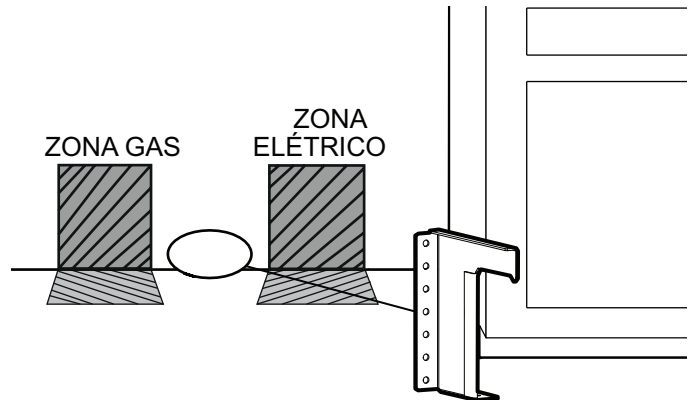
- Si se fija el soporte antivuelco a un armario de madera sólido, su pared deber tener un grosor mínimo de ¾ pulg. (19 mm). El grosor de la pared o del piso puede requerir tornillos más largos, disponibles en su ferretería local.
- Use los anclajes apropiados cuando fije el soporte antivuelco a cualquier material que no sea madera o metal.
- En todos los casos, se deben fijar al menos dos (2) tornillos de fijación para instalarlo en el piso o dos tornillos de fijación (o anclajes par muro de yeso-cartón) para fijarlo en la pared situada detrás del aparato (vea las *Figura 14* y *Figura 15*).

## Preparación de la abertura en el lugar de instalación

- Para paredes, pernos de pared o pisos hechos de madera sólida o metal, perforo orificios de 1/8 pulg (3 mm).
- Para paredes o pisos hechos de muro seco, tablaroca u otros materiales suaves, perforo orificios de 3/16 pulg (5 mm) a una profundidad mínima de 1¼ pulg (45 mm), luego inserte taquetes de plástico en cada orificio usando un martillo.
- Para paredes o pisos hechos de cemento o bloques de concreto, perforo orificios de 3/16 pulg(5mm) a una profundidad mínima de 1¼ pulg (45mm), luego inserte de taquetes para concreto en cada orificio usando montaje un martillo.
- Para paredes o pisos que están cubiertos con azulejos de cerámica, perforo orificios de 3/16 pulg (5mm) solamente a través del azulejo, luego perforo el material detrás del azulejo como se indica arriba.

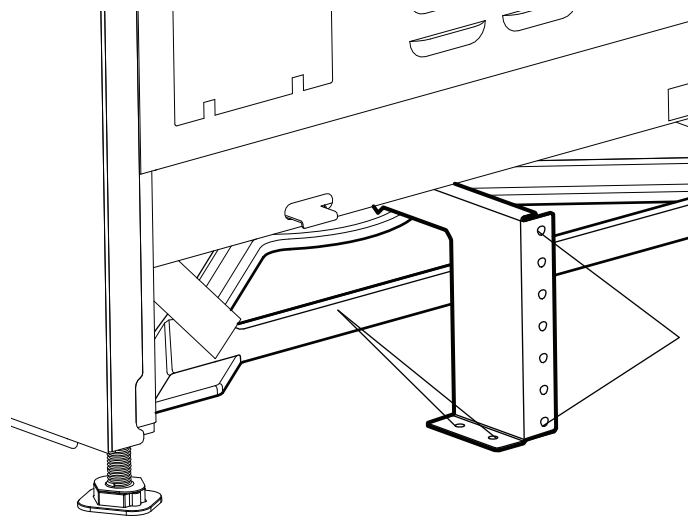
## Montaje del soporte antivuelco

1. Coloque el soporte en el piso, cerca del centro del sitio donde se instalará el aparato (*Figura 14*).



**Figura 14: Ubicación para la instalación del dispositivo antivuelco**

2. Fije el soporte en el travesaño de pared o en el piso con los tornillos proporcionados.
3. Luego, cuando el aparato está instalado, las patas ajustables permitirán a la base moldada de deslizarse debajo del gancho del soporte para estabilizar el aparato.
4. Si se desplaza la estufa a un nuevo lugar, se debe quitar y reinstalar el dispositivo antivuelco.



**Figura 15: Soporte antivuelco**



## PASO 6: Requisitos de gas y conexión de gas

Verifique el tipo de gas que se está usando en el lugar de instalación. Asegúrese de que la estufa corresponda al tipo de gas disponible en el sitio donde se instala. Cuando salen de la fábrica, los aparatos vienen configurados para un uso con gas natural y se debe convertir para un uso con gas propano.

### REQUISITOS PARA GAS NATURAL

<b>Conexión de entrada:</b>	NPT 3/4" (19 mm) externo NPT 1/2" (12,7 mm) interno (flexible – mín. de 3/4" de diámetro)
<b>Presión de suministro:</b>	6" min. a 14" máx. (14,9 mb a 34,9 mb) de columna de agua
<b>Presión del colector:</b>	5" (12,5 mb) de columna de agua

### REQUISITOS PARA GAS PROPANO

<b>Conexión de entrada:</b>	NPT 3/4" (19 mm) externo NPT 1/2" (12,7 mm) interno (flexible – mín. de 3/4" de diámetro)
<b>Presión de suministro:</b>	11" min. a 14" máx. (27,4 mb a 34,9 mb) de columna de agua
<b>Presión del colector:</b>	10" (24,9 mb) de columna de agua

### ▲ PRECAUCIÓN

El aparato debe estar aislado del sistema de tubería de suministro de gas cerrando la válvula manual de cierre durante cualquier prueba de la línea de suministro de gas a presiones de prueba igual a o inferior a 1/2 psi (3,5kPa.).

**Aparatos de gas natural** - Este aparato está certificado para funcionar de forma segura a altas altitudes de hasta 2000 pies (610 m) sobre el nivel del mar. Se debe usar un juego de conversión de altas altitudes (número de serie 00746376), disponible en atención al cliente de THERMADOR. Solamente un profesional cualificado debe proceder a la instalación del juego de conversión.

**Aparatos de gas propano** - Este aparato está certificado para funcionar de forma segura a altas altitudes de hasta 2000 pies (610 m) sobre el nivel del mar. Se debe proceder a la conversión del aparato a gas propano antes de convertirlo para un uso a altas altitudes. Se debe usar un juego de conversión a gas propano (número de serie 00553182), disponible en atención al cliente de Thermador. Para la instalación del aparato a altas altitudes de hasta 10 000 pies (3078 m), se debe usar un juego de conversión a altas altitudes, disponible en atención al cliente de Thermador (número de serie 00746376).

Solamente un profesional cualificado debe proceder a la instalación del juego de conversión.

## Conexión

Un técnico competente debe realizar las conexiones del suministro de gas conforme a los códigos y regulaciones locales. A falta de códigos locales, la instalación debe estar conforme al Código Nacional de Gas Combustible ANSI Z223.1/NFPA54 – edición actual.

- Se debe instalar una válvula manual de cierre del sistema de suministro de gas en un lugar accesible en la parte delantera del aparato. La línea de suministro no debe interferir con la parte trasera del aparato.
  - La estufa viene con su propio regulador de presión montado permanentemente dentro del cuerpo de la estufa.
- Asegúrese de cerrar el suministro de gas con la válvula de cierre manual antes de conectar el aparato (*Figura 16*).
- Utilice un conducto flexible de 3/4 pulg. (19 mm) entre el suministro de gas y la línea de suministro del aparato. La línea de suministro de gas está ubicada detrás de la estufa, abajo a la derecha. La línea externa de suministro de gas del aparato tiene una rosca de tipo NPT 3/4 pulg. (19 mm) y la rosca interna es de tipo NPT 1/2 pulg. (13 mm) (vea la *Figura 16*).
  - Tenga cuidado para no torcer el conducto flexible de 3/4 pulg. (19 mm) cuando lo doble.
  - La longitud recomendada del conducto flexible es de 48 pulg. (1219 mm). Consulte los códigos locales para conocer mejor las exigencias antes de proceder a la instalación.

### ▲ ADVERTENCIA

No quite la placa trasera de la estufa. Sólo un técnico autorizado puede quitarla.

- Siempre use grasa para rosca o cinta de Teflon® en las roscas de los tubos y tenga cuidado para no aplicar demasiada presión al apretar las conexiones. No aplique dicho compuesto o cinta para agrandar las juntas.
- Las pruebas de fugas del aparato deben estar conforme a las siguientes instrucciones.
  - Prenda el gas y revise las conexiones de la línea de suministro para ver si hay fugas usando una solución de agua y jabón.
  - Si aparecen burbujas, esto indica una fuga de gas. Repare todas las fugas de inmediato.

### ⚠ ADVERTENCIA

No use ningún tipo de llama para verificar si hay fugas de gas.

No intente ajustar de ningún modo el regulador de presión.

El aparato debe estar aislado del sistema de tubería de suministro de gas cerrando la válvula manual de cierre durante cualquier prueba de la línea de suministro de gas a presiones de prueba igual a o inferior a 1/2 psi (3,5kPa.).

Se deben desconectar el aparato y su válvula individual de cierre del sistema de suministro de gas durante toda prueba del sistema a presiones por encima de 1/2 psi (3,5kPa.).

Cuando verifique la presión de gas del colector, la presión de entrada al regulador debe ser al menos de 6.0 pulg. (14.9 mb) de columna de agua para gas natural o de 11.0 pulg. (27,4 mb) para gas propano.

El instalador es responsable de asegurarse de que se lleven a cabo la instalación, la conexión de gas y la toma de tierra conforme a todos los códigos locales vigentes.

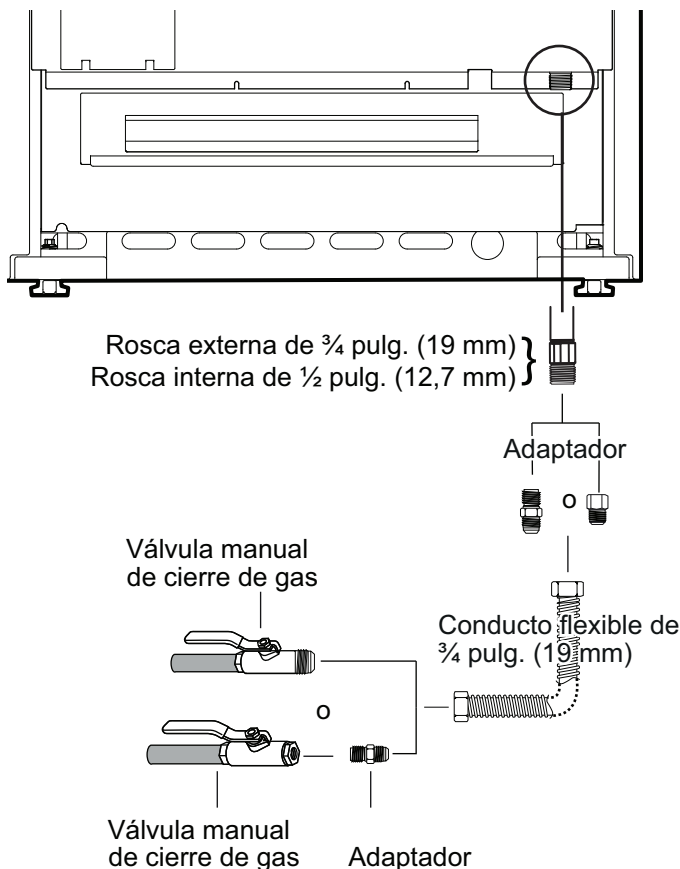


Figura 16: Conexión del colector del suministro de gas

### ⚠ ADVERTENCIA

Cuando conecte el aparato a gas propano, asegúrese de que el tanque de gas propano venga con su propio regulador de alta presión además del regulador de presión que se incluye con la estufa. La máxima presión de gas de este aparato no debe exceder 14.0 pulgadas (34.9 mb) de columna de agua entre el tanque de gas propano y el regulador de presión.

## PASO 7: Requisitos de alimentación, conexión eléctrica, y de toma de tierra

Modelo	Tensión	Capacidad Nominal	Frecuencia	Fase
36"	240/208 VCA	40 A	60 Hz	Mono.
48"	240/208 VCA	50 A	60 Hz	Mono.

Tabla 2: Exigencias para los circuitos de alimentación eléctrica

### ⚠ PRECAUCIÓN

Una fuente de alimentación incorrecta de 240/208 VAC causará el mal funcionamiento de este aparato, dañará la estufa y podría presentar un riesgo de descarga eléctrica.

Antes de proceder al servicio del aparato, desconecte siempre la alimentación del enchufe de la pared, si procede. Si el aparato está conectado de forma directa a la fuente de alimentación, corte la alimentación eléctrica del aparato apagando el disyuntor o el fusible adecuado. Bloquee el panel de servicio para impedir que se encienda accidentalmente la alimentación.

La fuente de alimentación (panel de cortocircuitos / fusibles) debe estar equipada con un cable neutral de alimentación ya que los componentes críticos de la estufa, incluyendo los módulos de reencendido por chispa de los quemadores superficiales, requieren 120 VCA para funcionar correcta y seguramente.

Cuando el circuito eléctrico correcto no es adecuado, es responsabilidad y obligación del instalador y del usuario hacer conectar una fuente de alimentación apropiada por un técnico cualificado. Incumbe al instalador asegurarse de la observación de los códigos locales. La instalación debe estar hecha conforme a todos los códigos y regulaciones locales aplicables. A falta de códigos locales, la conexión

de la fuente de alimentación debe ser conforme al Código Eléctrico Nacional.

La toma de tierra debe estar hecha conforme a todos los códigos vigentes. Sino, se debe aplicar la norma de electricidad ANSI/NFPA No 70 (EEUU) vigente. Consulte la información de la presente sección (Paso 7) para conocer el método de toma de tierra a utilizar.

Los diagramas eléctricos a los que debe recurrir el técnico de servicio cualificado se encuentran detrás del adorno de la puerta de la hornilla (vea *Figura 36*).

Se deben conectar las estufas a la alimentación eléctrica de 240/208 VCA.

Se deben conectar los modelos de estufas mixtas a la fuente de alimentación eléctrica utilizando uno de los siguientes métodos. Para todos los métodos de conexión, la longitud del cable o del conducto / cableado debe permitir que la unidad pueda sacarse completamente de los armarios sin que se tenga que desenchufar o desconectar el aparato de la fuente de alimentación. La longitud mínima recomendada para el cable o conducto es de cuatro pies. Las instalaciones eléctricas y la toma de tierra deben estar conformes a todos los códigos y regulaciones locales, o al Código Eléctrico Nacional, según el caso.

## Conexión Permanente

Se pueden conectar los aparatos directamente a la fuente de alimentación. El instalador debe suministrar un conducto flexible de aluminio aprobado, de un tamaño comercial de 3/4 pulg. (19 mm), de una longitud máxima de 6 pies (1,8 metro).

### ⚠ ADVERTENCIA

La incorrecta conexión del cable de aluminio puede presentar un riesgo de descarga eléctrica. Una únicamente conectores diseñados y certificados para una conexión con un cable de aluminio.

Localice la caja de conexiones en la parte trasera del aparato y quite la cubierta (consulte la *Figura 17*). Se debe fijar el conducto a la caja de conexiones utilizando un conector de conducto aprobado. Se debe conectar la extremidad libre del conector de conducto a una caja de conexiones instalado en la zona de alimentación eléctrica, como se muestra en la *Figura 5*.

Instale un prensacables (no incluido) en el orificio de 1 pulg. (25,4 mm) de diámetro situado debajo de la caja de conexiones (vea la *Figura 17*). El cableado del aparato debe llegar hasta la caja de conexiones mediante el conducto, pasando a través del prensacables. Las extremidades de los cables deben tener fijadas lengüetas

cerradas de 1/4 pulg., preferentemente soldadas en su lugar. Realice las conexiones a la caja de conexiones incluida (vea la *Figura 17*).

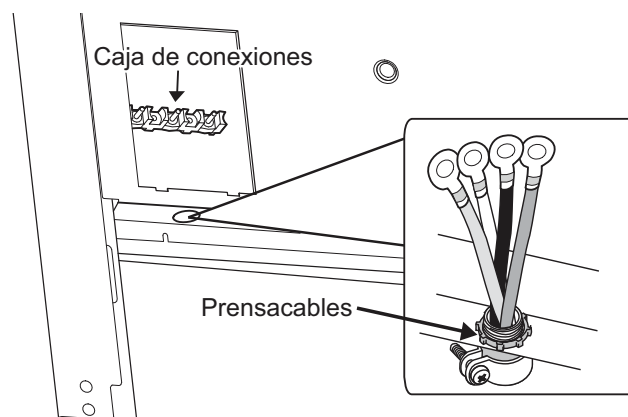
Si se usa un cable de aluminio en la instalación, empalme el cable de aluminio con un cable de cobre de un grosor adecuado, para que se adapte a la estufa, utilizando conectores especialmente diseñados y certificados para unir cables de aluminio y de cobre. Siga el proceso de instalación recomendado por el fabricante del conector.

## Conexión de 4 cables

Generalmente se debe conectar el aparato a la fuente de alimentación con un cable de 4 conductores, tripolar, para un voltaje nominal de 125/250 voltios, 50 amperios, y marcada para un uso con estufas.

Se debe fijar el cable a la caja de conexiones de la estufa con un prensacables que cabe en un orificio de un diámetro de 1" (25.4 mm). Si no viene ya equipado, el cable debe tener lengüetas cerradas de 1/4" (6,35 mm), fijadas a los extremos libres de los conductores individuales, de preferencia soldadas en su lugar.

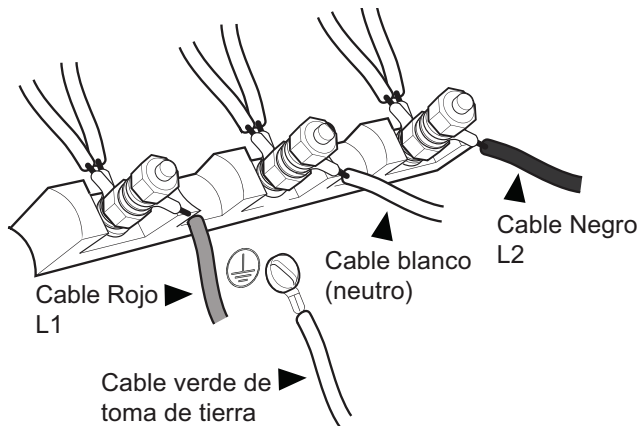
1. Localice la caja de conexiones en la parte trasera del aparato y quite la cubierta (consulte la *Figura 17*).
2. Instale el prensacables (no incluido con la estufa) en el orificio de 1 pulg. (6 mm) de diámetro situado en el panel trasero, debajo de la caja de conexiones (vea la *Figura 17*). Pase los cables por el prensacables.



**Figura 17: Ubicación del prensacables**

3. Quite las tuercas superiores solamente de los bornes de la caja de conexiones. No quite las tuercas inferiores que fijan los cables del cableado interno a la estufa
4. Fije el cable neutro de toma de tierra del circuito de alimentación al contacto central de la caja de conexiones con una tuerca (vea la *Figura 18*).
5. Fije los conductores de alimentación L1 (rojo) y L2 (negro) a los contactos de la caja de conexiones exterior (color latón) con tuercas.

- Quite el tornillo verde del cable de toma de tierra situado debajo de la caja de conexiones. Tire del cable blanco.
- Fije el cable desnudo de cobre de toma de tierra al chasis de la estufa utilizando el tornillo de toma de tierra previamente usado con el cable blanco. Asegúrese de que los bornes de neutro y de toma de tierra no hagan contacto.
- Apriete bien todas las conexiones.



**Figura 18: Conexión de cuatro cables**

- Reinstale la cubierta de la caja de conexiones.

**INSTALADOR** – muestre al propietario la ubicación del disyuntor o del fusible. Márquela para recordarla más fácilmente.

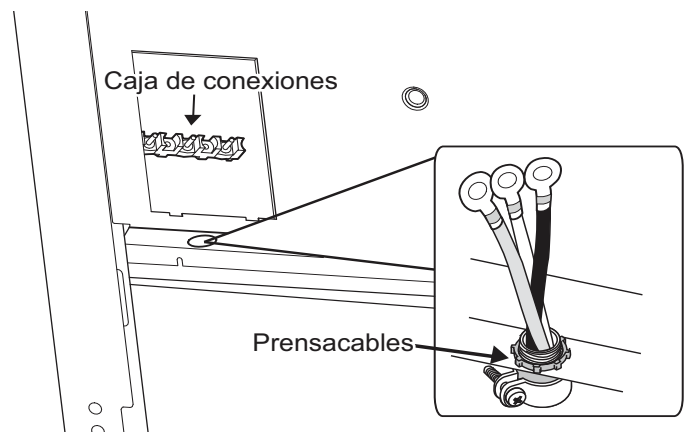
## Conexión de 3 cables

Donde los códigos y las regulaciones locales permiten la toma de tierra a través del conductor neutro, y la conversión de alimentación a 4 cables es algo irrealizable, se puede conectar el aparato a la fuente de alimentación con un cable de 3 conductores, tripolar, con un voltaje nominal de 125/250 voltios, 50 amperios, marcada para un uso con estufas.

Fije el cable a la caja de conexiones de la estufa con un prensacables que quepa en un orificio de un diámetro de 1 pulg. (25,4 mm). Si no es el caso, el cable debe tener lengüetas cerradas de ¼ pulg. (6,35 mm), fijadas a los extremos libres de los conductores individuales, preferentemente soldadas en su lugar.

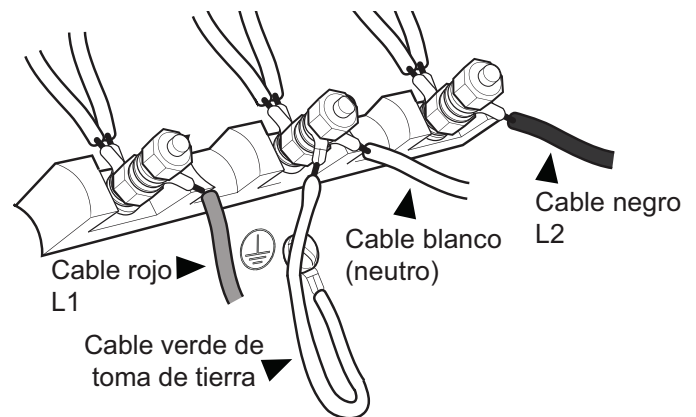
- Localice la caja de conexiones en la parte trasera del aparato y quite la cubierta (consulte la *Figura 19*).
- Instale el prensacables (no incluido con la estufa) en el orificio de 1 pulg. (6 mm) de diámetro situado en el panel trasero, debajo de la caja de conexiones (vea la

*Figura 19*). Pase los cables por el prensacables.



**Figura 19: Ubicación del prensacables**

- Quite solamente las tuercas superiores de los contactos de la caja de conexiones. No quite las tuercas que fijan los cables del cableado interno de la estufa.
- Fije el cable neutro de tierra del circuito de alimentación al contacto central (color plata) de la caja de conexiones (vea la *Figura 20*).
- Fije los conductores de alimentación L1 (rojo) y L2 (negro) a los contactos correspondientes de la caja de conexiones exterior (color latón) con tuercas.
- Fije una de las extremidades del cable neutro lazado, situado debajo de la caja de conexiones, al contacto central de la caja de conexiones con una tuerca y fije la otra extremidad a la parte trasera de la estufa.
- Apriete bien las tuercas.



**Figura 20: Conexión de 3 cables**

- Reinstale la cubierta de la caja de conexiones.

**INSTALADOR** – muestre al propietario la ubicación del disyuntor o del fusible. Márquela para recordarla más fácilmente.

## PASO 8: Instalación de la consola trasera (opcional)

Modelo	Consola trasera baja	Adorno tipo isla
36"	PA36JLBG	con la estufa
48"	PA48JLBG	con la estufa
48" de vapor	PA48JLBSG	con la estufa

Tabla 3: Números de modelo para las consolas traseras

### ⚠ ADVERTENCIA



Para evitar posibles quemaduras o incendios, se debe quitar todo el material del embalaje del accesorio antes de usarlo.

### ⚠ ADVERTENCIA

Tenga cuidado para no pellizcarse les dedos o las manos al instalar la consola trasera. Podría lesionarse gravemente. Lleve guantes de protección gruesos para evitar cortarse o lastimarse los dedos o las manos al deslizar la consola sobre la estufa.

Los métodos de instalación varían según las necesidades. Antes de empezar, lea atentamente estas instrucciones. Observe todos los códigos locales.

### Instalación de la consola trasera de protección (PA[30,36,48]JBS)

Piezas incluidas	Herramientas requeridas
 10 – tornillos de 1 pulg. (25,4 mm)	Destornillador o punta Phillips
 1 – consola trasera de protección	Cinta métrica

Se debe instalar la consola trasera de protección antes de instalar una campana, ya que la campana cubre los tornillos de fijación superiores de la consola trasera de protección.

Para proteger la consola trasera de protección contra los rasguños, deje la lámina adhesiva de plástico que la cubre hasta terminar la instalación.

Si la estufa ya está instalada, consulte las instrucciones del fabricante para desconectar el suministro de gas y la alimentación eléctrica. Desplace la estufa para tener acceso a la pared trasera.

- Localice y marque los sitios donde pasan los travesaños de pared. Normalmente, los travesaños de pared se instalan a intervalos de 16 pulg. o 24 pulg. (406 mm o 610 mm).
- La altura de la campana determinará la altura de instalación del borde superior de la consola trasera de protección. Se debe instalar la consola trasera de protección para que el borde inferior de la campana cubra la parte superior de la consola trasera de protección de 1-½ pulg. (38 mm).
- Utilice dos de los tornillos proporcionados para fijar las partes inferior y superior de la consola trasera de protección a cada travesaño de pared (vea la *Figura 21*).
  - En algunos casos, y teniendo en cuenta la anchura variable de los travesaños de pared y de las consolas traseras de protección, se puede encontrar únicamente un travesaño de pared en el sitio de instalación.
- Quite la lámina de protección de plástico.

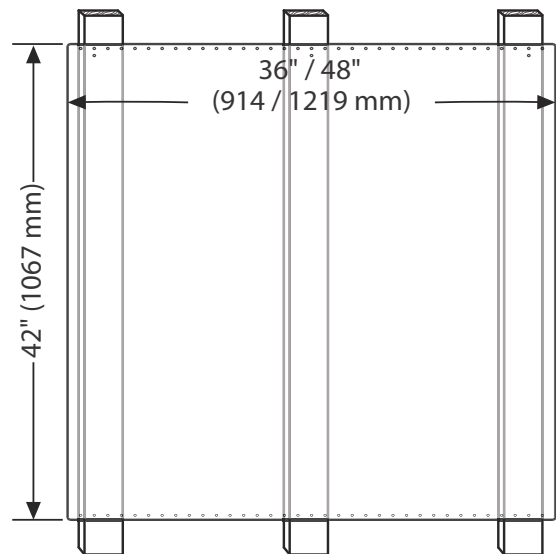


Figura 21: Instalación de la consola trasera

## Instalación de la consola trasera de protección con un estante guarda-caliente

Se puede instalar primero la campana si instala la consola trasera de protección con un estante guarda-caliente ya que este estante cubrirá los tornillos de fijación superiores de la consola trasera de protección (Figura 22).

Para proteger la consola trasera de protección de rasguños, deje la lámina adhesiva de plástico que la cubre hasta terminar la instalación.

Si la estufa ya está instalada, consulte las instrucciones del fabricante para desconectar el suministro de gas y la alimentación eléctrica. Desplace la estufa para tener acceso a la pared trasera.

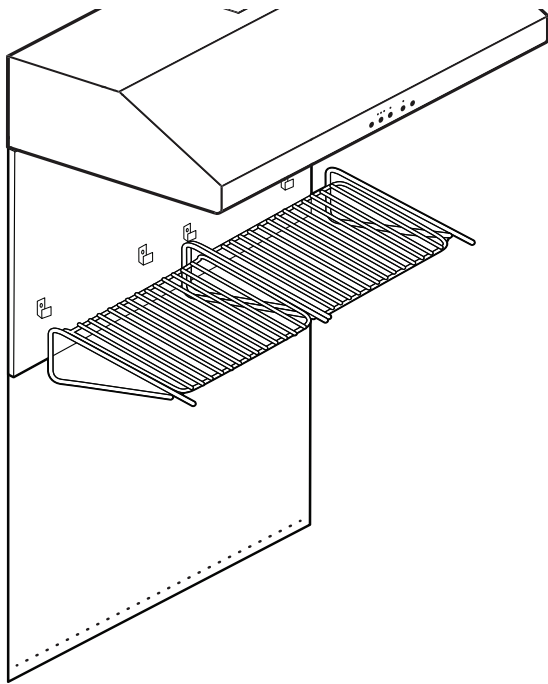


Figura 22: Consola trasera de protección con estante guarda-caliente

1. Localice y marque los sitios donde pasan los travesaños de pared. Normalmente, los travesaños de pared se instalan a intervalos de 16 pulg. o 24 pulg. (406 mm o 610 mm).
2. La altura de la campana determinará la altura de instalación del borde superior de la consola trasera de protección. Se debe instalar la consola trasera de protección para que la parte trasera del estante guarda-caliente cubra la parte superior de la consola trasera de protección de 1 ½ pulg. (38 mm).
3. En el lugar indicado en la Figura 23, fije los soportes inferiores proporcionados con el estante guarda-caliente a través de la consola trasera de protección en los travesaños de pared.

- En algunos casos, y teniendo en cuenta la anchura variable de los travesaños de pared y de las consolas traseras de protección, se puede encontrar únicamente un travesaño de pared en el sitio de instalación.

4. Quite la lámina de protección de plástico.
5. Comience la instalación del estante guarda-caliente.

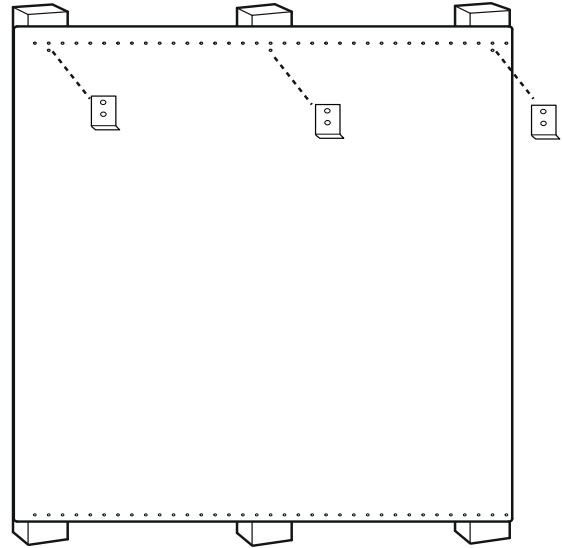


Figura 23: Consola trasera de protección con estante guarda-caliente

## Estante guarda-caliente (KHS[30,36,42,48]QS)

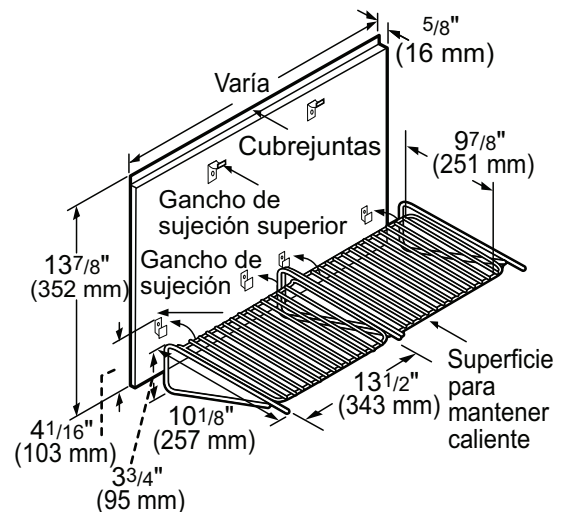



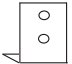

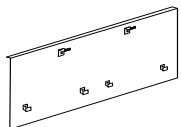
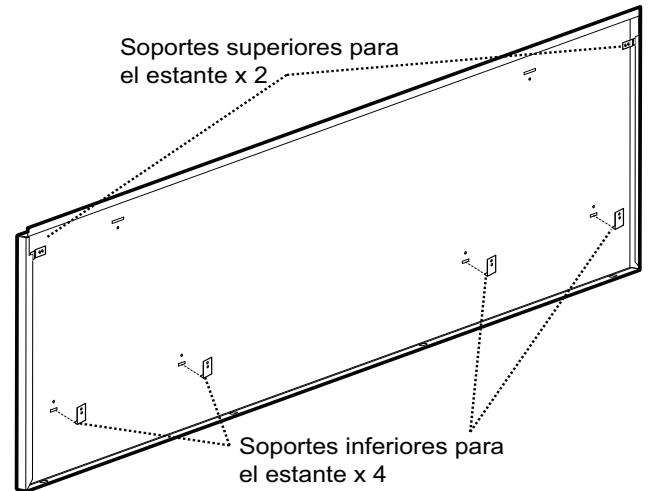


Figura 24: Estante guarda-caliente

PIEZAS INCLUIDAS	HERRAMIENTAS REQUERIDAS
 10 – tornillos de 1 pulg. (25,4 mm) 4 – tornillos de ½ pulg. (12,7 mm)	Cinta métrica
 4 – tuerca en U	Cinta de pintor
 2 – soportes superiores para el estante	Destornillador o punta Phillips
 4 – soportes inferiores para el estante	Cuchillo o tijeras
 2 – rejillas guarda-caliente	
 1 – consola trasera para estante guarda-caliente	
1 – manual de instalación y patrón de papel	

- Pegue con cinta los patrones de papel proporcionados con el estante guarda-caliente de la forme siguiente:
  - Pegue la hoja titulada [Left Hand Template](#) en la esquina inferior izquierda alineando el borde inferior de la campana y la línea superior del patrón.
  - Pegue la hoja titulada [Right Hand Template](#) en la esquina inferior derecha alineando el borde inferior de la campana y la línea superior del patrón.
  - Pegue la hoja titulada [Installation Instruction](#) para que la flecha de encima del patrón esté alineada con la línea central de la campana. Alinee el borde inferior de la campana y la línea superior del patrón.
  - Los lados del patrón deben corresponder a la longitud del estante.
- Instale los dos soportes superiores del estante y los tres soportes inferiores del estante en los sitios indicados en los patrones. Fíjelos con los diez tornillos de 1 pulg. (25,4 mm) proporcionados.
- Corte el patrón alrededor de los soportes y quítelo de la pared. No lo tire antes de terminar la instalación del estante guarda-caliente.
- Inserte las cuatro tuercas en los cuatro soportes inferiores del estante.

- Instale la placa mural colocando las muescas de las esquinas (dorso de la placa mural) encima de los dos soportes superiores del estante. Deslice el accesorio del estante hacia arriba hasta que la parte inferior se enganche en los soportes inferiores (*Figura 25*).
- Asegúrese de que la parte superior del accesorio del estante esté bien fijada tirando de la parte superior del accesorio del estante.



**Figura 25: 48 Pulg Dorso de la placa mural**

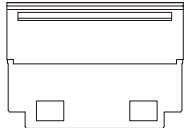

- Asegúrese de que la parte superior del accesorio del estante esté bien fijada tirando de la parte superior.
- Fije la parte inferior del accesorio del estante con los cuatro tornillos ½ pulg. (12,7 mm) proporcionados.

## Instalación de la consola trasera baja

Cuando se instala sobre una superficie combustible, se debe usar una consola trasera baja. Se debe comprar por separado una consola trasera baja THERMADOR®. Vea la sección sobre los espacios libres en la página 6 para obtener más información.

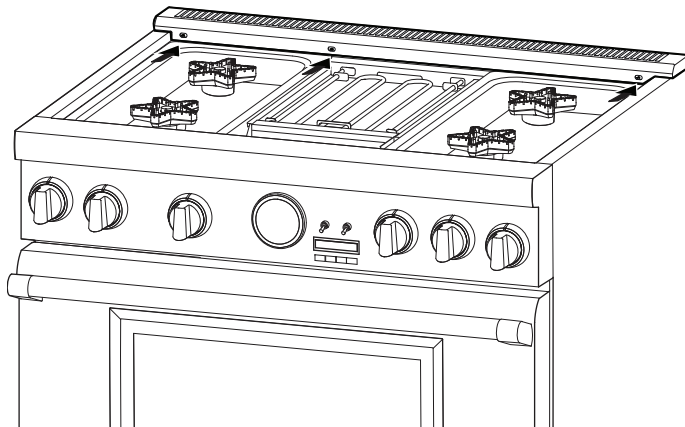
Cuando se utiliza el adorno de isla THERMADOR, hace falta un espacio libre trasero mínimo de 12 pulg. (305 mm) entre el aparato y la superficie combustible (vea la Figura 1, Espacios libres para los armarios). Los espacios libres para las materias no combustibles no forman parte de la norma ANSI Z21.1 y no están certificados por la CSA. Los códigos locales o la autoridad local competente deben aprobar los espacios libres de menos de 12 pulg. (305 mm).

**NOTA:** Si se usa una consola trasera de protección con la consola baja, instale primero la consola trasera de protección, luego la consola baja antes de volver a colocar la estufa en su sitio.

Piezas proporcionadas con la consola baja	Herramientas requeridas
 1 – panel	Destornillador o punta Torx T-20
 9 o 8 – tornillos Torx T-20 de acero inoxidable 8 o 6 – tornillos de punta Torx T-20	Guantes de protección

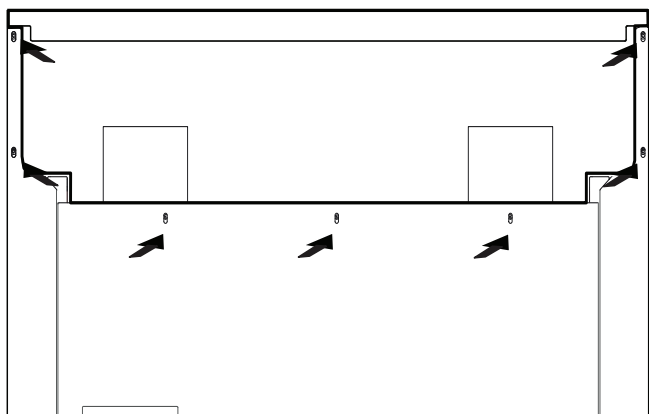
## Instalación de la consola trasera baja

1. Según el modelo, quite los tres o cuatro tornillos Torx T-20 de acero inoxidable de la cara frontal del adorno tipo isla proporcionado.



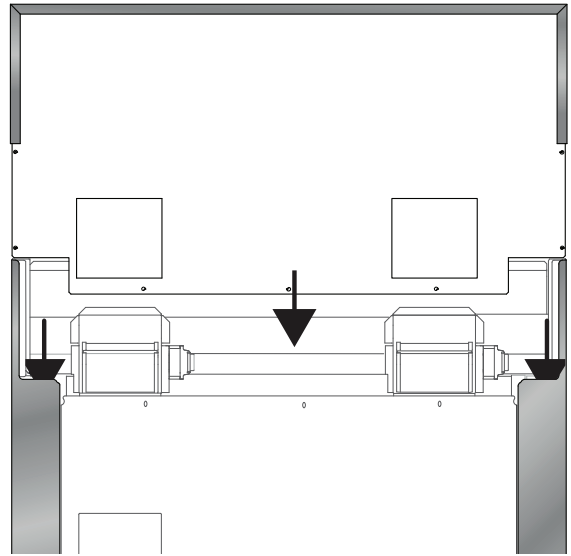
**Figura 26: Como quitar los tornillos de la cara frontal del adorno tipo isla**

2. Quite los cuatro tornillos de punta que retienen el adorno a los paneles laterales y los dos o cuatro tornillos de punta que retienen la placa trasera en su sitio. Levante el adorno para quitarlo totalmente.



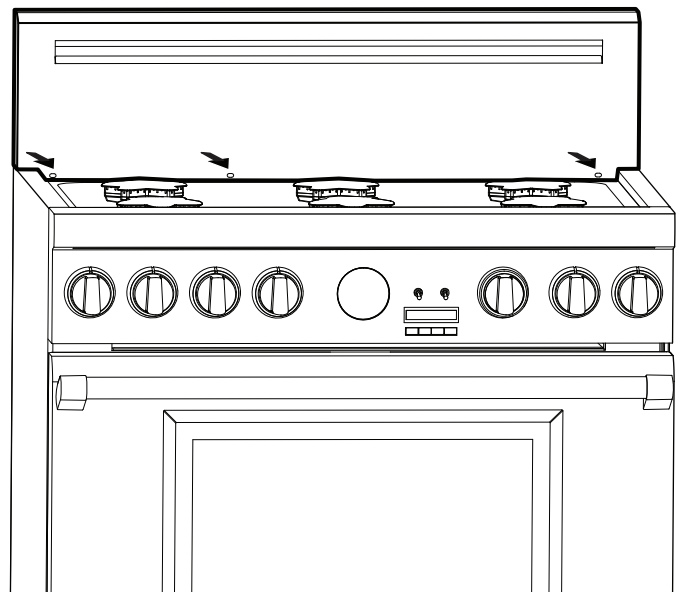
**Figura 27: Como quitar los tornillos de la parte trasera del adorno de isla**

3. Alinee el panel trasero del nuevo accesorio con las pestañas de los rincones de izquierda y derecha de los paneles laterales. La consola trasera se inserta en los canales guías situados detrás de la estufa.



**Figura 28: Instalación de la consola trasera baja**

4. Asegúrese de que la parte frontal de la consola esté fuera de la pestaña en la parte delantera de la estufa.



**Figura 29: Vista frontal de la consola trasera baja**

5. Vuelva a instalar los tornillos que quitó en los pasos 1 y 2.



## PASO 9: Colocar y nivelar la estufa

### Patas de nivelación

#### ▲ PRECAUCIÓN

Los bordes superiores de los paneles laterales de la estufa deben estar a la misma altura o más altos que la encimera adyacente. Si se usa la estufa a una altura más baja que la encimera adyacente, los armarios podrían estar expuestos a temperaturas excesivas, lo que podría dañar la encimera y los armarios (vea la *Figura 30*).

Para obtener un rendimiento óptimo, la estufa debe estar nivelada. Esto es muy importante para todos los aparatos que vienen equipados con una plancha). La cavidad de la hornilla también debe estar nivelada para obtener un rendimiento óptimo.

Los modelos de 36 y 48 pulg. tienen cuatro patas de nivelación, una en cada esquina, enroscadas en la estructura base de aluminio fundido.

1. Mida la altura de la encimera con una cinta métrica y añada 1/16-1/8 pulg. (2-3 mm). Ajuste adecuadamente las patas antes de empujar la estufa en su posición final.

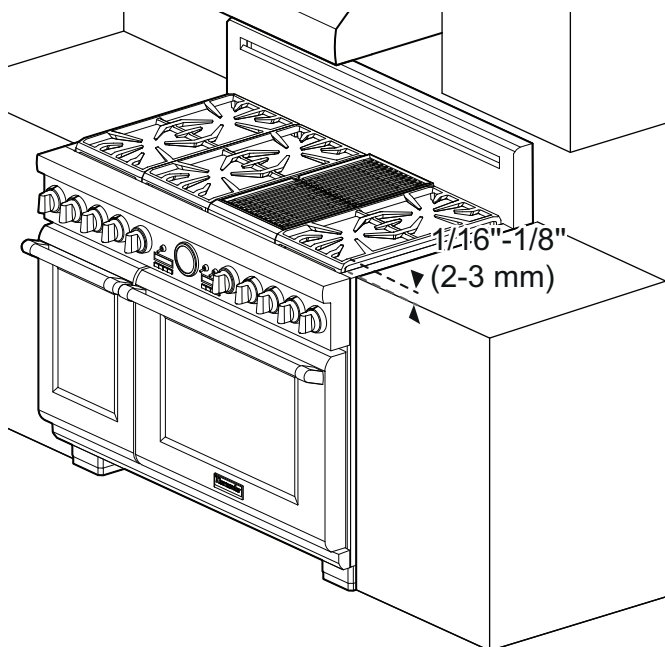


Figura 30: Ajuste de la altura de la estufa

2. Gire los lados planos de cada pata con una llave ajustable de 12 pulg. (305 mm).

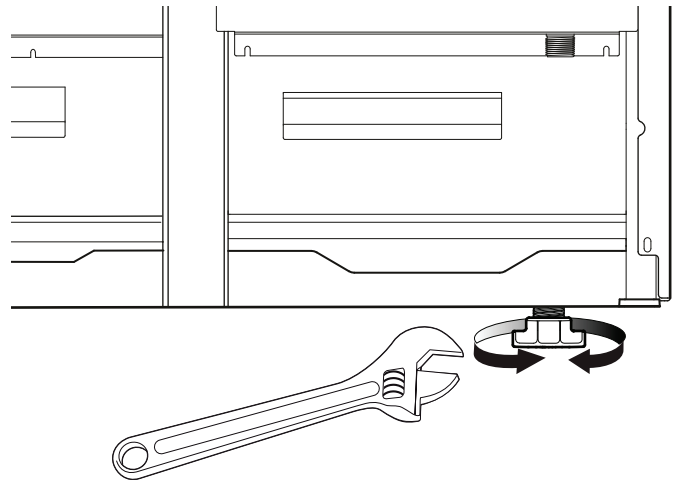


Figura 31: Patas de nivelación

3. El ajuste de la altura se debe hacer poco a poco, alternando entre cada una de las cuatro patas hasta que los bordes superiores de los paneles laterales de la estufa estén aproximadamente a la misma altura que la encimera.
4. Los ajustes finales de la altura de las dos patas traseras se deben hacer antes de mover la estufa hacia su posición final entre los armarios.
5. En el momento de instalar la estufa en su posición final, asegúrese de que el gancho del soporte antivuelco se inserte correctamente en la brida trasera de la base moldada (vea el "PASO 5: Instalación del dispositivo antivuelco" en la página 70). Para comprobar si se engancha, puede mirar a través de la abertura delante del aparato, cerca del piso.
6. Cuando la estufa se halle en su posición final, los ajustes de altura finales y el alineamiento con la encimera se hacen con las dos patas delanteras.

### Ajuste de la inclinación de la plancha (no todos los modelos)

Consulte la sección titulada "Uso de la plancha" del manual de uso y cuidado.

### Ensamblaje de la parrilla (no todos los modelos)

Consulte la sección titulada "Uso de la parrilla eléctrica" del manual de uso y cuidado.

## Instalación de las Cubiertas de Patas

1. Quite el revestimiento de plástico de las cubiertas de acero inoxidable.
2. Coloque la pieza más corta, con los cortes hacia arriba, dentro de la pieza más ancha, con la parte abierta de las dos piezas hacia atrás.

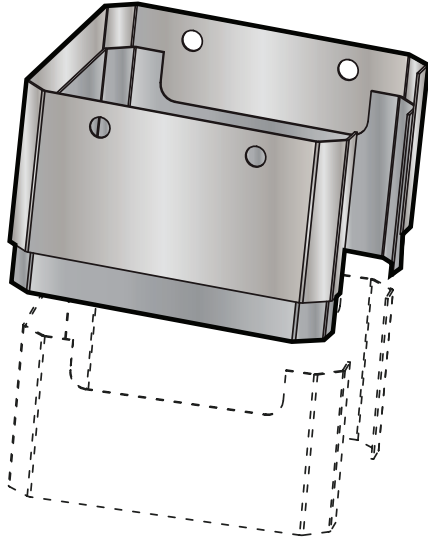


Figura 32: Cubiertas de Patas

3. Debajo de la estufa, instale las piezas ensambladas alrededor de una pata.
4. Deslice la pieza exterior hacia arriba dejando la pieza interior descansar en el piso. La otra pieza tiene muescas en las que la pieza más ancha debe engancharse. Debería sentir un chasquido indicando que el dispositivo está fijado correctamente al aparato.

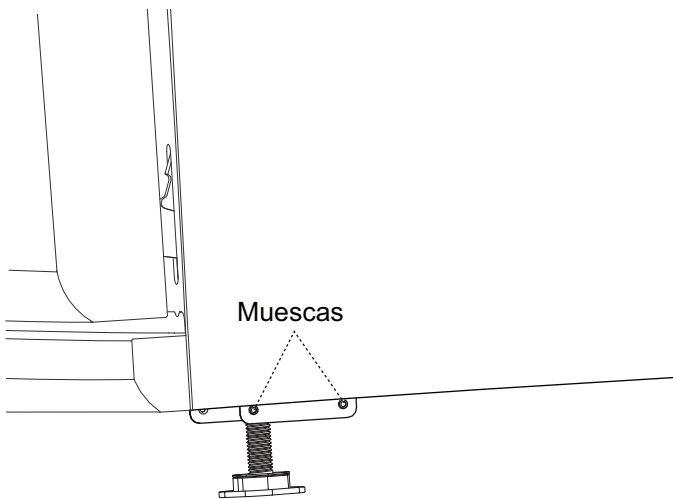


Figura 33: Muecas

5. Fije el ensamblaje de las cubiertas a través de los agujeros hundidos con dos tornillos Torx de acero inoxidable de ½ pulg. (incluidos), como se muestra aquí abajo.

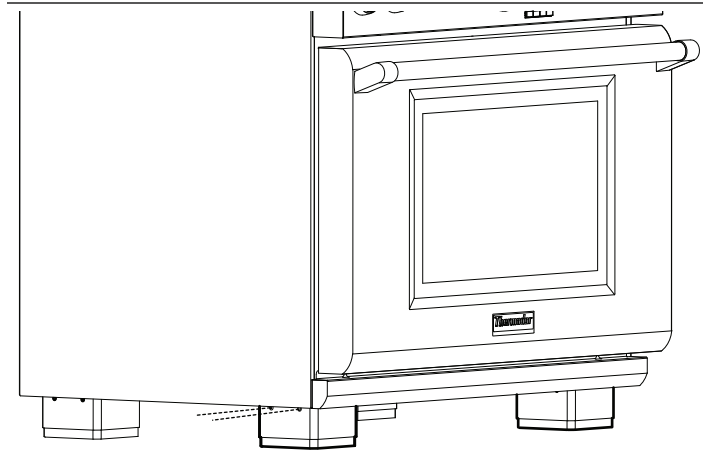




Figura 34: Cubiertas de patas muescas extruidas

6. Repita el proceso con todas las patas visibles.
  - Si hace falta, puede ordenar gratuitamente más cubiertas llamando a atención al cliente al 1-800-735-4328 hasta un año después de la fecha de compra del aparato. Al ordenarlas, mencione el juego de cubiertas de patas (Leg Cover Kit) número 00751305.

## Rodapié (opcional) (PA[36,48]JTKG)

Piezas incluidas del rodapiés	Herramientas requeridas
 1 – rodapié	Destornillador o punta Torx T-20
 4 – tornillos de punta Torx T-20	Guantes de protección

1. Quite las cubiertas de las patas deslizando la pieza exterior de la cubierta de la pata hacia abajo, desenganchando las muescas extruidas de la base de aluminio (vea la Figura 34).
2. Quite la lámina de protección de plástico que cubre el rodapié.
3. Bajo la estufa, con los orificios y las pestañas giradas hacia arriba, instale el rodapié alrededor de la base moldada de aluminio.
4. La pieza de acoplamiento está equipada a cada lado con muescas extruidas que se deben insertar en los orificios del rodapié. Debería sentir un chasquido indicando que el dispositivo está fijado correctamente.

5. Instale el rodapié a ambos lados del aparato fijándolo en los orificios de instalación extruidos con los tornillos de punta Torx T-20 proporcionados.

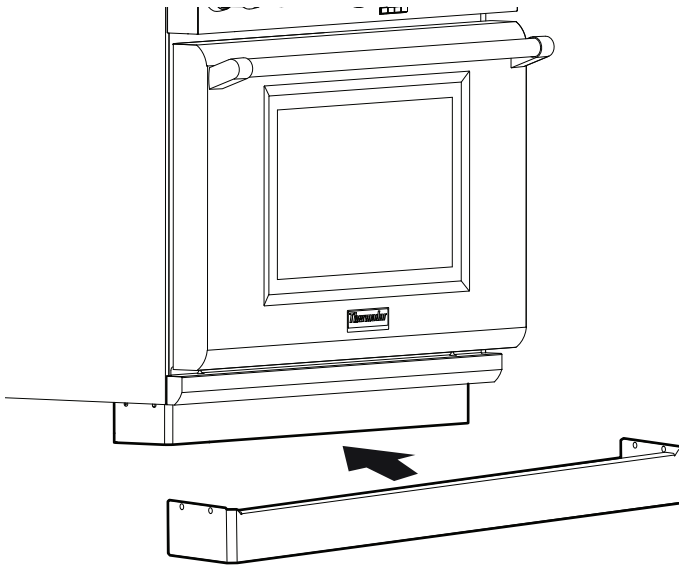


Figura 35: Instalación del rodapié

## Placa de señalización

La placa de señalización indica el número de modelo y de serie de su estufa. Se encuentra en el espacio que hay entre el lado derecho del hueco de la hornilla y el panel lateral de la estufa.

El diagrama del cableado eléctrico detrás de la placa no se debe quitar, excepto por un técnico de mantenimiento. Vuelva a ponerlos en su sitio después de realizar el mantenimiento.

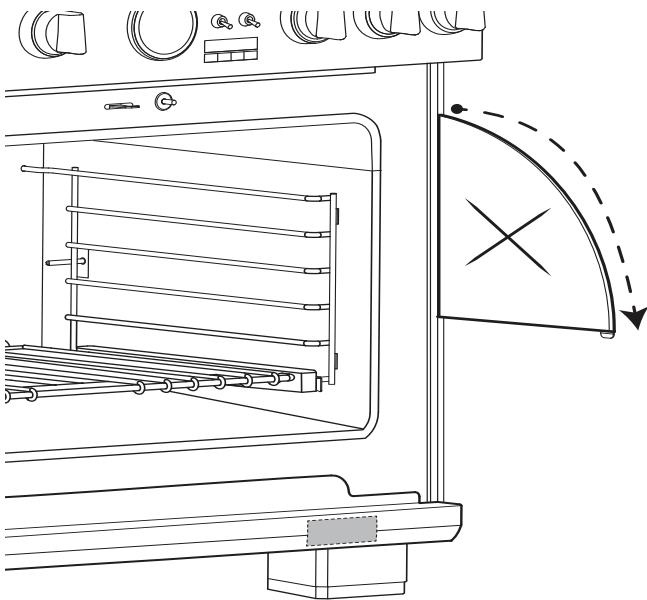


Figura 36: Ubicación de la placa de señalización

## PASO 10: Pruebas de los quemadores

Instale los componentes sueltos que quitó anteriormente, como las tapas y las rejillas de los quemadores. Asegúrese de asentar correctamente las tapas de los quemadores en sus bases. Antes de probar el funcionamiento del aparato, asegúrese de que no haya fugas de gas en la línea de suministro y que el aparato esté conectado a la fuente de alimentación eléctrica. Abra la válvula de cierre de gas.

**NOTA:** Antes de encender la hornilla, todas las perillas deben estar en la posición OFF. Para prevenir un funcionamiento no querido al encender la hornilla, coloque todas las perillas en la posición OFF. Para garantizar la seguridad del usuario en el caso de un apagón, un mensaje señalando un error aparece en la pantalla del aparato cuando vuelve la electricidad, a menos que todas las perillas estén en la posición OFF. Coloque todas las perillas en la posición OFF y reinicie el automático para eliminar el mensaje.

## Pruebas de los quemadores de la superficie de la estufa

### Prueba del encendedor de los quemadores

Seleccione la perilla de un quemador de la estufa. Presiónela y gire en sentido antihorario hasta HI. El módulo de chispa producirá un chasquido. Una vez que el aire se haya vaciado de las líneas de alimentación, el quemador debería encenderse en menos de cuatro (4) segundos.

### Prueba de llama: opción Alta

Gire la perilla del quemador a HI. Vea la *Figura 37* para conocer las características de una llama correcta.

Si uno de los quemadores sigue produciendo una llama casi o completamente amarilla, asegúrese de que el casquillo del quemador esté posicionado apropiadamente en su base y vuelva a probar. Si las características de la llama no mejoran, póngase en contacto con THERMADOR.

### Prueba de llama: opción Fuego lento

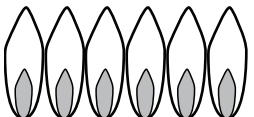
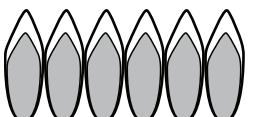
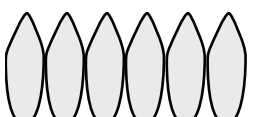
Gire la perilla del quemador a SIM. Asegúrese de que la llama rodee completamente el quemador. Debe haber una llama en cada orificio del quemador y no debe haber un espacio de aire entre la llama y el quemador. Si uno de los quemadores no propaga la llama adecuadamente, póngase en contacto con THERMADOR.

Cuatro quemadores de la superficie de la estufa, dos a la izquierda y dos a la derecha, tienen la función XLO<sup>®</sup>, que crea un ciclo en que la llama se enciende y apaga. Esta es una operación normal.

**Cuando la llama está ajustada correctamente:**

Debería salir una llama por cada orificio del quemador. No debería haber un espacio de aire entre la llama y los orificios del quemador.

Repita este proceso con todos los quemadores de la estufa.

<p><b>Flama amarilla:</b> Se requiere más ajuste.</p>	
<p><b>Puntas amarillas sobre conos:</b> Normal para Gas LP.</p>	
<p><b>Flama azul suave:</b> Normal para Gas Natural.</p>	

Si la flama es casi o completamente amarilla, verifique que el regulador está establecido para el combustible correcto. Posterior al ajuste, vuelva a probar.

Se pueden producir algunas rayas anaranjadas en el encendido inicial.

Permita que la unidad trabaje durante 4-5 minutos y vuelva a evaluar antes de realizar ajustes.

**Figura 37: Características de las llamas**

**Cuando la flama está ajustada correctamente:**

Debe haber una flama en el puerto de cada quemador. No debe haber un espacio de aire entre la flama y el quemador.

**Llame a THERMADOR si:**

1. Cualquiera de los quemadores no encienden.
2. Cualquiera de los quemadores continúan produciendo flama amarilla.

# Lista de chequeo para el instalador

- \_\_\_\_\_ Se respetaron los espacios libres especificados entre la estufa y los armarios adyacentes.
- \_\_\_\_\_ Aparato nivelado y cubiertas de patas instaladas.
- \_\_\_\_\_ Tapas de quemadores correctamente colocadas sobre sus bases.
- \_\_\_\_\_ Se quitó todo el material de embalaje.
- \_\_\_\_\_ Se fijó el adorno de tipo isla o la consola trasera conforme a las instrucciones.
- \_\_\_\_\_ Verifique la llama de cada quemador. Debe corresponder a la descripción de llama del Paso 10. La llama puede tardar varios minutos para quemar todas las impurezas que se encuentran en los conductos de gas.
- \_\_\_\_\_ Verifique la función ExtraLow para asegurarse de que funcione y que la llama se vuelva a encender en todo el quemador.

## Suministro de Gas

- \_\_\_\_\_ Conexión: NPT, 3/4 pulg. (19 mm) con un conducto flexible de un diámetro mínimo de 3/4 pulg. (19 mm).
- \_\_\_\_\_ El aparato está conectado solamente al tipo de gas para el cual está certificado.
- \_\_\_\_\_ Se instaló la válvula de cierre manual de gas en un lugar accesible (sin que se tenga que mover la estufa). El propietario sabe dónde está la válvula de cierre manual de gas.
- \_\_\_\_\_ Se comprobó que no hay fugas de gas.
- \_\_\_\_\_ Si la estufa usa gas propano, asegúrese de que el tanque de gas propano venga con su propio regulador de alta presión además del regulador de presión que se incluye con la estufa.
- \_\_\_\_\_ La máxima presión de gas de este aparato no debe exceder 14.0 pulgadas (34.9 mb) de columna de agua entre el tanque de gas propano y el regulador de presión.

## Electricidad

- \_\_\_\_\_ Se usa un enchufe protegido contra las subidas de tensión de corriente en el cable de alimentación.
- \_\_\_\_\_ Toma de tierra adecuada.
- \_\_\_\_\_ El propietario sabe dónde está el disyuntor principal.

## Funcionamiento

- \_\_\_\_\_ Las perillas están centradas y giran libremente.
- \_\_\_\_\_ Cada quemador prende bien, tanto en forma individual como junto con otros quemadores funcionando.
- \_\_\_\_\_ Las bisagras de la puerta de la hornilla están enganchadas y se cierran correctamente. La agarradera y la puerta de la hornilla están niveladas y centradas. La puerta se abre y cierra correctamente.
- \_\_\_\_\_ Las rejillas de los quemadores están posicionadas correctamente, están niveladas y no se mueven.
- \_\_\_\_\_ **INSTALADOR:** escriba el número de modelo y el número de serie de la placa de señalización en la Manual de Cuidado y Uso. Deje el Manual de Cuidado y Uso y el Manual de Instalación al dueño del aparato.

## Limpieza y protección de las superficies exteriores

- Frote siempre el acero inoxidable en el sentido del grano.
- Para limpiar y proteger el acero inoxidable, utilice el producto Stainless Steel Conditioner de Thermador, disponible en la tienda en línea de Thermador ([www.thermador-eshop.us](http://www.thermador-eshop.us)).
- Se pueden limpiar las superficies de acero inoxidable con un trapo húmedo, jabonoso, enjuagar con agua limpia y secar con un trapo suave para evitar la formación de marcas de agua. Cualquier detergente suave para vidrio quitará huellas digitales y manchas.
- Para decoloraciones o suciedades persistentes, consulte el manual de uso y cuidado.
- NO permita que suciedades permanezcan por períodos largos de tiempo.
- NO use fibra metálica normal o cepillos metálicos. Se pueden pegar pedazos pequeños de metal a la superficie causando que ésta se oxide.
- NO permita que soluciones salinas, desinfectantes, blanqueadores o compuestos de detergentes tengan contacto prolongado con el acero inoxidable. Muchos de estos compuestos contienen químicos dañinos. Enjuague con agua después de cada exposición y seque con un trapo limpio.

## Resolución de problemas

Para obtener información sobre resolución de problemas, consulte la Guía de uso y cuidado.

Consult with a qualified heating and ventilation specialist for your specific ventilation requirements. We reserve the right to change specifications or design without notice.

Some models are certified for use in Canada. THERMADOR<sup>®</sup> is not responsible for products which are transported from the U.S. for use in Canada. Check with your local Canadian distributor or dealer.

---

Consultez un spécialiste qualifié en chauffage et en ventilation pour connaître les exigences de ventilation précises qui s'appliquent à votre cas. Nous nous réservons le droit de changer les spécifications ou la conception de nos appareils sans préavis.

Certains modèles sont certifiés pour une utilisation au Canada. THERMADOR<sup>mc</sup> n'est pas responsable des produits transportés à partir des États-Unis pour une utilisation au Canada. Informez-vous auprès de votre distributeur ou détaillant local (Canada).

---

Consulte a un especialista cualificado en calefacción y ventilación para conocer las exigencias particulares de ventilación que se aplican en su caso. Nos reservamos el derecho a cambiar las especificaciones o el diseño de nuestros aparatos sin previo aviso.

Algunos modelos están aprobados para un uso en Canadá. THERMADOR<sup>®</sup> no es responsable de los productos transportados desde Estados Unidos para un uso en Canadá. Infórmese con su distribuidor o minorista local (Canadá).

# THERMADOR® Service | Entretien | Mantenimiento

## Service

We realize that you have made a considerable investment in your kitchen. We are dedicated to supporting you and your appliance so that you have many years of creative cooking.

Please don't hesitate to contact our excellent STAR™ Customer Support Department if you have any questions or in the unlikely event that your THERMADOR® appliance needs service. Our service team is ready to assist you.

### USA:

800-735-4328

[www.thermador.com/support](http://www.thermador.com/support)

### Canada:

800-735-4328

[www.thermador.ca](http://www.thermador.ca)

## Parts & Accessories

Parts, filters, descalers, stainless steel cleaners and more can be purchased in the THERMADOR eShop or by phone.

### USA:

[www.thermador-eshop.com](http://www.thermador-eshop.com)

### Canada:

Marcone 800-287-1627

or

Reliable Parts 800-663-6060

## Entretien

Nous savons bien que vous avez investi une somme considérable dans votre cuisine. Nous nous faisons un devoir de vous soutenir pour que vous puissiez profiter pleinement d'une cuisine où vous pourrez exprimer toute votre créativité de nombreuses années durant.

N'hésitez pas à communiquer avec l'un des membres chevronnés de notre équipe de soutien au client si vous avez des questions ou dans le cas plutôt improbable où votre appareil THERMADOR<sup>MC</sup> aurait besoin d'entretien. Notre équipe sera prête à vous aider.

### É.-U. :

800-735-4328

[www.thermador.com/support](http://www.thermador.com/support)

### Canada :

800-735-4328

[www.thermador.ca](http://www.thermador.ca)

## Pièces et Accessoires

Vous pouvez vous procurer par téléphone ou à notre boutique THERMADOR en ligne des pièces, des filtres, des produits nettoyants pour acier inoxydable et plus encore.

### É.-U. :

[www.thermador-eshop.com](http://www.thermador-eshop.com)

### Canada :

Marcone 800-287-1627

or

Reliable Parts 800-663-6060

## Mantenimiento

Nos damos cuenta que Usted invirtió una suma considerable en su cocina. Nos dedicamos a atenderle para que pueda sacar provecho de una cocina donde podrá expresar toda su creatividad durante muchos años.

Por favor, no dude en ponerse en contacto con uno de nuestros empleados ESTRELLAS™ de atención al cliente si tiene preguntas o en el caso más bien improbable que su aparato THERMADOR® necesite mantenimiento. Nuestro equipo estará listo para ayudarle.

### EEUU:

800-735-4328

[www.thermador.com/support](http://www.thermador.com/support)

### Canadá:

800-735-4328

[www.thermador.ca](http://www.thermador.ca)

## Piezas y Accesorios

Usted puede comprar piezas, filtros, productos de limpieza para acero inoxidable por teléfono o en nuestra tienda THERMADOR en línea.

### EEUU:

[www.thermador-eshop.com](http://www.thermador-eshop.com)

### Canadá:

Marcone 800-287-1627

or

Reliable Parts 800-663-6060

**Thermador** 

REAL INNOVATIONS FOR REAL COOKS®

1901 Main Street, Suite 600, Irvine, CA 92614 • 800-735-4328 • [www.thermador.com](http://www.thermador.com)  
9001078740 • Rev. A • 5U06U8 • © BSH Home Appliances Corporation, 05/15