

- en** Installation Instructions  
**fr** Notice d'installation  
**es** Instrucciones de instalación



**BOSCH**

Customer Service:  
1-800-944-2904

These instructions are intended  
for use by qualified installers only





## **Important Safety Instructions: Please READ and SAVE this information**

To avoid possible injury or property damage, **OBSERVE ALL WARNINGS AND CAUTIONS.**

These instructions are intended for use by qualified installers only. The dishwasher must be installed by a qualified service technician or installer.

- In addition to these instructions, the dishwasher shall be installed to meet all electrical and plumbing codes and ordinances (both national and local).

**Read these installation instructions completely and follow them carefully.** They will save you time and effort and help to ensure safety and optimum dishwasher performance.

### **IMPORTANT**

- The dishwasher drain hose must be installed with a portion of it at least 33" (84 cm) off the cabinet floor; otherwise the dishwasher may not drain properly.
- This dishwasher is intended for indoor residential use only, and should not be used in commercial food service establishments.
- This dishwasher is designed to be enclosed on the top and both sides by cabinetry.
- **NEW INSTALLATION** - If the dishwasher is a new installation, ensure all connections are properly made before the dishwasher is moved into place.
- **REPLACEMENT** - If the dishwasher is replacing another dishwasher, check the existing dishwasher connections for compatibility with the new dishwasher, and replace parts as necessary.
- This appliance has been found to be in compliance with CAN/CSA-C22.2 No. 167/UL 749. It is the responsibility of the owner and the installer to determine if additional requirements and standards apply in specific installations.
- Not for outdoor use.

## **WARNING**

### **Avoiding General Hazards**



Do not use the dishwasher until it is completely installed. When opening the door on an uninstalled dishwasher, carefully open the door while supporting the rear of the unit. Failure to follow this warning can cause the dishwasher to tip over and result in serious injury.

Before installing the “L”-shaped supplied countertop mounting brackets (select models), decide which method will be used to secure the dishwasher into its opening. Once these mounting brackets are installed on the dishwasher, removing them is difficult and will damage the mounting brackets and the dishwasher.

In some conditions, hydrogen gas can form in a hot water system that has not been used for weeks. Hydrogen gas is explosive. Before filling a dishwasher from a system that has been off for weeks, run the water from a nearby faucet in a well ventilated area until there is no sound or evidence of gas.

Temperatures required for soldering and sweating will damage the dishwasher’s base and water inlet valve. If plumbing lines are to be soldered or sweated, keep the heat source at least 6 inches (152.4 mm) away from the dishwasher’s base and water inlet valve.

Removing any cover or pulling the dishwasher from the cabinet can expose hot water connections, electrical power and sharp edges or points. Handle with care.



### **Avoiding Electrical Shock/Fire Hazards**

Do not allow the electrical and water supply lines to touch.

Do not work on an energized circuit. Doing so could result in serious injury or death. Only qualified electricians should perform electrical work. Do not attempt any work on the dishwasher electric supply circuit until you are certain the circuit is de-energized.

Make sure electrical work is properly installed. There should be no loose electrical connections. Ensure all electrical connections are properly made.

The customer has the responsibility of ensuring that the dishwasher electrical installation is in compliance with all national and local electrical codes and ordinances. The dishwasher is designed for an electrical supply of 120 V, 60 Hz, AC, connected to a dishwasher-dedicated, properly grounded electrical circuit with a fuse or breaker rated for 15 amps. Electrical supply conductors shall be a minimum #14 AWG copper only wire rated at 75°C (167°F) or higher.

This appliance must be connected to a grounded metal, permanent wiring system, or an equipment-grounding conductor must be run with the circuit conductors and connected to the equipment-grounding terminal or lead on the appliance. Do not use extension cords.



### **Avoiding Plumbing/Scalding Hazards**

Do not perform any work on a charged hot water line. Serious injury could result. Only a qualified plumber should perform plumbing work. Do not attempt any work on the dishwasher hot water supply plumbing until you are certain the hot water supply is shut off.

Do not over tighten the 90° elbow. Doing so may damage the water inlet valve and cause a water leak.

Check local plumbing codes for approved plumbing procedures and accessories. All plumbing should be done in accordance with national and local codes.

These instructions depict an installation method for stainless steel braided hose or PEX hot water supply lines. If using copper tubing or other material for water supply, defer to a licensed plumber for proper installation.

### **Inspect the Dishwasher**

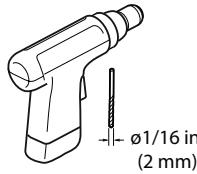
After unpacking the dishwasher and prior to installation, thoroughly inspect the dishwasher for possible freight or cosmetic damage. Report any damage immediately. Cosmetic defects must be reported within 30 days of installation.

*NOTE: Do not discard any bags or items that come with the original package until after the entire installation has been completed.*

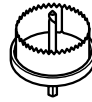
## Tools and Materials Needed



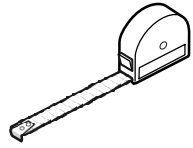
Adjustable Wrench



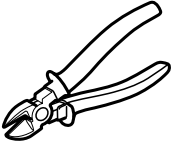
Drill



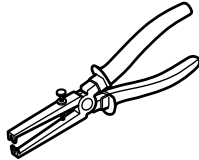
Hole Saw



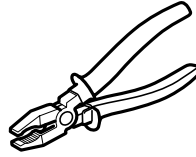
Tape Measure



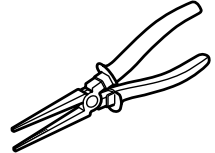
Wire Cutter



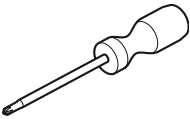
Wire Stripper



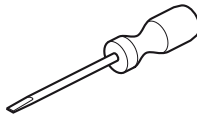
Pliers



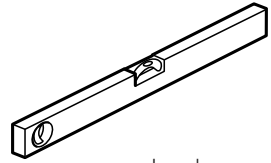
Needle Nose Pliers



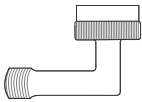
Phillips Screwdriver



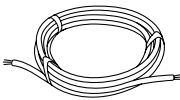
Flat Screwdriver



Level



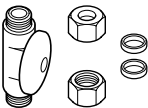
Elbow connection with 3/4" female hose threads on one end and fits your water supply line (copper tubing, compression fitting, or braided hose) on the other.



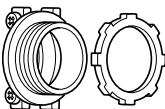
Electrical Supply Cable - Minimum #14 AWG, 2 conductor, 1 ground, insulated copper conductors rated 75° C or higher. Only needed if house electrical line is not adequate.



Hot Water Supply Line - Minimum 3/8" O.D. copper tubing or metal braided dishwasher supply line. Only needed if house water supply line is not sufficient.



Shut-off valve and fittings appropriate for hot water supply line (copper tubing/compression fitting, or braided hose).



UL listed conduit connector or strain relief is required if you attach the field wiring directly to the terminal block.

## Materials supplied (All Models)

A



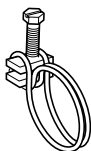
Mounting Bracket Screws  $\varnothing$  4x13 mm

B



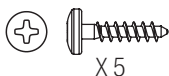
Clamp (for drain hose)

C



Screw Clamp (for drain hose)

D



Screws

E



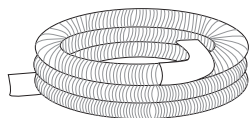
Terminal block cover screw

F



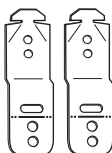
Metal toe panel screws

G



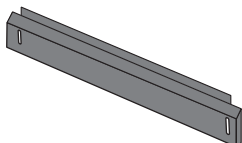
Drain hose

H



Mounting Brackets

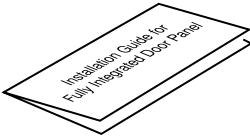
I



Metal Toe Panel (used with F)

## Materials Supplied

(Model Dependent; for fully integrated dishwashers only)



Installation Guide for Fully Integrated Door Panel

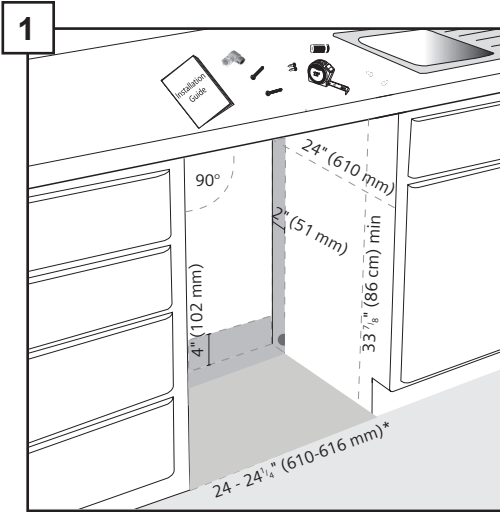


## **IMPORTANT!**

**Before you begin, you must read the safety instructions.**

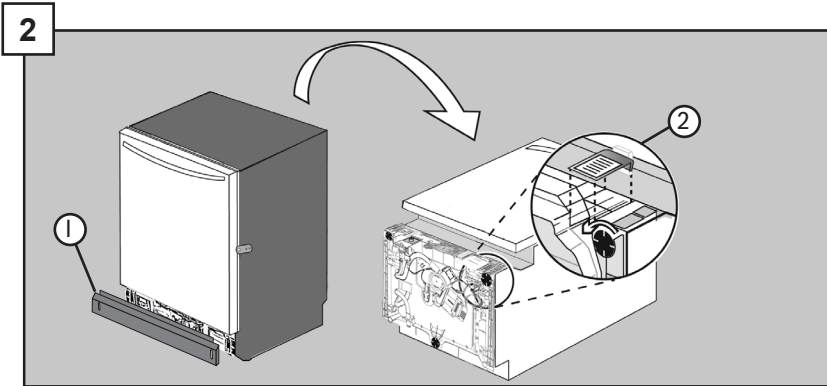
### **PRE-INSTALL CHECKLIST**

- Unpack unit. Retain packing material until successful installation is complete.
- Remove all packing material from inside the dishwasher.
- Inspect parts to ensure you have all the necessary materials.
- Flush household hot water supply for at least two minutes.
- Measure the enclosure area.
- Is the opening at least 34" (863.6 mm) high and 24" (609.6 mm) wide?
- Is the opening near enough to the sink for the water line and drain hoses to access plumbing?
- Will the unit be installed close enough to the sink so that drain hose length does not exceed 92" (2336.8 mm) and so that a portion of the drain hose is raised at least 33" (840 mm) above the floor?
- Do the openings for electric cable, water line, and drain hose routing through cabinet fit within the shaded area in Figure 1?
- Are the openings sanded smooth if wood or covered by a protective gasket if metal?
- Is your water heater set at 120°F (49°C) and does water pressure measure 15-145 psi (1-10 bar)?
- If installing in a corner, will the dishwasher door clear cabinet hardware?
- Determine mounting method based on dishwasher model and countertop type (see Figures 19-22).
- Only use included hardware for install. If replacing dishwasher, dispose of old hose and other equipment properly.



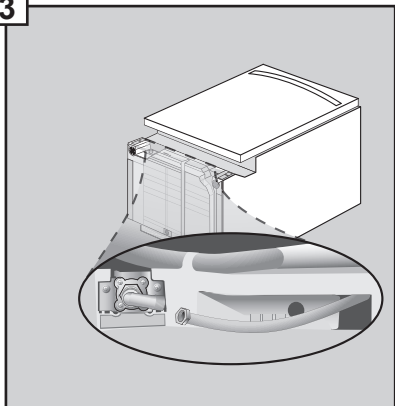
24" (600 mm) with side strips removed.

Minimum hole size for drain hose is 1 1/2" (38.1 mm). Minimum hole size if drain hose and inlet hose are through same hole is 2" (50.8 mm).



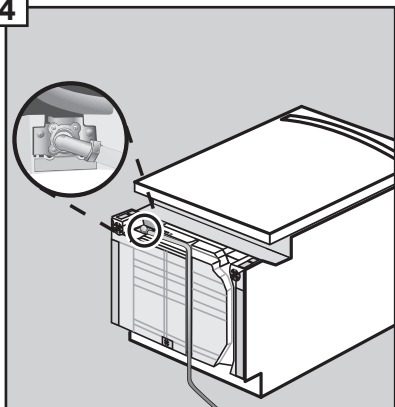
Remove the toe panel (Part 1) from the front of the unit and retain for attachment to the front at a later time. Loosen the leg levelers slightly. Remove junction box cover and retain for later use (2). Discard the small piece of protective styrofoam.

3



Attach 90° elbow joint to dishwasher oriented as shown. Do not over-tighten.

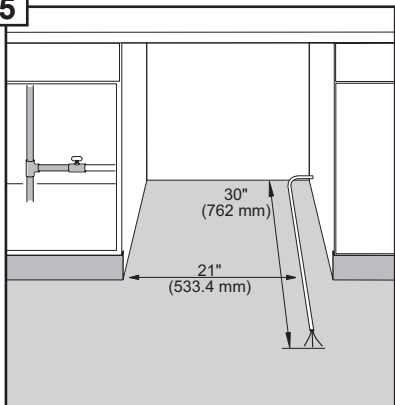
4



Attach hot water line to 90° elbow and route underneath machine toward hot water connection. Ensure the hose does not contact any moving parts beneath the unit.



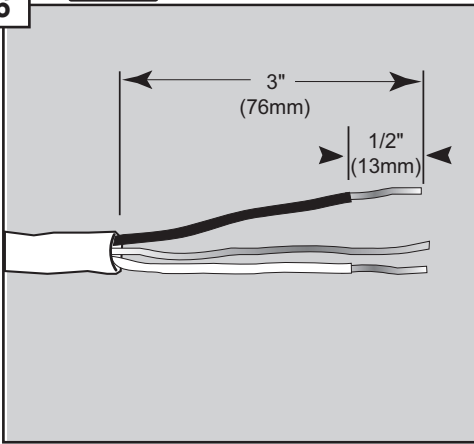
5



Turn power off at fuse box. Extend cable approximately 21" (533.4 mm) from the opening's left side. Extend the cable 30" (762 mm) from the back wall.



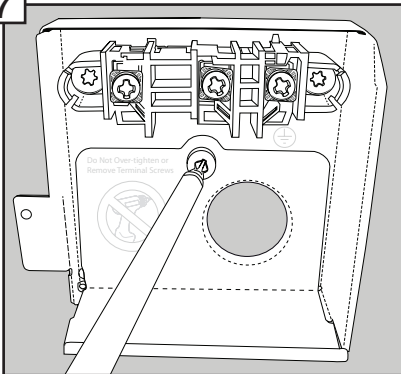
6



Strip outer casing of electrical wire to expose 3" (76.2 mm) of the inner wires. Then strip 1/2" (12.7 mm) casing from each individual wire.\*

\* If the dishwasher will be plugged into an electric receptacle, contact customer service (1-800-735-4328) to order approved power cord accessory kit (SKU # SGZPC001UC).

7

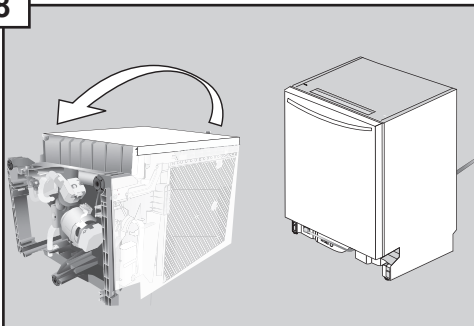


Remove strain relief plate. **Do not discard!** This will be reinstalled later.

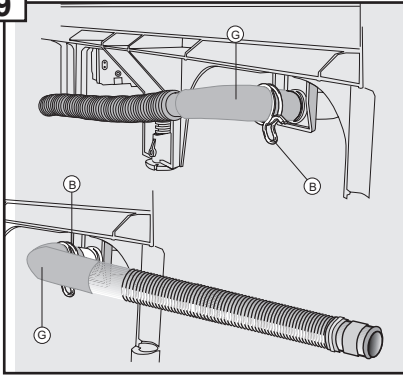
Dishwasher Electrical Rating

Volts	Hertz	Amperes	Watts
120	60	12	1,450 (max)

8

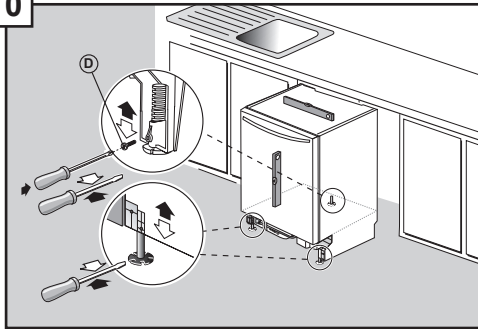


Flip unit back upright, ensuring waterline is not pinched.

**9**

Orient the drain hose toward direction of sink.

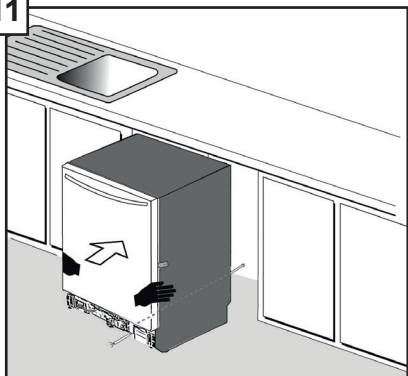
**IMPORTANT:** Route hose toward sink PRIOR TO connection. Do not turn after attachment. Attach drain hose elbow (Part G) to back of unit using pliers to install the spring clamp (Part B).

**10**

Pre-level unit before positioning under counter by turning feet clockwise to raise or counter-clockwise to lower.

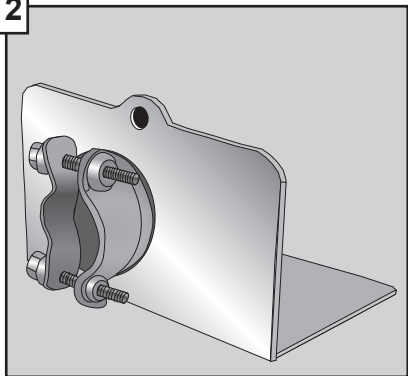
Maximum height the unit can be raised with feet fully extended is 34.5" (876.3 mm). Position unit under counter to verify that it is level. If adjustment is needed, remove unit from under counter and adjust as necessary. Once the unit is at a satisfactory height, insert leg leveler locking screw (Part D) in back foot. Step 18 will complete the leveling process.

11



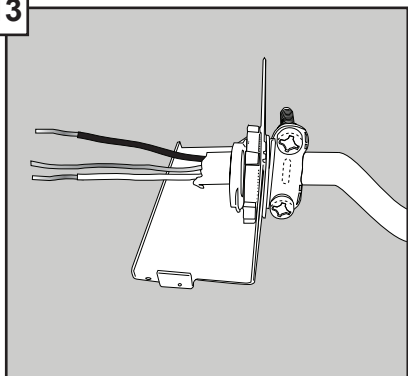
**IMPORTANT:** Do not allow leg levelers to scratch or mark floor. Place hands where pictured to push into place. As you slide the unit in, guide the water line and drain hose toward the sink, and electric line beneath the unit toward the junction box at the front right side. Ensure that the excess drain hose is pushed through to the cabinet housing the sink. Units are typically positioned so that the door is flush with cabinet door and drawer fronts. For optimal noise reduction, ensure side strips are in contact with cabinet.

12



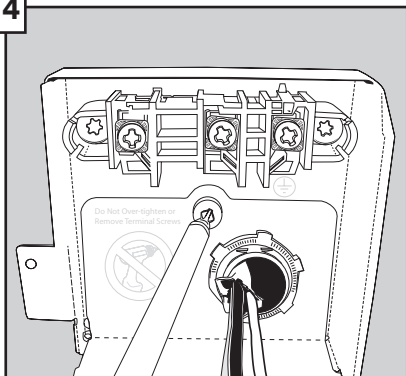
Attach the strain relief (not included) to the strain relief plate. The two screws on the back of the strain relief should be positioned as shown to prevent interferences during assembly. Tighten the strain relief lock nut to prevent the strain relief from turning.

13



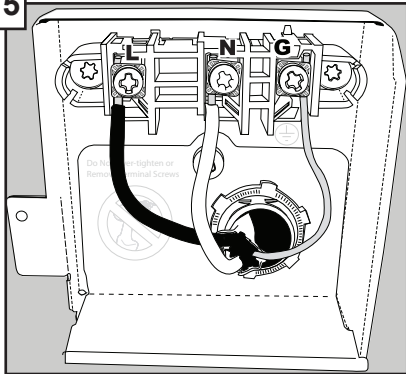
Pass wires through strain relief and plate. Tighten clamp around wires, oriented as shown. Bending the electrical cable as shown will ease installation of the strain relief plate.

14



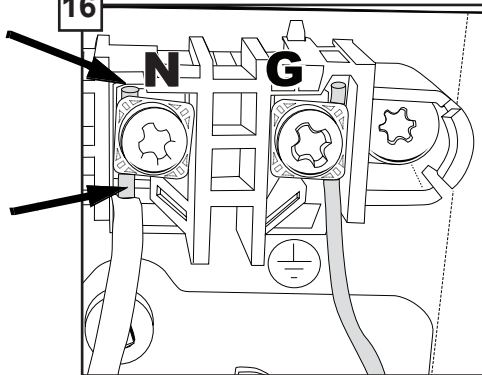
Place the assembled strain relief plate back into the junction box and re-attach the screw. Make sure the tab on the right side of the strain relief plate is outside the junction box as you slide it into place.

15

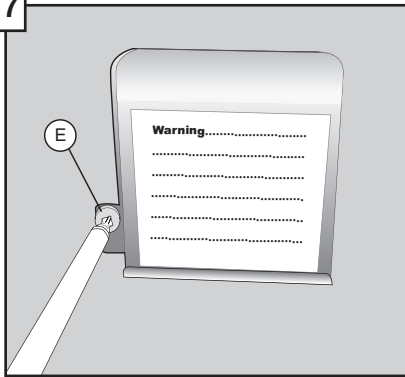


**Note: Do not loosen or remove terminal screws!** Damage may occur. Bend the wires so the exposed leads can reach the appropriate contacts. Insert the black (hot) wire into the left opening on the terminal strip marked “L”, the white (neutral) wire in the middle opening of the terminal strip marked “N”, and the bare copper or green (ground) wire into the right opening of the terminal strip marked “G”.

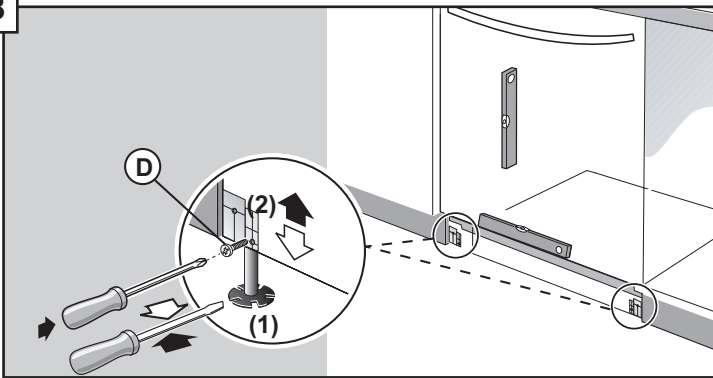
16



Make sure that the exposed (non-insulated) portion of each stripped wire shows above and below the terminal screw. Securely tighten the terminal screws, but do not **over-tighten** or damage may occur. **Hand tighten only. Do not use power tools.**

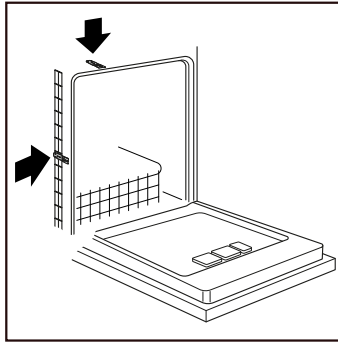
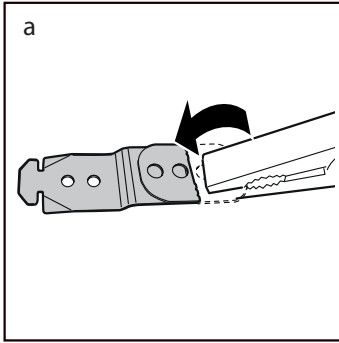
**17**

Replace junction box cover. Make sure the cover is seated behind the front lip of the strain relief plate. Attach the cover with the screw (Part E) from the installation kit.

**18**

Level the dishwasher horizontally by turning feet (1) clockwise to raise or counter-clockwise to lower front of unit. Once level, (2) insert leg leveler locking screws (Part D) and tighten.



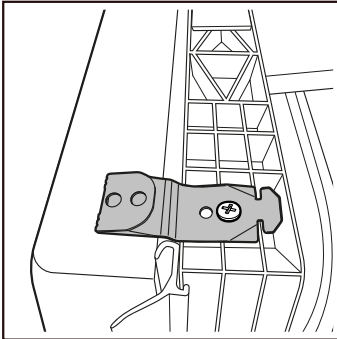
**19**

Grasp mounting bracket (H) with pliers and fold bracket at the perforation over onto itself as shown in 19a.

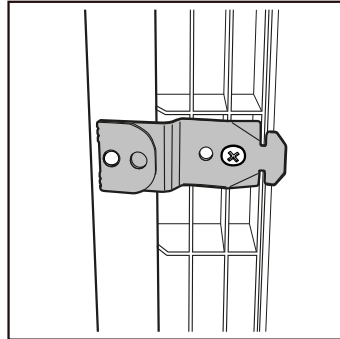
- Mount brackets on the top if your countertop is wood or other material that can easily be drilled into. (see figure 19b)
- Mount brackets on the sides if your countertop is stone or any very hard material that cannot be easily drilled into. (see figure 19b)

**20**

Wood Countertop/  
Top Mount

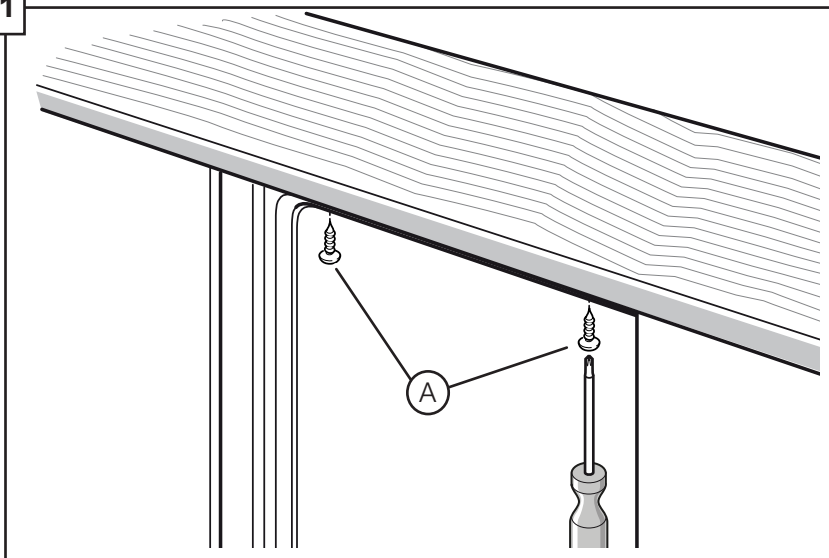


Stone Countertop/  
Side Mount

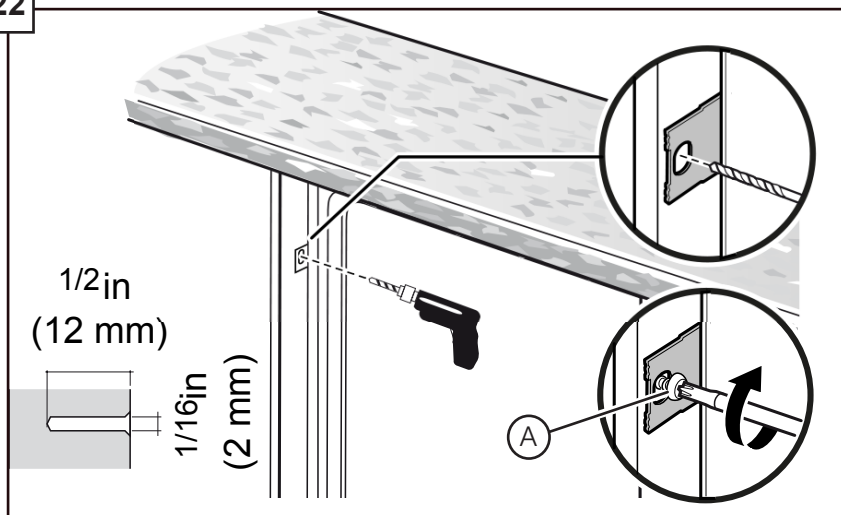


Attach mounting brackets to the frame with included screws (D).

21



22



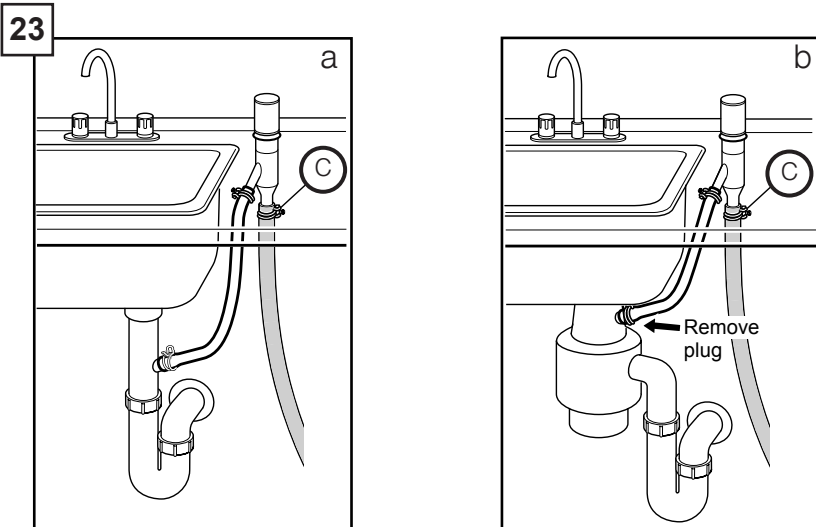
Drive the mounting screws (A) through the holes in the mounting brackets as shown for Top ( figure 21) or Side Mount (figure 22). Remove upper rack before inserting screws on the sides.

## Drain Connection

IMPORTANT NOTES about your drain connection:

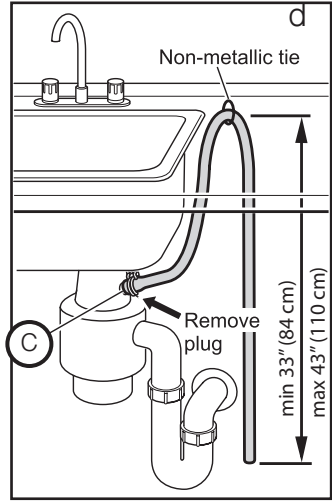
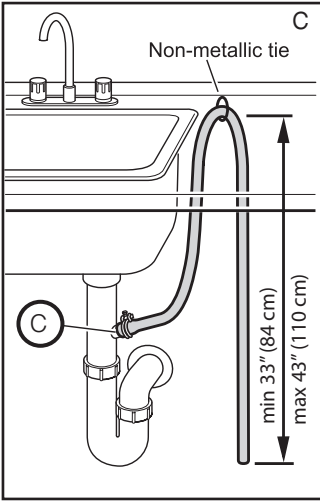
- If local ordinance require an air gap, install it according to the manufacturer's instructions.
- If the dishwasher drain hose is to be connected to a disposer dishwasher drain connection, remove the plug from the disposer's dishwasher drain connection.
- The dishwasher drain hose must have one place along its length that is securely attached 33" (84 cm) above the cabinet floor.
- The drain hose length can be extended if necessary. The maximum length of the drain hose, including the hose leading to the air gap, is 150" (380 cm).

*NOTE: Place hose clamp (C) around end of drain hose BEFORE connecting to the plumbing.*



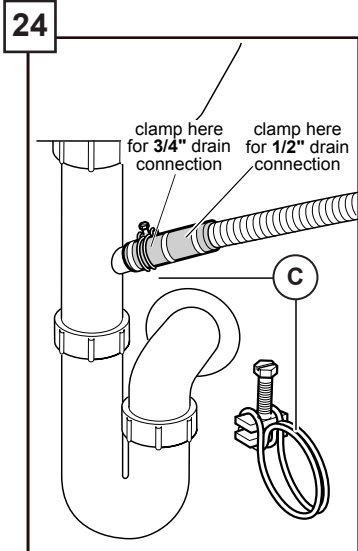
The dishwasher drain hose may be connected to the drain plumbing using an air gap in one of two ways:

- Connect to the under sink dishwasher drain connection (25a).
- Connect to a disposer dishwasher drain connection (25b).



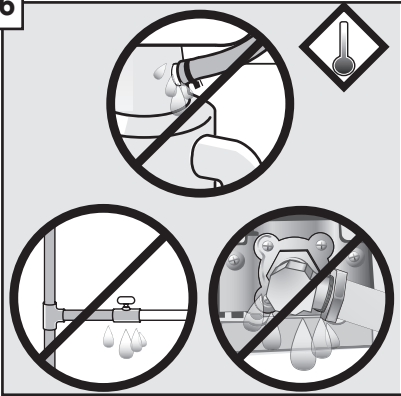
The dishwasher drain hose may be connected to the drain plumbing using a high loop in one of two ways:

- Connect to the under sink dishwasher drain connection (25c).
- Connect to a disposer dishwasher drain connection (25d).



Use the clamp provided (C) to attach the drain hose to the house plumbing as shown.

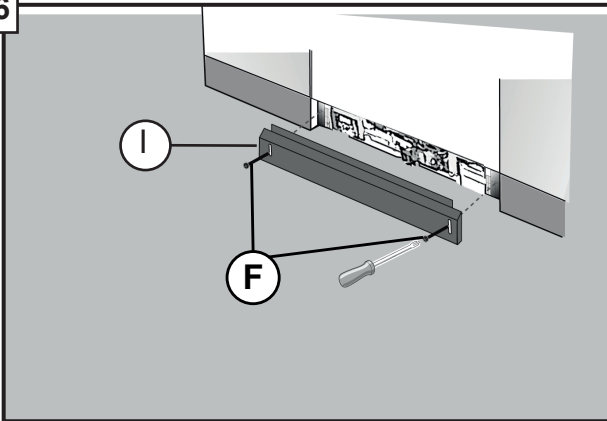
26



Attach water line to incoming hot water shut off valve. Turn on water and check for leaks. Turn power back on at fuse box. Start dishwasher and listen for water and pump for water distribution. Press Cancel/Reset to drain and check for leaks.

**NOTE: If your dishwasher came with a fleece kit, follow the directions supplied in that kit to install the fleece.**

26



Attach the metal toe panel (Part I) with screws (Part F) so it is flush with the floor.

Success! Your installation is now complete.

## Customer Service

Your dishwasher requires no special care other than that described in the Care and Maintenance section of the Use and Care Manual. If you are having a problem with your dishwasher, before calling for service please refer to the Troubleshooting section in the Use and Care Manual. If service is necessary, contact your dealer or installer or an authorized service center.

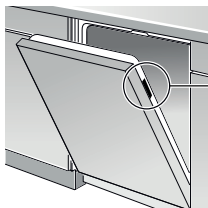
Do not attempt to repair the appliance yourself. Any work performed by unauthorized personnel may void the warranty. If you are having a problem with your dishwasher and are not pleased with the service you have received, please take the following steps (in the order listed below) until the problem is corrected to your satisfaction:




1. Contact your installer or the Authorized Service Contractor in your area.
2. Write us at the address below:  
BSH Home Appliances Corporation  
1901 Main Street  
Irvine, CA 92614
3. Call us at the Customer Service phone number before calling retailer for technical problems :  
1-800-735-4328

Please be sure to include (if you are writing), or have available (if you are calling), the following information:

- Model number (SH \_\_\_\_\_)
- Date Code (FD \_\_\_\_\_)
- Date of original purchase (mm/dd/yyyy)
- Date the problem originated (mm/dd/yyyy)
- Explanation of the problem
- Daytime phone number where you can be reached.

Please make a copy of your invoice and keep it with the manual.  
The customer must show proof of purchase to obtain warranty service.



BOSCH Cust. Service (SERVICE CLIENTÈLE): 1-800-944-2904		 C US LISTED (LISTÉ)	 NSF RESIDENTIAL	 ENERGY VERIFIED BY ENERGETIQUE 1000000000
MODEL NUMBER (NUMERO DE MODELE) SH#####UC/06	~ 120 V 12.0 A 60 Hz 0.2 kW ~ 1.2 kW			
FD910300001	Made in the USA of US and imported parts (Fabriqué aux É.-U. de pièces É.-U. et importées)	Not DISHWASHER (LAVE-VAISSELLES) E103022		
SN6PSB	1010309899100011	Certified residential dishwashers are not intended for commercial food establishments Les lave-vaisselles résidentiels certifiés ne sont pas destinés aux établissements alimentaires agréés.		



## **Consignes de sécurité importantes:**

### **Veillez LIRE et CONSERVER ces informations**

Afin d'éviter toute possibilité de blessures ou de dommages matériels VEUILLEZ OBSERVER TOUS LES AVERTISSEMENTS ET PRÉCAUTIONS.

Ces instructions sont destinées uniquement à l'usage des installateurs qualifiés. L'installation du lave-vaisselle doit être effectuée par un technicien de maintenance ou un installateur qualifié.

- Outre ces instructions, l'installation du lave-linge doit être effectuée conformément à tous les codes et ordonnances nationaux et locaux en matière d'électricité et de plomberie.

**Lire cette notice d'installation entièrement et s'y conformer scrupuleusement.** Cette notice vous permettra d'économiser du temps et des efforts et vous aidera à assurer la sécurité et l'efficacité optimale de votre lave-vaisselle.

### **IMPORTANT**

- Le tuyau de vidange du lave-vaisselle doit être installé de façon à ce qu'une partie du tuyau soit à 33 pouces (84 cm) minimum au-dessus du plancher de l'armoire ; autrement, le lave-vaisselle risque de ne pas se vidanger correctement.
- Ce lave-vaisselle est destiné à un usage domestique uniquement et ne doit pas être utilisé par des établissements de service alimentaire commerciaux.
- Ce lave-vaisselle est conçu pour être fermé sur le dessus et les deux côtés par des armoires.
- NOUVELLE INSTALLATION - Si le lave-vaisselle est installé pour la première fois, la plupart des travaux d'installation doivent être réalisés avant que l'appareil ne soit mis en place.
- REMPLACEMENT - Si le lave-vaisselle est installé en remplacement d'un autre, vérifier les raccordements du lave-vaisselle existant pour vous assurer qu'ils sont compatibles à ceux du nouveau lave-vaisselle, et remplacer les pièces qui doivent l'être.
- Cet appareil a été trouvé conforme à la norme CAN/CSA-C22.2 n° 167/UL 749. Le propriétaire et l'installateur ont la responsabilité de déterminer si des exigences et normes supplémentaires s'appliquent à des installations spécifiques.
- Non pour l'usage en extérieur.



## AVERTISSEMENT

### Prévention des dangers d'ordre général



Ne pas utiliser le lave-vaisselle tant que l'installation n'est pas complètement terminée. Pour ouvrir la porte d'un lave-vaisselle dont l'installation n'est pas terminée, agir avec prudence et en soutenant la partie arrière de l'appareil. Le non respect de cet avertissement peut entraîner le basculement du lave-vaisselle et provoquer de graves blessures.

Avant d'installer les pattes de fixation pour comptoir en « L » (certains modèles) fournies, déterminer la méthode à utiliser pour fixer solidement le lave-vaisselle dans l'ouverture. Une fois les pattes de fixation installées sur le lave-vaisselle, il sera difficile de les retirer sans les abîmer ainsi que le lave-vaisselle.

Sous certaines conditions, un chauffe-eau peut produire de l'hydrogène s'il n'a pas été utilisé pendant plusieurs semaines. L'hydrogène est un gaz explosif. Avant de remplir un lave-vaisselle en utilisant de l'eau fournie par un chauffe-eau qui n'a pas fonctionné pendant plusieurs semaines, faites couler l'eau d'un robinet situé à proximité, dans un endroit bien aéré, jusqu'à ce qu'il n'y ait plus de bruit et qu'aucun dégagement de gaz ne se manifeste de façon visible.

Le retrait d'une paroi ou le fait de tirer le lave-vaisselle hors de son encastrement peut exposer les conduites d'eau chaude, l'alimentation électrique et certains rebords et angles tranchants. Effectuer ces manœuvres avec prudence.



### Éviter les chocs électriques / Feu Dangers

Ne pas tenter d'intervenir sur un circuit sous tension. Vous risquez autrement des blessures graves, voire la mort. Seuls les électriciens qualifiés doivent effectuer des travaux sur l'installation électrique. Ne pas tenter d'intervenir sur le circuit électrique du lave-vaisselle à moins d'être certain que celui-ci est hors tension.

Vérifier que l'installation électrique est correctement réalisée. Il ne doit y avoir aucun raccordement électrique lâche. Vérifier que tous les branchements électriques sont correctement effectués.

Le client a la responsabilité de vérifier que l'installation électrique du lave-vaisselle est conforme à tous les codes et ordonnances électriques nationaux et locaux. Le lave-vaisselle a été conçu pour fonctionner avec une alimentation électrique en courant alternatif de 120 volts, 60 Hz, connectée à un circuit électrique correctement mis à la terre, adapté au lave-vaisselle, avec protection par fusible ou disjoncteur d'une puissance



de 15 ampères. Les conducteurs d'alimentation électrique doivent être uniquement en fil de cuivre de calibre 14 AWG minimum pour une température nominale de 75°C (167°F) ou plus.

Cet appareil doit être raccordé à un système de câblage en métal permanent mis à la terre ou un conducteur de terre de l'appareil doit être utilisé avec les conducteurs de circuit et raccordé à la borne ou au fil de terre du lave-vaisselle. Ne pas utiliser de rallonge.

## **Prévention des dangers d'ébouillantage et liés aux travaux de plomberie**

Ne pas tenter de travailler sur une conduite d'eau chaude chargée. De graves blessures pourraient survenir. Seuls les plombiers qualifiés doivent effectuer des travaux sur la tuyauterie. Ne pas tenter d'intervenir sur la tuyauterie d'alimentation d'eau chaude du lave-vaisselle tant que vous n'êtes pas certain que l'alimentation d'eau chaude est coupée.



Les températures nécessaires pour souder et exsuder risquent d'endommager la base et le robinet d'arrivée d'eau du lave-vaisselle. Si certains tuyaux doivent être soudés ou exsudés, maintenir la source de chaleur au à 6 pouces (152,4 mm) minimum de distance de la base et du robinet d'arrivée d'eau du lave-vaisselle.

Consulter les codes de plomberie locaux pour connaître les procédures et accessoires de plomberie approuvés. Tous les travaux de plomberie doivent être réalisés conformément aux codes nationaux et locaux.

Ces instructions décrivent la méthode d'installation des flexibles tressés en acier inoxydable ou des conduites d'eau chaude en polyéthylène réticulé. Si vous utilisez des tubes en cuivre ou d'un matériau différent pour l'alimentation en eau, faire appel à un plombier autorisé afin d'assurer une installation adéquate.

## **Inspection du lave-vaisselle**

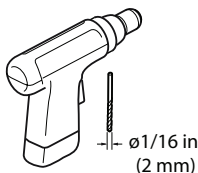
Après avoir déballé le lave-vaisselle et avant son installation, examinez-le attentivement pour déceler d'éventuels dégâts esthétiques ou liés au transport. Signaler immédiatement tout dégât. Les défauts esthétiques doivent être signalés dans un délai de 30 jours à compter de l'installation.

**REMARQUE :** *ne pas jeter les sacs ou les éléments contenus dans l'emballage d'origine avant d'avoir complètement terminé l'installation du lave-vaisselle.*

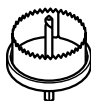
## Outils et pièces nécessaires



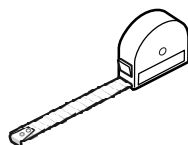
Clé ajustable



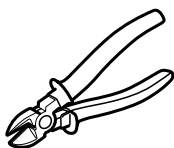
Perceuse



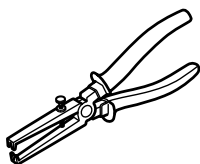
Scie cylindrique



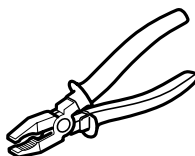
Ruban à mesurer



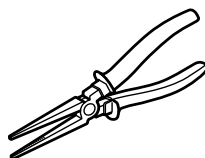
Pince coupante



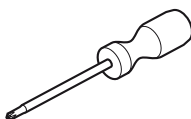
Pince à dénuder



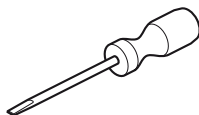
Pince



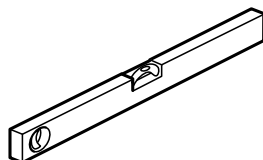
Pince à bec aiguille



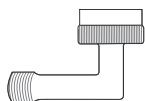
Phillips Tournevis



Tournevis



Niveau à bulle



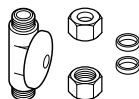
Coudé avec filets femelle 3/4 po sur une extrémité, dont la dimension s'a juste a la canalisation en eau (tuyau encuivre/raccord à compression ou tuyau bridé) sur l'autre extrémité.



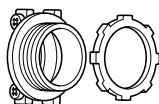
Câble d'alimentation électrique - calibre de 14 AWG minimum, deux conducteurs, 1 mise à la terre, conducteurs en cuivre isolé à une température nominale de 75 °C ou plus. Nécessaire seulement si la ligne électrique de la maison est inadéquate.



Conduite d'alimentation en eau chaude - tube de cuivre au minimum de 95 mm (3/8 po) de diamètre extérieur en polyéthylène réticulé ou conduite d'alimentation pour lave-vaisselle en métal tressé. Nécessaire seulement si la canalisation d'alimentation en eau de la maison est insuffisante.


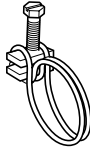



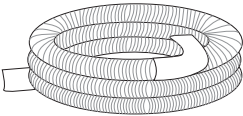
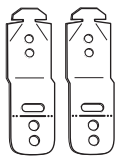
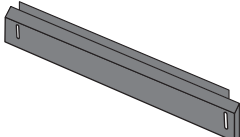


Soupape d'arrêt et raccords appropriés pour conduites d'eau chaude (tube de cuivre/raccord de compression, ou tuyau tressé).

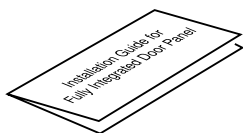


Un raccord de conduit ou raccord de retenue homologué UL est requis si le câblage sur site est directement relié au bornier.

## Matériel fourni

- (A)  Vis des pattes de fixation Ø 4x13mm
- (B)  pince pour tuyau de vidange
- (C)  Collier à vis (pour flexible)
- (D)  Des vis  
X 5
- (E)  La vis de le couvercle de la boîte de jonction
- (F)  Vis pour le panneau de plinthe  
X 2
- (G)  Tuyau de drainage
- (H)  Pattes de fixation
- (I)  Panneau de plinthe

## Matériel fourni (selon le modèle)



Guide d'installation pour un panneau de porte  
pleinement intégré

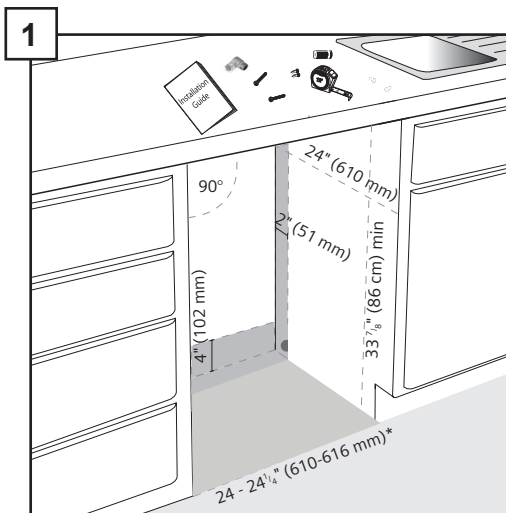
---

## **IMPORTANT !**

**Avant de commencer l'installation, vous devez lire les règles de sécurité figurant au dos de cette page.**

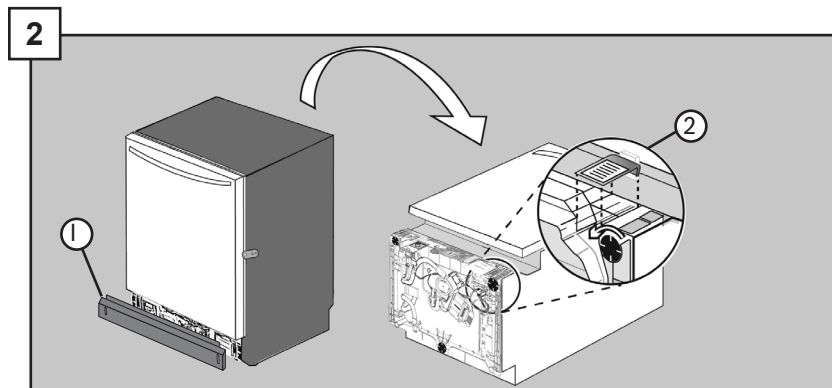
### **VÉRIFICATIONS AVANT L'INSTALLATION**

- Déballer le lave-vaisselle. Conserver le matériel d'emballage jusqu'à ce que l'installation soit parfaitement terminée.
- Retirer tout le matériel d'emballage qui se trouve à l'intérieur du lave-vaisselle.
- Vérifier chaque pièce pour être sûr de bien avoir tout le matériel nécessaire.
- Faire couler le robinet d'eau chaude pendant au moins deux minutes.
- Mesurer les dimensions de l'emplacement dans lequel sera placé le lave-vaisselle.
- Cet emplacement a-t-il une hauteur minimum de 34 po (863.6 mm) et une largeur minimum de 24 po (609.6 mm) ?
- Cet emplacement est-il assez près de l'évier afin de faciliter l'accès au tuyau d'alimentation en eau et au tuyau de vidange ?
- Le lave-vaisselle sera-t-il placé assez près de l'évier afin que le tuyau de vidange n'excède pas une longueur de 92 po (2336.8 mm) et qu'une partie de ce tuyau soit surélevée d'au moins 33 po (840 mm) par rapport au niveau du sol ?
- Est-ce que l'espace à travers lequel vont passer le câble électrique, le tuyau d'alimentation en eau et le tuyau de vidange est assez grand ? Il doit correspondre à la zone grisée du schéma 1.
- Si le placard est en bois, cet espace est-il correctement poncé ou, si le placard est en métal est-il recouvert d'un joint protecteur ?
- Est-ce que votre chauffe-eau est réglé sur 120°F (49°C) et la pression de l'eau est-elle comprise entre 15 et 145 livres/ po<sup>2</sup> (1-10 bars) ?
- Si votre lave-vaisselle doit être installé dans un angle de la cuisine, y a-t-il suffisamment d'espace pour que la porte du lave-vaisselle puisse s'ouvrir complètement ?
- Déterminer la méthode de montage en fonction du modèle de lave-vaisselle et du matériau du plan de travail (voir les schémas 19-22).
- Utilisez seulement le matériel inclus pour installer. Si remplaçant le lave-vaisselle, débarrassez-vous du vieux tuyau et de tout autre équipement correctement.



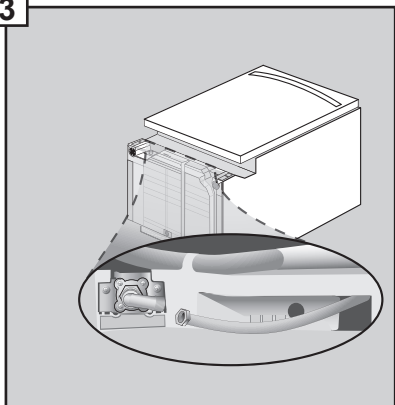
24" (610 mm) avec les bandes latérales enlevées.

El tamaño mínimo del agujero para la manga de desagüe es 1 1/2". El tamaño mínimo del agujero si la manga de desagüe y la manguera de la entrada están a través del mismo agujero es 2".



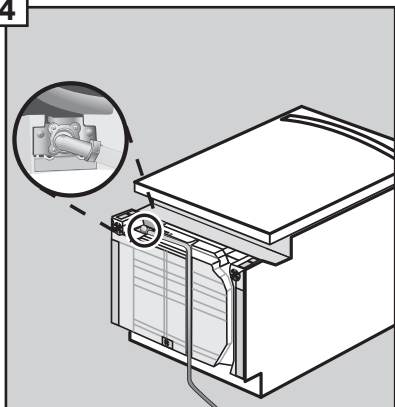
Coucher le lave-vaisselle sur sa partie arrière. Retirer le panneau inférieur (1). Desserrer les niveleurs des pieds (2). Enlever le couvercle de la boîte de jonction et le mettre de côté pour pouvoir le replacer plus tard.

3



Fixer le raccord coude 90° au lave-vaisselle en l'orientant comme indiqué sur le schéma. Ne pas trop serrer.

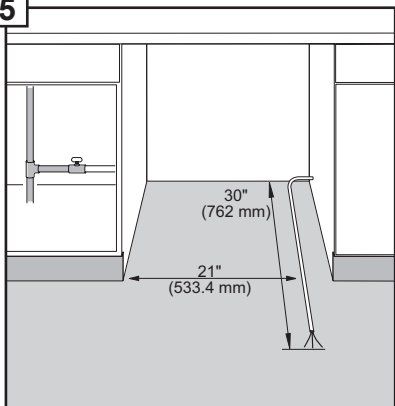
4



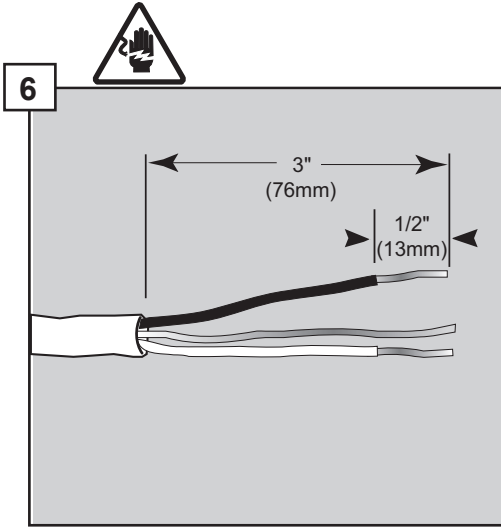
Raccorder le tuyau d'eau chaude au coude 90° et dirigez au-dessous de la machine vers la connexion chaude d'eau. S'assurer que le tuyau n'entre pas en contact avec les pièces mobiles de l'appareil.



5

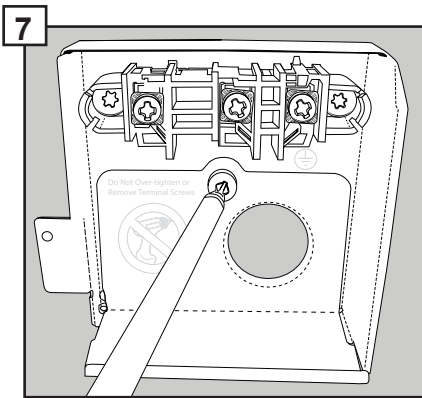


Couper le courant électrique qui doit alimenter le lave-vaisselle. Indépendamment d'où vient le câble électrique, il faut le placer à 21 po (533.4 mm) de distance du côté gauche de l'emplacement réserver au lave-vaisselle et le faire courir sur 30 po (762 mm) depuis le mur du fond.



Dénuder le câble électrique de 3 po (76 mm) afin de faire apparaître les fils électriques intérieurs. Dénuder ensuite chacun de ces fils de 1/2 po (13 mm).\*

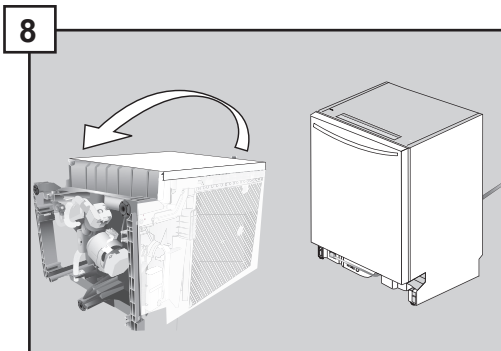
\* Si le lave-vaisselle doit être connecté à un réceptacle électrique, contacter le service clientèle pour commander un autre kit d'installation qui sera adapté (SKU # SGZPC001UC).



Retirer la plaque du réducteur de tension. Ne pas jeter! Elle devra être replacé plus tard.

**Cote électrique du lave-vaisselle**

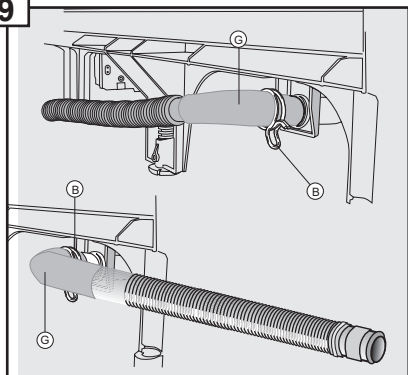
Volts	Hertz	Amperes	Watts
120	60	12	1,450 (max)



Faire basculer le lave-vaisselle vers l'avant pour qu'il soit à nouveau debout en s'assurant, d'une part, que le tuyau d'alimentation d'eau ne soit pas écrasé et, d'autre part.



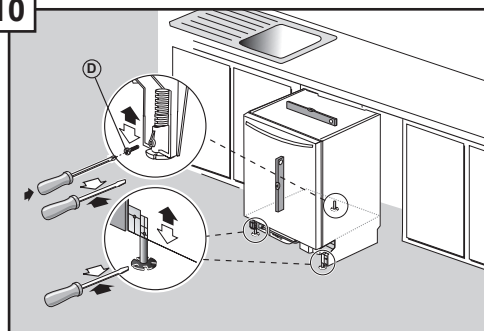
9



Orienter le tuyau de vidange vers la direction d'évier.

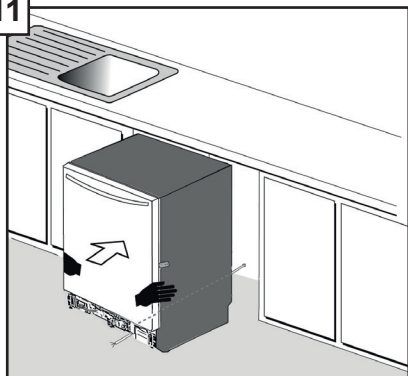
**IMPORTANT** : Le tuyau de route vers l'évier AVANT la connexion. Ne pas tourner après attachement. Connectez le tuyau de vidange (G) au dos de lave-vaisselle en utilisant des pinces pour serrer la pince (B).

10



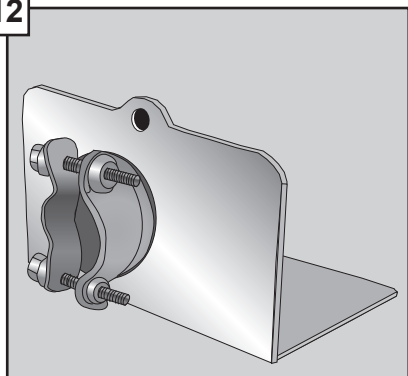
L'unité pré-égale avant de disposer sous le compteur en tournant des pieds dans le sens des aiguilles d'une montre s'élever ou contrarier-dans le sens des aiguilles d'une montre abaisser. La hauteur maximale de l'appareil peut être élevée, avec les pieds complètement sortis, à 34,5 (876.3 mm) po. Position dans l'unité de compteur pour vérifier qu'il est de niveau. Si un réglage est nécessaire, retirez sous unité de comptoir et ajuster si nécessaire. Une fois l'appareil à une hauteur satisfaisante, insérer la vis de verrouillage du pied niveleur (D) sur le pied arrière. L'étape 18 compléteront le procédé nivelant.

11



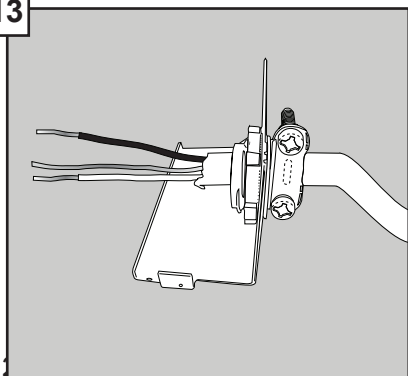
**IMPORTANT** : Ne pas permettre levelers à la jambe pour gratter ou marquer le plancher. L'endroit transmet où a imaginé pour pousser à sa place. Positionner les mains comme illustré pour pousser l'appareil dans l'ouverture. Acheminer la canalisation d'eau et le tuyau de drainage vers l'évier et l'alimentation électrique sous l'appareil vers le boîte de jonction du côté avant droit. S'assurer que l'excès de tuyau de drainage est poussé par l'armoire abritant l'évier. L'appareil est généralement positionné de façon à ce que la porte soit à égalité avec la porte de l'armoire et les tiroirs avant. Pour une réduction optimale du bruit, s'assurer que les bandes sont en contact avec l'armoire.

12



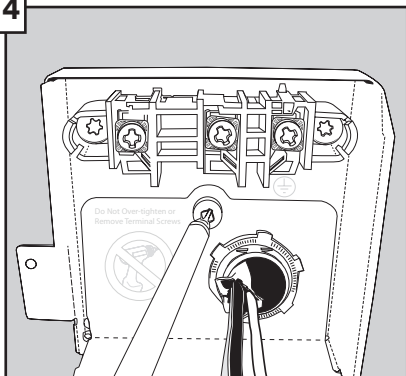
Disposer le réducteur de tension (non inclus) dans la plaque du réducteur de tension. Fixer le réducteur de tension à sa plaque. Les deux vis à l'arrière du réducteur de tension doivent être positionnées comme indiqué sur le schéma afin de prévenir toute interférence pendant l'assemblage. Serrer l'écrou du réducteur de tension afin d'éviter que celui-ci ne bouge.

13



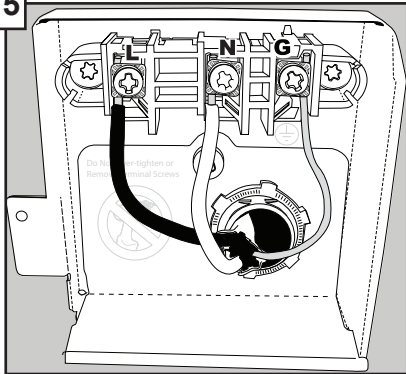
Faire passer le câble électrique à travers le réducteur de tension et la plaque. Serrer le serre-joint comme indiqué sur le schéma. À l'aide d'une pince, plier l'extrémité du câble électrique comme indiqué sur le schéma. Ceci facilitera l'installation de la plaque du réducteur de tension.

14



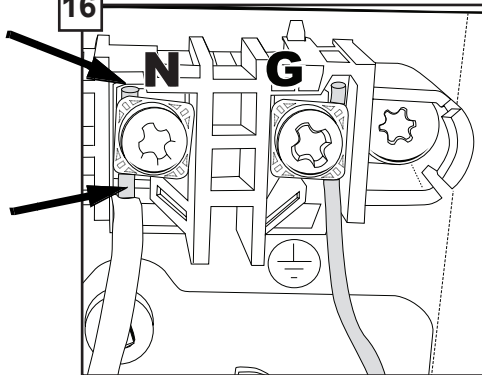
Replacer alors la plaque du réducteur de tension dans la boîte de jonction et replacer la vis. S'assurer que l'étiquette située en bas de la plaque se trouve à l'extérieur de la boîte de jonction au moment de l'assemblage.

15



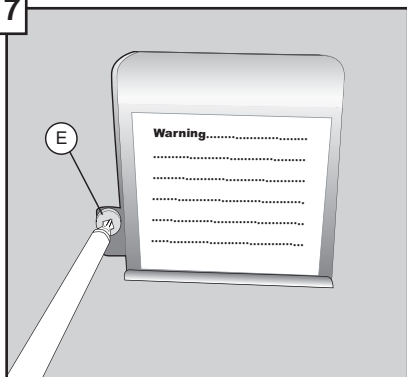
**Important** : Ne pas desserrer ou retirer les vis principales! Cela risque d'engendrer des dégâts matériels. À l'aide d'une pince, tordre les fils électriques afin qu'ils soient bien positionnés. Introduire le fil noir (chaud) dans le trou de gauche indiqué par la lettre « L »; le fil blanc (neutre) dans le trou du milieu indiqué par la lettre « N » et le fil en cuivre ou du couleur verte (terre) dans le trou de droite indiqué par la lettre « G ».

16



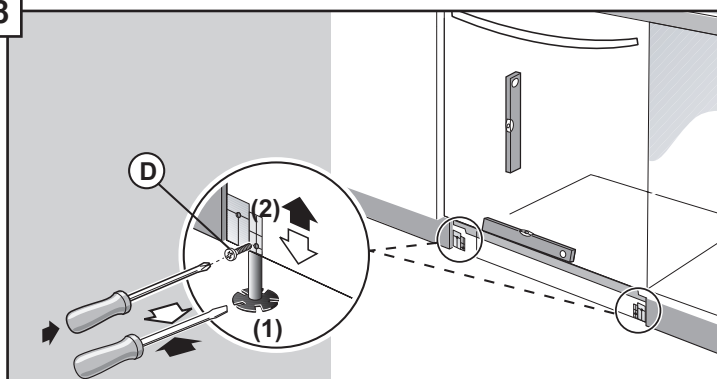
S'assurer que la partie dénudée (non isolée) de chaque fil soit bien visible au-dessous et au-dessus de chaque vis principale. Visser avec soin ces dernières **sans serrer trop fort** car cela pourrait entraîner des dégâts matériels. La main serrent seulement. **N'utilisez pas les machines-outils.**

17



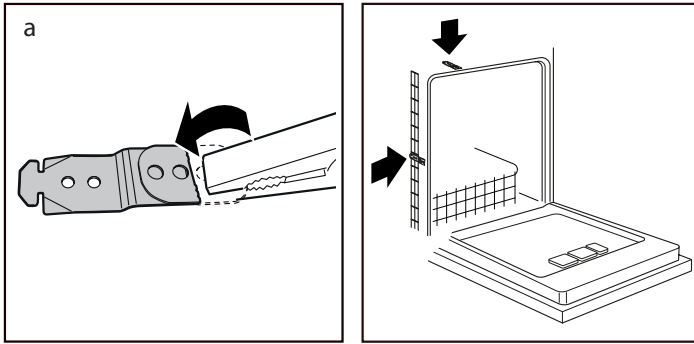
Replacer le couvercle de la boîte de jonction. S'assurer qu'il soit bien placé derrière la face avant de la plaque du réducteur de tension. Fixer la plaque grâce à la vis (pièce E du kit d'installation).

18



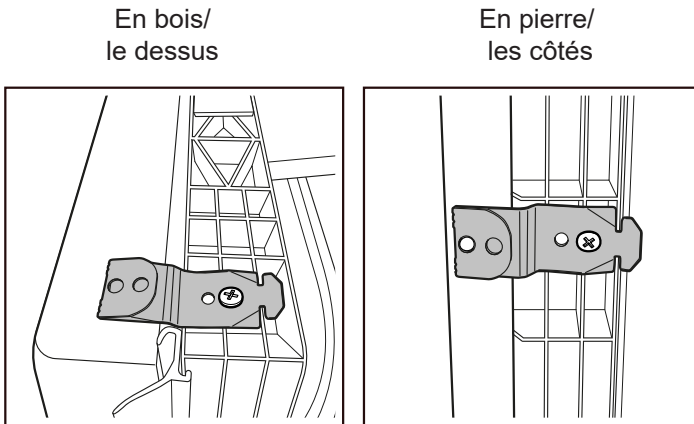
Mettre le lave-vaisselle horizontalement à niveau le lave-vaisselle en tournant les niveleurs des pieds avant (1) dans le sens des aiguilles d'une montre pour soulever la partie avant du lave-vaisselle ou dans le sens inverse des aiguilles d'une montre pour l'abaisser. Une fois que le lave-vaisselle est bien stable, (2) placer et visser la vis (D) qui permettra de bloquer définitivement le niveau choisi.

**Remarque : Si votre comptoir est en bois, passez à l'étape 20.**

**19**

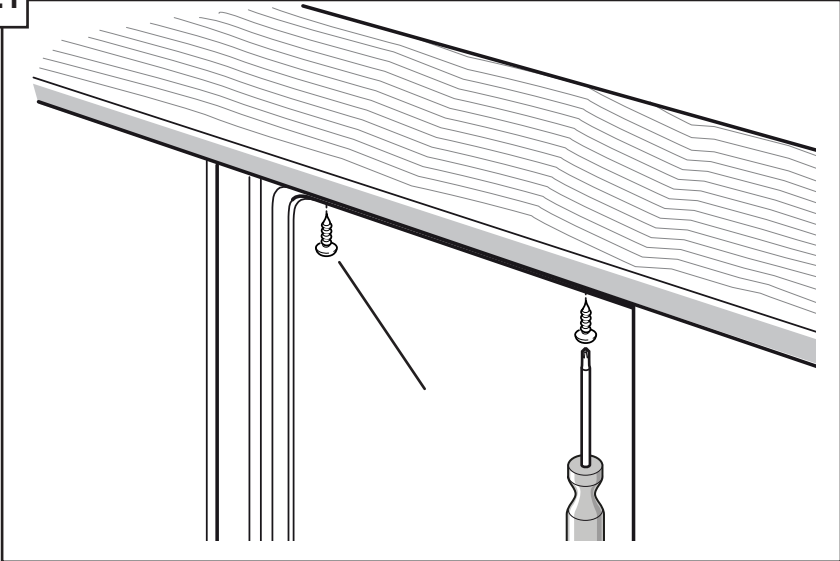
Fixez le support de montage (H) avec des pinces à la perforation et pliez-le sur lui-même comme le montre la figure 19a.

- Montez les supports sur le dessus si votre comptoir est en bois ou autre matériel qui peut facilement être percé dans. (voir la figure 19b)
- Montez les supports sur les côtés si votre comptoir est en pierre ou tout autre matériau très dur qui ne peut pas être percé facilement. (voir la figure 19b)

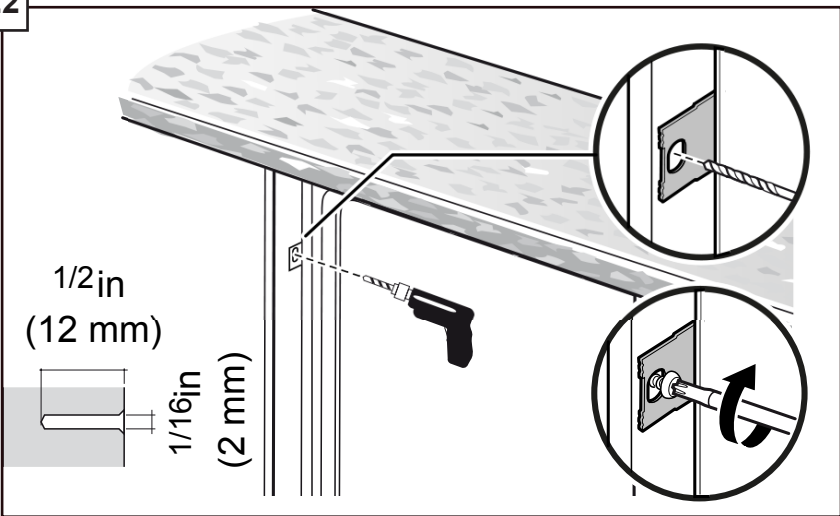
**20**

Fixez les supports de montage au cadre avec les vis fournies (D).

21



22



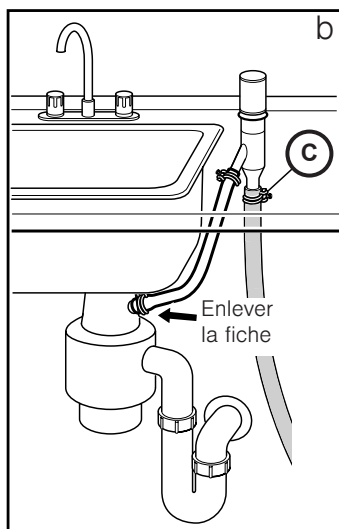
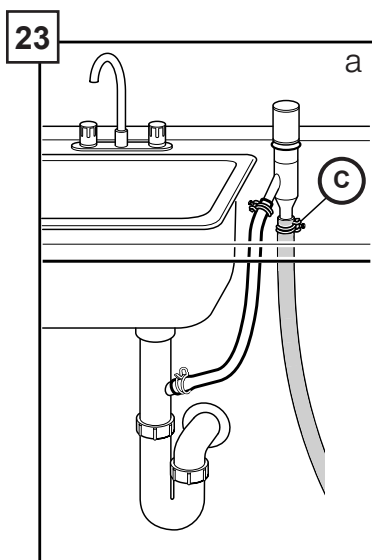
- Insérer les vis de fixation (A) dans les trous des pattes de fixation tel qu'illustré pour l'installation avec fixation supérieure (21) ou latérale (22).

## Raccordements d'évacuation

### REMARQUE:

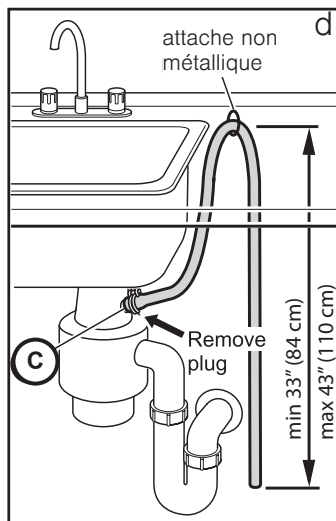
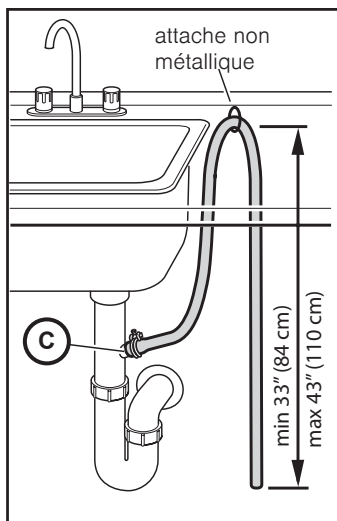
- Si la réglementation locale exige un dispositif de coupure anti-retour, en installer un conformément aux instructions du fabricant.
- Si le tuyau de vidange du lave-vaisselle doit être branché sur le raccordement de vidange de lave-vaisselle d'un broyeur à déchets, retirer le bouchon du raccordement de vidange de lave-vaisselle du broyeur.
- Le tuyau de vidange du lave-vaisselle doit être solidement fixé en un point sur sa longueur à 33 pouces (84 cm) au-dessus du plancher de l'armoire.
- La longueur du tuyau de vidange peut être augmentée si nécessaire. La longueur maximale du tuyau de vidange, y compris le flexible relié au dispositif de coupure anti-retour, est de 150 pouces (380 cm).

**REMARQUE :** Placer la bride du tuyau autour de l'extrémité du tuyau d'évacuation AVANT de le brancher à la tuyauterie.



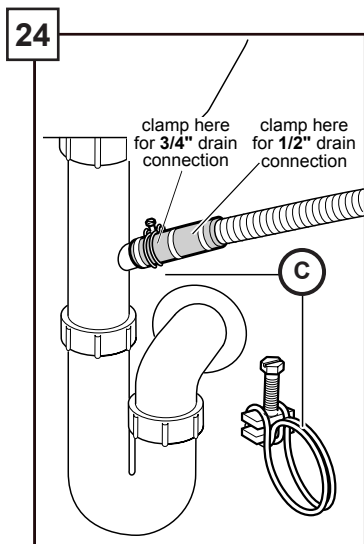
Le tuyau d'évacuation du lave-vaisselle peut être branché sur la tuyauterie d'évacuation à l'aide d'un entrefer de l'une des deux manières suivantes :

- - En le branchant au raccord d'évacuation de lave-vaisselle sous l'évier (25a).
- - En le branchant au raccord d'évacuation de lave-vaisselle d'un broyeur (25b).



Le tuyau d'évacuation du lave-vaisselle peut être branché sur la tuyauterie d'évacuation à l'aide d'une boucle surélevée de l'une des deux manières suivantes:

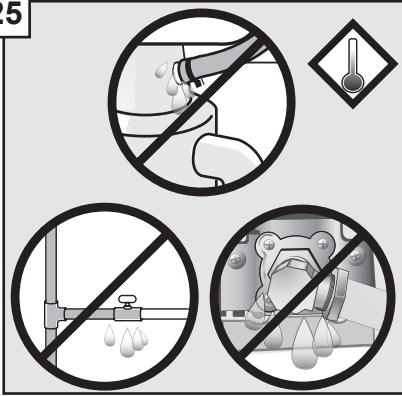
- - En le branchant au raccord d'évacuation de lave-vaisselle sous l'évier (25c).
- - En le branchant au raccord d'évacuation de lave-vaisselle d'un broyeur (25d).



Utiliser la bride fournie (C) pour fixer l'adaptateur de tuyau d'évacuation à la tuyauterie résidentielle tel qu'illustré.



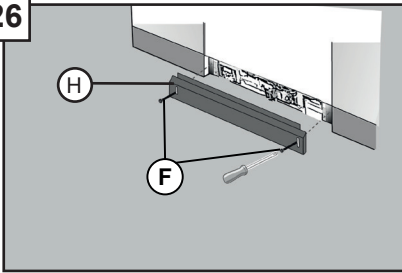
25



Relier le tuyau d'alimentation en eau à la valve d'arrivée d'eau chaude. Faire couler l'eau et vérifier qu'il n'y ait pas de fuite. Rétablir le courant électrique. Démarrer le lavage, écouter l'eau affluée et la pompe de distribution de l'eau. Presser arrêter la vidange/ Reponga et vérifier qu'il n'y ait pas de fuite.

**REMARQUE :** Si votre lave-vaisselle est livré avec un kit d'isolant, suivez les instructions fournies avec le kit pour installer l'isolant.

26



Recouvrir le tout avec le panneau inférieur en métal (pièce I) en utilisant les vis (pièce F) pour qu'il soit bien aligner avec le sol. Félicitations! L'installation est maintenant terminée.

## Service à la Clientèle

Ce lave-vaisselle ne requiert aucun entretien spécial autre que ce qui est décrit dans la section Entretien de le guide d'utilisation et d'entretien. En cas de problème avec le lave-vaisselle, avant d'effectuer un appel de service, voir la section Aide. Si un service est nécessaire, communiquer avec le marchand ou l'installateur ou un centre de service autorisé. Ne pas tenter d'effectuer soi-même la réparation. Toute réparation effectuée par un personnel non autorisé peut annuler la garantie.

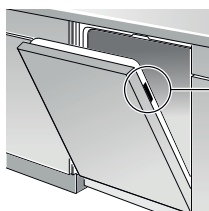
Si l'on a un problème avec le lave-vaisselle et que l'on n'est pas satisfait du service reçu, prendre les mesures suivantes (dans l'ordre indiqué ci-dessous) jusqu'à ce que le problème soit corrigé :




1. Communiquer avec l'installateur ou le centre de service dans la région.
2. Nous contacter par notre site web. Voir le guide d'utilisation et d'entretien pour les instructions.
3. Écrire à :  
BSH Home Appliances Corporation  
1901 Main Street  
Irvine, CA 92614
4. Téléphoner au service à la clientèle au numéro indiqué sur l'étiquette placée sur le bord droit de la porte du lave-vaisselle.  
1-800-735-4328

S'assurer d'inclure (par écrit) ou avoir sous la main (par téléphone) l'information suivante :

- Numéro de modèle (SH \_\_\_\_\_)
- Code de date (FD \_\_\_\_\_)
- Date d'achat d'origine (mm/dd/yyyy)
- Date du début du problème (mm/dd/yyyy)
- Explication du problème

Se il vous plaît faire une copie de votre facture et la conserver dans ce manuel. Le client doit présenter une preuve d'achat pour obtenir un service de garantie.



BOSCH Cust. Service (SERVICE CLIENTÈLE): 1-800-944-2904						ENERGY VERIFIED BY AMERICAN ENERGY VERIFIED BY EPA	
MODEL NUMBER (NUMERO DE MODELE) <b>SH#####UC/06</b>		~ 120 V 12.0 A 60 Hz		C US			
FD910300001		0.2 kW ~1~ 1.2 kW		LISTED (LISTE)		E103002	
SN6PSB 1010309899100011		Made in the USA of US and imported parts (Fabrique aux E.-U. de pièces E.-U. et importées)		766 DIGIMAN-SMEX (LAVE-VAISSELLE)		Certified essential dishwashers are not intended for licensed food establishments. Les lave-vaisselle certifiés essentiels ne sont pas destinés aux établissements alimentaires agréés.	



## **Instrucciones de seguridad importantes: Por favor lea y guarde esta información**

Para evitar posibles lesiones o daños materiales, RESPETE TODAS LAS ADVERTENCIAS Y PRECAUCIONES. Estas instrucciones están diseñadas para ser usadas únicamente por instaladores calificados. La lavadora de platos debe ser instalada por un técnico de servicio técnico o instalador calificado.

- Además de estas instrucciones, la lavadora de platos debe instalarse de conformidad con todos los códigos y las ordenanzas de electricidad y de plomería (nacionales y locales).

**Lea estas instrucciones de instalación completamente y sígalas con cuidado.** Le ahorrarán tiempo y esfuerzo, y le ayudarán a asegurarse de que el rendimiento de la lavadora de platos sea óptimo y seguro.

### **IMPORTANTE**

- La manguera de drenaje de la lavadora de platos debe instalarse manteniendo una parte de esta, al menos, a una distancia de 33 " (84 cm) del piso del gabinete; de lo contrario, es posible que la lavadora de platos no drene correctamente.
- Esta lavadora de platos ha sido diseñada para uso residencial en interiores únicamente y no debe usarse en establecimientos comerciales de servicios de comidas.
- Este lavavajillas está diseñado para ser cerrado en la parte superior y ambos lados por los gabinetes.
- **NUEVA INSTALACIÓN:** si la lavadora de platos es una instalación nueva, la mayoría del trabajo debe realizarse antes de que la lavadora de platos sea colocada en su lugar.
- **REEMPLAZO:** si la lavadora de platos reemplaza a otra lavadora de platos, verifique las conexiones de la lavadora de platos existente para ver la compatibilidad con la nueva lavadora de platos y reemplace las piezas según sea necesario.
- Este electrodoméstico cumple con la norma CAN/CSA-C22.2 n.º 167/UL 749. Es responsabilidad del propietario y del instalador determinar si se aplican otros requisitos y normas en instalaciones específicas.
- Esta unidad no está destinada para uso en exteriores.



## ADVERTENCIA

### Cómo evitar peligros generales



Use la lavadora de platos únicamente cuando esté completamente instalada. Al abrir la puerta de una lavadora de platos que no está instalada, abra la puerta con cuidado mientras sostiene la parte posterior de la unidad. No seguir esta advertencia puede provocar que la lavadora de platos se caiga, lo que ocasiona lesiones graves.

Antes de instalar los soportes de montaje en “L” para la encimera suministrados con la unidad (solo en algunos modelos), decida qué método se usará para asegurar la lavadora de platos en su abertura. Una vez que estos soportes de montaje están instalados en la lavadora de platos, es difícil retirarlos, y esto daña los soportes de montaje y la lavadora de platos.

En algunas condiciones, se puede formar gas hidrógeno en un sistema de agua caliente que no se ha utilizado durante semanas. El gas hidrógeno es explosivo.

Antes de llenar una lavadora de platos con un sistema que ha estado apagado durante semanas, deje correr agua de un grifo cercano en un área bien ventilada hasta que no haya sonido ni evidencia de gas.

Las temperaturas requeridas para soldar y fundir dañan la base y la válvula de entrada de agua de la lavadora de platos. Si se van a soldar o fundir las tuberías para plomería, mantenga la fuente de calor, al menos, a 6" (152.4 mm) de distancia de la base y de la válvula de entrada de agua de la lavadora de platos.

Retirar cualquier cubierta o jalar la lavadora de platos del gabinete puede hacer que queden expuestas las conexiones de agua caliente, la alimentación eléctrica, y puntas o bordes filosos. Manipule la unidad con cuidado.

### Cómo evitar peligros de descarga eléctrica/incendio



No permita que las líneas de electricidad ni las tuberías de suministro de agua entren en contacto. Se suministran canales separados debajo de la lavadora de platos.

No trabaje en un circuito energizado. Hacerlo podría ocasionar lesiones graves o la muerte. Únicamente los electricistas calificados pueden realizar la instalación eléctrica. No intente realizar ningún trabajo en el circuito de suministro eléctrico de la lavadora de platos hasta que esté seguro de que el circuito se encuentra desenergizado.

Asegúrese de que la instalación eléctrica se haya realizado correctamente. No debe haber conexiones eléctricas sueltas. Asegúrese de que todas las conexiones eléctricas se hayan realizado correctamente.

El cliente tiene la responsabilidad de asegurarse de que la instalación eléctrica de la lavadora de platos cumpla con todos los códigos y las ordenanzas de electricidad nacionales y locales. La lavadora de platos está diseñada para un suministro eléctrico de CA de 120 V, 60 Hz, conectado a un circuito eléctrico con una conexión a tierra adecuada, exclusivo para la lavadora de platos, con un fusible o disyuntor con capacidad nominal para 15 A. Los conductores del suministro eléctrico deben ser de alambre, únicamente de cobre, con un calibre de alambre estadounidense (American Wire Gauge, AWG) n.º 14 como mínimo, con capacidad nominal para uso en temperaturas de 75 °C (167 °F) o más altas.

Este electrodoméstico debe conectarse a un sistema de cableado metálico y permanente, con conexión a tierra, o debe instalarse un conductor de conexión a tierra para equipos junto con los conductores de circuitos y conectarlo al terminal de conexión a tierra para equipos o al hilo de conexión a tierra del electrodoméstico. No use cables de extensión.

### **Cómo evitar peligros en las tuberías y peligros de escaldadura**



No realice ningún trabajo en una tubería de agua caliente que tenga carga. Podría ocasionar lesiones graves. Únicamente los plomeros calificados pueden realizar trabajos de plomería. No intente realizar ningún tipo de trabajo en las tuberías de suministro de agua caliente de la lavadora de platos hasta que esté seguro de que el suministro de agua caliente está cerrado.

No apriete en exceso el codo de 90°. Hacerlo puede dañar la válvula de entrada de agua y provocar una pérdida de agua.

Las temperaturas requeridas para soldar y fundir dañan la válvula de entrada de agua de la lavadora de platos. Si se van a soldar o fundir las tuberías para plomería, mantenga la fuente de calor, al menos, a 6" (152.4 mm) de distancia de la válvula de entrada de agua de la lavadora de platos.

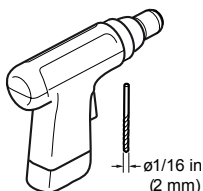
Consulte los códigos de plomería locales para conocer los procedimientos y los accesorios de plomería aprobados. Todos los trabajos de plomería deben realizarse según los códigos nacionales y locales.

Estas instrucciones describen un método de instalación para mangueras trenzadas de acero inoxidable o tuberías de suministro de agua caliente de polietileno reticulado (Cross-linked polyethylene, PEX). Si usa tubos de cobre o de otro material para el suministro de agua, haga que un plomero autorizado realice la instalación correspondiente.

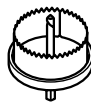
## Herramientas y materiales necesarios



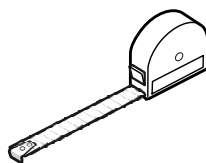
Llave ajustable



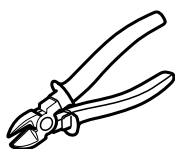
Taladro



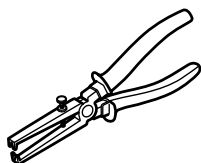
Sierra de agujero



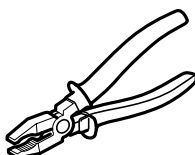
Cinta métrica



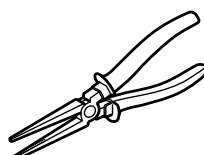
Cortador de cables



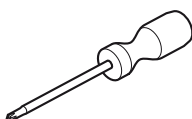
Separador de alambre



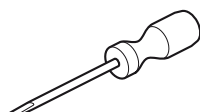
Alicates



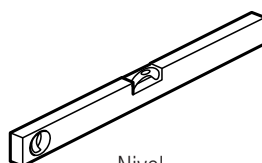
Alicates



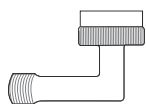
Destornillador Phillips



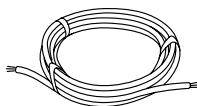
Destornillador de ranura



Nivel



Acoplador acodado con rosca exterior femenina de 3/4" en una extremidad y en otra extremidad del tamaño adecuado para poder conectarlo a la alimentación de agua (tubo de cobre/accesorios su jetadores de compresión o manguera con alambre trenzado).

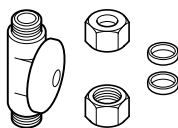


Cable de suministro eléctrico: AWG n.º 14 como mínimo, 2 conductores con 1 conexión a tierra, conductores de cobre aislados, con capacidad nominal para 75 °C o más. Únicamente se necesita si la línea eléctrica de la vivienda no es adecuada.

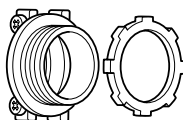


Línea de suministro de agua caliente: tubos de cobre con diámetro externo de 3/8 pulg., como mínimo, o línea de suministro de la lavadora de platos de metal trenzado.

Únicamente necesaria si la línea de suministro de agua de la vivienda no es suficiente.



Válvula de cierre y conectores adecuados para la línea de suministro de agua caliente (tubos de cobre/conector de compresión o manguera trenzada).



Se requiere un conector de conductos o un protector para cable incluidos en el listado de UL si conecta el cableado de campo directamente al bloque de terminales.

## Materiales suministrados

A



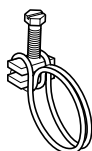
Tornillos para los soportes de montaje  
Ø 4x13mm

B



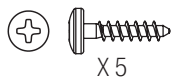
Abrazadera para manguera de drenaje

C



Abrazadera de tornillo (para mangueras)

D



Los tornillos  
X 5

E



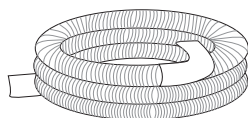
Tornillo de la cubierta de la caja de conexiones

F



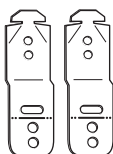
Tornillos del panel de pie  
X 2

G



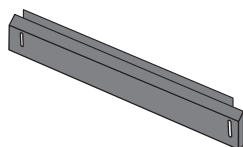
Manguera de drenaje

H



Soportes de montaje

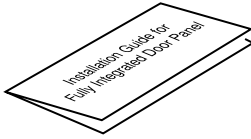
I



Panel de pie

## Materiales suministrados

(depende del modelo; Su lavavajillas se suministra con uno de los kits de panel de dedo que se muestra a continuación)



Guía de instalación para panel de puerta completamente integrado

### **Inspeccione la lavadora de platos**

Después de desembalar la lavadora de platos y antes de la instalación, inspeccione exhaustivamente la unidad para detectar posibles daños estéticos u ocasionados por el transporte. Reporte de inmediato cualquier daño.

Los defectos estéticos deben reportarse en un período de 30 días después de la instalación.

*NOTA: No deseche ninguna bolsa ni artículo suministrado con el paquete original hasta que se haya completado toda la instalación.*

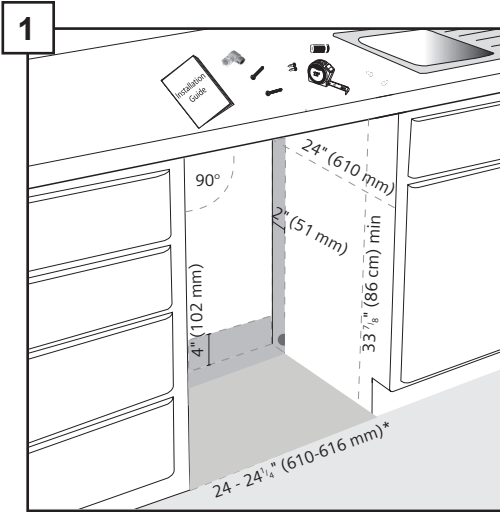


## **¡IMPORTANTE!**

**Antes de comenzar, usted debe leer las instrucciones de seguridad al reverso de esta hoja.**

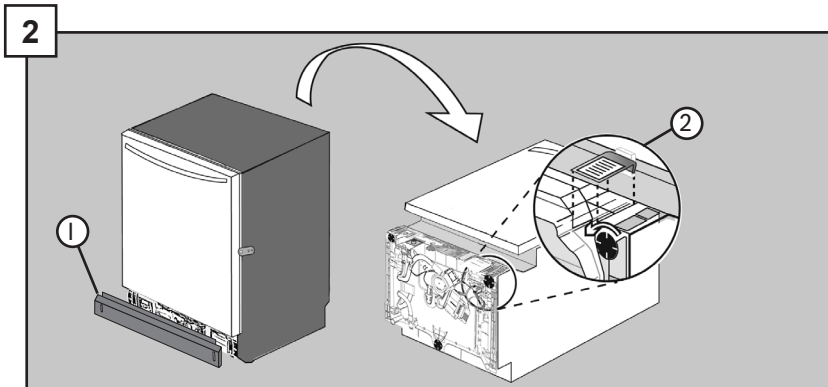
### **ANTES DE INSTALAR SIGA LOS SIGUIENTES PUNTOS**

- Desempaque la unidad. Conserve el material de empaque hasta que la instalación esté terminada.
- Remueva todo el material de empaque del interior del lavaplatos.
- Examine las piezas para asegurarse de que tiene todo el material necesario.
- Abra la llave del suministro de agua caliente de la casa y deje el agua correr por lo menos dos minutos.
- Mida el área del recinto donde será instalado el lavaplatos.
- ¿Tiene la abertura por lo menos 34 " (863.6 mm) de alto y 24 " (609.6 mm) de ancho?
- ¿Está la abertura lo bastante cerca del fregadero como para que la línea del agua y la manguera del desagüe tengan acceso a las tuberías?
- ¿La unidad será instalada lo bastante cerca del fregadero de forma que la longitud de la manguera de desagüe no exceda 92" (2336.8 mm) y de manera que una porción de ésta se eleve cuando menos 33" (840 mm) sobre el piso?
- ¿Las aberturas para el cable eléctrico, la línea de agua y la ruta de la manguera de desagüe a través del gabinete caben dentro del área sombreada en la figura 1?
- ¿Están las aberturas de madera lijadas y lisas y las de metal cubiertas por una junta protectora?
- ¿Su calentador de agua está regulado a 120° F (49°C) y la presión del agua es 15-145 psi (barra 1-10)?
- ¿Si se instala en una esquina, ¿la puerta del lavaplatos tiene espacio libre para abrirse?
- Defina el método de montaje basado en el modelo del lavaplatos y el tipo de cubierta de cocina (ver las cuadros 19-22).
- Utilice solamente el hardware incluido para instalar. Si substituye el lavaplatos, disponga de la manguera vieja y del otro equipo correctamente.



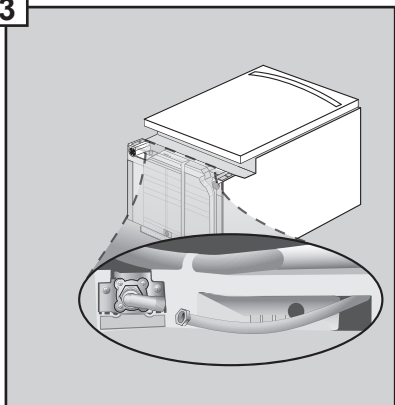
24" (600 mm) con tiras de lado quitó.

La taille minimum de trou pour la tuyauterie souple de vidange est 1 1/2" (38.1 mm). La taille minimum de trou si la tuyauterie souple de vidange et le tuyau d'admission sont par le même trou est 2" (50.8 mm).



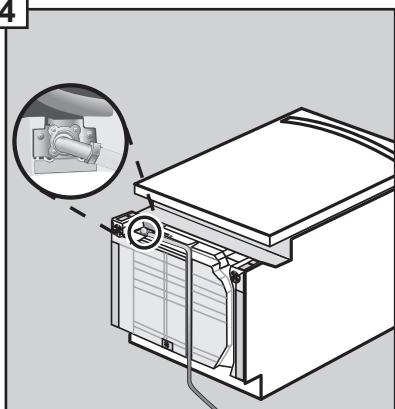
Coloque el lavaplatos suavemente sobre la parte trasera. Remueva el panel de la base (1). Afloje ligeramente los niveladores de la pata (2). Remueva la cubierta de la caja de conexiones y guárdela para uso posterior.

3



Una el codo de 90° al lavaplatos como se demuestra. No lo sobre apriete.

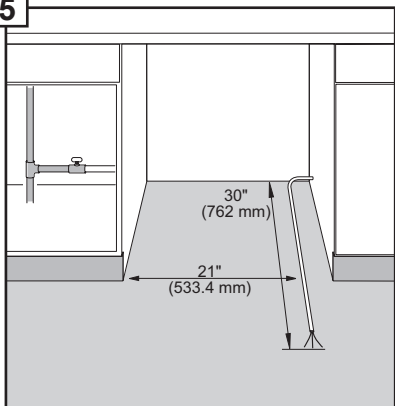
4



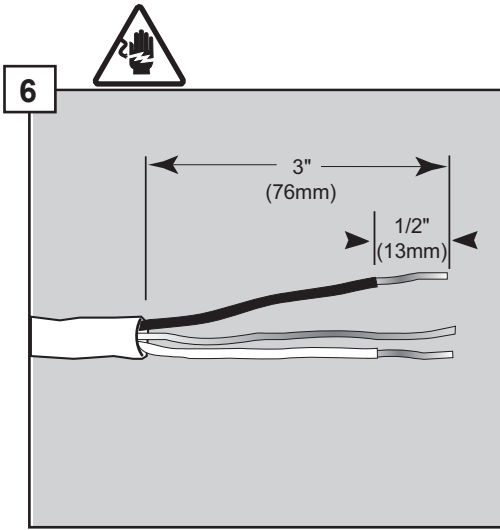
Una la línea del agua caliente al codo de 90° y dirijas debajo de la máquina hacia la unión de agua caliente. Asegúrese que la manguera no tenga contacto con las partes sueltas debajo de la unidad.



5

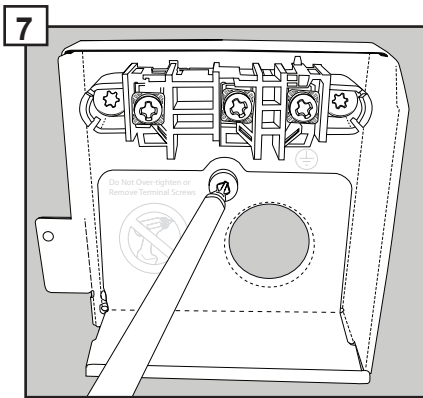


Corte la energía eléctrica en la caja de fusibles. Independientemente de donde se origine el cable de suministro eléctrico, colóquelo a 21" (533.4 mm) del lado izquierdo de la abertura. Extienda el cable 30" (762 mm) desde la pared trasera.



Pele la cubierta externa del alambre eléctrico para exponer 3" (76 mm) de los alambres internos. Después pele 1/2" (12.7 mm) de la cubierta de cada alambre individual.\*

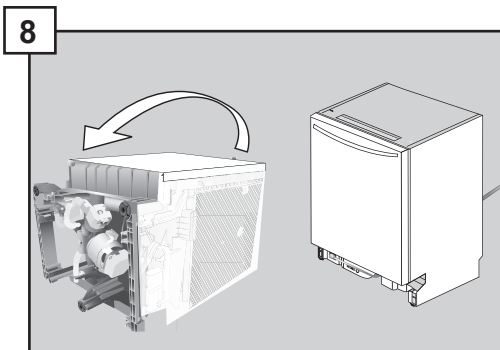
\*Si el lavaplatos va a ser conectado en un receptáculo eléctrico, contacte a servicios al cliente para ordenar el kit del cable accesorio (SKU# SGZPC001UC).



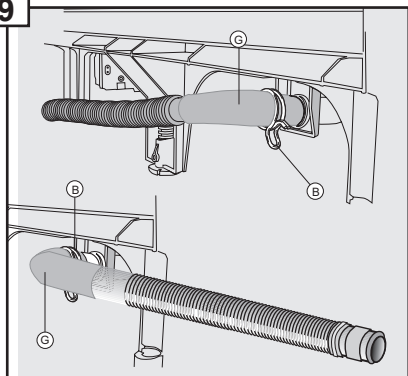
Quite la placa del sujetacables. **¡No la deseche!** Más adelante será reinstalada.

**Clasificación Eléctrica del Lavaplatos**

Volts	Hertz	Amperes	Watts
120	60	12	1,450 (max)



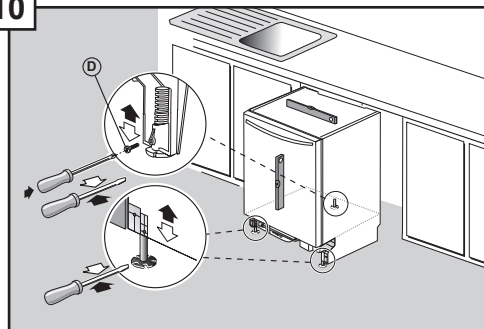
Levante la unidad, asegurándose de que la línea del agua de que no se pellizque.

**9**

Orienta la manguera de drenaje hacia la dirección de fregadero.

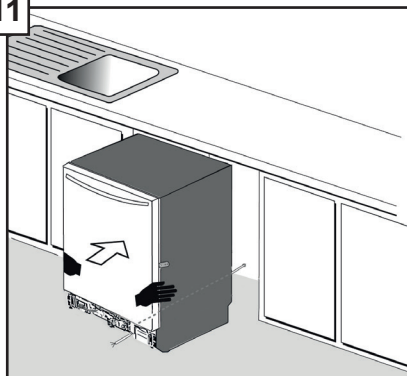
**IMPORTANTE:**

Dirija manga hacia fregadero ANTES DE la conexión. No gire después de attachment. Conecte la manguera de drenaje (parte G) a la parte posterior de la unidad con unos alicates para apretar la pinza de resorte (parte B).

**10**

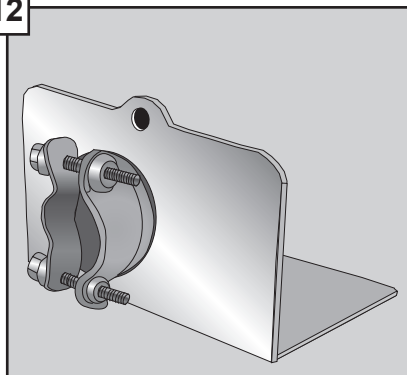
Nivele la unidad antes de meterla debajo de la cubierta girando las patas en sentido del reloj para elevarla o en sentido opuesto para bajarla. La máxima altura de la unidad con las patas totalmente extendidas es de 34.5" (876.3 mm). Coloque la unidad bajo mesada para verificar que esté nivelada. Si es necesario ajustar, retire la unidad de bajo mesada y ajustar según considera. Una vez que la unidad tenga la altura satisfactoria, inserte el tornillo de seguridad de la pata niveladora (parte D) en la pata trasera. El paso 18 completarán el proceso que nivela.

11



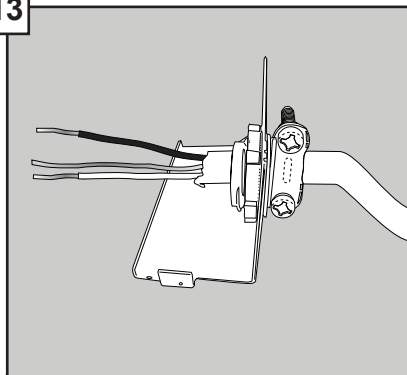
**IMPORTANTE:** No permita levelers de pierna para rasguñar ni marcar piso. El lugar entrega donde se imaginó para empujar en el lugar. Coloque las manos como se indica en la ilustración para empujar la unidad a la abertura de los gabinetes y meterla. Asegúrese de conducir la manguera de agua y de desagüe hacia el fregadero, y la línea eléctrica debajo de la unidad hacia el caja de empalme en el lado delantero. Asegúrese que el exceso de la manguera de desagüe llegue hasta el gabinete donde se encuentra el fregadero. Generalmente se colocan las unidades de tal forma que la puerta quede al ras con la puerta del gabinete y las partes delanteras de los cajones. Para lograr una óptima reducción del ruido, asegúrese que las tiras laterales tengan contacto con el gabinete.

12



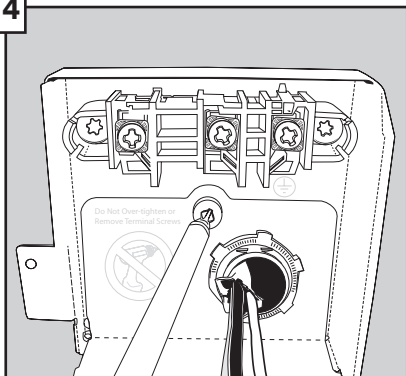
Una el sujetacables (no incluido) a la placa del sujetacables. Los dos tornillos en la parte trasera del sujetacables se deben colocar según lo demostrado para prevenir interferencias durante el montaje. Apriete la tuerca de fijación del sujetacables para evitar que éste gire.

13



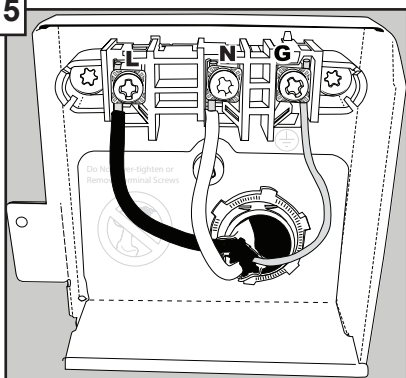
Pase los cables a través del sujetacables y la placa. Apriete la abrazadera alrededor de los cables, orientada como se demuestra. Doble el extremo del cable eléctrico como se demuestra. Esto ayudará a la instalación de la placa del sujetacables más adelante.

14



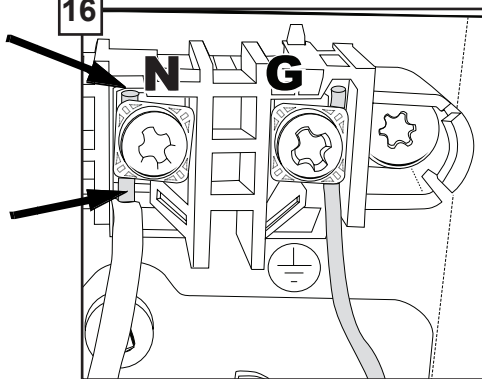
Coloque la placa montada del sujetacables nuevamente dentro de la caja de conexiones y vuelva a fijar el tornillo. Cerciñese de que la lengüeta en el lado derecho de la placa del sujetacables esté fuera de la caja de conexiones mientras la desliza hacia dentro.

15

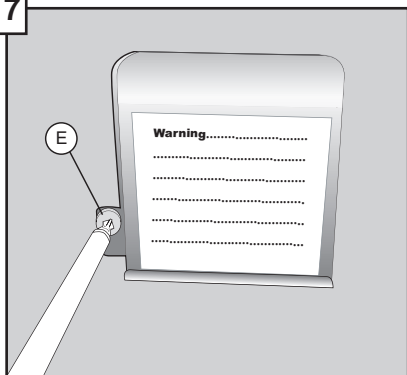


**Nota : ¡No afloje o quite los tornillos terminales!** Esto puede ocasionar daños. Use pinzas para doblar los alambres en su lugar. Inserte el alambre negro (caliente) en la abertura izquierda de la tira terminal marcada con una “L”, el alambre blanco (neutral) en la abertura media de la tira terminal marcada con una “N”, y el cobre pelado o el alambre verde (tierra) en la abertura derecha de la tira terminal marcada con una “G”.

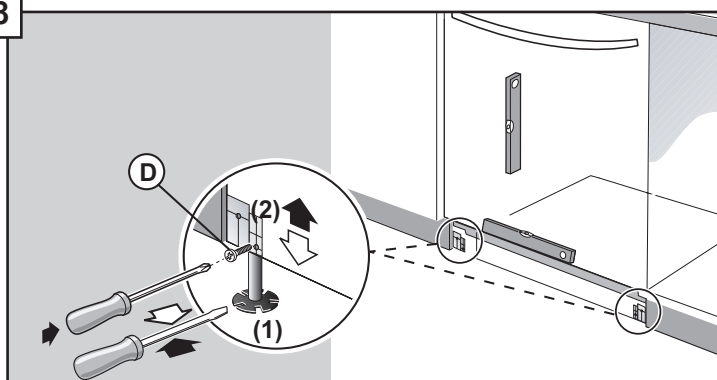
16



Cerciñese de que la porción expuesta (no-aislada) de cada alambre pelado aparezca sobre y debajo del tornillo terminal. Apriete con seguridad los tornillos terminales, pero **no los sobre apriete** pues esto puede ocasionar daños. **La mano aprieta solamente. No utilice las herramientas eléctricas.**

**17**

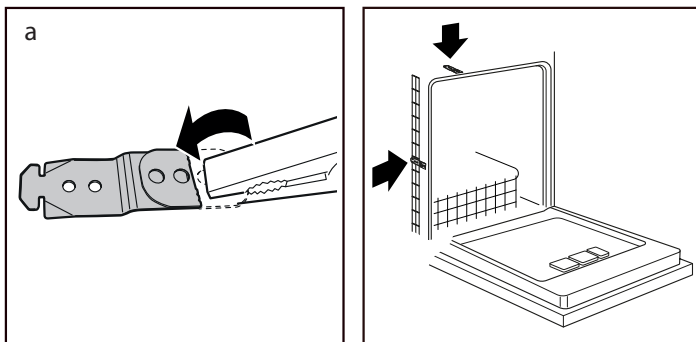
Coloque la cubierta de la caja de conexiones. Cerciñese de que la cubierta esté asentada detrás del borde delantero de la placa del sujetacables. Una la cubierta con el tornillo (parte E) del equipo de instalación.

**18**

Nivele el lavaplatos horizontalmente girando los pies (1) en sentido de las manecillas del reloj (derecha) para levantar o en sentido opuesto (izquierda) para bajar la parte frontal de la unidad. Una vez nivelado, (2) inserte los tornillos de la pata niveladora (parte D) y apriete.

**Nota: Si su encimera es de madera, vaya al Paso 20.**



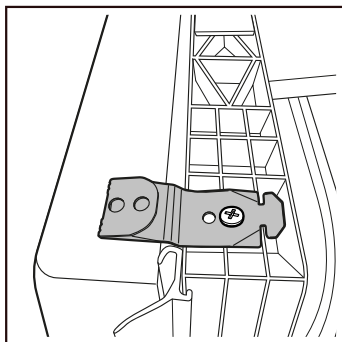
**19**

Utilizando pinzas, doble el soporte (D) en la perforación sobre sí mismo como se muestra en la figura 19a.

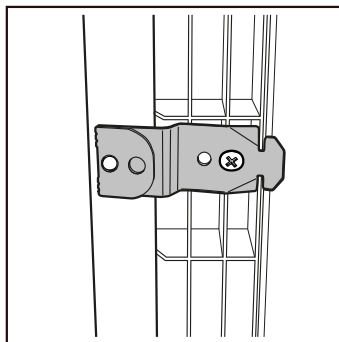
- Monte los soportes en la parte superior si su encimera es de madera u otro material que pueda taladrarse fácilmente. (ver la figura 19b)
- Monte los soportes a los lados si su encimera es de piedra o si se trata de un material muy duro que no puede taladrarse fácilmente. (ver la figura 19b)

**20**

de madera/  
Superior

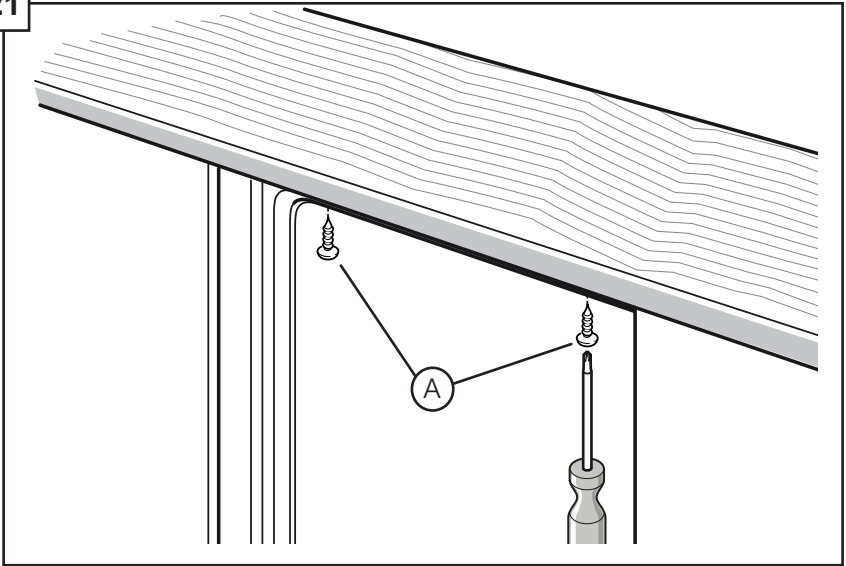


de piedra/  
Side Mount

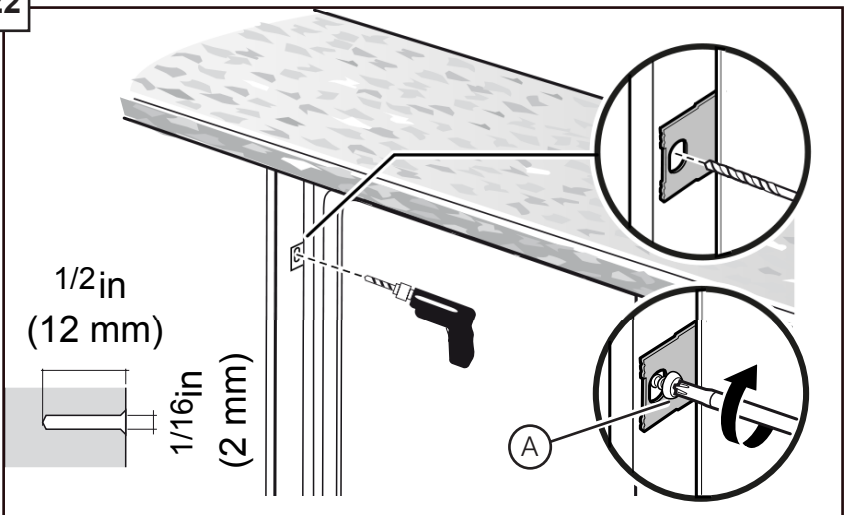


Fije los soportes de montaje al marco con los tornillos incluidos (D).

21



22



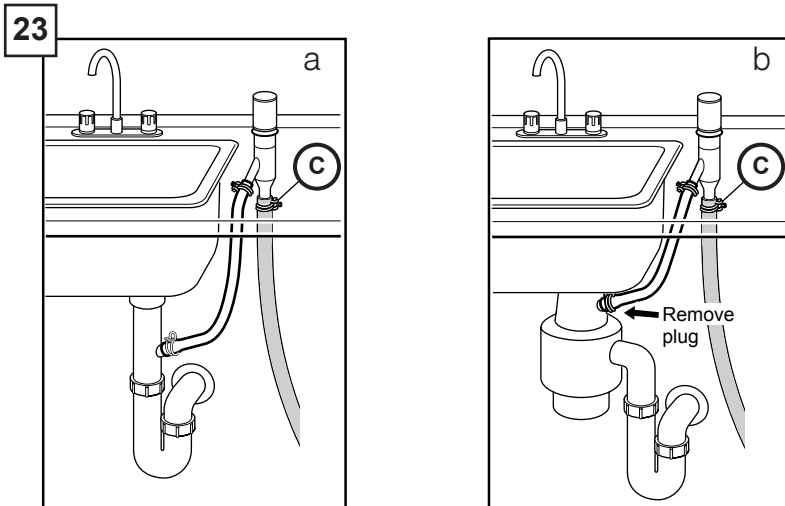
Coloque los tornillos de montaje (A) a través de los orificios que se encuentran en los soportes de montaje, como se muestra para el montaje superior (21) o lateral (22).

## Conexiones del drenaje

### NOTAS:

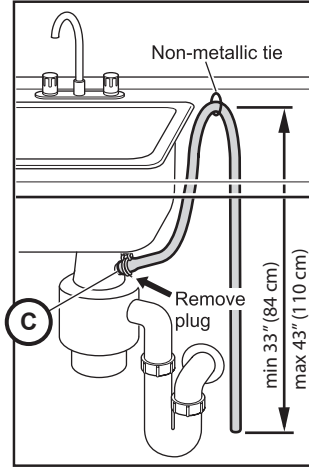
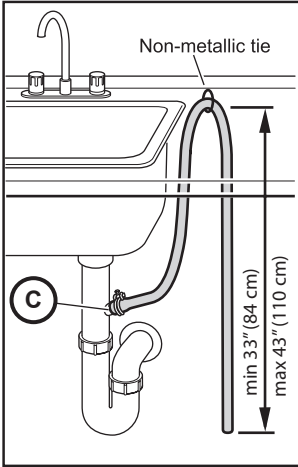
- Si las ordenanzas locales requieren un espacio de aire, instálelo de acuerdo con las instrucciones del fabricante.
- Si la manguera de drenaje de la lavadora de platos debe conectarse a una conexión de drenaje para lavadora de platos de un triturador de desechos, retire el tapón de la conexión de drenaje para lavadora de platos del triturador de desechos.
- De todo su largo, la manguera de drenaje de la lavadora de platos debe tener una parte que esté firmemente sujeta 33 pulgadas (84 cm) por encima del piso del gabinete.
- La longitud de la manguera de drenaje puede extenderse si es necesario. La longitud máxima de la manguera de drenaje, incluida la manguera que se conecta con el espacio de aire, es de 150 pulgadas (380 cm).

**NOTA: Coloque la abrazadera de la manguera alrededor del extremo de la manguera de drenaje ANTES de conectarla a la tubería.**



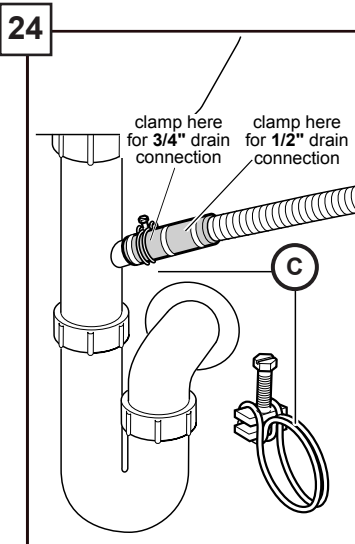
La manguera de drenaje de la lavadora de platos puede conectarse a la tubería de drenaje utilizando un espacio de aire de dos maneras:

- Conectando a la conexión de drenaje para lavadora de platos debajo del fregadero (25a).
- Conectando a la conexión de drenaje para lavadora de platos de un triturador de desechos (25b).

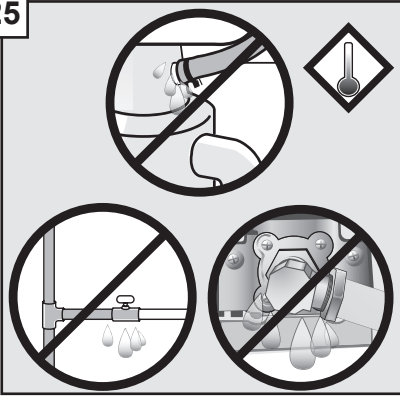


La manguera de drenaje de la lavadora de platos puede conectarse a la tubería de drenaje utilizando un bucle alto de dos maneras:

- Conectando a la conexión de drenaje para lavadora de platos debajo del fregadero (25c).
- Conectando a la conexión de drenaje para lavadora de platos de un triturador de desechos (25d).

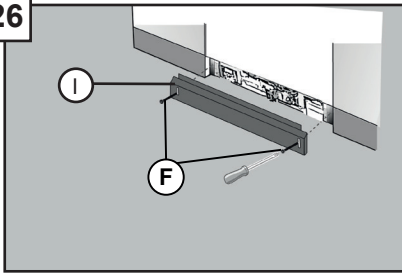


Utilice la abrazadera que se proporciona (C) para conectar la manguera de drenaje a la tubería de la vivienda, como se muestra.

**25**

Una la línea del agua a la válvula de apagado del agua caliente. Prenda el agua y revise si hay fugas. Encienda la energía eléctrica en la caja de fusibles. Encienda el lavaplatos, escuche el agua y la bomba de distribución de agua. Prensa cancele/Remettre à l'état initial, a drene y revise si hay fugas.

**NOTA:** Si su lavavajillas con un kit de leva vellón, siga las instrucciones que vienen en el kit ce instalar el vellón.

**26**

**NOTA:** Si su panel de pie es de plástico, saltee este paso y vaya a los pasos 25-26.

Sujete el panel metálico (parte I) de la base con tornillos (parte F) de modo que está nivelado con el piso. ¡Éxito! Su instalación está terminada.

## Servicio al Cliente

Su lavavajillas no requiere atención especial diferente del que se describe en la sección de cuidado y mantenimiento del manual de uso y cuidado. Si tiene algún problema con su lavavajilla, consulte la sección de autoayuda en el manual de uso y cuidado antes de llamarnos y solicitar ayuda. Si se necesita servicio, póngase en contacto con su distribuidor o instalador o con un centro de servicio autorizado. No trate de reparar el aparato usted mismo. Todo trabajo realizado por personas no autorizadas puede invalidar la garantía.

Si usted tiene algún problema con su lavavajillas y no está contento con el servicio que haya recibido, tome los siguientes pasos por favor (en el orden listado abajo) hasta corregir el problema a su entera satisfacción:

1. Contacte a su instalador o al contratista de servicio autorizado en su área.
2. Contáctenos por nuestro sitio web. Consulte su manual de uso y cuidado para las instrucciones.
3. Escríbanos a la siguiente dirección:

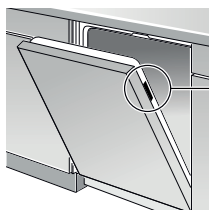
BSH Home Appliances Corporation  
1901 Main Street  
Irvine, CA 92614

Llámenos al número de teléfono del servicio al cliente que aparece en la etiqueta en el borde derecho de la puerta de la lavavajillas como se muestra. 1-800-735-4328

Asegúrese por favor de incluir (si está escribiendo) o tener a la mano (si está hablando) la siguiente información:

- Número de modelo (SH \_\_\_\_\_)
- Código de fecha (FD \_\_\_\_\_)
- Fecha de la compra original (mm/dd/yyyy)
- Fecha cuando se originó el problema (mm/dd/yyyy)
- Explicación del problema

Por favor haga una copia de su factura y guárdela junto con este manual. El cliente debe presentar prueba de compra para obtener el servicio de garantía.



BOSCH	Cust. Service (SERVICE CLIENTÈLE): 1-800-944-2904	~ 120 V 12.0 A 60 Hz		US		ENERGY STAR CERTIFIED ENERGY EFFICIENT VERIFIED
MODEL NUMBER (NUMERO DE MODELE)	SH#####UC/06		0.2 kW		1.2 kW	LISTED (LISTÉ)
FD910300001	Made in the USA of US and imported parts (Fabriqué aux E.-U. de pièces E.-U. et importées)	766		DISHWASHER (LAVAGE-VAISSELLE)	E 103022	Classified as standard dishwashers are not intended for increased food establishments. Les lave-vaisselle standardisés certifiés ne sont pas destinés aux établissements alimentaires agréés.
SN6P5B	10103098989100011					EP3132762



9001 363 408 (9803) 640B