

**WH95FC • 14" Marine Crescent Ice Maker • Marine Series**

**FEATURES & BENEFITS**



WHITE SOLID  
(FLANGE TO  
CABINET)

<b>PERFORMANCE</b>	<ul style="list-style-type: none"> <li>• Uses less than 3 gallons of water to produce up to 23 lbs of ice per day</li> <li>• Up to 12 lbs in ice storage capacity</li> <li>• Crescent ice cube dimensions: 1/2" W x 3/4" H x 1/2" L</li> <li>• On/Off switch is conveniently located on the grille</li> <li>• Available in 115 or 220 - 240 volts</li> </ul>
<b>INTERIOR/EXTERIOR</b>	<ul style="list-style-type: none"> <li>• No drain required</li> <li>• Zero clearance door swing is field reversible</li> <li>• Standard travel package includes door latch, ensuring safe-at-sea storage</li> <li>• Corrosion and UV resistant components provide product longevity in harsh environments</li> </ul>
<b>INTEGRATION</b>	<ul style="list-style-type: none"> <li>• Unit is designed to be built-in or can be freestanding</li> <li>• Accepts a 1/4" custom panel</li> <li>• 1/2" flange mounts flush to cabinet</li> </ul>

**MODEL DETAILS**

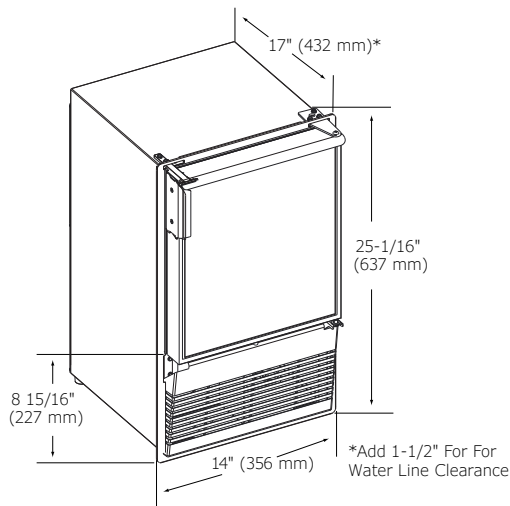
Model	Voltage	Door Swing	Finish	Shipping Weight
ULN-WH95FCS-03A	115	Field Reversible (Flange to Cabinet)	White Solid	62 lbs
ULN-WH95FCS-20A	220 - 240	Field Reversible	White Solid	62 lbs

**ACCESSORIES**

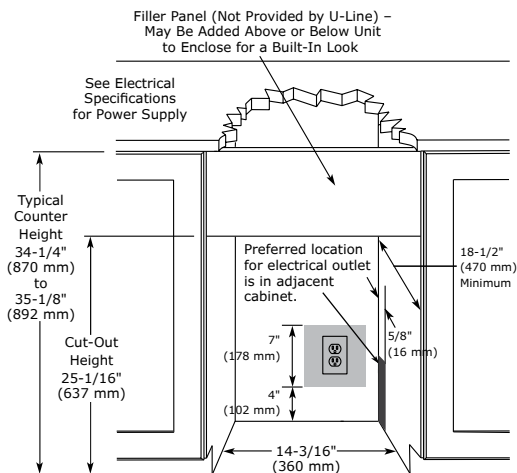
Model	Description	Finish	Shipping Weight
WATERHOOKUP	Braided water supply line kit	na	2 lbs

Marine Series • 14" Marine Crescent Ice Maker • **WH95FC**

**DIMENSIONS**



**CABINET CUT-OUT**



**INSTALLATION NOTES**

No additional clearance around sides, top or rear of unit is needed for ventilation.

Do not obstruct front grille air flow.

**SPECIFICATIONS**

Model	WH95FC
Amps: Running (115 v)	1.2
Amps: Running (220 - 240 v)	1.2
Amps: Max Start Up (115 v)	18
Amps: Max Start Up (220 - 240 v)	6
Control Type	On/Off Switch
Defrost Type	Manual
Dimensions: Product Depth	17" / 432 mm
Dimensions: Product Height	25 1/16" / 637 mm
Dimensions: Product Width	14" / 356 mm
ENERGY STAR	na
Ice Production Per Day	23 lbs
Ice Storage	12 lbs
Product Weight: Max	56 lbs
Refrigerant Type	R134A
Sabbath (Star K Certified)	No

UL listing only applies to 115 v models.

Please visit [u-line.com](http://u-line.com) to view this model's User Guide. All specifications are subject to change without notice.



**ELECTRICAL REQUIREMENTS**

This unit requires a grounded a polarized 115 VAC, 60 Hz, 15 A power supply (normal household current).