

# **LIEBHERR**

**Design Guide 2009**  
**Design and Lifestyle**

---

## **Liebherr's engineering excellence in Germany provides the largest selection of freezers, refrigerators and wine refrigerators worldwide.**

Liebherr-appliances consistently specializes in the manufacturing of high quality freezers and refrigerators. With more than 300 basic models, we have the widest selection in the world. Liebherr appliances feature premium quality, numerous innovative product ideas and advanced design. Liebherr freezers and refrigerators are manufactured at three modern production plants:

Liebherr Marica in Bulgaria, Liebherr-Hausgeräte Ochsenhausen GmbH in Germany and the Liebherr-Hausgeräte Lienz GmbH in Austria.

The appliances for the North American market are produced in Austria and in Germany.

Liebherr is committed to the protection of the environment and recognizes it as a critical priority. To guarantee an optimum and consistent implementation, all ecological aspects were observed and integrated into the quality control of Liebherr in compliance with DIN EN ISO 9001.

## **Liebherr's Commitment to the Environment**

The components of Liebherr products can be recycled when the necessary resources are applied. A concern for the environment and a desire to protect resources has led to increased levels of recycling year after year. When Liebherr manufactures products, it is essential that the recyclable recovery rate of the materials we use constantly increases.

Recycling is a common goal among all manufacturers, municipalities and recycling companies to protect our environment. Protecting the environment and producing products which have a low impact on the environment, is one of Liebherr's core values. Whether you are replacing a unit or starting fresh, remember to dispose of your old appliance in an environmentally safe and friendly manner.

# Introduction

---

## LIEBHERR WARRANTY PLAN

**FULL TWO YEAR WARRANTY** - For two years from the date of original purchase, your Liebherr Warranty covers all parts and labor to repair or replace any part of the product which proves to be defective in materials or workmanship.

**FULL FIVE YEAR WARRANTY** - For five years from the date of original purchase, your Liebherr Warranty covers all parts and labor to repair or replace any components that prove to be defective in materials or workmanship in the sealed system. The "Sealed System" means only the compressor, condenser, evaporator, drier and all connecting tubing.

**LIMITED 6TH THROUGH 12TH YEAR WARRANTY** - From the 6th through 12th year from the date of original purchase, your Liebherr Warranty covers all parts that prove to be defective in materials or workmanship in the sealed system (parts only).



### Customer Service

If your appliance is not working properly please call the numbers listed below.

Give the **fault number displayed**, together with the **Type Designation, Service Number** and **Appliance Number (Serial Number)** from the model plate, to ensure prompt, accurate servicing. The model plate is located inside the appliance.

Leave the appliance door closed until the customer service technician arrives to minimize any further cold loss.

### For Service and Parts in the U.S.: Liebherr Service Center

15545 N. 77th Street  
Scottsdale, AZ 85260

Phone: (480) 998-0141  
Fax: (480) 998-7877  
Toll Free: **1-866-LIEBHERR or  
1-866-543-2437**

[www.liebherr-appliances.com](http://www.liebherr-appliances.com)

### For Service and Parts in Canada: Euro Parts

579 Campbell Street,  
P.O. Box 759,  
Lucknow, Ontario, N0G 2H0

Phone: (519)528-5005  
Fax: (519)528-5001  
Toll Free: **1-888-Liebherr or  
1-888-543-2437**

[www.euro-parts.ca](http://www.euro-parts.ca)

# Contents

---

## General Remarks

Safety Warnings	I
Electrical Requirements & Safety	II
Area Requirements	III
Safety Regulations	IV

## Design and Lifestyle

XS 1200	1
WS 1200	2
Unit and Cabinet Dimensions	3

---

# General Remarks

---

## I. Safety Warnings

### PLEASE READ AND FOLLOW THESE INSTRUCTIONS

This design guide contains Danger, Warning and Caution statements. This information is important for safe and efficient installation.

This design guide is not replacing the use and care manual which contains important information on how to use Liebherr appliances.

Always read and follow all Warning and Caution statements!

██████████  **DANGER** ██████████

Danger indicates a hazard which cause serious injury or death if precautions are not followed.

██████████  **WARNING** ██████████

Warning indicates a potentially hazardous situation which, if not avoided, could result in death or serious injury.

██████████  **CAUTION** ██████████

Caution indicates a potentially hazardous situation which, if not avoided, may result in minor or moderate injury.

### *IMPORTANT*

This highlights information that is especially relevant to a problem-free installation.

Make sure incoming voltage is the same as the unit rating.

To reduce the risk of fire, electric shock, or personal injury, the installation work and electrical wiring must be done by a qualified electrician in accordance with all applicable codes and standards, including fire rated construction.

### **To the Installer**

It is very important that the guidelines and instructions are followed in this design guide to ensure proper installation and operation of the unit. The Installation Guidelines section contains important information for making sure the installation is correct. Read and understand all the information and installation guidelines in this manual before the unit is installed.

It is also very important to **know** the Safety Information.

## General Remarks

---

### II. Electrical Requirements & Safety

Connect the appliance to a 115 VAC, 10 amp circuit that is controlled by a circuit breaker or fuse.

We recommend using a dedicated circuit for these appliances to prevent electrical overload. Comply with the National Electrical Code as well as local codes and ordinances when installing the receptacle.

The power cord is equipped with a three-prong (grounding) plug for your protection against possible shock hazards. To maintain this protection:

- Do not modify the plug by removing the round grounding prong.
- Do not use a power cord that is frayed or damaged.

#### WARNING

**Do not ground to a gas pipe. Check with a qualified electrician if you are not sure the appliance is properly grounded. Do not have a fuse in the neutral or grounding circuit.**

#### WARNING

#### ELECTROCUTION HAZARD

**Electrical Grounding Required. This appliance is equipped with a three-prong(grounding) polarized plug for your protection against possible shock hazards.**

- **DO NOT** remove the round grounding prong from the plug.
- **DO NOT** use a two-prong grounding adapter.
- **DO NOT** use an extension cord to connect power to the unit.

### III. Area Requirements

Verify the following:

- Finished floor height is level.
- Electrical outlet is in correct location.

#### CAUTION

**To protect the refrigerator from possible damage, allow the appliance to stand 1/2 to 1 hour in place before turning the electricity on. This allows the refrigerant and system lubrication to reach equilibrium.**



## General Remarks

---

### IV. Safety Regulations

The appliance complies with UL250 and CAN/CSA-C 22,2 No. 63 and is designed to cool, freeze, store food as well as make ice (if equipped). It is designed as a household appliance. If used commercially, the relevant regulations on commercial use must be observed.

The appliance is set to operate within specific ambient temperature limits according to its climate rating. These temperature limits should not be exceeded. The correct climate rating for your appliance is indicated on the model plate.

This is explained as follows:

Climate Rating	Set for Ambient Temperatures of
SN	50°F to 90°F (10°C to 32°C)
N	61°F to 90°F (16°C to 32°C)
ST	61°F to 100°F (18°C to 38°C)
T	61°F to 109°F (18°C to 43°C)
SN-ST	50°F to 100°F (10°C to 38°C)
SN-T	50°F to 109°F (10°C to 43°C)

The refrigerant circuit has been tested for leaks.

For the user with exclusive demands, Liebherr now offers a small range of “Design & Lifestyle” appliances. The Humidor XS 200 and the wine storage cabinet WS 1200 convince with a glass door in a stainless steel frame, even a stainless steel housing and multiple features inside.

**Humidor XS 200:** To provide perfect enjoyment, cigars mature for some time after production in special climate chambers at humidity of 68 % to 75 %. Maintaining this humidity and keeping to a storage temperature of 41 °F to 68 °F is essential for preserving the quality or for aging cigars. Liebherr’s new humidor provides the perfect climatic conditions for storing or aging cigars over a long period.

**Wine Storage Cabinet WS 1200:** The temperature at which wine is served is key for savouring it at its best. The new WS 1200 wine storage cabinet in elegant stainless steel with glazed door has a compact footprint, yet it stores a selection of up to 12 Bordeaux bottles at perfect drinking temperature. The cabinet provides a focal point in any environment, with the option to wall mount or position it on furniture, the most coveted wines in your collection can always be in sight and ready to hand for serving.



### XS 200

Energy Supply:	115V / 60Hz / 1.3A
Climate Rating:	N
Door hinges:	right
Door:	glass door with stainless steel

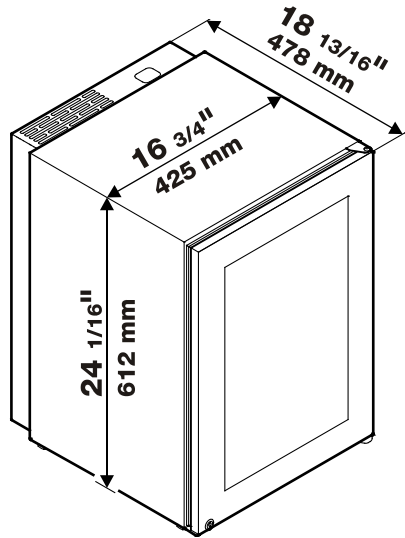
- Touch electronic control system
- LED lighting
- Wooden shelves and presentation boxes crafted from Spanish cedar wood
- Activated charcoal filter



WS 1200  
Energy Supply: 115V / 60Hz / 1.5A  
Climate Rating: SN  
Door hinges: right  
Door: glass door  
with stainless steel

- Touch electronic control system
- LED lighting
- Removable wooden shelves
- Activated charcoal filter

**Unit Dimensions XS 200, WS 1200**





# **LIEBHERR**

**Design Guide 2009**  
**Design and Lifestyle**