



*Steel the scene!*

## Brisas BMIS

With its curved, stainless steel frame, Brisas BMIS looks as delicate as its Brisas BMI counterpart until you look under its 18-gauge curved stainless steel wing. With reliable 3-speed mechanical controls, front-loaded 50-watt halogen lights bulbs and the supersized 5-ply aluminum mesh filter, the Brisas BMIS wall-mounted range hood complements the strong, silent 600-cfm internal motor. So be the star with confidence with Brisas BMIS.

### FEATURES OF HIGH QUALITY

- Available in 30" and 36"
- Available with 600-cfm or 290-cfm internally installed motor
- Stainless steel 3-speed mechanical controls
- Sturdy stainless steel construction
- Durable, washable 5-ply aluminum mesh filters
- Optional recirculation kit
- Standard telescopic duct covers up to 9' ceilings
- Optional duct cover extensions for up to 12' ceilings
- Designed for 6-inch vertical ducted installations

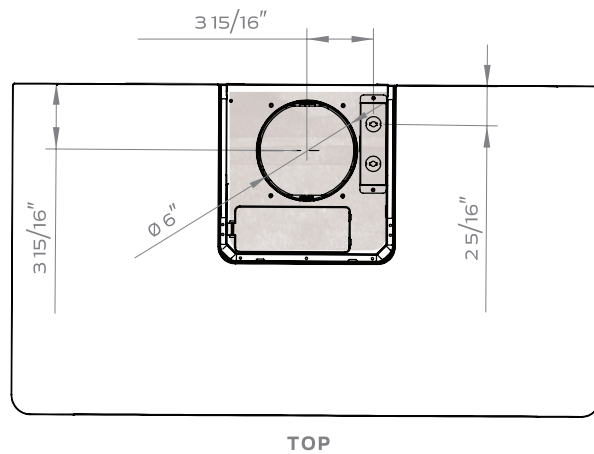
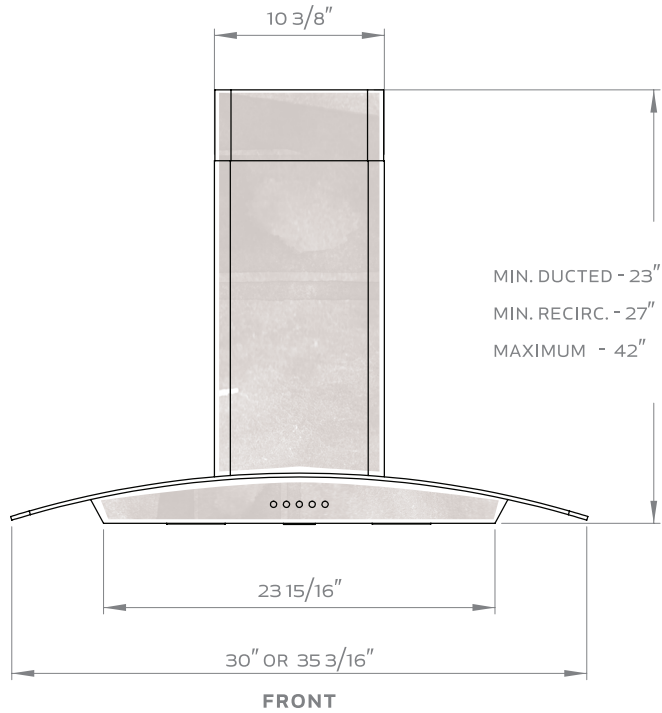


**brisas**

BRISASRANGEHOODS.COM



# Brisas BMIS



BMI-E36BS / BMI-E36BS290

<b>SIZE</b>	36"
<b>NET WIDTH</b>	35-3/16"
<b>PERFORMANCE</b>	
Blower CFM, Max.	600 / 290
Sones, Max.	6 / 2.8
<b>COLOR</b>	
Stainless Steel	SS
<b>FEATURES</b>	
Controls	Mechanical Push Button
Speed Levels	3
Delay Off	No
Lighting	Halogen, 50W x2
Dual Level Lighting	No
Filters	Stainless Steel Mesh
Recirculating Option	Yes
Extension Duct Cover Option	Yes, Up to 12' Ceiling
<b>DUCT SPECIFICATIONS</b>	
Internal Blower - Vertical	6" round
Internal Blower - Horizontal	NA
<b>AC INPUT</b>	
	120V - 60Hz
<b>AC POWER</b>	
	400W, 3.5A / 170W, 1.5A
<b>OPTIONAL ACCESSORIES</b>	
Recirculating Kit	BRC-0005
Extension Duct Cover	B1C-00MI
<b>MOUNTING HEIGHT*</b>	
	26" - 34"

	CEILING HEIGHT	8'	8.5'	9'	9.5'	10'	10.5'	11'	12'
<b>STANDARD DUCT COVER</b>	Ducted Mounting Height*	26"-34"	26"-34"	30"-34"	N/A	N/A	N/A	N/A	N/A
	Recirc. Mounting Height*	26"-33"	26"-34"	30"-34"	N/A	N/A	N/A	N/A	N/A
<b>EXTENSION DUCT COVER</b>	Ducted Mounting Height*	N/A	N/A	26"-26"	26"-32"	26"-34"	26"-34"	26"-34"	28"-34"
	Recirc. Mounting Height*	N/A	N/A	N/A	26"-28"	26"-34"	26"-34"	26"-34"	28"-34"

\*Mounting height refers to distance between top of a 36" tall cooking surface and bottom of hood.