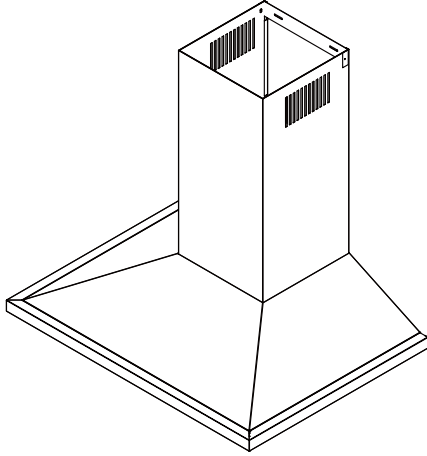


Use, Care, and Installation Guide

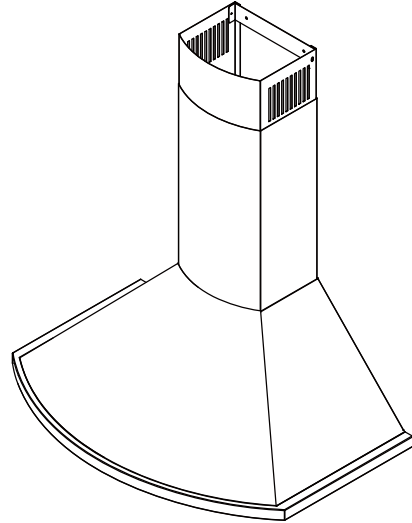
ZAN-E30CS
ZAN-M90CS

ZAN-E30CBS
ZAN-M90CBS



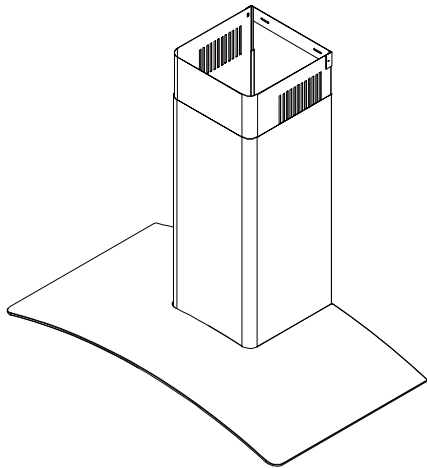
ZSA-E30DB
ZSA-E30DS
ZSA-M90DB
ZSA-M90DS

ZSA-E30DW
ZSA-E30DBS
ZSA-M90DW
ZSA-M90DBS

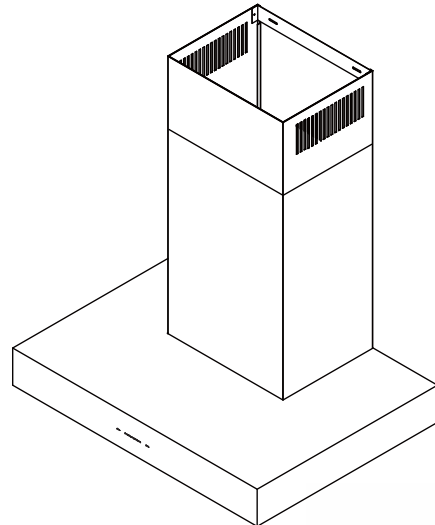


ZRV-E30BGC
ZRV-E30BGG
ZRV-E30BBSGG

ZRV-M90BGC
ZRV-M90BGG
ZRV-M90BBSGG



ZRO-E30DS
ZRO-M90DS



Model Number: _____

Serial Number: _____



SAFETY NOTICE	2-3
LIST OF MATERIALS	4
INSTALLATION	
Ducting Calculation Sheet.....	5
Mounting Height & Clearance.....	6
Ducting Options	7
Hood Specifications	8 - 11
Mounting the Hood.....	12
Ductless Recirculating	13
FEATURES & CONTROLS	
ICON Touch Controls	14 - 15
MAINTENANCE	
Hood and Filter Cleaning.....	16
ACT CONVERSION	17
WIRING DIAGRAMS	18
FAN CURVE DIAGRAMS	19 - 20
TROUBLESHOOTING	21
LIST OF PARTS AND ACCESSORIES	22
WARRANTY	23
PRODUCT REGISTRATION	24

Important Safety Notice

WARNING

TO REDUCE THE RISK OF FIRE OR ELECTRIC SHOCK, DO NOT USE THIS FAN WITH ANY SOLID-STATE CONTROL DEVICE.

WARNING

TO REDUCE THE RISK OF FIRE ELECTRIC SHOCK, OR INJURY TO PERSONS, OBSERVE THE FOLLOWING:

- a. Use this unit only in the manner intended by the manufacturer, if you have questions, contact the manufacturer.
- b. Before servicing or cleaning unit, switch power off at service panel and lock panel to prevent power from being switched on accidentally. When the service disconnecting means cannot be locked, securely fasten a prominent warning device, such as a tag, to the service panel.

CAUTION

For general ventilating use only. Do not use to exhaust hazardous or explosive materials and vapors. Take care when using cleaning agents or detergents. Suitable for use in household cooking area.

WARNING

TO REDUCE THE RISK OF RANGE TOP GREASE FIRE:

- a. Never leave surface units unattended at high settings. Boilovers cause smoking and greasy spillovers that may ignite. Heat oils slowly on low or medium settings.
- b. Always turn hood ON when cooking at high heat or when flaming food
- c. Clean ventilating fans frequently. Grease should not be allowed to accumulate on fan or filter.
- d. Use proper pan size. Always use cookware appropriate for the size of the surface element.
- e. Keep fan, filters and grease laden surfaces clean.
- f. Use high setting on hood only when necessary.
- g. Don't leave hood unattended when cooking.
- h. Always use cookware and utensils appropriate for the type of and amount of food being prepared.

WARNING

TO REDUCE THE RISK OF INJURY TO PERSONS IN THE EVENT OF A RANGE TOP FIRE, OBSERVE THE FOLLOWING:

- a. SMOTHER FLAMES with a close-fitting lid, cookie sheet, or metal tray, then turn off the burner. BE CAREFUL TO PREVENT BURNS. If the flames do not go out immediately, EVACUATE AND CALL THE FIRE DEPARTMENT.
- b. NEVER PICK UP A FLAMING PAN – You may be burned.
- c. DO NOT USE WATER, including wet dishcloths or towels – a violent steam explosion will result.
- d. Use an extinguisher ONLY if:
 - 1. You know you have a Class ABC extinguisher, and you already know how to operate it.
 - 2. The fire is small and contained in the area where it started.
 - 3. The fire department is being called.
 - 4. You can fight the fire with your back to an exit

WARNING

TO REDUCE THE RISK OF FIRE, ELECTRIC SHOCK OR INJURY TO PERSONS, OBSERVE THE FOLLOWING:

- a. Installation work and electrical wiring must be done by qualified person(s) in accordance with all applicable codes and standards. Including fire-rated construction.
- b. Sufficient air is needed for power combustion and exhausting of gases through the flue (chimney) of fuel burning equipment to prevent back-drafting. Follow the heating equipment manufacturer's guideline and safety standards such as those published by the National Fire Protection Association (NFPA) and the American Society for Heating, Refrigeration and Air Conditioning Engineers (ASHRAE) and the local code authorities.
- c. When cutting or drilling into wall or ceiling, do not damage electrical wiring and other hidden utilities.
- d. Ducted fans must always vent to the outdoors.
- e. NEVER place a switch where it can be reached from a tub or shower.
- f. Make sure the power is off before installing, wiring or maintenancing.

WARNING

TO REDUCE THE RISK OF FIRE, USE ONLY METAL DUCTWORK.

CAUTION

To reduce risk of fire and to properly exhaust air outside - Do not vent exhaust air into spaces within walls, ceilings, attics, crawl spaces or garages.

Not for use over an outdoor grill.

OPERATION

Always leave safety grilles and filters in place. Without these components, operating blowers could catch onto hair, fingers and loose clothing.

The manufacturer declines all responsibility in the event of failure to observe the instructions given here for installation, maintenance and suitable use of the product. The manufacturer further declines all responsibility for injury due to negligence and the warranty of the unit automatically expires due to improper maintenance.

***NOTE: Please check www.zephyronline.com for revisions before doing any custom work.**

ELECTRICAL REQUIREMENTS

Important:

Observe all governing codes and ordinances.

It is the customer's responsibility:

- To contact a qualified electrical installer.
- To assure that the electrical installation is adequate and in conformance with National Electrical Code, ANSI/NFPA 70 latest edition* or CSA standards C22.1-94, Canadian Electrical Code, Part 1 and C22.2 No.0-M91 - latest edition** and all local codes and ordinances.

If codes permit and a separate ground wire is used, it is recommended that a qualified electrician determine that the ground path is adequate.

Do not ground to a gas pipe.

Check with a qualified electrician if you are not sure the range hood is properly grounded.

Do not have a fuse in the neutral or ground circuit.

*National Fire Protection Association Batterymarch Park, Quincy, Massachusetts 02269

** CSA International 8501 East Pleasant Valley Road, Cleveland, Ohio 44131-5575

This appliance requires a 120V 60Hz electrical supply and connected to an individual properly grounded branch circuit protected by a 15 or 20 ampere circuit breaker or time delay fuse. Wiring must be 2 wire with ground. Please also refer to Electrical Diagram on product.

A cable locking connector (not supplied) might also be required by local codes. Check with local requirements, purchase and install appropriate connector if necessary.

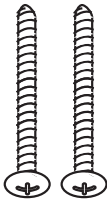
List of Materials

PARTS SUPPLIED

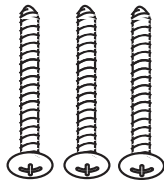
- 1 - Hood with internal blower
- 1 - Duct cover wall bracket
- 1 - Duct cover assembly (top and bottom)
- 1 - 6" round backdraft damper (pre-installed)
- 2 - Aluminum mesh filters (ZRV x 1)
- 1 - Hardware package

HARDWARE PACKAGE CONTENTS

(2) M6 x 1-1/2"



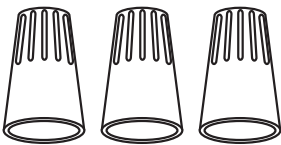
(3) M6 x 1"



(2) M4 x 8



(3) Wire Nuts





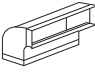
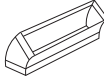
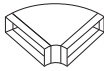
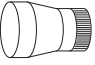
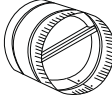
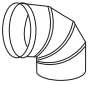

(4) 3/16 x 1/4 pan-head machine screws
(ZRV ONLY)



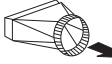
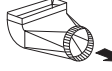
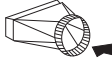
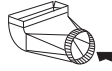
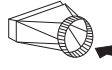
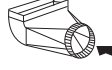
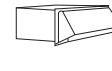
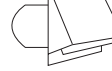

PARTS NOT SUPPLIED

- Ducting, conduit and all installation tools
- Cable connector (if required by local codes)
- Extension duct cover accessory
- Recirculating kit accessory

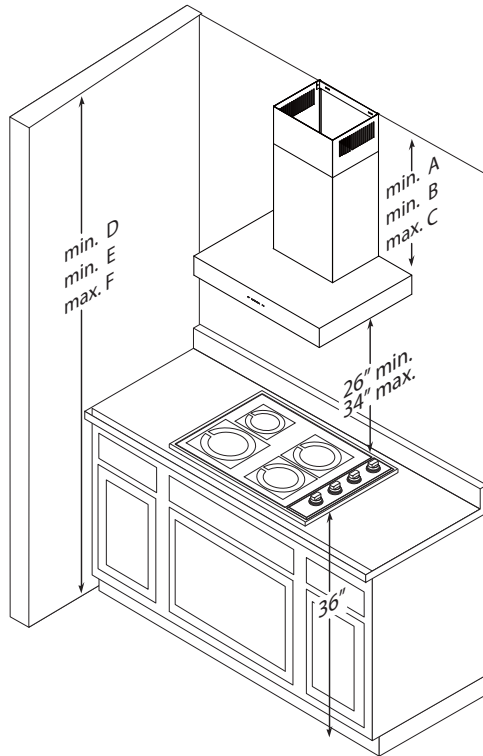
Installation – Ducting Calculation Sheet

Duct pieces		Equivalent number length x used =	Total
	3-1/4" x 10" Rect., straight	1 Ft. x () =	Ft.
	6", 7", 8", 10" Round, straight	1 Ft. x () =	Ft.
	3-1/4" x 10" Rect. 90° elbow	15 Ft. x () =	Ft.
	3-1/4" x 10" Rect. 45° elbow	9 Ft. x () =	Ft.
	3-1/4" x 10" Rect. 90° flat elbow	24 Ft. x () =	Ft.
	7" to 6" or 8" to 7" Round tapered reducer	25 Ft. x () =	Ft.
	6", 7", 8" Round in-line damper	15 Ft. x () =	Ft.
	6", 7", 8", 10" Round, 90° elbow	15 Ft. x () =	Ft.
	6", 7", 8", 10" Round, 45° elbow	9 Ft. x () =	Ft.
Subtotal column 1 =			Ft.

Maximum Duct Length: For satisfactory air movement, the total duct length should not exceed 100 equivalent feet.

Duct pieces		Equivalent number length x used =	Total
	3-1/4" x 10" Rect. to 6" round transition	5 Ft. x () =	Ft.
	3-1/4" x 10" Rect. to 6" round transition 90° elbow	20 Ft. x () =	Ft.
	6" round to 3-1/4" x 10" rect. transition	1 Ft. x () =	Ft.
	6" round to 3-1/4" x 10" rect. transition 90° elbow	16 Ft. x () =	Ft.
	7" round to 3 1/4" x 10" rect. transition	8 Ft. x () =	Ft.
	7" round to 3-1/4" x 10" rect. transition 90° elbow	23 Ft. x () =	Ft.
	3-1/4" x 10" Rect. wall cap with damper	30 Ft. x () =	Ft.
	6", 7", 8", 10" Round, wall cap with damper	30 Ft. x () =	Ft.
	6", 7", 8", 10" Round roof cap	30 Ft. x () =	Ft.
Subtotal column 2 =			Ft.
Subtotal column 1 =			Ft.
Total ductwork =			Ft.

Installation – Mounting Height & Clearance



	ZAN	ZSA	ZRV	ZRO
A	27"	28"	23"	26-1/2"
B	31"	32"	27-1/2"	30-1/2"
C	48"	45"	42-1/2"	47-1/2"
D	89" (7' 5")	90" (7' 6")	85" (7' 1")	88-1/2" (7' 4-1/2")
E	93" (7' 9")	94" (7' 10")	89-1/2" (7' 5-1/2")	92-1/2" (7' 8-1/2")
F	118" (9' 10")	115" (9' 7")	112-1/2" (9' 4-1/2")	117-1/2" (9' 9-1/2")

	ZAN	ZSA	ZRV	ZRO
A	43"	46"	41"	41"
B	47"	50"	46"	45"
C	81"	80"	80"	77"
D	105" (8' 9")	110" (9' 2")	103" (8' 7")	103" (8' 7")
E	109" (9' 1")	112" (9' 4")	108" (9')	107" (8' 11")
F	151" (12' 7")	150" (12' 6")	150" (12' 6")	147" (12' 3")

DUCTING

A minimum of 6" round duct must be used to maintain maximum air flow efficiency.

Always use rigid type metal ducts only. Flexible ducts could restrict air flow by up to 50%.

Use calculation worksheet to compute total duct work (Page 5).

ALWAYS, when possible, reduce the number of transitions and turns. If a long duct run is required, increase duct size from 6" to 7" or 8".

If turns or transitions are required: Install as far away from duct opening and as far apart between the two transitions as possible.

Minimum mount height between range top to hood bottom should be no less than 26".

Maximum mount height should be no higher than 34".

It is important to install the hood at the proper mounting height. Hoods mounted too low could result in heat damage and fire hazard; while hoods mounted too high will be hard to reach and will loose performance and efficiency.

If available, also refer to range manufacturer's height clearance requirements and recommended hood mounting height above range. Always check your local codes for any differences.

Duct cover extension kit available for ceiling heights up to 12 feet. Turn to page 22 for part number and ordering information.

DAMAGE-SHIPMENT / INSTALLATION:

- Please fully inspect unit for damage before installation.
- If the unit is damaged in shipment, return the unit to the store in which it was bought for repair or replacement.
- If the unit is damaged by the customer, repair or replacement is the responsibility of the customer.
- If the unit is damaged by the installer (if other than the customer), repair or replacement must be made by arrangement between customer and installer.

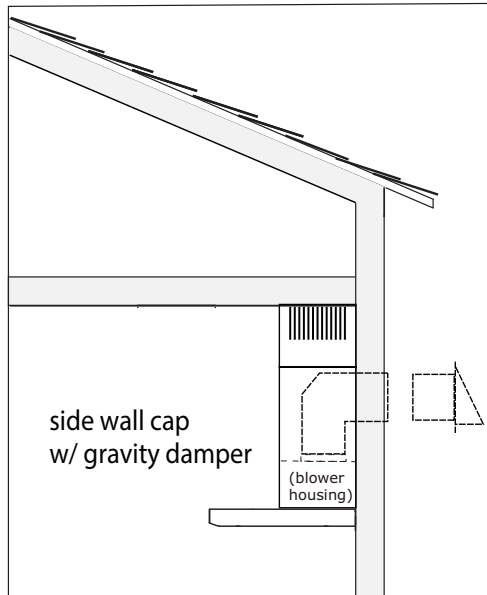
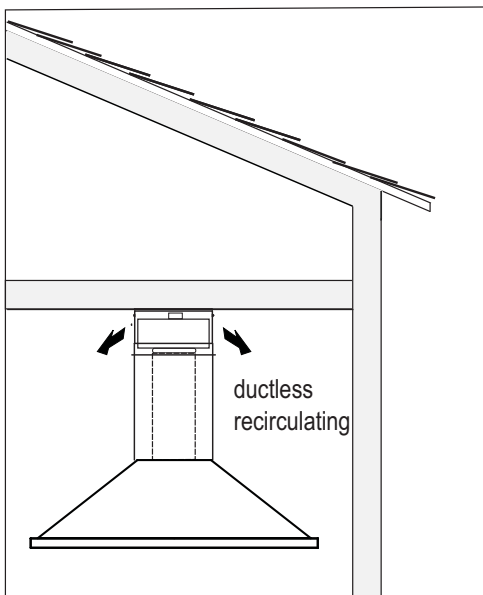
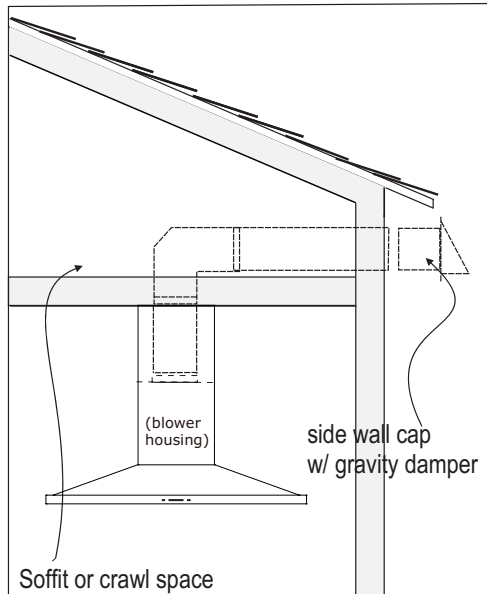
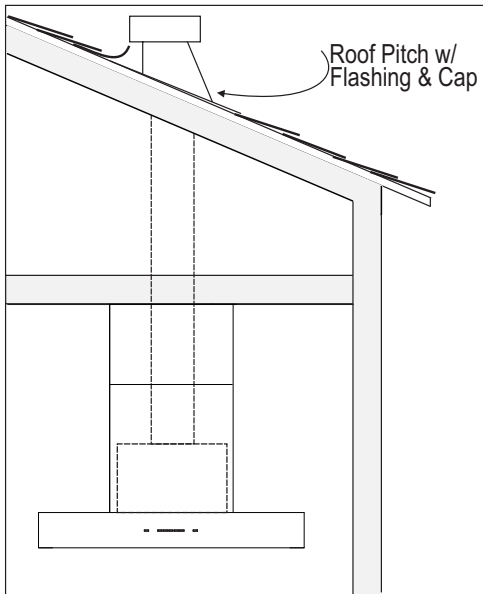
WARNING FIRE HAZARD

NEVER exhaust air or terminate duct work into spaces between walls, crawl spaces, ceiling, attics or garages. All exhaust must be ducted to the outside, unless using the recirculating option.

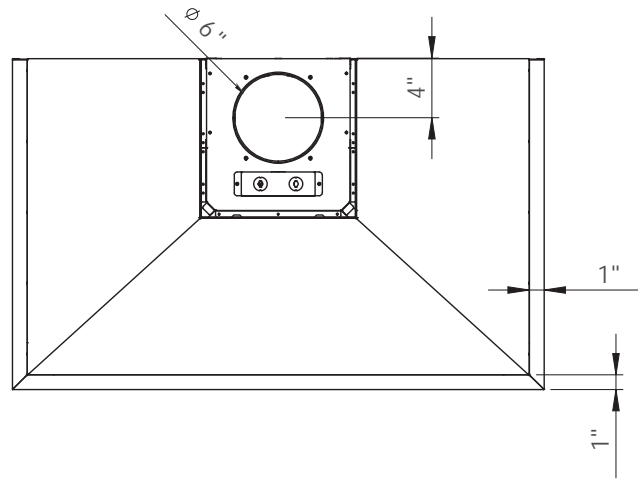
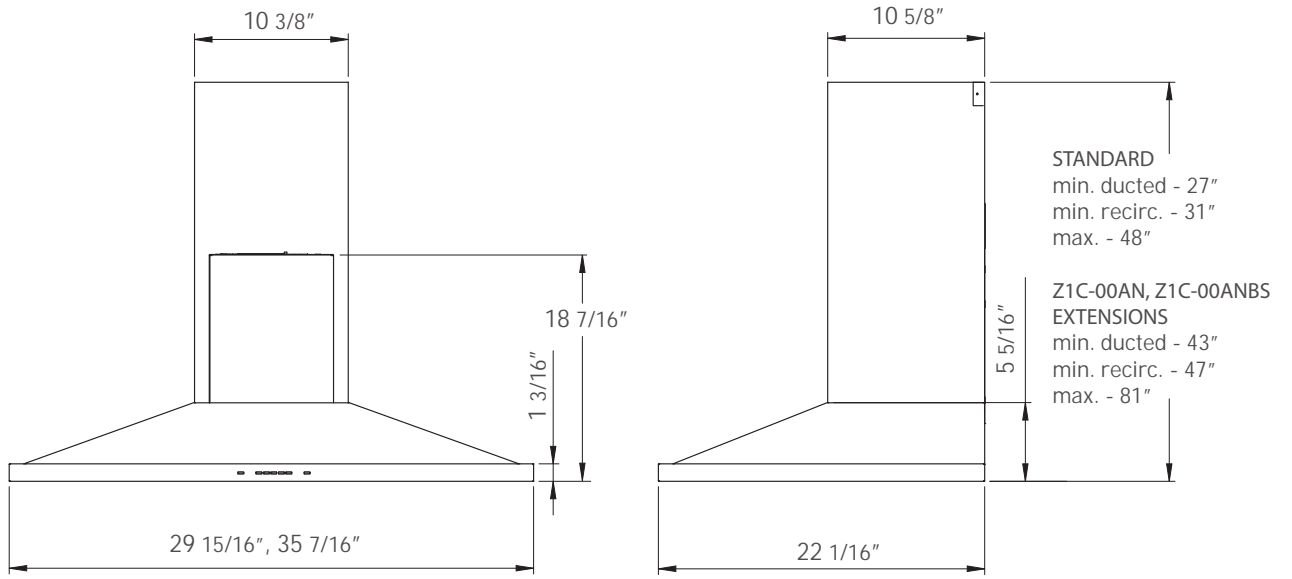
Use single wall rigid metal ductwork only.

Fasten all connections with sheet metal screws and tape all joints w/ certified Silver Tape or Duct Tape.

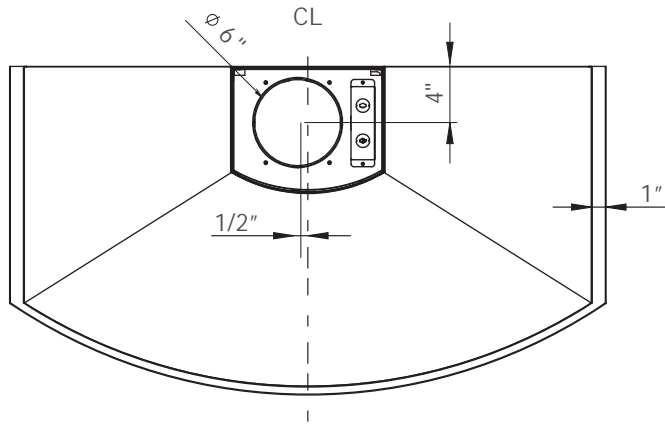
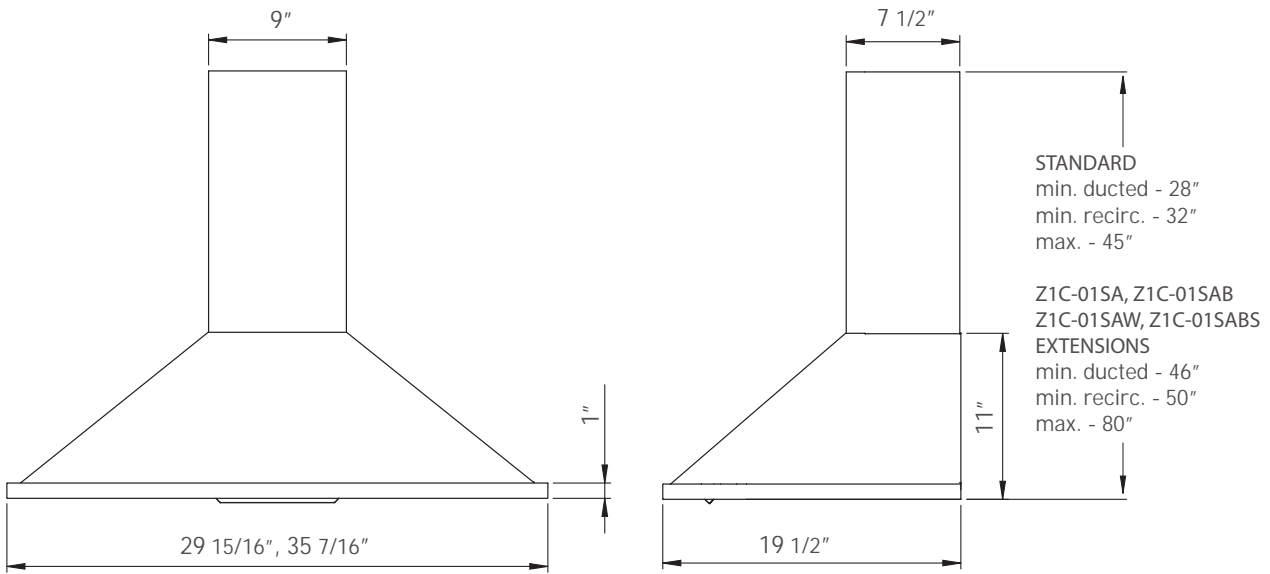
Some Ducting Options



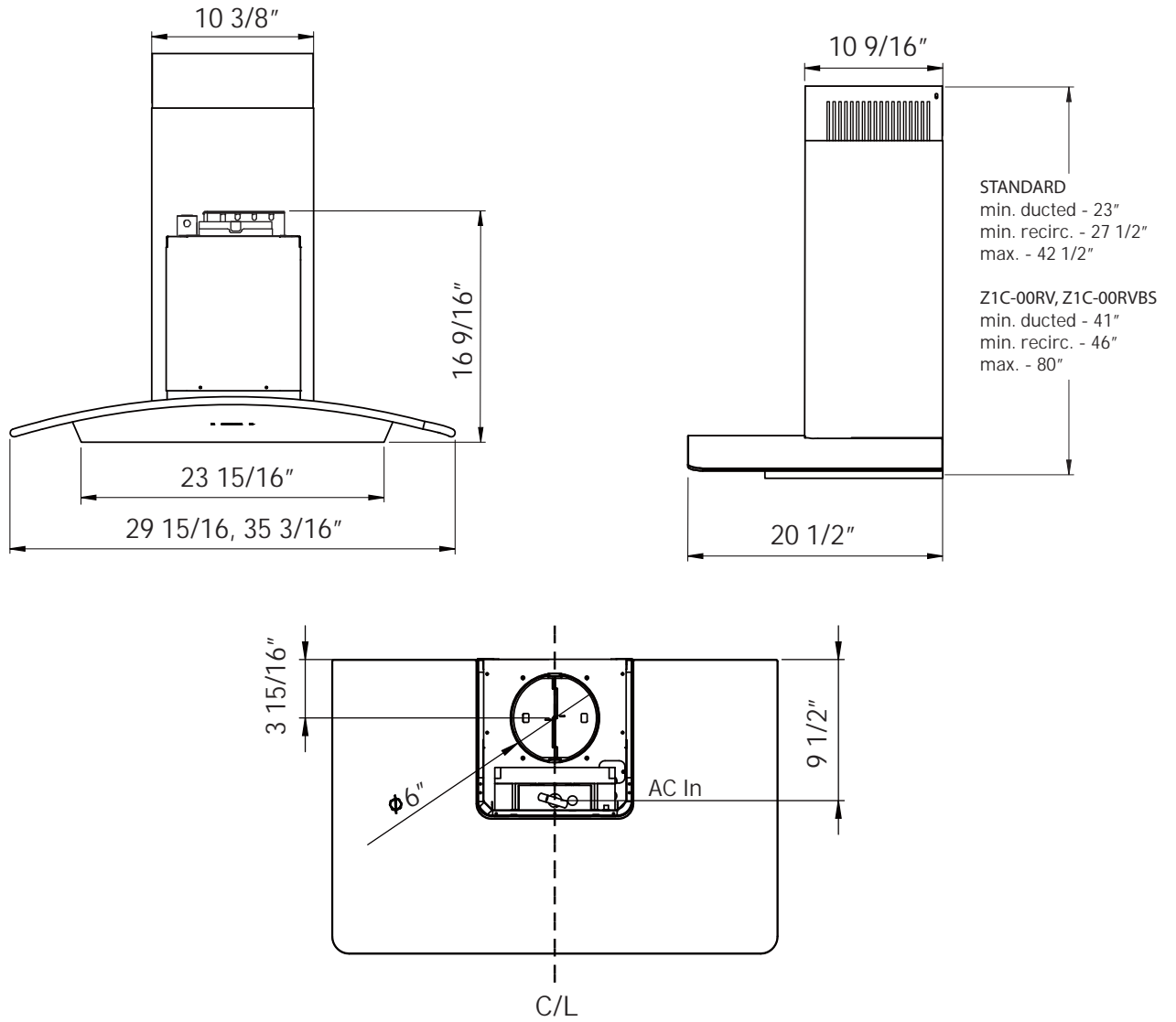
Installation – Hood Specification ZAN

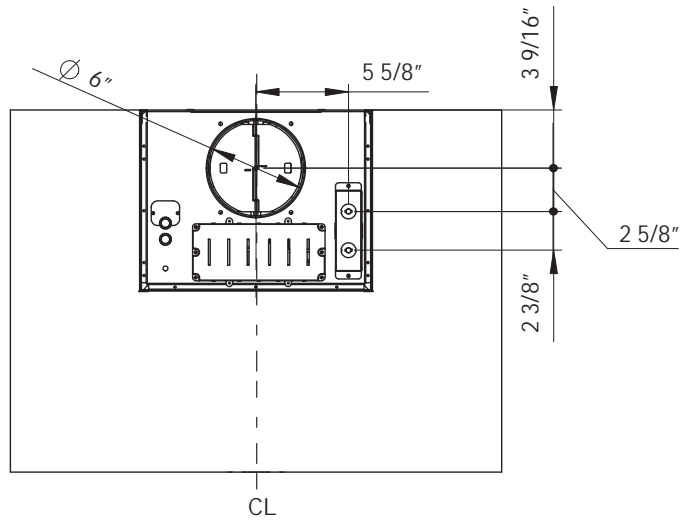
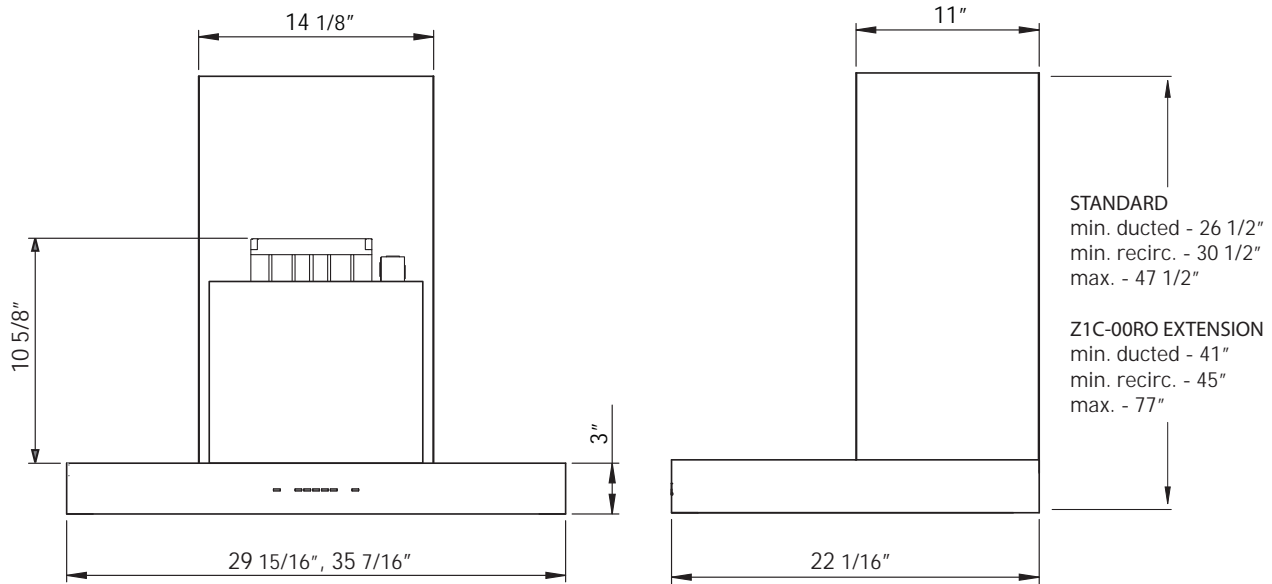


Installation – Hood Specification ZSA



Installation – Hood Specification ZRV





Installation – Hood Specification ZRO

Installation – Mounting the Hood

⚠ CAUTION: At least two installers are required due to the weight and size of the hood.

1. Measure from range top to hood bottom and mark line A. (26" minimum from range top)
2. Plum and mark center line.
3. Mark hood height line B.
ZAN : 18-7/16" from line A
ZSA : 9-1/2" from line A
ZRV : 15-7/8" from line A
ZRO : 12-3/16 from line A
4. Mark mounting spread from C/L.
ZAN : 8-7/8" on line B
ZSA : 9-7/8" on line B
ZRV : 8-15/16" on line B
ZRO : 12-5/8" on line B
5. Fasten (2) M6 x 1-1/2" screws into studs on line B but do not tighten all the way. **Note: Wood blocking may need to be added behind the drywall if no studs are present. Wall anchors may also be used but check local codes for compliance. Failure to use suitable wall anchors and screws to hold the weight of the hood could result in personal injury or damage to the cooking surface or counter.**
6. Remove the aluminum mesh filters.
7. Hang hood onto the mounting screws and hand tighten each screw. (Fig A)
8. Center and attach duct cover mounting bracket to wall just below the ceiling or soffit using (2) M6 x 1" screws.
9. Install electrical and duct work. Seal duct work with aluminum duct tape.
10. Power up hood and check for leaks around duct tape.
11. Place telescopic duct covers onto hood and extend inner (top) duct cover upwards and secure to duct cover bracket using (2) M4 x 8 screws. Reinstall mesh filters.

* If using hood in recirculating mode you must secure the air diverter plate onto wall before installing duct work and duct covers. You will also need to install charcoal filters and brackets. Turn to page 13 for more details.

⚠ WARNING: Electrical wiring must be done by a qualified person(s) in accordance with all applicable codes and standards. This range hood must be properly grounded. Turn off electrical power at service entrance before wiring.

Cable Lock

A cable locking connector (not supplied) might be required by local codes. Check with local requirements and codes, purchase and install appropriate connector if necessary.

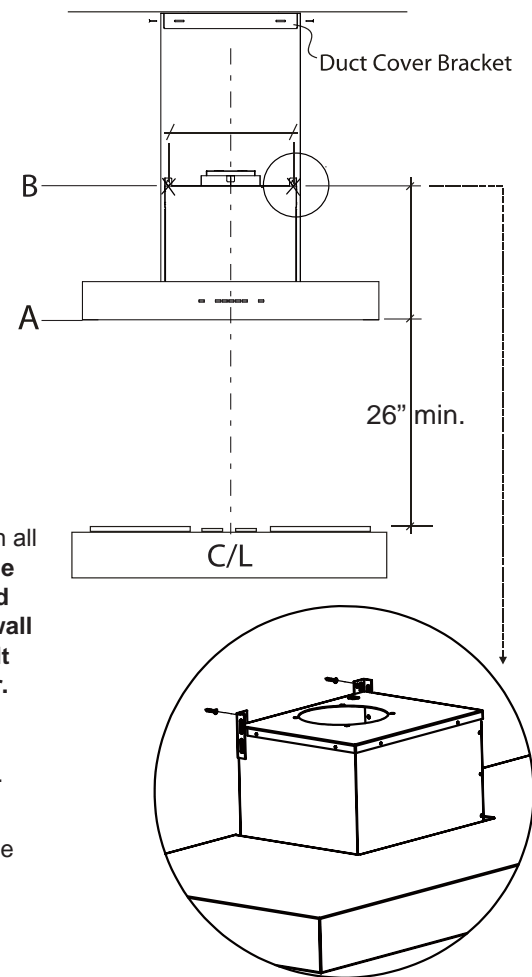
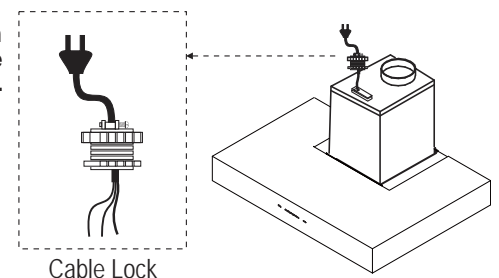


FIG. A



Ductless recirculation is intended for applications where an exhaust duct work is not possible to be installed. When converted, the hood functions as a recirculating hood rather than an exhaust hood. Fumes and exhaust from cooking are drawn and filtered by a set of optional charcoal filters. The air is then purified and re-circulated back within the home.

We recommend to ALWAYS exhaust air outside of the home by employing existing or installing new duct work, if possible. The hood is most effective and efficient as an exhaust hood. Only when the exhaust option is not possible should you recourse to converting the hood into a recirculating hood.

When converted to be a recirculating hood, a set of charcoal filters are required on top of its standard Metal Filter set. Order according to its part number below. The standard mesh filters are intended to capture residue from cooking and the optional charcoal filters help to purify fumes exhausted from cooking for recirculation.

RECIRCULATING KIT (REQUIRED IF NO DUCTING IS USED)

Kit includes charcoal filters, charcoal filter brackets and air diverter plate.

Hood Models	Part No.	Filters in pkg.
ZAN	ZRC-01AN	2
ZSA	ZRC-00SV	2
ZRV	ZRC-00RV	2
ZRO	ZRC-01RO	2

1. Purchase recirculating kit per the part number above
2. Secure air diverter plate to wall below duct cover bracket. Run 6" ducting from top of hood and secure to air diverter plate. (FIG. B)
3. ZAN: Remove aluminum mesh filters from hood. Secure charcoal filters to back side of aluminum mesh filter by 3 brackets. (FIG. B.2)
3. ZSA, ZRV, ZRO: Remove aluminum mesh filters from hood. Secure charcoal filter brackets to the hood body behind each mesh filters using the screws included in the recirculating kit. Clip charcoal filters onto each charcoal filter bracket. (FIG. B.1)
4. Re-Install mesh filters. **For more details refer to manual included with recirculating kit.**
5. Charcoal filters must be replaced after every 120 hours of use (or approximately every 3 to 4 months based on an average of 1 - 2 hrs. of daily cooking time).

Charcoal Filter Replacements

Hood Model	Part No.	Qty to Order
ZAN	Z0F-C091	2
ZSA / ZRV / ZRO	Z0F-C002	2

DO NOT WASH CHARCOAL FILTERS. Charcoal filters may need to be changed more often depending on cooking habits.

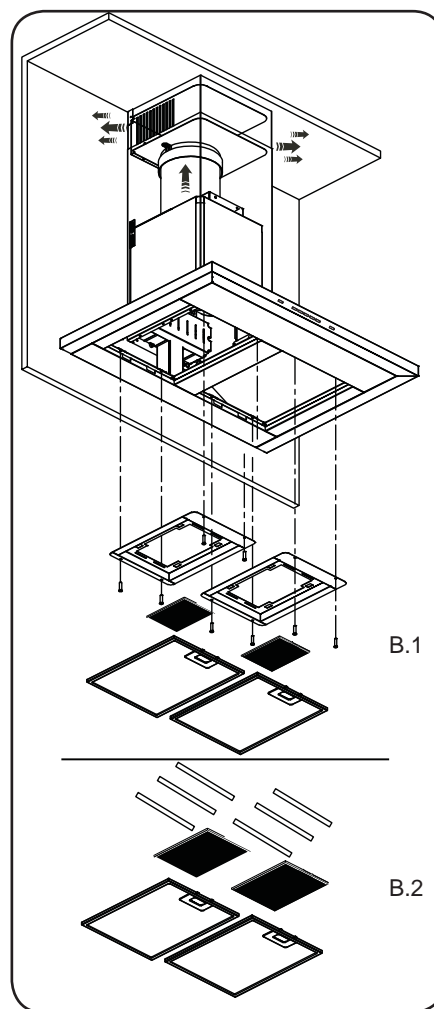
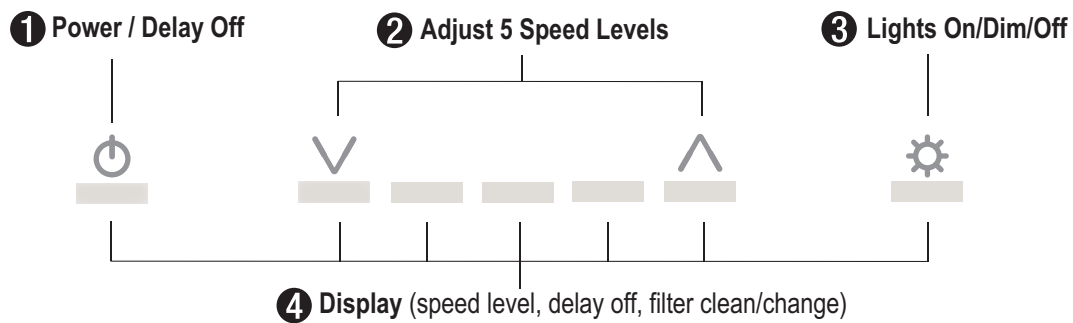

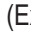



FIG. B








1 POWER / DELAY OFF BUTTON


Power Button Function

-  Button will turn power on and off for entire hood (fan and lights).
- Hood will remember the last speed and light level it was turned off at.
(Example: Press  Button to turn off hood when on fan speed 4 and high lights. Press  Button again and the hood will turn back on at speed 4 and high lights level.)

Delay Off Button Function

- With the fan on press and hold the  Button for two seconds. The fan will change to speed 1 and the 5 minute delay off timer will start.
 +   LEDs will illuminate and slowly blink in accordance with the time remaining until the fan and lights automatically turn off.
- Pressing  Button while Delay Off Function is enabled will turn the hood off and cancel the Delay Off Function.

ACT Verification

- Airflow Control Technology (ACT) allows the installer to set the maximum fan CFM to align with local codes and regulations.
 - To verify the maximum fan CFM:
 - With hood off, hold the  Button for two seconds. If all five fan speed indicators illuminate = default maximum CFM. If four fan speed indicators illuminate = 390 maximum CFM. If 3 fan speed indicators illuminate = 290 maximum CFM.

2 SPEED SELECTION BUTTON

Fan Speed Decrease Button

- Press this button to decrease fan speed. 5, 4, 3, 2, 1.
- If fan is On Speed 1 and this button is pressed, fan will power Off.

Fan Speed Increase Button

- Press this button to increase fan speed. Fan On, 1, 2, 3, 4, 5.
- If hood is Off and this button is pressed, fan will turn On Speed 1.

Act Enabled Speed Selections



- When ACT is enabled, the number of fan speeds will be reduced as follows:
 - 390 CFM = Maximum 4 speeds
 - 290 CFM = Maximum 3 speeds

3 LIGHTS BUTTON







- Lights are two levels, High and Low.
- From off, press one time for High. Press again for Low. Press again to power lights off.

4 DISPLAY INDICATORS

Mesh Filter Clean Reminder *(always enabled)*

- After 30 hours of fan usage, the  button indicator will begin to slowly blink indicating it is time to clean the mesh filters.
- **To reset:** With hood off: hold the  button for three seconds. All LED indicators will blink two times confirming the 30 hour timer has been reset.

Charcoal Filter Replace Indicator *(disabled by default, must be enabled if recirculating hood)*

- To enable Charcoal Filter Replacement Reminder:
 - With hood off, hold  button and  button simultaneously for two seconds. All LED indicators will illuminate for three seconds confirming the Charcoal Filter Replace Reminder is enabled.
- To disable Charcoal Filter Replacement Reminder:
 - With hood off, hold  button and  button simultaneously for two seconds. All LED indicators will blink two times confirming the Charcoal Filter Replace Reminder is disabled.
- After 120 hours of fan usage the  button will slowly blink indicating the charcoal filters need replacement.
- **To reset:** With hood off, hold the  button for two seconds. All LED indicators will blink two times confirming the 120 hour timer has been reset.

SURFACE MAINTENANCE:

Do not use corrosive detergents, abrasive detergents or oven cleaners.
Do not use any product containing chlorine bleach or any product containing chloride.
Do not use steel wool or abrasive scrubbing pads which will scratch and damage surface.

Cleaning Stainless Steel

Clean periodically with warm soapy water and clean cotton cloth or micro fiber cloth. Always rub in the direction of the stainless steel grain. To remove heavier grease build up use a liquid degreaser detergent.

After cleaning use a non-abrasive stainless steel polish/cleaners, to polish and buff out the stainless luster and grain. Always scrub lightly, with clean cotton cloth or micro fiber cloth and buff in the direction of the stainless steel grain.

Cleaning Black Stainless Steel

Clean periodically with warm soapy water and clean cotton cloth or micro fiber cloth. To remove heavier grease build up use a liquid degreaser detergent.

Due to a built-in layer of protective anti-smudge coating, do not use stainless steel polish/cleaners to buff out black stainless steel.

Aluminum Mesh Filters

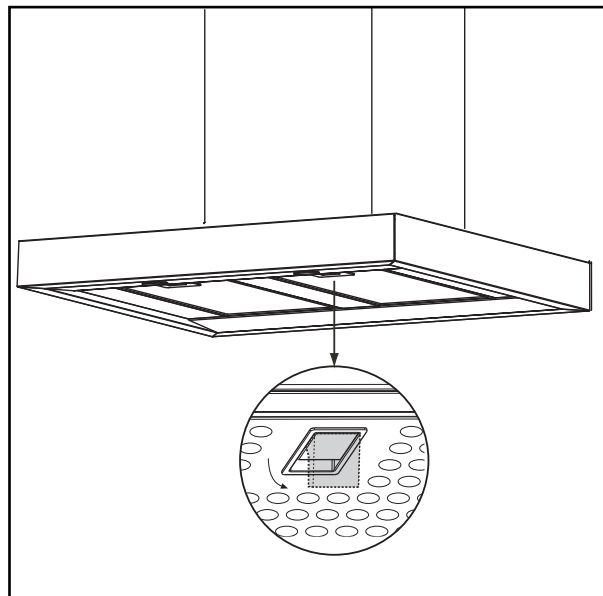
The aluminum mesh filters installed by the factory are intended to filter out residue and grease from cooking. They need not be replaced on a regular basis but are required to be kept clean.

Remove and clean by hand or in dishwasher on low heat. Spray degreasing detergent and leave to soak if heavily soiled.

Dry filters and re-install before using hood.

Removing Aluminum Mesh Filters

1. Pull down on filter latch to release filter tabs
2. Pull down on front of filter to remove



Airflow Control Technology (ACT)

Some local codes limit the maximum amount of CFM a range hood can move. ACT allows you to control the maximum blower CFM of select Zephyr Ventilation range hoods without the need for expensive make up air kits. ACT enables the installer to easily set the maximum blower speed to one of two most commonly specified CFM levels; 390 or 290 CFM. The usage of ACT may not be necessary for your installation. Please check your local codes for CFM restrictions.

By default the maximum blower CFM is set to 600 for ZAN, ZRV and ZRO.

By default the maximum blower CFM is set to 685 for ZSA.



CAUTION:

Hood must be disconnected from main power prior to performing the conversion instructions listed below. Failure to do so could result in personal injury or damage to the product.

To enable ACT

1. Before hood installation, gain access to PC board by following the steps shown in FIG. C.
2. Change plastic jumper positioning as shown in FIG. D to set the desired maximum blower CFM.
3. Re-install PC board & continue with hood installation.
4. Remove the appropriate foil CFM sticker included with the hood literature and place inside the hood body below the wiring diagram or in another clearly visible location.

NOTE: After re-positioning the jumper and powering on the hood, the CFM cannot be changed again.

To verify if your installer enabled ACT

With hood off, press and hold the power button for three seconds. If 5 LEDs illuminate = default max. CFM, if 4 LEDs illuminate = max. 390 CFM, and if 3 LEDs illuminate = max. 290 CFM.

When ACT is enabled, the number of blower speeds will be reduced. 390 CFM = max. 4 speeds and 290 CFM = max. 3 speeds.

There should also be a foil label located inside the hood body near the wiring diagram that indicates the blower CFM.

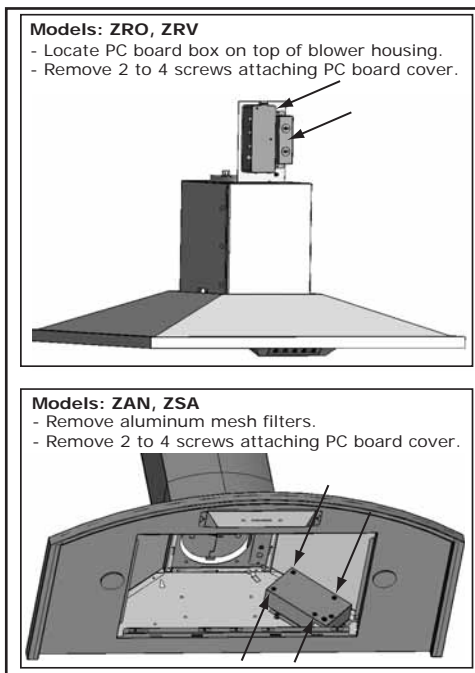


FIG. C

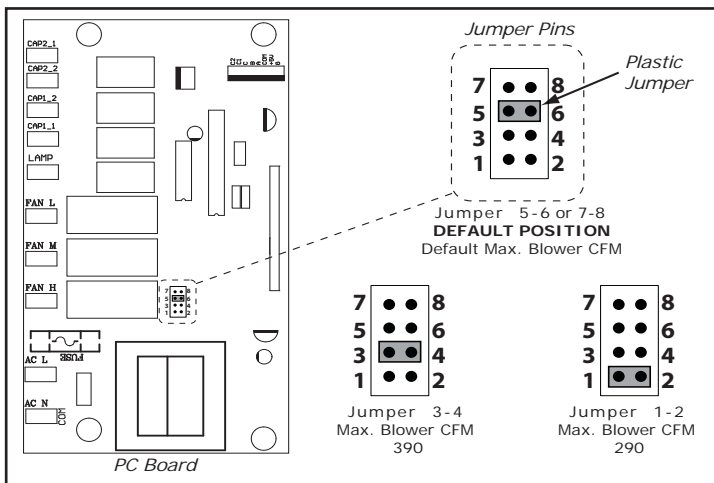
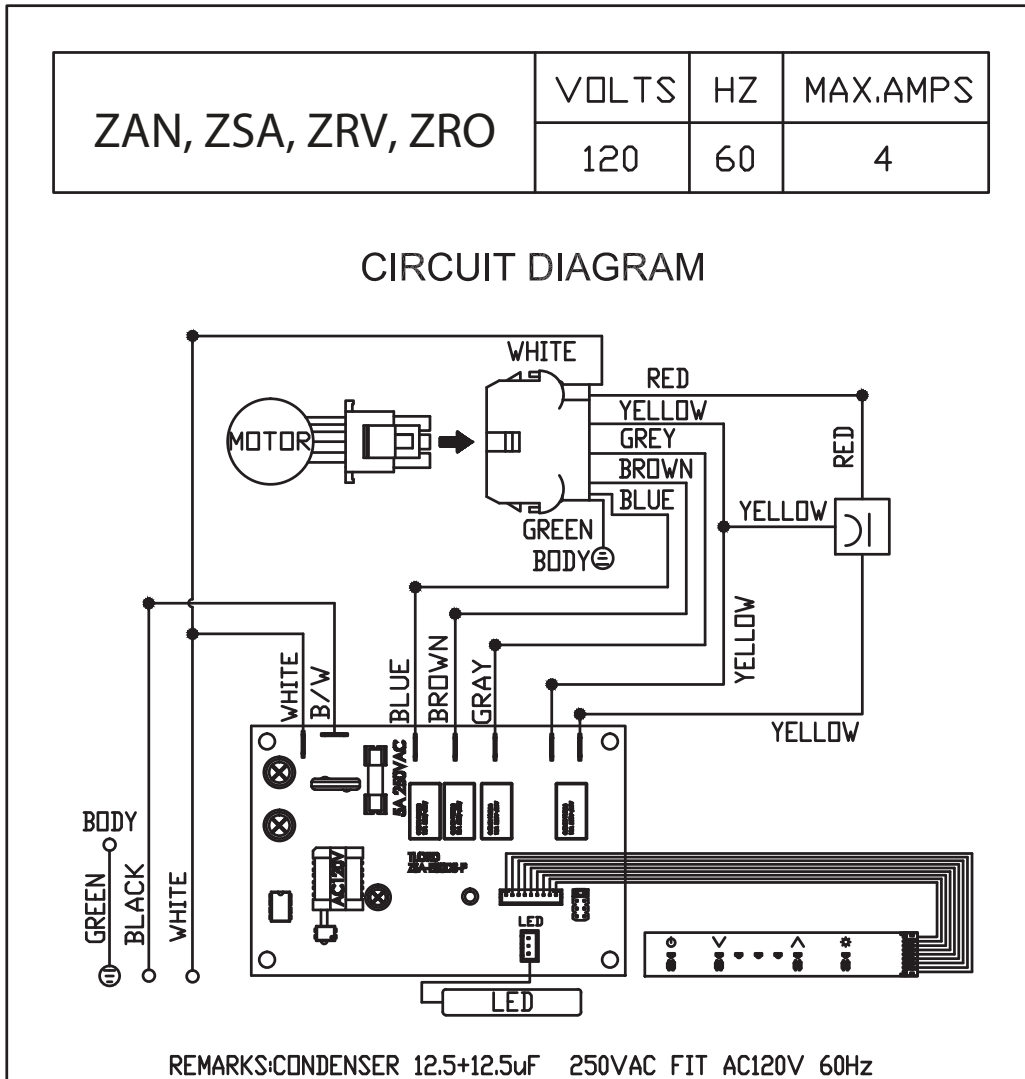


FIG. D

Wiring Diagrams

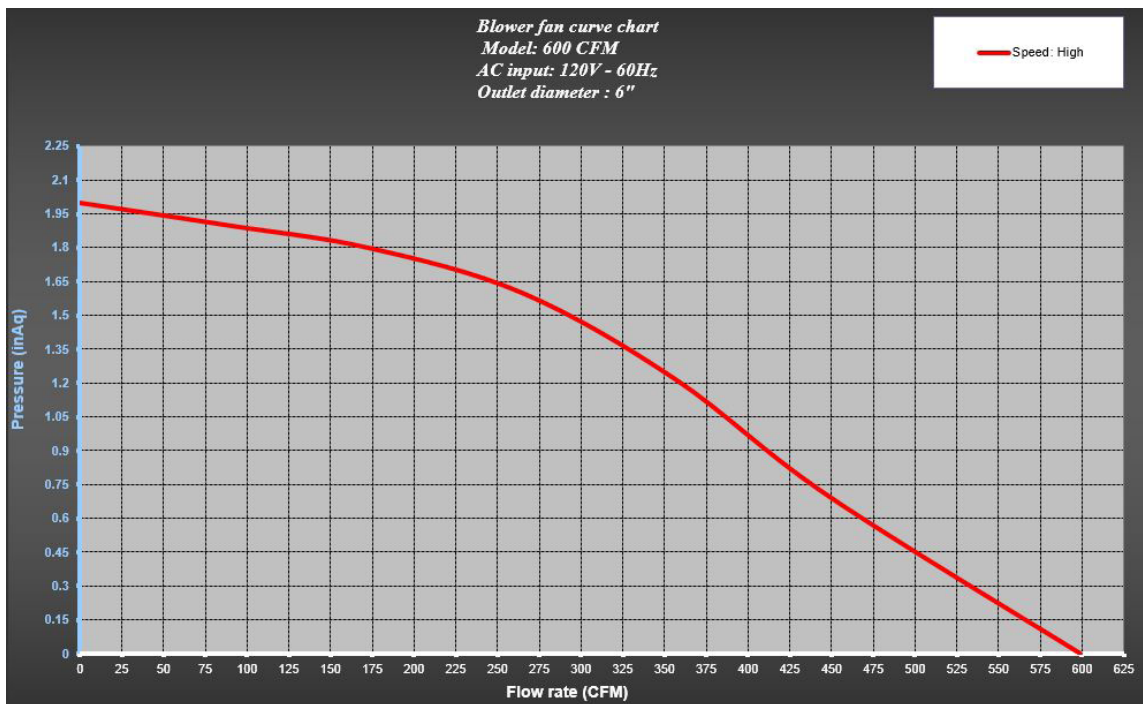


Power consumption shown for default CFM blower configuration

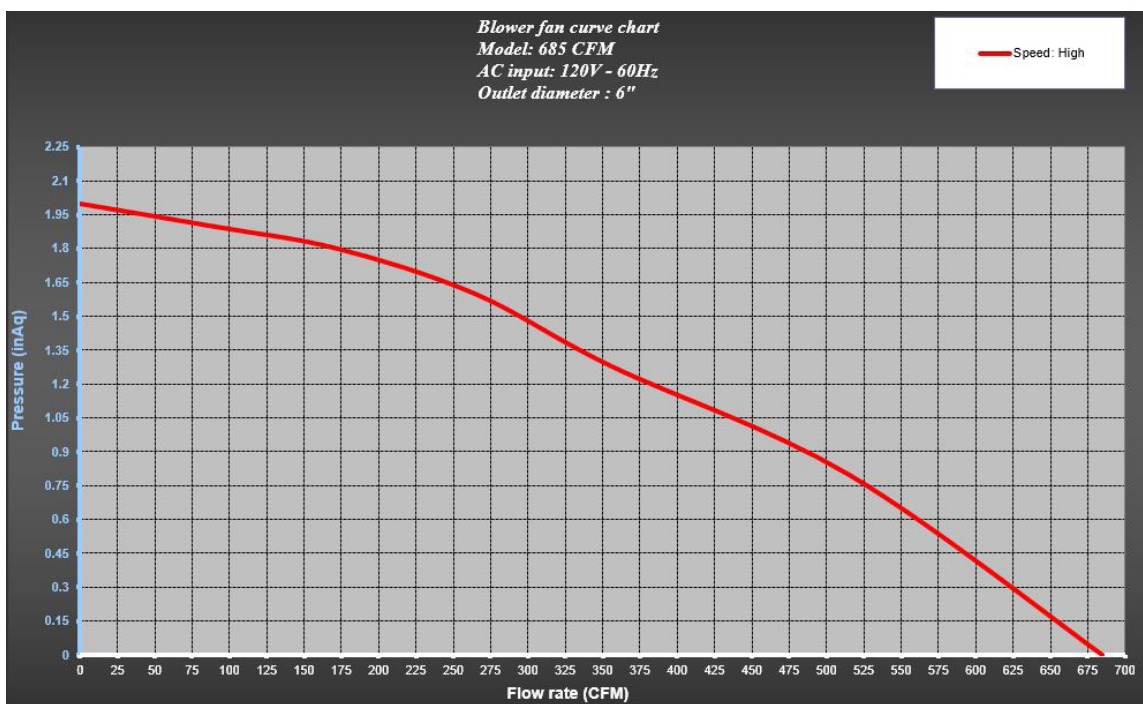
ACT 390 CFM - Fan Max. @ 2.3A

ACT 290 CFM - Fan Max. @ 1.9A

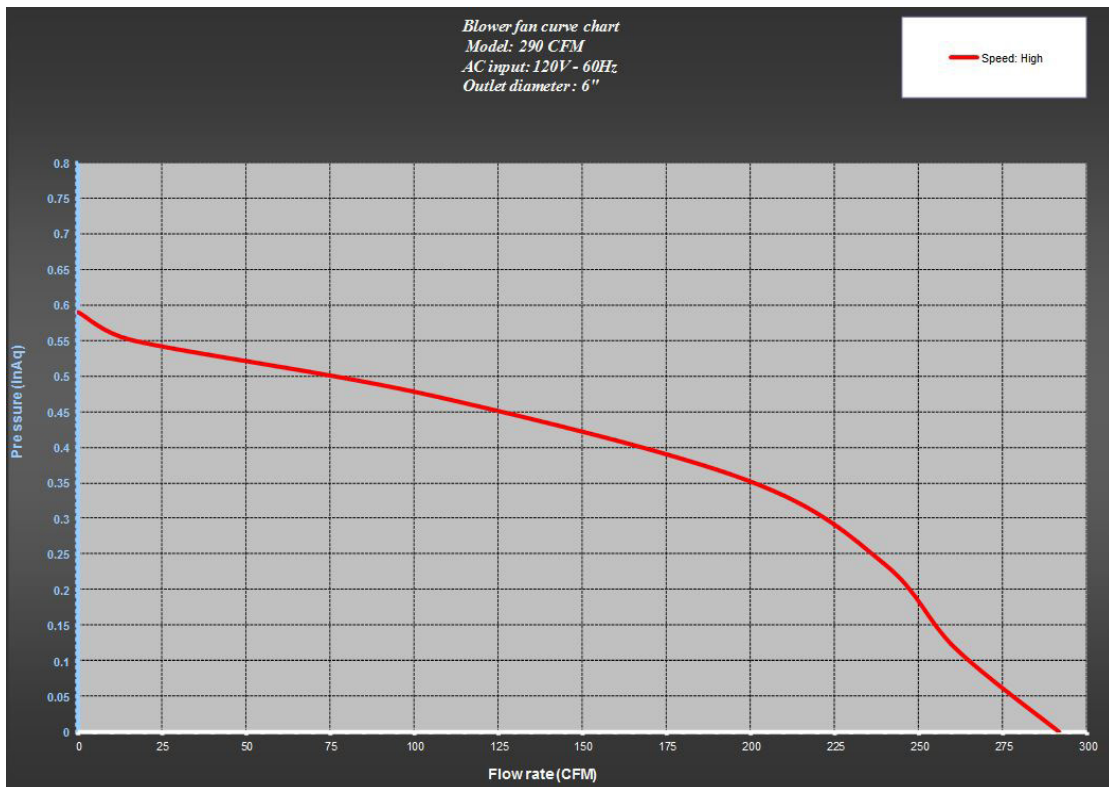
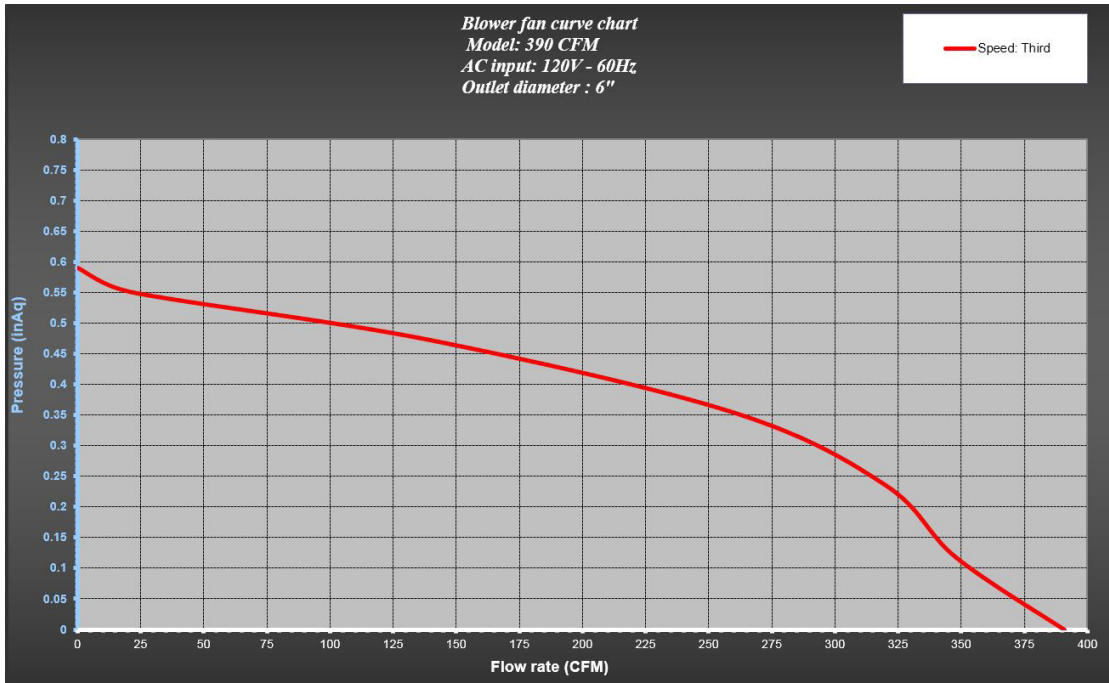
ZAN, ZRV, ZRO



ZSA



Fan Curve Diagrams



TROUBLESHOOTING PROCEDURES

Issue	Cause	What to do
After installation, the unit doesn't work.	1. The power source is not turned ON.	1. Make sure the circuit breaker and the unit's power is ON.
	2. The power line and the cable locking connector is not connecting properly.	2. Check the power connection with the unit is connected properly.
	3. The switch board or control board wirings are disconnected.	3. Make sure the wirings at the switch board and control board are connected properly.
	4. The switch board or control board is defective.	4. Change the switch board or control board.
Light works, but blower is not turning.	1. The blower cable is disconnected.	1. Connect the blower cable.
	2. Debris or obstruction in motor.	2. Remove the debris or obstruction.
	3. Motor defective or possibly seized.	3. Change the blower.
	4. Damaged capacitor.	4. Change the capacitor.
	5. The switch board or control board is defective.	5. Change defective part.
The unit is vibrating.	1. The blower is not secured in place.	1. Tighten the blower in place.
	2. Damaged blower wheel.	2. Replace the blower.
	3. The hood is not secured in place.	3. Check the installation of the hood.
The blower is working, but the lights are not.	1. The LED light strip connector is disconnected.	1. Connect the LED light strip connector.
	2. Defective LED light strip.	2. Change the LED light strip.
	3. The switch board or control board is defective.	3. Change the switch board or control board.
The unit turns on by itself.	1. A spot light or kitchen lamp is shining directly onto the switch controls.	1. The switch controls are light sensitive. A direct light source onto the switch controls may disrupt switch functions.
The hood is not venting out properly.	1. Using the wrong size of ducting.	1. Change the ducting to at least 6" round or higher.
	2. Using the wrong type of ducting. Flexible ducting can reduce air flow by up to 50%.	2. Change the ducting to solid rigid metal ducting.
	3. The hood might be hanging too high from the cook top.	3. Adjust the distance between the cook top and the bottom of the hood within 26" and 34" range.
	4. The wind from the opened windows or opened doors in the surrounding area are affecting the ventilation of the hood.	4. Close all the windows and doors to eliminate the outside wind flow.
	5. Blockage in the duct opening or ductwork.	5. Remove all the blocking from the duct work or duct opening.

List of Parts & Accessories

DESCRIPTION	PART#
Replacement Parts	
ZAN Replacement Charcoal Filter	Z0F-C091
ZSA, ZRV, ZRO Replacement Charcoal Filter	Z0F-C002
ZAN Aluminum Mesh Filter (each)	50200059
ZSA Aluminum Mesh Filter (each)	50200011
ZRV Aluminum Mesh Filter (each)	50200044
ZRO Aluminum Mesh Filter (each)	50200053
ZAN Optional Accessories	
ZAN Recirculating Kit	ZRC-01AN
ZAN SS Extension Duct Cover	Z1C-00AN
ZAN BLK SS Extension Duct Cover	Z1C-00ANBS
ZSA Optional Accessories	
ZSA Recirculating Kit	ZRC-00SV
ZSA SS Extension Duct Cover	Z1C-01SA
ZSA BLK Extension Duct Cover	Z1C-01SAB
ZSA WHT Extension Duct Cover	Z1C-01SAW
ZSA BLK SS Extension Duct Cover	Z1C-01SABS
ZRV Optional Accessories	
ZRV Recirculating Kit	ZRC-00RV
ZRV SS Extension Duct Cover	Z1C-00RV
ZRV BLK SS Extension Duct Cover	Z1C-00RVBS
ZRO Optional Accessories	
ZRO Recirculating Kit	ZRC-00RO
ZRO SS Extension Duct Cover	Z1C-00RO

To order parts, visit us online at <http://store.zephyronline.com> or call us at 1.888.880.8368

ZEPHYR
Limited Warranty

STAPLE YOUR RECEIPT HERE
Proof of the original purchase
date is needed to obtain
service under warranty

**TO OBTAIN SERVICE UNDER WARRANTY OR FOR ANY SERVICE RELATED QUESTIONS, please call:
1-888-880-8368**

Zephyr Ventilation, LLC (referred to herein as "we" or "us") warrants to the original consumer purchaser (referred to herein as "you" or "your") of Zephyr products (the "Products") that such Products will be free from defects in materials or workmanship as follows:

Three Year Limited Warranty for Parts: For three years from the date of your original purchase of the Products, we will provide, free of charge, Products or parts (including LED light bulbs, if applicable) to replace those that failed due to manufacturing defects. We may choose, in our sole discretion, to repair or replace parts before we elect to replace the Products.

One Year Limited Warranty for Labor: For one year from the date of your original purchase of the Products, we will provide, free of charge, the labor cost associated with repairing the Products or parts to replace those that failed due to manufacturing defects. After the first year from the date of your original purchase, you are responsible for all labor costs associated with this warranty.

Warranty Exclusions: This warranty covers only repair or replacement, at our option, of defective Products or parts and does not cover any other costs related to the Products including but not limited to: (a) normal maintenance and service required for the Products and consumable parts such as fluorescent, incandescent or halogen light bulbs, mesh and charcoal filters and fuses; (b) any Products or parts which have been subject to freight damage, misuse, negligence, accident, faulty installation or installation contrary to recommended installation instructions, improper maintenance or repair (other than by us); (c) commercial use of the Products or use otherwise inconsistent with its intended purpose; (d) natural wear of the finish of the Products or wear caused by improper maintenance, use of corrosive and abrasive cleaning products, pads, and oven cleaner products; (e) chips, dents or cracks caused by abuse or misuse of the Products; (f) service trips to your home to teach you how to use the Products; (g) damage to the Products caused by accident, fire, floods, acts of God; or (h) Custom installations or alterations that impact serviceability of the Products. If you are outside our service area, additional charges may apply for shipping costs for warranty repair at our designated service locations and for the travel cost to have a service technician come to your home to repair, remove or reinstall the Products. After the first year from the date of your original purchase, you are also responsible for all labor costs associated with this warranty.

Limitations of Warranty. OUR OBLIGATION TO REPAIR OR REPLACE, AT OUR OPTION, SHALL BE YOUR SOLE AND EXCLUSIVE REMEDY UNDER THIS WARRANTY. WE SHALL NOT BE LIABLE FOR INCIDENTAL, CONSEQUENTIAL OR SPECIAL DAMAGES ARISING OUT OF OR IN CONNECTION WITH THE USE OR PERFORMANCE OF THE PRODUCTS. THE EXPRESS WARRANTIES IN THE PRECEDING SECTION ARE EXCLUSIVE AND IN LIEU OF ALL OTHER EXPRESS WARRANTIES. WE HEREBY DISCLAIM AND EXCLUDE ALL OTHER EXPRESS WARRANTIES FOR THE PRODUCTS, AND DISCLAIM AND EXCLUDE ALL WARRANTIES IMPLIED BY LAW, INCLUDING THOSE OF MERCHANTABILITY AND FITNESS FOR A PARTICULAR PURPOSE. Some states or provinces do not allow limitations on the duration of an implied warranty or the exclusion or limitation of incidental or consequential damages, so the above limitations or exclusions may not apply to you. To the extent that applicable law prohibits the exclusion of implied warranties, the duration of any applicable implied warranty is limited to the same two-year period described above. Any oral or written description of the Products is for the sole purpose of identifying the Products and shall not be construed as an express warranty. Prior to using, implementing or permitting use of the Products, you shall determine the suitability of the Products for the intended use, and you shall assume all risk and liability whatsoever in connection with such determination. We reserve the right to use functionally equivalent refurbished or reconditioned parts or Products as warranty replacements or as part of warranty service. This warranty is not transferable from the original purchaser and applies in the United States and Canada.

To Obtain Service Under Limited Warranty: To qualify for warranty service, you must: (a) notify us at the address or telephone number stated below within 60 days of the discovery of the defect; (b) give the model number and part identification number and serial number; and (c) describe the nature of any defect in the Product or part. At the time of the request for warranty service, you must present evidence of your proof of purchase and proof of the original purchase date. If we determine that the warranty exclusions listed above apply or if you fail to provide the necessary documentation to obtain service, you will be responsible for all shipping, travel, labor and other costs related to the services.

Please check our website for any revisions, www.zephyronline.com.

Zephyr Ventilation Service Department, 2277 Harbor Bay Parkway, Alameda, CA 94502 1-888-880-8368

AUG14.0401

PRODUCT REGISTRATION

Congratulations on your Zephyr range hood purchase! Please take a moment to register your new range hood at www.zephyronline.com/registration

IT'S IMPORTANT

Prompt registration helps in more ways than one.

- Ensures warranty coverage should you need service.
- Ownership verification for insurance purposes.
- Notification of product changes or recalls.

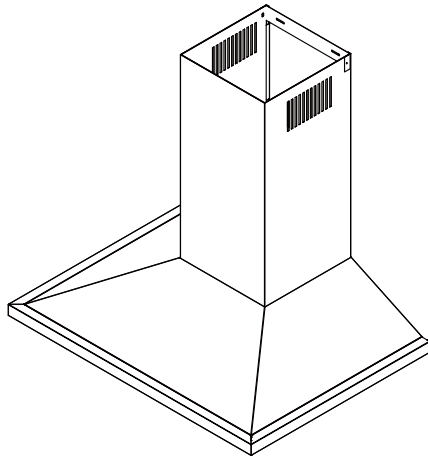


Zephyr Ventilation | 2277 Harbor Bay Pkwy. | Alameda, CA 94502 | 1.888.880.8368

Guide d'utilisation, d'entretien et d'installation

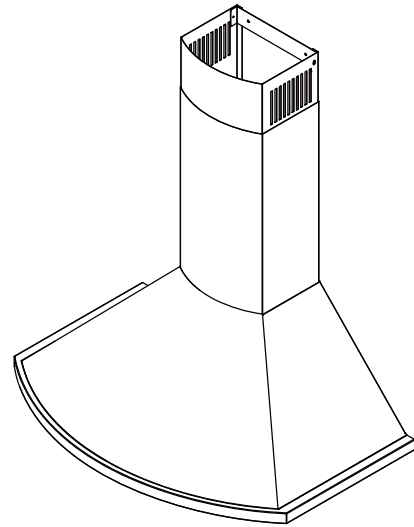
ZAN-E30CS
ZAN-M90CS

ZAN-E30CBS
ZAN-M90CBS



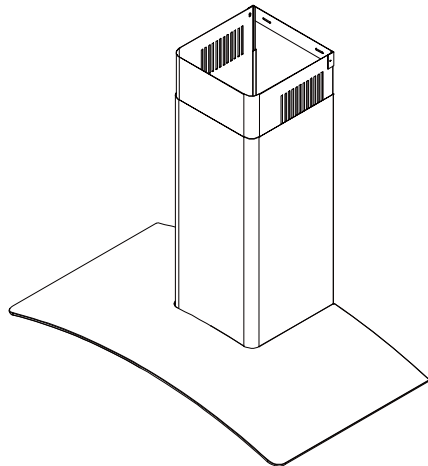
ZSA-E30DB
ZSA-E30DS
ZSA-M90DB
ZSA-M90DS

ZSA-E30DW
ZSA-E30DBS
ZSA-M90DW
ZSA-M90DBS

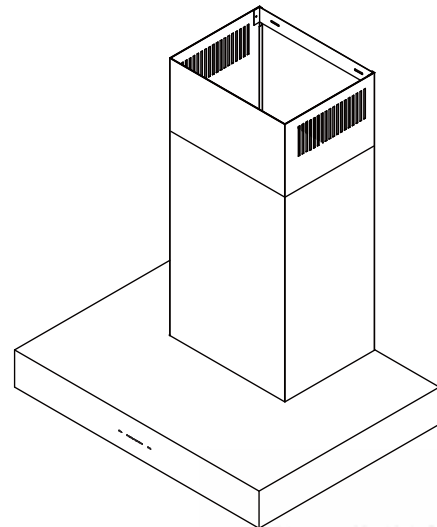


ZRV-E30BGC
ZRV-E30BGG
ZRV-E30BBSGG

ZRV-M90BGC
ZRV-M90BGG
ZRV-M90BBSGG



ZRO-E30DS
ZRO-M90DS



Numéro de modèle : _____

Numéro de série : _____

FEB17.0201 © Zephyr Ventilation LLC.



MISE EN GARDE DE SÉCURITÉ	2-3
LISTE DU MATÉRIEL	4
INSTALLATION	
Feuille de calcul pour le conduit.....	5
Espace libre et hauteur de montage.....	6
Options d'installation pour le conduit.....	7
Spécifications de la hotte.....	8 - 11
Montage de la hotte.....	12
Reprise d'air sans conduit.....	13
COMMANDES	
ICON Commandes électroniques.....	14 - 15
ENTRETIEN	
Nettoyage des filtres et de la hotte.....	16
CONVERSION DE LA ACT	17
SCHÉMA DE CÂBLAGE	18
DIAGRAMMES DES COURBES VENTILATEURS	19 - 20
DÉPANNAGE	21
LISTES DES ACCESSOIRES ET DES PIÈCES	22
GARANTIE	23
ENREGISTREMENT DU PRODUIT	24

AVERTISSEMENT

POUR RÉDUIRE LES RISQUES D'INCENDIE OU DE DÉCHARGE ÉLECTRIQUE, N'UTILISEZ PAS CET APPAREIL AVEC UN TABLEAU DE COMMANDE À SEMI-CONDUCTEURS.

AVERTISSEMENT

POUR RÉDUIRE LES RISQUES D'INCENDIE, DE DÉCHARGE ÉLECTRIQUE OU DE BLESSURE, RESPECTEZ CES CONSIGNES :

- a. N'utilisez cet appareil que de la manière prévue par le fabricant. Si vous avez des questions, communiquez avec le fabricant.
- b. Avant de procéder au nettoyage ou à l'entretien de l'appareil, éteignez l'alimentation du panneau électrique et bloquez le dispositif de déconnexion pour éviter que l'alimentation électrique ne soit accidentellement rallumée. Si le dispositif de sectionnement d'électricité ne peut être bloqué, attachez un avertissement (comme une étiquette) bien en vue sur le tableau électrique.

ATTENTION

Pour ventilation générale seulement. N'utilisez pas cet appareil pour évacuer des vapeurs et des matériaux explosifs ou dangereux. Prenez garde lors de l'utilisation d'agents nettoyants ou de détergents. Ne devrait être utilisé que dans la cuisine de votre maison.

AVERTISSEMENT

POUR RÉDUIRE LES RISQUES DE FEU DE GRAISSE SUR LA SURFACE DE CUISSON :

- a. Ne laissez jamais l'appareil sans surveillance lors de son utilisation à haute température. Les débordements par bouillonnement causent de la fumée et des déversements de graisse qui peuvent prendre feu. Faites chauffer l'huile à des températures basses ou moyennes.
- b. Allumez toujours la hotte lorsque vous cuisinez à haute température ou que vous faites flamber des aliments.
- c. Nettoyez fréquemment les ventilateurs de la hotte. La graisse ne devrait jamais s'accumuler dans les ventilateurs ou les filtres.
- d. Utilisez des poêlons aux dimensions adéquates. Utilisez toujours une batterie de cuisine correspondant aux dimensions de l'élément.
- e. Assurez-vous que le ventilateur, les filtres et les surfaces où la graisse pourrait s'accumuler sont toujours propres.
- f. Utilisez le réglage haut de la hotte seulement lorsque nécessaire.
- g. Ne laissez pas la hotte sans surveillance lorsque vous cuisinez.
- h. Utilisez toujours une batterie de cuisine et des ustensiles convenant au type et à la quantité de nourriture que vous préparez.

AVERTISSEMENT

POUR RÉDUIRE LES RISQUES DE BLESSURE LORS D'UN INCENDIE SUR LA SURFACE DE CUISSON :

- a. **ÉTOUFFEZ LES FLAMMES** avec un couvercle, une plaque à biscuits ou un plateau de métal et éteignez ensuite le brûleur. **PRENEZ GARDE AUX RISQUES DE BRÛLURE.** Si les flammes ne disparaissent pas, **ÉVACUEZ LES LIEUX ET APPELEZ LE SERVICE D'INCENDIE.**
- b. **NE PRENEZ JAMAIS UN POÊLON EN FEU** – Vous pourriez vous brûler.
- c. **N'UTILISEZ PAS D'EAU**, ou un linge à vaisselle mouillé – une violente explosion de vapeur s'ensuivra.
- d. Utilisez un extincteur **SEULEMENT** si :
 1. Vous savez que vous possédez un extincteur de classe ABC et vous savez vous en servir.
 2. Le feu est faible et ne s'est pas répandu depuis son point d'origine.
 3. Vous avez appelé le service d'incendie.
 4. Vous pouvez sortir facilement de l'endroit où vous combattez le feu.

AVERTISSEMENT

POUR RÉDUIRE LES RISQUES D'INCENDIE, DE DÉCHARGE ÉLECTRIQUE OU DE BLESSURE, SUIVEZ LES CONSIGNES SUIVANTES :

- a. Les travaux d'installation et de câblage électrique doivent être faits par une personne qualifiée selon les stipulations de tous les normes et standards en vigueur, dont les normes des constructions ayant une cote de résistance au feu.
- b. Pour prévenir les contre-explosions, une certaine quantité d'air est nécessaire pour la combustion et l'évacuation des gaz par le carneau (cheminée) de l'appareil de combustion. Respectez les directives du fabricant d'outillage de chauffage et les normes de sécurité comme celles publiées par la NFPA (Association nationale des services d'incendie), par la Société américaine des ingénieurs en chauffage, réfrigération et climatisation (ASHRAE) et par les normes des autorités locales.
- c. Lorsque vous coupez ou percez un mur ou un plafond, assurez-vous de ne pas endommager le câblage électrique ou toute autre installation technique dissimulée.
- d. Les ventilateurs canalisés doivent toujours évacuer l'air à l'extérieur.
- e. N'installez **JAMAIS** un interrupteur à une distance atteignable depuis un bain ou une douche.
- f. Assurez-vous que l'alimentation électrique est éteinte avant de procéder à l'installation, au câblage ou à l'entretien de l'appareil.

ATTENTION

POUR RÉDUIRE LES RISQUES D'INCENDIE, N'UTILISEZ QUE DES CONDUITS D'AÉRATION EN MÉTAL.

ATTENTION

Pour réduire les risques d'incendie et pour évacuer l'air convenablement, assurez-vous de canaliser l'air à l'extérieur de la maison. N'installez pas l'échappement du conduit dans les espaces entre les murs, le plafond, le grenier, les vides sanitaires ou le garage.

FONCTIONNEMENT

Laissez toujours les grilles de sûreté et les filtres en place. Sans ces éléments, les ventilateurs en marche pourraient accrocher des cheveux, des doigts ou des vêtements amples.

Le fabricant se dégage de toute responsabilité dans les cas de non-respect des instructions transmises dans le présent manuel pour l'installation, l'entretien et l'utilisation adéquate du produit. Le fabricant se dégage également de toute responsabilité pour des blessures qui résulteraient de la négligence lors de l'utilisation. De plus, la garantie prend fin automatiquement lors de l'entretien inapproprié de l'appareil.

***NOTE : Veuillez communiquer avec nous ou visitez le www.zephyronline.com pour obtenir des révisions avant de procéder à des travaux sur commande.**

EXIGENCES ÉLECTRIQUES

Important :

Respectez tous les codes et règlements en vigueur.

Il est de la responsabilité du client de :

- Communiquer avec un installateur-électricien qualifié.
- S'assurer que l'installation électrique est adéquate et qu'elle respecte le Code national de l'électricité, la plus récente édition* du ANSI/NFPA 70 ou des normes du CSA C22.1-94, le Code canadien de l'électricité, section 1, la plus récente édition** du code C22.2 No.0-M91 ainsi que tous les codes et règlements en vigueur.

Si les codes permettent l'utilisation d'un fil de garde isolé et que vous en utilisez un, il est recommandé qu'un électricien qualifié détermine si le cheminement du fil est adéquat.

N'effectuez pas la mise à la terre à un tuyau de gaz.

Demandez à un électricien qualifié si vous n'êtes pas certain que la hotte a été mise à la terre adéquatement.

N'introduisez aucun fusible dans le circuit neutre ou de mise à la terre.

*National Fire Protection Association Batterymarch Park, Quincy, Massachusetts 02269

** CSA International 8501 East Pleasant Valley Road, Cleveland, Ohio 44131-5575

Cet appareil requiert une alimentation électrique de 120V 60Hz. Il doit être connecté à un circuit terminal individuel dûment mis à la terre, protégé par un disjoncteur de circuit ou un fusible temporisé de 15 ou 20 ampères. Le câblage doit compter 2 fils avec mise à la terre. Veuillez vous référer au Diagramme électrique étiqueté sur l'appareil.

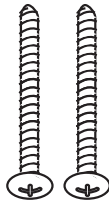
Un raccord de câble (non inclus) pourrait également être exigé par les normes et réglementations locales. Informez-vous des exigences et des normes locales. Achetez et installez le connecteur approprié si nécessaire.

PIECES FOURNIES

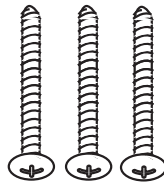
- 1 - Hotte avec ventilateur interne
- 1 - Support mural pour le recouvrement de conduit
- 1 - Ensemble de recouvrement de conduit (parties supérieure et inférieure)
- 1 - Registre antirefoulement circulaire de 6" (preinstallé)
- 2 - Filtres à tamis en aluminium (ZRV x 1)
- 1 - Trousse de quincaillerie

CONTENU DE LA TROUSSE DE QUINCAILLERIE

(2) M6 x 1-1/2"



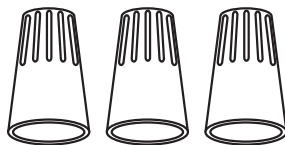
(3) M6 x 1"



(2) M4 x 8



(3) Capuchons de connexion



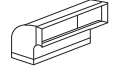
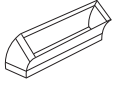
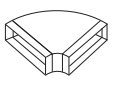
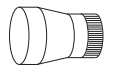
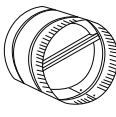
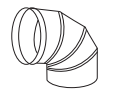



(4) 3/16 x 1/4
(ZRV ONLY)


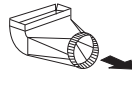
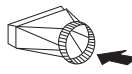
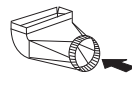
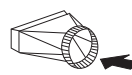
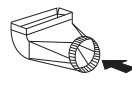

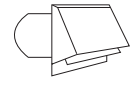



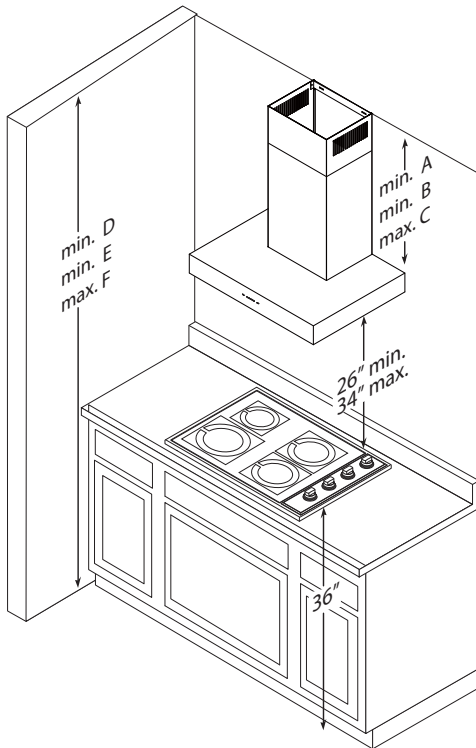
PIECES NON FOURNIES

- Conduit et tous les outils d'installatoir
- Raccord de câble (si exige par les codes en vigueur)
- Accessoire - prolongement pour recouvrement de conduit
- Accessoire - renrise d'air

Pièces de conduit	Longueur x Nombre utilisé =	Total
 3-1/4" x 10" rect., droit	1 pi x () =	pi
 6", 7", 8", 10" circ., droit	1 pi x () =	pi
 3-1/4" x 10" rect., coude à 90°	15 pi x () =	pi
 3-1/4" x 10" rect., coude à 45°	9 pi x () =	pi
 3-1/4" x 10" rect., coude plat à 90°	24 pi x () =	pi
 7" to 6" or 8" to 7" circ. reducteur conique	25 pi x () =	pi
 6", 7", 8" circ. bouchone de l'air	15 pi x () =	pi
 6", 7", 8", 10" circ., coude à 90°	15 pi x () =	pi
 6", 7", 8", 10" coude à 45°	9 pi x () =	pi
Sous-total - colonne 1 =		pi

Longueur maximale du conduit d’aération :
 Pour un mouvement d'air convenable, la longueur totale d'un conduit d'aération ne devrait pas compter plus que l'équivalent de 100 pieds.

Pièces de conduit	Longueur x Nombre utilisé =	Total
 6" circ. à rect. de 3-1/4" x 10"	5 pi x () =	pi
 6" circ. à rect. de 3-1/4" x 10", coude à 90°	20 pi x () =	pi
 6" circ. à rect. de 3-1/4" x 10"	1 pi x () =	pi
 6" circ. à rect. de 3-1/4" x 10", coude à 90°	16 pi x () =	pi
 7" circ. à rect. de 3-1/4" x 10"	8 pi x () =	pi
 7" circ. à rect. de 3-1/4" x 10", coude à 90°	23 pi x () =	pi
 3-1/4" x 10" embout mural rect./registre	30 pi x () =	pi
 6", 7", 8", 10" embout mural circ./registre	30 pi x () =	pi
 6", 7", 8", 10" chapeau de toiture circ.	30 pi x () =	pi
Sous-total - colonne 2 =		pi
Sous-total - colonne 1 =		pi
Total du conduit =		pi



- A : Hauteur de la hotte minimum avec conduit
 B : Hauteur de la hotte minimum avec reprise d'air
 C : Hauteur de la hotte maximum
 D : Hauteur de plafond minimum avec conduit
 E : Hauteur de plafond minimum avec reprise d'air
 F : Hauteur de plafond maximum

Recouvrement de conduit standard

	ZAN	ZSA	ZRV	ZRO
A	27"	28"	23"	26-1/2"
B	31"	32"	27-1/2"	30-1/2"
C	48"	45"	42-1/2"	47-1/2"
D	89" (7' 5")	90" (7' 6")	85" (7' 1")	88-1/2" (7' 4-1/2")
E	93" (7' 9")	94" (7' 10")	89-1/2" (7' 5-1/2")	92-1/2" (7' 8-1/2")
F	118" (9' 10")	115" (9' 7")	112-1/2" (9' 4-1/2")	117-1/2" (9' 9-1/2")

Prolongement de recouvrement de conduit

	ZAN	ZSA	ZRV	ZRO
A	43"	46"	41"	41"
B	47"	50"	46"	45"
C	81"	80"	80"	77"
D	105" (8' 9")	110" (9' 2")	103" (8' 7")	103" (8' 7")
E	109" (9' 1")	112" (9' 4")	108" (9')	107" (8' 11")
F	151" (12' 7")	150" (12' 6")	150" (12' 6")	147" (12' 3")

CONDUIT D'AÉRATION

Un conduit circulaire de 6" doit être utilisé pour assurer une circulation d'air maximale.

N'utilisez que des conduits en métal rigide. Les conduits souples pourraient réduire la circulation d'air jusqu'à 50 %.

Utilisez la feuille de calcul pour obtenir la longueur totale du conduit (page 5).

Lorsqu'il est possible de le faire, diminuez TOUJOURS le nombre de pièces et de changements de direction. Si un long tronçon de conduit est nécessaire, augmentez le diamètre du conduit de 6" à 7" ou 8".

Si des changements de direction ou des adaptateurs sont nécessaires, installez-les le plus loin possible de l'ouverture et le plus éloigné possible l'un de l'autre.

La hauteur de montage minimale ne devrait pas être moins de 26".

La hauteur de montage maximale ne devrait pas dépasser 34".

Il est important d'installer la hotte à la hauteur de montage adéquate. Les hottes installées trop basses pourraient être endommagées par la chaleur en plus de présenter des risques d'incendie plus élevés tandis que les hottes installées trop hautes seront difficiles à atteindre et verront leur efficacité et leur rendement réduits.

Si elles sont disponibles, consultez les exigences de hauteur d'espace libre requise par le fabricant de la cuisinière ainsi que la hauteur recommandée de montage de la hotte au-dessus de la surface de cuisson. Informez-vous toujours des normes et des réglementations locales en vigueur pour toute différence par rapport aux normes du fabricant.

Ensemble de recouvrement de conduit disponible pour les plafonds atteignant 12 pieds. N° de pièce et information pour commander disponibles à la page 22.

ENDOMMAGEMENT LORS DE LA LIVRAISON/INSTALLATION :

- Veuillez vous assurer que toutes les pièces de l'appareil ne sont pas endommagées avant l'installation.
- Si l'appareil est endommagé durant la livraison, retournez l'appareil à l'endroit où vous l'avez acheté pour réparation ou remplacement.
- Si l'appareil est endommagé par le client, la réparation ou le remplacement est à la charge du client.
- Si l'appareil est endommagé par l'installateur (si autre que le client), le client et l'installateur doivent en venir à une entente pour la réparation ou le remplacement.

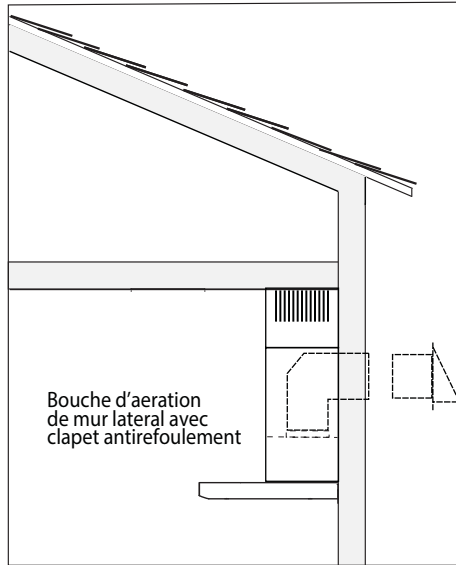
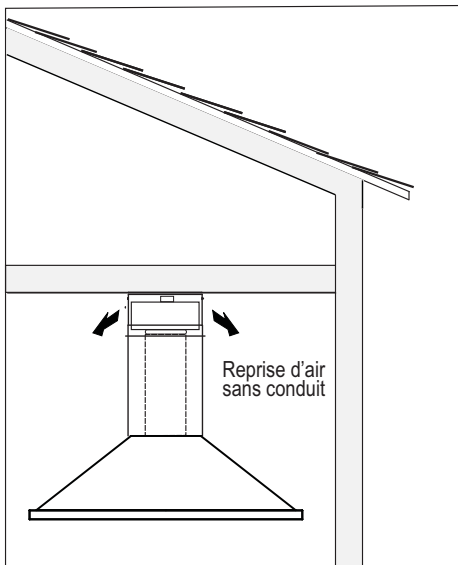
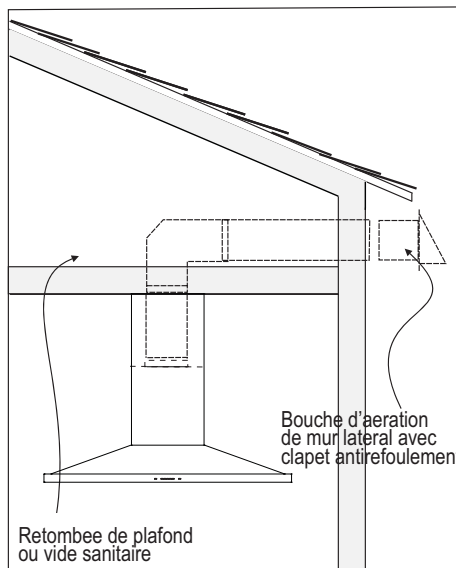
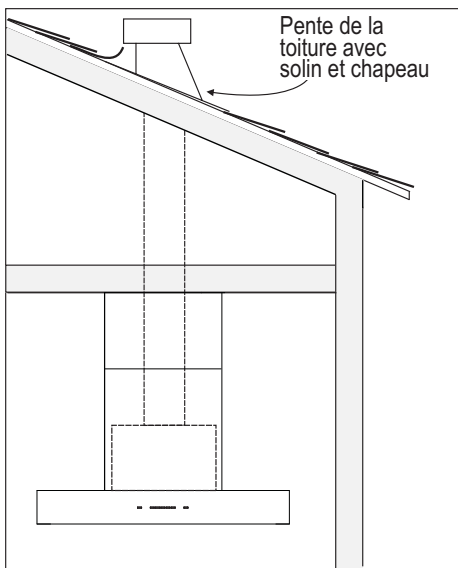
AVERTISSEMENT DE RISQUE D'INCENDIE

N'évacuez ou ne terminez JAMAIS l'échappement du conduit dans les espaces entre les murs, les vides sanitaires, le plafond, le grenier, ou le garage. Tous les échappements doivent être dirigés à l'extérieur de la maison, à moins que l'option de reprise d'air ne soit utilisée.

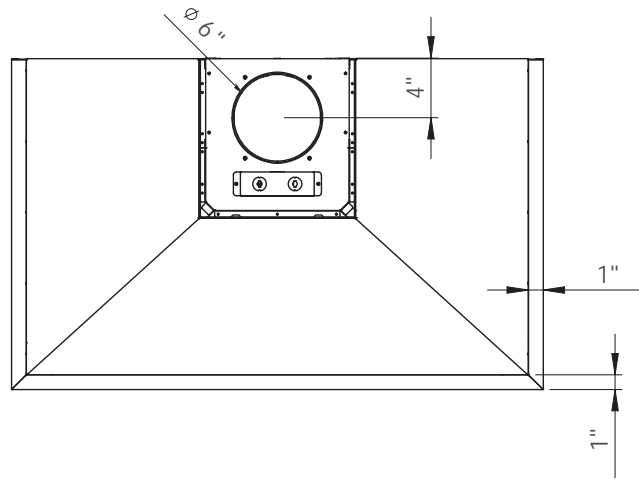
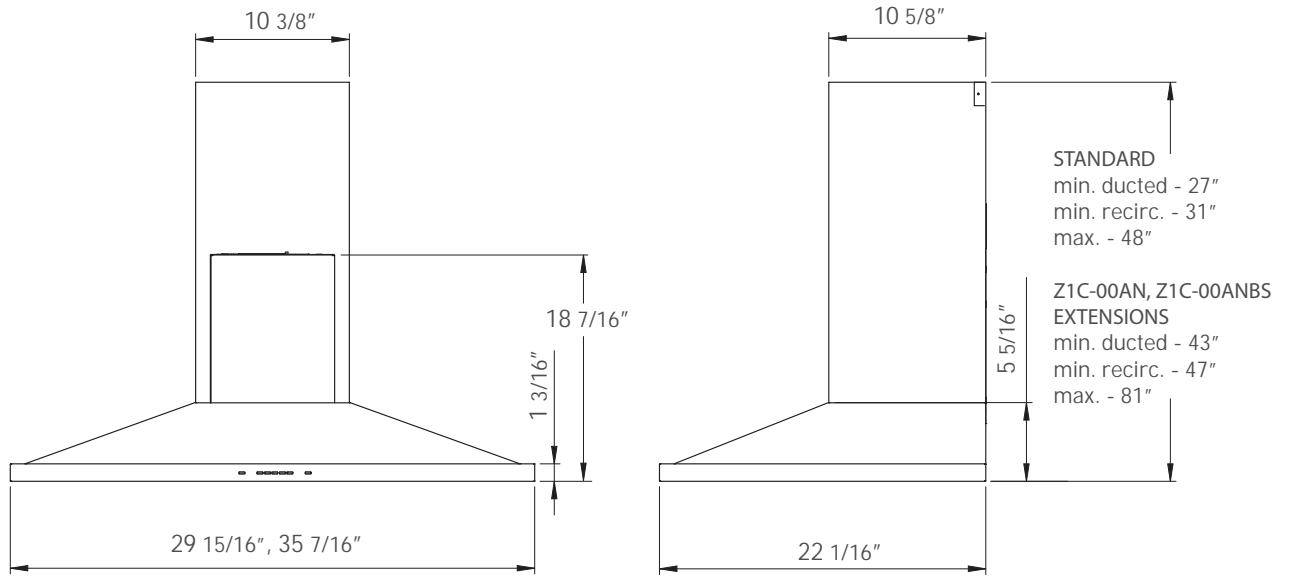
N'utilisez que des conduits en métal pour cloison simple.

Fixez toutes les pièces du conduit avec des vis à tôle et isolez tous les joints avec du ruban adhésif en toile ou du ruban réflecteur certifié.

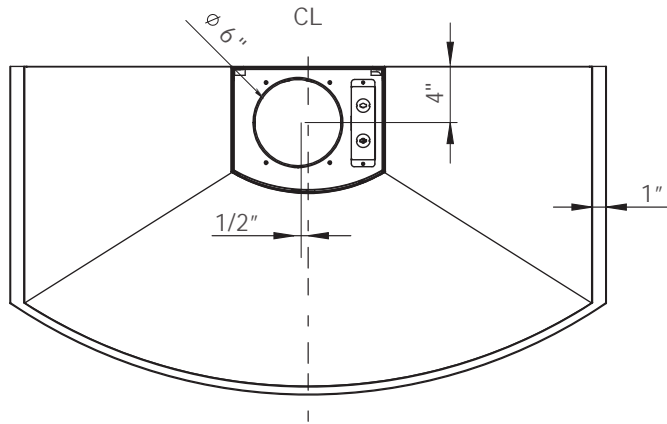
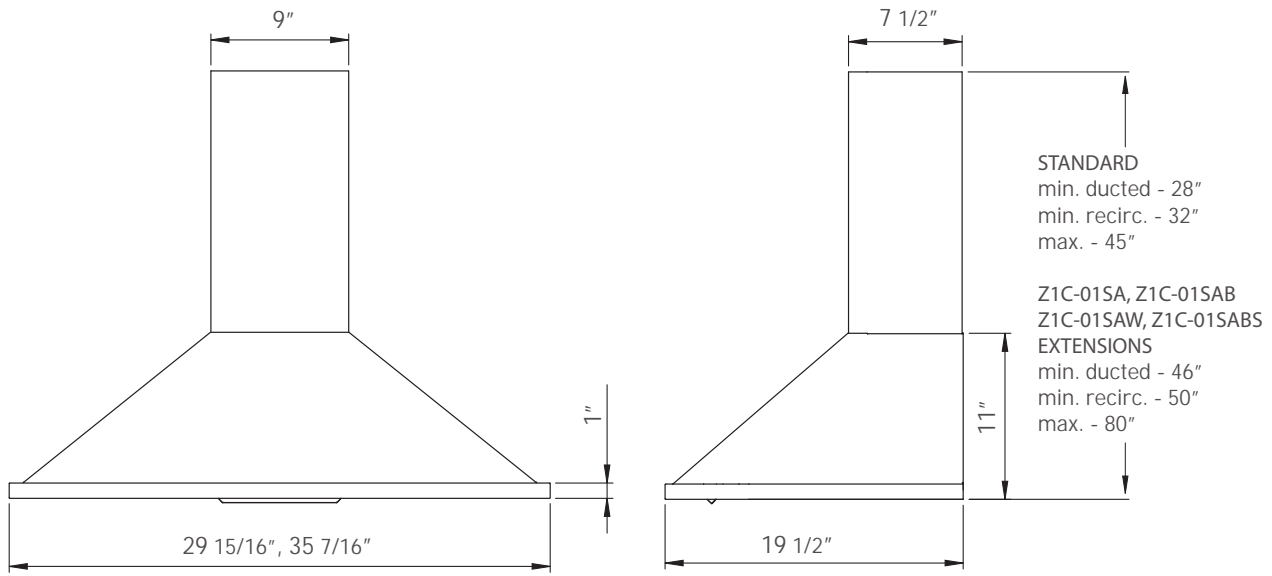
Quelques options pour le conduit d'aération



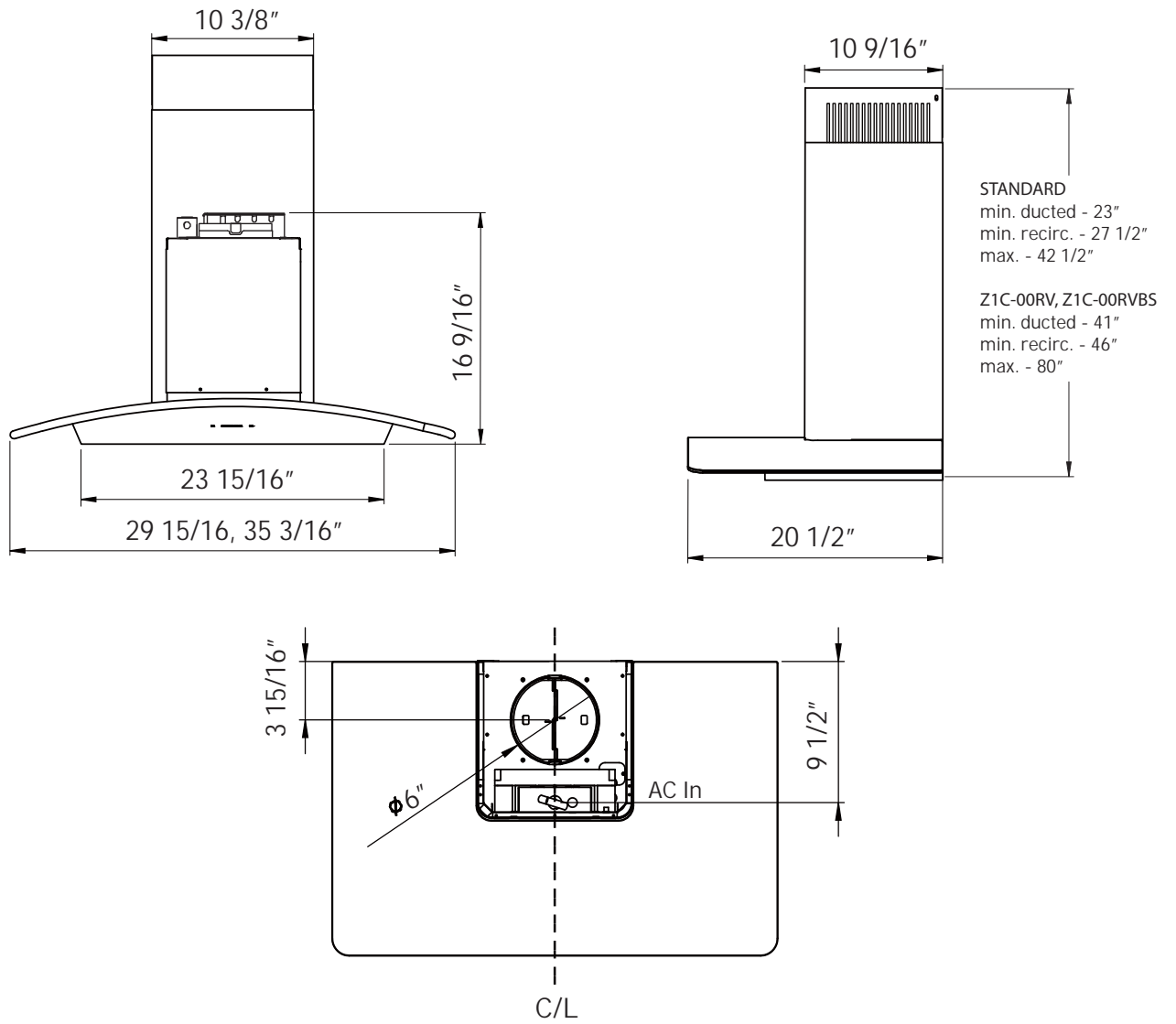
Installation – Spécifications de la hotte ZAN

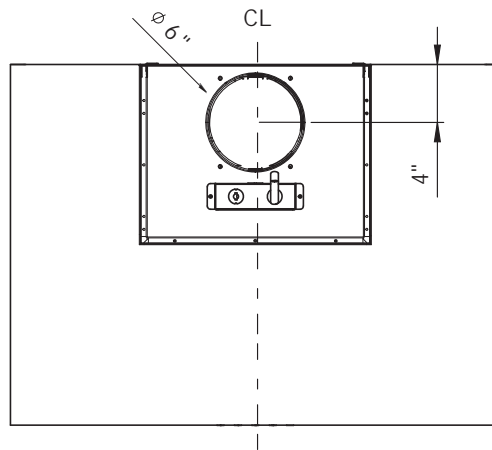
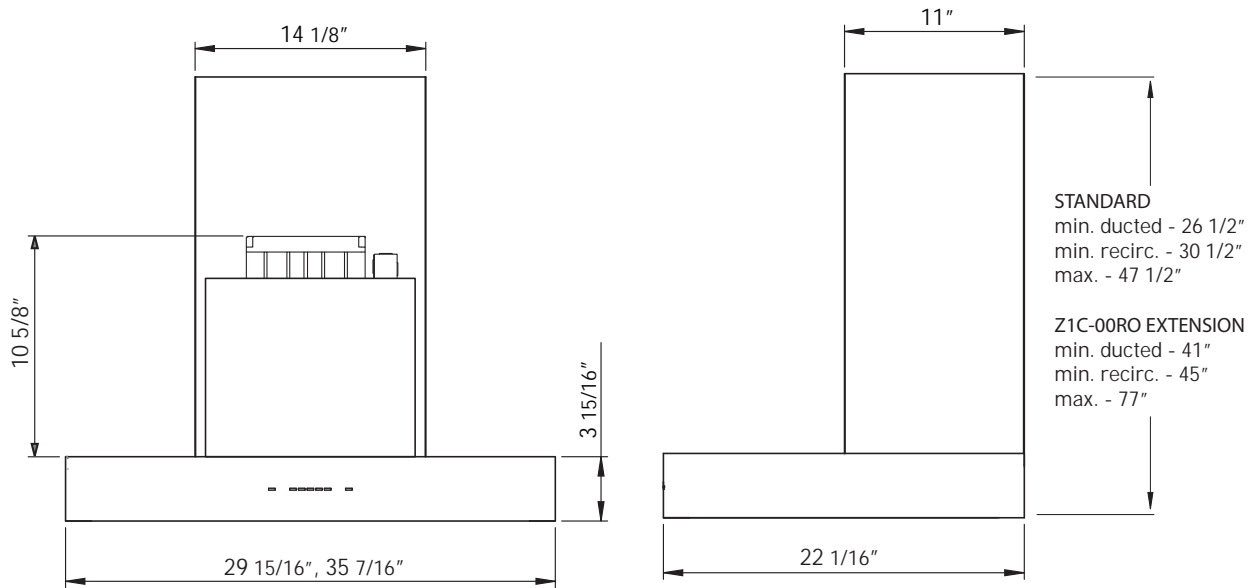


Installation – Spécifications de la hotte ZSA



Installation – Spécifications de la hotte ZRV





Installation – Spécifications de la hotte ZRO

Installation – Montage de la hotte

⚠ ATTENTION : Compte tenu du poids et des dimensions de la hotte, au moins deux installateurs sont nécessaires.

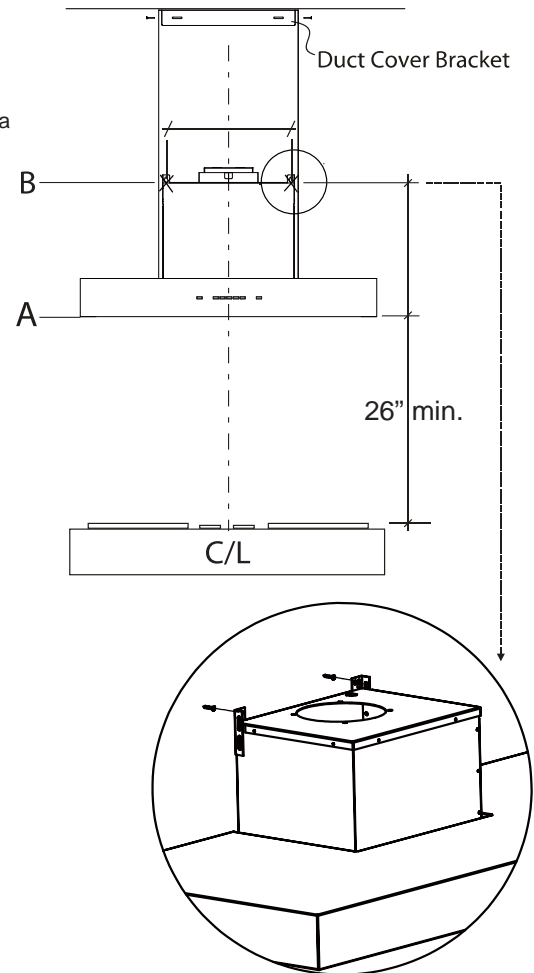
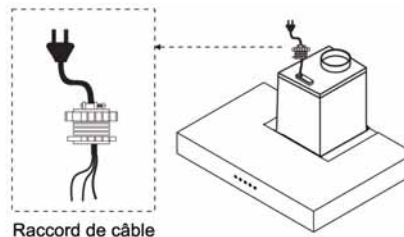
1. Prenez la mesure entre la surface de la cuisinière et la base de la hotte; marquez la ligne A (min. 26" à partir du dessus de la cuisinière).
2. Marquez la ligne centrale avec exactitude.
3. Marquez la ligne de hauteur de montage B.
ZAN : 18-7/16" la ligne A
ZSA : 9-1/2" la ligne A
ZRV : 15-7/8" la ligne A
ZRO : 12-3/16 la ligne A
4. Marquez la largeur de montage à partir de la L/C.
ZAN : 8-7/8" la ligne B
ZSA : 9-7/8" la ligne B
ZRV : 8-15/16" la ligne B
ZRO : 12-5/8" la ligne B
5. Fixez les (2) vis M4x1-1/2" aux poutres de la ligne B. Ne tournez pas les vis jusqu'au fond. **Note : Vous pourriez avoir à ajouter des renforcements de bois pourraient derrière la cloison sèche si aucune poutre n'est présente. Des dispositifs d'ancrage au mur peuvent également être utilisés, mais vérifiez d'abord les réglementations locales avant d'utiliser de tels dispositifs.**
6. Enlevez les deux (2) filtres à tamis en aluminium.
7. Accrochez la hotte aux vis de montage et serrez chaque vis à la main (Fig. A).
8. Centrez et fixez à l'aide de (2) vis M4 x 1" le support de montage du recouvrement de conduit au mur juste en-dessous du plafond ou de la retombée de plafond.
9. Procédez à l'installation électrique et installez le conduit. Scellez le conduit avec du ruban à conduit en aluminium.
10. Mettez la hotte sous tension et vérifiez s'il y a des fuites d'air autour du ruban à conduit.
11. Fixez les plaques de recouvrement coulissantes du conduit à la hotte et faites glisser la plaque de recouvrement intérieure (partie supérieure) vers le haut. Fixez-la au support de fixation du recouvrement de conduit à l'aide de deux (2) vis M3.5 x 8". Réinstallez les filtres à tamis.

*Si vous utilisez le mode de reprise d'air, vous devez fixer la plaque du déflecteur d'air au mur avant d'installer le conduit et les pièces de recouvrement du conduit. Vous aurez également à installer des filtres à charbon et des supports. Consultez la page 13 pour obtenir plus de détails.

⚠ AVERTISSEMENT : Le câblage électrique doit être effectué par une ou des personnes qualifiées selon les stipulations de tous les normes et standards en vigueur. Éteignez l'alimentation électrique à l'entrée de service avant de procéder au câblage.

Raccord de câble :

Un raccord de câble (non inclus) pourrait également être exigé par les normes et réglementations locales. Informez-vous des exigences et des normes locales. Achetez et installez le connecteur approprié si nécessaire.



La configuration de reprise sans conduit a été conçue pour les applications où il est impossible d'installer un conduit d'aération. Lorsque transformée, la hotte fonctionne comme une hotte de reprise d'air plutôt que comme un système d'évacuation d'air. Les vapeurs et fumées de cuisson sont aspirées et filtrées par un ensemble optionnel de filtres à charbon. L'air est ensuite purifié et redirigé à l'intérieur de la maison.

Nous recommandons de TOUJOURS évacuer l'air à l'extérieur de la maison en utilisant le conduit en place ou, s'il y a possibilité, en installant un nouveau conduit. La hotte est plus efficace lorsqu'utilisée comme système d'évacuation d'air. Vous ne devriez recourir à la configuration de reprise d'air que lorsqu'il est impossible d'installer un conduit d'aération.

Lorsque la configuration de reprise d'air est choisie, un ensemble de filtres à charbon doit être installé sur l'ensemble de filtres à tamis standards. Commandez-les en vous référant au numéro de pièce ci-dessous. Les filtres métalliques standards sont conçus pour capturer les résidus de cuisson et les filtres à charbon optionnels aident à la purification des vapeurs et fumées de la cuisson lors de la reprise d'air.

ENSEMBLE DE REPRISE D'AIR (REQUIS SI AUCUN CONDUIT N'EST UTILISÉ)

L'ensemble comprend des filtres à charbon et un déflecteur d'air.

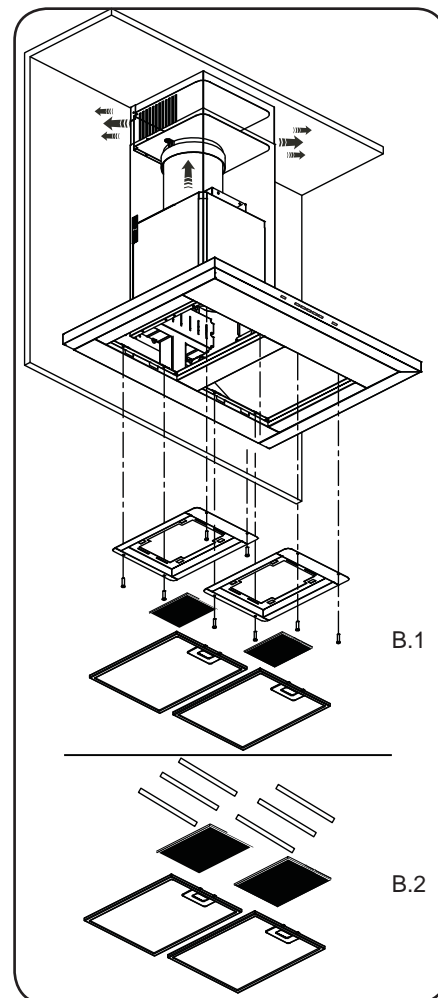
Modèle de hotte	Numéro de pièce	Filtres et supports par paquet
ZAN	ZRC-01AN	2
ZSA	ZRC-00SV	2
ZRV	ZRC-00RV	2
ZRO	ZRC-01RO	2

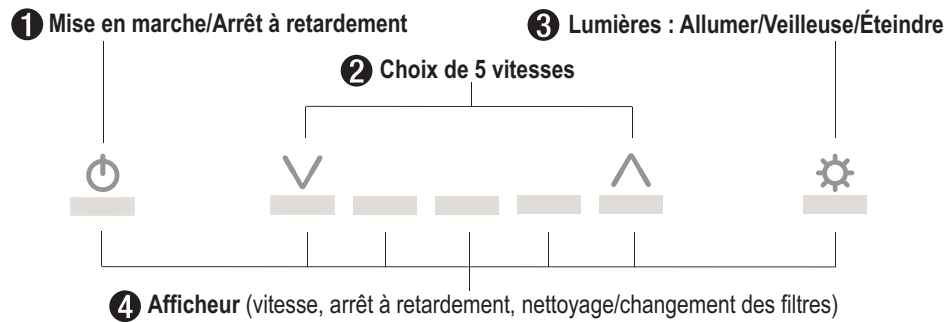
1. Procurez-vous l'ensemble de reprise d'air en utilisant le numéro de pièce ci-dessus
2. Fixez le déflecteur au mur, sous le support mural de recouvrement de conduit (FIG. B). Installez le conduit de 6" à la partie supérieure de la hotte et fixez-le à la plaque du déflecteur d'air.
3. Retirez les filtres à tamis métalliques de la hotte. Fixez les supports à filtres à charbon au boîtier de la hotte derrière chaque filtre à tamis à l'aide des vis fournies dans l'ensemble de reprise d'air. Fixez les filtres à charbon sur le support de filtres à charbon situé à l'intérieur de la hotte.
4. Réinstallez les filtres à tamis.
5. Les filtres à charbon doivent être remplacés après 120 heures d'utilisation (ou approximativement tous les 3-4 mois à raison de 1-2 heures d'utilisation quotidienne).

Filtres à charbon de remplacement

Modèle de hotte	Numéro de pièce	Quantité à commander
ZAN	Z0F-C091	2
ZSA / ZRV / ZRO	Z0F-C002	2



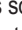
NE NETTOYEZ PAS LES FILTRES À CHARBON. Vous pourriez avoir à changer les filtres à charbon plus souvent selon vos habitudes culinaires.









1 MISE EN MARCHE/ARRÊT À RETARDEMENT


Fonction de la touche de mise en marche

- La touche  permet d'allumer et d'éteindre toutes les fonctions de la hotte (ventilateurs et lumières).
- La hotte se rappelle la dernière vitesse et le dernier niveau d'éclairage utilisés.
(Exemple : Appuyez sur la touche  lorsque le ventilateur fonctionne à la vitesse 4 et que les lumières sont allumées à haute intensité. Si vous appuyez de nouveau sur la touche , le ventilateur repart à la vitesse 4 et les lumières se rallument à haute intensité.)

Fonction de la touche d'arrêt à retardement

- Lorsque le ventilateur est en cours d'utilisation, appuyez sur la touche  et maintenez-la enfoncée pendant deux secondes. Le ventilateur passe à la vitesse 1 et le compte à rebours de la minuterie de l'arrêt à retardement commence.
Les DEL  et  s'illuminent et clignotent lentement en fonction du temps qu'il reste avant l'arrêt automatique du ventilateur et des lumières.
- Appuyez sur la touche  lorsque la fonction d'arrêt à retardement est en cours d'utilisation pour éteindre la hotte et annuler la fonction d'arrêt à retardement.

Vérification de la ACT

- La technologie de contrôle du débit d'air permet à l'installateur d'ajuster la quantité maximale d'évacuation de pi^3/min du ventilateur afin de respecter les codes et règlements en vigueur.
 - Pour vérifier la quantité maximale d'évacuation de pi^3/min du ventilateur :
 - Lorsque la hotte est éteinte, appuyez sur la touche  et maintenez-la enfoncée pendant deux secondes. Si cinq icônes de ventilateur s'illuminent, le réglage est ajusté au maximum. Si quatre icônes s'illuminent, le maximum est de $390 \text{ pi}^3/\text{min}$. Si trois icônes s'illuminent, le maximum est de $290 \text{ pi}^3/\text{min}$.

2 TOUCHE DE CHOIX DE VITESSE

Touche de réduction de vitesse du ventilateur

- Appuyez sur cette touche pour réduire la vitesse du ventilateur. 5, 4, 3, 2, 1.
- Si le ventilateur est à la vitesse 1 et que vous appuyez sur cette touche, le ventilateur s'éteint.

Touche d'augmentation de vitesse du ventilateur

- Appuyez sur cette touche pour augmenter la vitesse du ventilateur. 1, 2, 3, 4, 5.
- Si le ventilateur est éteint et que vous appuyez sur cette touche, le ventilateur s'allume à la vitesse 1.

Choix de vitesse avec ACT activée



- Lorsque la TCDA est activée, le nombre de vitesses du ventilateur est réduit comme suit :
 - $390 \text{ pi}^3/\text{min}$ = 4 vitesses maximum
 - $290 \text{ pi}^3/\text{min}$ = 3 vitesses maximum

3 TOUCHE DE CONTRÔLE DES LUMIÈRES ⚙️







- Il existe deux intensités : haute et basse.
- Lorsque les lumières sont éteintes, appuyez une fois pour les allumer à haute intensité. Appuyez de nouveau pour les mettre en veilleuse. Appuyez encore une fois pour les éteindre.

4 AFFICHEUR

Rappel de nettoyage des filtres à tamis (toujours activé)

- Après 30 heures d'utilisation du ventilateur, l'icône  commence à clignoter lentement, indiquant qu'il est temps de nettoyer les filtres à tamis.
- **Pour réinitialiser** - Lorsque la hotte est éteinte : tenez la touche  enfoncée pendant trois secondes. Tous les indicateurs DEL clignotent deux fois, confirmant la réinitialisation de la minuterie de 30 heures.

Indicateur de remplacement des filtres à charbons (désactivé par défaut, doit être activé lors de l'utilisation du mode de recirculation d'air)

- Pour activer le rappel de remplacement des filtres à charbon :
 - Lorsque la hotte est éteinte, tenez les touches  et  enfoncées simultanément pendant deux secondes. Tous les indicateurs DEL s'illuminent pendant trois secondes, confirmant l'activation du rappel de remplacement des filtres à charbon.
- Pour désactiver le rappel de remplacement des filtres à charbon :
 - Lorsque la hotte est éteinte, tenez les touches  et  enfoncées simultanément pendant deux secondes. Tous les indicateurs DEL clignotent deux fois, confirmant la désactivation du rappel de remplacement des filtres à charbon.
- Après 120 heures d'utilisation du ventilateur, la touche  clignote lentement, indiquant que les filtres à charbon doivent être remplacés.
- **Pour réinitialiser** - Lorsque la hotte est éteinte : tenez la touche  enfoncée pendant deux secondes. Tous les indicateurs DEL clignotent deux fois, confirmant la réinitialisation de la minuterie de 120 heures.

ENTRETIEN DES SURFACES

Nettoyez régulièrement les surfaces de la hotte avec de l'eau savonneuse chaude et un chiffon de coton propre. N'utilisez pas de détergent abrasif ou corrosif, de laines d'acier ou de tampons à récurer; ils égratigneront et endommageront les surfaces.

Pour les taches plus tenaces, utilisez du produit dégraissant liquide.

Après le nettoyage, vous pouvez polir les surfaces avec des produits de polissage à acier inoxydable non abrasifs pour redonner de l'éclat et du lustre aux surfaces. Frottez toujours doucement, avec un chiffon de coton propre, et dans le sens du grain.

N'utilisez pas de produits à blanchir au chlore ou d'agents nettoyants « orange ».

Filtres à tamis en aluminium

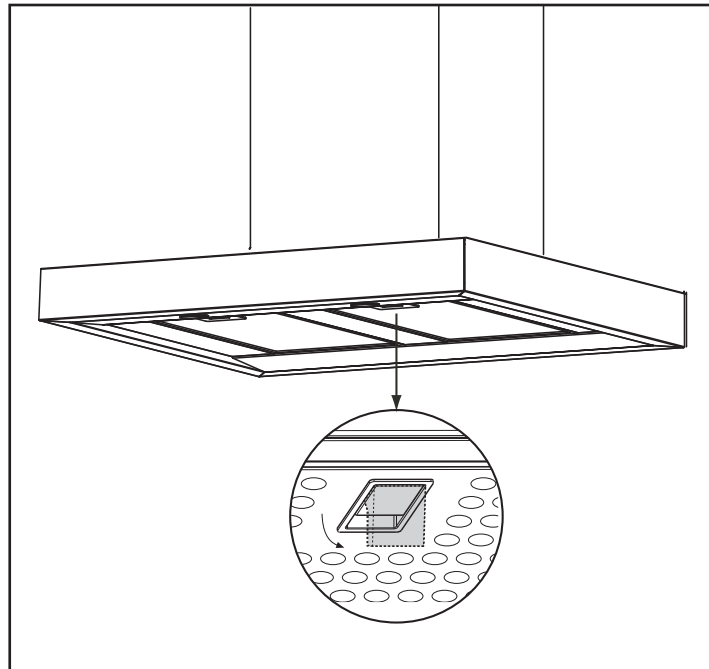
Les filtres à tamis en aluminium installés par le fabricant ont pour fonction de filtrer les résidus et la graisse de cuisson. Ils ne nécessitent aucun remplacement sur une base régulière, mais doivent être gardés propres.

Enlevez-les et nettoyez-les à la main ou au lave-vaisselle avec de l'eau tiède. Vaporisez avec du détergent pour graisse et laissez tremper pour éliminer la saleté accumulée.

Séchez les filtres et réinstallez-les avant d'utiliser la hotte.

Pour enlever les filtres à tamis en aluminium

1. Poussez sur les poignées à ressort
2. Tirez sur la poignée du filtre vers le bas pour enlever le filtre



Technologie de contrôle du débit d'air (ACT)

Certains codes et règlements limitent la quantité maximale de pi^3/min qu'une hotte peut extraire. La ACT permet de contrôler la quantité maximale de pi^3/min qu'évacuent un éventail de hottes Zephyr, éliminant la nécessité d'acheter un dispositif d'air d'appoint dispendieux. La ACT permet à l'installateur d'ajuster facilement la vitesse maximale du ventilateur à l'un des niveaux de pi^3/min les plus fréquemment utilisés : 390 pi^3/min ou 290 pi^3/min . Il est possible que l'utilisation de la ACT ne soit pas requise pour votre installation. Veuillez vérifier les codes en vigueur dans votre région pour connaître les restrictions en matière de pieds cubes par minute.

Par défaut, le nombre maximal de pi^3/min du ventilateur est de 600 pour ZAN, ZRV, ZRO.

Par défaut, le nombre maximal de pi^3/min du ventilateur est de 685 pour ZSA.

ATTENTION:

Avant de suivre les instructions apparaissant ci-dessous, veuillez débrancher la hotte de sa source d'alimentation. Le non-respect de cette consigne peut provoquer une lésion corporelle ou endommager l'appareil.

Pour activer ACT

1. Avant de procéder à l'installation de la hotte, accédez à la carte de circuits imprimés en suivant les étapes de la FIG. C.
2. Modifiez la position des cavaliers de plastique comme illustre sur la FIG. D pour ajuster le débit d'air au nombre maximal de pi^3/min désiré.
3. Reinstallez la carte de circuits imprimés au boîtier de la carte de circuits imprimés et continuez l'installation de la hotte.
4. Prenez l'étiquette d'aluminium appropriée indiquant le nombre de pi^3/min inclus avec les documents de la hotte et placez-le à l'intérieur du boîtier de l'appareil, sous l'étiquette du schéma de câblage ou à un autre endroit visible.

NOTE: Après avoir modifié la position du cavalier et branché l'appareil, le débit de la hotte ne peut être modifié à nouveau.

Pour vérifier si votre installateur a activé la ACT

Appuyez sur la touche de mise en marche et tenez-la enfoncée pendant trois secondes lorsque la hotte est éteinte. Si cinq indicateurs DEL s'allument, la hotte est réglée pour évacuer le maximum de pi^3/min par défaut; si trois indicateurs DEL s'allument, la hotte est réglée pour évacuer un maximum de 390 pi^3/min ; si deux indicateurs DEL s'allument, la hotte est réglée pour évacuer un maximum de 290 pi^3/min .

Si la ACT est activée, le nombre de vitesses du ventilateur est réduit, comme suit : 390 pi^3/min = 4 vitesses max.; 290 pi^3/min = 3 vitesses max.

Une étiquette en aluminium devrait également se trouver à l'intérieur du pavillon de la hotte, près du schéma de câblage indiquant le nombre de pi^3/min que peut évacuer le ventilateur.

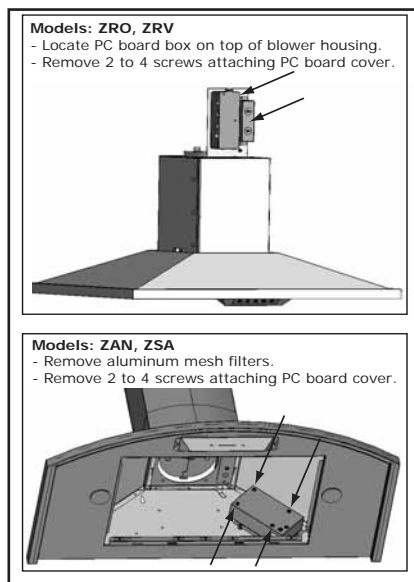


FIG. C

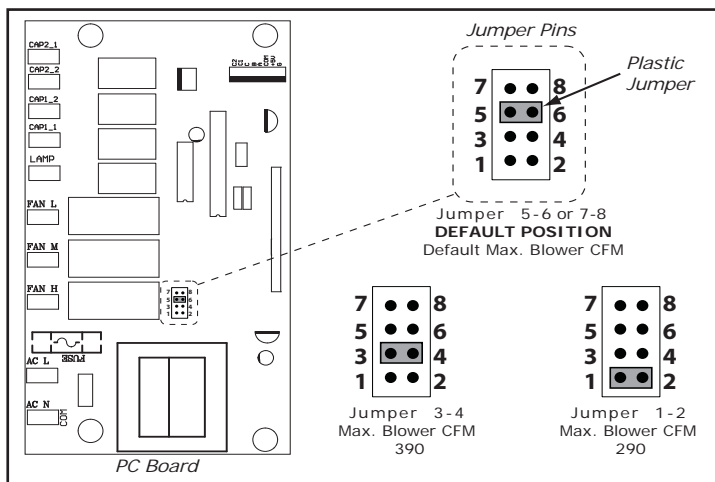


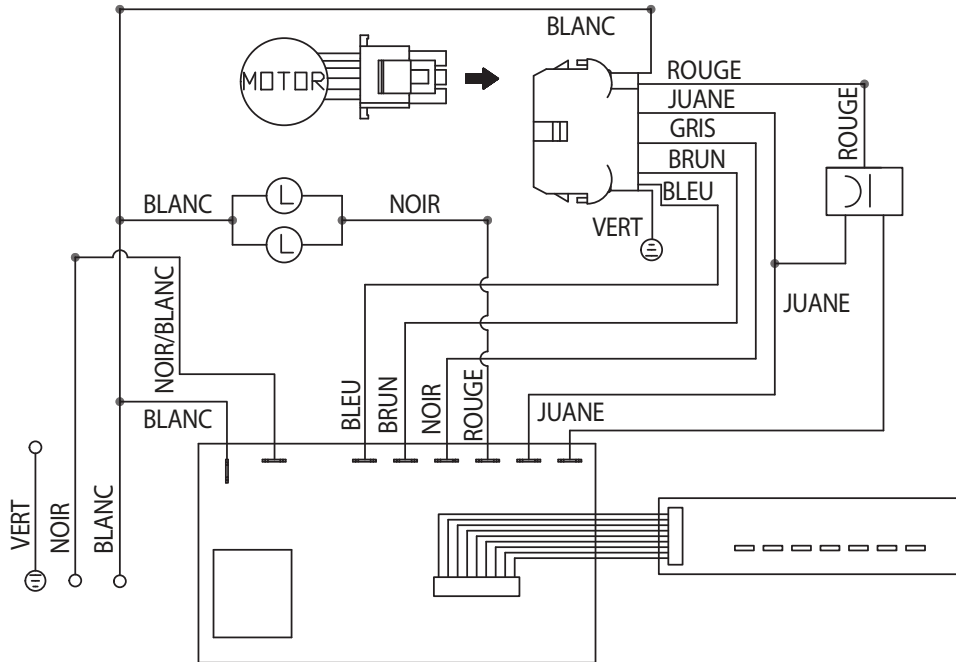
FIG. D

Schéma de câblage

UTILISER SEUL TYPE MR16, GU10, 50 W. **MAX.** LES AMPOULES HALOGENES

ZRO-E30CS, ZRO-M90CS	VOLTS	HZ	AMPERES MAXIMUM
	120	60	5

SCHEMA DE CIRCUIT



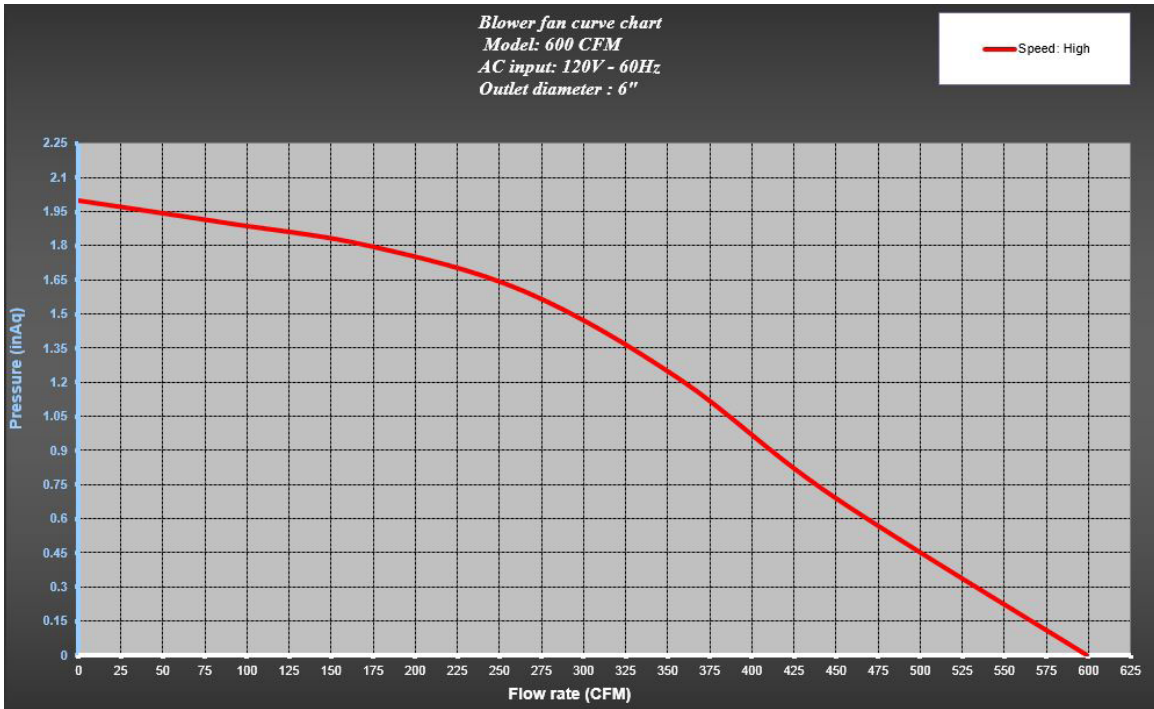
REMARKS: CONDENSER 12.5+12.5uF 250VAC FIT AC120V 60Hz

Consommation énergétique avec la configuration par défaut du ventilateur à 600 pi3/min

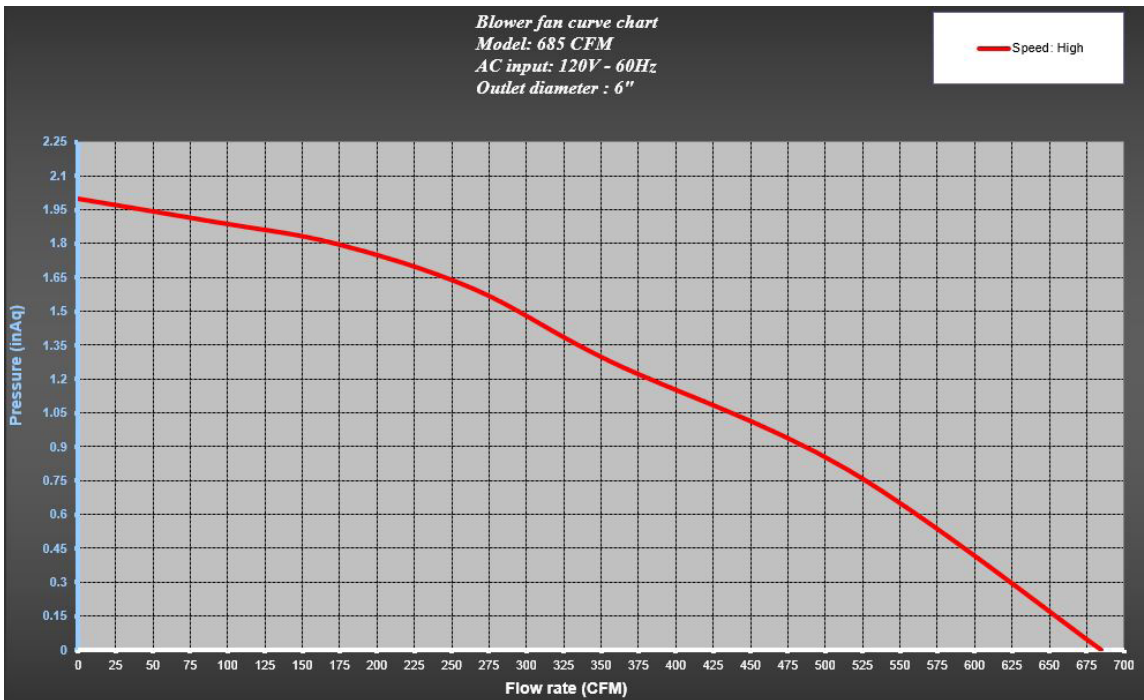
ACT 390 pi3/min — Max. du ventilateur : 320W à 2,6 A

ACT 290 pi3/min — Max. du ventilateur : 303W à 2,5 A

ZAN, ZRV, ZRO

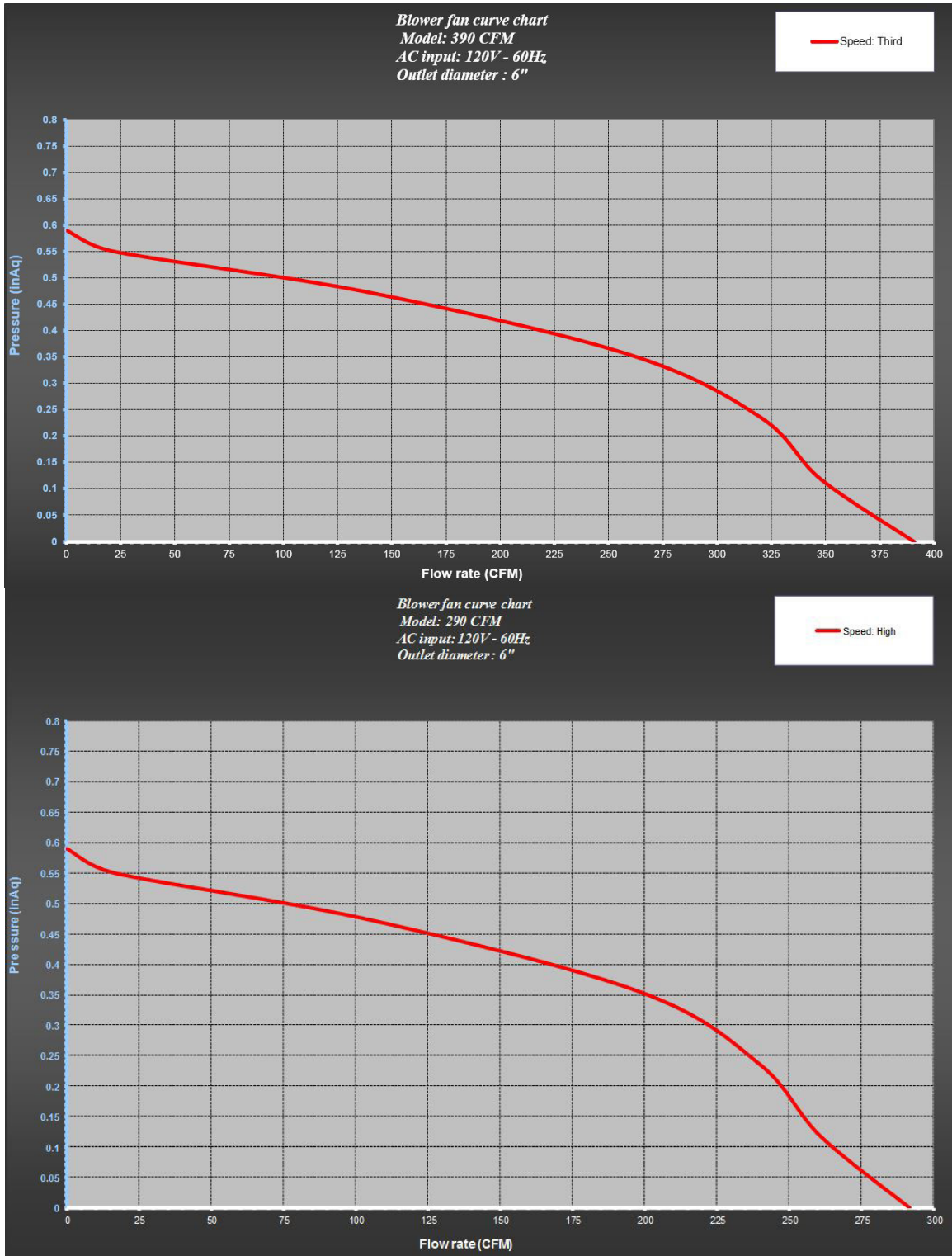


ZSA



Diagrammes des courbes caractéristiques des ventilateurs

Diagrammes des courbes caractéristiques des ventilateurs



PROCÉDURES DE DÉPANNAGE POUR LA HOTTE

Problème	Cause	Solution
Après l'installation, l'appareil ne fonctionne pas.	1. Le bloc d'alimentation n'est pas allumé	1. Assurez-vous que l'alimentation du disjoncteur et de l'appareil est allumée
	2. La ligne électrique et le raccord de câble ne sont pas correctement branchés	2. Vérifiez que le branchement de l'appareil a été fait correctement
	3. Les fils électriques du tableau de contrôle et de commande sont débranchés	3. Assurez-vous que les fils électriques entre les tableaux de contrôle et de commande sont branchés convenablement
	4. Tableau de contrôle/commande défectueux	4. Remplacez le tableau de contrôle/commande
Les lumières fonctionnent, mais le moteur ne tourne pas.	1. Le moteur est défectueux, possiblement bloqué	1. Remplacez le moteur
	2. Le système de protection thermique détecte que le moteur est trop chaud pour fonctionner et l'éteint.	2. Le moteur fonctionnera normalement lorsque le système de protection thermique aura refroidi
	3. Le condensateur est endommagé	3. Remplacez le condensateur
	4. Tableau de contrôle/commande défectueux	4. Remplacez la pièce défectueuse
L'appareil vibre.	1. Le moteur n'est pas bien fixé en place	1. Fixez solidement le moteur en place
	2. La roue du ventilateur est endommagée	2. Remplacez le ventilateur
	3. La hotte n'est pas bien fixée en place	3. Vérifiez l'installation de la hotte
	4. Tableau de contrôle/commande défectueux	4. Remplacez la pièce défectueuse
Le moteur fonctionne, mais pas les lumières.	1. L'ampoule LED est défectueuse	1. Remplacez l'ampoule LED
	2. L'ampoule est desserrée	2. Serrez l'ampoule
La hotte ne fonctionne pas bien.	1. La hotte est possiblement installée trop haut par rapport à la cuisinière	1. Ajustez la distance entre la surface de la cuisinière et la base de la hotte entre 26" et 34"
	2. Du vent provenant d'une fenêtre ou d'une porte ouverte avoisinante nuit à la ventilation	2. Fermez toutes les portes et fenêtres pour éliminer les courants d'air
	3. L'ouverture du conduit ou le conduit lui-même est bloqué	3. Enlevez tout ce qui bloque l'ouverture ou le conduit d'aération
	4. L'ouverture du conduit est contre le vent	4. Ajustez l'orientation de l'ouverture du conduit
	5. Mauvaises dimensions de conduit d'aération	5. Remplacez le conduit par un conduit adéquat de 6" de diamètre ou plus pour le ventilateur interne et de 8" ou plus pour le ventilateur externe
Le filtre en métal vibre.	1. Le filtre en métal est desserré	1. Remplacez le filtre en métal

DESCRIPTION	N° DE PIÈCE
Pieces de remplacement	
ZAN Remplacement charbon filtre	Z0F-C091
ZSA,ZRV,ZRO Remplacement charbon filtre	Z0F-C002
ZAN Aluminum filtre (chaque)	50200059
ZSA Aluminum filtre (chaque)	50200011
ZRV Aluminum filtre (chaque)	50200044
ZRO Aluminum filtre (chaque)	50200053
ZAN Accessoires optionnels	
ZAN Ensemble de reprise d'air	ZRC-01AN
ZAN SS recouvrement de conduit	Z1C-00AN
ZAN BLK SS recouvrement de conduit	Z1C-00ANBS
ZSA Accessoires optionnels	
ZSA Ensemble de reprise d'air	ZRC-00SV
ZSA SS recouvrement de conduit	Z1C-01SA
ZSA BLK recouvrement de conduit	Z1C-01SAB
ZSA WHT recouvrement de conduit	Z1C-01SAW
ZSA BLK SS recouvrement de conduit	Z1C-01SABS
ZRV Accessoires optionnels	
ZRV Ensemble de reprise d'air	ZRC-00RV
ZRV SS recouvrement de conduit	Z1C-00RV
ZRV BLK SS recouvremend de conduit	Z1C-00RVBS
ZRO Accessoires optionnels	
ZRO Ensemble de reprise d'air	ZRC-00RO
ZRO SS recouvrement de conduit	Z1C-00RO

Pour commander des pièces, visitez-nous en ligne au www.zephyronline.com ou communiquez avec nous par téléphone au 1-888-880-8368

ZEPHYR

Garantie limitée

AGRAFEZ VOTRE REÇU ICI

Une preuve de la date d'achat originale est nécessaire pour obtenir du service lorsque le produit est sous garantie

POUR OBTENIR DU SERVICE SOUS GARANTIE OU POUR TOUTE QUESTION LIÉE À L'ENTRETIEN, veuillez communiquer avec nous au 1-888-880-8368

Zephyr Ventilation, LLC (désigné aux présentes sous le nom de « nous ») garantit au premier acheteur (désigné aux présentes sous le nom de « vous » ou « votre ») de produits Zephyr (les « Produits ») que lesdits produits sont exempts de défauts de fabrication ou de main-d'œuvre selon les conditions suivantes :

Garantie de trois ans sur les pièces : Garantie de trois ans à partir de la date d'achat originale du Produit. Nous fournirons sans frais les Produits ou les pièces (y compris les ampoules LED, le cas échéant) de remplacement qui comportaient des défauts de fabrication. Nous pourrions choisir, à notre seule discrétion, de réparer ou de remplacer des pièces avant de prendre la décision de remplacer le Produit.

Garantie limitée d'un an sur la main-d'œuvre : Garantie d'un an à partir de la date d'achat originale du Produit. Nous fournirons sans frais les frais de main-d'œuvre afférents à la réparation du Produit ou des pièces de remplacement qui comportaient des défauts de fabrication. Un an après la date d'achat originale, vous serez responsable de tous les frais de main-d'œuvre associés à la présente garantie.

Exclusions de la garantie : Cette garantie ne couvre que la réparation ou le remplacement, à notre gré, de pièces ou de Produits défectueux et ne couvre aucun autre coût afférent aux Produits, dont, sans s'y limiter, les frais liés : (a) à l'entretien normal des Produits et au remplacement des pièces consommables, comme les fluorescent, incandescence ou halogéneampoules, les filtres métalliques, les filtres à charbon et les fusibles; (b) à tout Produit ou pièce ayant été endommagé durant le transport ou étant le résultat d'un mauvais usage, d'une négligence, d'un accident, d'une installation incorrecte ou ne respectant pas les notices d'installation recommandées, d'un entretien ou d'une réparation inapproprié (dont ne nous sommes pas responsables); (c) à une utilisation commerciale ou ne correspondant pas à l'utilisation pour laquelle les Produits sont conçus; (d) à l'usure naturelle du fini, à l'usure due à un entretien inadéquat, à l'utilisation de produits nettoyants corrosifs ou abrasifs, de tampons nettoyeurs et de produits de nettoyage pour le four; (e) aux éclats, entailles ou fissures résultant d'un abus ou d'une mauvaise utilisation du Produit; (f) aux déplacements d'un technicien de service à votre domicile pour vous montrer comment utiliser les Produits; (g) aux dommages causés par un accident, un incendie, une inondation, un cas fortuit; ou (h) Les installations personnalisées ou modifications qui ont un impact maintenabilité du Produit. Si vous vous trouvez à l'extérieur du territoire que nous desservons, des frais supplémentaires pourraient s'appliquer pour la livraison des produits à nos points de service désignés pour une réparation sous garantie ou vous pourriez avoir à déboursier les frais de déplacement du technicien à votre domicile pour que le Produit soit réparé, enlevé ou réinstallé. Un an après la date d'achat originale du Produit, vous êtes également responsable de tous les frais de main-d'œuvre associés à la présente garantie.

Restrictions de la garantie. NOTRE OBLIGATION DE RÉPARER OU DE REMPLACER, À NOTRE GRÉ, LE PRODUIT CONSTITUE VOTRE SEUL ET UNIQUE RECOURS SOUS LA PRÉSENTE GARANTIE. NOUS NE NOUS PORTONS PAS RESPONSABLES POUR TOUT DOMMAGE INDIRECT, ACCESSOIRE OU PARTICULIER RÉSULTANT OU AYANT UN LIEN AVEC L'UTILISATION OU LE RENDEMENT DES PRODUITS. LES GARANTIES EXPRESSES DE LA SECTION PRÉCÉDENTE SONT EXCLUSIVES ET TIENNENT LIEU DE TOUTE AUTRE GARANTIE EXPRESSE. PAR LES PRÉSENTES, NOUS REJETONS ET EXCLUONS TOUTE AUTRE GARANTIE EXPRESSE POUR LES PRODUITS ET TOUTES LES GARANTIES TACITES PRÉVUES PAR LA LOI, DONT CELLES RELATIVES À LA QUALITÉ MARCHANDE OU À L'ADÉQUATION DU PRODUIT POUR UNE UTILISATION PARTICULIÈRE. Certains États ou provinces n'autorisent pas les restrictions sur la durée d'une garantie implicite ou l'exclusion ou la restriction des dommages indirects ou accessoires; par conséquent, les exclusions et restrictions mentionnées ci-dessus pourraient ne pas s'appliquer à votre cas. Dans la mesure où une loi applicable interdit l'exclusion de garanties implicites, la durée de toute garantie implicite applicable se limite à la période de deux ans décrite ci-dessus. L'unique objectif de toute description orale ou écrite est de présenter les Produits et celle-ci ne devrait pas être interprétée comme une garantie expresse. Avant d'utiliser ou de permettre l'utilisation des Produits, vous devez déterminer si les Produits conviennent aux utilisations prévues et vous devez assumer tout risque et toute responsabilité relatifs à ces utilisations. Nous nous réservons le droit d'utiliser des pièces reconstruites ou remises à neuf pour remplacer l'une des fonctionnalités dans le cadre de la présente garantie ou de l'une des parties de la présente garantie. L'acheteur original ne peut transférer la présente garantie et celle-ci n'est valide qu'aux États-Unis et au Canada.

Pour obtenir du service sous la garantie : Pour avoir droit à du service sous garantie, vous devez : (a) nous avertir en utilisant l'adresse ou le numéro de téléphone inscrit ci-dessous dans les soixante jours suivant la détection du défaut; (b) donner le numéro du modèle, le numéro d'identification de la pièce ainsi que le numéro de série; et (c) décrire la nature de tout défaut de la pièce ou du Produit. Au moment de faire la demande de service sous garantie, vous devrez présenter votre preuve d'achat et la preuve de la date d'achat originale. Si nous déterminons que les exclusions de la garantie énumérées ci-dessus s'appliquent ou si vous vous trouvez dans l'incapacité de nous fournir la documentation nécessaire pour obtenir du service, vous serez responsable de tous les frais d'expédition, de déplacement, de main-d'œuvre ou de tout autre coût afférent au service.

Veuillez consulter notre site Web au www.zephyronline.com pour savoir si des révisions ont été apportées à la garantie.

Zephyr Ventilation Service Department, 2277 Harbor Bay Parkway, Alameda, CA 94502 1-888-880-8368

AUG14.0401

ENREGISTRMENT DU PRODUIT

Nous vous félicitons d'avoir acheté une hotte Zephyr. Veuillez prendre un moment pour enregistrer votre nouvelle hotte au www.zephyronline.com/registration

C'EST IMPORTANT

Cet enregistrement rapide est utile à bien des égards.

- Il assure la couverture de votre garantie si vous avez besoin de service après-vente.
- À des fins d'assurance, il permet de confirmer que vous êtes le propriétaire.
- Il vous permet de recevoir des avis concernant des modifications ou des rappels de produits.



Zephyr Ventilation | 2277 Harbor Bay Pkwy. | Alameda, CA 94502 | 1.888.880.8368