

2224RGL • 24" Glass Door Refrigerator • 2000 Series

FEATURES & BENEFITS



STAINLESS FRAME



STAINLESS FRAME (LOCK)



STAINLESS FRAME (HANDLELESS PANEL)*



INTEGRATED FRAME

PERFORMANCE	<ul style="list-style-type: none"> • Volume of 4.9 cu ft holds up to 114 bottles (12 oz) or 172 cans (12 oz) • Digital Touch Pad Control is conveniently located on upper face of unit • Temperature range: 34°F - 45°F • Convection cooling system rapidly and efficiently takes items to the set temperature
INTERIOR/EXTERIOR	<ul style="list-style-type: none"> • Black interior is illuminated with LED lighting that automatically turns off when the door is closed • Three adjustable tempered glass shelves with 11 height positions • Full-extension, slide-out crisper drawer is removable for easy cleaning • LowE coated, argon gas filled triple thermopane glass door provides protection from harmful UV light • Standard commercial stainless steel handle is interchangeable with professional handle accessory • The door swing on non-lock models is field reversible and is shipped right-hand hinged • Lock models must be ordered right-hand or left-hand hinged
INTEGRATION	<ul style="list-style-type: none"> • Robust, concealed and covered hinges with built-in door stop and closer • Integrated model requires 3/4" custom panel of your choice, or can accept U-Line Euro Style Handleless Stainless Panel Accessory (must be ordered separately) • Fixed grille can accept an integrated toe-kick • Four independently adjustable leveling legs provide a precise undercounter fit

MODEL DETAILS

Model	Voltage/Hz	Door Swing	Finish	Shipping Weight
U-2224RGLS-00B	115 / 60	Field Reversible	Stainless Frame	145 lb
U-2224RGLS-13B	115 / 60	Right-Hand Hinged	Stainless Frame (Lock)	145 lb
U-2224RGLS-15B	115 / 60	Left-Hand Hinged	Stainless Frame (Lock)	145 lb
U-2224RGLINT-00B	115 / 60	Field Reversible	Integrated Frame	142 lb

ACCESSORIES

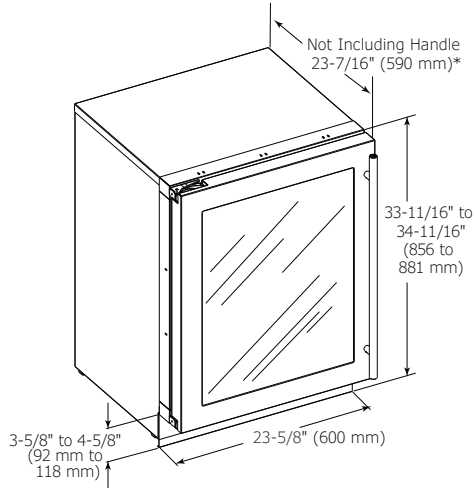
Model	Description	Finish	Shipping Weight
80-54247-00	Professional Door Handle, 1 3/4" Diameter	Stainless	2 lb
80-54214-00	Commercial Door Handle, 7/8" Diameter	Stainless	2 lb
U-ESPF60S*	Euro Style Handleless Panel, 24" Frame	Stainless	8 lb

*Installs on integrated models.

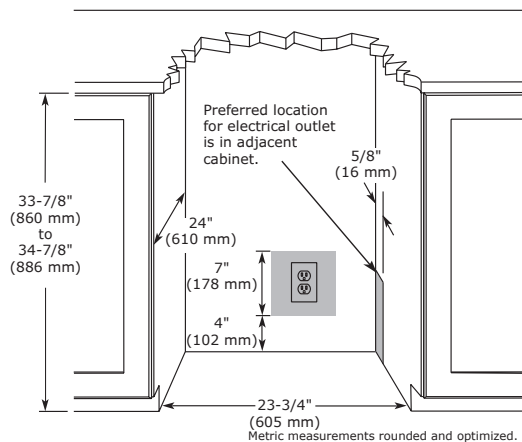
2000 Series • 24" Glass Door Refrigerator • **2224RGL**

DIMENSIONS

Dimensions shown apply to all finishes, including Integrated (INT) models with 3/4" integrated panel/frame installed.



CABINET CUT-OUT



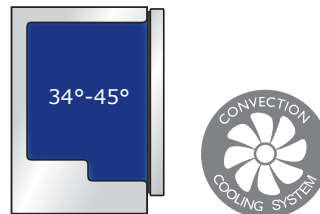
INSTALLATION NOTES

- When installing adjacent to wall, ensure 2 1/2" clearance on hinged side for 90° door opening, allowing ample room for door handle.
- No additional clearance around sides, top or rear of unit is needed for ventilation.
- Do not obstruct front grille air flow.

SPECIFICATIONS

Model	2224RGL
Amps: Running	1.2
Capacity: Bottle (12 oz)	114
Capacity: Can (12 oz)	172
Capacity: Volume (cu ft)	4.9
Control Type	Digital Touch Pad
Dimensions: Product Depth	23 7/16" / 590 mm
Dimensions: Product Height	33 11/16" / 856 mm
Dimensions: Product Width	23 5/8" / 600 mm
Energy Consumption: Avg. Per Year	270 kWh
ENERGY STAR	ENERGY STAR / Tier 1
Panel Height	30" / 762 mm
Panel Thickness	3/4" / 20 mm
Panel Type	2 3/4" / 70 mm Frame Panel
Panel Width	23 1/2" / 595 mm
Product Weight: Max	135 lb
Refrigerant Type	R600a
Sabbath (Star K Certified)	Yes
Temperature Range	34°F - 45°F

COOLING SYSTEM



ELECTRICAL REQUIREMENTS

This unit requires a grounded, polarized 115 VAC, 60 Hz, 15 A power supply (normal household current).

Please visit U-Line.com to view this model's User Guide. All specifications are subject to change without notice.

