

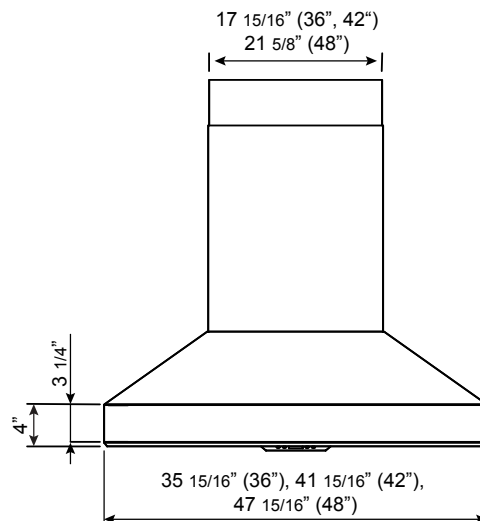
	INTERNAL BLOWER STANDARD	INTERNAL BLOWER with ACT™ AIRFLOW CONTROL TECHNOLOGY™*		
SINGLE BLOWER (INCLUDED) Min. - Max. CFM	200 - 750	200 - 590	200 - 390	200 - 290
SINGLE BLOWER (INCLUDED) Min. - Max. Sones	0.5 - 7	*AIRFLOW CONTROL TECHNOLOGY™ (ACT™) is an exclusive feature built into specific Zephyr hoods which can limit the maximum blower CFM to meet local code requirements.		
DUAL BLOWER (OPTIONAL) Min. - Max. CFM	350 - 1,300			
DUAL BLOWER (OPTIONAL) Min. - Max. Sones	1 - 8			



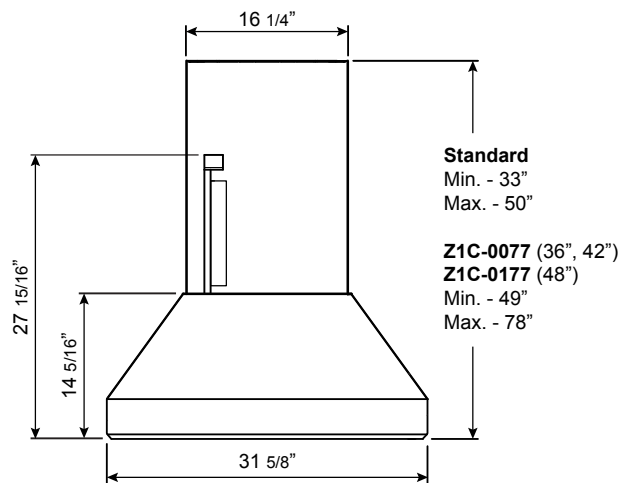
ACT™ **POWERWAVE™**



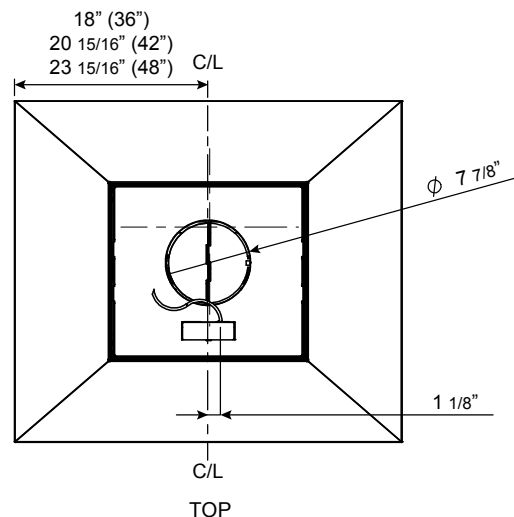
Optional Wireless Remote Control



FRONT



SIDE



TOP

MODEL

Stainless Steel	AK7736BS	AK7742BS	AK7748BS
Size	36"	42"	48"

BLOWER PERFORMANCE Included

Single Blower	200-750 CFM, 0.5-7 Sones	200-750 CFM, 0.5-7 Sones	200-750 CFM, 0.5-7 Sones
ACT 590 CFM (Min. - Max.)*	200-590 CFM	200-590 CFM	200-590 CFM
ACT 390 CFM (Min. - Max.)*	200-390 CFM	200-390 CFM	200-390 CFM
ACT 290 CFM (Min. - Max.)*	200-290 CFM	200-290 CFM	200-290 CFM
Optional Dual Blower	350-1,300 CFM, 1-8 Sones	350-1,300 CFM, 1-8 Sones	350-1,300 CFM, 1-8 Sones

FEATURES

ACT™ Technology	590, 390, 290, Single Blower Only	590, 390, 290, Single Blower Only	590, 390, 290, Single Blower Only
Controls	Electronic LCD	Electronic LCD	Electronic LCD
Speed Levels	6**	6**	6**
Auto Delay-Off	Yes	Yes	Yes
CleanAir Function	Yes	Yes	Yes
Directional Lighting	LumiLight LED, 6W x2	LumiLight LED, 6W x2	LumiLight LED, 6W x4
Dual-Level Lighting	Yes	Yes	Yes
Filters	Pro Baffle x4	Pro Baffle x4	Pro Baffle x6
Grease Collection Tray	Yes	Yes	Yes
Wireless Remote Control	Yes, Optional	Yes, Optional	Yes, Optional
Recirculating Option	No	No	No
Duct Cover Extension Option	Yes	Yes	Yes
ADA Compliant	Yes (w/ remote accessory)	Yes (w/ remote accessory)	Yes (w/ remote accessory)

DUCT SPECIFICATIONS

Vertical Single Internal Blower	8" Round	8" Round	8" Round
Horizontal Single Internal Blower	NA	NA	NA
Vertical Dual Internal Blower	10" Round	10" Round	10" Round
Horizontal Dual Internal Blower	NA	NA	NA

AC POWER (Single Blower)	120V, 60Hz at Max. 5A	120V, 60Hz at Max. 5A	120V, 60Hz at Max. 5A
AC POWER (Dual Blower)	120V, 60Hz at Max. 8A	120V, 60Hz at Max. 8A	120V, 60Hz at Max. 8A

OPTIONAL ACCESSORIES

Wireless Remote Control	14000005	14000005	14000005
Dual Internal Blower	PBD-1300B	PBD-1300B	PBD-1300B
Duct Cover Extension	Z1C-0077	Z1C-0077	Z1C-0177
Make-Up Air Kit (Single Blower)	MUA008A	MUA008A	MUA008A
Make-Up Air Kit (Dual Blower)	MUA010A	MUA010A	MUA010A

MOUNTING HEIGHT RANGE***	24" - 36"	24" - 36"	24" - 36"
--------------------------	-----------	-----------	-----------

WARRANTY	3 years parts, 1 year labor	3 years parts, 1 year labor	3 years parts, 1 year labor
----------	-----------------------------	-----------------------------	-----------------------------

CEILING HEIGHT	8'	8.5'	9'	9.5'	10'	10.5'	11'	12'	
STANDARD DUCT COVER	Ducted Mounting Height***	24" - 27"	24" - 33"	24" - 36"	28" - 36"	34" - 36"	NA	NA	NA
DUCT COVER EXTENSION	Ducted Mounting Height***	NA	NA	NA	24" - 29"	24" - 35"	24" - 36"	24" - 36"	30" - 36"

*ACT™ only available with single internal blower.

**When ACT™ is enabled the number of fan speeds will be reduced to maximum 3 speeds.

***Mounting height refers to distance between top of a 36" tall cooking surface and bottom of hood.

ACT™

Airflow Control Technology™ (ACT™)
is an exclusive feature built into specific Zephyr hoods which can limit the maximum blower CFM to meet local code requirements.

POWERWAVE™

PowerWave™ 3-Phase Blower Technology
delivers best-in-class performance with unparalleled quiet operation. It provides more power while minimizing noise and improving efficiency.

Specifications subject to change, check zephyronline.com for up-to-date information.
Zephyr Ventilation | 2277 Harbor Bay Parkway, Alameda, CA 94502 | 888.880.VENT

MAY22.0101

