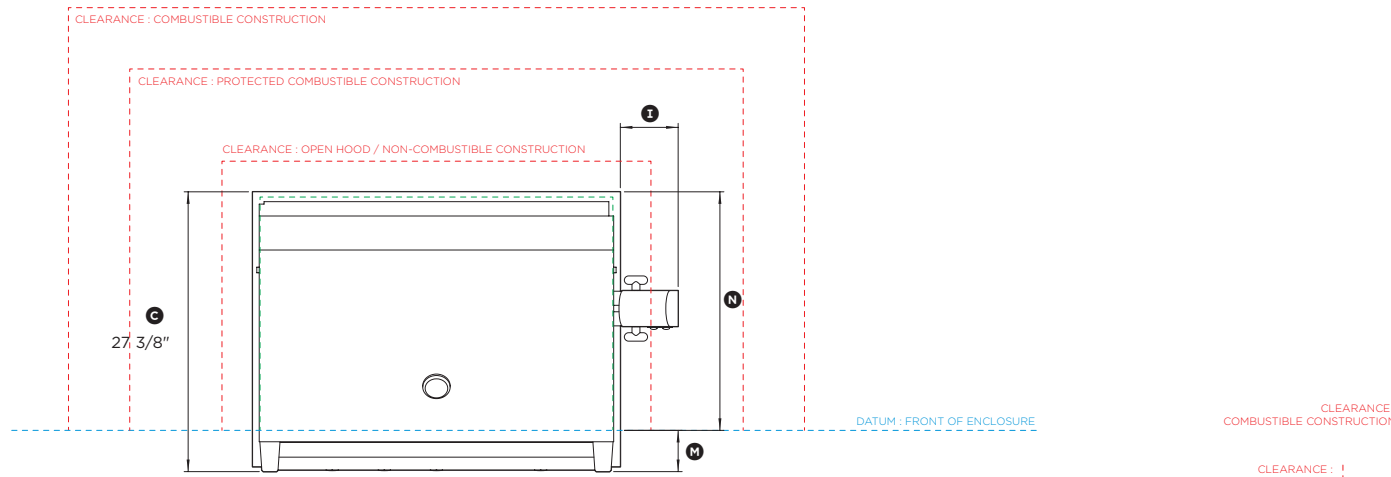


Data sheet

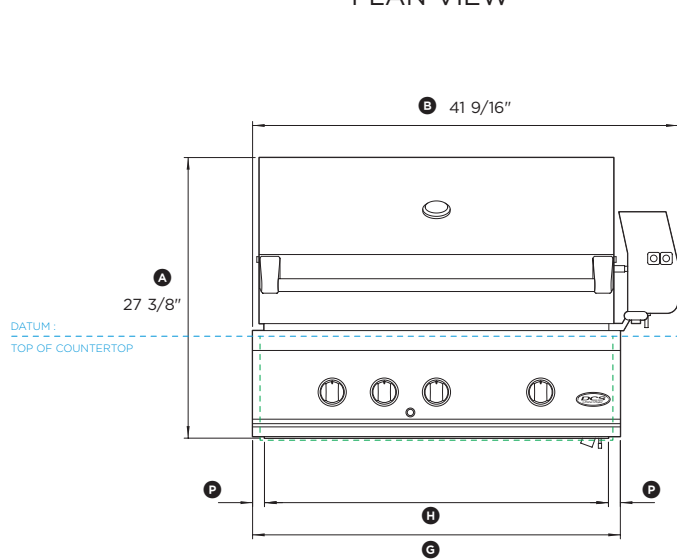
36" Outdoor Grill

Model no:

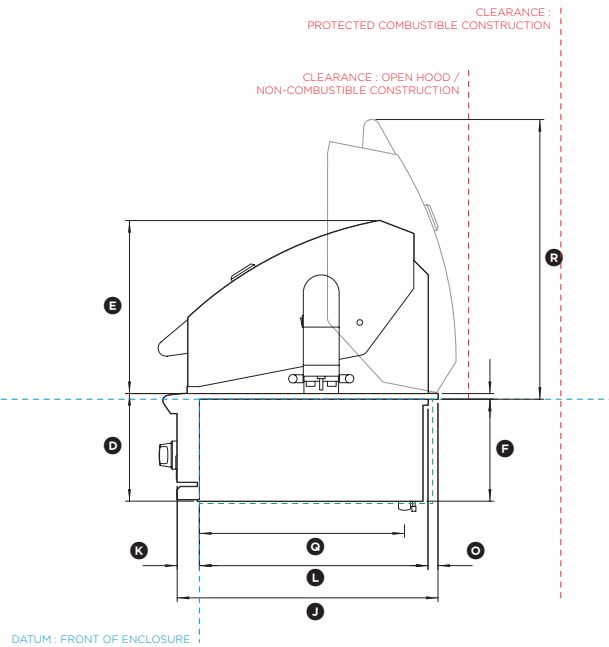
BE1-36RC (refer page 2 for metric measurements)



PLAN VIEW



FRONT VIEW



PROFILE VIEW

Dimensions	in
Ⓐ Overall height of grill	27 3/8"
Ⓑ Overall width of grill	41 9/16"
Ⓒ Overall depth of grill	27 3/8"
Ⓓ Height of chassis	10 1/2"
Ⓔ Height from top of hood to top of chassis	16 15/16"
Ⓕ Height of chassis below countertop	9 15/16"
Ⓖ Overall width of chassis	35 15/16"
Ⓗ Width of chassis inside enclosure	33 5/8"
Ⓙ Width from right side of chassis to right side of motor cover	5 5/8"
Ⓚ Depth from control panel to rear of product	25 1/2"
Ⓛ Depth from control panel to front datum	2 3/16"
Ⓜ Depth from front datum to rear of chassis below countertop	22 5/16"
Ⓝ Depth from front of product to front datum	4"
Ⓞ Depth from rear of product to front datum	23 5/16"
Ⓟ Depth of rear flange	1"
Ⓠ Width of side flanges	1 3/16"
Ⓡ Distance from gas inlet to front datum	20 1/16"
Ⓢ Height from top of open hood to top of countertop	27 3/8"

Minimum Clearances	in
Overall width of cavity	34 1/2"
Overall depth of cavity	22 3/4"
Overall height of cavity	10 1/8"
Clearance to combustible construction*	3"
Clearance to protected combustible construction*	12"
Clearance to non-combustible construction*	18"

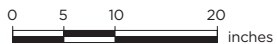
* Minimum clearance measured from grill base.

NOTE: See installation manual for full installation requirements and definitions.

INDICATES CUTOUT
 INDICATES PRODUCT DATUM
 INDICATES CLEARANCES

DATE: 19.02.2019

IMPORTANT NOTE: Throughout this guide, dimensions may vary by ±2mm (1/16"). Please read the installation manual for detailed information on installing the product. For full installation instructions & specifications visit www.dcsappliances.com

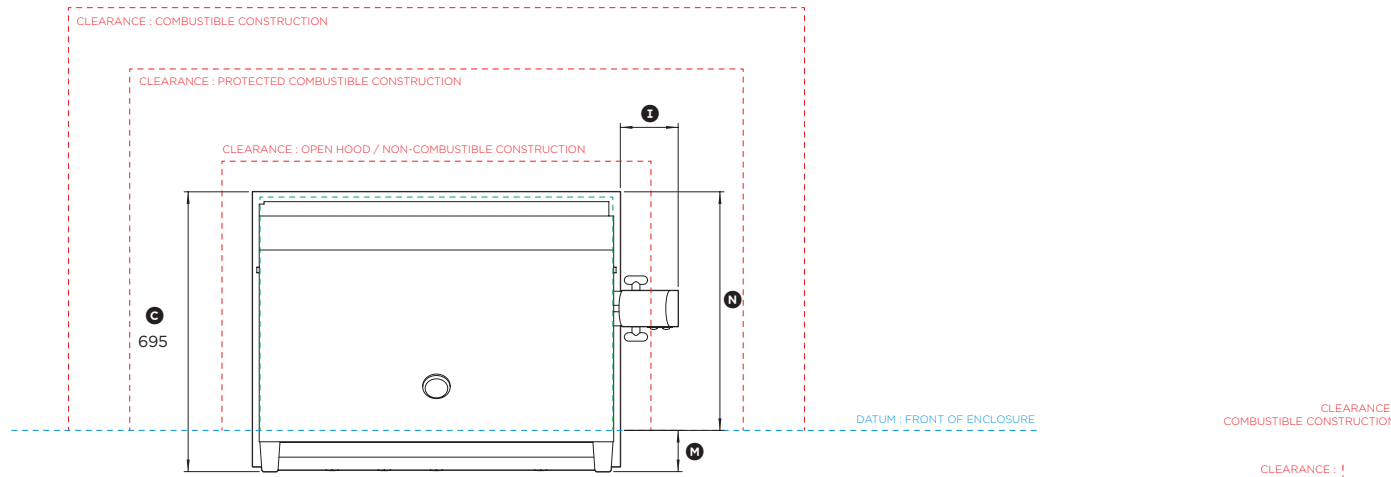


Data sheet

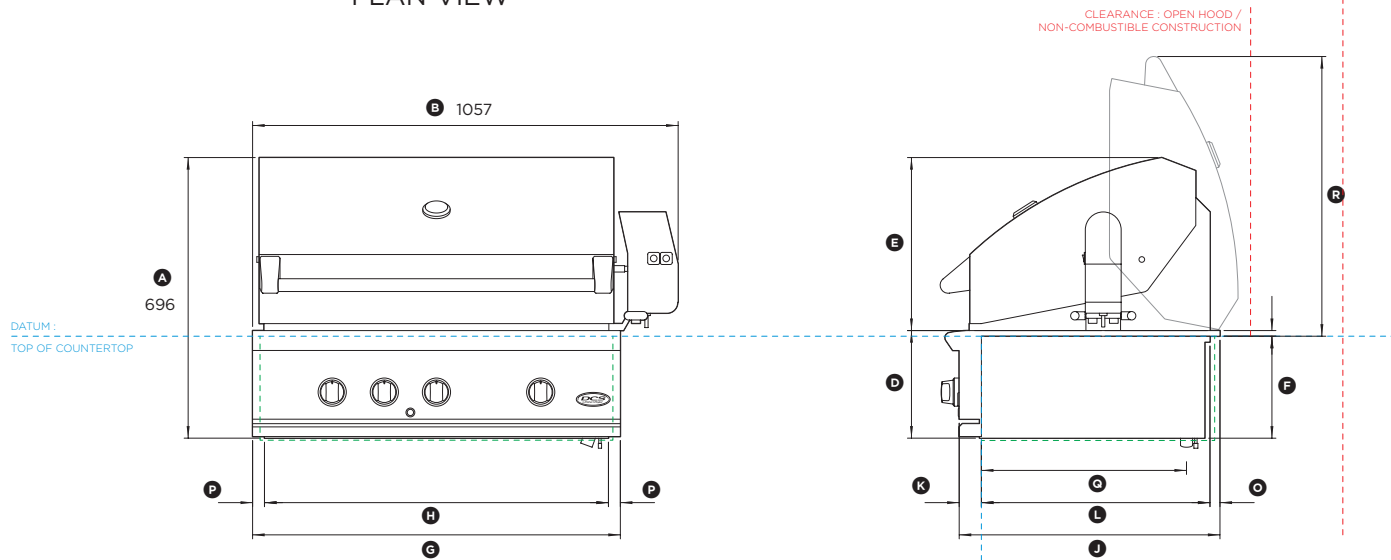
36" Outdoor Grill

Model no:

BE1-36RC (refer page 1 for imperial measurements)



PLAN VIEW



FRONT VIEW

PROFILE VIEW

Dimensions	mm
Ⓐ Overall height of grill	696
Ⓑ Overall width of grill	1057
Ⓒ Overall depth of grill	695
Ⓓ Height of chassis	267
Ⓔ Height from top of hood to top of chassis	430
Ⓕ Height of chassis below countertop	253
Ⓖ Overall width of chassis	912
Ⓗ Width of chassis inside enclosure	854
Ⓘ Width from right side of chassis to right side of motor cover	144
Ⓚ Depth from control panel to rear of product	647
Ⓛ Depth from control panel to front datum	55
Ⓛ Depth from front datum to rear of chassis below countertop	567
Ⓜ Depth from front of product to front datum	102
Ⓝ Depth from rear of product to front datum	592
Ⓟ Depth of rear flange	25
Ⓠ Width of side flanges	29.5
Ⓡ Distance from gas inlet to front datum	509
Ⓢ Height from top of open hood to top of countertop	695

Minimum Clearances	mm
Overall width of cavity	876
Overall depth of cavity	578
Overall height of cavity	257
Clearance to combustible construction*	76
Clearance to protected combustible construction*	305
Clearance to non-combustible construction*	457

* Minimum clearance measured from grill base.

NOTE: See installation manual for full installation requirements and definitions.

INDICATES CUTOUT
 INDICATES PRODUCT DATUM
 INDICATES CLEARANCES

DATE: 19.02.2019

IMPORTANT NOTE: Throughout this guide, dimensions may vary by ±2mm (1/16"). Please read the installation manual for detailed information on installing the product. For full installation instructions & specifications visit www.dcsappliances.com

