

**Model No. C1P36**



## Features:

- Intuitive digital touch control
- Dual fan, auger & drip tray
- Smart drop™ pellet feed
- Front loading pellet hopper
- Spring assist hood
- Double-walled canopy with gasket
- Versa-Rack™ for multiple cooking surfaces
- 304 Stainless steel
- Interior grill lighting
- Led light for temperature probes
- Laser cut grates
- Built-in timer & wind guard
- 3 food temperature probes included
- Electric power ignition (120V; 5A; 60HZ)
- Individual smoke & sear grate included
- Hopper capacity of 15 lbs
- Temperature range of 175°F - 700°F

## Dimensions:

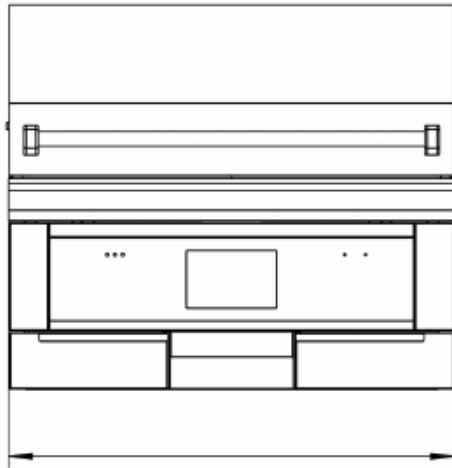
- Cutout: (H) 16 1/2" X (W) 34 1/4" X (D) 23"
- Overall: (H) 31" X (W) 36" X (D) 27"

## Accessories:

- Insulated jacket (CJAKTC1P36)
- Cover (CCVR36P-BI)

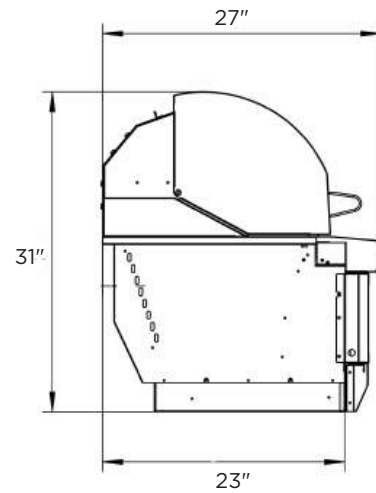
# C1P36 PRODUCT SPECS

## DIMENSIONAL RENDERINGS



36"

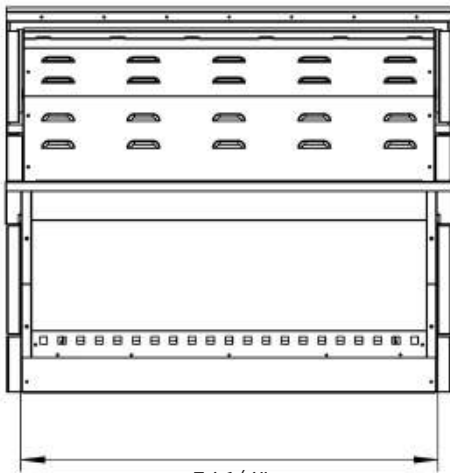
FRONT VIEW



31"

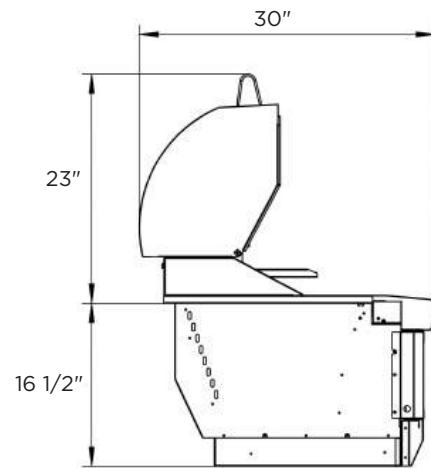
23"

SIDE VIEW



34 1/4"

REAR VIEW



23"

16 1/2"

SIDE VIEW

Overall Product Dimensions			
Model No.	Height	Width	Depth
C1P36	31"	36"	27"
CJAKTC1P36	17 3/4"	37 3/4"	24 3/4"

Cutout Dimensions for Island			
Model No.	Height	Width	Depth
C1P36	16 1/2"	34 1/4"	23"
CJAKTC1P36	17 1/4"	35 1/4"	22 1/2"

✓ When using a Coyote insulated jacket, you will want to build your island to the jacket's Cutout and Overall Dimensions listed above (detailed on 2nd page). Once the jacket is installed, the grill will rest on/inside the insulated jacket

Model No.	BTU/HR	Amps	Electrical Requirements
C1P36	8,000	5	120V 60Hz Grounded Plug

**Important Note to Installer:** This file is not intended to replace your Owners' Manual which contains specific safety requirements and consumer guidelines. Please refer to your Owners' Manual prior to installing or operating your built-in grill.