

CBGS3028S/CBGS3628S

30" and 36" Gas Cooktop

- LED Illuminated Knobs
- UltraHeat™ Dual Burner
- 24K Center Burner
- EasyClean® Cooktop
- Cast Iron Grate
- 5 Sealed Gas Burners
- Child Lock



SUMMARY	
Series	LG Studio
Type	30" Gas Cooktop / 36" Gas Cooktop
No. of Burners	5
Color	Stainless Steel
CONTROL FEATURES	
Cooktop Control Type	Knob
Control Location	Front - Center
COOKTOP FEATURES	
Cooktop Burner Type	Sealed Gas Burner
No. of Burners	5
Burner/BTU - Left Rear	10000/7500
Burner/BTU - Right Rear	5000/4000
Burner/BTU - Left Front	10000/7500
Burner/BTU - Right Front	13500/14000
Center (Warming Zone) (BTU)	24000/16000
Burner Simmer / BTU - Left Rear	1270
Burner Simmer / BTU - Right Rear	670
Burner Simmer / BTU - Left Front	1270
Burner Simmer / BTU - Right Front	1300
Center (Warming Zone)	650
APPEARANCE	
All Available Colors	Stainless Steel
Handle / Knobs Colors	Stainless Steel
Knobs	Aluminum
Cooktop Finish	Stainless Steel

ACCESSORIES	
Griddle	1
Conversion Kit	Yes
DIMENSIONS / CLEARANCES / WEIGHT	
Product (W x H x D)	30" x 3 3/4" x 21 11/16" / 36" x 3 3/4" x 21 11/16"
Cut-out (W x H x D)	28 1/2" x 19 5/8" / 33 7/8" x 19 5/8"
Packing (W x H x D)	33 31/32" x 9 17/32" x 25 25/64" / 39 29/64" x 9 17/32" x 25 25/64"
Product Weight (lbs)	58.93 lbs. / 73.86 lbs.
Shipping Weight (lbs)	67.77 lbs. / 82.7 lbs.
POWER/RATINGS	
kW at 120V	120V 60Hz / 0.12A
Requirements	120 V / 60Hz AC
LIMITED WARRANTY	
Parts and Labor	2 Years
UPC CODES	
CBGS3028S (Stainless Steel)	195174040973
CBGS3628S (Stainless Steel)	195174040980

CBGS3028S/CBGS3628S

30" and 36" Gas Cooktop

QUICK INSTALL & CLEARANCES

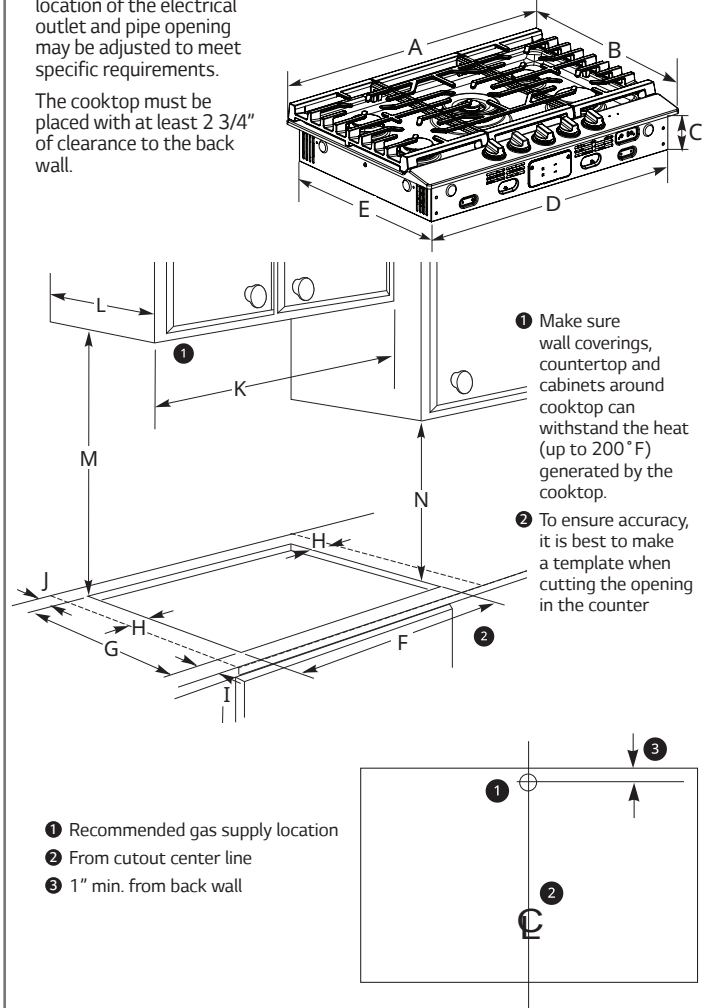
For full installation directions/clearances please refer to the corresponding User Manual and Installation Guide.

DIMENSIONS	30" Cooktop	36" Cooktop
A Width of upper plate	30"	36"
B Depth of upper plate	21 11/16"	
C Height of cooktop base	3 3/4"	
D Width of cooktop base	28 1/4"	33 5/8"
E Depth of cooktop base	19 3/8"	
F Width of cutout	28 1/2"	33 15/16"
G Depth of cutout	19 11/16"	
H Distance from cutout to side wall on the left of unit. / Distance from cutout to side wall on the right of the unit.	≥ 11 13/16"	
I Distance from front edge of cutout to front edge of countertop	≥ 1 5/8"	
J Distance between cutout and the wall behind the cooktop	≥ 2 3/3"	
K Width of unprotected overhead cabinets	≥ 30"	≥ 36"
L Depth of unprotected overhead cabinets	≤ 13"	
M Clearance from countertop to unprotected overhead surface	≥ 30"	
N Clearance from countertop to nearest cabinet on either side of unit	≥ 18"	
Carton Dimensions (in) (W x H x D)	33 31/32" x 9 17/32" x 25 25/64"	39 29/64" x 9 17/32" x 25 25/64"
Power / Ratings		
kW at 120V	120V 60Hz / 0.12A	
Requirements	120 V / 60Hz AC	

DIMENSIONS AND CLEARANCES

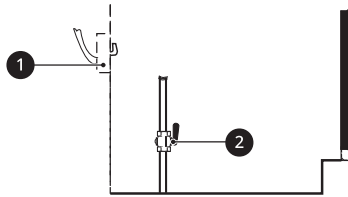
Provide enough clearance between the cooktop and adjacent combustible surfaces. These dimensions must be met for safe use of your cooktop. The location of the electrical outlet and pipe opening may be adjusted to meet specific requirements.

The cooktop must be placed with at least 2 3/4" of clearance to the back wall.

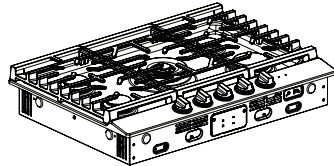


INSTALLING THE COOKTOP UNIT

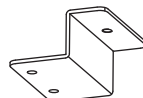
Locate the electrical outlet and gas shut-off valve beneath the cabinet. Never reuse old flexible connectors. Install a manual shut-off valve 2 in the gas line in an easily accessible location outside the cooktop. Be sure you know how and where to shut off the gas supply to the cooktop. Install the electrical outlet 12" 1 below the countertop.



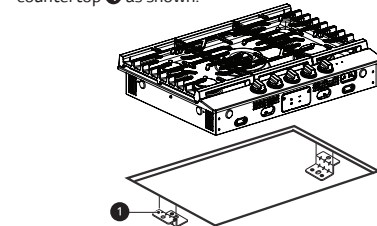
Carefully lower the cooktop into the countertop cutout, making sure not to trap any wires.



Remove the retainer brackets from the literature package.



Install the retainer brackets 1 to the bottom of the cooktop unit 2, then snug the screws 3 against the bottom of the countertop 4 as shown.



NOTE The retainer brackets MUST be installed to meet local codes or, in their absence, the National Electrical Code ANSI/NFPA No. 70, latest edition.

