

CS 1327 Y
CombiSets
with electric Tepan Yaki

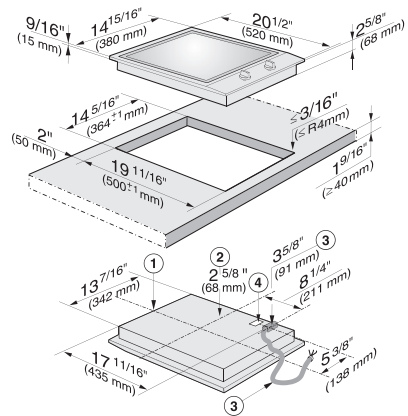


- Professional design – Stainless steel surface, 15 (380) in (mm) wide
- Particularly versatile – 2 separately controlled heating areas
- Particularly versatile – fry, grill, braise, sauté, etc.
- Easy and direct controls -operation via metal rotary dial control
- Very convenient, safe – operating and residual heat indicator

EAN: 4002514997995 / Material number: 07890140 / Old Material Number: 27132750USA

Heating type	
Fuel type	Other type of heating
Construction type	
ProLine	•
Design	
Stainless steel frame	•
Proud installation	•
Stainless steel Tepan Yaki surface	•
1st cooking zone/cooking area	
Position	In front
Size in mm	Ø 190 / 190x290
Max. rating in W	1300
2nd cooking zone/cooking area	
Position	Rear
Size in mm	Ø 190 / 190x290
Max. rating in W	1300
Control panel	
Operation via knobs	•
Safety	
Residual heat indicator	•
Technical data	
Dimensions (width) in in. (mm)	15 (380)
Dimensions (height) in in. (mm)	4 3/4 (118)
Built-in height with mains connection box in in. (mm)	3 5/8 (91)
Depth in in. (mm)	20 1/2 (520)
Cutout dimensions in mm (width) with surface-mounted installation	14 3/8 (364)
Cutout dimensions in mm (depth) with surface-mounted installation	19 3/4 (500)
Weight in lbs. (kg)	22 (10)
Total connected load in kW	2.60
Power cord length in in. (m)	6 (2.0)
Voltage in V	240
Frequency in Hz	60
Accessories supplied	
Number of mains cables with plug	Yes

CS 1327 Y
CombiSets
with electric Tepan Yaki



CS 1327 Y (Installation drawing) – USA

- 1) Appliance front, 2) Installation height, 3) Power supply box with Connection cable, L = 78 3/4" (2000 mm), 4) Rating label