

CS 2090

Freestanding / Semi Built-in

LIEBHERR

Refrigeration and Freezing



home.liebherr.com

CS 2090

Energy consumption (kWh/y)	550
Estimated Yearly Energy Cost* in US \$	77
Sound rating** dB(A)	45
Refrigerator capacity cu.ft. (l)	13.5(382)
BioFresh compartment cu.ft. (l)	-
Freezer capacity cu.ft. (l)	6.0 (170)
Electronic control	MagicEye with digital temp. display, touch electronic
Defrost type	Automatic
Interior light	LED light column / LED ceiling
Number of shelves	3
Number of door racks	6
Number of drawers	3
Number of freezer drawers	2
Refrigerator Temperature range °F (°C)	+36°F to +43°F (+2°C to +6°C)
Freezer Temperature range °F (°C)	+7°F to -17°F (-14°C to -27°C)
Water filter	Yes
Ice maker	Fixed water connection
Ice cube output lbs. (kg.)	3.1 (1.4)
Ice cube stock lbs. (kg.)	6(2.7)
Door hinges	right
Product dimensions	
in inch (H/W/D)	79 13/16" / 35 7/8" / 24 1/16"
in cm (H/W/D)	202.7/91/61.5
Cut out dimensions	
in inch (H/W/D)	80" / 35 7/8" / 24 1/16"
in cm (H/W/D)	203.2/91.5/61
Net weight lbs. (kg)	381.4(173.0)
Voltage V/Hz	115/60

* Energy Cost will depend on utility rates and use. Estimated energy cost based on a national average electricity cost of 14 cents per KWh.

** Noise output – according to EN 60704-3



Accessories

Water Filter 9880980/7440002

**Top Ventilation Grill
84" cabinets, single unit** 9900 277

Features

Duo Cooling

Lengthen the shelf life and preserve the flavor of your foods with a dual refrigeration system that creates ideal conditions in both the refrigerator and freezer.

Ice Maker

Liebherr's automatic IceMaker produces perfect ice cubes and keeps a constant supply on hand for every occasion.

Telescopic Rails

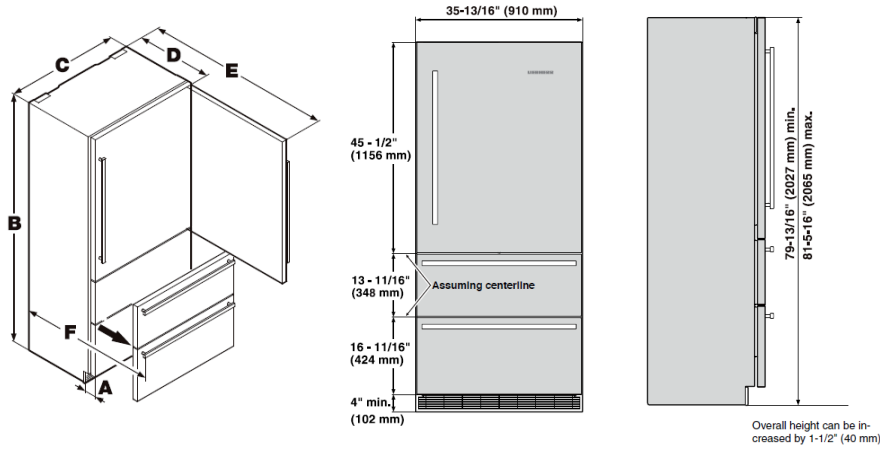
Store food securely within reach thanks to fully extendable pull-out drawers. The SoftTelescopic system provides convenient and reliable self-retraction with soft closing.

Super Cool

Generates greater cold reserves so that freshly stored food can be rapidly chilled. Reversion from the chilling temperature of +35.6°F to the normal refrigeration temperature is time or quantity-controlled to help save energy.

Diagrams

Product Dimensions



- A. 3-9/16" (92 mm)
- B. 79-13/16" (2027 mm)
- C. 35-13/16" (910 mm)
- D. 24-1/4" (616 mm)
- E. 58-5/8" (1489 mm)
- F. 39-1/2" (1003 mm)

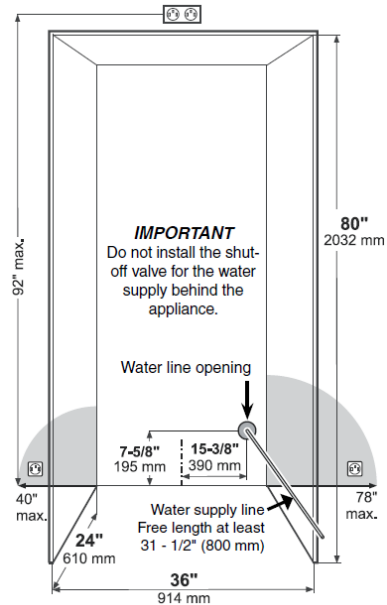
When installing CS 20 units into a row of cabinets or wall units, use these dimensions to achieve a custom look with the cabinetry. Consider the necessary clearance for the top door hinge with CS 20 units.

Semi built-in look - Cut out dimensions

The appliance can be used freestanding or semi built-in. If semi built-in, consider the cabinet opening dimensions specified below.

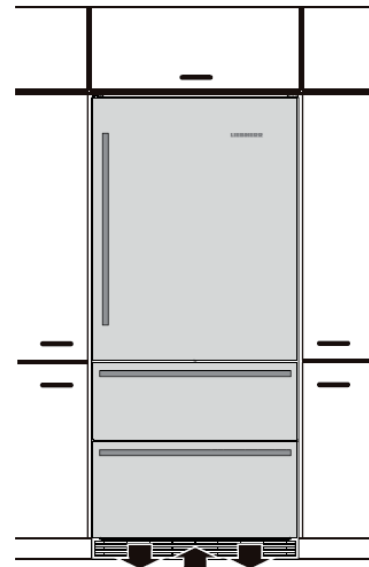
Minimum opening height for the single door 36" models is 80".

The requirements for water supply and electrical outlet are the same for both applications.



IMPORTANT
With 24" depth cabinets, the water line opening must be in the location as shown as there will not be room to route a water line behind the appliance for risk of pinching. Also, for this cabinet depth the electrical outlet cannot be behind the unit or the unit will not be able to be pushed all the way back into the opening. With cabinets deeper than 24" there is room to fit the pipe behind the appliance and the wall so there are no requirements for the water line lead out position.

Ventilation Requirements



CS 20 appliances don't need any ventilation openings in the cabinet. The required airflow is directed through the toe kick area.

It is important to use the provided cover grille for the ventilation opening. This opening must not be covered with a cabinet base.