

Miele

43" Ceiling Extractor

DA 2818



Shown: DA 2818
Please note: This information is subject to change

mieleusa.com
Specification Sheets TRS 11072018

43" Ceiling Extractor

SPECIFICATIONS	
Overall Unit Dimensions	43 ⁵ / ₁₆ " (1100 mm) W x 12 ¹ / ₈ " (308 mm) H x 27 ⁹ / ₁₆ " (700 mm) D
Built-In	
Opening Dimensions	38 ⁹ / ₁₆ " (980 mm) W x 5 ⁵ / ₈ " - 1 ³ / ₈ " (16 - 35 mm) H x 21 ⁷ / ₈ " (556 mm) D
Recommended Distance From Cooktop	27 ⁹ / ₁₆ " - 51 ³ / ₁₆ " (700 - 1300 mm) Please note that the greater the distance from the cooktop, the less effective the hood is at drawing in the cooking vapors.
Fan	
Fan Speeds	4
Maximum CFM	625 CFM, (Reducing Collar is available to reduce air flow to less than 400 CFM)
Duct	
Recommended Duct Diameter	6" (150 mm)
Electrical	
Electrical Requirements	120V, 60Hz, 15A
Power Cord	Molded NEMA 5-15 plug, 2.5 ft (0.75 m)
Shipping	
Shipping Weight	71 lbs (32.2 kg)
Shipping Dimensions	53 ³ / ₄ " W x 21 ⁵ / ₈ " H x 34 ¹ / ₁₆ " D
Optional Accessories	
Recirculation Kit	DUU 2900-900
OdorFree Charcoal Filter (Used with DUU 2900-900)	DKF 18-900 (x2)
CFM Reducing Collar	R2000
Support	
Call Miele	(800) 999-1360
Miele Website	www.mieleusa.com
20/20 Link	2020technologies.com



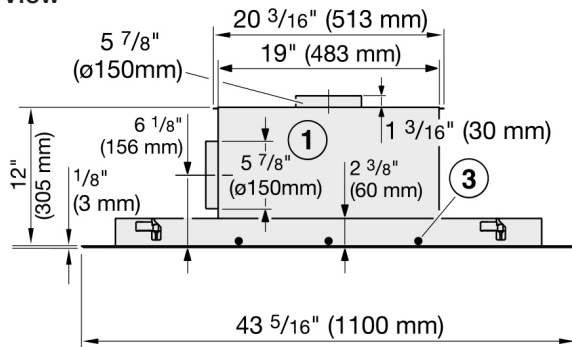
DA 2818
Item 28281855USA

43" Ceiling Extractor

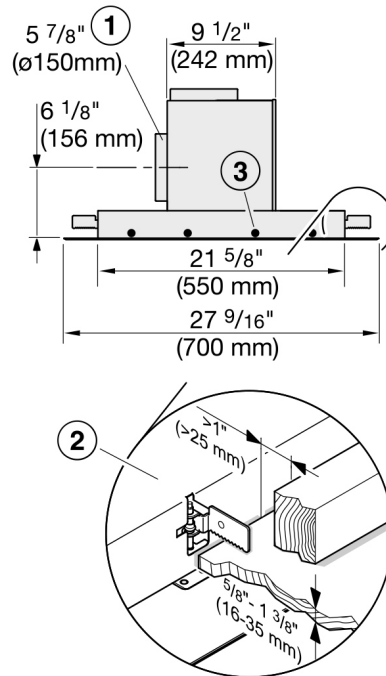
INSTALLATION SPECIFICATIONS

Product Details

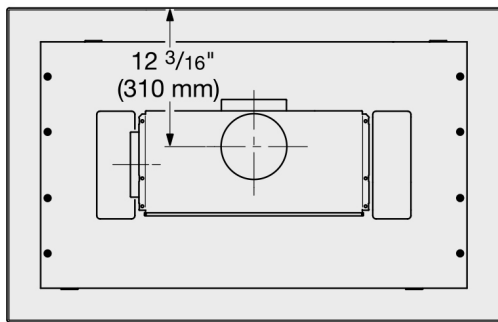
Front View



Side View

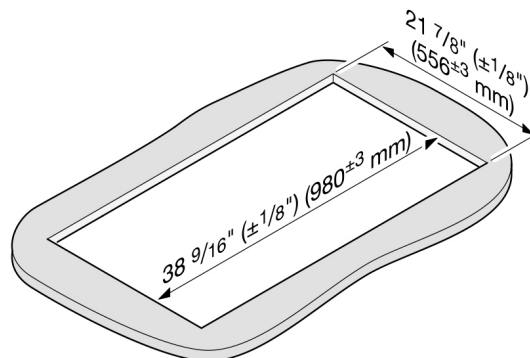


Top View



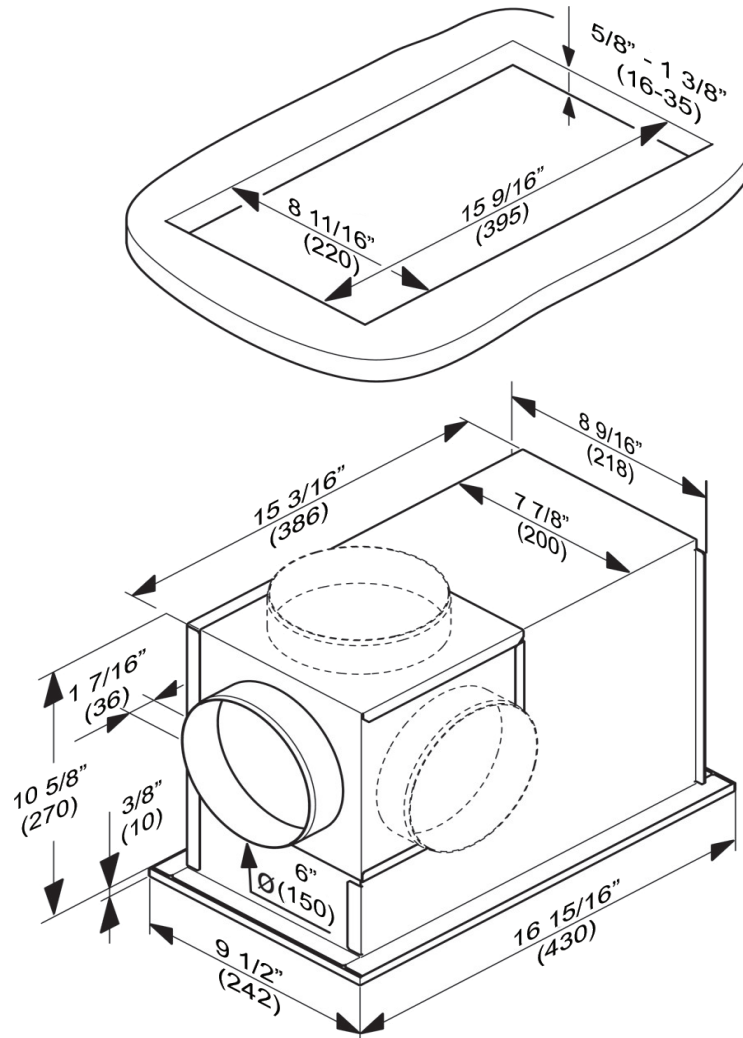
- ① Exhaust connection can be made on the top, left side and rear of the ventilation blower box.
- ② The ventilation hood is fastened in the cut-out using clamps. A solid installation surface, e.g., made of wood, is required. Make sure that the structure can support the load. Around the clamps, components such as supports and ducting must be at least 1" (25 mm) from the cut-out.
- ③ There are additional fixing points on the installation surface.

Niche/Cutout Details



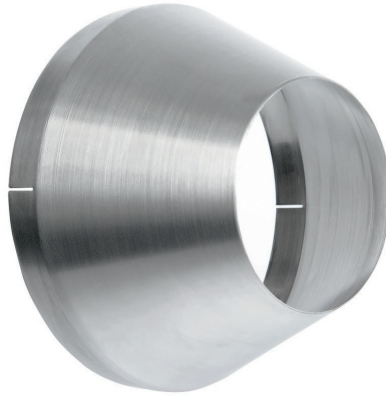
43" Ceiling Extractor

Recirculation Kit DUU 2900-900
(Optional Accessory)



43" Ceiling Extractor

Reducing Collar (Optional Accessory)



If you would like to reduce the environmental impact of your ventilation system by limiting the CFM output the Reducing Collar can be installed. It reduces the air flow to less than 400 CFM. Check local building codes for maximum CFM requirements.