

DA 6498 W Pure Grey

Wall mounted cooker hood

with energy-efficient LED lighting and touch controls for simple operation.



- Lots of headroom – 899mm wide with an exclusive glass design
- Unique user convenience – Con@ctivity
- Powerful - 610m<sup>3</sup>/h on the booster setting
- Energy-efficient and quiet - powerful ECO motor
- Safe and easy to clean - Miele CleanCover

EAN: 4002515961292 / material number: 10805790

<b>Construction type</b>	
Wall mounted cooker hood	•
<b>Design</b>	
Colour	Graphite grey
Edge extraction	•
<b>Operating modes</b>	
Type of air guide	Convertible
Active charcoal filter (order separately)	DKF25-1
<b>User convenience</b>	
Electronic controls	•
Touch-on-glass controls	•
Miele@mobile app	•
Power levels (number without Booster level)	3
Booster level	•
Programmable Booster level switch-off	•
Run-on time 5 / 15 min.	•
Grease filter saturation indicator programmable	•
Active charcoal filter saturation indicator programmable	•
<b>Cleaning convenience</b>	
CleanCover	•
<b>Efficiency and sustainability</b>	
PowerManagement system	•
ECO package	•
<b>Appliance networking</b>	
Miele@home	•
WiFiConn@ct	•
MobileControl	•
ShopConn@ct	•
Automatic function Con@ctivity 3.0 (WiFi)	•
<b>Filter system</b>	
Number of dishwasher-safe stainless steel grease filters	1
<b>Lighting</b>	
LED	•
Light intensity in Lx	440
Colour temperature in K	3,500
Dimmer function	•
<b>Fan</b>	
Dual-action fan	•
ECO motor (DC motor)	•

DA 6498 W Pure Grey

Wall mounted cooker hood

with energy-efficient LED lighting and touch controls for simple operation.



<b>Air throughput with max. duct diameter in extraction mode (not for external version)</b>	
Air throughput in Level 1 (m <sup>3</sup> /h)	180
Air throughput in Level 2 (m <sup>3</sup> /h)	280
Air throughput in Level 3 (m <sup>3</sup> /h)	380
Air throughput in Booster level (m <sup>3</sup> /h)	610
Sound power in Level 1 (dB(A) re 1 pW)	37
Sound power in Level 2 (dB(A) re 1 pW)	45
Sound power in Level 3 (dB(A) re 1 pW)	53
Sound power in Booster level (dB(A) re 1 pW)	64
Sound pressure in Level 1 (dB(A) re 20 µPa)	22
Sound pressure in Level 2 (dB(A) re 20 µPa)	31
Sound pressure in Level 3 (dB(A) re 20 µPa)	38
Sound pressure in Booster level (dB(A) re 20 µPa)	49
<b>Air throughput in recirculation mode</b>	
Air throughput in Level 1 (m <sup>3</sup> /h)	110
Air throughput in Level 2 (m <sup>3</sup> /h)	190
Air throughput in Level 3 (m <sup>3</sup> /h)	330
Air throughput in Booster level (m <sup>3</sup> /h)	490
Sound power in Level 1 (dB(A) re 1 pW)	42
Sound power in Level 2 (dB(A) re 1 pW)	51
Sound power in Level 3 (dB(A) re 1 pW)	60
Sound power in Booster level (dB(A) re 1 pW)	69
Sound pressure in Level 1 (dB(A) re 20 µPa)	28
Sound pressure in Level 2 (dB(A) re 20 µPa)	36
Sound pressure in Level 3 (dB(A) re 20 µPa)	46
Sound power in Booster level (dB(A) re 1 pW)	54
<b>Safety</b>	
Safety switch-off	•
Single pane tempered glass	•
<b>Technical data</b>	
Overall height for extraction mode and external mode cooker hoods in mm	550
Overall height for recirculation mode cooker hoods in mm	550
Canopy width in mm	899
Canopy height in mm	550
Canopy depth in mm	530
Minimum height above electric hobs in mm	450
Minimum height above gas hobs (max. 12.6 kW total power, burner ≤ 4.5 kW) in mm	650
Net weight in kg	25.0
Length of supply lead in m	1.5
Standard plug fitted	•
Hard-wired connection	•
Total rated load in kW	0.09
Voltage in V	230
Fuse rating in A	10
Number of phases	1
<b>Installation notes</b>	
Extraction ducting connection at top	•
Extraction connection at top and rear	•
Diameter of extraction ducting connection in mm	150

DA 6498 W Pure Grey  
Wall mounted cooker hood  
with energy-efficient LED lighting and touch controls for simple operation.



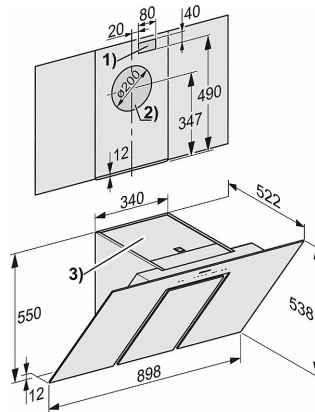
#### Standard accessories

Non-return flap

Adapter to reduce ducting diameter from 150 mm to 125 mm Ø

- 
-

DA 6498 W Pure Grey  
Wall mounted cooker hood  
with energy-efficient LED lighting and touch controls for simple operation.



DA 6498 W (installation drawing)

1) Cut-out for cooker hoods with hard-wired connection rather than a plug. 2) Opening for ducting connection at the back. Vent Connection alternatively to the top. 3) Ventilation grille positioned at the top for recirculation. A distance of at least 300 mm must be maintained between the top of the appliance and the ceiling or any furniture units installed above the appliance.