

Incognito Wall  
Ventilation Hood

DA 6596 W



# Incognito Wall Ventilation Hood

## DA 6596 W



### FEATURES

- NEW: LED ClearView lighting
- NEW: Con@ctivity — communication between hood and cooktop
- Front-mounted backlit controls
- Four fan speeds (incl. intensive)
- Removable, dishwasher-safe stainless steel grease filter
- Glass or stainless steel panels\* for covering the stainless steel grease filter (**sold separately**); dishwasher safe for easy clean-up
- Filter saturation indicator (grease and charcoal filter)
- Delayed shutdown for 5 or 15 minutes
- Automatic shutdown of intensive level, programmable for 10 minutes
- Polished stainless steel logo
- Stainless steel finish or RAL color options

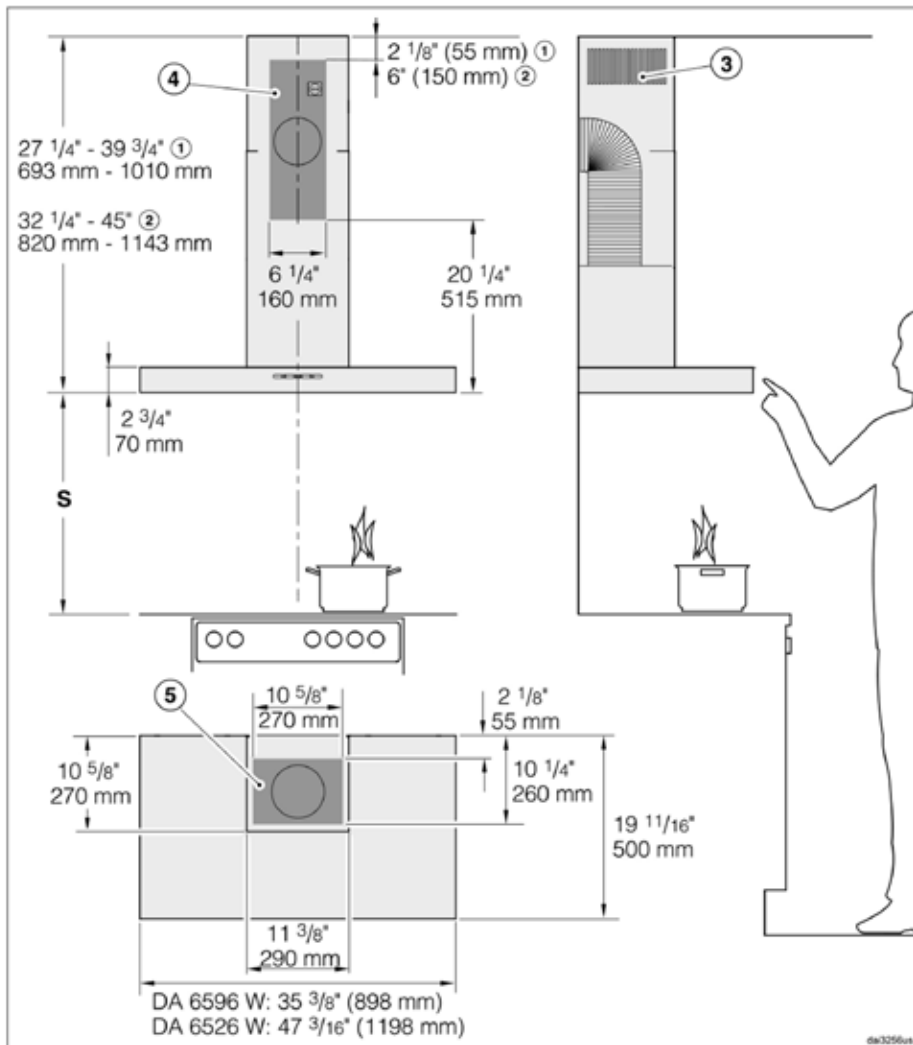
### SPECIFICATIONS

DA 6596 W — Item 28659650USA

Vented or Recirculating	625 CFM setting
Canopy Dimensions	35 <sup>3</sup> / <sub>8</sub> " (898mm) W x 2 <sup>3</sup> / <sub>4</sub> " (70mm) H x 19 <sup>1</sup> / <sub>16</sub> " (500mm) D
Dimensions (Standard Height) - Vented	27 <sup>1</sup> / <sub>4</sub> " — 39 <sup>3</sup> / <sub>4</sub> " (693—1010mm) H
Dimensions (Standard Height) - Recirculating	32 <sup>1</sup> / <sub>4</sub> " — 45" (820—1143mm) H
Chimney Dimensions	11 <sup>3</sup> / <sub>8</sub> " (290mm) W x 10 <sup>5</sup> / <sub>8</sub> " (270mm) D
Minimum distance above cooktop	Please refer to page 26 of the installation manual
Color	Available in brushed stainless steel or RAL colors
<b>Electrical</b>	
Electrical Requirements	120 V, 60 Hz, 15 Amps
Power Cord	Molded plug 2.5 ft (0.75m) NEMA 5-15
Electrical Rating	359 W (Blower: 350 W; Lighting: 3x3 W)
<b>Optional Accessories</b>	
Recirculating Kit	DUW 20 Recirculating Kit
OdorFree Charcoal Filter	DKF 12-1 OdorFree Charcoal Filter
Reducing Collar (air flow max. 400 CFM)	
<b>Shipping</b>	
Shipping Weight	55 lbs (25kg)
<b>Support</b>	
Call	800.843.7231
20/20	☎2020technologies.com

# Incognito Wall Ventilation Hood DA 6596 W

## PRODUCT VIEW



The drawing is not to scale.

- ① Extraction
- ② Recirculation (only DA 6596 W)
- ③ Air vent positioned at the top for recirculation
- ④⑤ Installation area (only ④ is required for recirculation ventilation hoods). Wall and ceiling area for exhaust duct opening and for wall socket installation. Only the wall socket installation is required for recirculation hoods.

Vent collar  $\varnothing$  6" (150 mm), with adapter  $\varnothing$  5" (125 mm).

PLEASE NOTE: The majority of the weight of the installed ventilation system will be supported by the lower retaining plate. It must be firmly attached to the stud framing behind the drywall. If studs are not available in the required locations, a plywood backing (min. 1/2" (13 mm) thick) spanning at least two studs must be installed. Failure to adequately support the weight as stated may result in the ventilation system falling off the wall, causing personal injury and property damage.