

A FLAT CANOPY ISLAND RANGEHOOD. A newly styled flat canopy island rangehood. The new and improved dama isola hood with LED Lights, VAM - cfm adjustment and baffle filters, provides great performance at a value.

Now With
Variable Air Management
Adjust CFM for
your local codes

UPDATED



AVAILABLE MODELS

Model #	Size / Color	Set your CFM Level	Sound Levels (sones)
DAMAIS36SSV	36 Stainless	295, 395, 600 CFM	2.8 - 7.5 sones
DAMAIS42SSV	42 Stainless	295, 395, 600 CFM	2.8 - 7.5 sones

Note: set to 600 CFM motor class out of the box

KEY FEATURES



Seamless Chimney

installation is made simple and seamless chimneys give a more refined look to the hood.



Easy Island Mounting System

Island mounting to the ceiling & adjustments made easy with the easy mount system.



Remote Control (optional)

Control all features of the hood from the convenience of a wireless ADA compliant remote control.(sold separately)



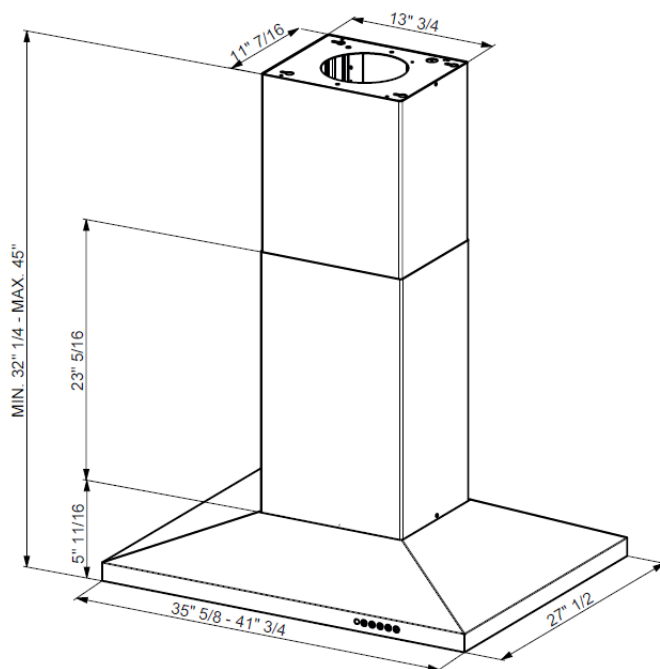
Backlit electronic controls

Backlit electronic controls with a White LED light to indicate the current speed and LED lighting. Now you can adjust CFM's at installation from the control buttons.

SPECIFICATIONS

min / max ceiling height	7' 8 1/4" - 9' 3"
convertible to ductless / recirculating	yes - with DUCT2
canopy depth / height	27 1/2" d 5 11/16" h
high ceiling kit	yes - reaches up to 10' 10" 1/8" ceilings
controls	4 speed electronic w/ white LED
Variable Air Management	Yes (set to 295, 395, 600 CFM)
lighting	4 X 5 W LED
ducting top	6" round
grease filters	dishwasher safe stainless steel baffle
quick island mounting	yes
10 minute intensive speed	yes
seamless welded chimney	yes
15 minute auto shut off	yes
Remote Control Option	yes- Purchase separately
ADA compliant	yes - with remote control
fixed wiring box	yes

DIMENSIONS



PERFORMANCE

SPEED	1	2	3	BOOST
CFM	150	295	395	560
Sones	2.8	4.3	6.0	7.5

ACCESSORIES

FILTER2 -

Charcoal Filter Kit

High quality charcoal filter for use when recirculating the air back into the kitchen. Filters out odor and should be replaced every 6 months.

HIGH2 -

High Ceiling Chimney Kit

Extends the island chimney for high ceilings.

DUCT2 -

Ductless Conversion Kit

Includes: Lower chimney with holes for ducting, ductless diverter assembly, vent grates and charcoal filter.

MUDAMPER6 / MUDAMPER8 -

Universal Make-Up Air Damper

satisfies make-up air requirements, this kit uses an air switch to activate the make-up air damper to open and bring fresh air into the home when the hood fan is on. It then closes tightly when the hood is off. The CFM level is not reduced with this accessory.

MESH3 - (36" OR 42")

Mesh Filter Kit

Change baffle grease filters to mesh grease filters.

REMCTRL2 -

Remote Control

Control all features of the hood from the convenience of a ADA compliant wireless remote control.

WARNING! Product specifications are subject to change without notification. Consult the installation instructions before you begin installing this range hood. * Check local make up air codes for guidelines.

