

DGC 7860 XXL - Obsidian Black 24" Combi-Steam Oven - PureLine and VitroLine

Features:

- Combi-Steam Ovens: Steam ovens with full fledged oven function
- XXL Cooking Compartment - Large enough to cook complete menus for up to 10 people
- Lift up panel - conveniently stores the water containers
- WifiConn@ct - Monitor appliances from your mobile device
- Dual Steam - quickly and evenly distribute steam for perfect cooking results
- M-Touch Display with Motion React - Simple to use touch controls that react when approached
- Roast Probe - Precise temperature control of food
- Mix & Match - use your Miele@home app or the appliance to create recipes for full meals

Included:

- 1 Universal Tray with Perfect Clean
- 1 Wire rack with Perfect Clean
- 1 pair FlexiClip runners with Perfect Clean
- 2 perforated stainless steel containers
- 1 solid stainless steel container

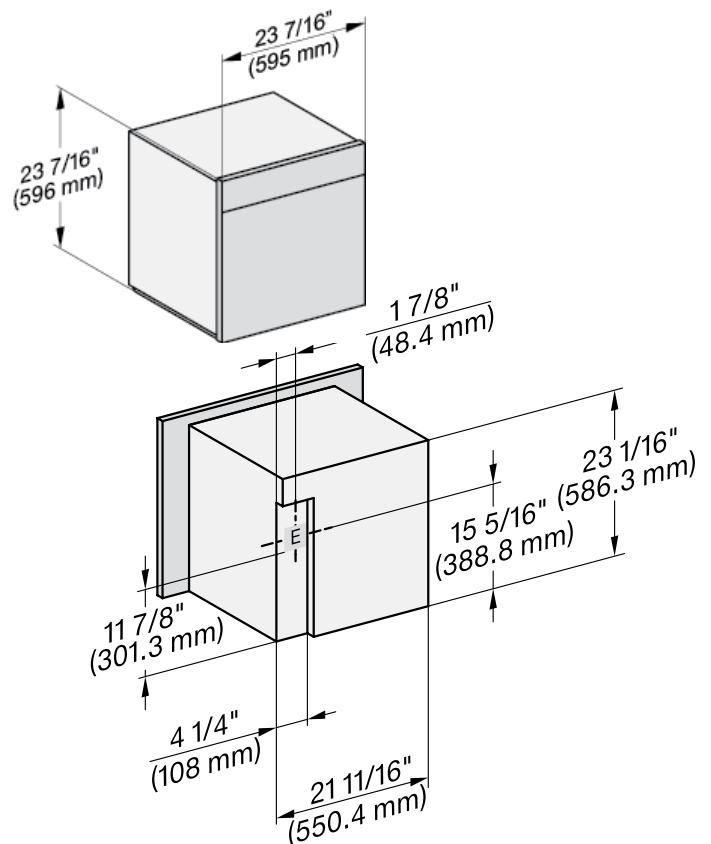


MATERIAL

11877000

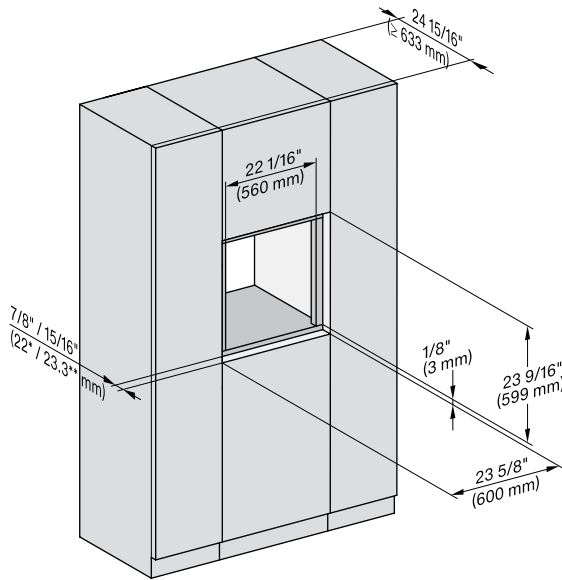
SPECIFICATIONS	
Overall Unit Dimensions	23 ⁷ / ₁₆ " (595 mm) W x 23 ⁷ / ₁₆ " (596 mm) H x 23 ¹ / ₄ " (590 mm) D
Niche	
Minimum Cabinet Niche Opening	22 ¹ / ₂ " (562 mm) W x 23 ¹ / ₄ " (590 mm) H x 24" (610 mm) D
Electrical	
Electrical Requirements	208 - 240V, 60Hz, 20 Amps
Power Cord	NEMA 6-20 plug, 5 ft (1.52 m)
Shipping	
Shipping Weight	?? lbs (?? kg)
Shipping Dimensions	28 ⁷ / ₈ " (733 mm) W x 28 ³ / ₈ " (721 mm) H x 26 ⁵ / ₈ " (676 mm) D

PRODUCT DIMENSIONS

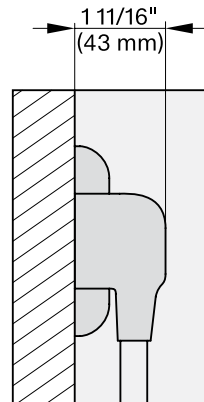
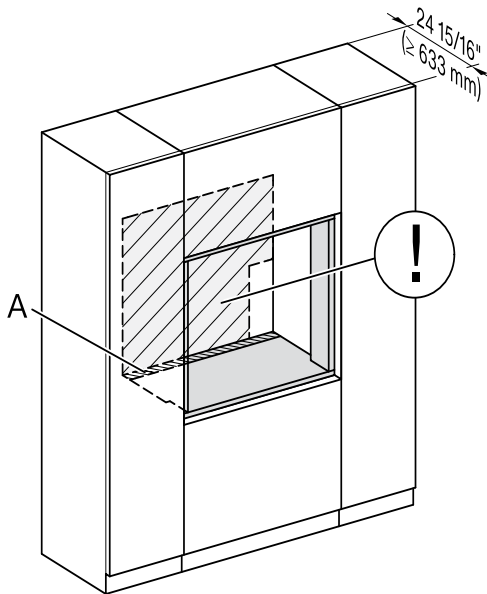
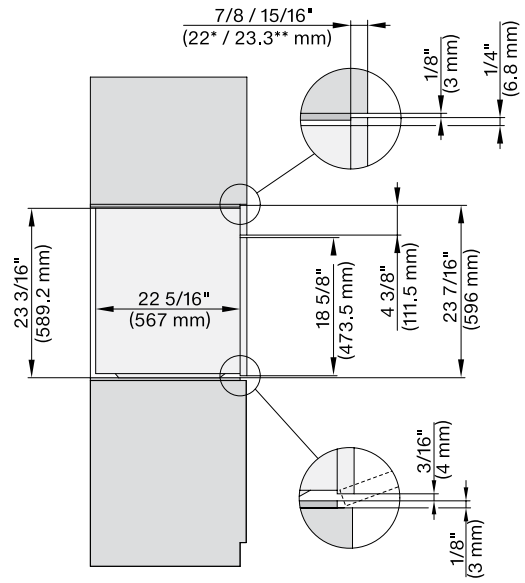


FLUSH CUTOUT DIMENSIONS

Front View



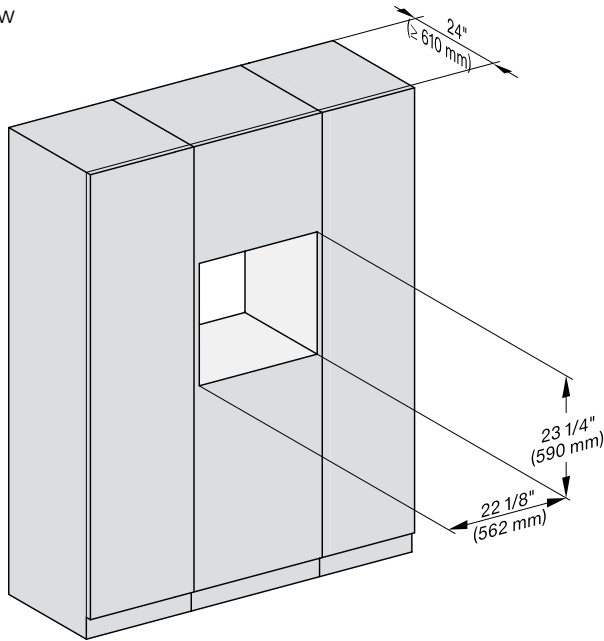
Side View



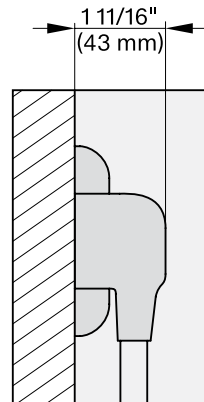
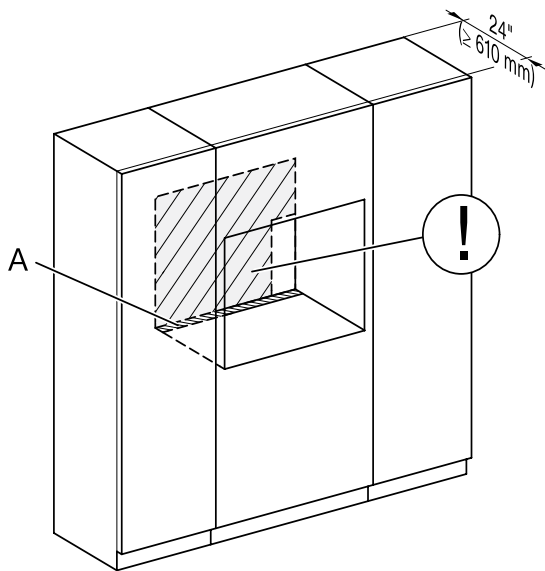
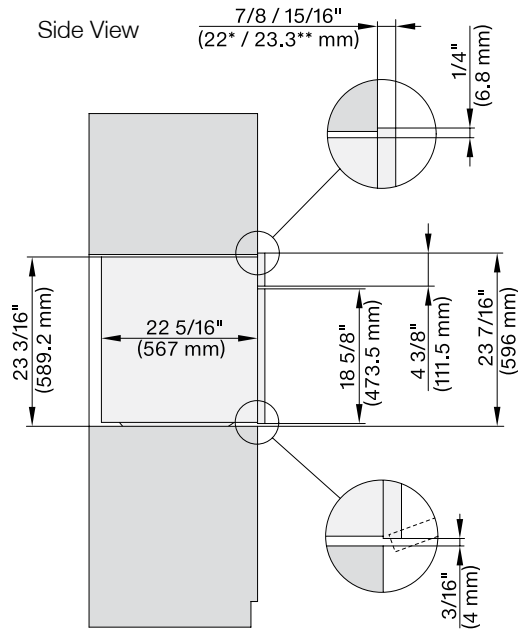
- A - Cut-out (4" x 28" [100 mm x 720 mm]) in the bottom of the cabinet for the power cord and Ventilation
- ⓘ - Electrical and water supplies are recommended to be placed in adjacent cabinetry.
Additional cabinet depth is required when placing the electrical and water supplies behind the appliance.

PROUD CUTOUT DIMENSIONS

Front View



Side View



A - Cut-out (4" x 28" [100 mm x 720 mm]) in the bottom of the cabinet for the power cord and Ventilation

ⓘ - Electrical and water supplies are recommended to be placed in adjacent cabinetry.

Additional cabinet depth is required when placing the electrical and water supplies behind the appliance.