

## DGC 7880 XXL - Graphite Grey 30" Combi-Steam Oven - VitroLine

### Features:

- Combi-Steam Ovens: Steam ovens with full fledged oven function
- XXL Cooking Compartment - Large enough to cook complete menus for up to 10 people
- Lift up panel - conveniently stores the water containers
- M-Touch Display with Motion React - Simple to use touch controls that react when approached
- Roast Probe - Precise temperature control of food
- Mix & Match - use your Miele@home app or the WiFi enabled appliance to create recipes for full meals

### Included:

- 1 Universal Tray with Perfect Clean
- 1 Wire rack with Perfect Clean
- 1 pair FlexiClip runners with Perfect Clean
- 2 perforated stainless steel containers
- 1 solid stainless steel container

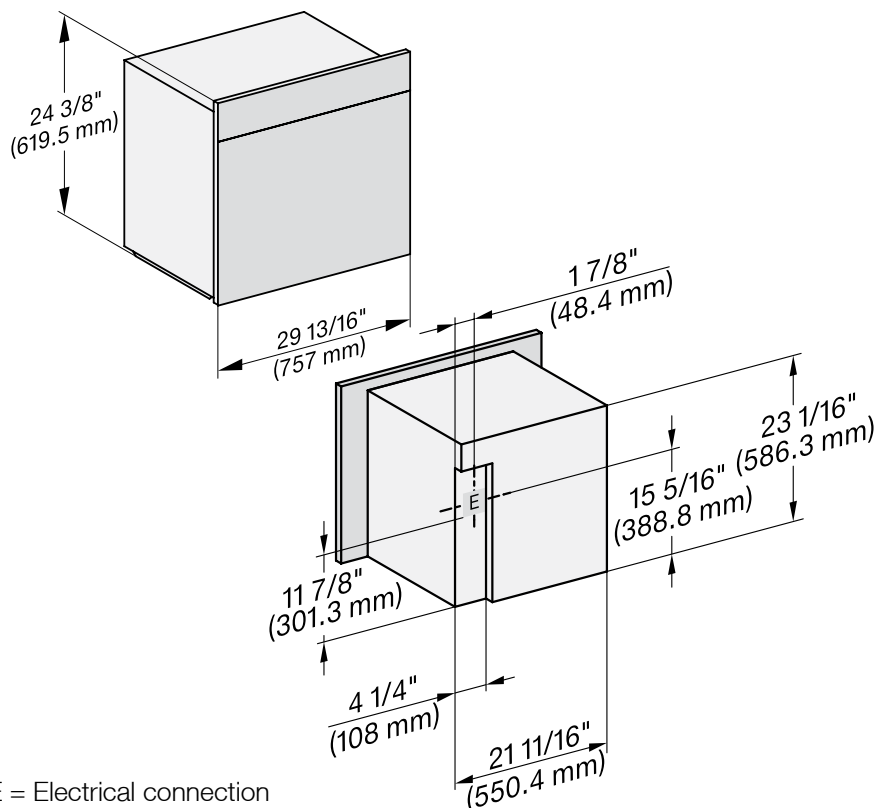


### MATERIAL #

11876370

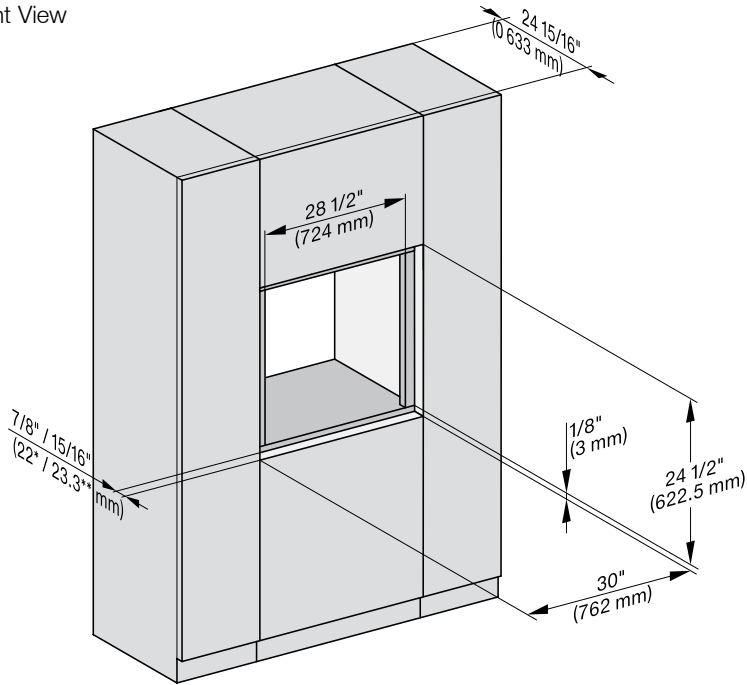
SPECIFICATIONS	
Overall Unit Dimensions	29 <sup>13</sup> / <sub>16</sub> " (757 mm) W x 24 <sup>3</sup> / <sub>8</sub> " (619.5 mm) H x 23 <sup>1</sup> / <sub>8</sub> " (587 mm) D
Niche	
Minimum Cabinet Niche Opening	28 <sup>1</sup> / <sub>2</sub> " (724 mm) W x 24" (610 mm) H x 24" (610 mm) D
Electrical	
Electrical Requirements	208 - 240V, 60Hz, 20 Amps
Power Cord	NEMA 6-20 plug, 5 ft (1.52 m)
Shipping	
Shipping Weight	159 lbs (72 kg)
Shipping Dimensions	28 <sup>5</sup> / <sub>8</sub> " (726 mm) W x 29 <sup>1</sup> / <sub>4</sub> " (743 mm) H x 32 <sup>1</sup> / <sub>2</sub> " (825 mm) D

### PRODUCT DIMENSIONS

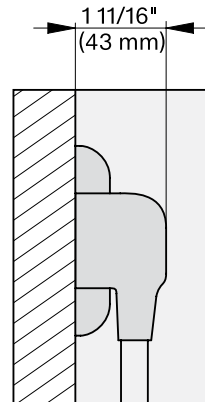
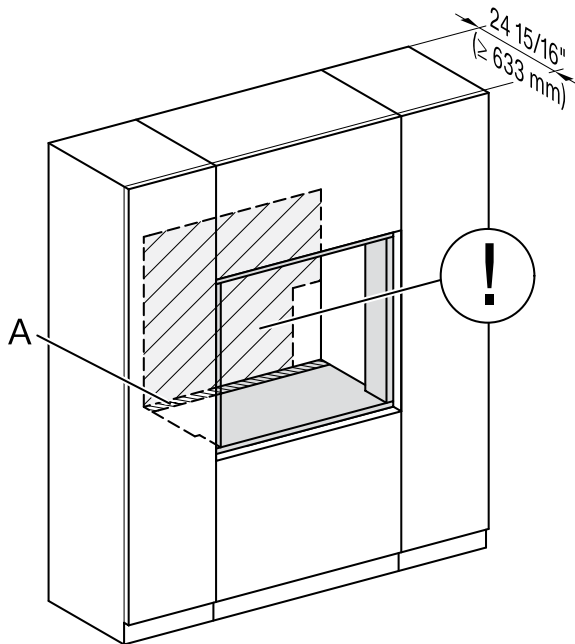
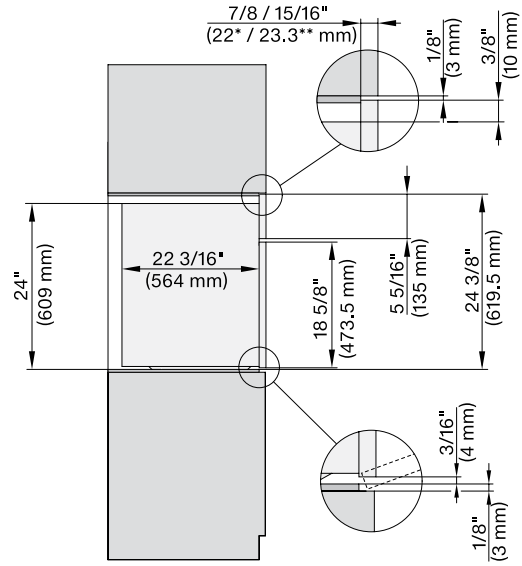


## FLUSH CUTOUT DIMENSIONS

Front View



Side View



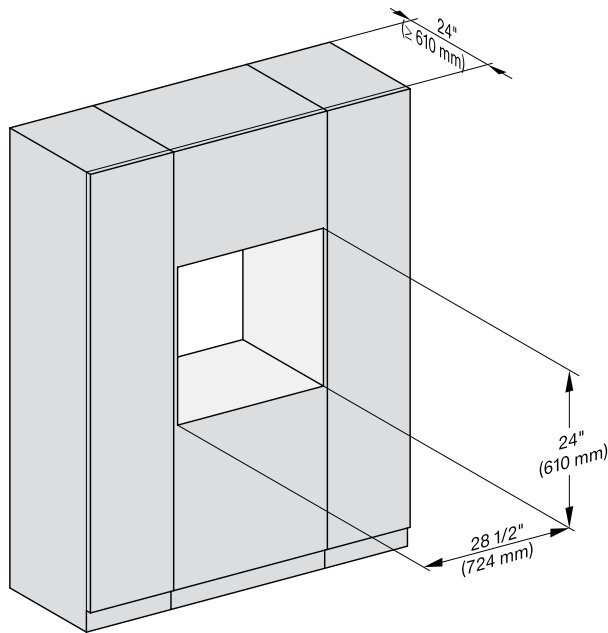
A - Cut-out (4" x 28" [100 mm x 720 mm]) in the bottom of the cabinet for the power cord and Ventilation

ⓘ - Electrical and water supplies are recommended to be placed in adjacent cabinetry.

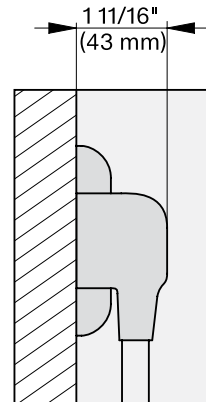
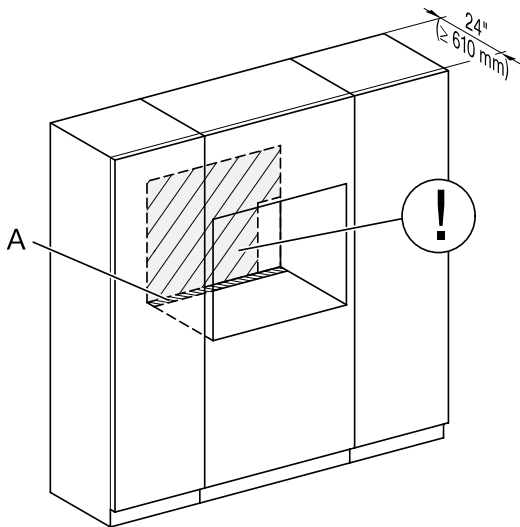
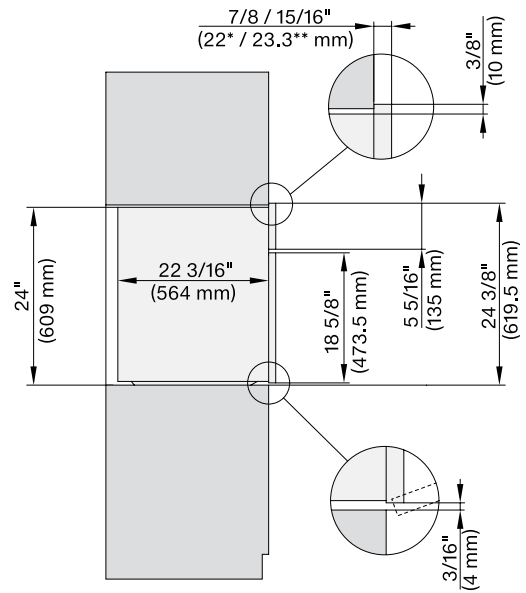
Additional cabinet depth is required when placing the electrical and water supplies behind the appliance.

## PROUD CUTOUT DIMENSIONS

Front View



Side View



A - Cut-out (4" x 28" [100 mm x 720 mm]) in the bottom of the cabinet for the power cord and Ventilation

⚠ - Electrical and water supplies are recommended to be placed in adjacent cabinetry.

Additional cabinet depth is required when placing the electrical and water supplies behind the appliance.